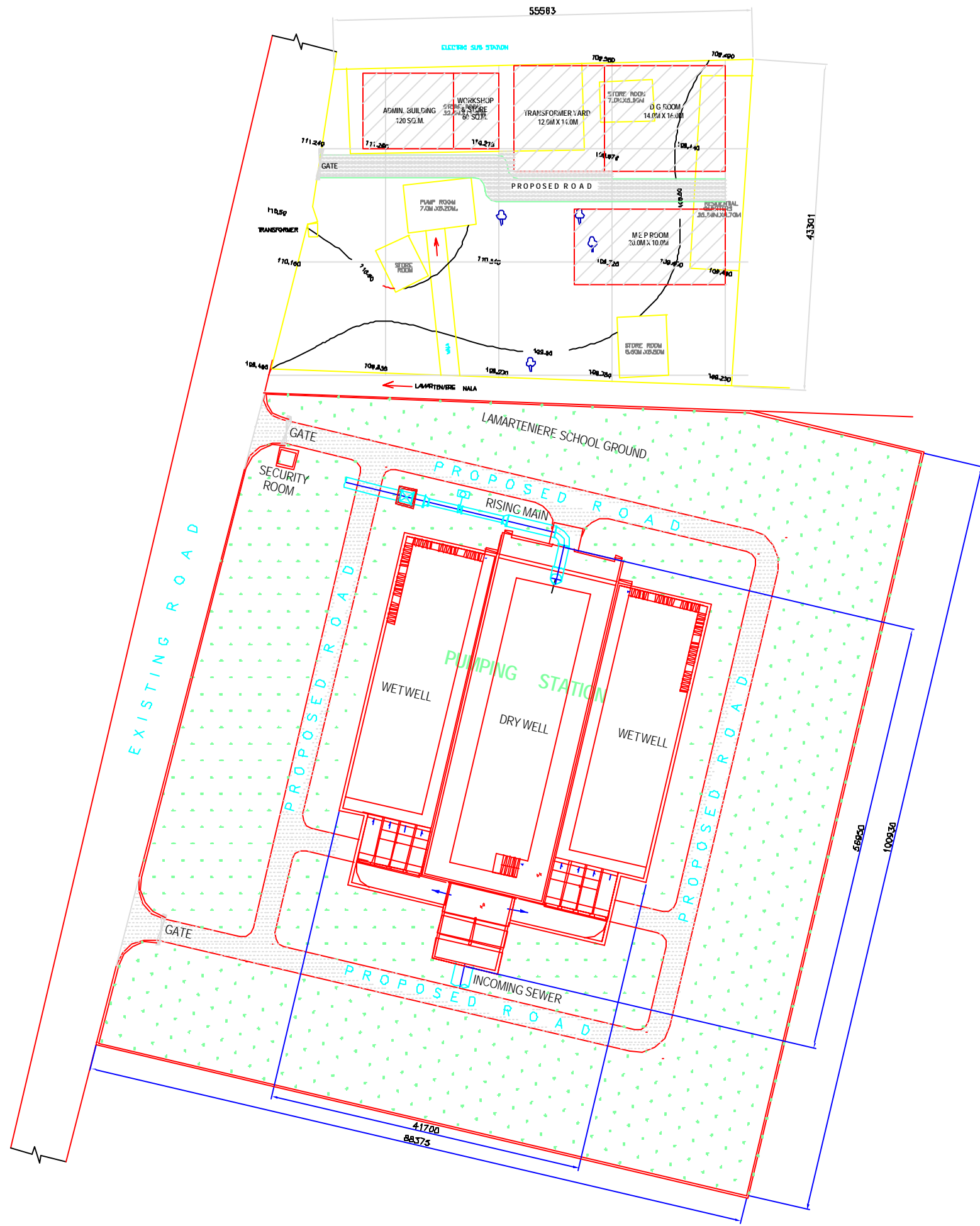




- NOTES:**
- 1) ALL LEVELS ARE IN METER.
 - 2) ALL DIMENSIONS ARE IN MM.
 - 3) PLEASE DO NOT SCALE THE DRAWING ONLY WRITTEN DIMENSIONS ARE TO BE FOLLOWED.



LEGEND:-

GREENBELT

INST.					
ELEC.					
MECH.					
STRU.					
CIVIL					
REV. NO.	0	1	2	3	4

REV.	DESCRIPTION OF REVISIONS	DATE	CHECKED

CHECKED BY:		APPROVED BY:	
SAURABH MISRA		V N SONTAKHE	
DRAWN	C K GAVKAR	SCALE	1 : 300
DESIGNED	P N PABREKAR	DATE	14-12-2004

CONSULTANTS:

JICA JAPAN INTERNATIONAL COOPERATION AGENCY

TOKYO ENGINEERING CONSULTANTS CO., LTD.

CTI ENGINEERING INTERNATIONAL CO., LTD.

M/S SAURABH MISRA PRAKASHI LIAISON

PROJECT:

THE STUDY ON WATER QUALITY MANAGEMENT PLAN FOR GANGA RIVER IN THE REPUBLIC OF INDIA

FEASIBILITY STUDY FOR LUCKNOW CITY

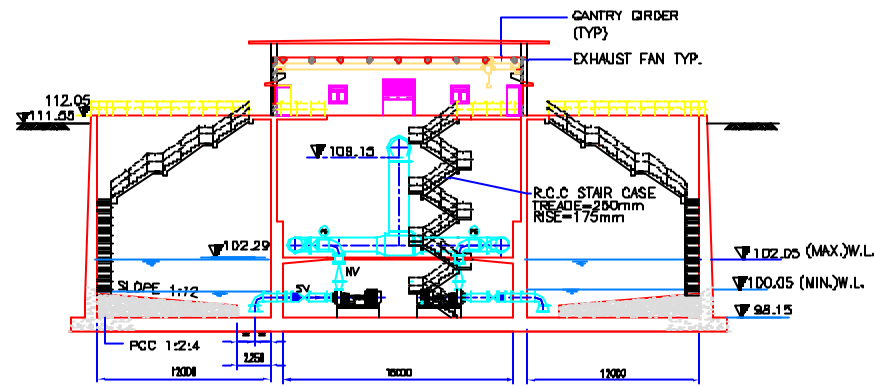
SHEET CONTENTS:

GENERAL LAYOUT OF MARTIN PURWA MAIN PUMPING STATION (SHEET 1/2)

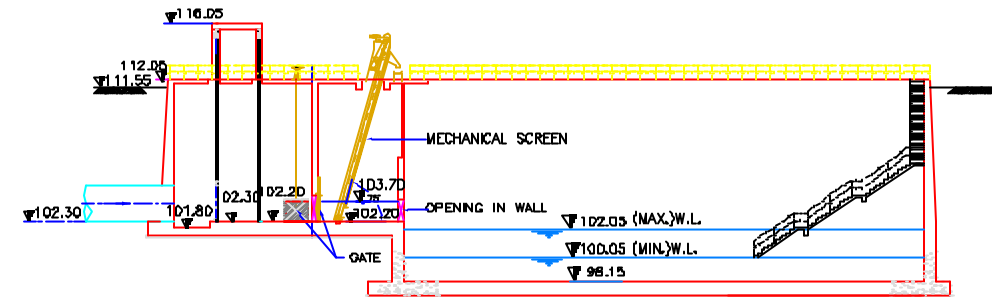
DRAWING NO.	SR. NO.
LKO-PS-MP-1	59



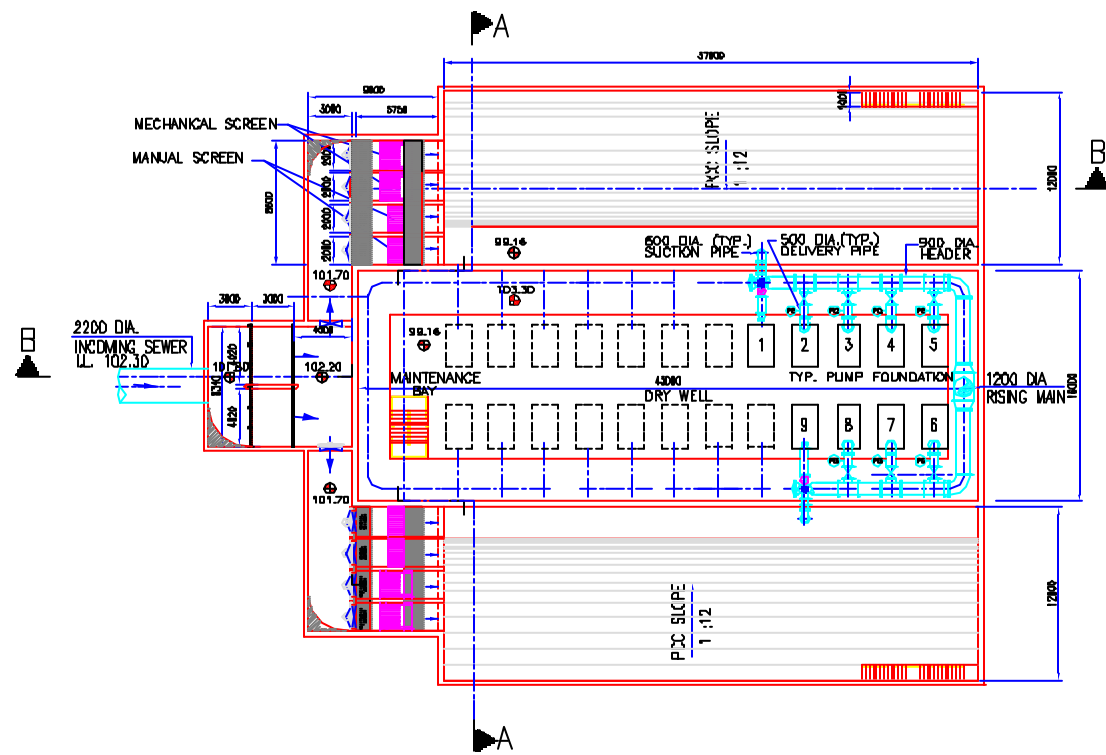
NOTES:
 1) ALL LEVELS ARE IN METER.
 2) ALL DIMENSIONS ARE IN MM.
 3) PLEASE DO NOT SCALE THE DRAWING ONLY WRITTEN DIMENSIONS ARE TO BE FOLLOWED.



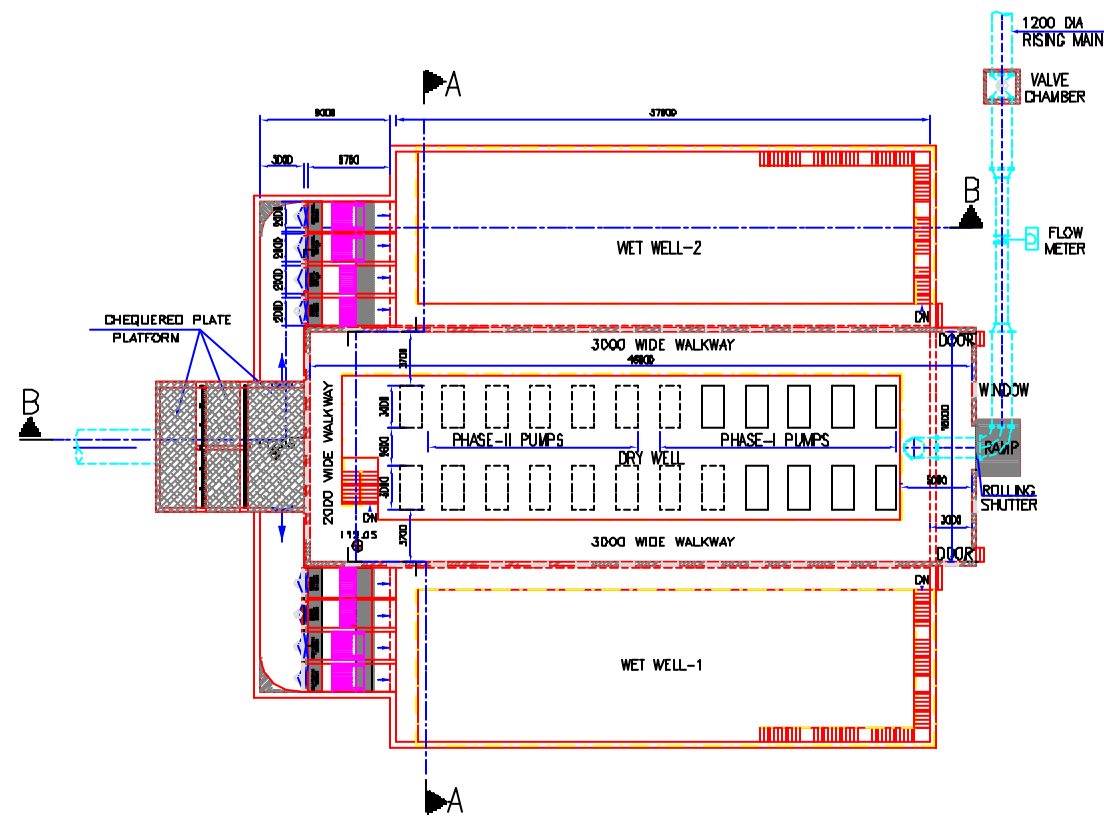
SECTION A-A



SECTION B-B



PLAN AT 106.50



PLAN AT PLINTH LEVEL

INST.					
ELCD.					
MECH.					
STRV.					
CIVL.					
REV NO.	0	1	2	3	4

REV.	DESCRIPTION OF REVISIONS	DATE	CHECKED
------	--------------------------	------	---------

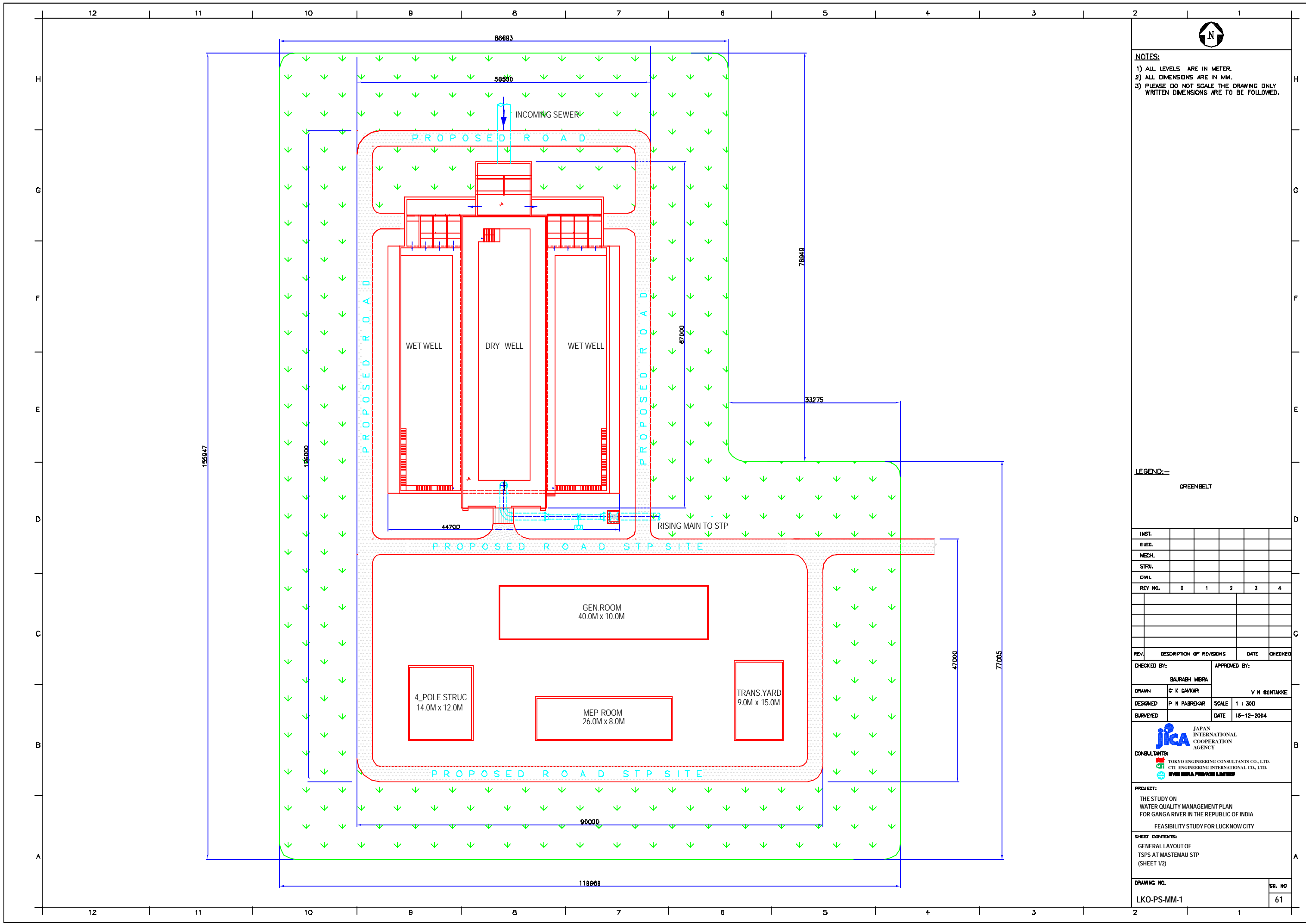
CHECKED BY:	APPROVED BY:
BAJRAH MSRA	Y N SONTAKKE
DRAWN:	C K GAVKAR
DESIGNED:	P N PABREKAR
BURVEYED:	
SCALE:	1 : 250
DATE:	14-12-2004

JICA JAPAN INTERNATIONAL COOPERATION AGENCY
 CONSULTANTS:
 TOKYO ENGINEERING CONSULTANTS CO., LTD.
 CTE ENGINEERING INTERNATIONAL CO., LTD.
 BAJRAH MSRA PUNE/VA LTD.

PROJECT:
 THE STUDY ON WATER QUALITY MANAGEMENT PLAN FOR GANGA RIVER IN THE REPUBLIC OF INDIA
 FEASIBILITY STUDY FOR LUCKNOW CITY

SHEET CONTENTS:
 GENERAL ARRANGEMENT OF MARTIN PURWA MAIN PUMPING STATION (SHEET 2/2)

DRAWING NO.	SR.NO.
LKO-PS-MP-2	60



NOTES:
 1) ALL LEVELS ARE IN METER.
 2) ALL DIMENSIONS ARE IN MM.
 3) PLEASE DO NOT SCALE THE DRAWING ONLY WRITTEN DIMENSIONS ARE TO BE FOLLOWED.

LEGEND:-
 GREENBELT

INST.					
ELEC.					
MECH.					
STRV.					
CIVL.					
REV. NO.	0	1	2	3	4

REV.	DESCRIPTION OF REVISIONS	DATE	CHECKED

CHECKED BY:		APPROVED BY:	
SAURABH MISRA		V N SONTAKE	
DRAWN	C K CAKAR	SCALE	1 : 300
DESIGNED	P N PABREKAR	DATE	18-12-2004

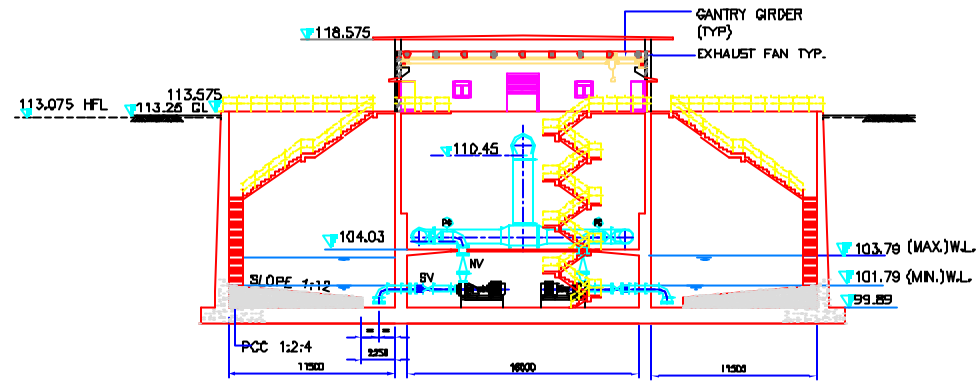
JICA JAPAN INTERNATIONAL COOPERATION AGENCY
CONSULTANTS:
 TOKYO ENGINEERING CONSULTANTS CO., LTD.
 CTE ENGINEERING INTERNATIONAL CO., LTD.
 M/S SAURABH MISRA PRAKASH LIMITED

PROJECT:
 THE STUDY ON WATER QUALITY MANAGEMENT PLAN FOR GANGA RIVER IN THE REPUBLIC OF INDIA
 FEASIBILITY STUDY FOR LUCKNOW CITY

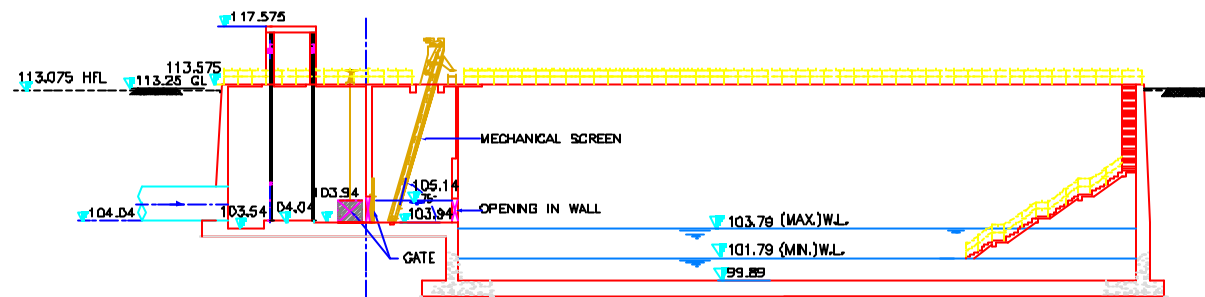
SHEET CONTENTS:
 GENERAL LAYOUT OF TSPS AT MASTEMA STP (SHEET 1/2)



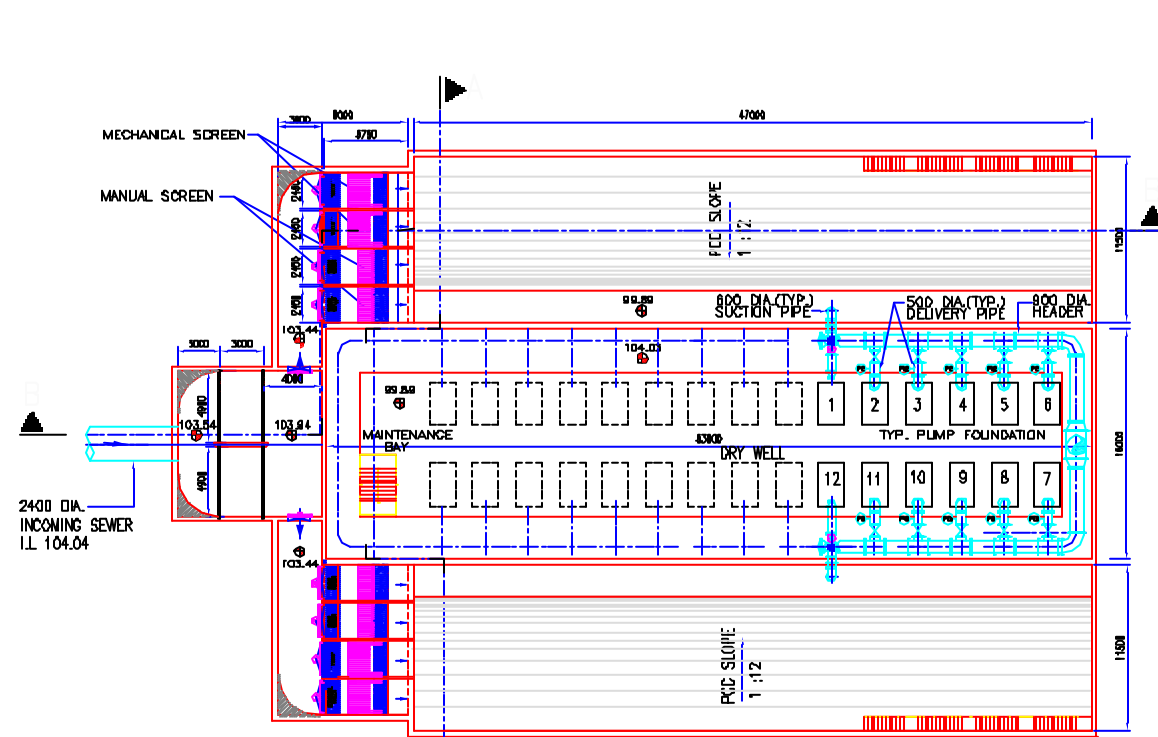
- NOTES:
- 1) ALL LEVELS ARE IN METER.
 - 2) ALL DIMENSIONS ARE IN MM.
 - 3) PLEASE DO NOT SCALE THE DRAWING ONLY WRITTEN DIMENSIONS ARE TO BE FOLLOWED.



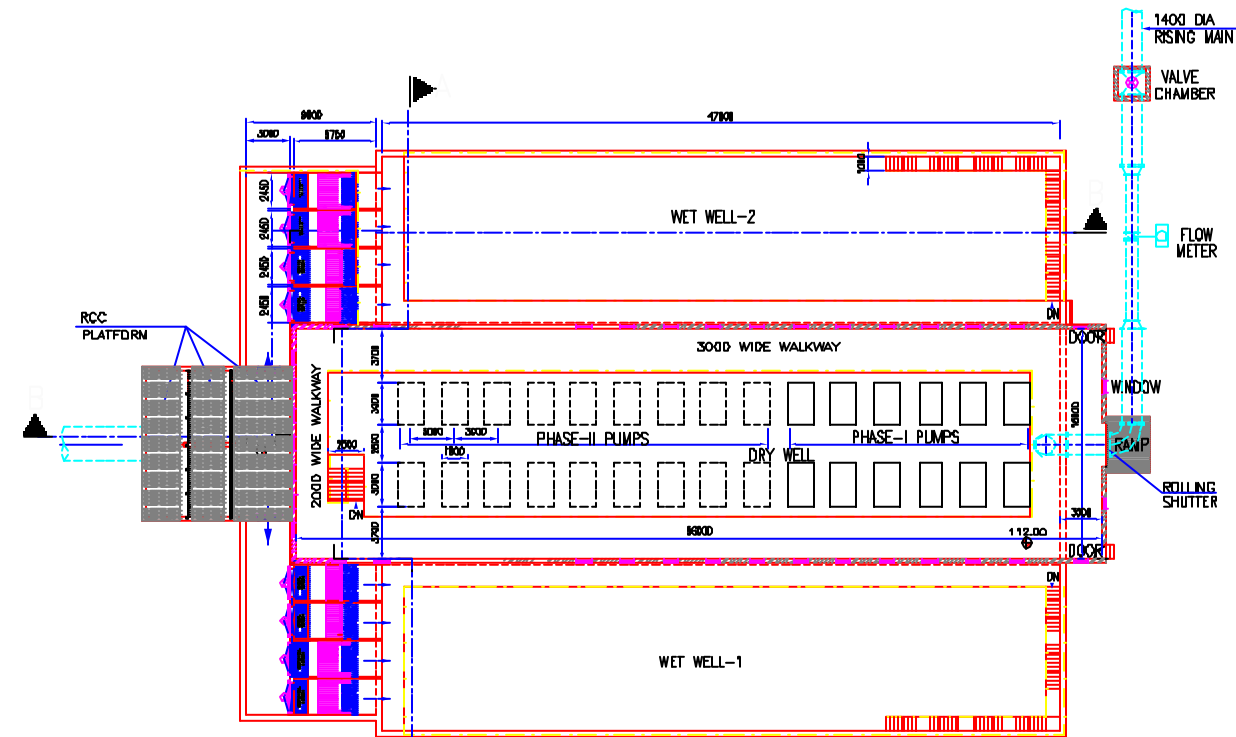
SECTION A-A



SECTION B-B



PLAN AT 107.50



PLAN AT PUMP LEVEL

INST.					
ELED.					
MECH.					
STR.					
CWL					
REV. NO.	0	1	2	3	4

REV.	DESCRIPTION OF REVISIONS	DATE	CHECKED

CHECKED BY:		APPROVED BY:	
SAURABH MISRA		V N SONTAKAR	
DRAWN	C K CAKVAR	SCALE	1 : 250
DESIGNED	P N PABREKAR	DATE	18-12-2004
BURVEYED			

JICA JAPAN INTERNATIONAL COOPERATION AGENCY

CONSULTANTS:

- TOKYO ENGINEERING CONSULTANTS CO., LTD.
- CTI ENGINEERING INTERNATIONAL CO., LTD.
- SHYAM SINGH PRIVATE LIMITED

PROJECT:

THE STUDY ON WATER QUALITY MANAGEMENT PLAN FOR GANGA RIVER IN THE REPUBLIC OF INDIA

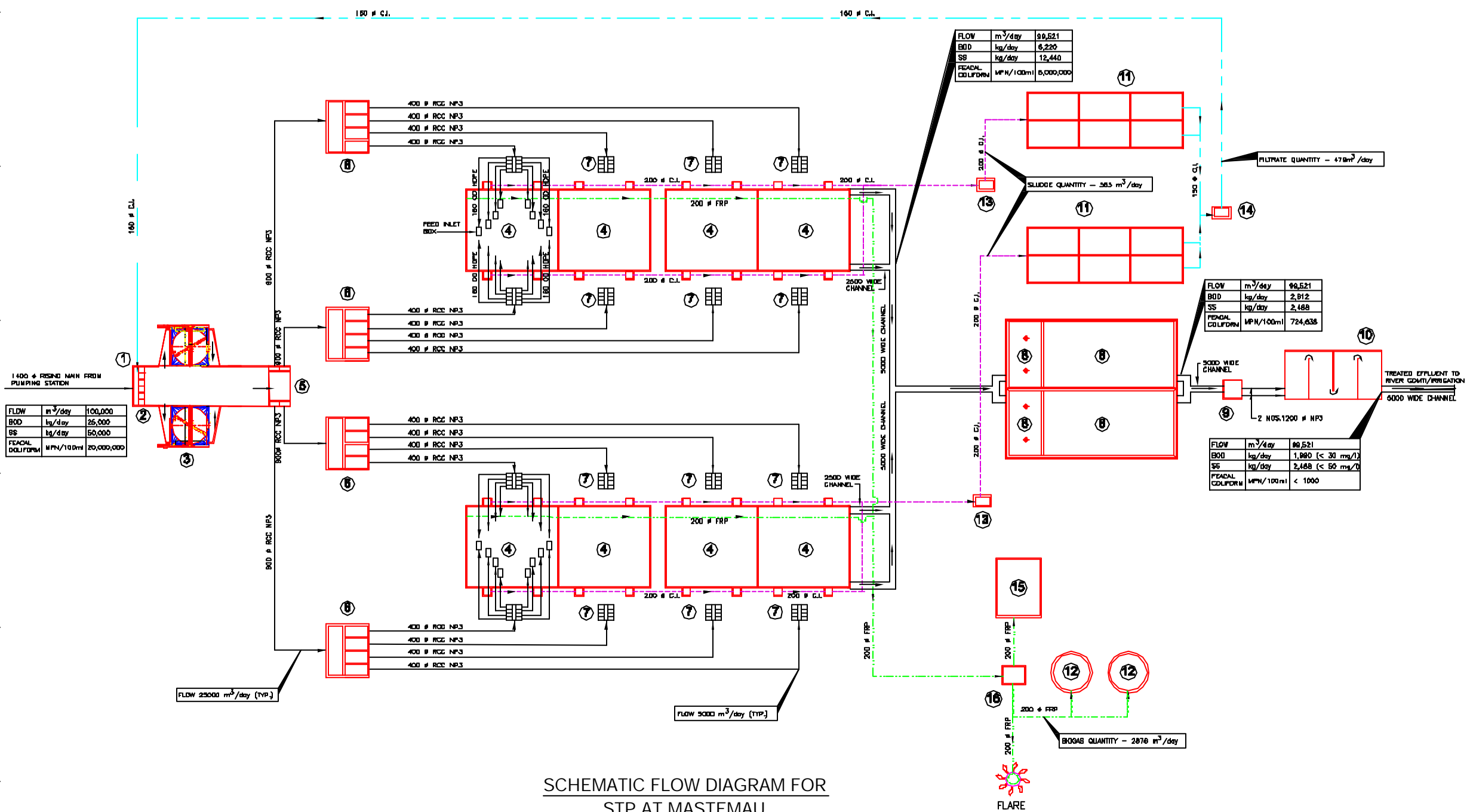
FEASIBILITY STUDY FOR LUCKNOW CITY

SHEET CONTENTS:

GENERAL ARRANGEMENT OF TSPS AT MASTEMAU STP (SHEET 2/2)

DRAWING NO.	SR. NO.
LKO-PS-MM-2	62

**SCHEMATIC FLOW DIAGRAM FOR
STP AT MASTEMAU
(PHASE-I, CAPACITY-100MLD)**



FLOW	m ³ /day	100,000
BOD	kg/day	25,000
SS	kg/day	50,000
FECAL COLIFORM	MFN/100ml	20,000,000

FLOW	m ³ /day	99,521
BOD	kg/day	6,220
SS	kg/day	12,440
FECAL COLIFORM	MFN/100ml	5,000,000

FLOW	m ³ /day	99,521
BOD	kg/day	2,812
SS	kg/day	2,488
FECAL COLIFORM	MFN/100ml	724,638

FLOW	m ³ /day	89,521
BOD	kg/day	1,980 (< 30 mg/l)
SS	kg/day	2,488 (< 50 mg/l)
FECAL COLIFORM	MFN/100ml	< 1000

LEGEND
 — WASTEWATER LINE
 - - - GAS LINE
 - - - SLUDGE LINE
 - - - FILTRATE LINE

INST.					
ELED.					
MECH.					
STRU.					
CIVL.					
REV. NO.	0	1	2	3	4

REV.	DESCRIPTION OF REVISIONS	DATE	CHECKED

CHECKED BY:	SAURABH MISRA	APPROVED BY:	V.N. SONTAKKE
DRAWN:	KARSHANS	SCALE:	-
DESIGNED:	SAURABH MISRA	DATE:	17-12-04
SURVEYED:	-		

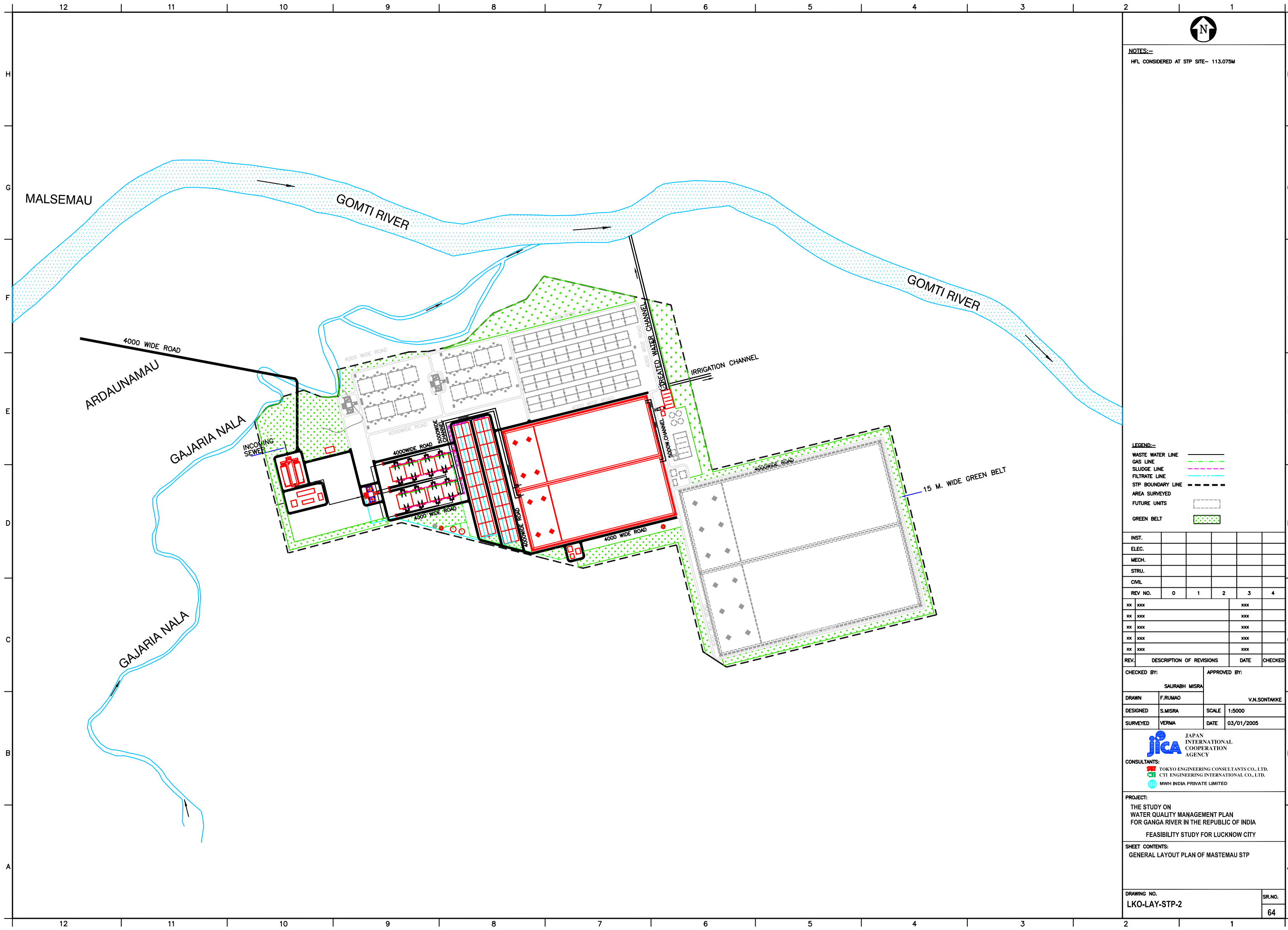
JICA JAPAN INTERNATIONAL COOPERATION AGENCY
 CONSULTANTS:
 TOKYO ENGINEERING CONSULTANTS CO., LTD.
 C.T.I. ENGINEERING INTERNATIONAL CO., LTD.
 M/S SAURABH MISRA PRIVATE LIMITED

PROJECT:
 THE STUDY ON WATER QUALITY MANAGEMENT PLAN FOR GANGA RIVER IN THE REPUBLIC OF INDIA
 FEASIBILITY STUDY FOR LUCKNOW CITY

SHEET CONTENTS:
 SCHEMATIC FLOW DIAGRAM OF MASTEMAU STP

LEGEND

SR.NO.	UNITS	SR.NO.	UNITS
1	INLET CHAMBER	9	CHLORINE MIXING TANK
2	SCREEN CHANNEL	10	CHLORINE CONTACT TANK
3	GRIT CHAMBER	11	SLUDGE DRYING BEDS
4	UASB REACTOR	12	GAS HOLDER
5	DIVISION BOX-1	13	SLUDGE PUMPING STATION
6	DIVISION BOX-2	14	FILTRATE PUMPING STATION
7	DISTRIBUTION BOX	15	GENERATING ROOM
8	FACULTATIVE AERATED LAGOON	16	VALVE CHAMBER



NOTES:-
HFL CONSIDERED AT STP SITE- 113.075M

LEGEND:-

WASTE WATER LINE	— (solid black)
GAS LINE	— (dashed green)
SLUDGE LINE	— (dashed red)
FILTRATE LINE	— (dashed blue)
STP BOUNDARY LINE	- - - (dashed black)
AREA SURVEYED	- - - - (dashed grey)
FUTURE UNITS	□ (dotted grey)
GREEN BELT	■ (dotted green)

INST.					
ELEC.					
MECH.					
STRU.					
CIVIL					
REV. NO.	0	1	2	3	4
xx xxx				xxx	
xx xxx				xxx	
xx xxx				xxx	
xx xxx				xxx	
xx xxx				xxx	
REV.	DESCRIPTION OF REVISIONS			DATE	CHECKED

CHECKED BY:		APPROVED BY:	
SAURABH MISRA		Y.N.SONTAKKE	
DRAWN	F.RUMAO	SCALE	1:5000
DESIGNED	S.MISRA	DATE	03/01/2005
SURVEYED	VERMA		

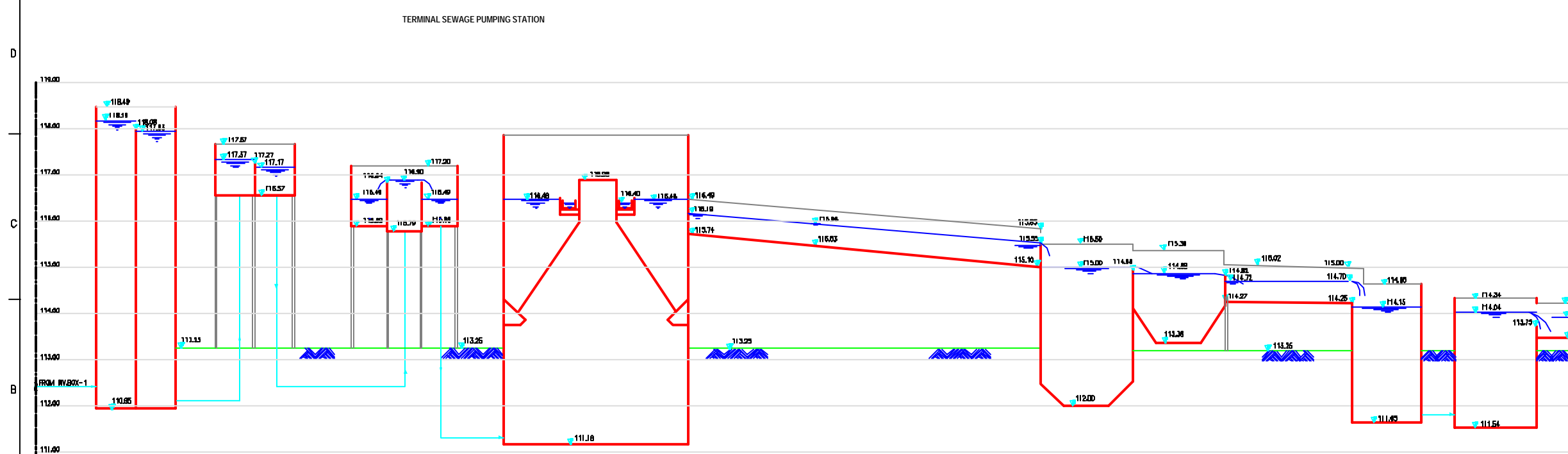
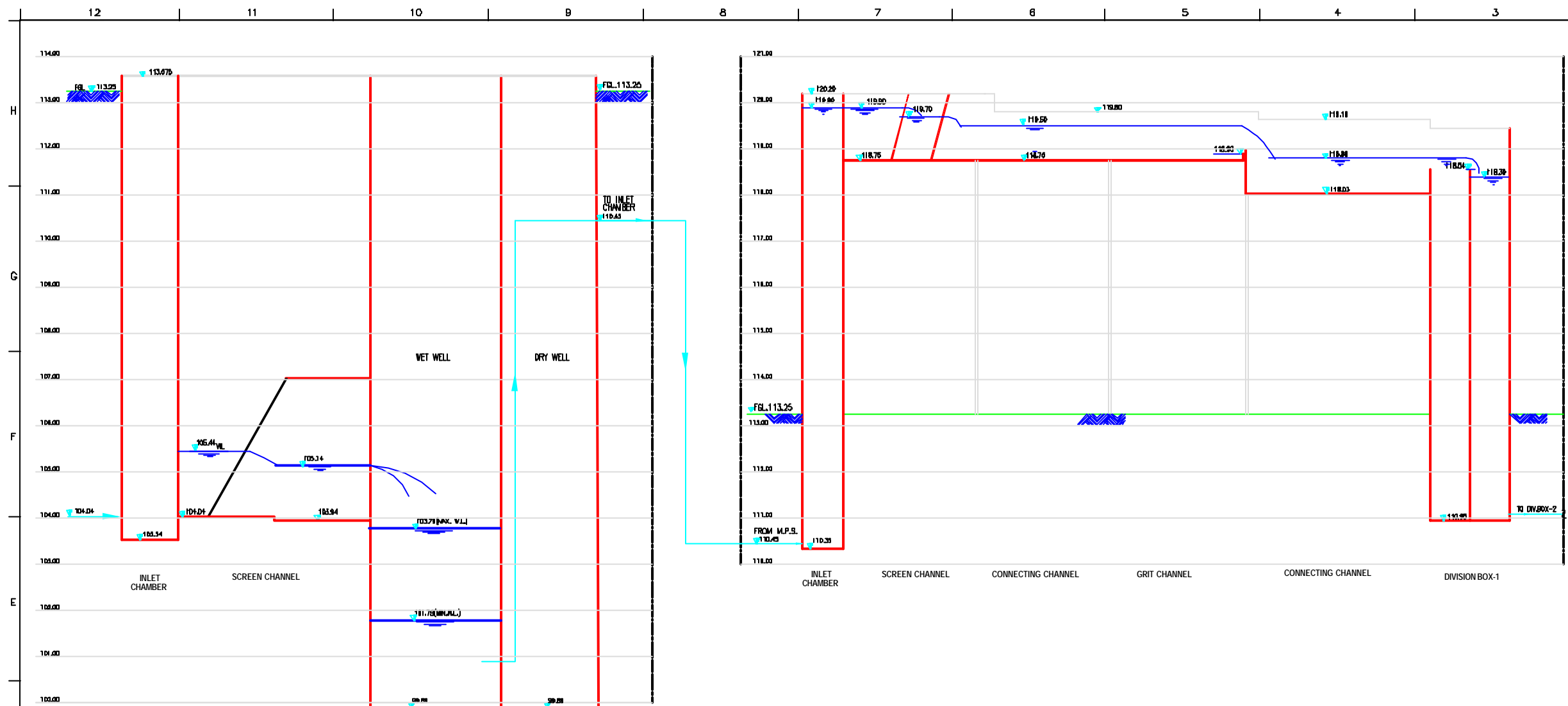
CONSULTANTS:

JICA JAPAN INTERNATIONAL COOPERATION AGENCY

TEC TOKYO ENGINEERING CONSULTANTS CO.,LTD.
CTI CTI ENGINEERING INTERNATIONAL CO.,LTD.
MWH MWH INDIA PRIVATE LIMITED

PROJECT:
THE STUDY ON WATER QUALITY MANAGEMENT PLAN FOR GANGA RIVER IN THE REPUBLIC OF INDIA
FEASIBILITY STUDY FOR LUCKNOW CITY

SHEET CONTENTS:
GENERAL LAYOUT PLAN OF MASTEMAU STP



**HYDRAULIC FLOW DIAGRAM FOR
STP AT MASTEMAU
(PHASE-I, CAPACITY-100 MLD)**

NOTES:
 1) HFL AT STP SITE 113.075 M.
 2) DRAWING IN HORIZONTAL IS NOT TO SCALE . ONLY DRAWING IN VERTICAL IS DRAWN AS PER THE SPECIFIED SCALE.

INST.					
ELEC.					
MECH.					
STRU.					
CIVL					
REV. NO.	0	1	2	3	4

REV.	DESCRIPTION OF REVISIONS	DATE	CHECKED

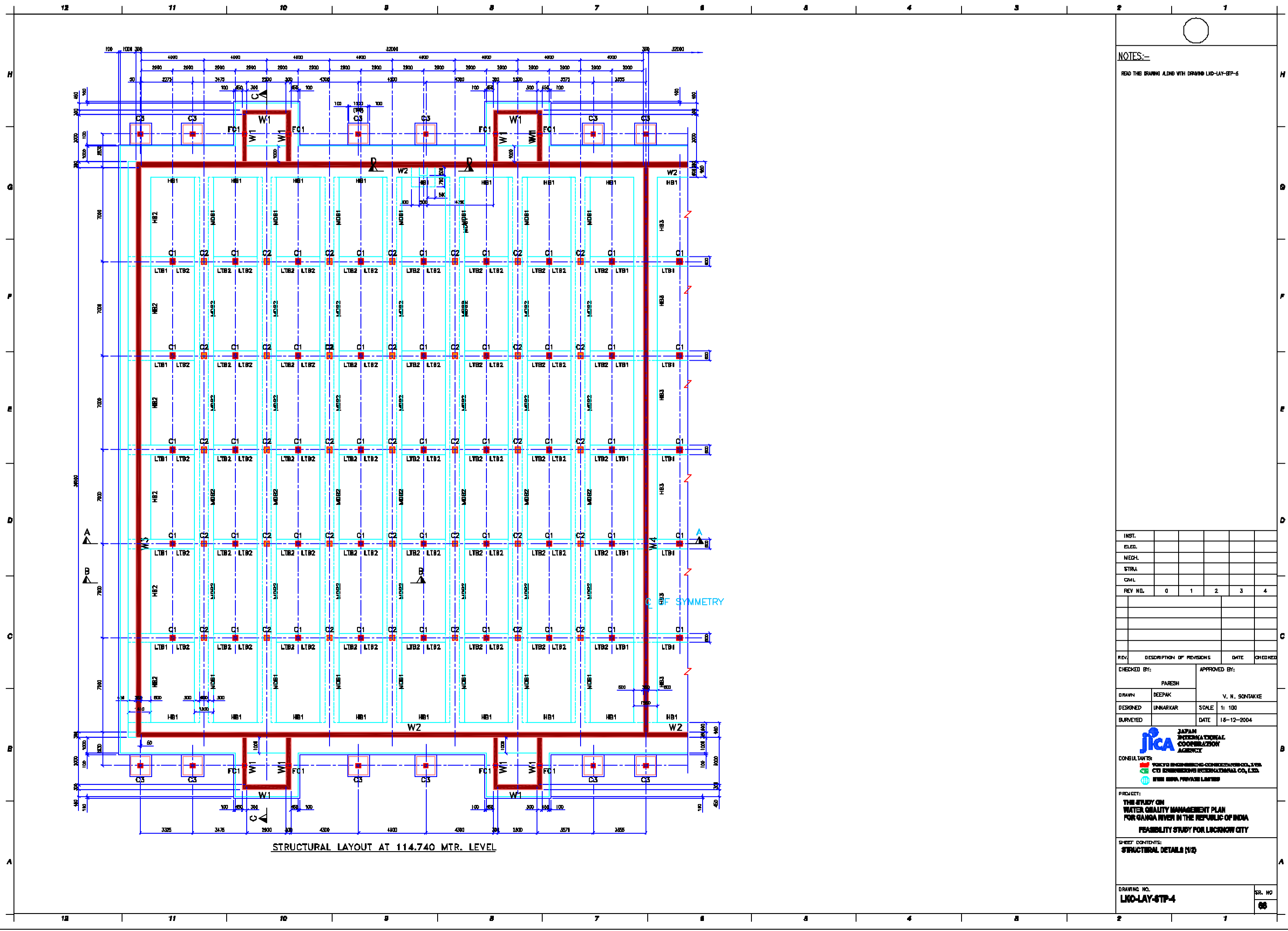
CHECKED BY:	APPROVED BY:
BAURABH MISRA	V N SONTAKKE
DRAWN:	SCALE:
GROHAR GAWKAR	VER 1:50, HOR - NTS
DESIGNED:	DATE:
SAURABH MISRA	17-12-2014

JICA JAPAN INTERNATIONAL COOPERATION AGENCY
CONSULTANTS:
 TOKYO ENGINEERING CONSULTANTS CO., LTD.
 CTI ENGINEERING INTERNATIONAL CO., LTD.
 M/S SAURABH MISRA PRIVATE LIMITED

PROJECT:
 THE STUDY ON WATER QUALITY MANAGEMENT PLAN FOR GANGA RIVER IN THE REPUBLIC OF INDIA
 FEASIBILITY STUDY FOR LUCKNOW CITY

SHEET CONTENTS:
 HYDRAULIC FLOW DIAGRAM OF MASTEMAU STP

DRAWING NO. LKO-LAY-STP-3	SER. NO. 65
-------------------------------------	-----------------------



NOTES:-
 READ THE DRAWING ALONG WITH DRAWING LKO-LAY-8TP-5

INST.					
ELED.					
MED-L					
STR.					
CIVL					
REV. NO.	0	1	2	3	4

REV.	DESCRIPTION OF REVISIONS	DATE	CHECKED

CHECKED BY:		APPROVED BY:	
PARESH		V. N. SONTAKKE	
DRAWN	DEEPAK	SCALE	1: 100
DESIGNED	UNNANKAR	DATE	1.5-12-2004
 JAPAN INTERNATIONAL COOPERATION AGENCY			

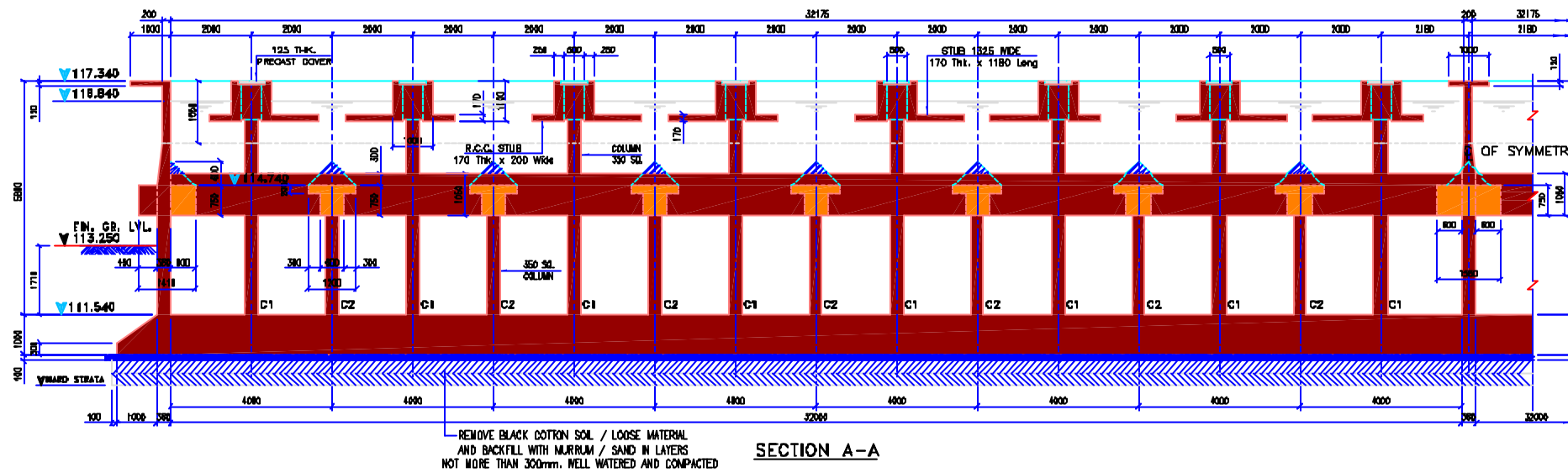
CONSULTANTS:
 TOKYO ENGINEERING & CONSULTING SERVICES, LTD.
 CTE INTERNATIONAL CO., LTD.
 M&P PRIVATE LIMITED

PROJECT:
 THE STUDY ON
 WATER QUALITY MANAGEMENT PLAN
 FOR GANGA RIVER IN THE REPUBLIC OF INDIA
FEASIBILITY STUDY FOR LUCKNOW CITY

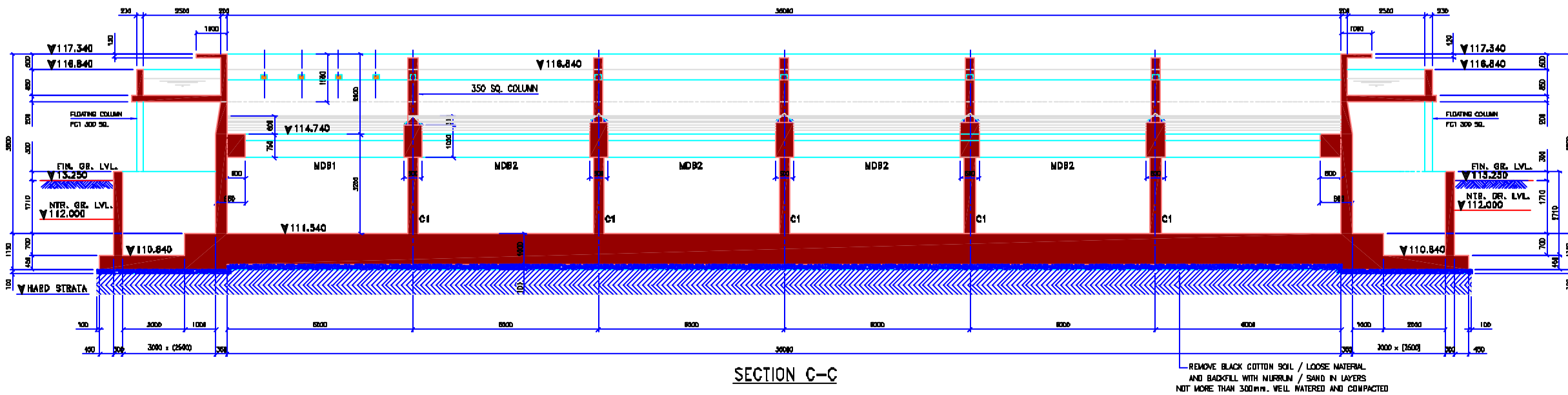
SHEET CONTENTS:
 STRUCTURAL DETAILS (1/2)

DRAWING NO.
LKO-LAY-8TP-4

SR. NO
06



SECTION A-A



SECTION C-C

NOTES:-

- ALL DIMENSIONS ARE IN MILLIMETERS AND LEVELS ARE IN METERS.
- GRADE OF CONCRETE M25 WITH MINIMUM CEMENT CONTENT = 410 Kg/Dm³.
- GRADE OF P.F.C.C. M10.
- NET S.B.C. OF SOIL ASSUMED AT 15 T/SQ. M. AT 2 MTR. BELOW FIN. GR. LVL.
- Ø DENOTES HIGH YIELD STRENGTH DEFORMED BARS CONFORMING TO IS-1786 (Fe 415).
- REINFORCEMENT, IF REQUIRED, SHALL BE MARGINALLY SHIFTED OR BENT TO CLEAR OPENING ETC. BUT IN NO CASE SHALL BE CUT WITHOUT PRIOR APPROVAL OF ENGINEER.
- CLEAR COVER TO MAIN REINF. SHALL BE AS FOLLOWS:
 - 1) SLAB : 20mm
 - 2) BEAM : 40mm
 - 3) COLUMN AND PEDESTAL : 40mm
 - 4) LIQUID RETAINING STRUCTURE : 40mm
 - 5) FOOTING : 50mm
- REINFORCEMENT SHALL BE SPLICED AS SHOWN IN THE DRAWING. REINFORCEMENT WHERE SPLICES SHALL HAVE A LAP OF 50 TIMES DIAMETER OF SMALLER BAR.
- BEFORE STARTING FRESH CONCRETE, CLEAN THE CONSTRUCTION JOINT THOROUGHLY AND PUT CEMENT SLURRY AT THE JOINTS AND FRESH CONCRETE IN THE STARTING LAYER.
- PROVIDE 230 WIDE x 8mm TSK PVC WATER BARS AT CONSTRUCTION JOINT AS PER IS 3370.
- HYDRO TEST FOR THE STRUCTURE SHALL BE CARRIED OUT AS INDICATED IN IS-3370 (PART-I) CLAUSE NO. 10.
- BACKFILL SHALL BE DONE IN UNIFORM LAYERS ALL AROUND THE STRUCTURES.
- AVERAGE SOFT OR LOOSE STRATUM NET WITH UNDER FOUNDATION, BASE SLAB ETC. SHALL BE EXCAVATED AND MADE GOOD WITH LEAN CONCRETE OF GRADE M10 WITH PRIOR APPROVAL OF THE ENGINEER.
- ALL EMBEDMENTS/PIEDMENTS SHALL BE PLACED TO CORRECT LINE AND LEVELS AS SHOWN IN THE C.A. DRAWING AND SHALL BE MAINTAINED IN POSITIONS DURING CONCRETING. EMBEDMENTS/PIEDMENTS FOR ALL IMPORTANT STRUCTURES SHALL BE POSITIONED BY TEMPLATES AS DIRECTED AS DIRECTED BY ENGINEER IN-CHARGE.
- ALL WATER RETAINING STRUCTURES SHALL BE CONSTRUCTED IN SULPHATE RESISTANT CEMENT.
- GROUND WATER TABLE CONSIDERED AT 113.075 MTR. LVL. FOR DESIGN PURPOSE.

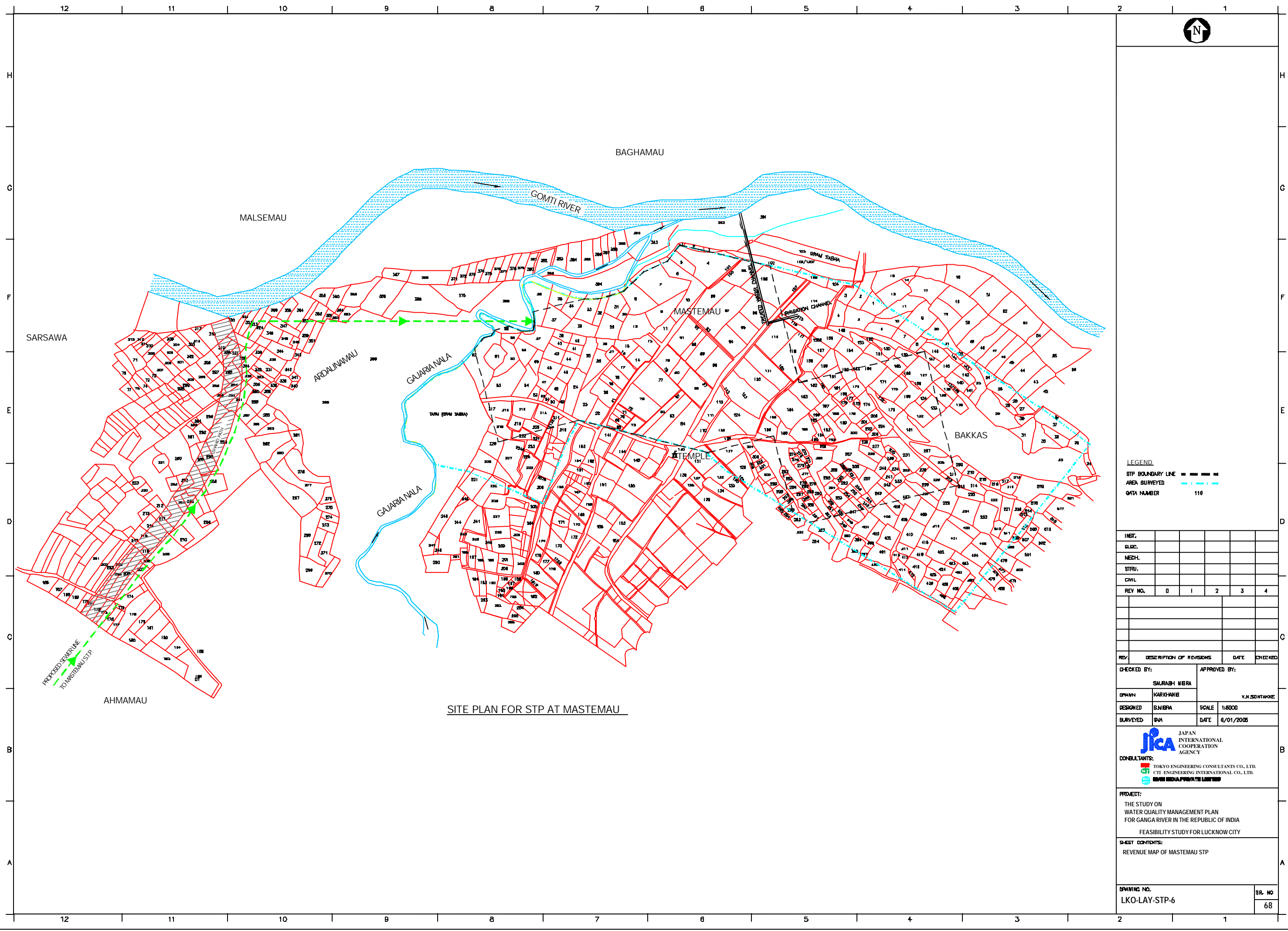
INST.					
ELED.					
MECH.					
STRV.					
CIVIL					
REV. NO.	0	1	2	3	4

REV.	DESCRIPTION OF REVISIONS	DATE	CHECKED
CHECKED BY: PARESH UNNARKAR			
APPROVED BY: V. N. SONTAKKE			
DRAWN: DEEPAK		SCALE: 1:100	
DESIGNED: UNNARKAR		DATE: 18-12-2004	
SURVEYED:			

JICA
 JAPAN INTERNATIONAL COOPERATION AGENCY
 CONSULTANTS:
 • TOKYO MITSUBISHI CONSTRUCTION CO., LTD.
 • CH2 CONSULTANTS INTERNATIONAL CO., LTD.
 • IVM INFRA PRIVATE LIMITED

PROJECT:
THE STUDY ON WATER QUALITY MANAGEMENT PLAN FOR GANGA RIVER IN THE REPUBLIC OF INDIA
FEASIBILITY STUDY FOR LUCKNOW CITY

SHEET CONTENTS:
STRUCTURAL DETAILS (2/2)



LEGEND

STP BOUNDARY LINE	---
AREA SURVEYED	---
QTA NUMBER	118

INST.					
BLDG.					
MECH.					
STRU.					
CIVL					
REV. NO.	0	1	2	3	4

REV.	DESCRIPTION OF REVISIONS	DATE	CHECKED

CHECKED BY:	SAURABH MISHRA	APPROVED BY:	V.N. SONTAKRE
DRAWN:	KARISHANIS	SCALE:	1:8000
DESIGNED:	S. MISHRA	DATE:	6/01/2005

CONSULTANTS:

JICA JAPAN INTERNATIONAL COOPERATION AGENCY

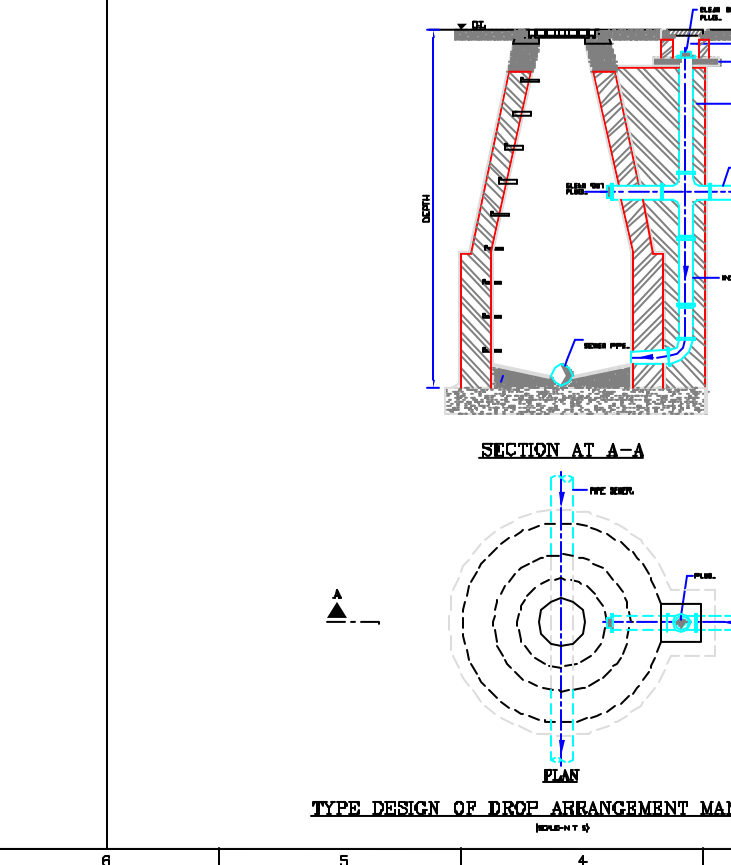
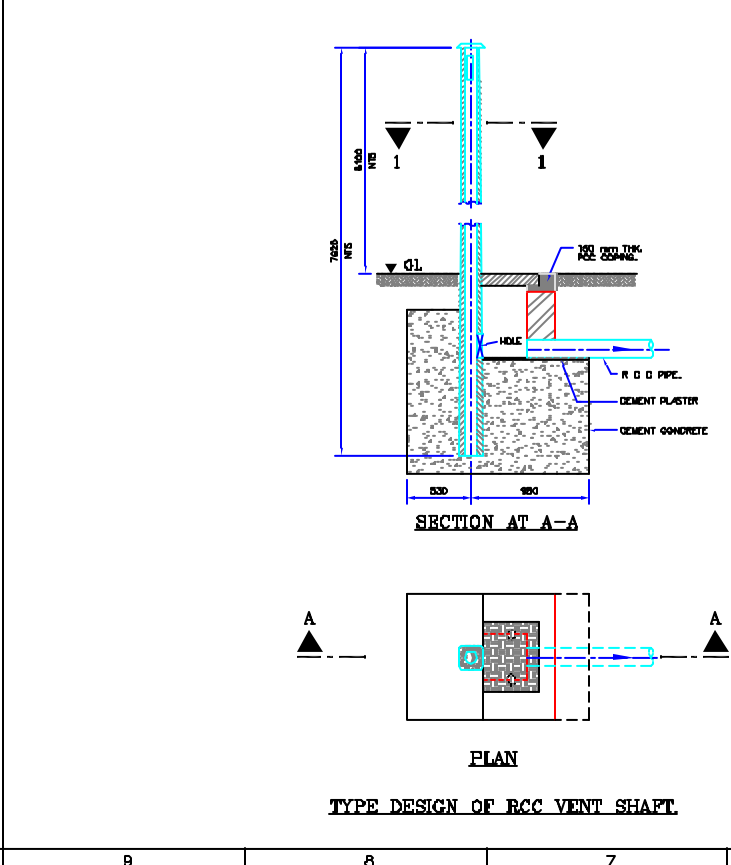
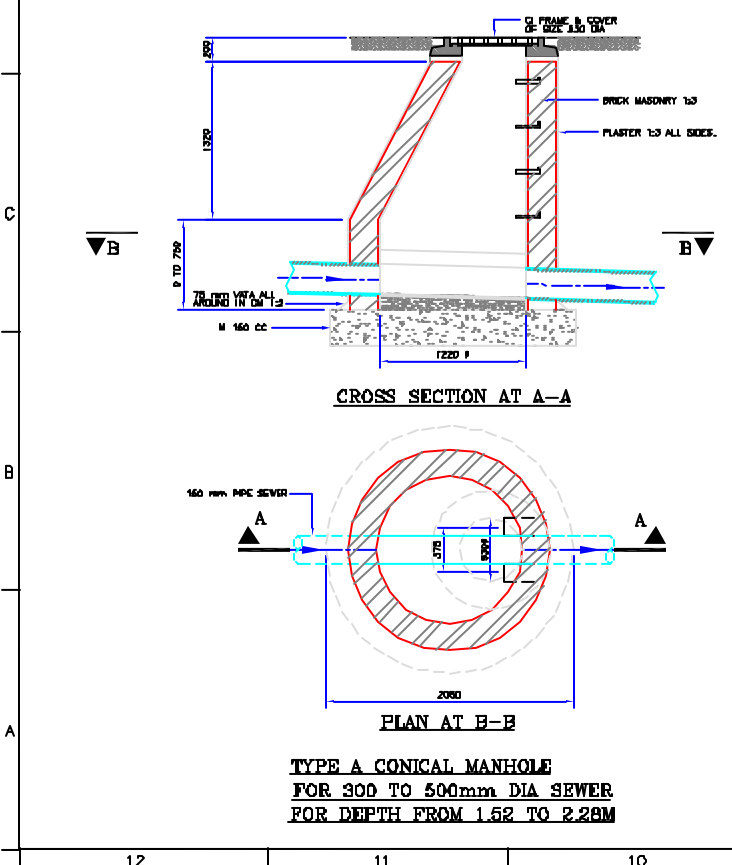
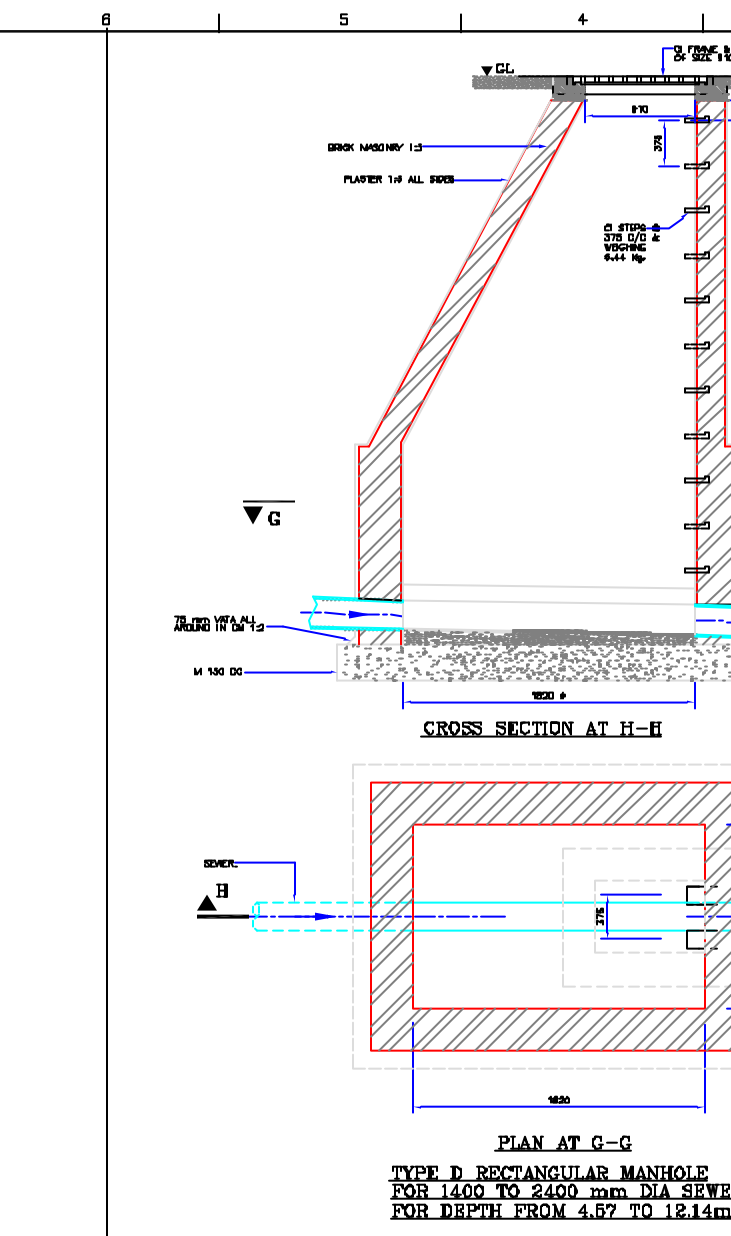
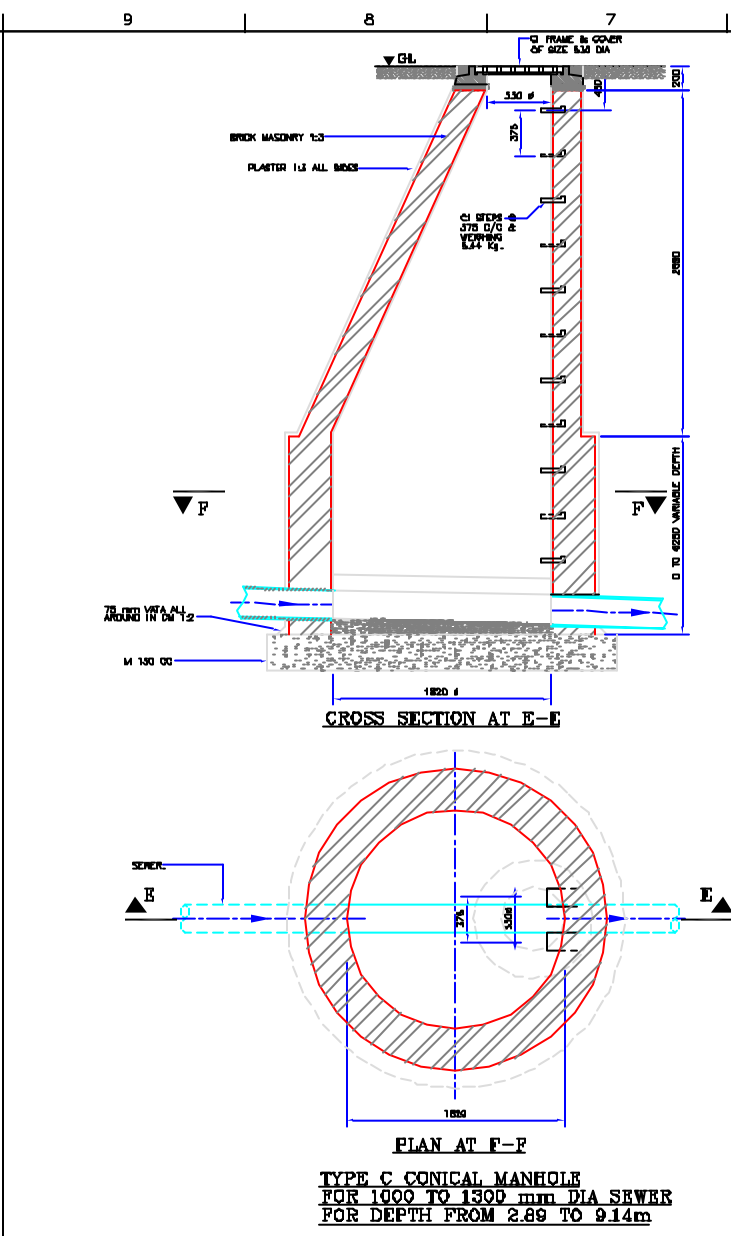
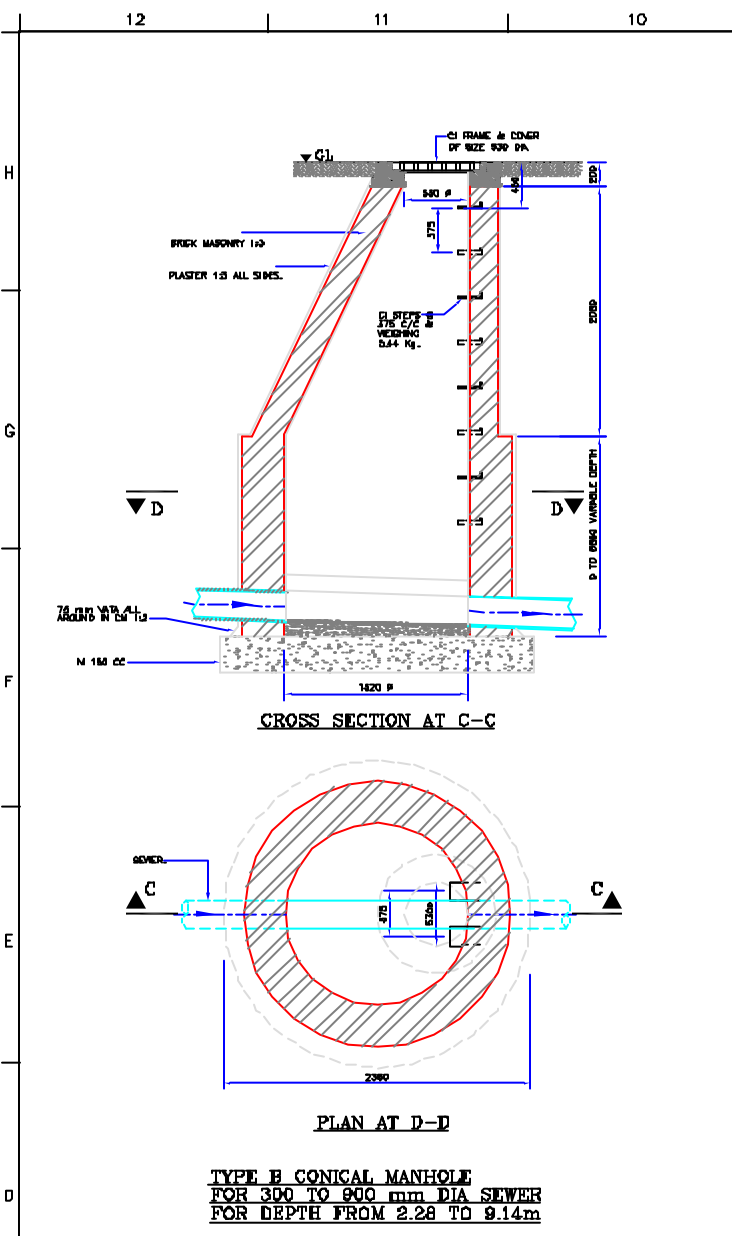
TEC TOKYO ENGINEERING CONSULTANTS CO., LTD.
CEI CBI ENGINEERING INTERNATIONAL CO., LTD.
MBM MISHRA PURI & PARTNERS LIMITED

PROJECT:
 THE STUDY ON WATER QUALITY MANAGEMENT PLAN FOR GANGA RIVER IN THE REPUBLIC OF INDIA
 FEASIBILITY STUDY FOR LUCKNOW CITY

SHEET CONTENTS:
 REVENUE MAP OF MASTEMAU STP

DRAWING NO.	LKO-LAY-STP-6	SRL. NO.	68
-------------	---------------	----------	----

SITE PLAN FOR STP AT MASTEMAU



NOTES:
1) ALL LEVELS ARE IN METERS.
2) ALL DIMENSIONS ARE IN MILLIMETERS.

INST.					
ELEC.					
MECH.					
STRU.					
CIVIL					
REV. NO.	0	1	2	3	4

REV.	DESCRIPTION OF REVISIONS	DATE	CHECKED

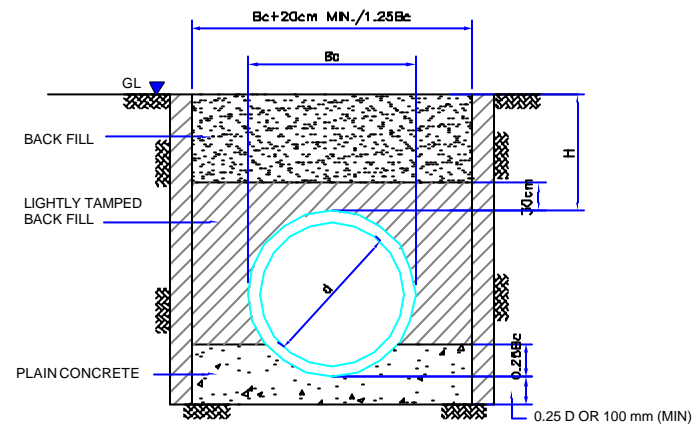
CHECKED BY:	APPROVED BY:
SAURABH NEERA	V.N. SONTAKKE
DRAWN:	H.S. PAMAR
DESIGNED:	M.D. NAGVEKAR
BURVEED:	
SCALE:	1:30
DATE:	29-12-2004

JICA JAPAN INTERNATIONAL COOPERATION AGENCY
CONSULTANTS:
 TOKYO ENGINEERING CONSULTANTS CO., LTD.
 CTE ENGINEERING INTERNATIONAL CO., LTD.
 SHYAM SINGH PUNJIA & PARTNERS

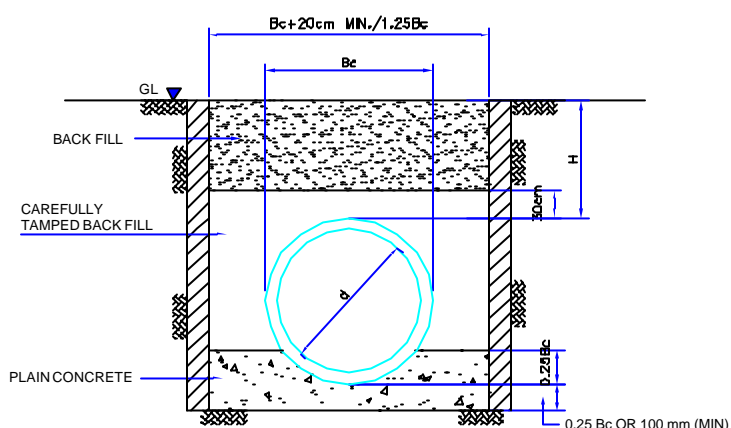
PROJECT:
THE STUDY ON WATER QUALITY MANAGEMENT PLAN FOR GANGA RIVER IN THE REPUBLIC OF INDIA
FEASIBILITY STUDY FOR LUCKNOW CITY

SHEET CONTENTS:
TYPICAL DETAILS OF ORDINARY MANHOLE AND VENT SHAFT

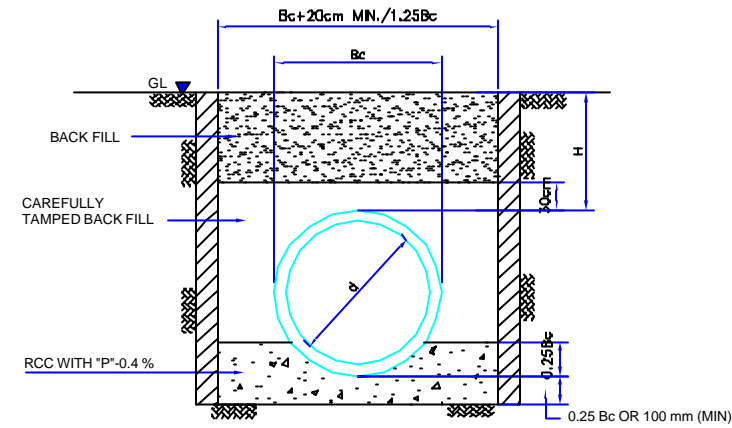
DRAWING NO.	SR. NO.
LKO-TYP-1	69



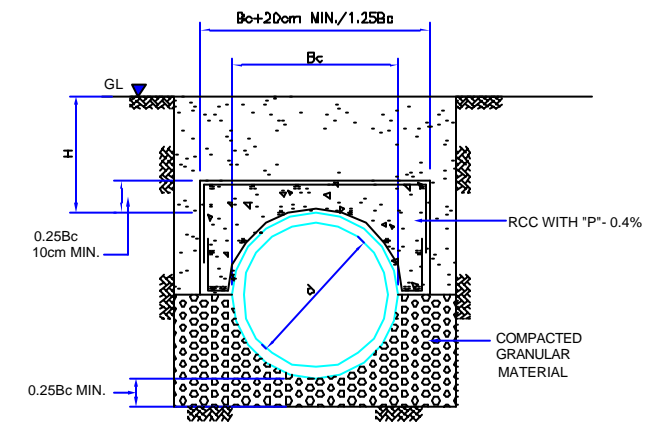
CONCRETE CRADLE
(LOAD FACTOR UPTO 2.2)
CLASS-Aa



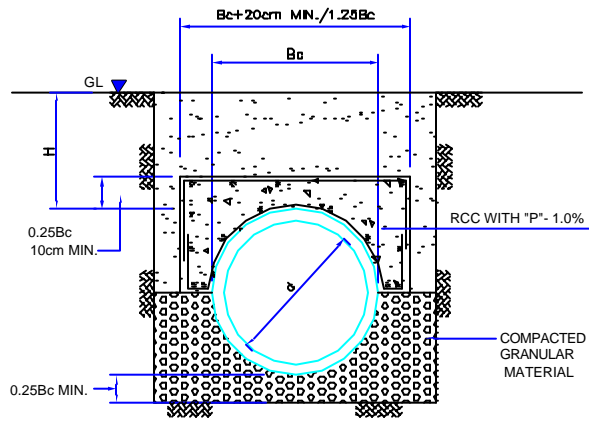
CONCRETE CRADLE
(LOAD FACTOR 2.8)
CLASS-Ab



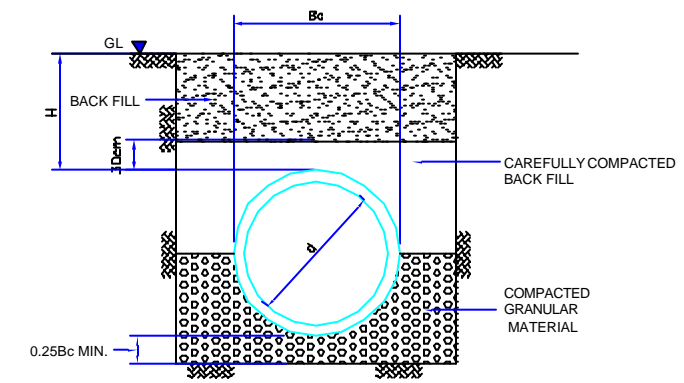
CONCRETE CRADLE-RCC WITH "P"-0.4%
(LOAD FACTOR UP TO 3.4)
CLASS-Ac



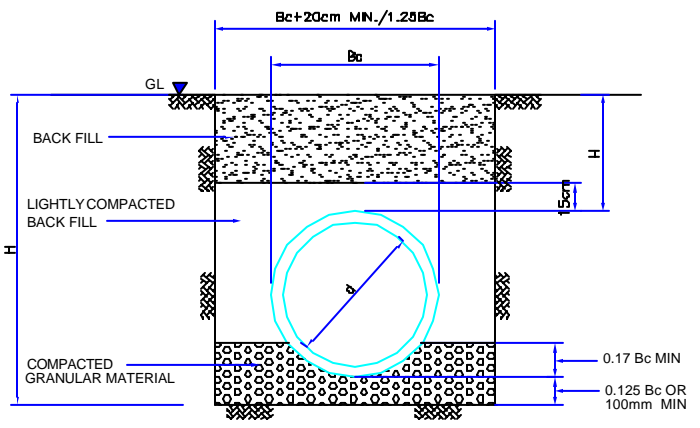
ARCH TYPE - REINFORCED
(LOAD FACTOR UP TO 3.4)
CLASS-Ad (3.4)



ARCH TYPE - REINFORCED
(LOAD FACTOR UP TO 4.8)
CLASS-Ad (4.8)



COMPACTED GRANULAR BEDDING
(LOAD FACTOR 1.9)
CLASS-B



GRANULAR BEDDING
(LOAD FACTOR 1.5)
CLASS-C

INST.					
ELED.					
MECH.					
STR.					
CWL					
REV. NO.	0	1	2	3	4

REV.	DESCRIPTION OF REVISIONS	DATE	CHECKED

CHECKED BY:	SAURABH NERFA	APPROVED BY:	V.N.SONTAKKE
DRAWN:	H.S.PANWAR	SCALE:	1:50
DESIGNED:	M.D.NAGVEKAR	DATE:	28-12-2004
SURVEYED:			

JICA JAPAN INTERNATIONAL COOPERATION AGENCY

CONSULTANTS:

- TOKYO ENGINEERING CONSULTANTS CO., LTD.
- CTI ENGINEERING INTERNATIONAL CO., LTD.
- SHRI SHRI PRIVATE LIMITED

PROJECT:
THE STUDY ON WATER QUALITY MANAGEMENT PLAN FOR GANGA RIVER IN THE REPUBLIC OF INDIA
FEASIBILITY STUDY FOR LUCKNOW CITY

SHEET CONTENTS:
TYPICAL DETAILS AND SEWER BEDDING

SR. NO.	NAME OF THE STRENCH	CHAINAGE (METER)	LENGTH (M)	DIAMETER (MM)	PHYSICAL CONDITION
1	PATA NALA JUNCTION	0000-0030	30	1200	HEAVY TRAFFIC
2	MEDICAL UNIVERSITY CROSSING	0250-0350	100	1200	HEAVY TRAFFIC
3	RAIL UNDER BRIDGE	0800-1100	300	1400	HEAVY TRAFFIC & NARROW ROAD
4	KAISARBAGH BUS STATION CROSSING	2650-2750	100	1800	HEAVY TRAFFIC
5	KAISARBAGH CROSSING	3100-3300	200	1800	HEAVY TRAFFIC
6	LALBAG JUNCTION	3800-3950	150	1800	HEAVY TRAFFIC
7	HAZRATGANJ JUNCTION PART 1	4300-4700	400	1800	HEAVY TRAFFIC
8	HAZRATGANJ JUNCTION PART 2	4900-5350	450	2200	HEAVY TRAFFIC & NARROW ROAD
9	GH CANAL	5350-5500	150	2200	CANAL CROSSING
10	RAILWAY CROSSING NEAR MARTINPURWA (RISING MAIN)	7150-7300	150	1200	RAILWAY LINE CROSSING
11	RAILWAY CROSSING IN SULTANPUR ROAD	9650-9750	100	2400	RAILWAY LINE CROSSING

LEGEND:

- MUNICIPAL BOUNDARY
- ==== ROAD
- ++++ RAILWAY LINE
- ~~~~ RIVER
- ~~~~ NALA
- PROPOSED NEW TRUNK SEWER
- RISING MAIN
- REHABILITATION EXISTING SEWER
- ⊕ EXISTING PUMPING STATION
- ⊕ PROPOSED PUMPING STATION
- ⊕ EXISTING STP
- ⊕ PROPOSED STP
- CH 1234 CHAINAGE NUMBER
- FSA131 FUTURE SERVICE AREA

DISTRICT - I (including FSA131)
DISTRICT - II (including FSA127~130)
DISTRICT - III (including FSA121,122, 126, 126, 132)
DISTRICT - IV (including FSA123, 124, 133)

REFERENCE DRAWING :

- 1) BASE MAP WITH BEWER ZONES LKO-BASE MAP-1
- 2) BASE MAP WITH WARD BOUNDARIES AND PROPOSED PRIORITY PROJECTS LKO-BASE MAP-2
- 3) KEY PLAN LKO-KEY-1

INST.					
ELD.					
MECH.					
STRU.					
CIVL.					
REV. NO.	0	1	2	3	4

REV.	DESCRIPTION OF REVISIONS	DATE	CHECKED
CHECKED BY:	APPROVED BY:		
SALRABH MISRA	V.N.SONTAKKE		
DRAWN	H.S.PANWAR	SCALE	1:20000
DESIGNED		DATE	24-12-2004
SURVEYED	VERMA		

JICA JAPAN INTERNATIONAL COOPERATION AGENCY

CONSULTANTS:

- TOKYO ENGINEERING CONSULTANTS CO., LTD.
- CTI ENGINEERING INTERNATIONAL CO., LTD.
- SHRI SIDA PRAKASH LIMITED

PROJECT:

THE STUDY ON WATER QUALITY MANAGEMENT PLAN FOR GANGA RIVER IN THE REPUBLIC OF INDIA

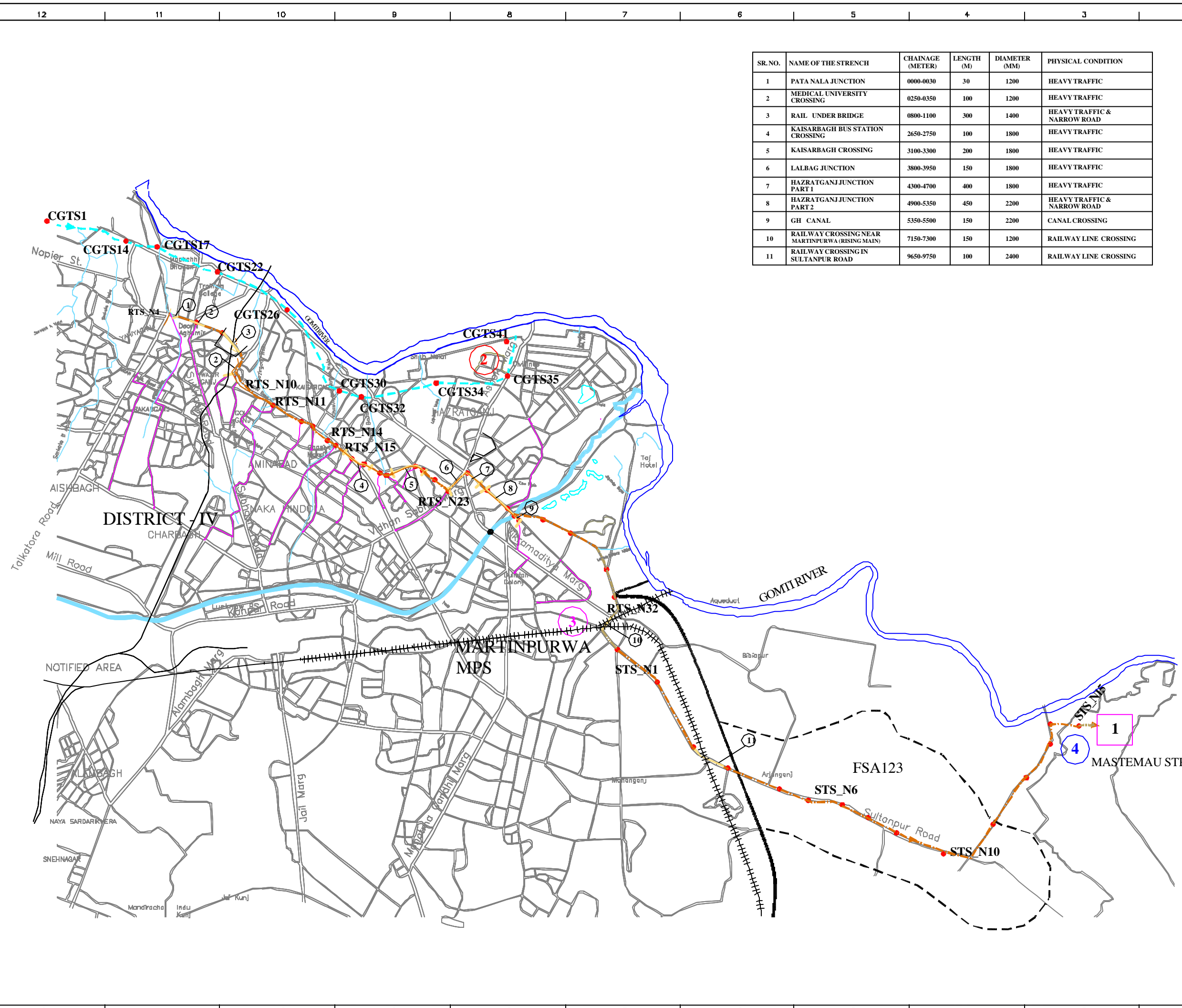
FEASIBILITY STUDY FOR LUCKNOW CITY

SHEET CONTENTS:

PLAN SHOWING LOCATION OF TRENCHLESS TECHNOLOGY ON CIS GOMATI RELIEF SEWER AND LOCATION DETAIL OF BRIDGES PROVIDED ON SULTANPUR ROAD TO CROSS NALAS

DRAWING NO. LKO-TT-1

SR. NO. 71



H
G
F
E
D
C
B
A

12 11 10 9 8 7 6 5 4 3 2 1

