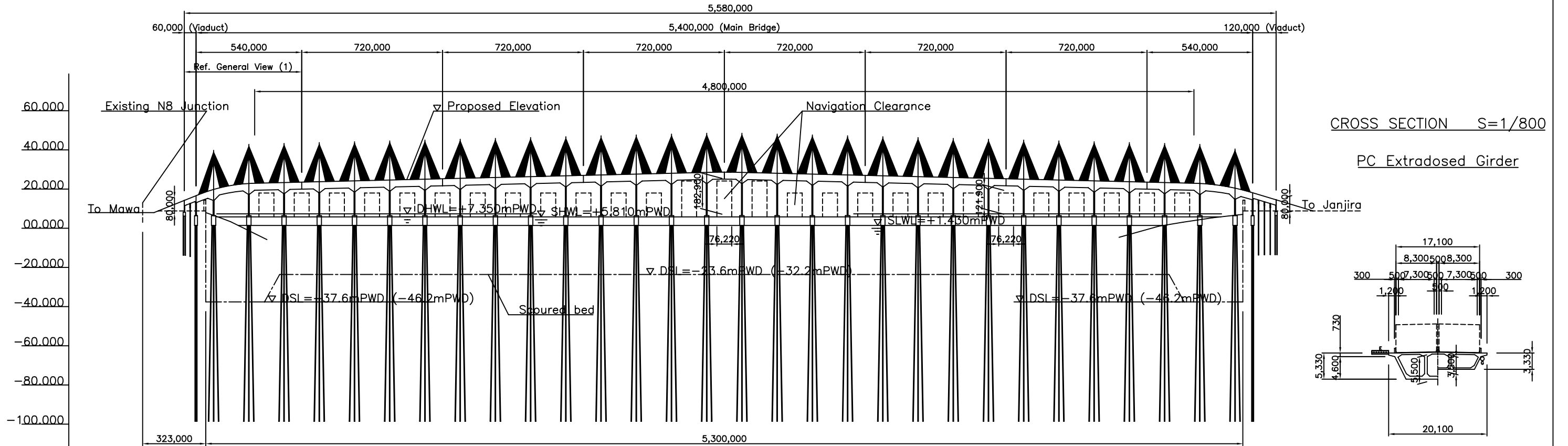


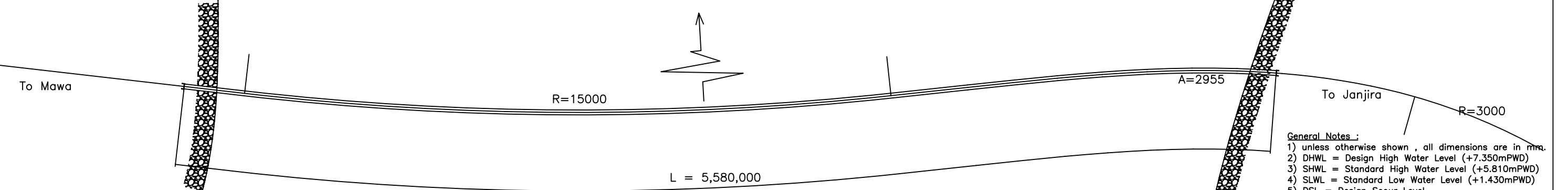
(Alternative H3)

SIDE VIEW V=1/2,000 H=1/20,000



	213,000	210,000	2,550,000	70,000	2,550,000	270,000
	VCL=300,000	VCR=8,000,000		VCL=70,000	VCR=14,700,000	VCL=300,000
	2.00%	+22.600	0.24%	+28.700	0.24%	+22.600
P.E.	+14.200	+21.190	+28.660	+21.570	+14.500	
G.L.	+8.000	+8.850		+8.850		
STA.	km 0+000.00	km 0+213.00	km 2+973.00	km 5+523.00	km 5+793.00	

PLAN S=1/20,000



- General Notes :
- 1) unless otherwise shown , all dimensions are in mm.
 - 2) DHWL = Design High Water Level (+7.350mPWD)
 - 3) SHWL = Standard High Water Level (+5.810mPWD)
 - 4) SLWL = Standard Low Water Level (+1.430mPWD)
 - 5) DSL = Design Scour Level

JAMUNA MULTIPURPOSE BRIDGE AUTHORITY
THE PEOPLE'S REPUBLIC OF BANGLADESH

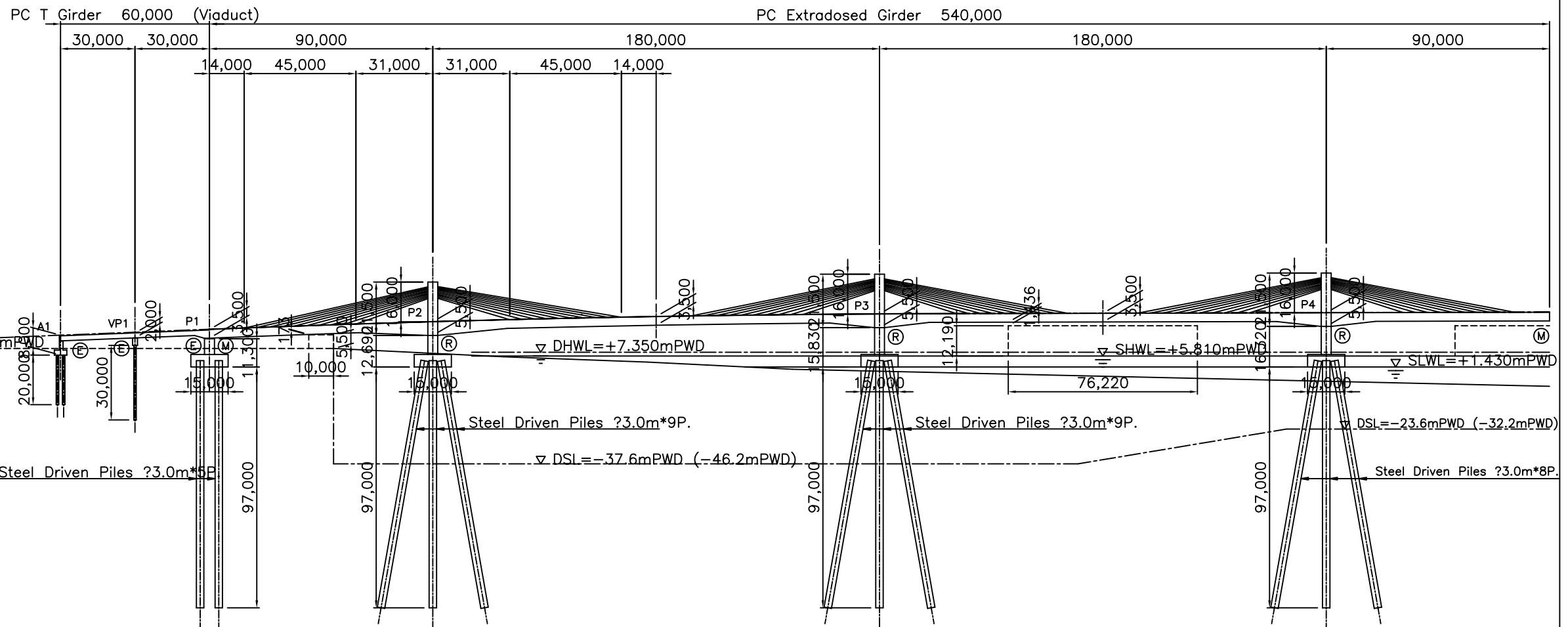
THE FEASIBILITY STUDY OF PADMA BRIDGE
IN THE PEOPLE'S REPUBLIC OF BANGLADESH

JICA JAPAN INTERNATIONAL COOPERATION AGENCY (JICA)
NIPPON KOEI CO., LTD. in Association with
CPC CONSTRUCTION PROJECT CONSULTANTS, INC.

TITLE :	DATE :	SHEET NO.
Side View & Plan Drawing (Alternative H3)	MARCH-2005	PDM FS C19

(Alternative H3)

GENERAL VIEW (1) ELEVATION S=1/2,000



CROSS SECTION Superstructure S=1/400

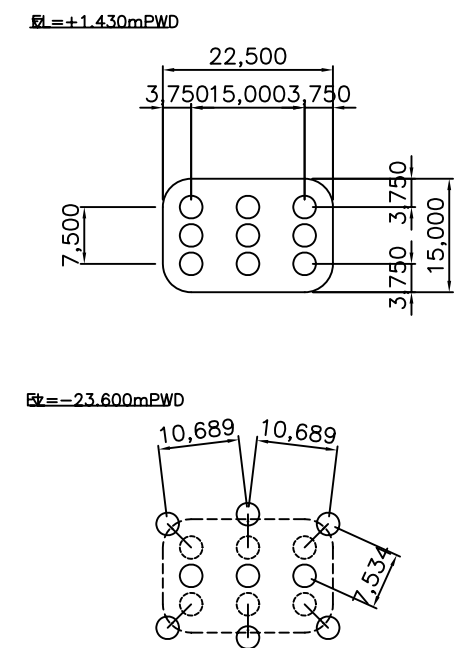
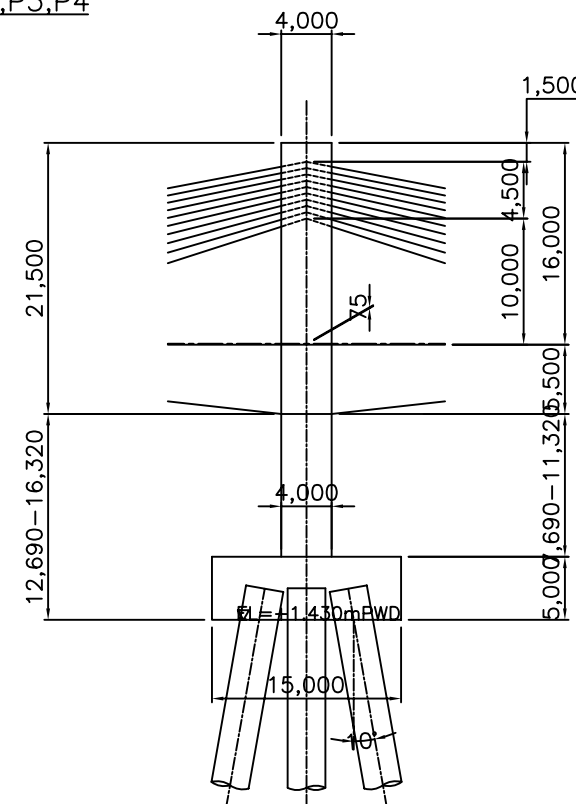
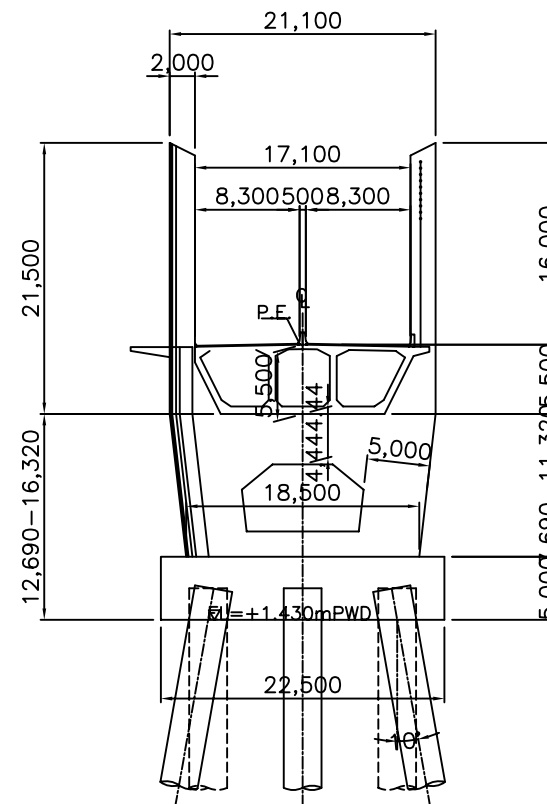
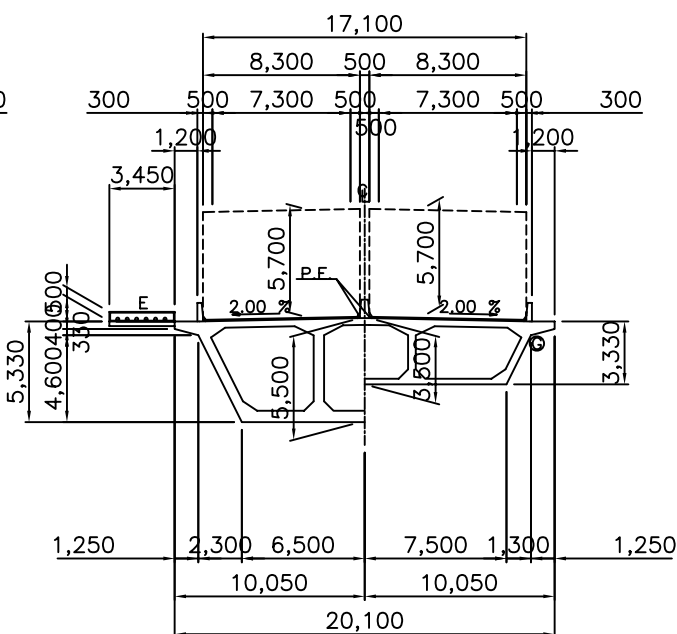
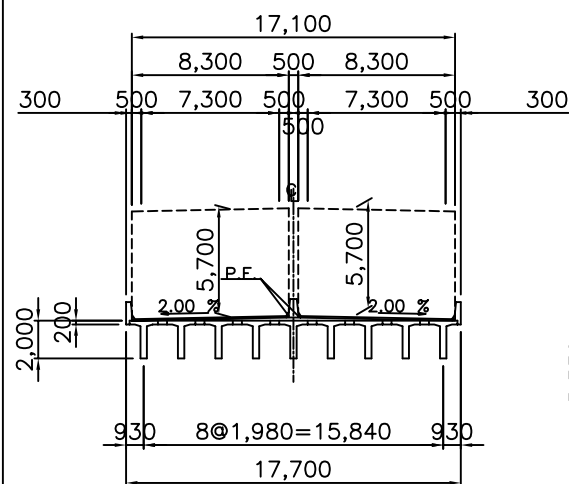
DETAIL Substructure S=1/600

PC T Girder

PC Extradosed Girder

P2,P3,P4

PLAN Piles (P2,P3) S=1/1,000



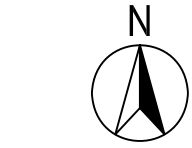
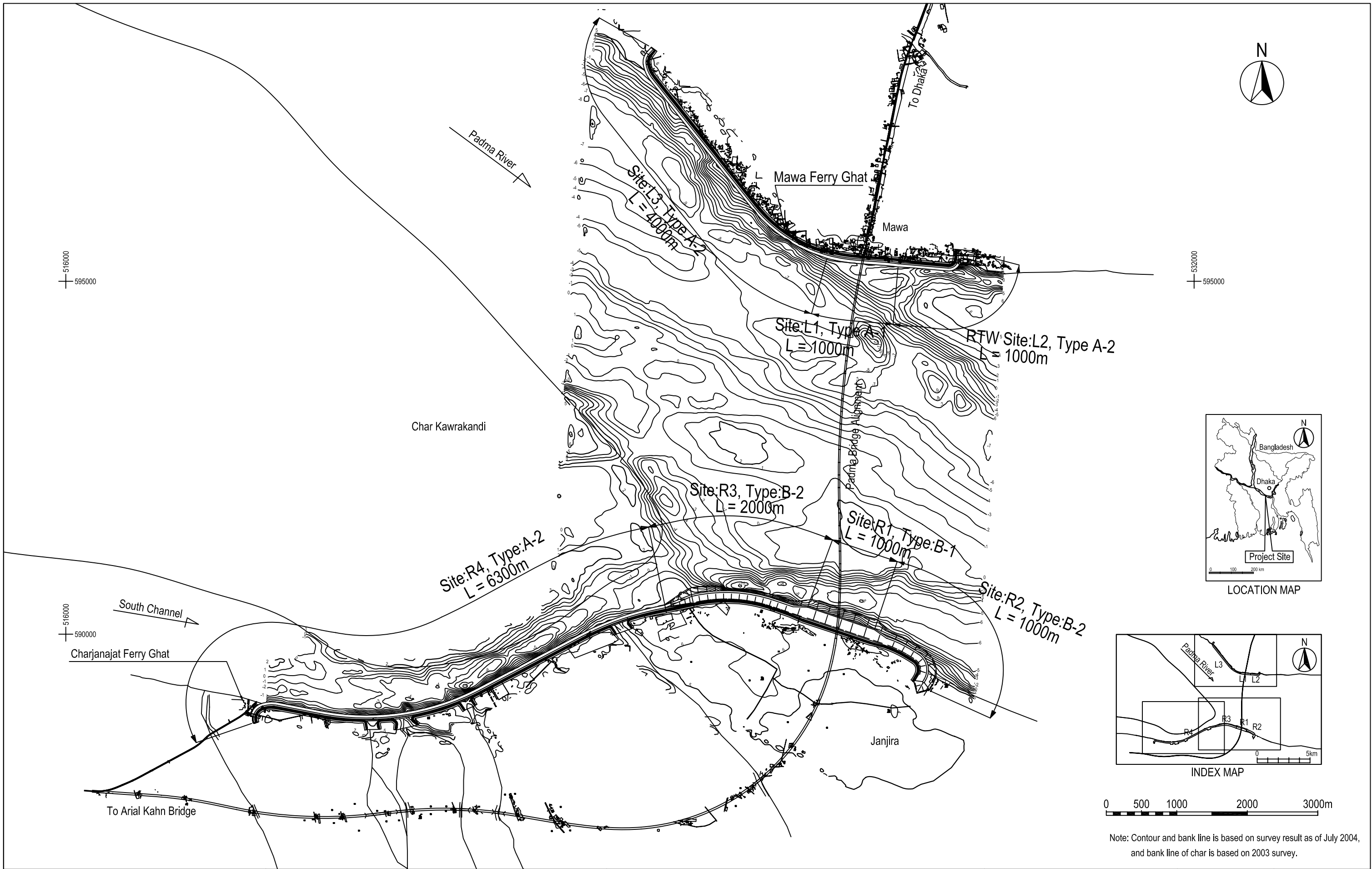
- General Notes :
- 1) unless otherwise shown , all dimensions are in mm.
 - 2) DHWL = Design High Water Level (+7.350mPWD)
 - 3) SHWL = Standard High Water Level (+5.810mPWD)
 - 4) SLWL = Standard Low Water Level (+1.430mPWD)
 - 5) DSL = Design Scour Level
 - 6) E : Electric line / G : Gas pipe line

JAMUNA MULTIPURPOSE BRIDGE AUTHORITY
THE PEOPLE'S REPUBLIC OF BANGLADESH

THE FEASIBILITY STUDY OF PADMA BRIDGE
IN THE PEOPLE'S REPUBLIC OF BANGLADESH

JICA JAPAN INTERNATIONAL COOPERATION AGENCY (JICA)
NIPON KOEI CO., LTD. in Association with
CPC CONSTRUCTION PROJECT CONSULTANTS, INC.

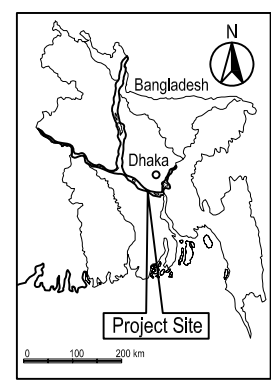
TITLE :	DATE :	SHEET NO.
General View (1) Drawing (Alternative H3)	MARCH-2005	PDM FS C20



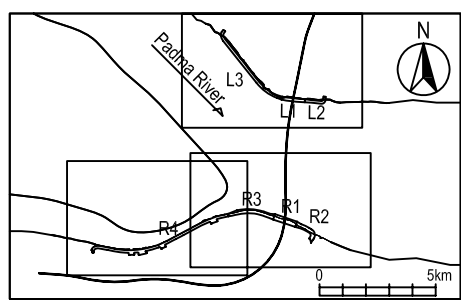
516000
595000

532000
595000

516000
590000




LOCATION MAP

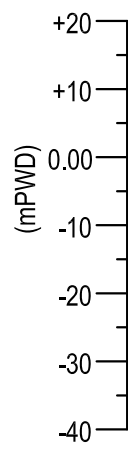
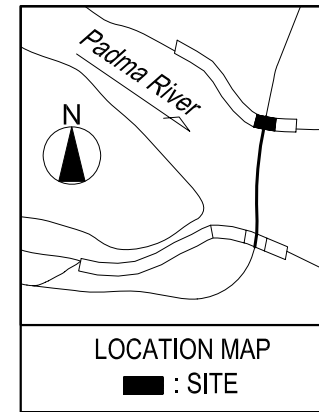


INDEX MAP

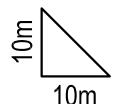


Note: Contour and bank line is based on survey result as of July 2004, and bank line of char is based on 2003 survey.

<p>JAMUNA MULTIPURPOSE BRIDGE AUTHORITY THE PEOPLE'S REPUBLIC OF BANGLADESH</p>	<p>THE FEASIBILITY STUDY OF PADMA BRIDGE IN THE PEOPLE'S REPUBLIC OF BANGLADESH</p>	<p>JICA JAPAN INTERNATIONAL COOPERATION AGENCY (JICA)  NIPPON KOEI CO., LTD. in Association with CPC CONSTRUCTION PROJECT CONSULTANTS, INC.</p>	<p>TITLE : River Works General Plan of River Works</p>	<p>DATE : MARCH-2005</p>	<p>SHEET NO. PDM FS D1</p>
---	---	---	--	------------------------------	--------------------------------

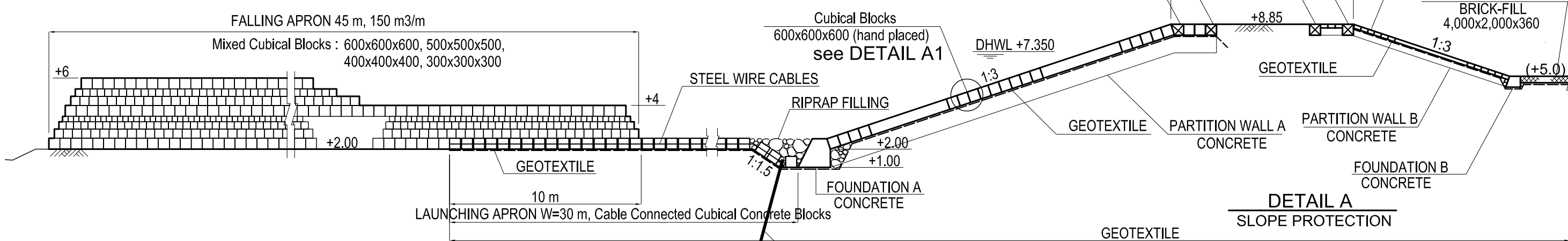


Excavation
Embankment



see DETAIL C
see DETAIL B & B1
see DETAIL A, A1 & A2 and MISCELLANEOUS DETAILS

REVETMENT TYPE A-1 CROSS SECTION



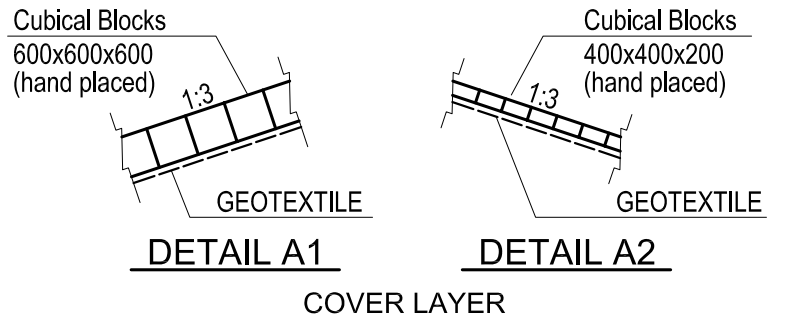
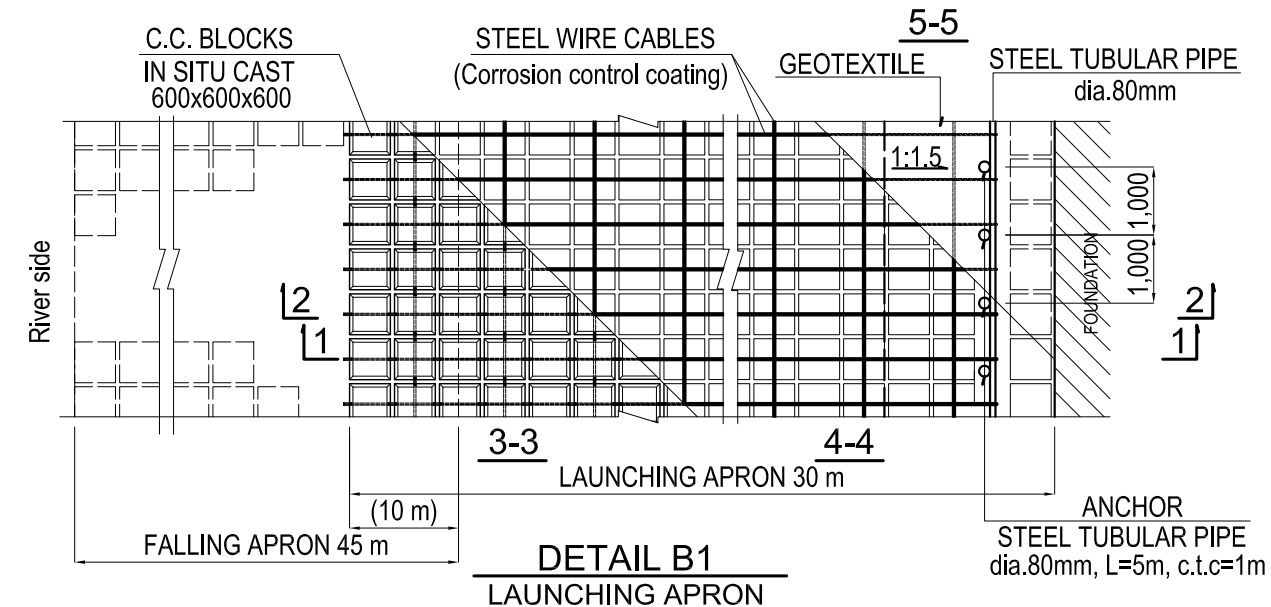
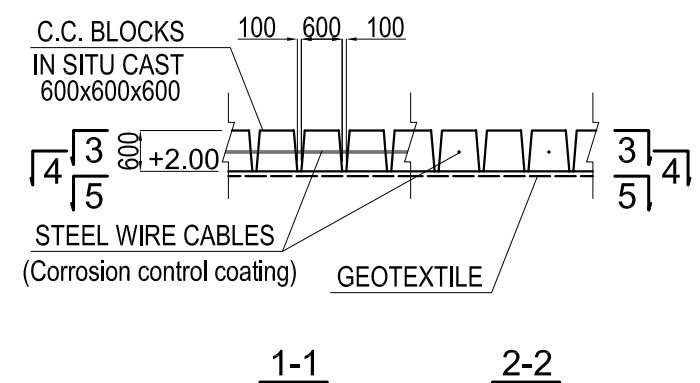
DETAIL C FALLING APRON

DETAIL B LAUNCHING APRON

DETAIL A SLOPE PROTECTION

DETAIL A1

DETAIL A2



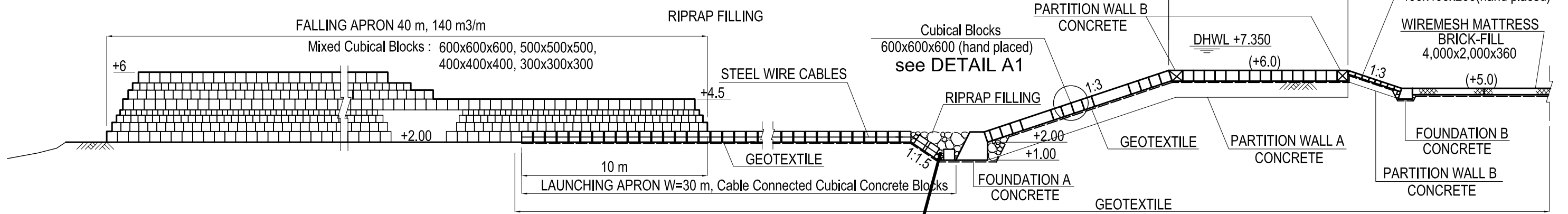
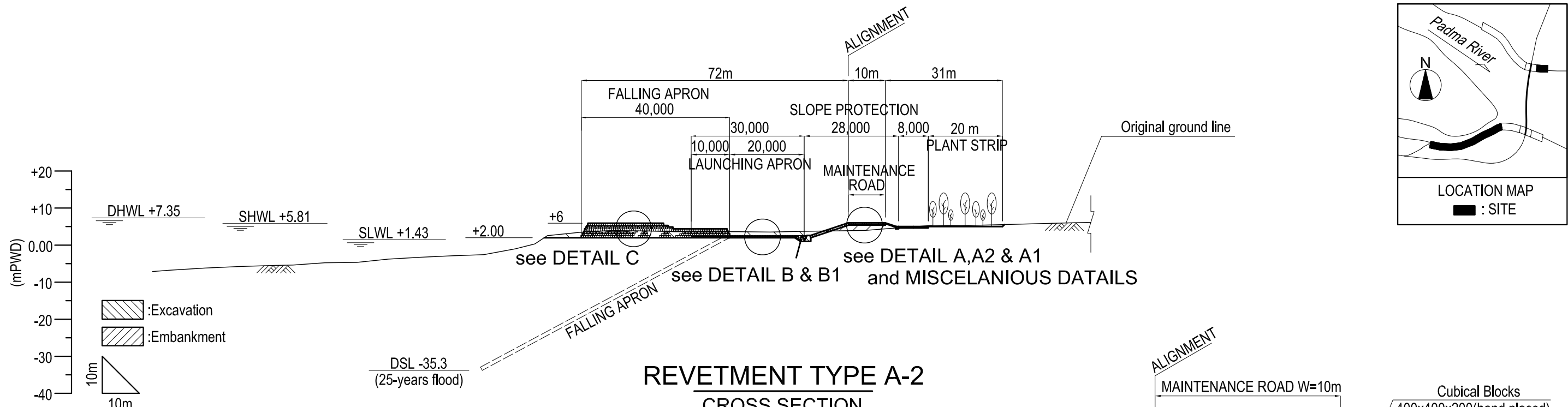
- General Notes :**
- 1) unless otherwise shown , all dimensions are in mm.
 - 2) DHWL = Design High Water Level (+7.350mPWD)
 - 3) SHWL = Standard High Water Level (+5.810mPWD)
 - 4) SLWL = Standard Low Water Level (+1.430mPWD)
 - 5) MWL= Mean Water Level (+3.02mPWD)
 - 6) DSL = Design Scour Level
 - 7) Cubical Blocks for Slope Protection : Class B 15
 - 8) Cubical Blocks for Launching Apron : Class B 25
 - 9) Materials in the drawing to be referred to "Guidelines and Design Manual for Standardized Bank Protection Structures, Dec. 2001".

JAMUNA MULTIPURPOSE BRIDGE AUTHORITY
THE PEOPLE'S REPUBLIC OF BANGLADESH

THE FEASIBILITY STUDY OF PADMA BRIDGE
IN THE PEOPLE'S REPUBLIC OF BANGLADESH

JICA JAPAN INTERNATIONAL COOPERATION AGENCY (JICA)
NK NIPPON KOEI CO., LTD. in Association with
CPC CONSTRUCTION PROJECT CONSULTANTS, INC.

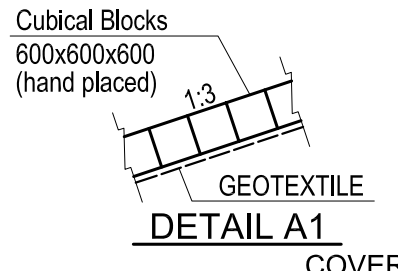
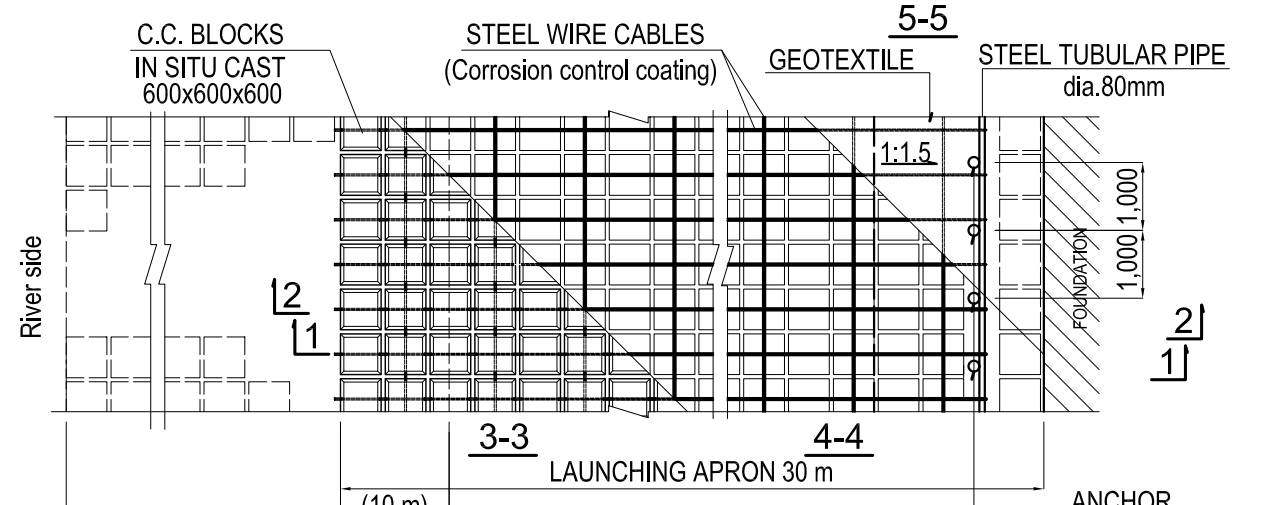
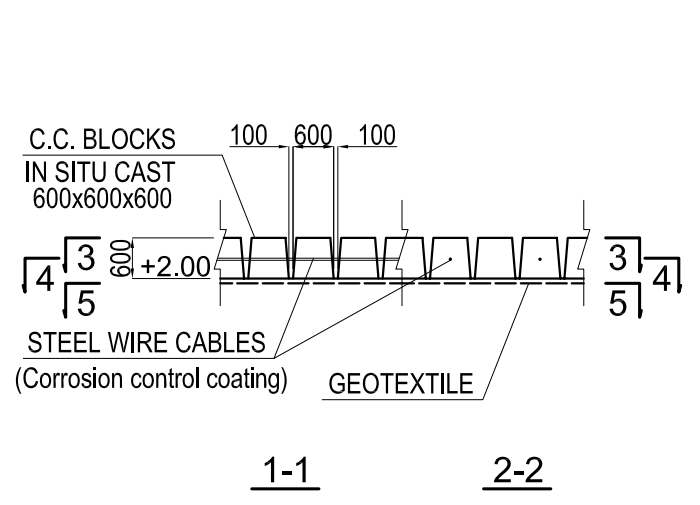
TITLE :	DATE :	SHEET NO.
River Works Standard Design of Revetment Type A-1	MARCH-2005	PDM FS D2



DETAIL C
FALLING APRON

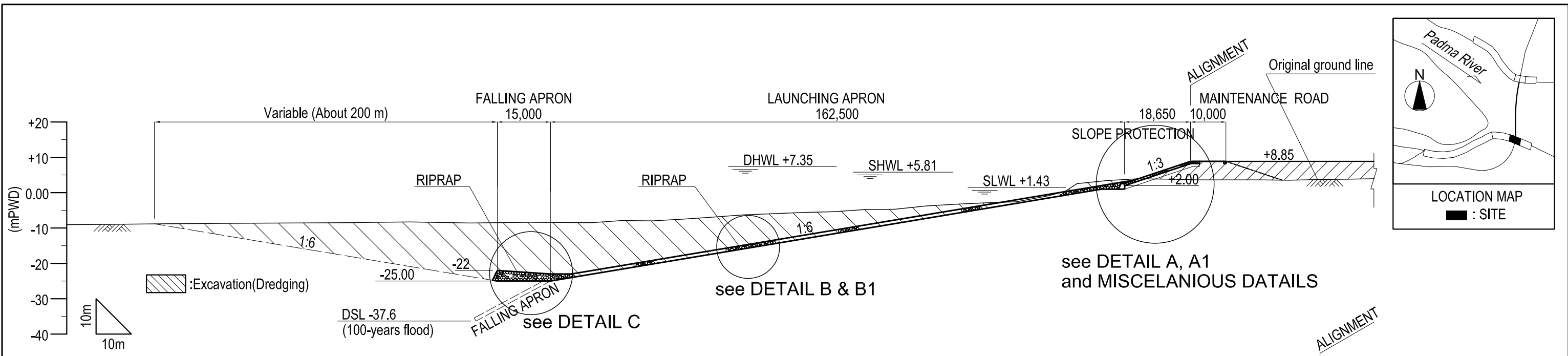
DETAIL B
LAUNCHING APRON

DETAIL A
SLOPE PROTECTION

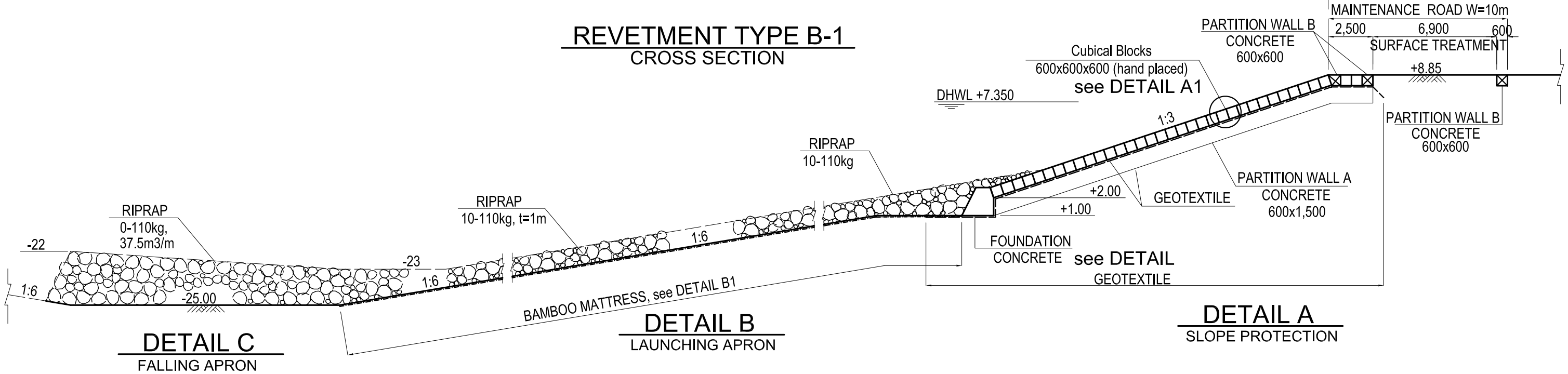


- General Notes :**
- 1) unless otherwise shown , all dimensions are in mm.
 - 2) DHWL = Design High Water Level (+7.350mPWD)
 - 3) SHWL = Standard High Water Level (+5.810mPWD)
 - 4) SLWL = Standard Low Water Level (+1.430mPWD)
 - 5) MWL= Mean Water Level (+3.02mPWD)
 - 6) DSL = Design Scour Level
 - 7) Cubical Blocks for Slope Protection : Class B 15
 - 8) Cubical Blocks for Launching Apron : Class B 25
 - 9) Materials in the drawing to be referred to "Guidelines and Design Manual for Standardized Bank Protection Structures, Dec. 2001".

JAMUNA MULTIPURPOSE BRIDGE AUTHORITY THE PEOPLE'S REPUBLIC OF BANGLADESH	THE FEASIBILITY STUDY OF PADMA BRIDGE IN THE PEOPLE'S REPUBLIC OF BANGLADESH		TITLE :	DATE :	SHEET NO.
			River Works Standard Design of Revetment Type A-2	MARCH-2005	PDM FS D3



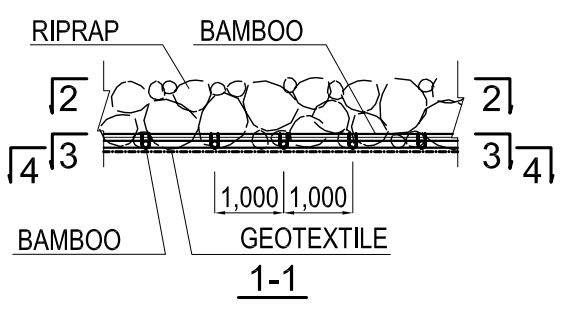
**REVETMENT TYPE B-1
CROSS SECTION**



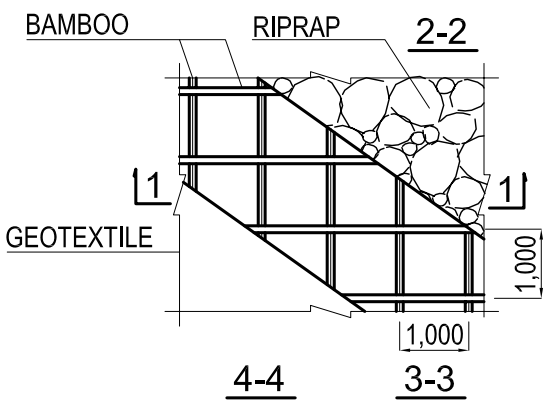
**DETAIL C
FALLING APRON**

**DETAIL B
LAUNCHING APRON**

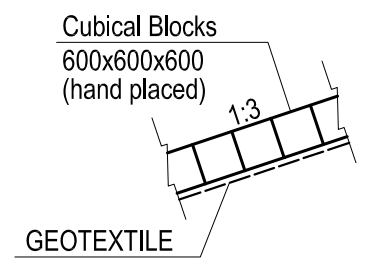
**DETAIL A
SLOPE PROTECTION**



**DETAIL B1
BAMBOO MATTRESS**



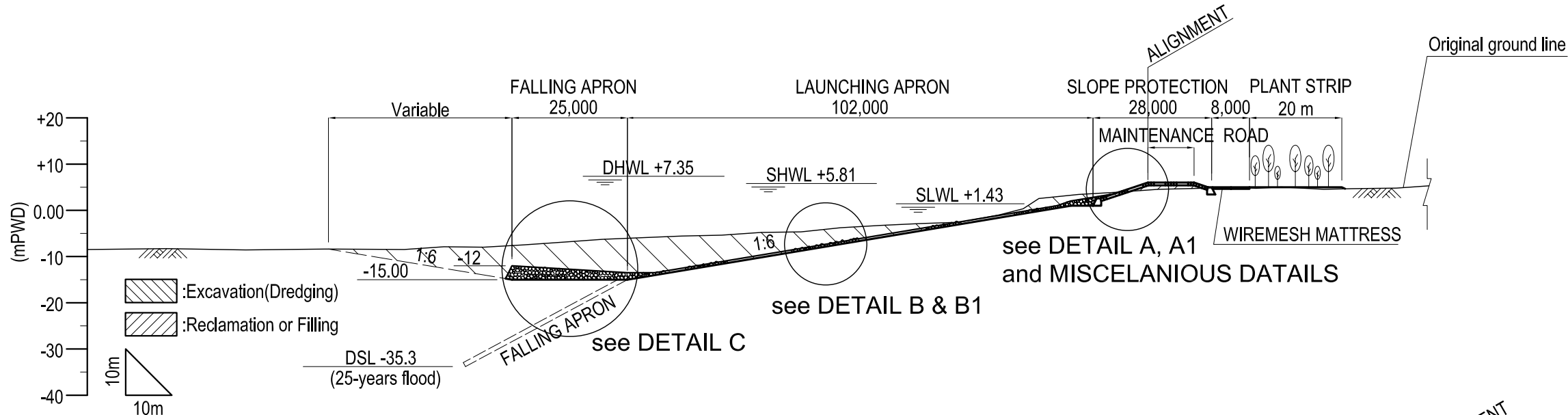
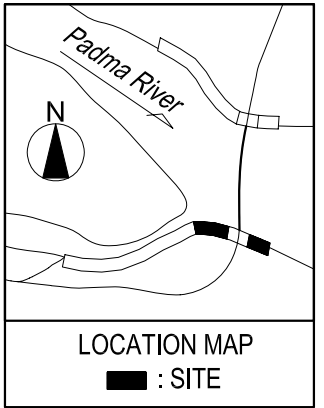
**4-4
3-3**



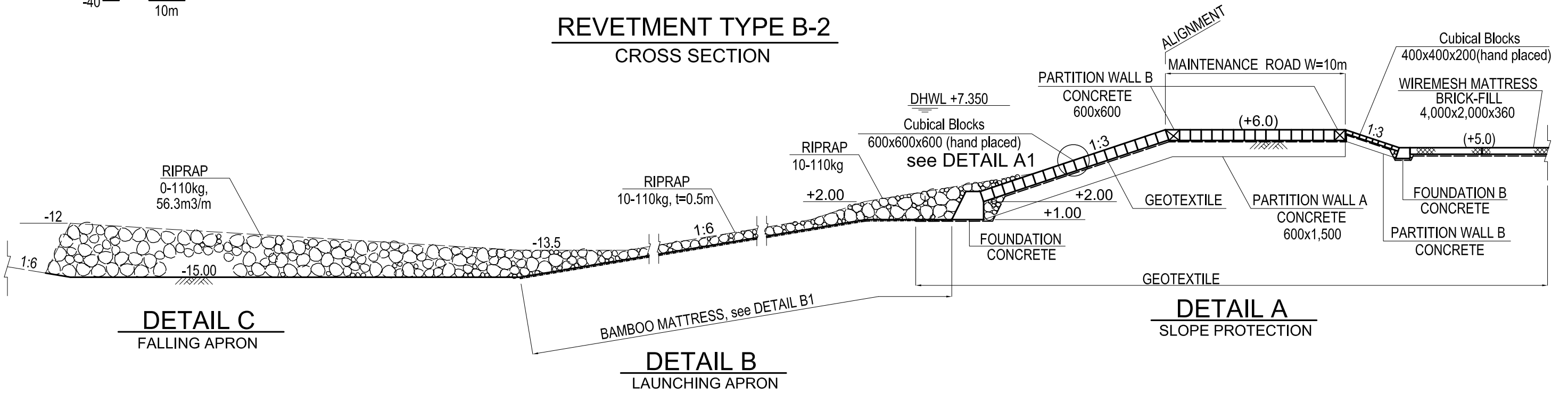
**DETAIL A1
COVER LAYER**

- General Notes :**
- 1) unless otherwise shown , all dimensions are in mm.
 - 2) DHWL = Design High Water Level (+7.350mPWD)
 - 3) SHWL = Standard High Water Level (+5.810mPWD)
 - 4) SLWL = Standard Low Water Level (+1.430mPWD)
 - 5) MWL= Mean Water Level (+3.02mPWD)
 - 6) DSL = Design Scour Level
 - 7) Cubical Blocks for Slope Protection : Class B 15
 - 8) Cubical Blocks for Launching Apron : Class B 25
 - 9) Materials in the drawing to be referred to "Guidelines and Design Manual for Standardized Bank Protection Structures, Dec. 2001".

JAMUNA MULTIPURPOSE BRIDGE AUTHORITY THE PEOPLE'S REPUBLIC OF BANGLADESH	THE FEASIBILITY STUDY OF PADMA BRIDGE IN THE PEOPLE'S REPUBLIC OF BANGLADESH	JICA JAPAN INTERNATIONAL COOPERATION AGENCY (JICA) NIPPON KOEI CO., LTD. in Association with CPC CONSTRUCTION PROJECT CONSULTANTS, INC.	TITLE : River Works Standard Design of Revetment Type B-1	DATE : MARCH-2005	SHEET NO. PDM FS D4
---	---	---	--	----------------------	------------------------

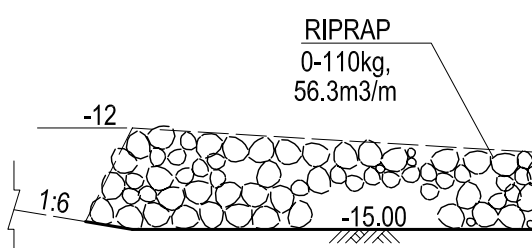


**REVIETMENT TYPE B-2
CROSS SECTION**

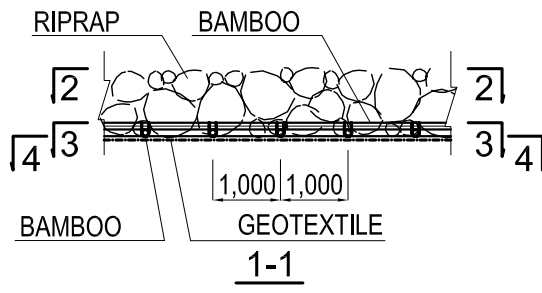
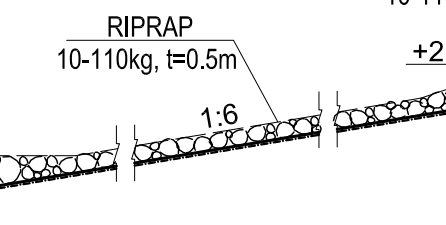


**DETAIL A
SLOPE PROTECTION**

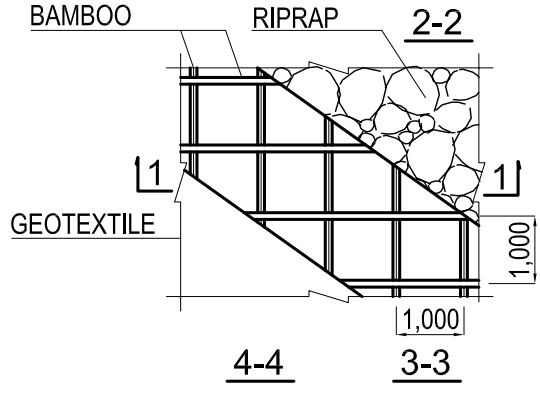
**DETAIL C
FALLING APRON**



**DETAIL B
LAUNCHING APRON**



**DETAIL B1
BAMBOO MATTRESS**



**DETAIL A1
DETAIL A2
COVER LAYER**

- General Notes :**
- 1) unless otherwise shown , all dimensions are in mm.
 - 2) DHWL = Design High Water Level (+7.350mPWD)
 - 3) SHWL = Standard High Water Level (+5.810mPWD)
 - 4) SLWL = Standard Low Water Level (+1.430mPWD)
 - 5) MWL = Mean Water Level (+3.02mPWD)
 - 6) DSL = Design Scour Level
 - 7) Cubical Blocks for Slope Protection : Class B 15
 - 8) Cubical Blocks for Launching Apron : Class B 25
 - 9) Materials in the drawing to be referred to "Guidelines and Design Manual for Standardized Bank Protection Structures, Dec. 2001".

<p>JAMUNA MULTIPURPOSE BRIDGE AUTHORITY THE PEOPLE'S REPUBLIC OF BANGLADESH</p>	<p>THE FEASIBILITY STUDY OF PADMA BRIDGE IN THE PEOPLE'S REPUBLIC OF BANGLADESH</p>	<p>JICA JAPAN INTERNATIONAL COOPERATION AGENCY (JICA) NK NIPPON KOEI CO., LTD. in Association with CPC CONSTRUCTION PROJECT CONSULTANTS, INC.</p>	<p>TITLE : River Works Standard Design of Revetment Type B-2</p>	<p>DATE : MARCH-2005</p>	<p>SHEET NO. PDM FS D5</p>
---	---	--	--	------------------------------	--------------------------------