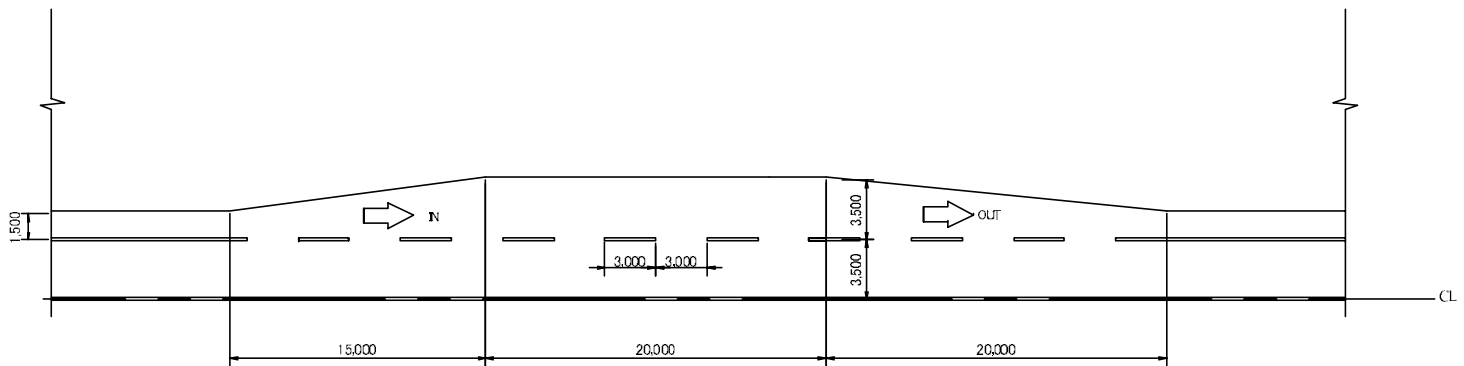


GENERAL LAYOUT

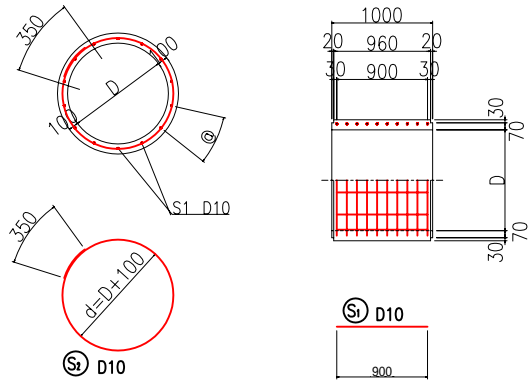


3-83

ETHIOPIA ROAD AUTHORITY DEMOCRATIC REPUBLIC OF ETHIOPIA	THE PROJECT FOR REHABILITATION OF TRUNK ROAD PHASE III IN THE FEDERAL DEMOCRATIC REPUBLIC OF ETHIOPIA	ORIENTAL CONSULTANTS CO., LTD IN ASSOCIATION WITH JAPAN ENGINEERING CONSULTANTS CO., LTD	Bus Bay Structure	SCALE	ETHIOPIA ROAD AUTHORITY THE FEDERAL DEMOCRATIC REPUBLIC OF ETHIOPIA	APPROVED	ORIENTAL CONSULTANTS CO., LTD IN ASSOCIATION WITH JAPAN ENGINEERING CONSULTANTS CO., LTD	PREPARED/DESIGNED	DATE	SHEET NO
				3-1/300		DATE		QUANTITY	MAY 2004	28

小構造物詳細図(1)

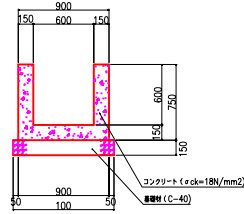
鉄筋コンクリート管



寸法表

品名	S1		S2		数量
	長さ	径	長さ	径	
D400	261	7	800	10	1530
D600	240	9	900	10	2400
D800	281	12	900	10	3382
D1000	344	14	900	10	3888
D1200	282	18	900	10	4284
D1800	249	20	900	10	5237

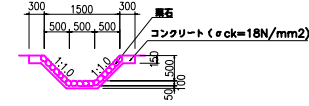
U型側溝
600×600



材料表

名称	単位	数量	数量	数量
コンクリート	σck=18N/mm²	m³	3.150	
型枠	m²	27.000		
基礎材	C-40 t=15cm	m²	10.000	

鋪石横側溝



材料表

名称	単位	数量	数量	数量
コンクリート	σck=18N/mm²	m³	18.70	
型枠	m²	30.0		
鋪石	m²	208.00		

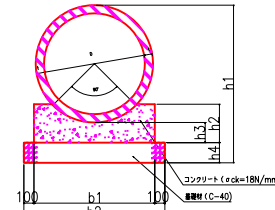
寸法表

品名	D	t	b1	b2	h1	h2	h3	h4	数量
P1-RC-D900	900	100	1050	1250	1400	380	200	150	
P1-RC-D1000	1000	100	1200	1400	1564	380	200	200	
P1-RC-D1200	1200	100	1400	1600	1840	480	250	200	

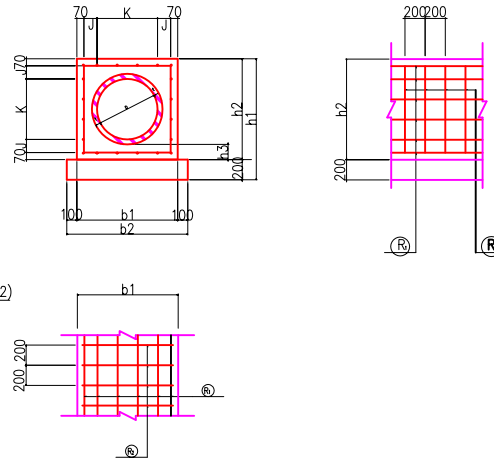
材料表

名称	単位	数量	P1-RC-D900	P1-RC-D1000	P1-RC-D1200	数量
コンクリート	σck=18N/mm²	m³	2.947	3.514	4.998	
型枠	m²	7.200	7.600	9.200		
基礎材	C-40 t=15cm	m²	12.800			
基礎材	C-40 t=20cm	m²		14.000	16.000	
埋込み鋼筋	D900	本	4.1			
	D1000	本		4.1		
コンクリート管	D900	本				
	D1200	本			4.1	

管渠工
P1-RC



管渠工
P4



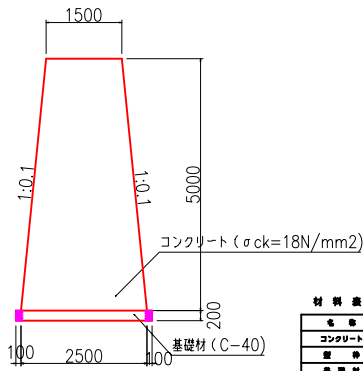
寸法表

品名	D	t	b1	b2	h1	h2	h3	J	K	数量
P4-D900	900	100	1000	1250	1400	380	200	150	800(=3x200)	
P4-D900	900	100	1480	1400	1564	380	200	200	800(=3x200)	
P4-D1000	1000	100	1580	1600	1840	480	250	200	800(=3x200)	
P4-D1200	1200	100	1400	1600	1840	480	250	200	800(=3x200)	

材料表

名称	単位	数量	P4-D900	P4-D900	P4-D1000	P4-D1200	数量
コンクリート	σck=18N/mm²	m³	6.125	12.657	14.333	17.225	
型枠	m²	20.000	29.200	31.600	36.000		
基礎材	C-40 t=15cm	m²	12.000				
	C-40 t=20cm	m²		16.800	17.800	20.000	
埋込み鋼筋	D900	本	4.1				
	D1000	本		4.1			
コンクリート管	D1000	本			4.1		
	D1200	本				4.1	
鋼筋	D13	kg	418.910	309.450	333.330	398.000	
	D18	kg		436.800	499.200	561.600	

砂利基礎
タイプ1



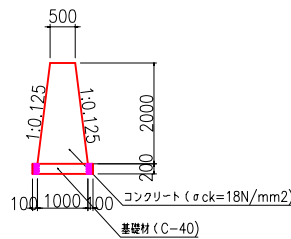
材料表(タイプ1)

名称	単位	数量	数量	数量
コンクリート	σck=18N/mm²	m³	100.000	
型枠	m²	110.500		
基礎材	RC-40 t=20cm	m²	27.000	

材料表(タイプ2)

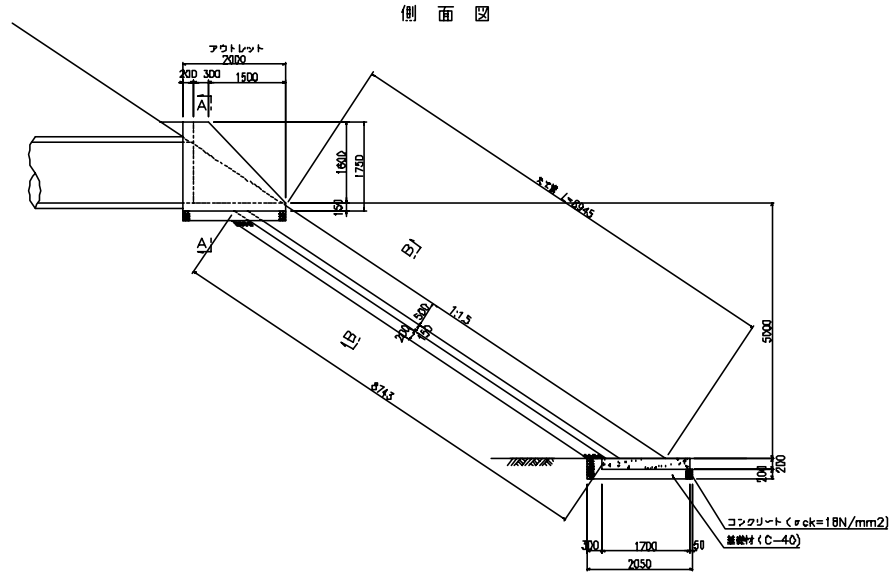
名称	単位	数量	数量	数量
コンクリート	σck=18N/mm²	m³	15.000	
型枠	m²	41.820		
基礎材	RC-40 t=20cm	m²	12.000	

砂利基礎
タイプ2

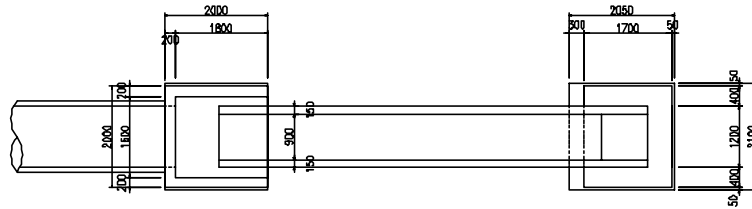


小構造物詳細図(2)

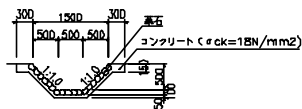
法面排水溝



平面図



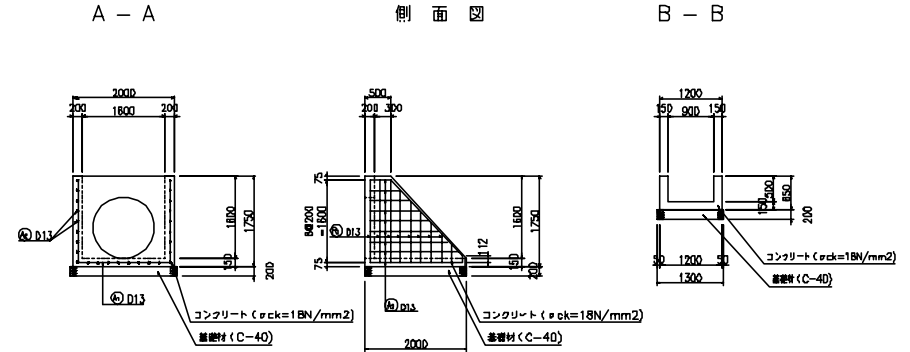
素掘り側溝



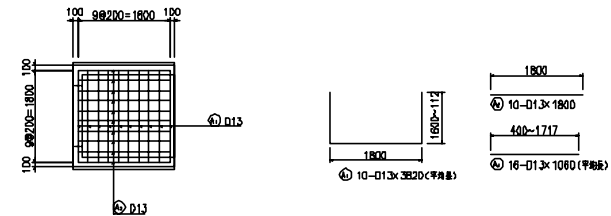
材料表

名称	規格	単位	数量	積算
コンクリート	$\rho_{ck}=18N/mm^2$	m ³	18.70	
型枠		m ²	30.00	
築石		m ²	208.00	

アウトレット



底板配筋図



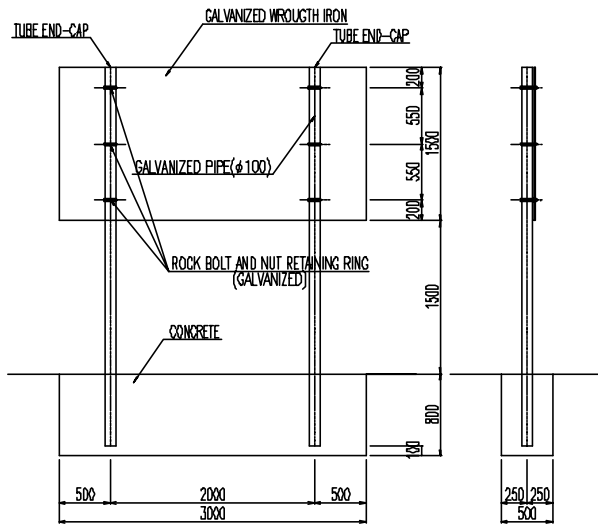
鉄筋表

番号	径	長さ	本数	単位重量	本出り重量	質量	積算	
A1	D13	3870	10	0.965	3.865	38	平均長	
2	D13	1800	10	0.965	1.79	18		
3	D13	1080	16	0.965	1.05	17	平均長	
D13							74 kg	
合計							74 kg	

材料表

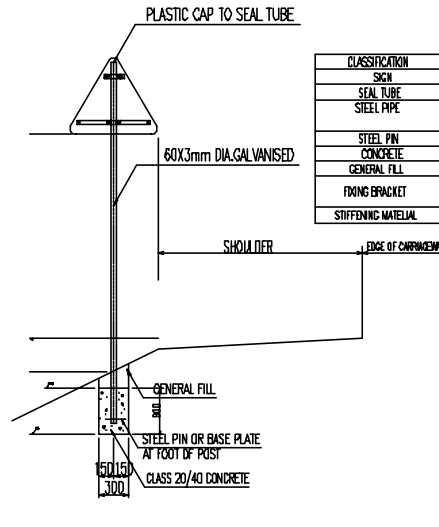
名称	規格	単位	アウトレット #900用	アウトレット #1000用	アウトレット #1200用	たて溝	積算
コンクリート	$\rho_{ck}=18N/mm^2$	m ³	1.180	1.150	1.081	2.424	
型枠		m ²	10.960	10.960	10.960	32.560	
蓋板材	C-40 t=15cm	m ²	4.200	4.200	4.200	11.366	
鉄筋	D13	kg	74	74	74		

SIGN POST A S=1/50

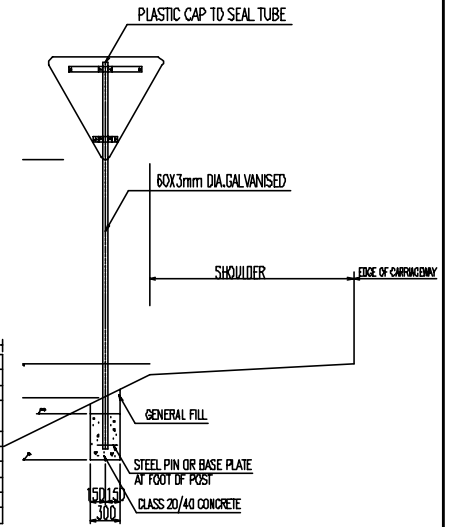


ITEM	STANDARD	UNIT	QUANTITY	PER EACH	REMARKS
CONCRETE	o.c=160kg/cm ²	cu.m	1.20		
FORM		sq.m	5.60		
SIGN IRON	GALVANIZED	each	1.00		
PIPE		m	7.40		
BOLT-NUT		each	6.00		
END-CAP	TUBE	#	2.00		

SIGN POST B S=1/50

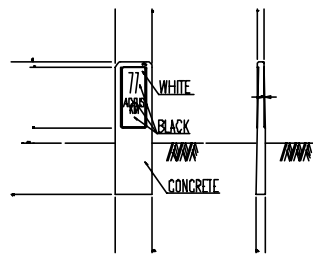


CLASSIFICATION	STANDARD	UNIT	QUANTITY	PER EACH	REMARKS
SIGN	ALUMINIUM PLATE	no.	1.0		
SEAL TUBE	PLASTIC CAP	#	1.0		
STEEL PIPE	#60x3mmx3.5m GALVANISED	#	1.0		
STEEL PIN	GALVANISED	no.	1.0	OR BASE PLATE	
CONCRETE	BB1628	cu.m	0.041		
GENERAL FILL		#	0.016		
FIXING BRACKET	TYPE-A	no.	1.0		
STIFFENING MATERIAL	TYPE-B	no.	1.0		
	ANGLE AND PREFORM FLANGE	#	1.0		

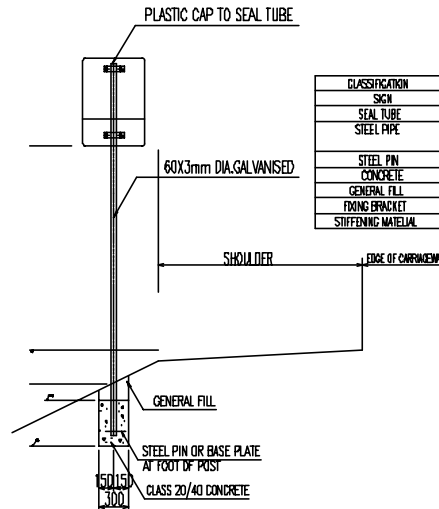


CLASSIFICATION	STANDARD	UNIT	QUANTITY	PER EACH	REMARKS
SIGN	ALUMINIUM PLATE	no.	1.0		
SEAL TUBE	PLASTIC CAP	#	1.0		
STEEL PIPE	#60x3mmx3.5m GALVANISED	#	1.0		
STEEL PIN	GALVANISED	no.	1.0	OR BASE PLATE	
CONCRETE	BB1628	cu.m	0.041		
GENERAL FILL		#	0.016		
FIXING BRACKET	TYPE-A	no.	1.0		
STIFFENING MATERIAL	TYPE-B	no.	1.0		
	ANGLE AND PREFORM FLANGE	#	1.0		

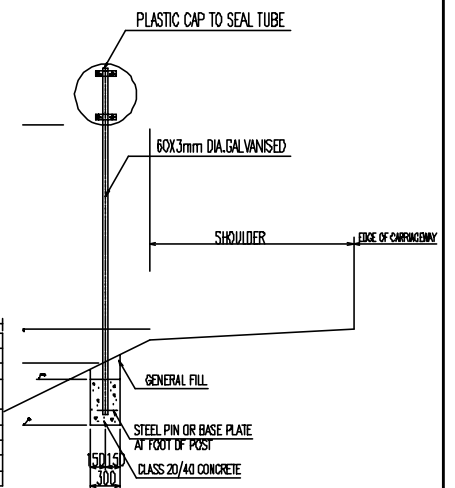
KILOMETER POST S=1/50



ITEM	STANDARD	UNIT	QUANTITY	PER EACH	REMARKS
CONCRETE	o.c=210kg/cm ²	cu.m	0.04		
FORM		sq.m	1.14		
PLATE		each	2.00		

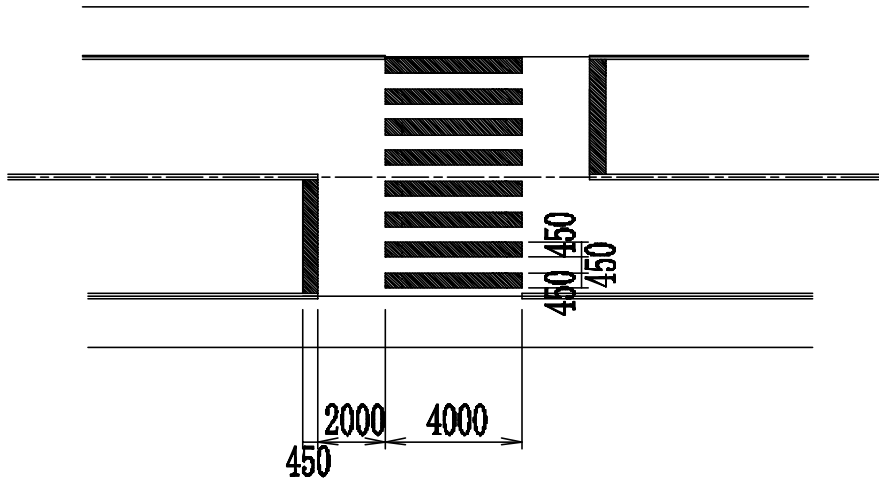


CLASSIFICATION	STANDARD	UNIT	QUANTITY	PER EACH	REMARKS
SIGN	ALUMINIUM PLATE	no.	1.0		
SEAL TUBE	PLASTIC CAP	#	1.0		
STEEL PIPE	#60x3mmx3.5m GALVANISED	#	1.0		
STEEL PIN	GALVANISED	no.	1.0	OR BASE PLATE	
CONCRETE	BB1628	cu.m	0.041		
GENERAL FILL		#	0.016		
FIXING BRACKET	TYPE-A	no.	2.0		
STIFFENING MATERIAL	ANGLE AND PREFORM FLANGE	#	1.0		

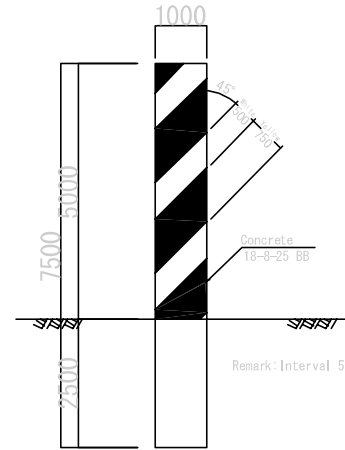


CLASSIFICATION	STANDARD	UNIT	QUANTITY	PER EACH	REMARKS
SIGN	ALUMINIUM PLATE	no.	1.0		
SEAL TUBE	PLASTIC CAP	#	1.0		
STEEL PIPE	#60x3mmx3.5m GALVANISED	#	1.0		
STEEL PIN	GALVANISED	no.	1.0	OR BASE PLATE	
CONCRETE	BB1628	cu.m	0.041		
GENERAL FILL		#	0.016		
FIXING BRACKET	TYPE-A	no.	2.0		
STIFFENING MATERIAL	ANGLE AND PREFORM FLANGE	#	1.0		

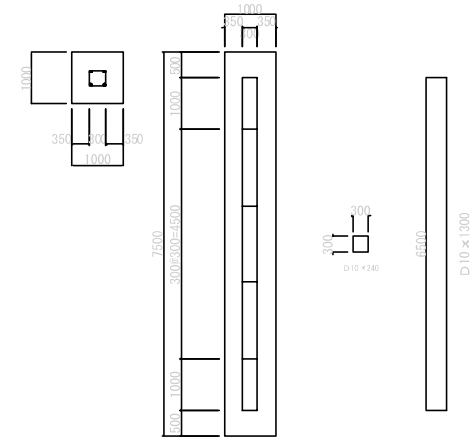
PEDESTRIAN MARKING



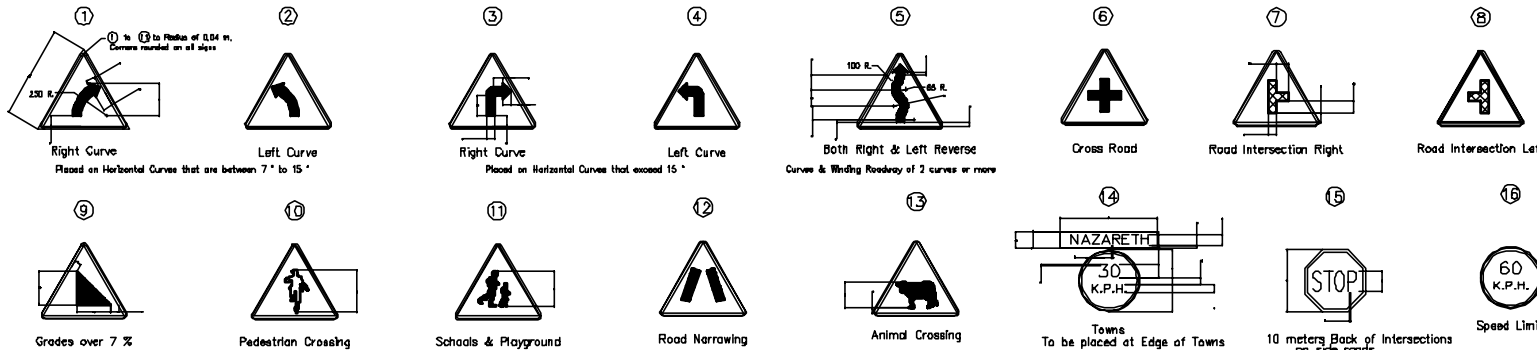
Guard Post (Draft)



Side View



Bar Arrangement



GENERAL NOTES

1. All signs shall be for the controlling, warning and regulating traffic.

2. All signs shall be made of aluminum or galvanized iron sheet, 2 mm thick, and shall be painted on standard traffic sign colors.

3. All signs shall be made of aluminum or galvanized iron sheet, 2 mm thick, and shall be painted on standard traffic sign colors.

4. All signs shall be made of aluminum or galvanized iron sheet, 2 mm thick, and shall be painted on standard traffic sign colors.

5. All signs shall be made of aluminum or galvanized iron sheet, 2 mm thick, and shall be painted on standard traffic sign colors.

6. All signs shall be made of aluminum or galvanized iron sheet, 2 mm thick, and shall be painted on standard traffic sign colors.

7. All signs shall be made of aluminum or galvanized iron sheet, 2 mm thick, and shall be painted on standard traffic sign colors.

8. All signs shall be made of aluminum or galvanized iron sheet, 2 mm thick, and shall be painted on standard traffic sign colors.

9. All signs shall be made of aluminum or galvanized iron sheet, 2 mm thick, and shall be painted on standard traffic sign colors.

10. All signs shall be made of aluminum or galvanized iron sheet, 2 mm thick, and shall be painted on standard traffic sign colors.

11. All signs shall be made of aluminum or galvanized iron sheet, 2 mm thick, and shall be painted on standard traffic sign colors.

12. All signs shall be made of aluminum or galvanized iron sheet, 2 mm thick, and shall be painted on standard traffic sign colors.

13. All signs shall be made of aluminum or galvanized iron sheet, 2 mm thick, and shall be painted on standard traffic sign colors.

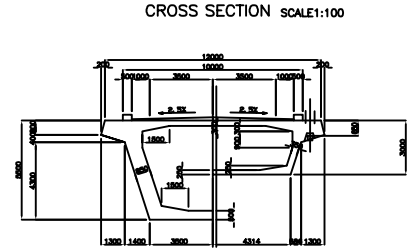
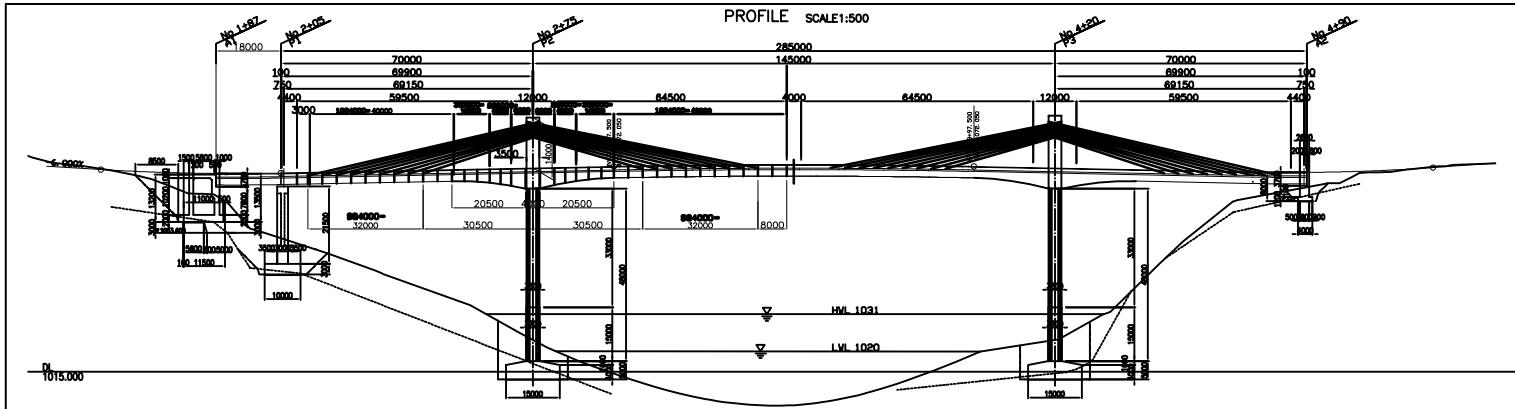
14. All signs shall be made of aluminum or galvanized iron sheet, 2 mm thick, and shall be painted on standard traffic sign colors.

15. All signs shall be made of aluminum or galvanized iron sheet, 2 mm thick, and shall be painted on standard traffic sign colors.

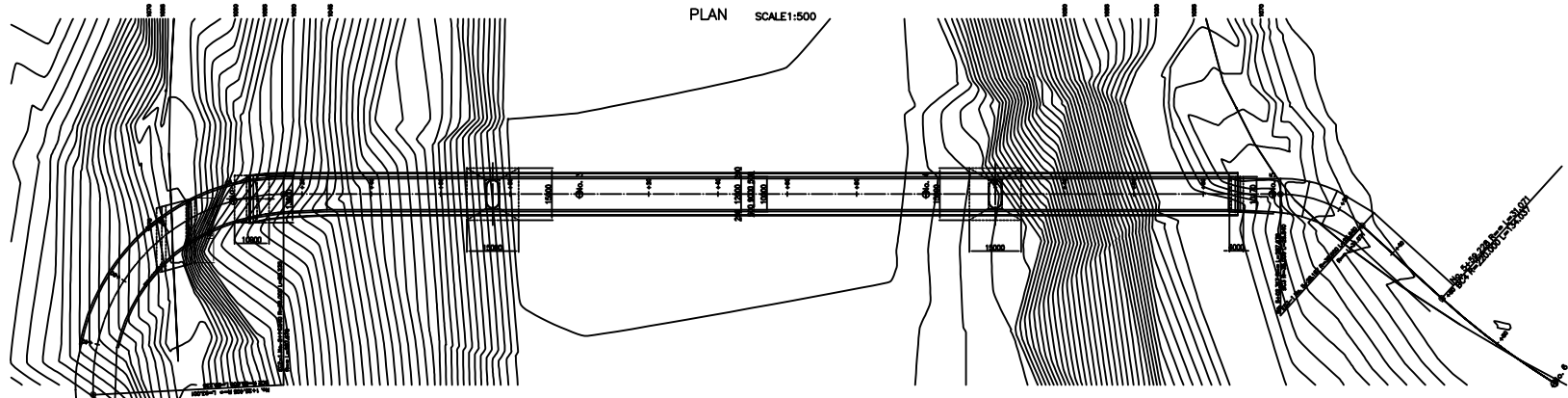
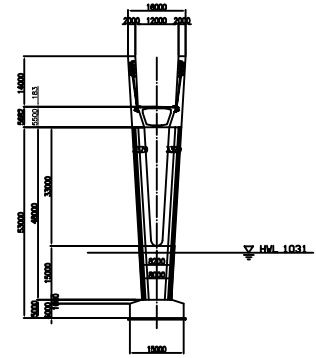
16. All signs shall be made of aluminum or galvanized iron sheet, 2 mm thick, and shall be painted on standard traffic sign colors.

ETHIOPIA ROAD AUTHORITY THE FEDERAL DEMOCRATIC REPUBLIC OF ETHIOPIA	THE PROJECT FOR REHABILITATION OF TRUNK ROAD PHASE III IN THE FEDERAL DEMOCRATIC REPUBLIC OF ETHIOPIA	ORIENTAL CONSULTANTS CO.,LTD IN ASSOCIATION WITH JAPAN ENGINEERING CONSULTANTS CO.,LTD	Traffic Sign Post and Kilometer Post	SCALE	ETHIOPIA ROAD AUTHORITY THE FEDERAL DEMOCRATIC REPUBLIC OF ETHIOPIA	DESIGN	ORIENTAL CONSULTANTS CO.,LTD IN ASSOCIATION WITH JAPAN ENGINEERING CONSULTANTS CO.,LTD	REVIEW	DATE	SHEET NO
				3-1:100		DATE		DATE		
						04.05.22		04.05.22	May 2004	32

3-88



PROPOSED HEIGHT	GROUND HEIGHT	ACCUMULATED DISTANCE	DISTANCE	STATION	CURVE DATA
1000	1000	0	0	0+00	
1000	1000	1000	1000	1+00	
1000	1000	2000	2000	2+00	
1000	1000	3050	3050	3+05	
1000	1000	4000	4000	4+00	
1000	1000	5000	5000	5+00	
1000	1000	6450	6450	6+45	
1000	1000	7000	7000	7+00	
1000	1000	8000	8000	8+00	
1000	1000	9000	9000	9+00	
1000	1000	10000	10000	10+00	
1000	1000	11000	11000	11+00	
1000	1000	12000	12000	12+00	
1000	1000	13000	13000	13+00	
1000	1000	145000	145000	145+00	
1000	1000	15000	15000	15+00	
1000	1000	16000	16000	16+00	
1000	1000	17000	17000	17+00	
1000	1000	18000	18000	18+00	
1000	1000	19000	19000	19+00	
1000	1000	20000	20000	20+00	
1000	1000	21000	21000	21+00	
1000	1000	22000	22000	22+00	
1000	1000	23000	23000	23+00	
1000	1000	24000	24000	24+00	
1000	1000	25000	25000	25+00	
1000	1000	26000	26000	26+00	
1000	1000	27000	27000	27+00	
1000	1000	28000	28000	28+00	
1000	1000	29000	29000	29+00	
1000	1000	30000	30000	30+00	
1000	1000	31000	31000	31+00	
1000	1000	32000	32000	32+00	
1000	1000	33000	33000	33+00	
1000	1000	34000	34000	34+00	
1000	1000	35000	35000	35+00	
1000	1000	36000	36000	36+00	
1000	1000	37000	37000	37+00	
1000	1000	38000	38000	38+00	
1000	1000	39000	39000	39+00	
1000	1000	40000	40000	40+00	
1000	1000	41000	41000	41+00	
1000	1000	42000	42000	42+00	
1000	1000	43000	43000	43+00	
1000	1000	44000	44000	44+00	
1000	1000	45000	45000	45+00	
1000	1000	46000	46000	46+00	
1000	1000	47000	47000	47+00	
1000	1000	48000	48000	48+00	
1000	1000	49000	49000	49+00	
1000	1000	50000	50000	50+00	



ETHIOPIA ROAD AUTHORITY THE FEDERAL DEMOCRATIC REPUBLIC OF ETHIOPIA	THE PROJECT FOR REHABILITATION OF TRUNK ROAD PHASE II IN THE FEDERAL DEMOCRATIC REPUBLIC OF ETHIOPIA	ORIENTAL CONSULTANTS CO.LTD IN ASSOCIATION WITH JAPAN ENGINEERING CONSULTANTS CO.LTD	GENERAL BRIDGE PLAN	SCALE D=1:800 E=1:100	ETHIOPIA ROAD AUTHORITY THE FEDERAL DEMOCRATIC REPUBLIC OF ETHIOPIA DATE 04.05.##	DESIGNER ORIENTAL CONSULTANTS CO.LTD IN ASSOCIATION WITH JAPAN ENGINEERING CONSULTANTS CO.LTD DATE 04.05.##	REVIEWER DATE 04.05.##	DATE May 2004	SHEET NO 33
---	--	--	---------------------	-----------------------------	--	---	---------------------------	------------------	----------------

