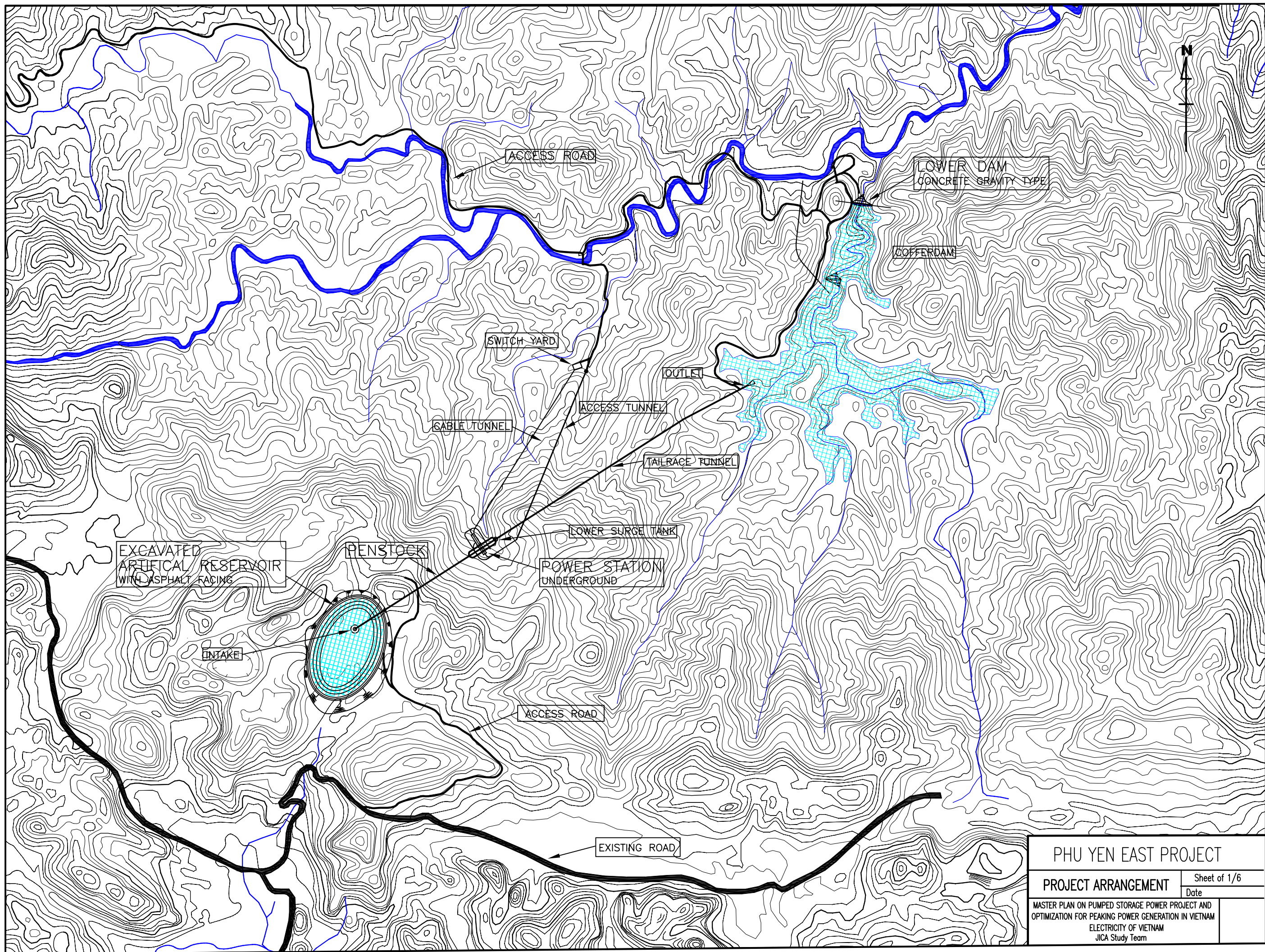
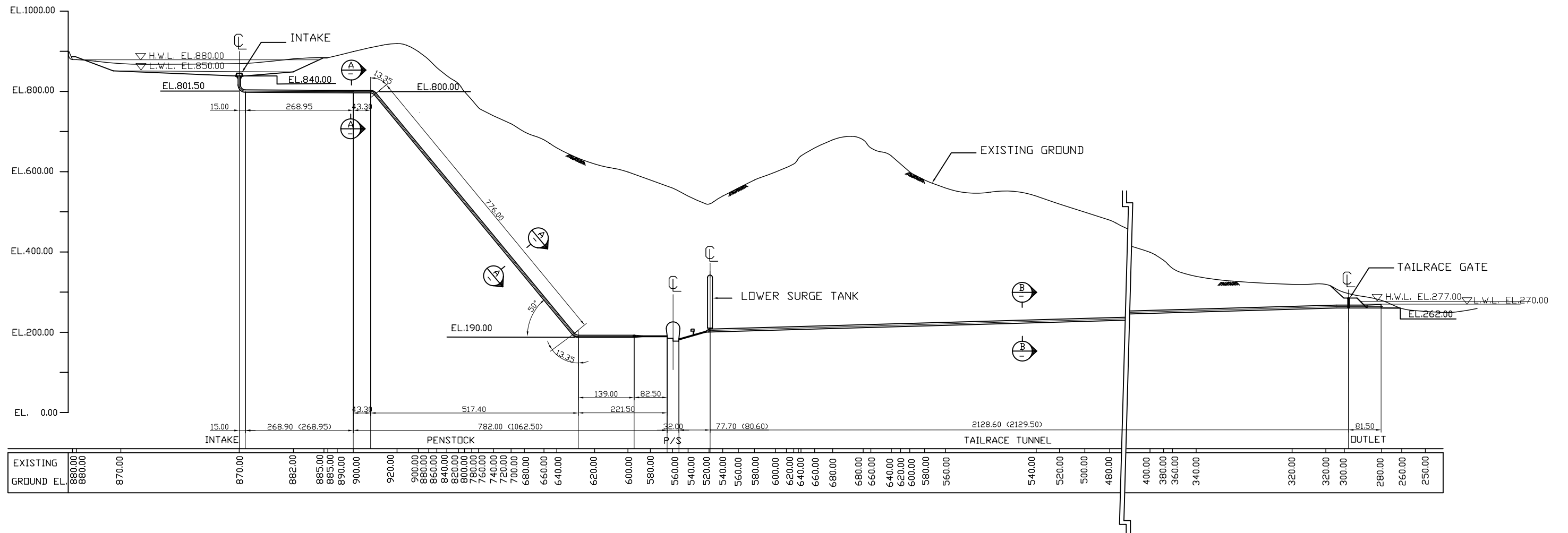


## **APPENDIX 4-7-1**

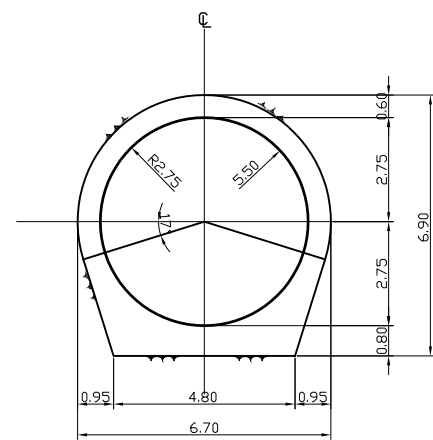
### **Drawings of Phu Yen East site**



<b>PHU YEN EAST PROJECT</b>	
<b>PROJECT ARRANGEMENT</b>	Sheet of 1/6
	Date
MASTER PLAN ON PUMPED STORAGE POWER PROJECT AND OPTIMIZATION FOR PEAKING POWER GENERATION IN VIETNAM ELECTRICITY OF VIETNAM JICA Study Team	

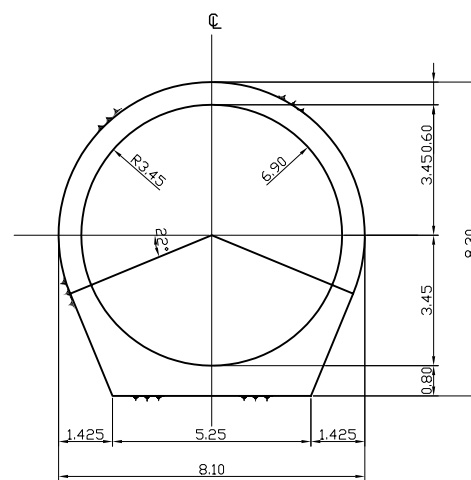


LONGITUDINAL SECTION (SCALE A)



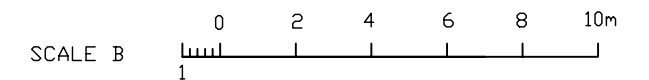
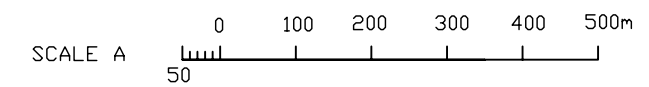
PENSTOCK

SECTION A  
SCALE B



TAILRACE TUNNEL

SECTION B  
SCALE B



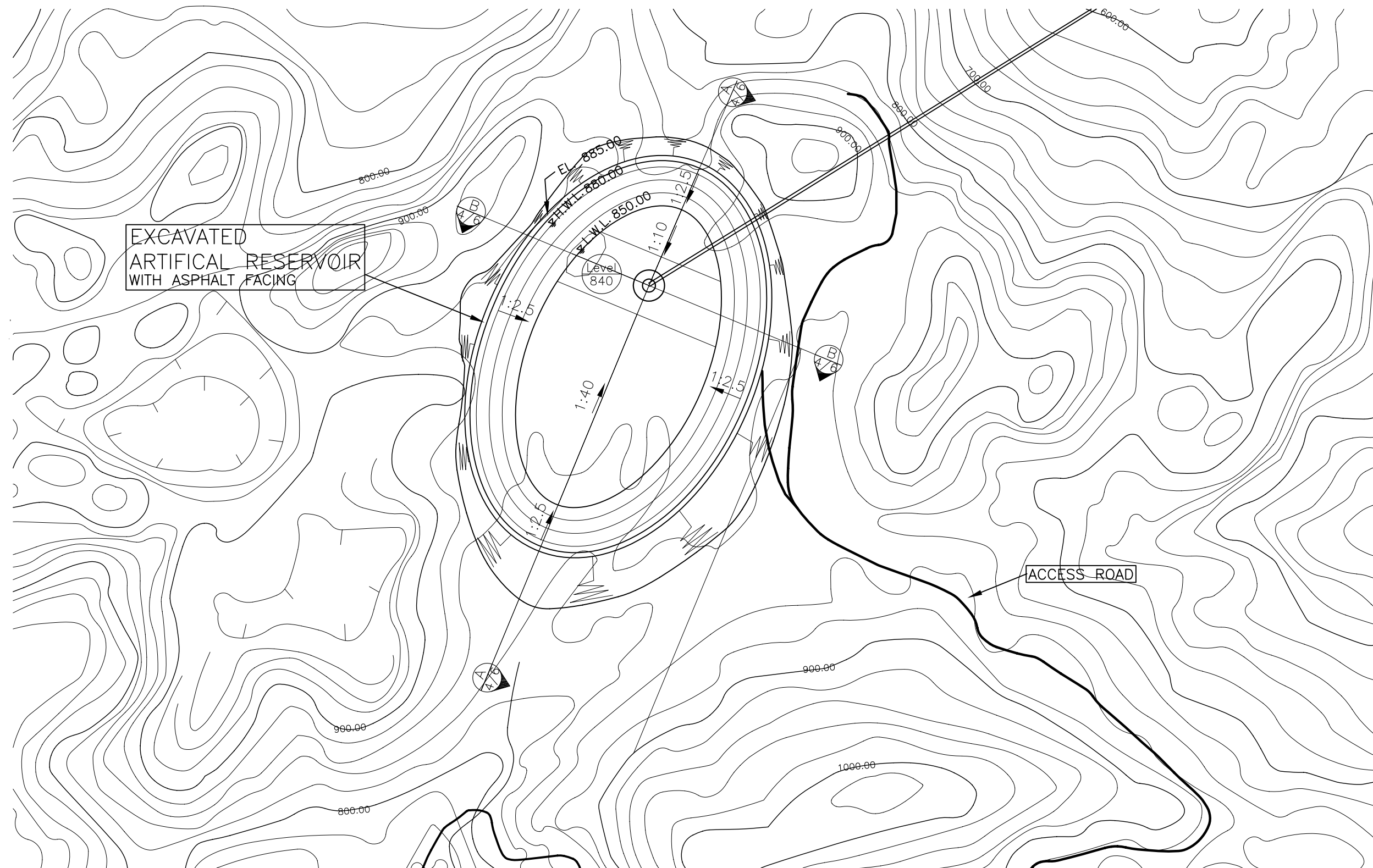
PHU YEN EAST PROJECT

WATERWAY SECTION

Sheet of 2/6

Date

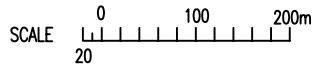
MASTER PLAN ON PUMPED STORAGE POWER PROJECT AND  
OPTIMIZATION FOR PEAKING POWER GENERATION IN VIETNAM  
ELECTRICITY OF VIETNAM  
JICA Study Team



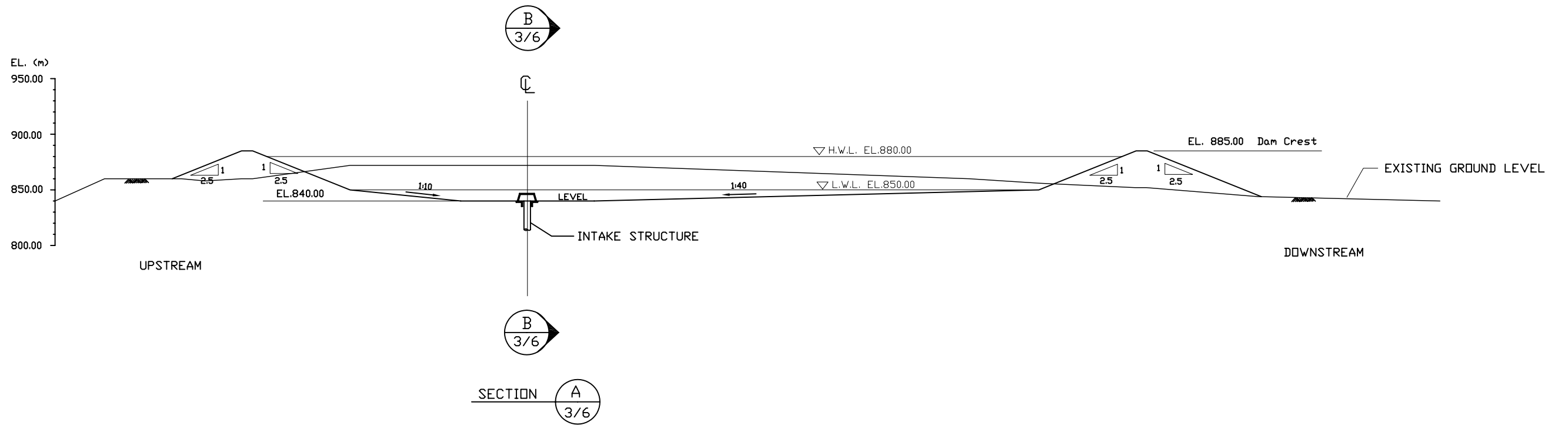
EXCAVATED  
ARTIFICIAL RESERVOIR  
WITH ASPHALT FACING

ACCESS ROAD

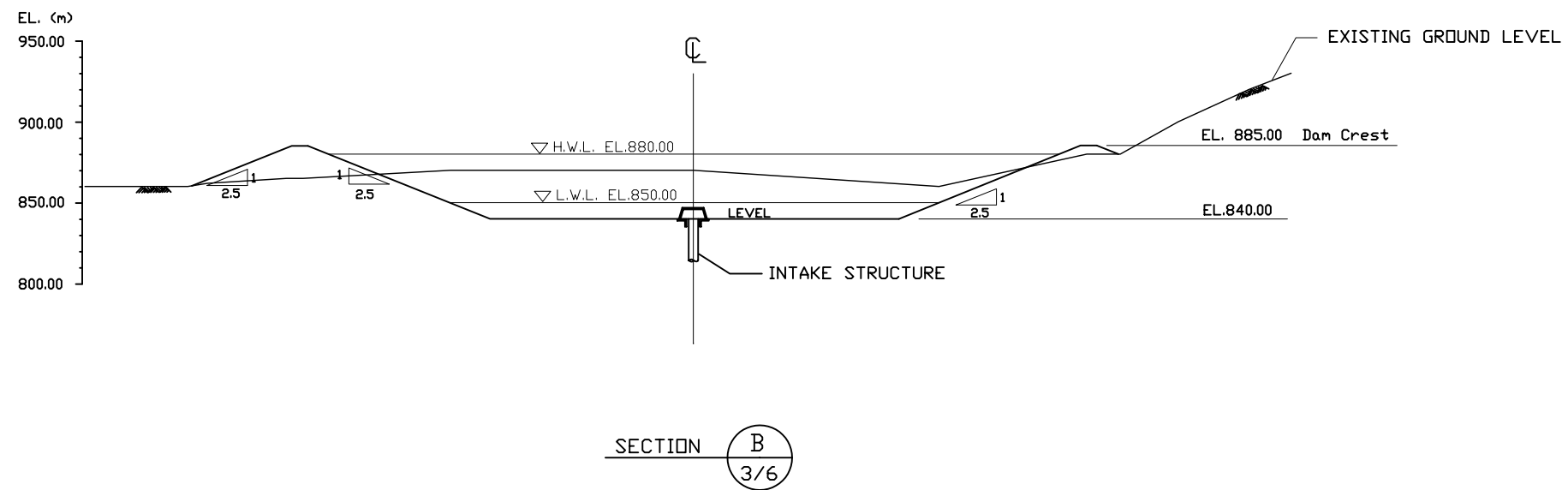
PLAN OF UPPER DAM AND RESERVOIR



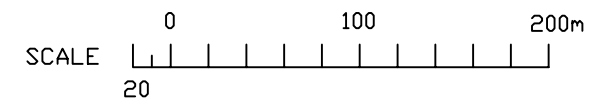
PHU YEN EAST PROJECT	
UPPER RESERVOIR PLAN	Sheet of 3/6
	Date
MASTER PLAN ON PUMPED STORAGE POWER PROJECT AND OPTIMIZATION FOR PEAKING POWER GENERATION IN VIETNAM ELECTRICITY OF VIETNAM JICA Study Team	



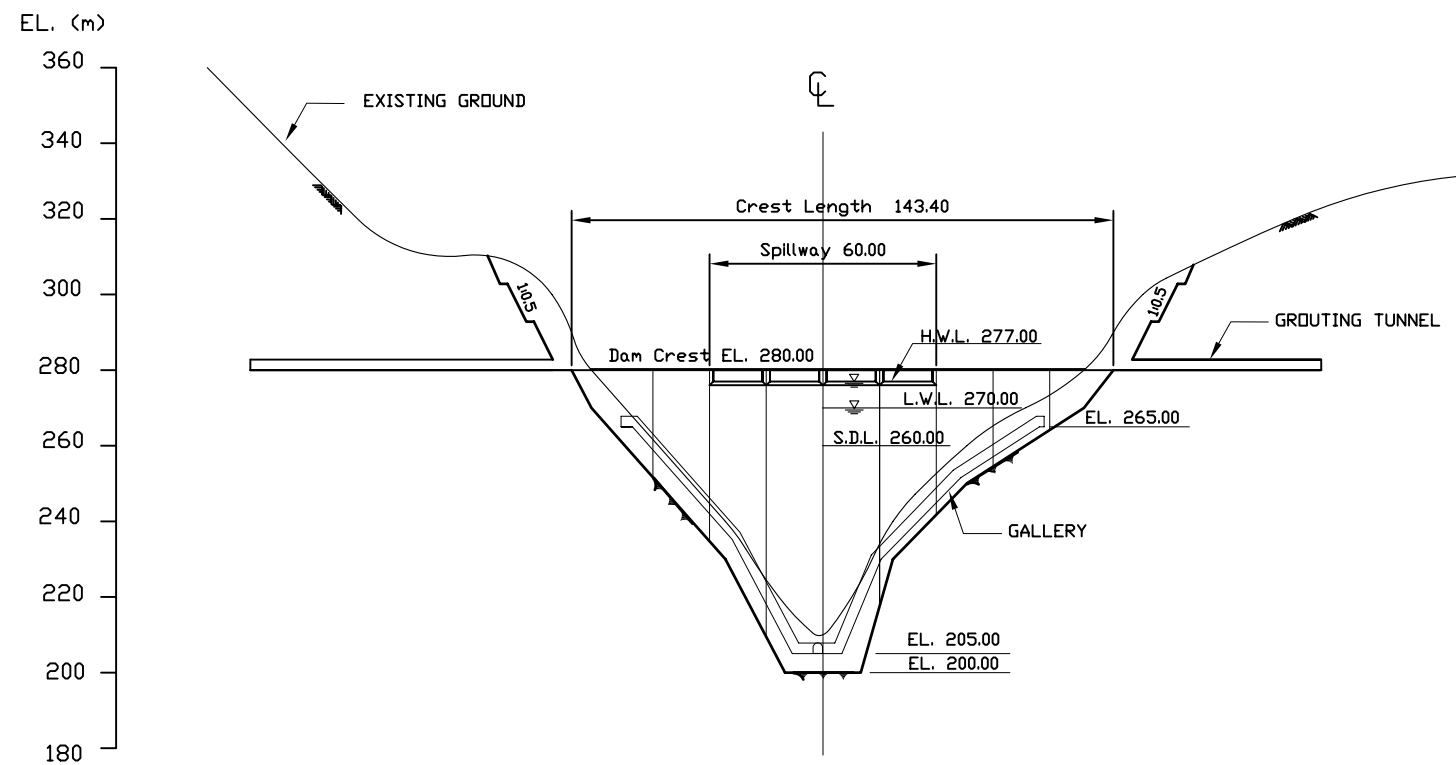
SECTION A  
3/6  
LONGITUDINAL SECTION OF RESERVOIR



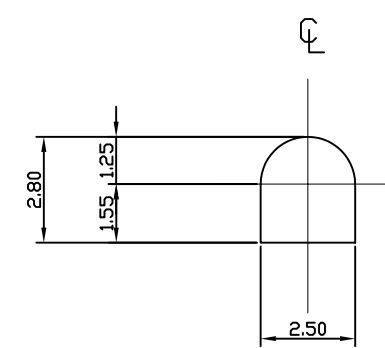
SECTION B  
3/6  
CROSS SECTION OF RESERVOIR



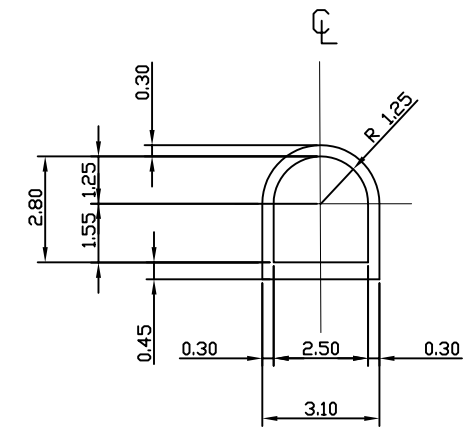
PHU YEN EAST PROJECT	
UPPER RESERVOIR SECTIONS	Sheet of 4/6
Date	
MASTER PLAN ON PUMPED STORAGE POWER PROJECT AND OPTIMIZATION FOR PEAKING POWER GENERATION IN VIETNAM ELECTRICITY OF VIETNAM JICA Study Team	



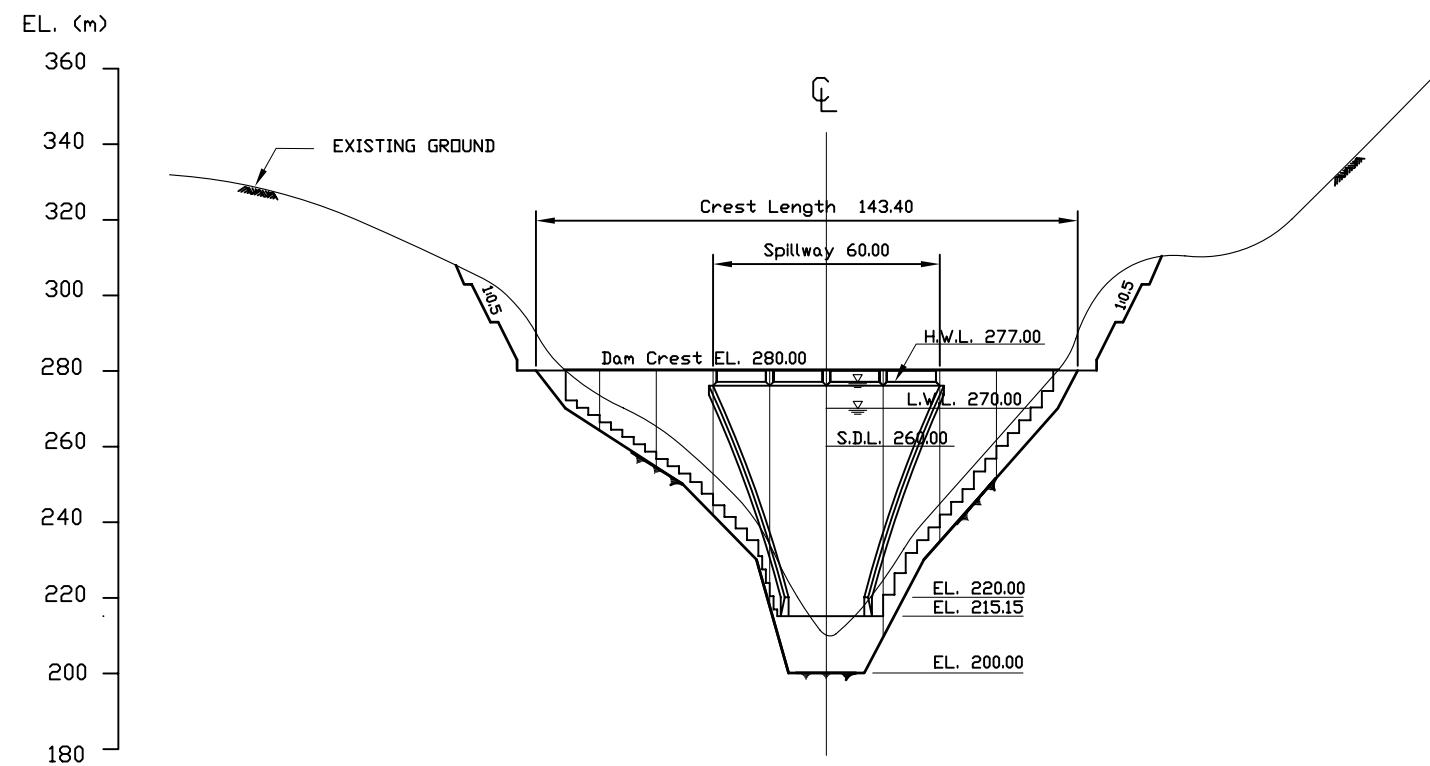
CROSS SECTION OF DAM (UPSTREAM SIDE)  
SCALE A



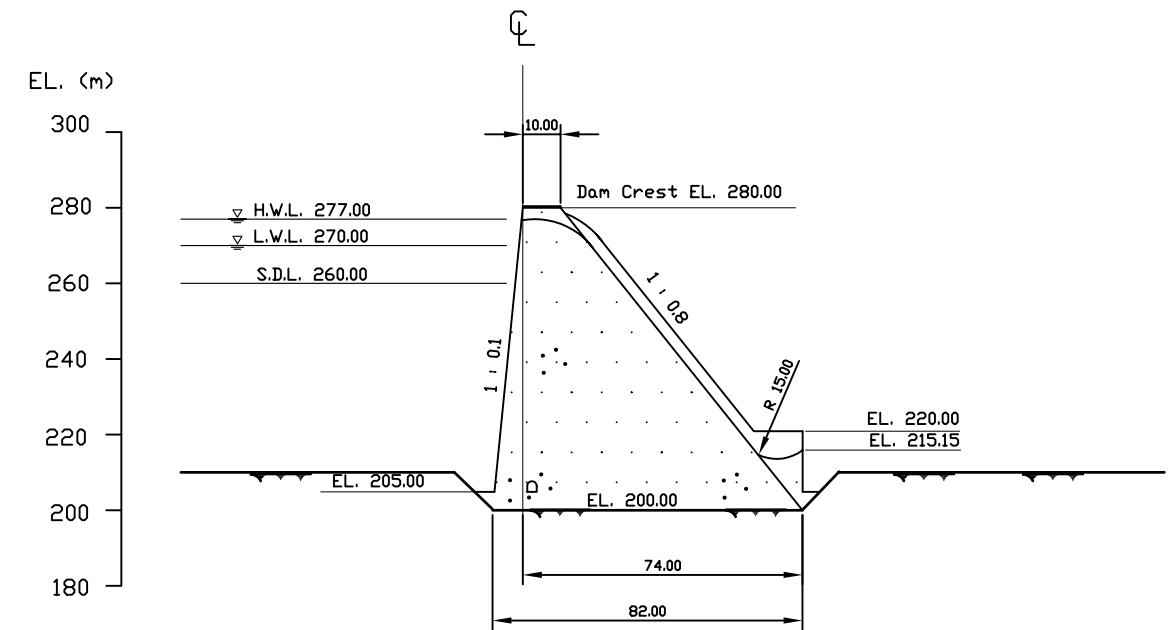
TYPICAL CROSS SECTION  
OF GALLERY  
SCALE B



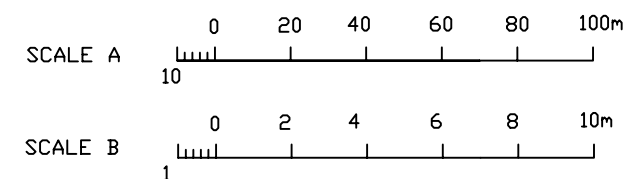
TYPICAL CROSS SECTION  
OF GROUTING TUNNEL  
SCALE B



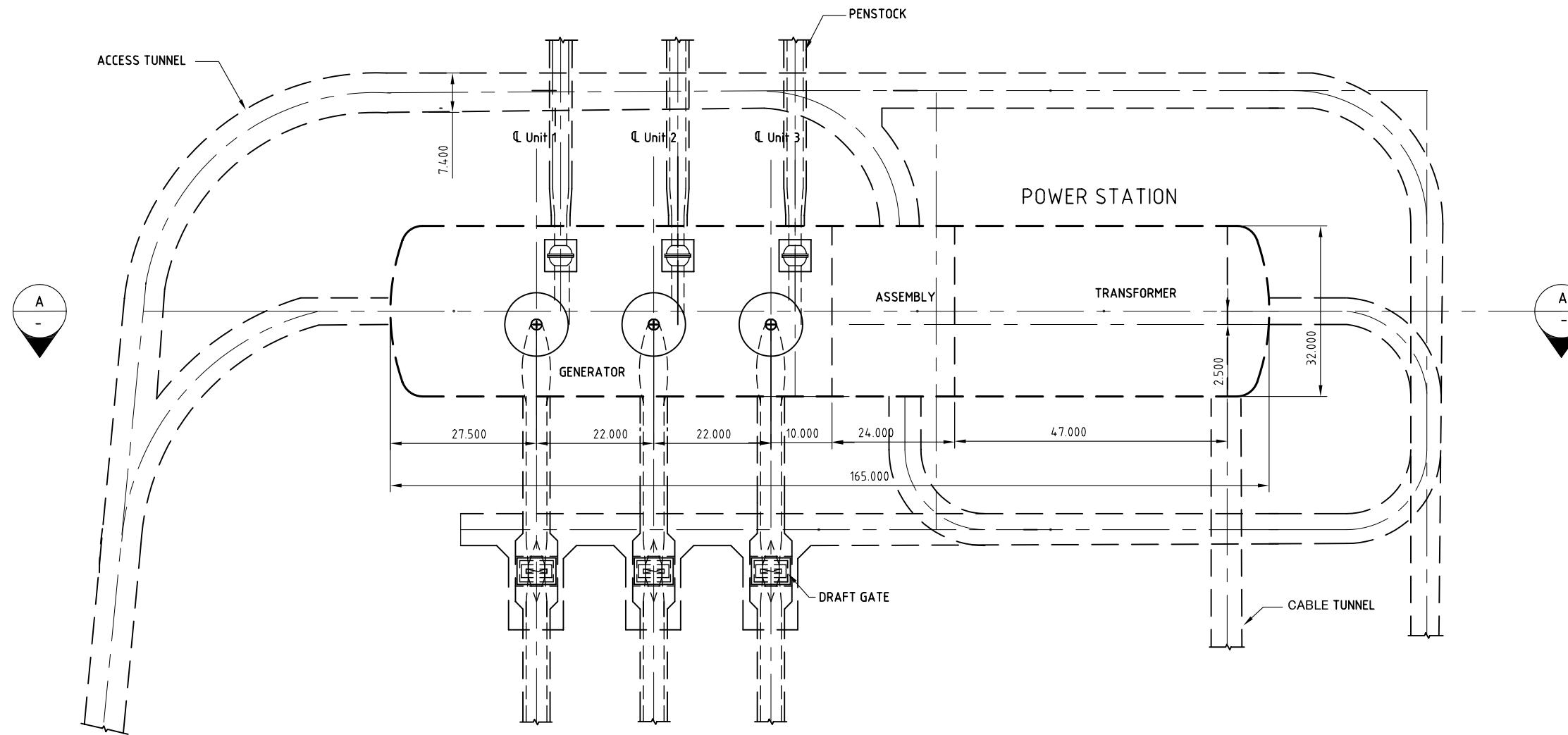
CROSS SECTION OF DAM (DOWNSTREAM SIDE)  
SCALE A



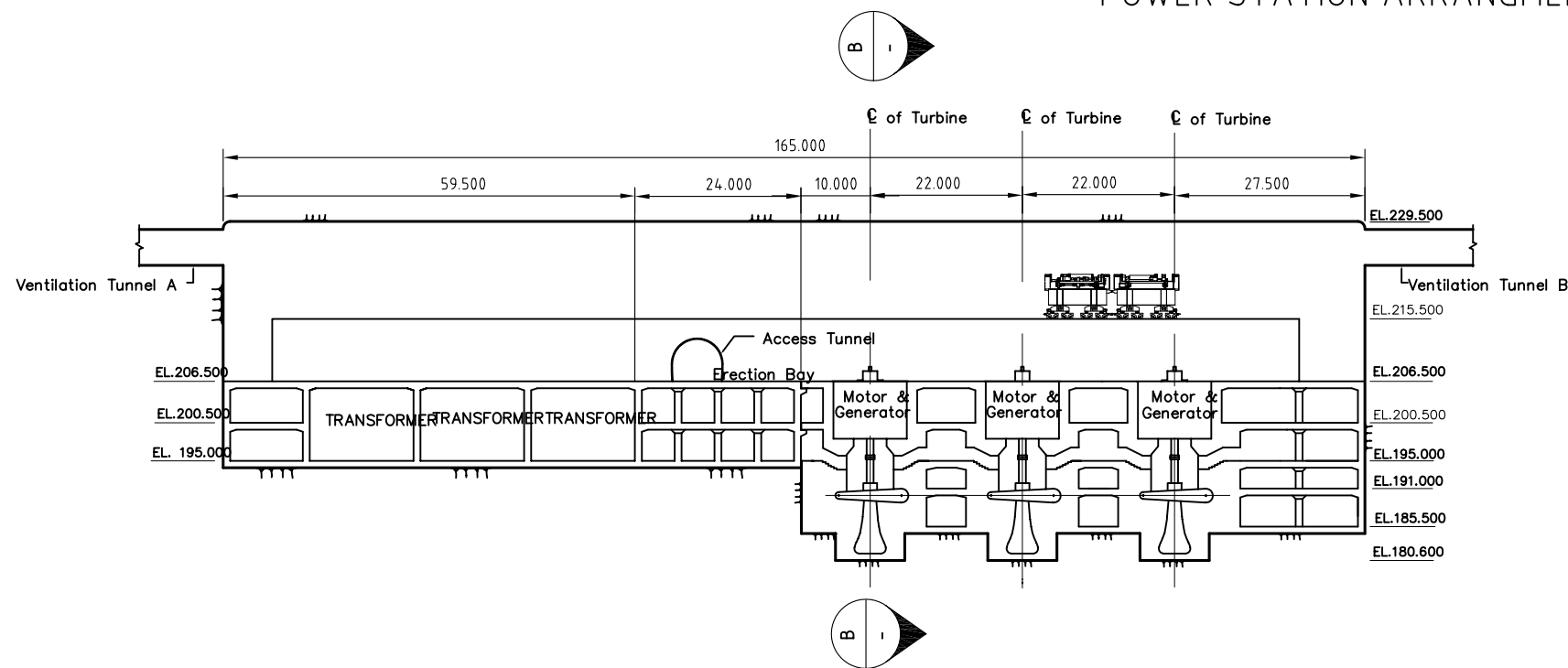
SECTION ALONG CENTERLINE OF DAM CREST  
SCALE A



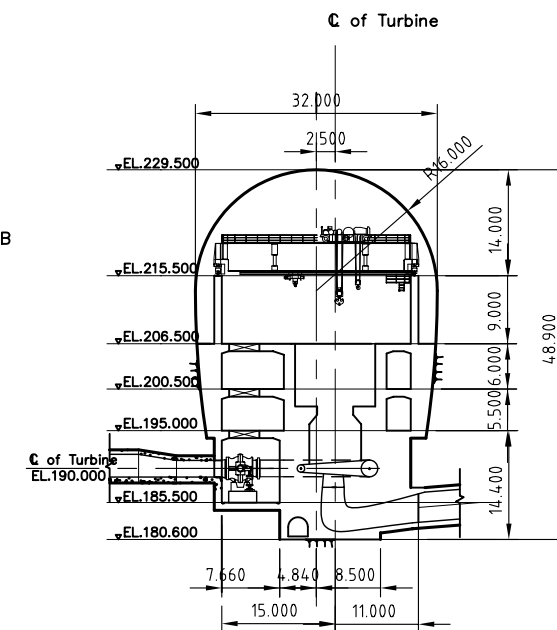
PHU YEN EAST PROJECT	
LOWER DAM PLAN	Sheet of 5/6
Date	
MASTER PLAN ON PUMPED STORAGE POWER PROJECT AND OPTIMIZATION FOR PEAKING POWER GENERATION IN VIETNAM ELECTRICITY OF VIETNAM JICA Study Team	



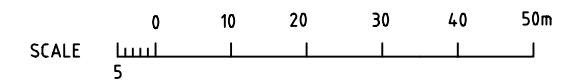
POWER STATION ARRANGMENT



POWER STATION LONGITUDINAL SECTION  
(SECTION A)



POWER STATION SECTION  
(SECTION B)



PHU YEN EAST PROJECT	
POWER STATION PLAN	Sheet of 6/6
	Date
MASTER PLAN ON PUMPED STORAGE POWER PROJECT AND OPTIMIZATION FOR PEAKING POWER GENERATION IN VIETNAM	
ELECTRICITY OF VIETNAM	
JICA Study Team	