

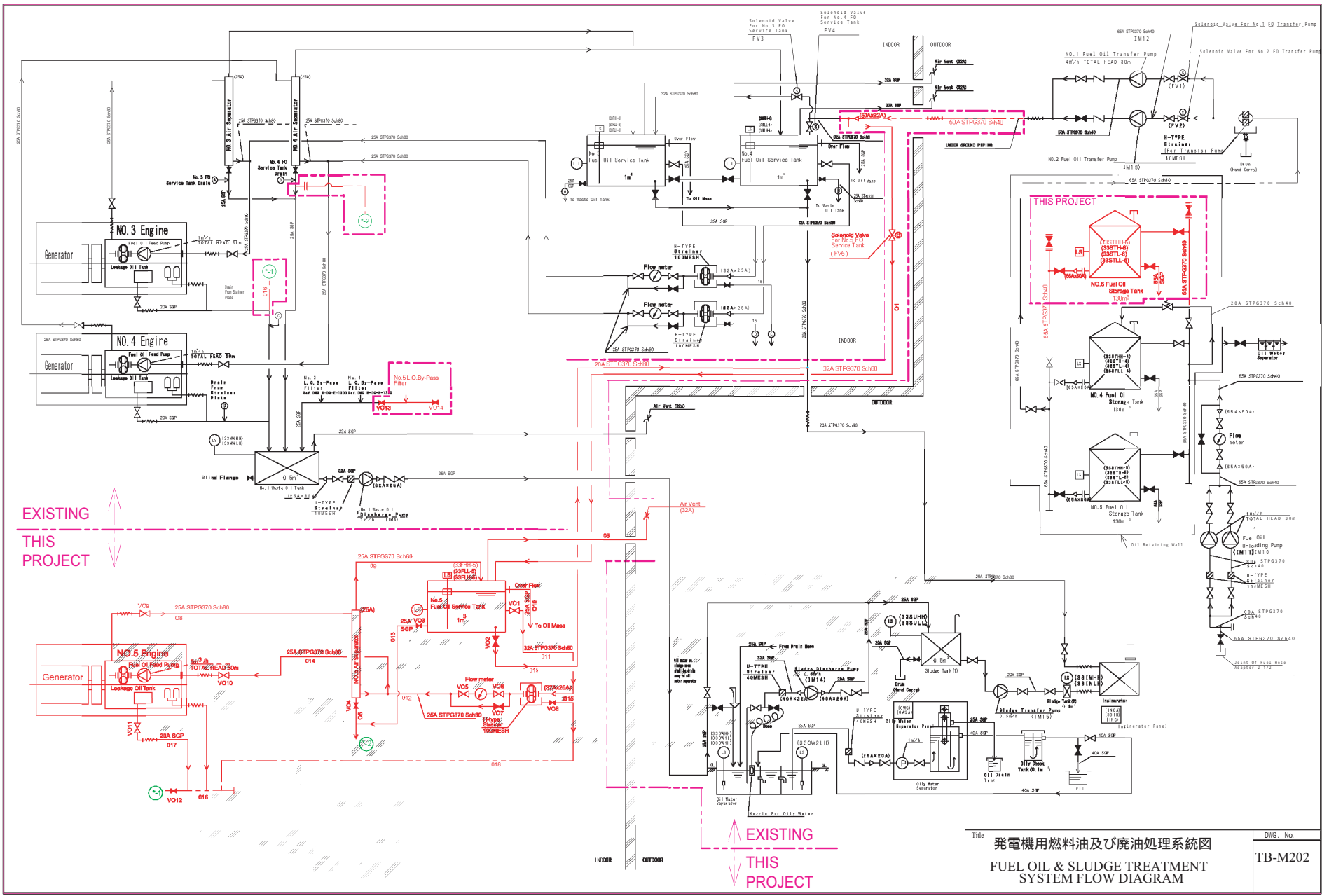
PIPING SYMBOL	
	PIPING LINE
	INSULATED PIPING LINE (LAGGING)
	CONNECTED PIPE
	NON-CONNECTED PIPE
	GLOBE VALVE (OPEN)
	GLOBE VALVE (CLOSE)
	BUTTERFLY VALVE
	CHECK VALVE
	THREE WAY VALVE
	AUTOMATIC TEMP. CONTROL VALVE
	PRESS. REGULATING VALVE
	SOLENOID VALVE
	FLOW TOTALIZER AND INDICATOR
	SAFETY VALVE
	MOTOR VALVE
	PUMP
	SINGLE FILTER
	Y TYPE STRAINER
	DUPLEX FILTER
	COCK
	THREE-WAY COCK
	EXPANSION JOINT
	FLEXIBLE JOINT
	REDUCER
	AIR VENT

GRAPHIC SYMBOL	
	LOCAL
	LOCAL PANEL
	PANEL

PIPING SYMBOL	
	P4 PRESSURE GAUGE
	PS PRESSURE SWITCH
	T1 TEMPERATURE INDICATOR
	TS TEMPERATURE SWITCH
	LI LEVEL INDICATOR
	LS LEVEL SWITCH
	FA FLAME ARRESTER
	FS FLOW SWITCH
	OD OIL MIST DETECTOR

Title 全体系統圖
KEY FLOW DIAGRAM

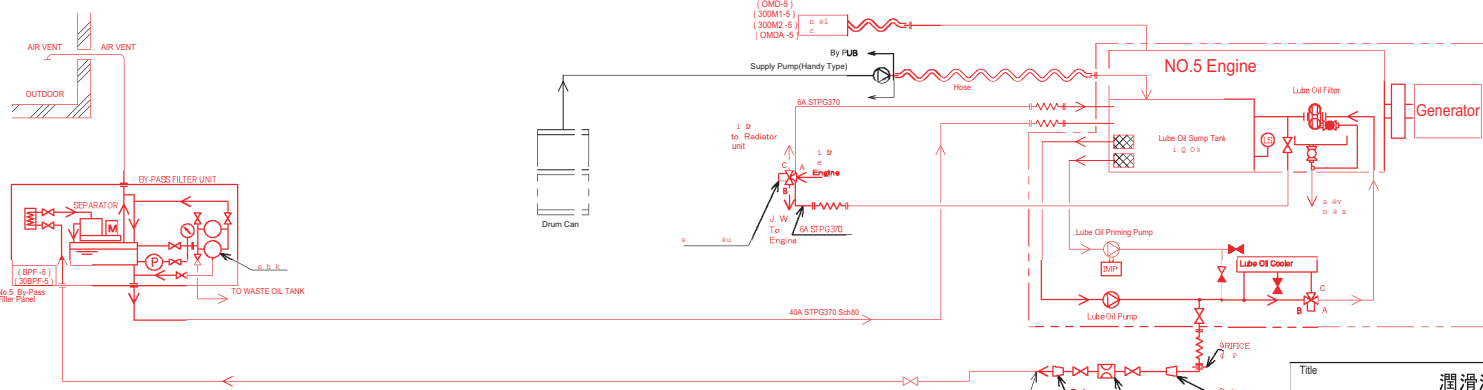
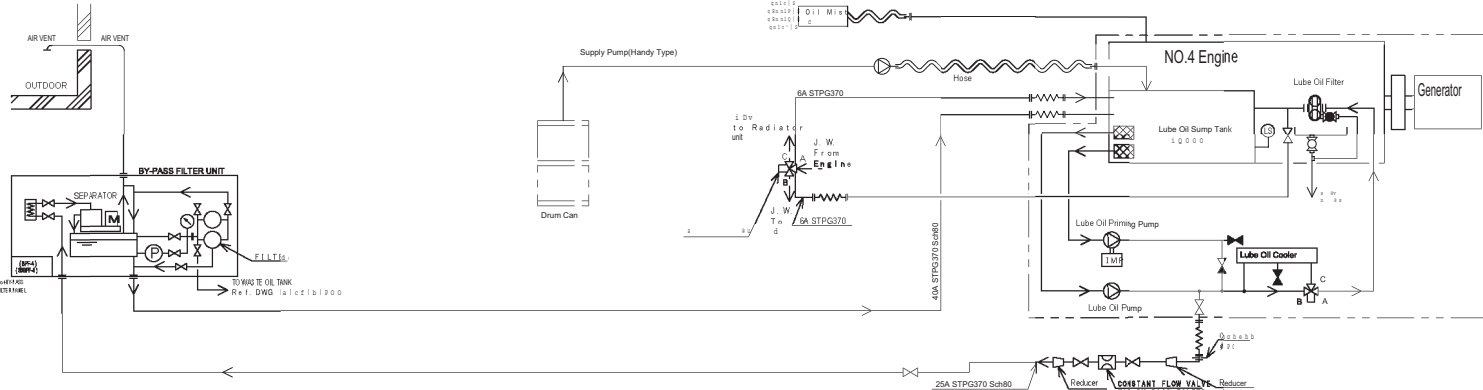
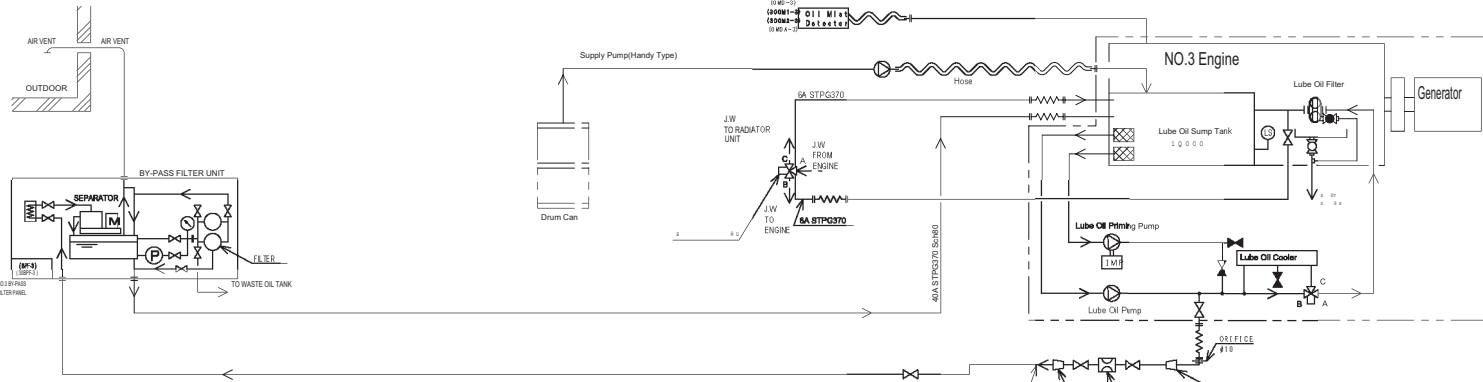
DWG. No TB-M201



EXISTING
 THIS PROJECT

EXISTING
 THIS PROJECT

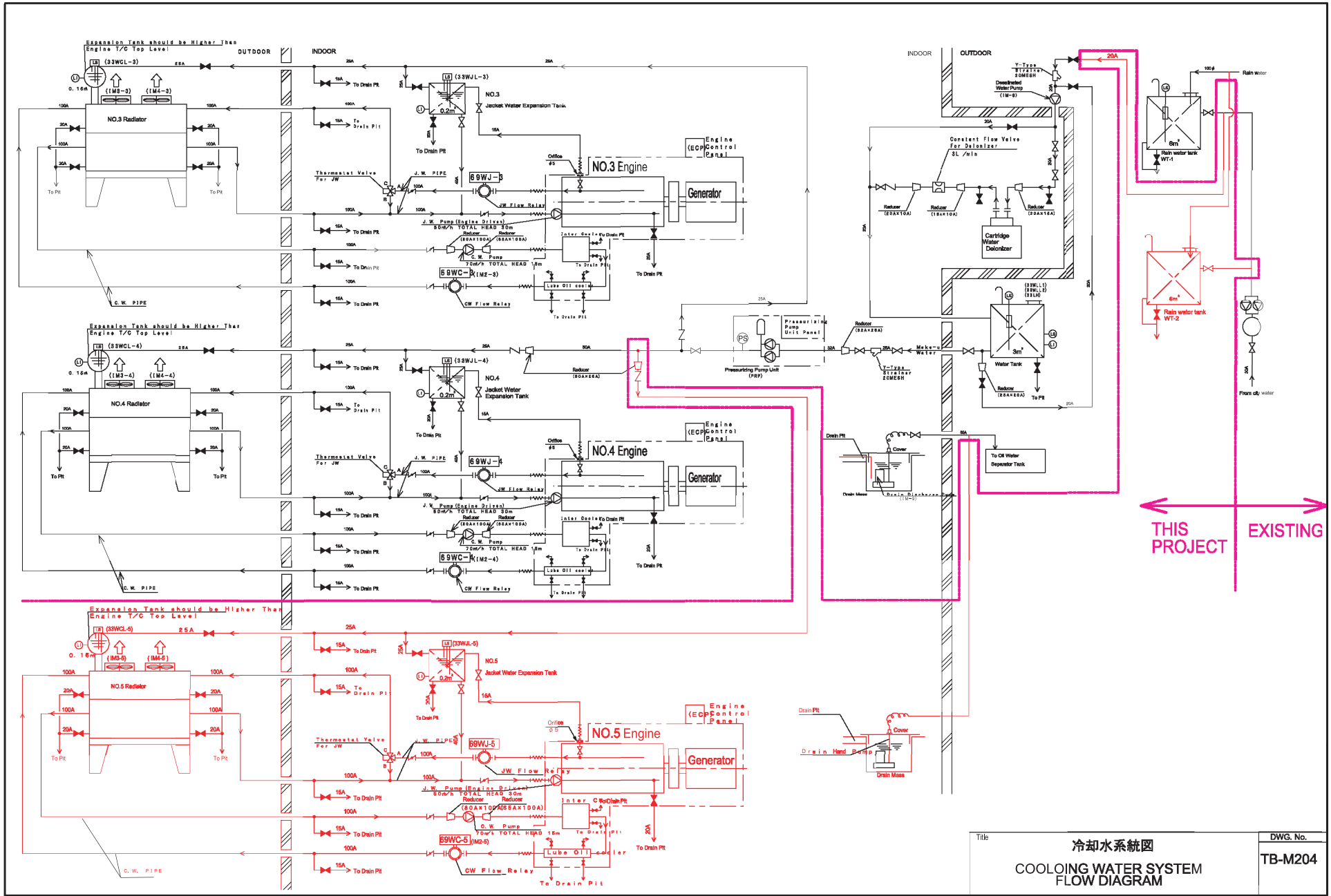
Title 発電機用燃料油及び廃油処理系統図
 FUEL OIL & SLUDGE TREATMENT SYSTEM FLOW DIAGRAM
 DWG. No. TB-M202



EXISTING
THIS PROJECT

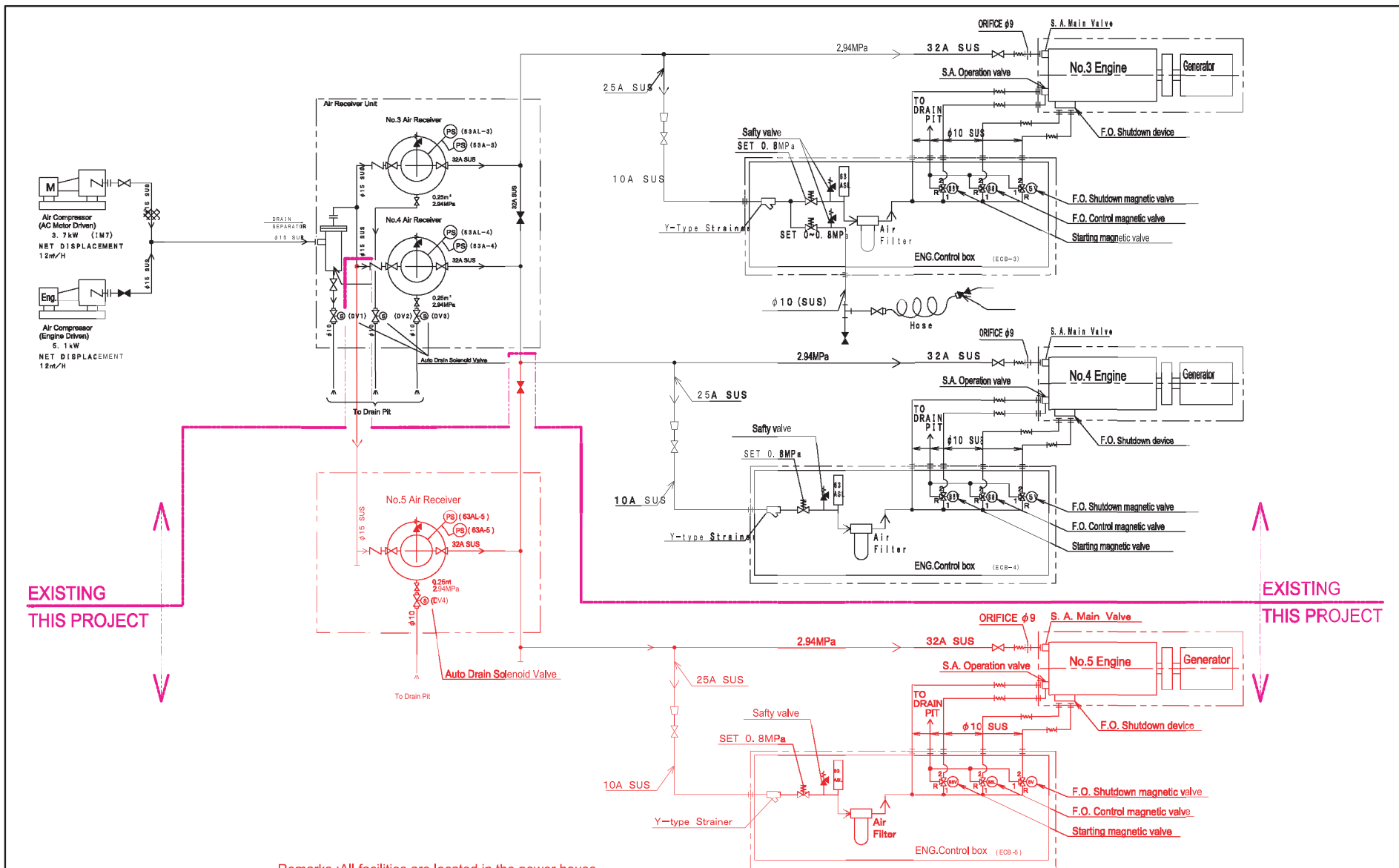
Remarks :All facilities are located in the power house.

Title 潤滑油系統圖 LUBRICATION SYSTEM FLOW DIAGRAM	DWG. No. TB-M203
---	---------------------



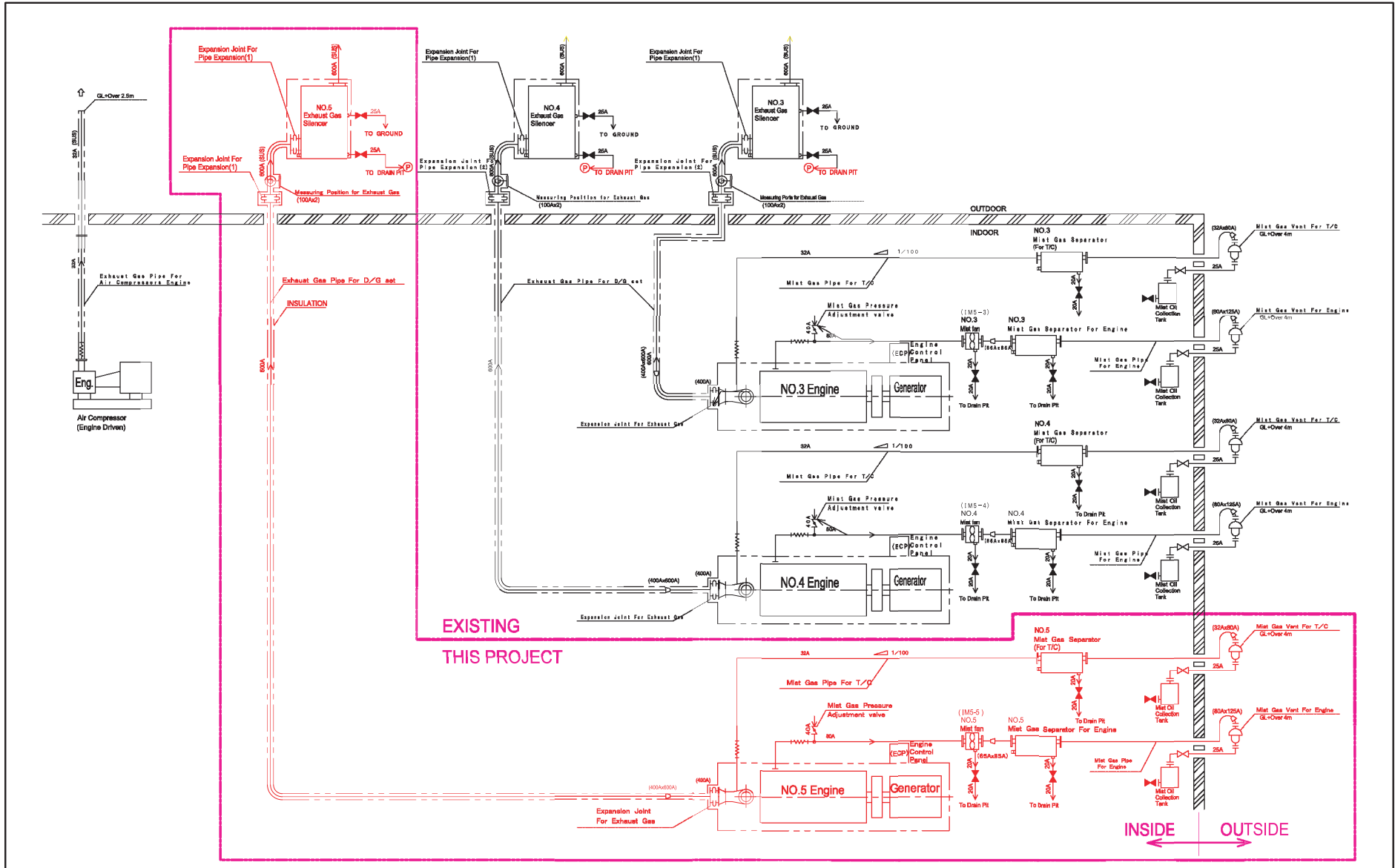
THIS PROJECT
EXISTING

<p>Title 冷却水系統圖 COOLING WATER SYSTEM FLOW DIAGRAM</p>	<p>DWG. No. TB-M204</p>
--	------------------------------------



Remarks :All facilities are located in the power house.

Title	圧縮空気系統図	DWG. No.
	COMPRESSED AIR SYSTEM FLOW DIAGRAM	TB-M205

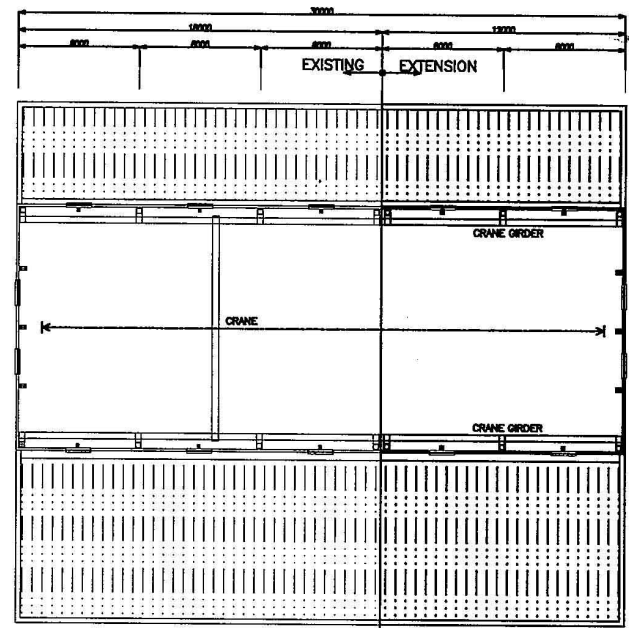
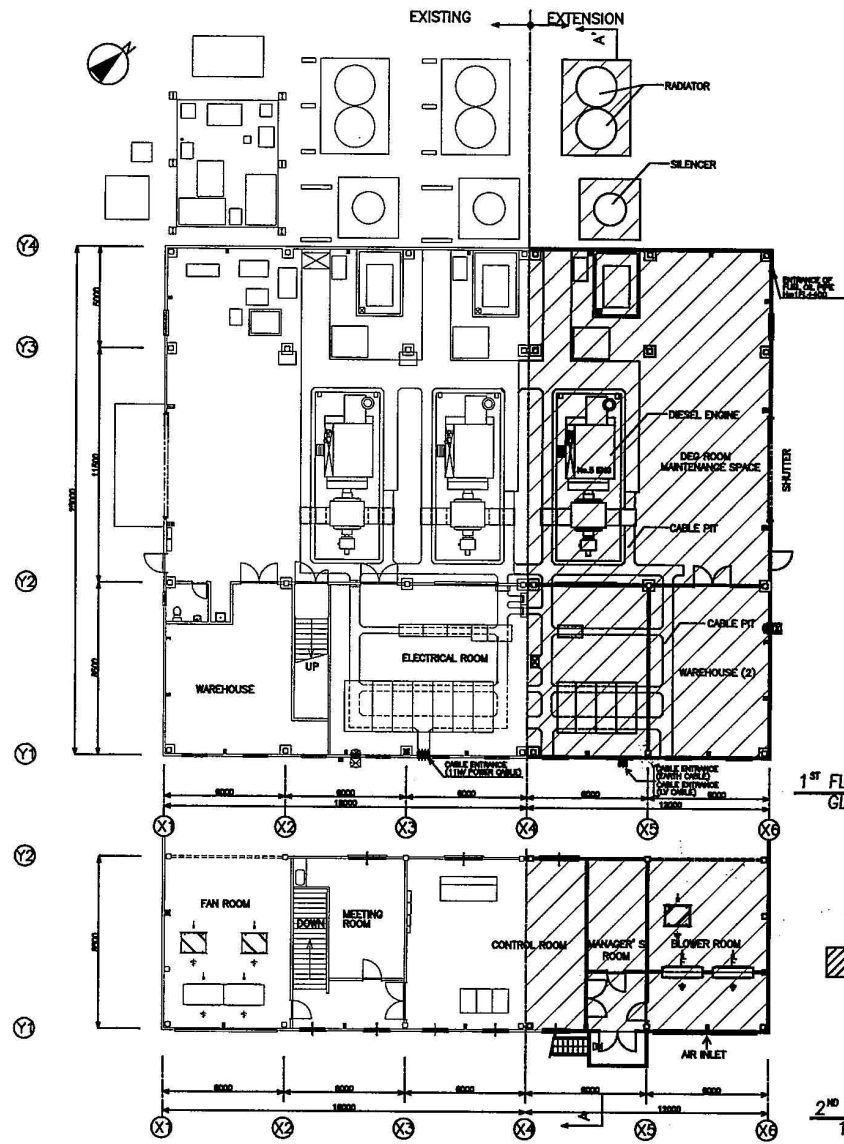


Remarks
 1. LAGGING

Title
吸排氣系統圖
 AIR INTAKE & EXHAUST GAS SYSTEM
 FLOW DIAGRAM

DWG. No.
TB-M206

1.GENERAL		4.DOORS & WINDOWS SCHEDULES					
SITE AREA	3,000.00m ²		ITEM	QUANTITY	SIZE(WxH)	REMARK	
BUILDING AREA	450.00m ² (EXISTING) + 300.00m ² (EXTENSION) = 750m ²						
TOTAL BUILDING AREA	603.00m ² (EXISTING) + 402.00m ² (EXTENSION)=1005m ²						
UNDER GROUND	R.C. CONSTRUCTION	⊙ SS 1	STEEL SHUTTER	1	500x4500	•ELECTRIC SHUTTER •SMOKEPROOF TYPE •PAINT FINISH	
UPPER GROUND	STEEL STRUCTURE	⊙ AW 1	ALUMINIUM WINDOW	1	1200x1200	•HORIZONTAL SLIDING •CLEAR FLOAT GLASS, t=5mm	
2.EXTERIOR FINISHING		⊙ AW 2	ALUMINIUM WINDOW	7	1800x1200	•HORIZONTAL SLIDING(DOUBLE SASH) •CLEAR FLOAT GLASS, t=5mm	
ROOF	SHELL(RIBBED) ROOF h=150mm ACID-RESISTANT HIGH-POLYMER CLAD STEEL SHEET t=0.8mm	⊙ AW 3	ALUMINIUM WINDOW	5	1200x600	•TOP-HINGED OUTSWINGING •TINTED GLASS, t=5mm	
EXTERIOR WALL	RIBBED WALL CLADDING h=38mm ACID-RESISTANT HIGH-POLYMER CLAD STEEL SHEET t=0.6mm	⊙ AW 4	ALUMINIUM WINDOW	1	600x600	•TOP-HINGED OUTSWINGING •PATTERN GLASS, t=5mm	
BASEBOARD	PAINT FINISH ON CONCRETE	⊙ AW 5	ALUMINIUM WINDOW	1	3000x1200	•FIX(DOUBLE SASH) •CLEAR FLOAT GLASS, t=5mm	
3.INTERIOR FINISHING		⊙ AD 1	ALUMINIUM DOOR	1	900x2000		
ITEM	FINISHING/SPECIFICATION	⊙ AD 3	ALUMINIUM DOOR	2	1800X2000		
DEG ROOM	FLOOR	CONCRETE STEEL TROWEL FINISH/OILPROOF PAINT FINISH	⊙ AD 4	ALUMINIUM DOOR	1	900x2000	•AIR TIGHT
	WALL	GLASSWOOL ACOUSTIC BOARD t=50mm SOUND PROOF CEMENT BOARD t=12.3mm	⊙ AG 1	ALUMINIUM LOUVER	1	5000x1200	
	CEILING	GLASSWOOL ACOUSTIC BOARD t=50mm SOUND PROOF CEMENT BOARD t=12.3mm	⊙ AG 2	ALUMINIUM LOUVER	2	9000x1200	
ELECTRICAL ROOM	FLOOR	CONCRETE STEEL TROWEL FINISH/DUSTPROOF PAINT FINISH					
	WALL	CEMENT BOARD, PAINT FINISH					
	CEILING	-					
CONTROL ROOM	FLOOR	DECKPLATE RC FLOOR, POLYVINYL TILE					
	WALL	CEMENT BOARD, PAINT FINISH					
	CEILING	ROCKWOOL SYSTEM CEILING BOARD(300x600)					
WAREHOUSE	FLOOR	CONCRETE STEEL TROWEL FINISH/DUSTPROOF PAINT FINISH					
	WALL	CEMENT BOARD, PAINT FINISH					
	CEILING	-					
VENTILATION FAN ROOM	FLOOR	CONCRETE STEEL TROWEL FINISH/DUSTPROOF PAINT FINISH					
	WALL	CEMENT BOARD, PAINT FINISH					
	CEILING	CEMENT BOARD, PAINT FINISH					
MANAGER'S ROOM	FLOOR	DECKPLATE RC FLOOR, POLYVINYL TILE					
	WALL	CEMENT BOARD, PAINT FINISH					
	CEILING	ROCKWOOL SYSTEM CEILING BOARD(300x600)					



Title	發電所建屋平面圖 PLAN OF POWERHOUSE	DWG. No.	TB-A202
-------	--------------------------------	----------	---------