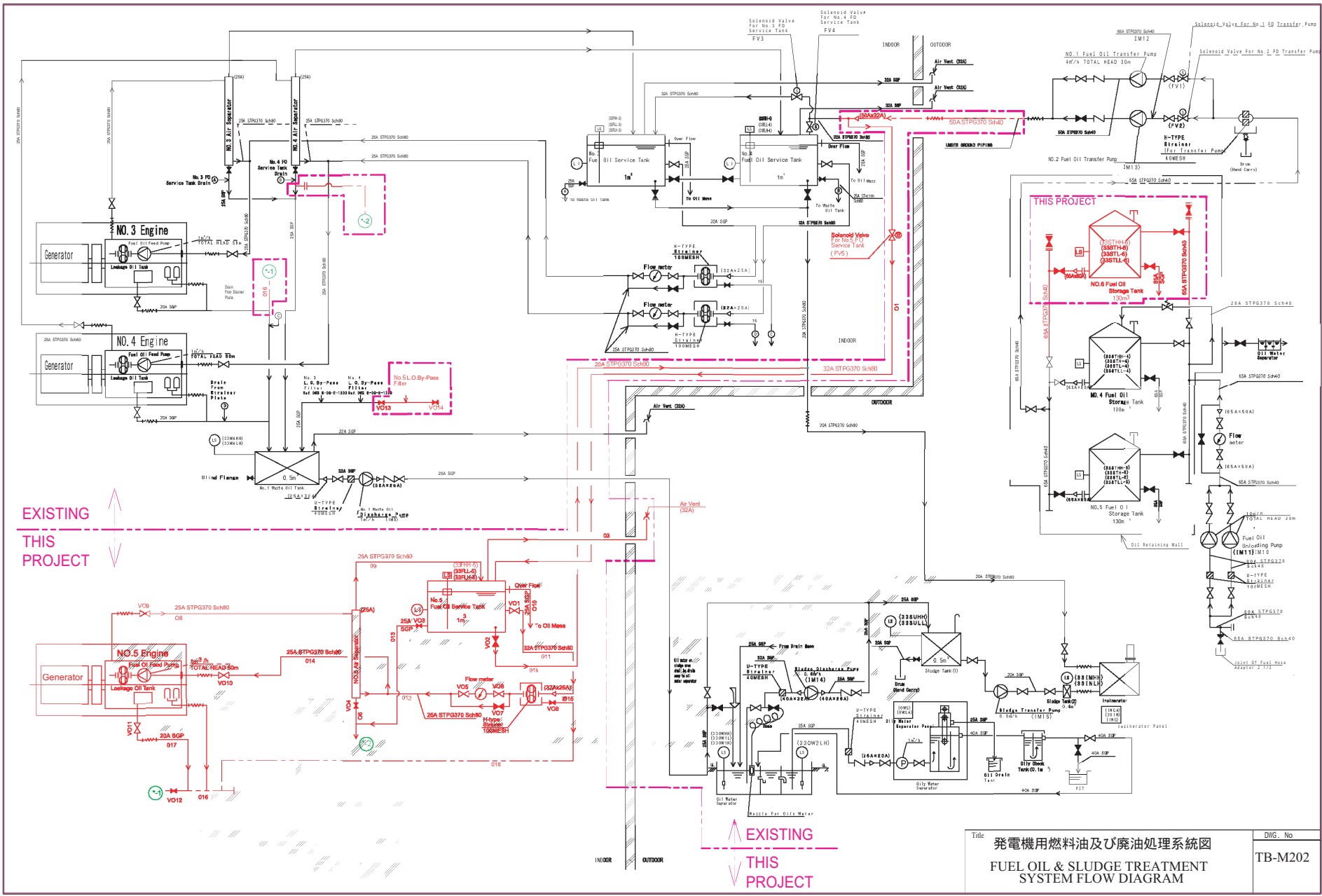


PIPING SYMBOL	
	PIPING LINE
	INSULATED PIPING LINE (LAGGING)
	CONNECTED PIPE
	NON-CONNECTED PIPE
	GLOBE VALVE (OPEN)
	GLOBE VALVE (CLOSE)
	BUTTERFLY VALVE
	CHECK VALVE
	THREE WAY VALVE
	AUTOMATIC TEMP. CONTROL VALVE
	PRESS. REGULATING VALVE
	SOLENOID VALVE
	FLOW TOTALIZER AND INDICATOR
	SAFETY VALVE
	MOTOR VALVE
	PUMP
	SINGLE FILTER
	Y TYPE STRAINER
	DUPLEX FILTER
	COCK
	THREE-WAY COCK
	EXPANSION JOINT
	FLEXIBLE JOINT
	REDUCER
	AIR VENT

GRAPHIC SYMBOL	
	LOCAL
	LOCAL PANEL
	PANEL

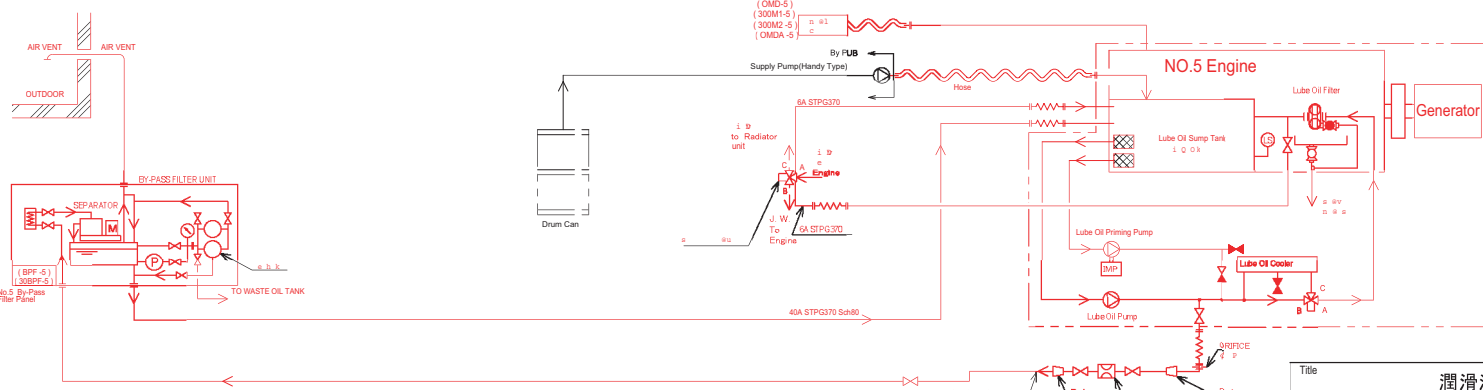
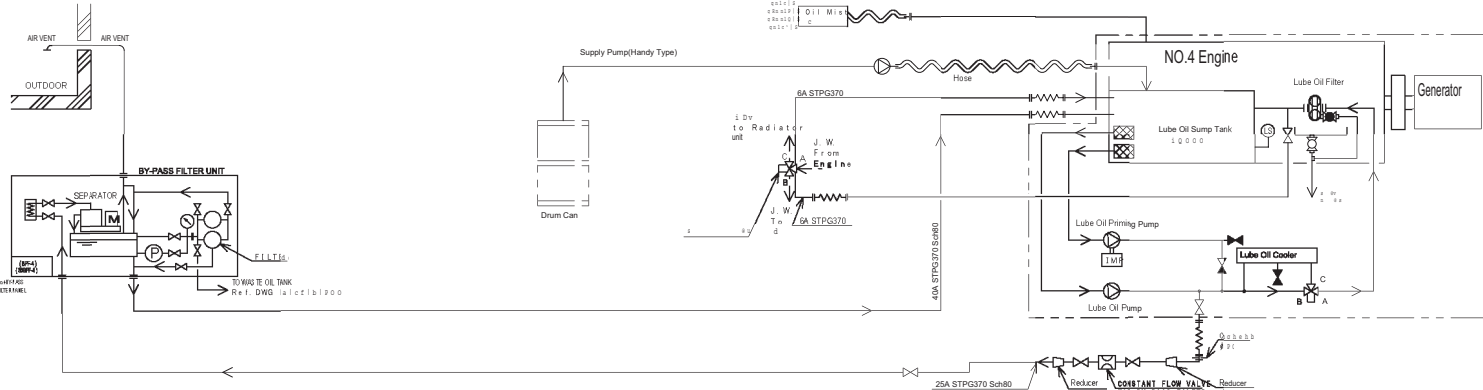
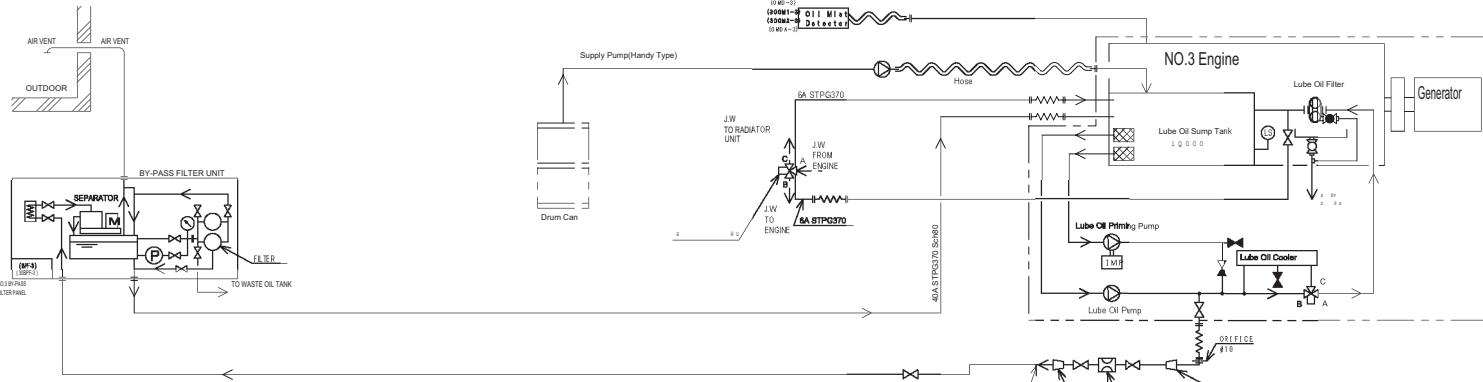
PIPING SYMBOL	
P4	PRESSURE GAUGE
PS	PRESSURE SWITCH
T1	TEMPERATURE INDICATOR
TS	TEMPERATURE SWITCH
LI	LEVEL INDICATOR
LS	LEVEL SWITCH
FA	FLAME ARRESTER
FS	FLOW SWITCH
OD	OIL MIST DETECTOR



EXISTING
 THIS PROJECT

EXISTING
 THIS PROJECT

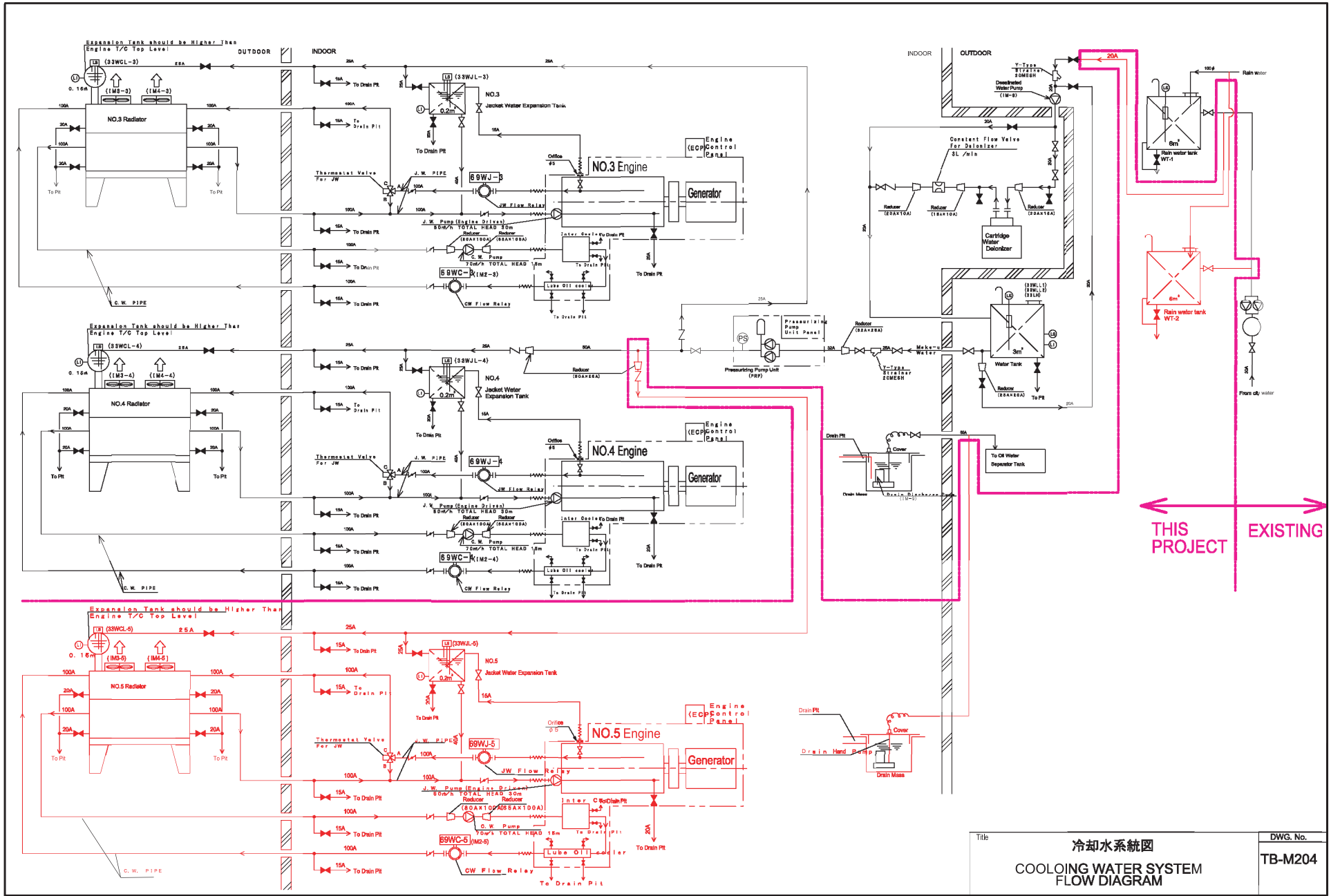
Title 発電機用燃料油及び廃油処理系統図
 FUEL OIL & SLUDGE TREATMENT SYSTEM FLOW DIAGRAM
 DWG. No. TB-M202



EXISTING
THIS PROJECT

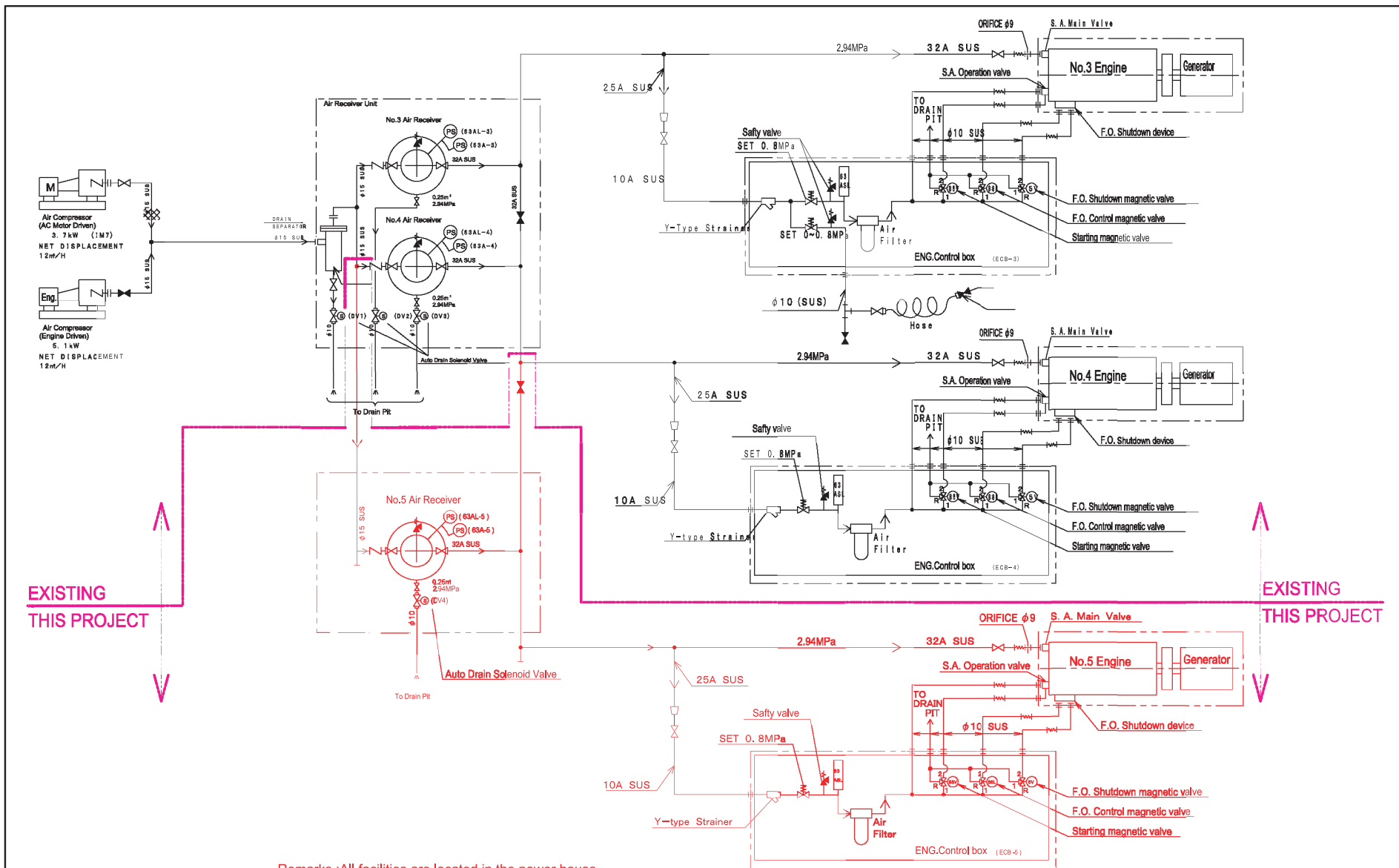
Remarks :All facilities are located in the power house.

Title 潤滑油系統圖 LUBRICATION SYSTEM FLOW DIAGRAM	DWG. No. TB-M203
---	---------------------



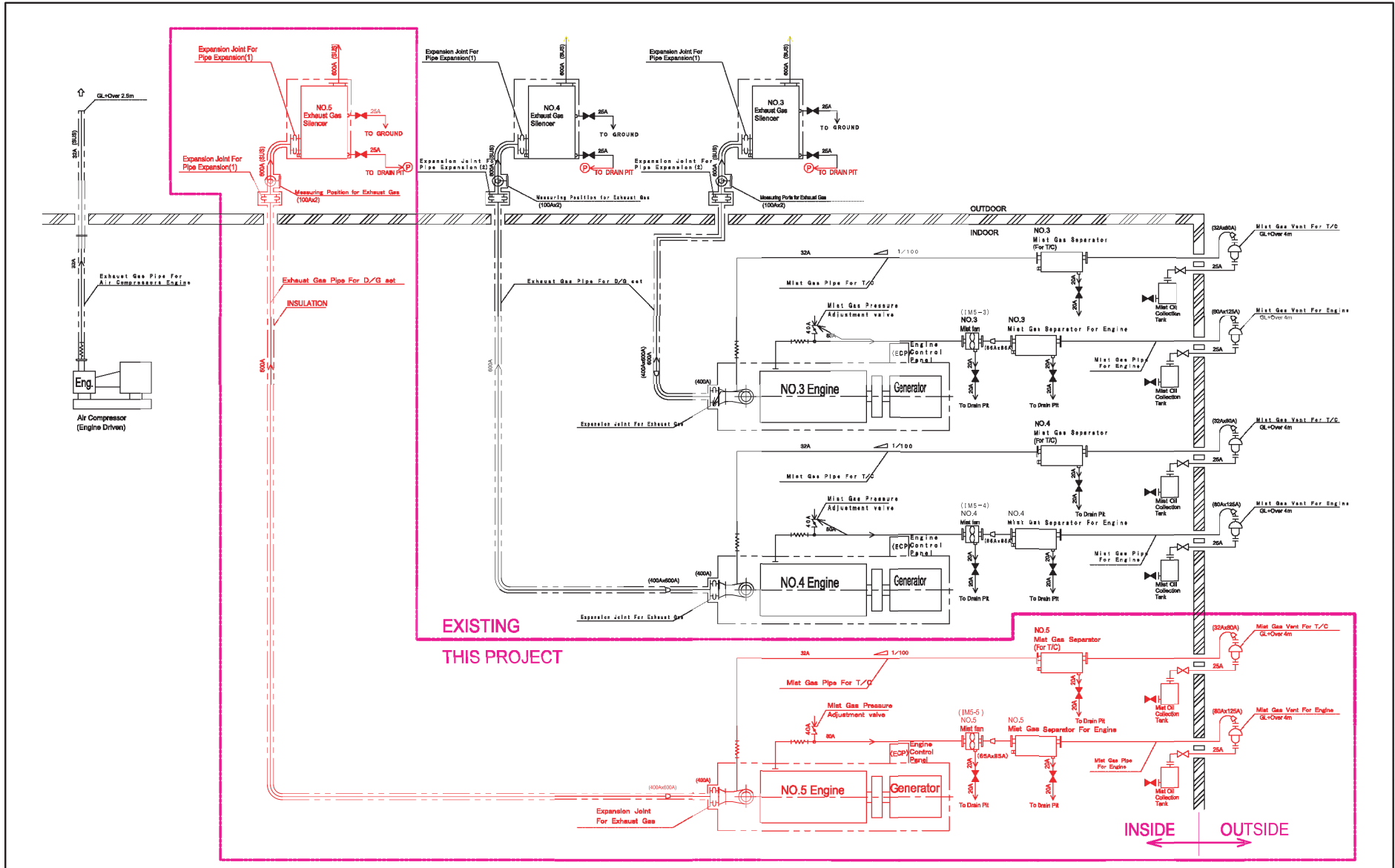
THIS PROJECT
EXISTING

<p>Title</p> <p>冷却水系統圖 COOLING WATER SYSTEM FLOW DIAGRAM</p>	<p>DWG. No.</p> <p>TB-M204</p>
--	--------------------------------



Remarks :All facilities are located in the power house.

Title	圧縮空気系統図	DWG. No.
	COMPRESSED AIR SYSTEM FLOW DIAGRAM	TB-M205



EXISTING
THIS PROJECT

INSIDE OUTSIDE

Remarks
1. LAGGING

Title 吸排氣系統圖 AIR INTAKE & EXHAUST GAS SYSTEM FLOW DIAGRAM	DWG. No. TB-M206
---	----------------------------