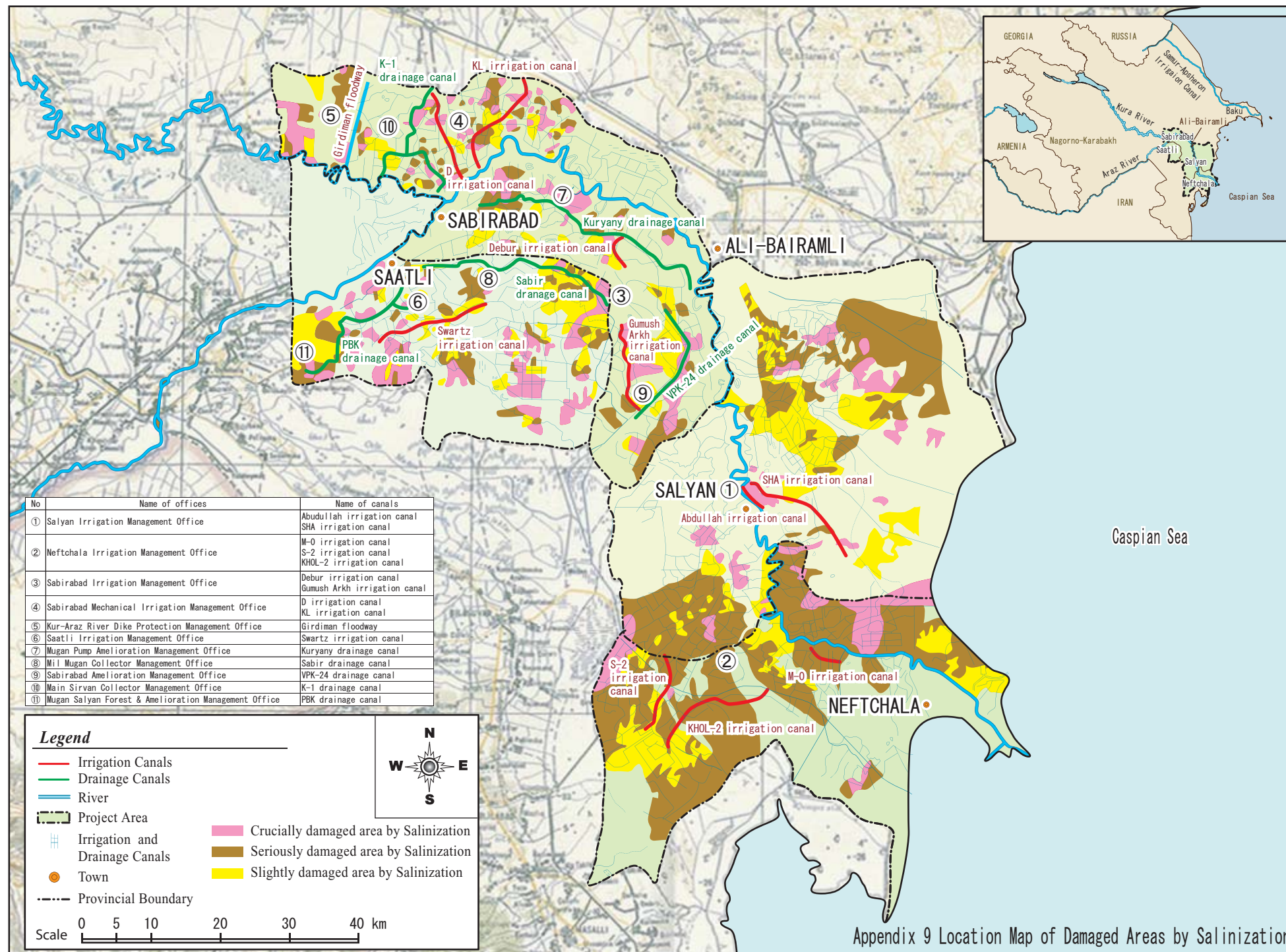


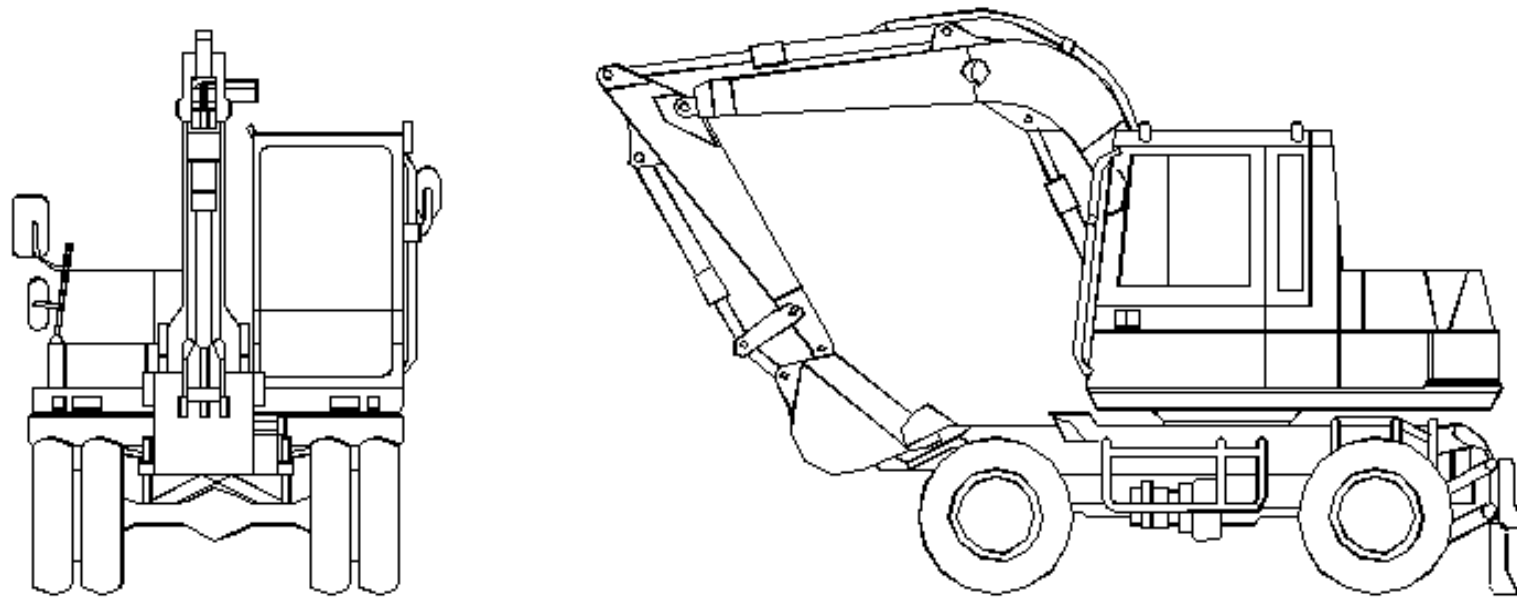
*Appendix 9*  
*Location Map of Damaged Areas by Salinization*



Appendix 9 Location Map of Damaged Areas by Salinization

*Appendix 10*

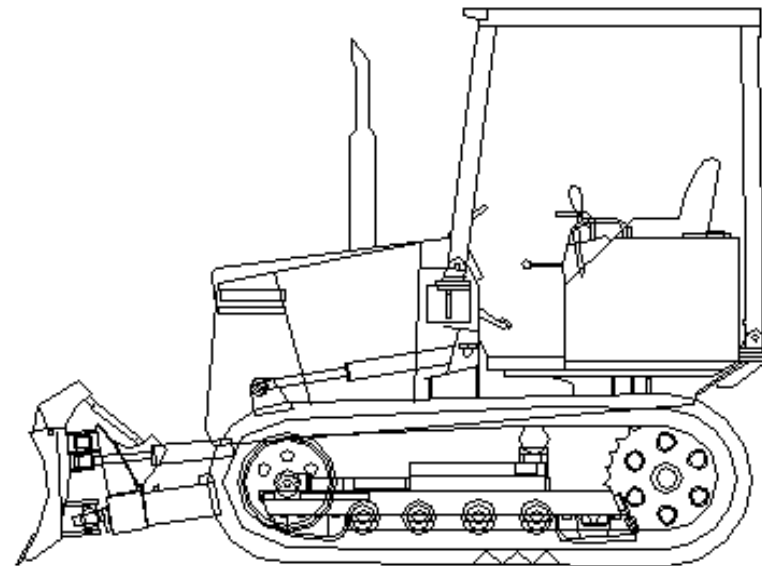
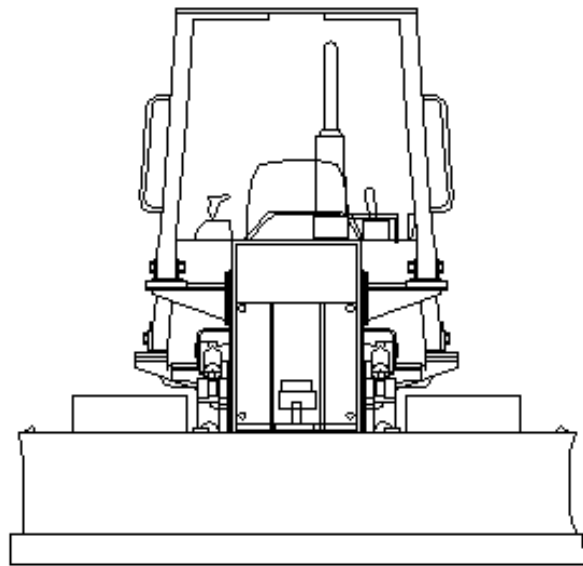
*General Figure of Wheel Type Hydraulic Excavator*



Appendix 10 General Figure of Wheel Type Hydraulic Excavato

**Referential Figure**

*Appendix 11*  
*General Figure of Bulldozer*

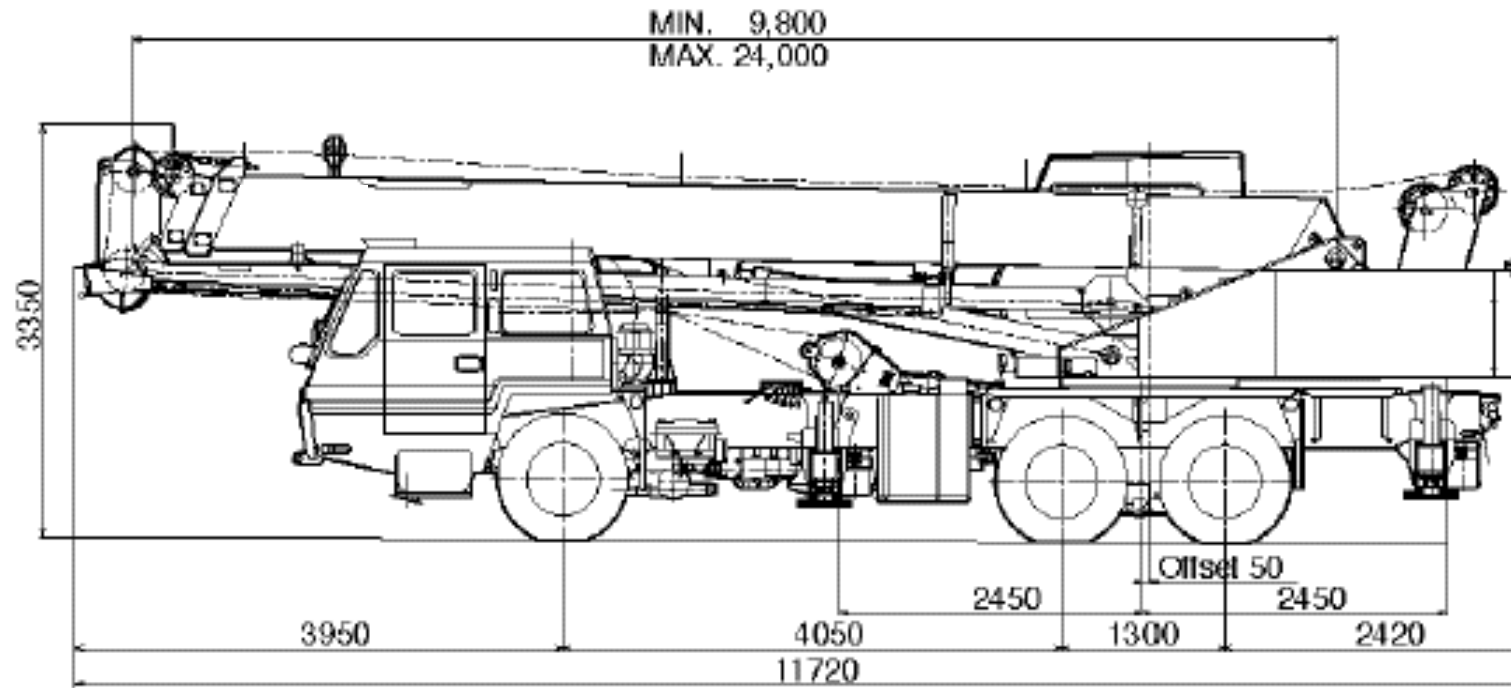


Appendix 11 General Figure of Bulldozer

**Referential Figure**

*Appendix 12*

*General Figure of Hydraulic Type Truck Crane*

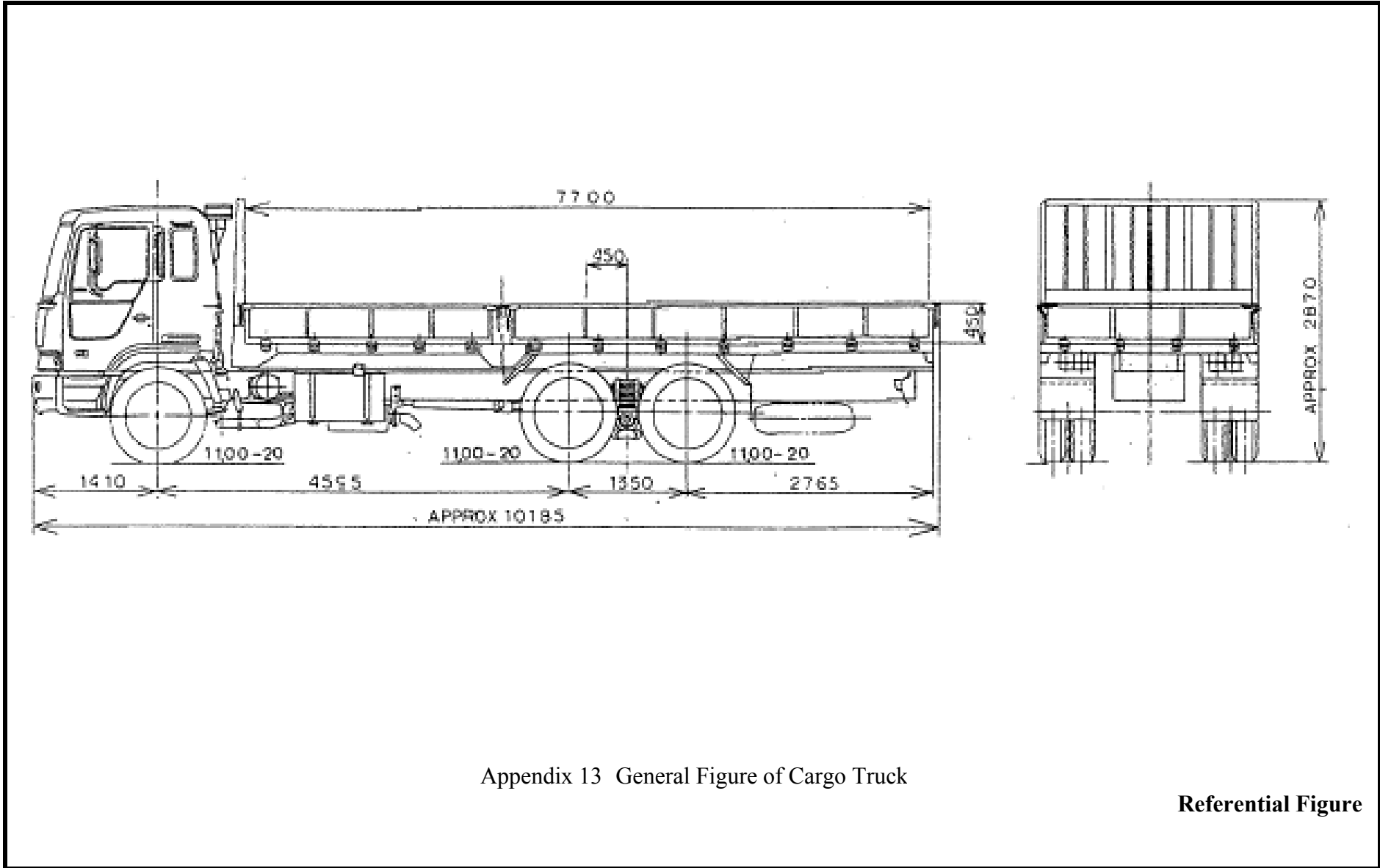


Appendix 12 General Figure of Hydraulic Type Truck Crane

Referential Figure



*Appendix 13*  
*General Figure of Cargo Truck*

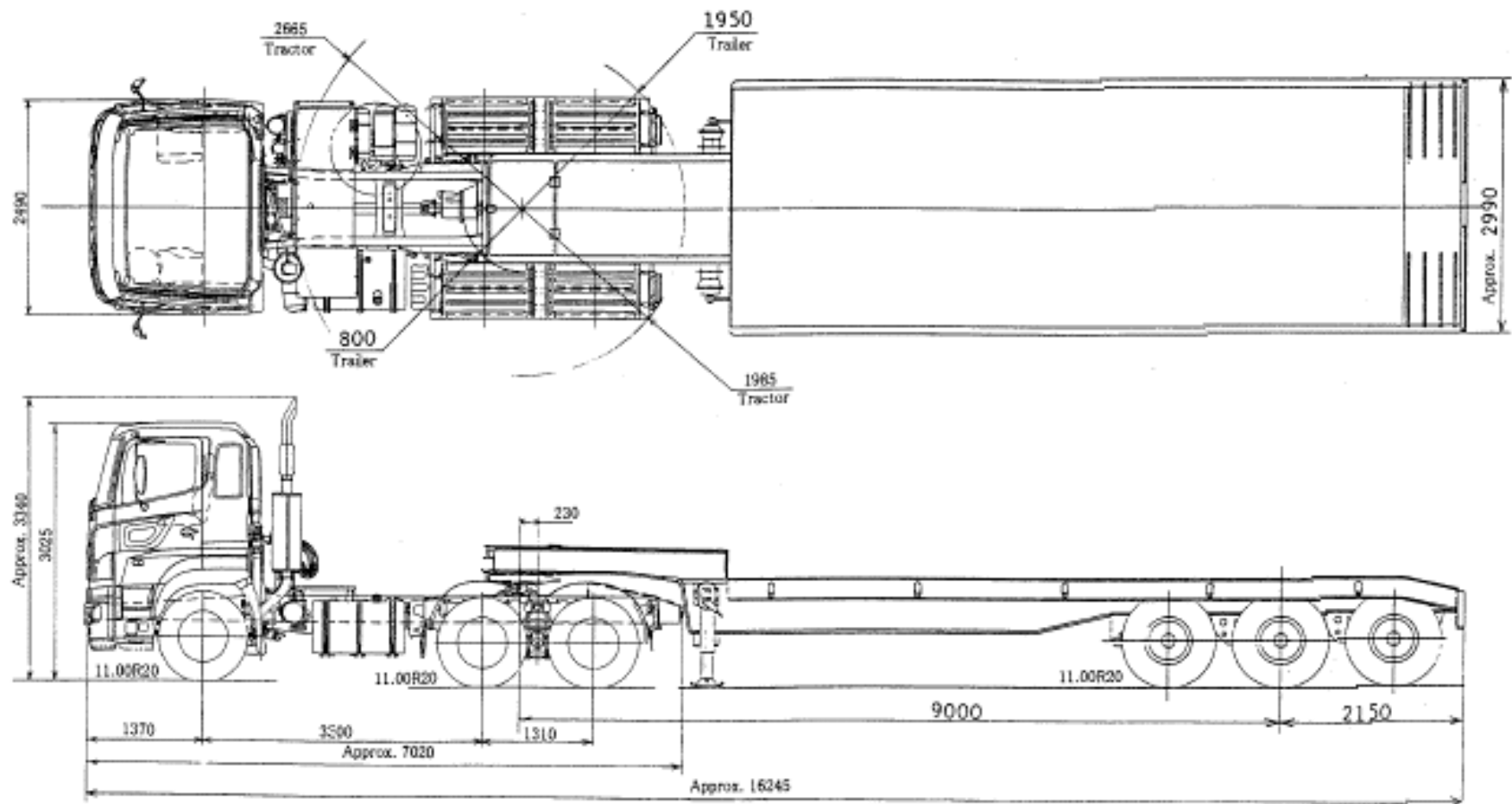


Appendix 13 General Figure of Cargo Truck

Referential Figure

*Appendix 14*

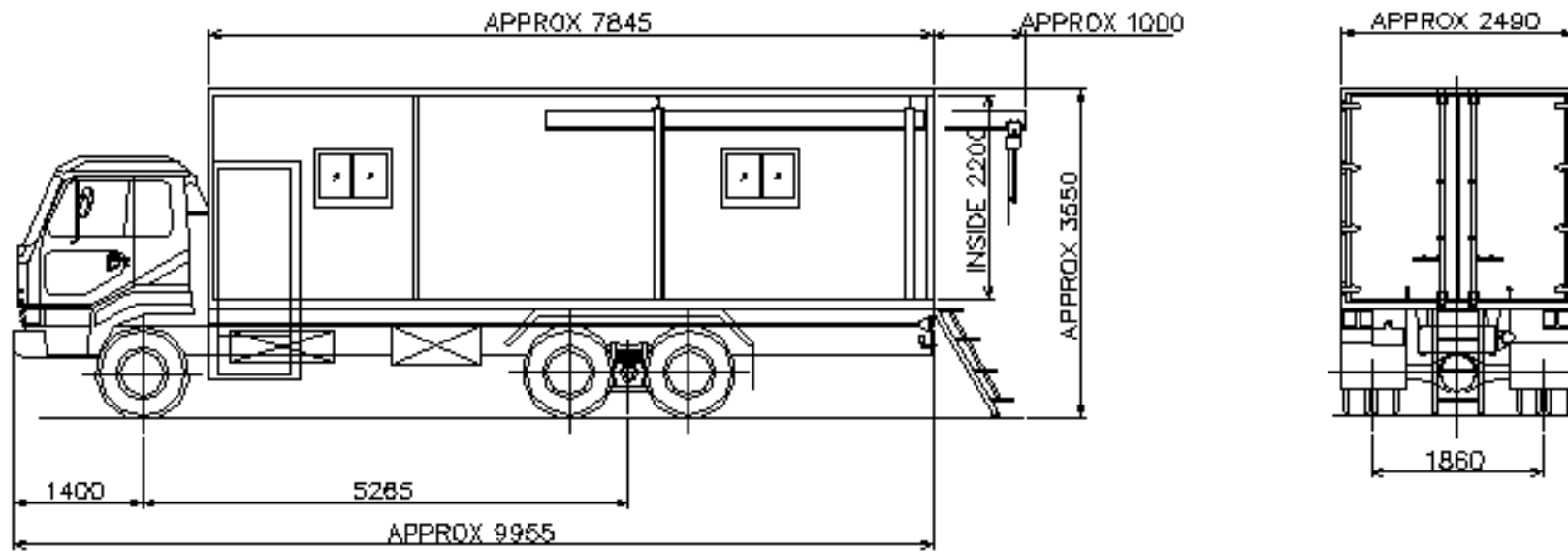
*General Figure of Tractor with Semi-trailer*



Appendix 14 General Figure of Tractor with Semi-trailer

Referential Figure

*Appendix 15*  
*General Figure of Mobile Workshop with Repairing*  
*Equipment and Tools*



Appendix 15 General Figure of Mobile Workshop with Repairing Equipment and Tools

**Referential Figure**