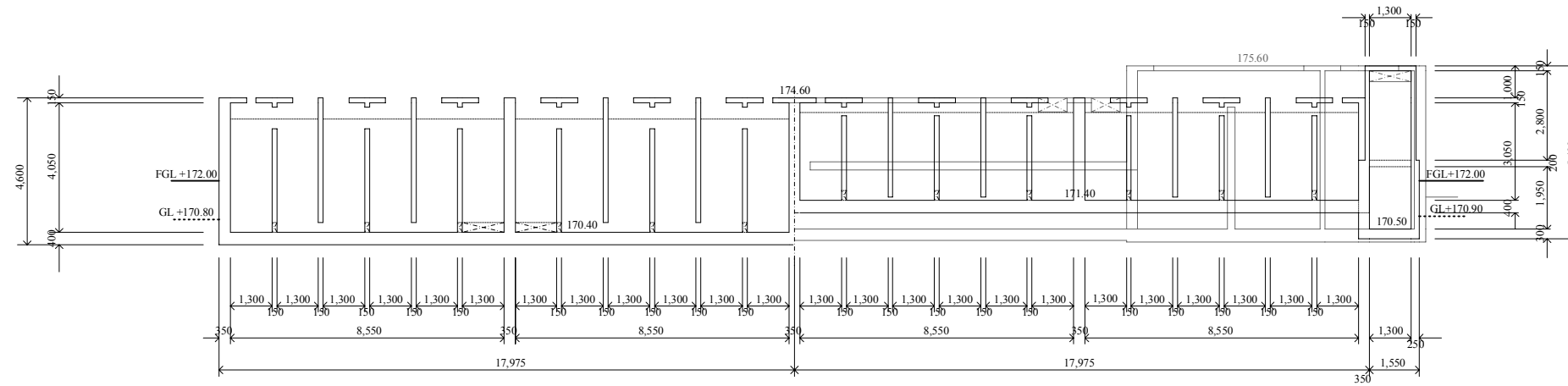
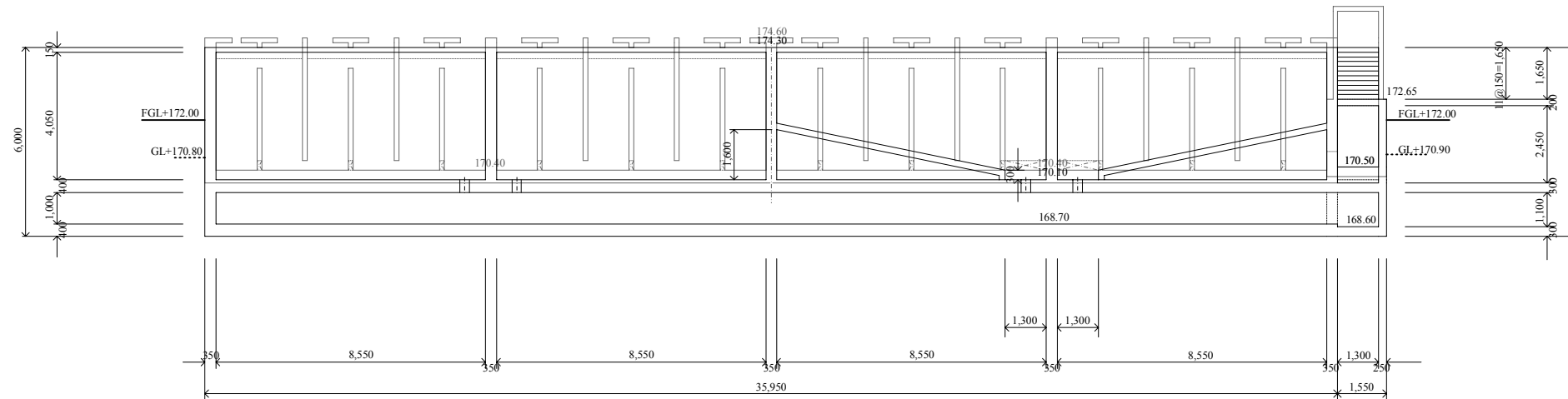


Section of Flocculation Basin and Sedimentation Basin (1/2)



Section S4 - S4



Section S5 - S5

THE STUDY ON
VIENTIANE WATER SUPPLY DEVELOPMENT
PROJECT IN
LAO PEOPLE'S DEMOCRATIC REPUBLIC

JAPAN INTERNATIONAL COOPERATION AGENCY (JICA)
NIHON SUIDO CONSULTANTS CO., LTD.

DRAWING TITLE:
EXPANSION OF KAOLIEO WTP
SECTION OF FLOCCULATION AND SEDIMENTATION BASIN (1/2)

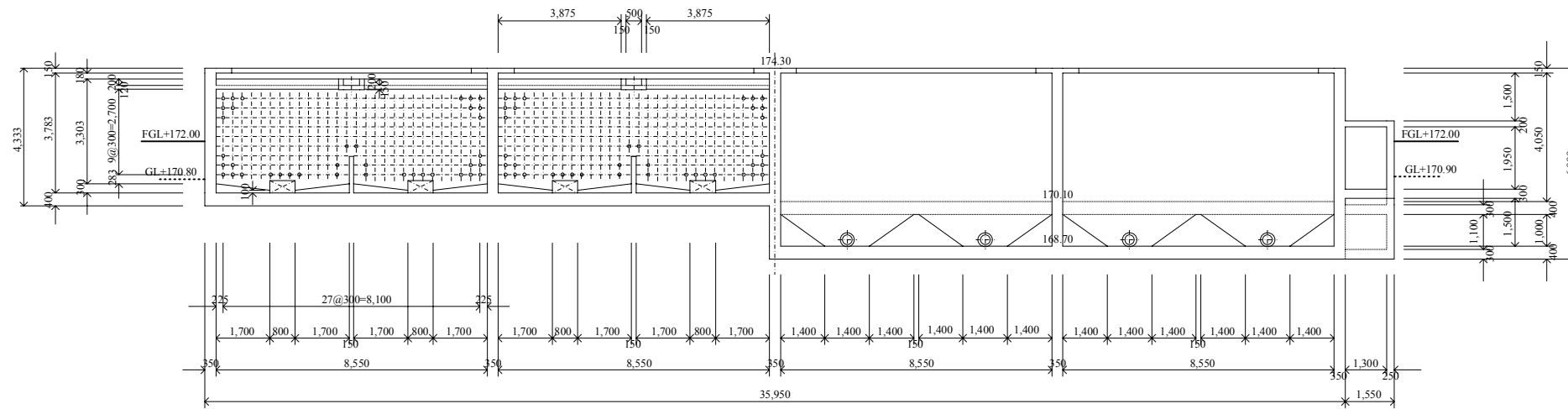
DESIGNED BY: _____ CHECKED BY: _____

DRAWN BY: _____ APPROVED BY: _____

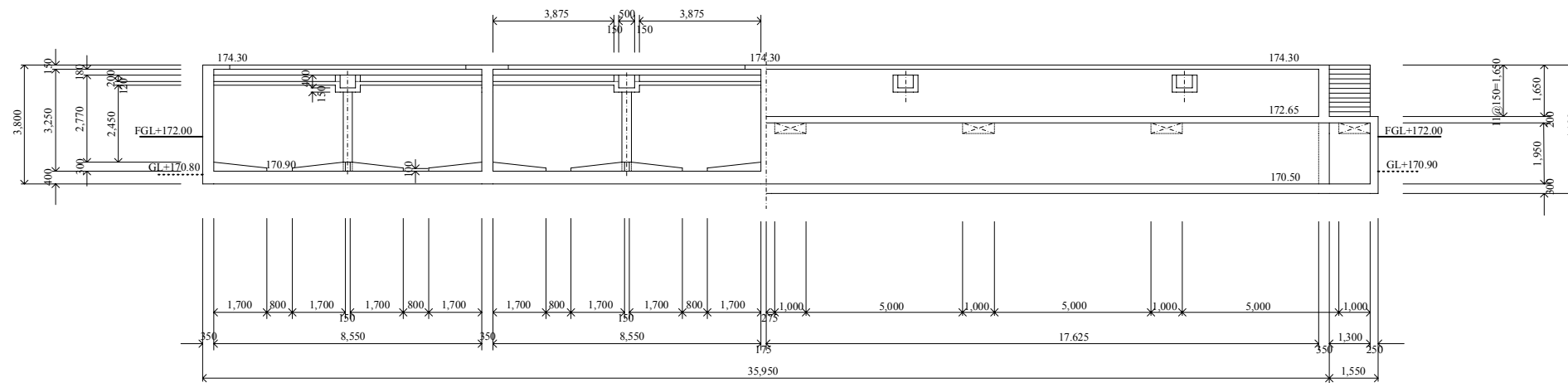
SCALE: 1:200
1.5m 0 3m 6m 9m

DATE: _____ DWG NO.: E-6 18

Section of Flocculation Basin and Sedimentation Basin (2/2)



Section S6 - S6



Section S7 - S7

THE STUDY ON
VIENTIANE WATER SUPPLY DEVELOPMENT
PROJECT IN
LAO PEOPLE'S DEMOCRATIC REPUBLIC

JAPAN INTERNATIONAL COOPERATION AGENCY (JICA)
NIHON SUIDO CONSULTANTS CO., LTD.

DRAWING TITLE:
EXPANSION OF KAOLIEO WTP
SECTION OF FLOCCULATION AND SEDIMENTATION BASIN (2/2)

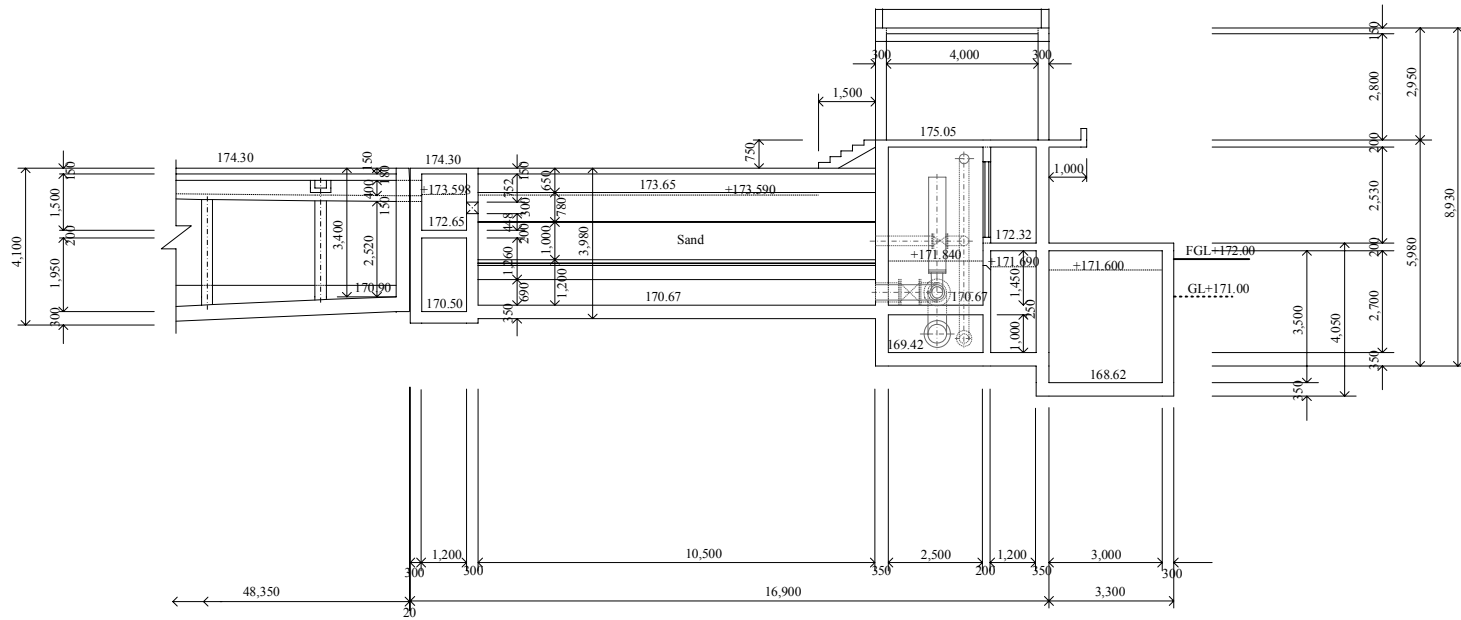
DESIGNED BY: _____ CHECKED BY: _____

DRAWN BY: _____ APPROVED BY: _____

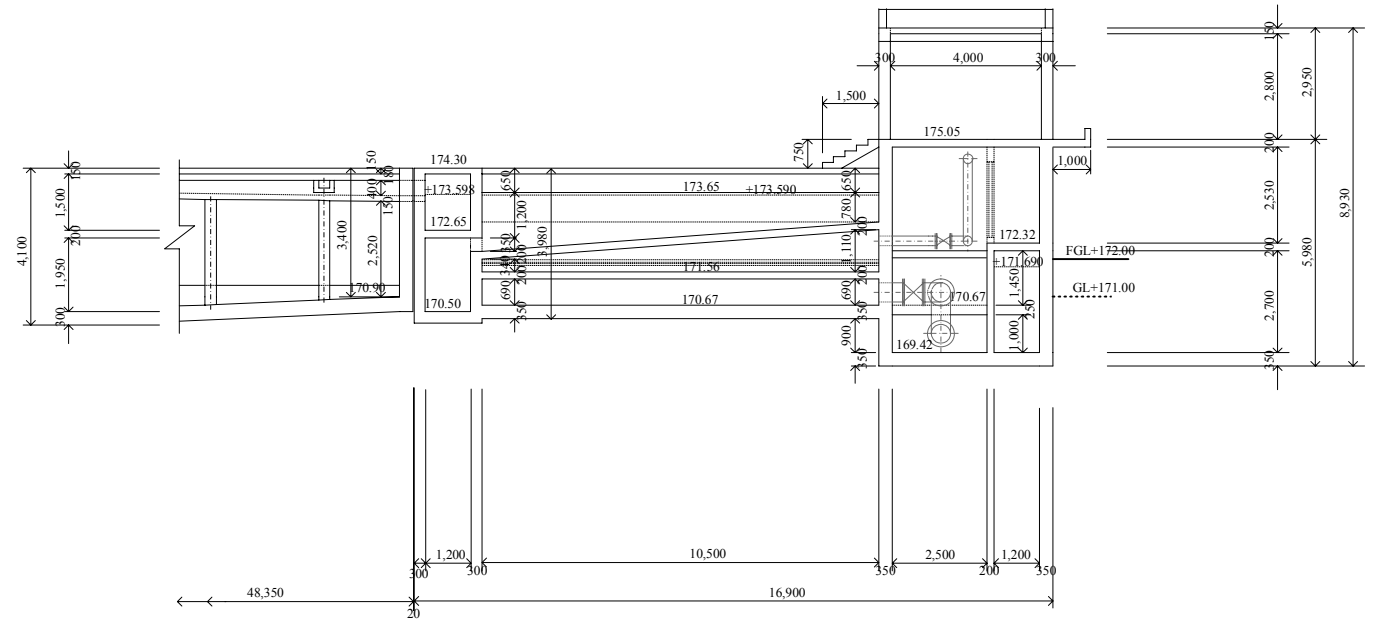
SCALE: 1:200
1.5m 0 3m 6m 9m

DATE: _____ DWG NO.: _____ E-7 19

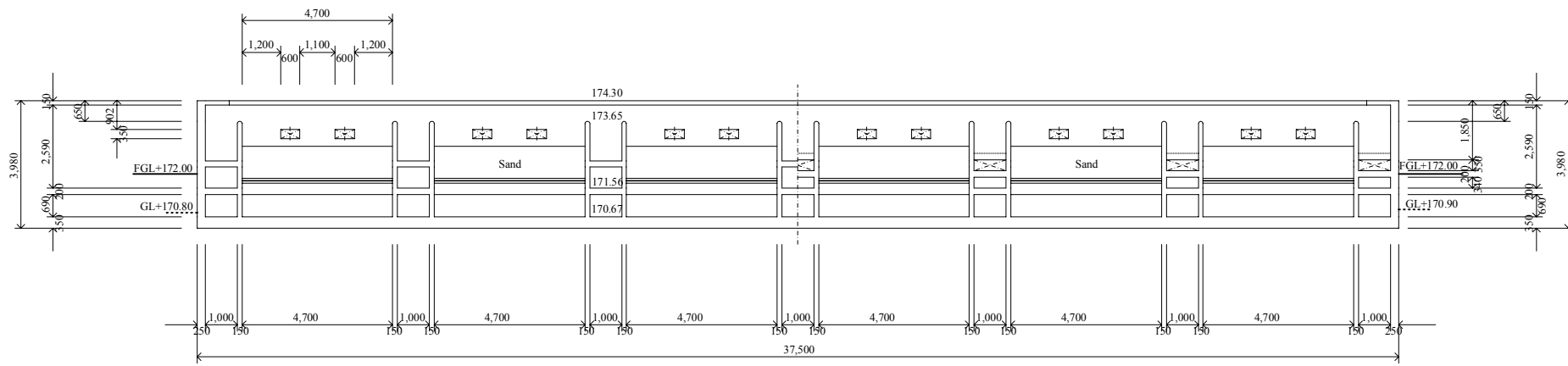
Section of Filtration Basin and Filtered Water Measurement Chamber & Chlorine Mixing Chamber



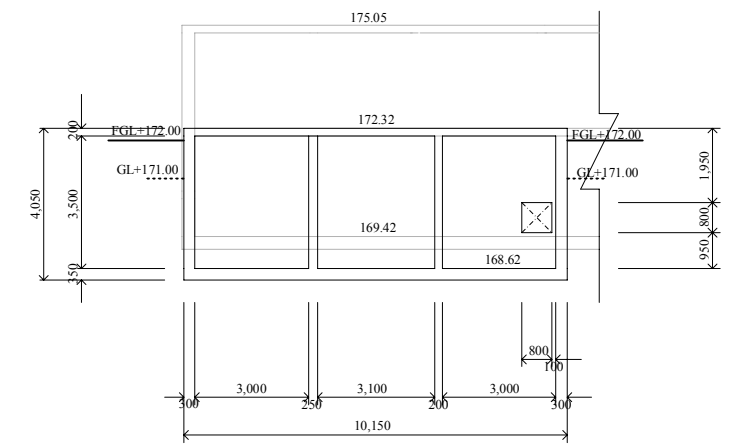
Section F1 - F1



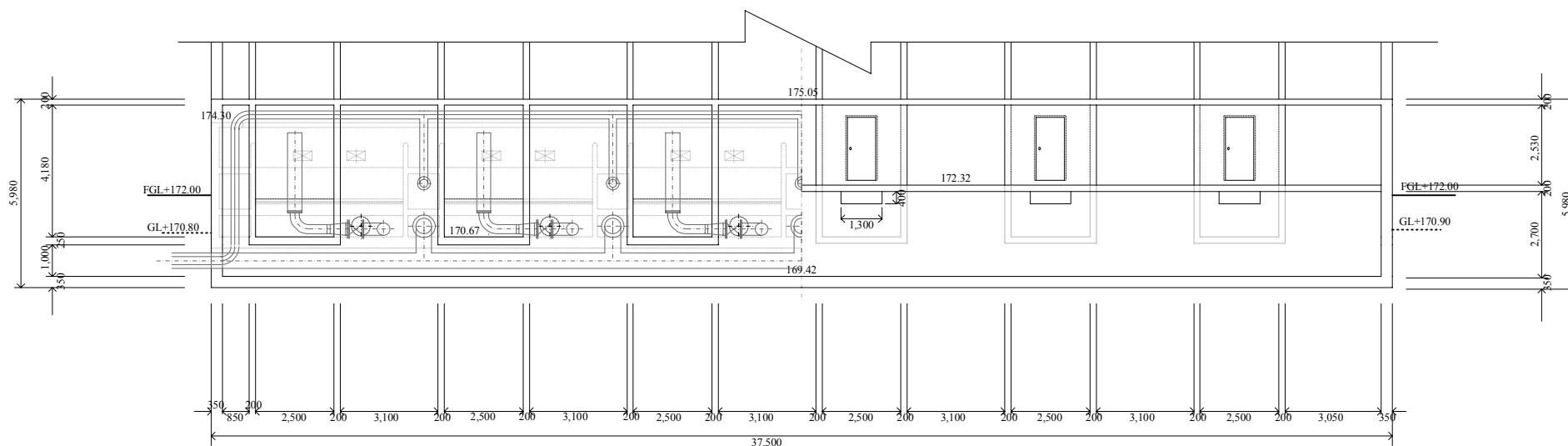
Section F2 - F2



Section F3 - F3

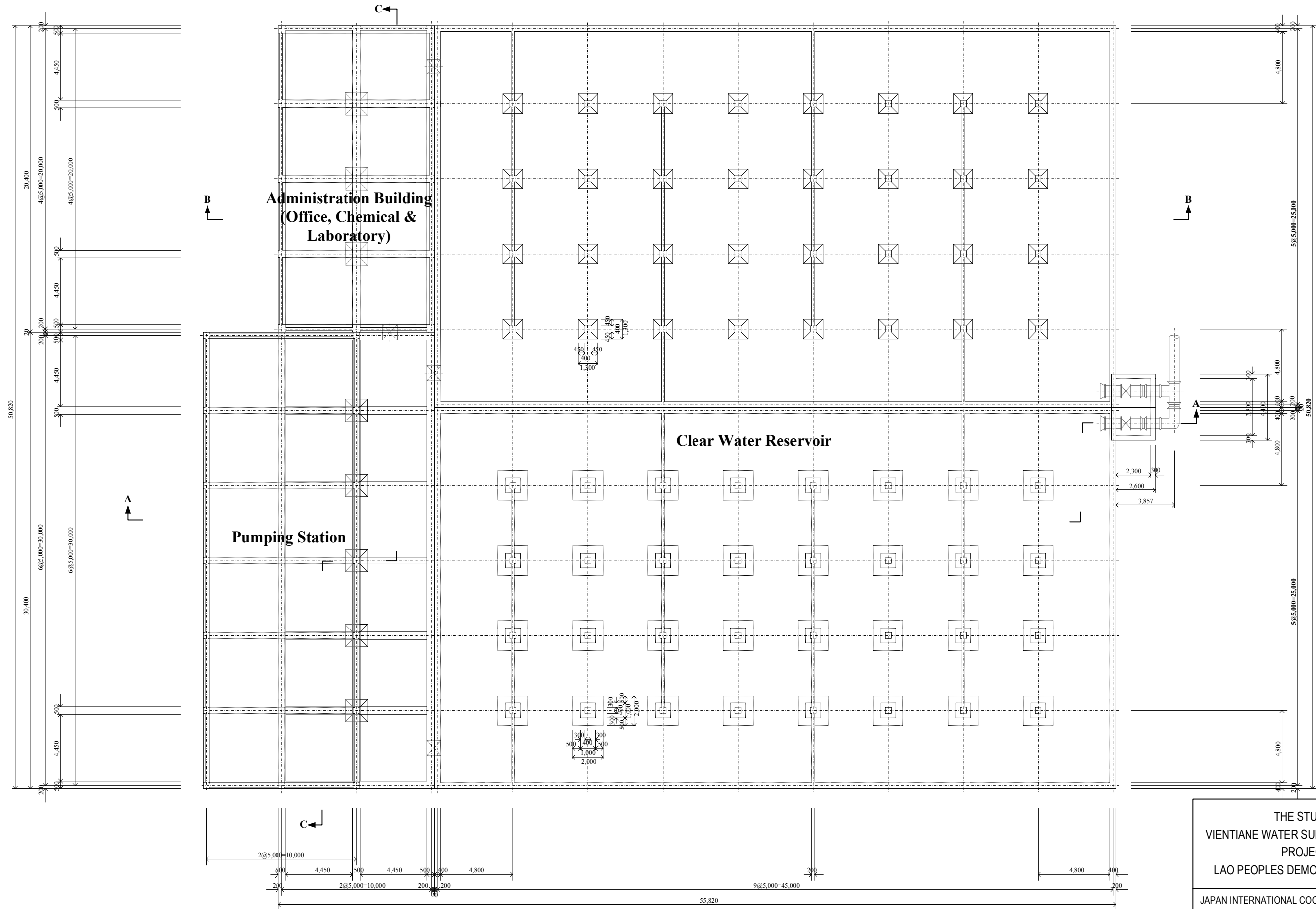


Section F5 - F5



Section F4 - F4

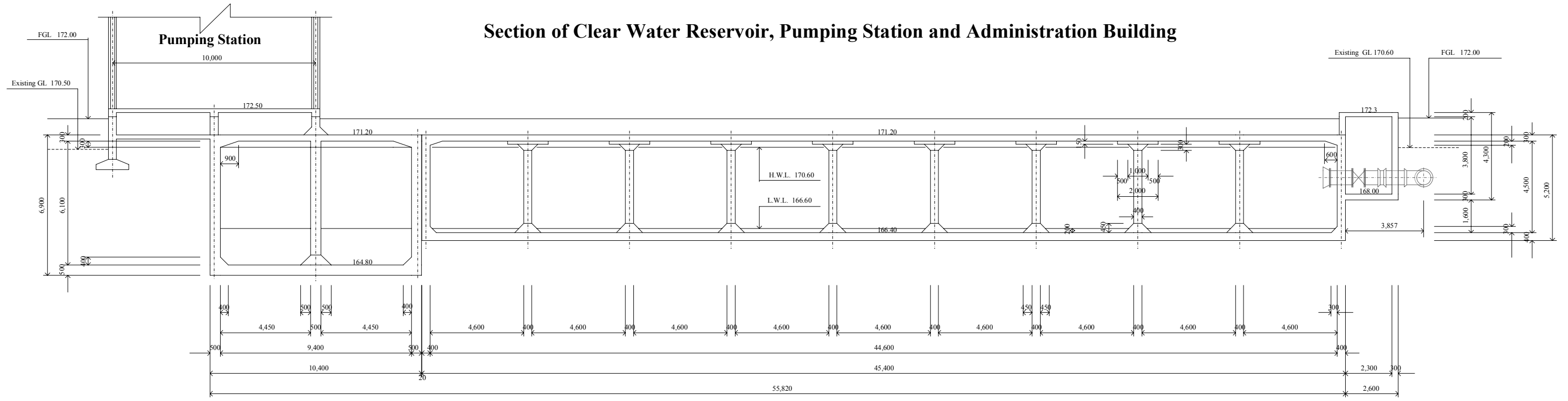
THE STUDY ON VIENTIANE WATER SUPPLY DEVELOPMENT PROJECT IN LAO PEOPLE'S DEMOCRATIC REPUBLIC	
JAPAN INTERNATIONAL COOPERATION AGENCY (JICA) NIHON SUIDO CONSULTANTS CO., LTD.	
DRAWING TITLE: EXPANSION OF KAOLIEO WTP SECTION OF FILTRATION BASIN AND FILTERED WATER MEASUREMENT CHAMBER & CHLORINE MIXING CHAMBER	
DESIGNED BY:	CHECKED BY:
DRAWN BY:	APPROVED BY:
SCALE: 1:200 1.5m 0 3m 6m 9m	
DATE:	DWG NO.: E-8
20	



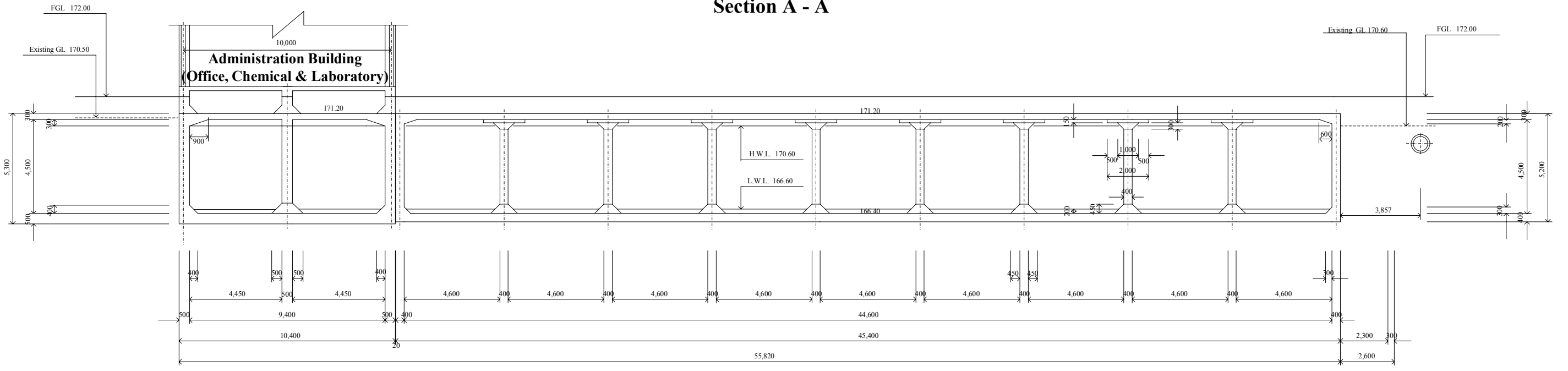
Plan of Clear Water Reservoir, Pumping Station and Administration Building

<p>THE STUDY ON VIENTIANE WATER SUPPLY DEVELOPMENT PROJECT IN LAO PEOPLES DEMOCRATIC REPUBLIC</p>		
<p>JAPAN INTERNATIONAL COOPERATION AGENCY (JICA) NIHON SUIDO CONSULTANTS CO., LTD.</p>		
<p>DRAWING TITLE: EXPANSION OF KAOLIEO WTP PLAN OF CLEAR WATER RESERVOIR, PUMPING STATION AND ADMINISTRATION BUILDING</p>		
DESIGNED BY:	CHECKED BY:	
DRAWN BY:	APPROVED BY:	
<p>SCALE: 2.0m 0 4m 8m 12m</p>		
DATE:	DWG NO.:	21

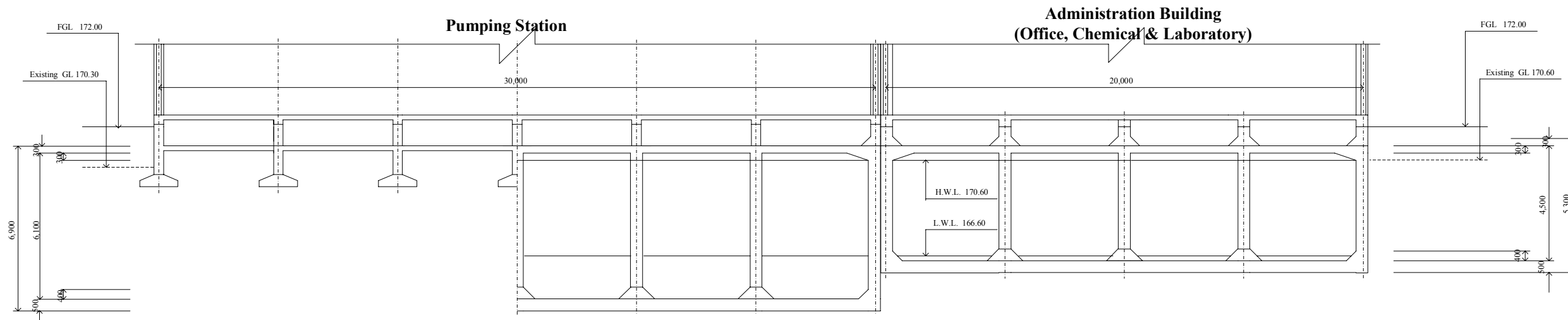
Section of Clear Water Reservoir, Pumping Station and Administration Building



Section A - A



Section B - B



Section C - C

THE STUDY ON VIENTIANE WATER SUPPLY DEVELOPMENT PROJECT IN LAO PEOPLES DEMOCRATIC REPUBLIC	
JAPAN INTERNATIONAL COOPERATION AGENCY (JICA) NIHON SUIDO CONSULTANTS CO., LTD.	
DRAWING TITLE: EXPANSION OF KAOLIEO WTP SECTION OF CLEAR WATER RESERVOIR, PUMPING STATION AND ADMINISTRATION BUILDING	
DESIGNED BY:	CHECKED BY:
DRAWN BY:	APPROVED BY:
SCALE: 1:200 1.5m 3m 6m 9m	
DATE:	DWG NO.: E-10