

ANNEX 29

DRAWINGS

LIST OF DRAWINGS FOR TREATMENT AND PUMPING FACILITIES

REHABILITATION OF KAOLIEO WTP

Dwg. No.	Name of Drawing	Scale
R-1	General Plan	None
R-2	Intake Facilities (Plan and Section)	1:200
R-3	Mixing Chamber (Plan and Section)	1:50
R-4	Plan of Flocculation and Sedimentation Basin	None
R-5	Section of Flocculation and Sedimentation Basin	None
R-6	Filtration Facilities (Plan and Section)	None
R-7	Clear Water Reservoir (Plan and Section)	1:200
R-8	Distribution Pump Station (Plan and Section)	1:100

EXPANSION OF KAOLIEO WTP

Dwg. No.	Name of Drawing	Scale
E-1	General Plan	None
E-2	Hydraulic Diagram	None
E-3	Intake Facilities (Plan and Section)	None
E-4	Plan of Treatment Facilities	None
E-5	Section of Receiving Well, Mixing well, Flocculation and Sedimentation Basin	None
E-6	Section of Flocculation and Sedimentation Basin (1/2)	1:200
E-7	Section of Flocculation and Sedimentation Basin (2/2)	1:200
E-8	Section of Filtration Basin and Filtered Water Measurement & Chlorine Mixing Chamber	1:200
E-9	Plan of Clear Water Reservoir, Pumping Station and Administration Building	None
E-10	Section of Clear Water Reservoir, Pumping Station and Administration Building	1:200

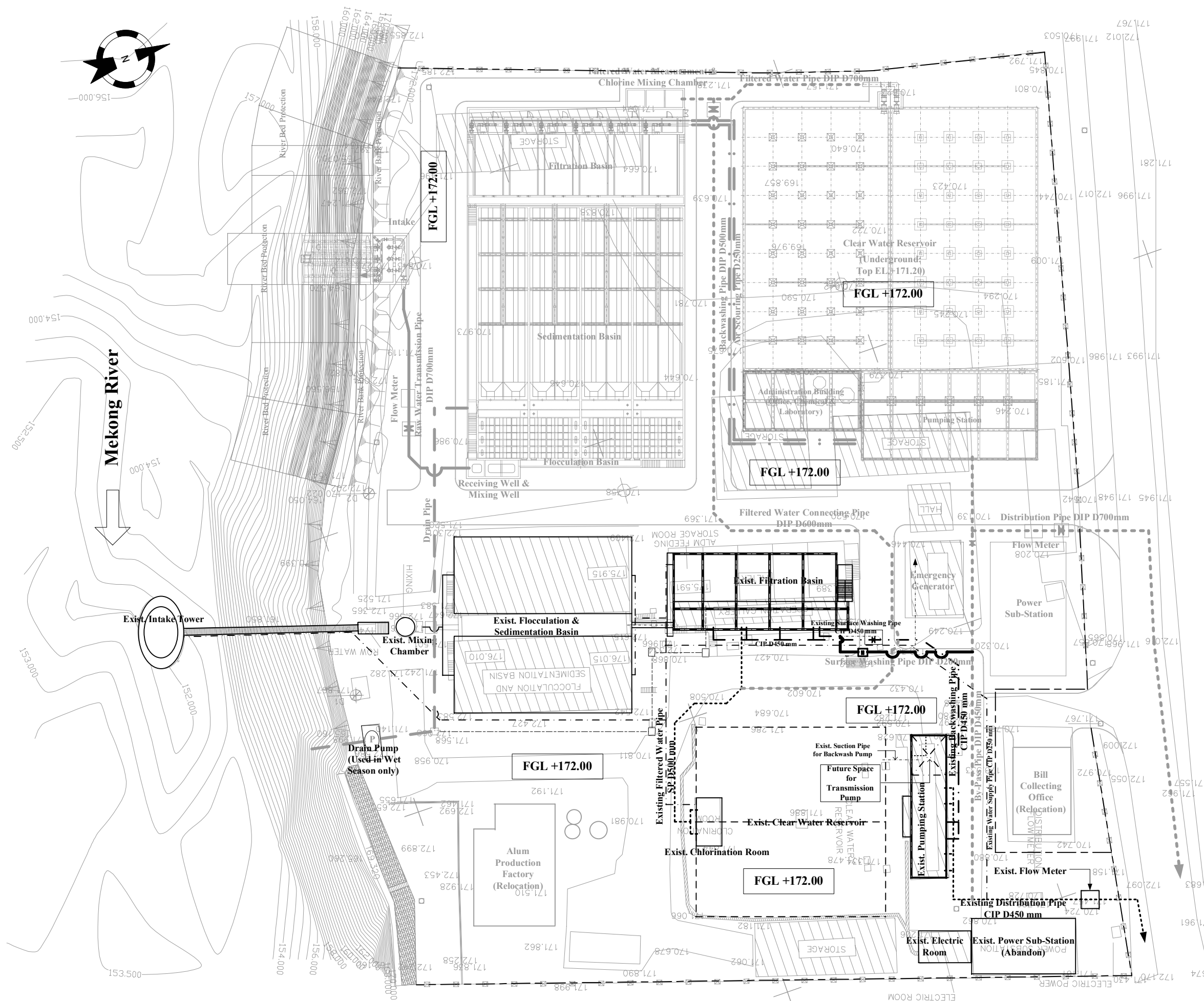
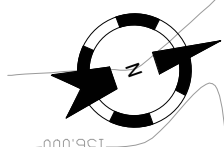
IMPROVEMENT OF CHINAIMO WTP

Dwg. No.	Name of Drawing	Scale
I-1	General Plan	1:1,000
I-2	Hydraulic Diagram	None
I-3	Plan of New Clear Water Reservoir and Distribution Pumping Station	None
I-4	Section of New Clear Water Reservoir and Distribution Pumping Station	None

IMPROVEMENT OF Km 6 BOOSTER PUMP STATION

Dwg. No.	Name of Drawing	Scale
I-5	General Plan	1:200
I-6	Plan of Distribution and Transmission Pump Station	1:100

REHABILITATION OF KAOLIEO WATER TREATMENT PLANT



THE STUDY ON
 VIENTIANE WATER SUPPLY DEVELOPMENT
 PROJECT IN
 LAO PEOPLE'S DEMOCRATIC REPUBLIC

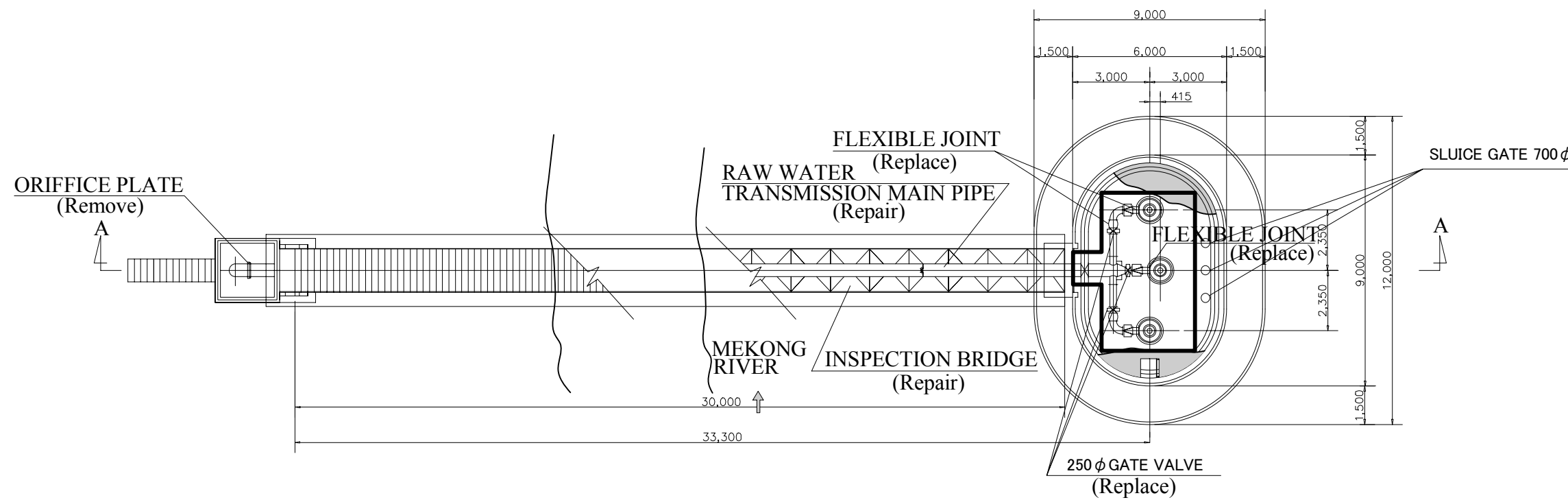
JAPAN INTERNATIONAL COOPERATION AGENCY (JICA)
 NIHON SUIDO CONSULTANTS CO., LTD.

DRAWING TITLE:
 REHABILITATION OF KAOLIEO WTP
 GENERAL PLAN

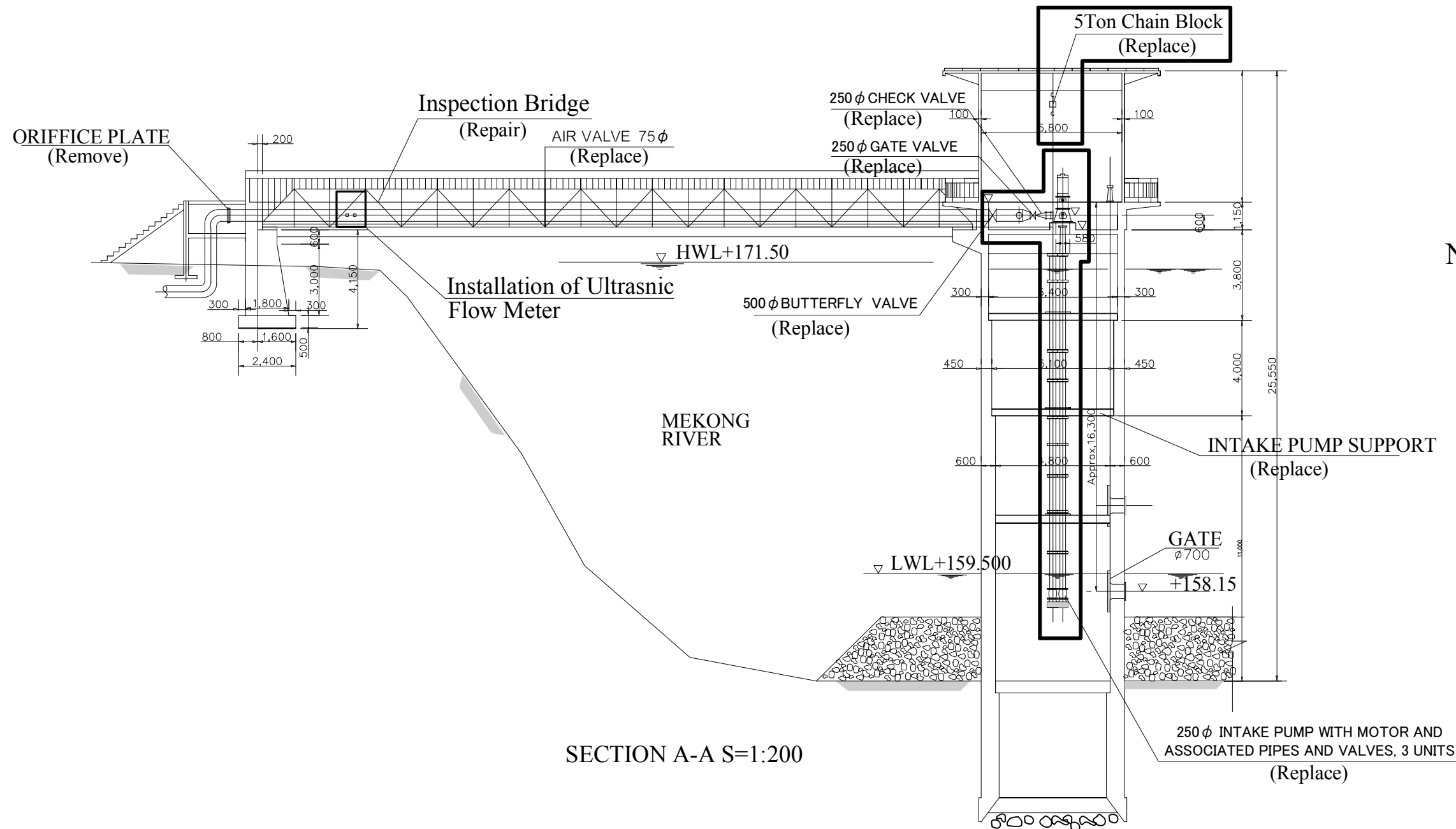
DESIGNED BY: _____ CHECKED BY: _____
 DRAWN BY: _____ APPROVED BY: _____

SCALE:
 0 10m 20m 30m

DATE: _____ DWG NO.: R-1 4



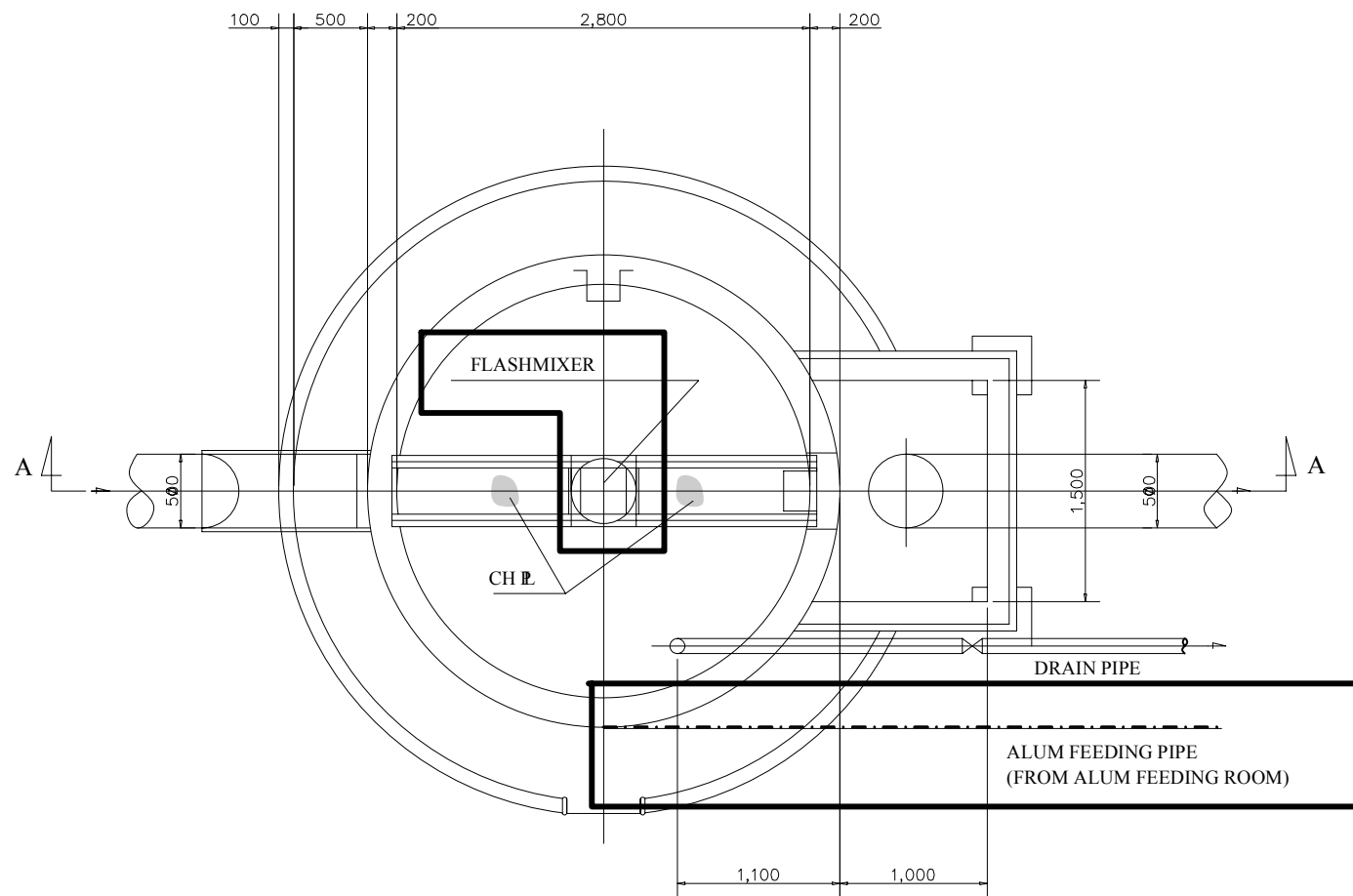
PLAN S=1:200



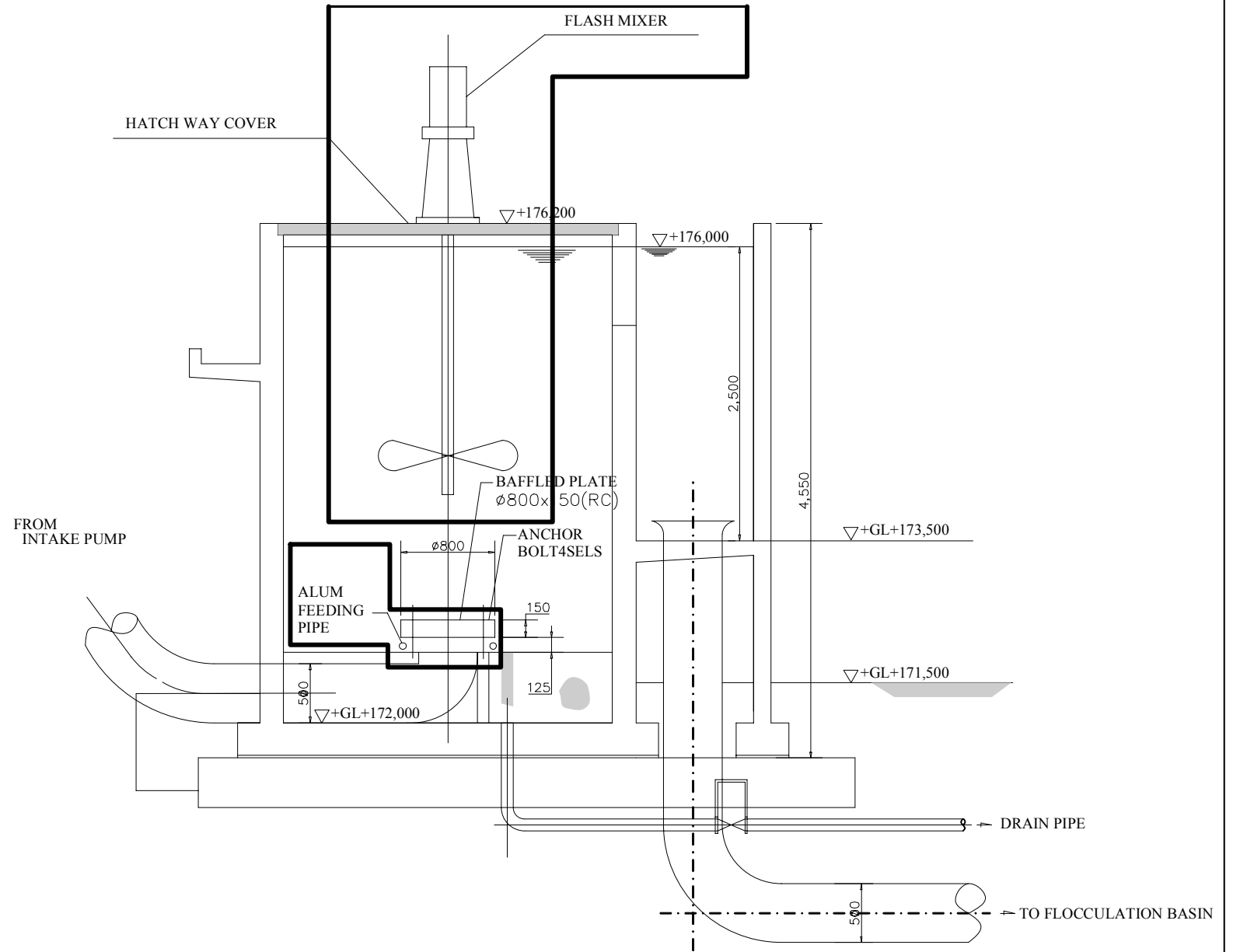
Note: REPLACEMENT

SECTION A-A S=1:200

THE STUDY ON VIENTIANE WATER SUPPLY DEVELOPMENT PROJECT IN LAO PEOPLE'S DEMOCRATIC REPUBLIC		
JAPAN INTERNATIONAL COOPERATION AGENCY (JICA) NIHON SUIDO CONSULTANTS CO., LTD.		
DRAWING TITLE:		
REHABILITATION OF KAOLIEO WTP INTAKE FACILITIES		
DESIGNED BY:	CHECKED BY:	
DRAWN BY:	APPROVED BY:	
SCALE: 1:200		
DATE:	DWG NO.:	5



PLAN S=1:50



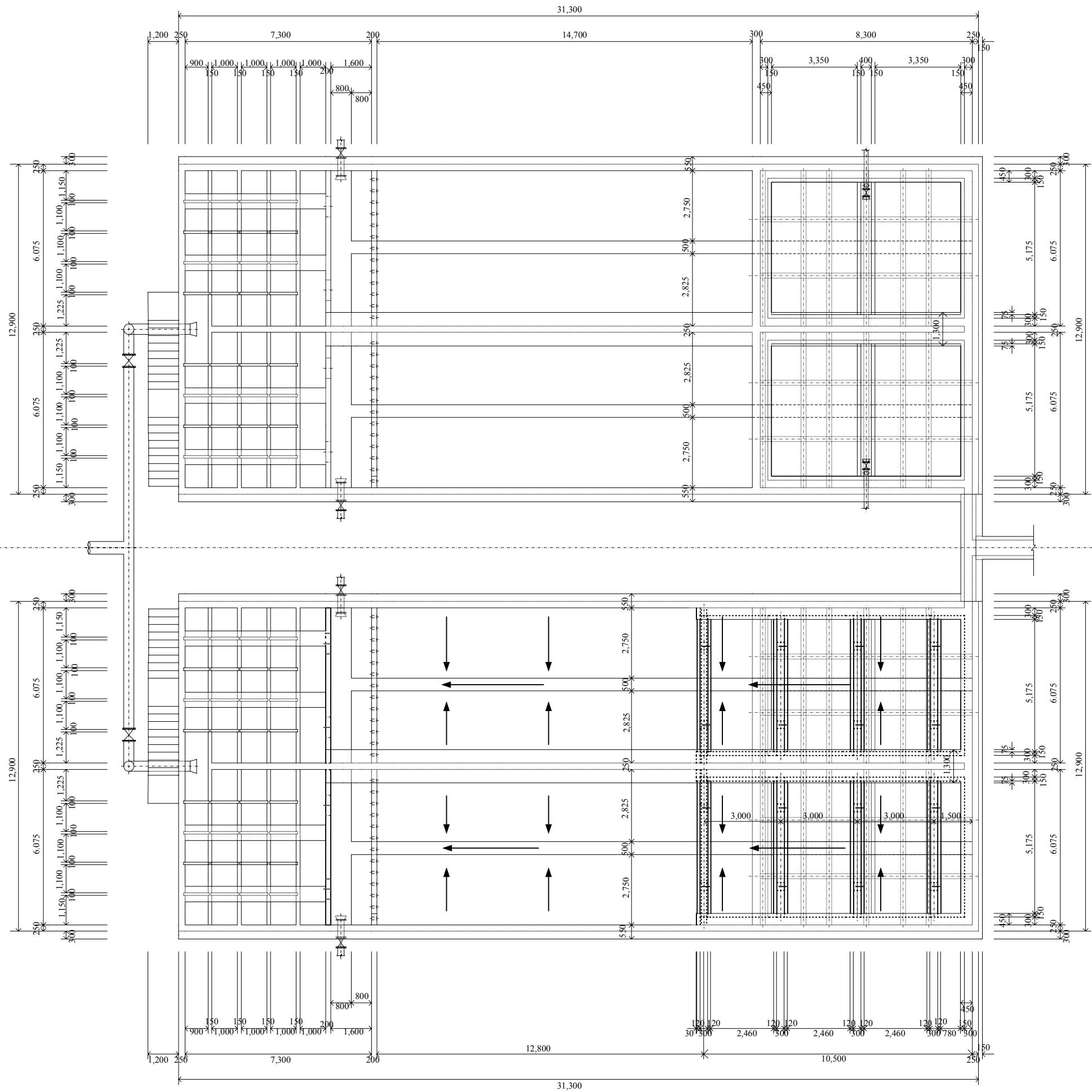
SECTION A-A S= 1:50

Note: REPLACEMENT

THE STUDY ON VIENTIANE WATER SUPPLY DEVELOPMENT PROJECT IN LAO PEOPLE'S DEMOCRATIC REPUBLIC		
JAPAN INTERNATIONAL COOPERATION AGENCY (JICA) NIHON SUIDO CONSULTANTS CO., LTD.		
DRAWING TITLE: REHABILITATION OF KAOLIEO WTP MIXING CHAMBER		
DESIGNED BY:	CHECKED BY:	
DRAWN BY:	APPROVED BY:	
SCALE: 1:50 		
DATE:	DWG NO.:	R - 3
		6

Existing

Rehabilitation



THE STUDY ON
 VIENTIANE WATER SUPPLY DEVELOPMENT
 PROJECT IN
 LAO PEOPLE'S DEMOCRATIC REPUBLIC

JAPAN INTERNATIONAL COOPERATION AGENCY (JICA)
 NIHON SUIDO CONSULTANTS CO., LTD.

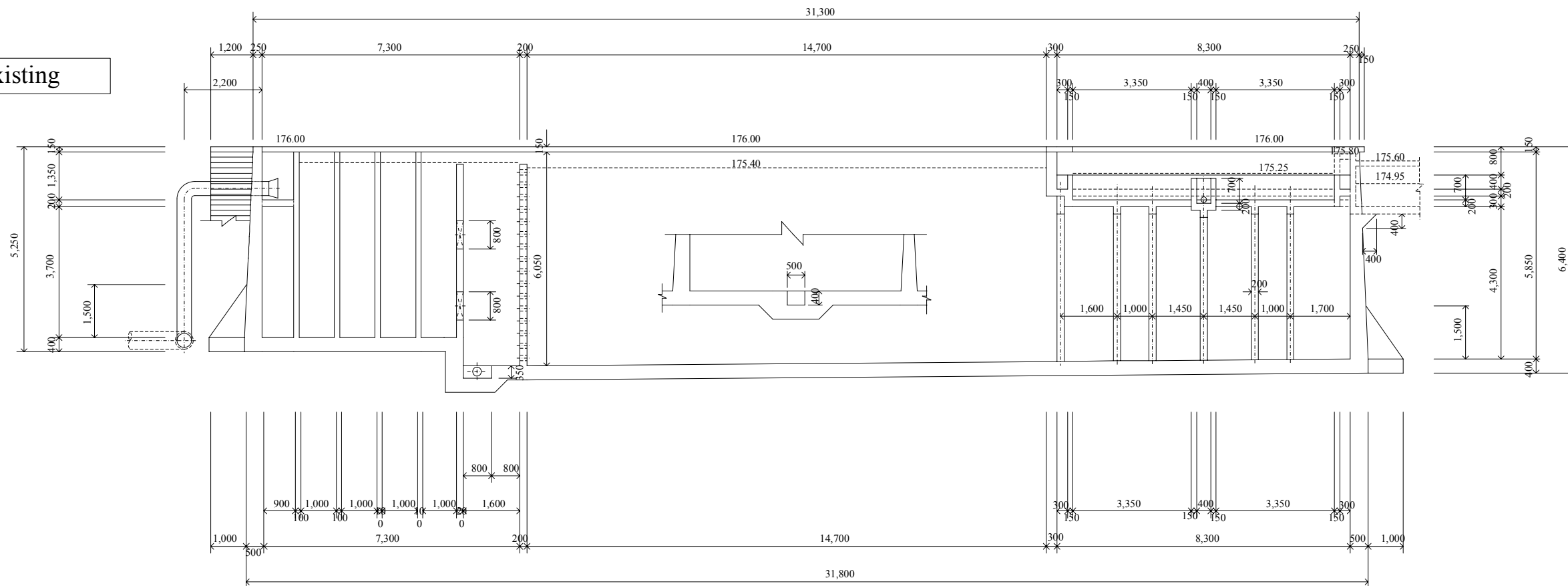
DRAWING TITLE:
 REHABILITATION OF KAOLIEO WTP
 PLAN OF FLOCCULATION & SEDIMENTATION BASIN

DESIGNED BY: _____ CHECKED BY: _____
 DRAWN BY: _____ APPROVED BY: _____

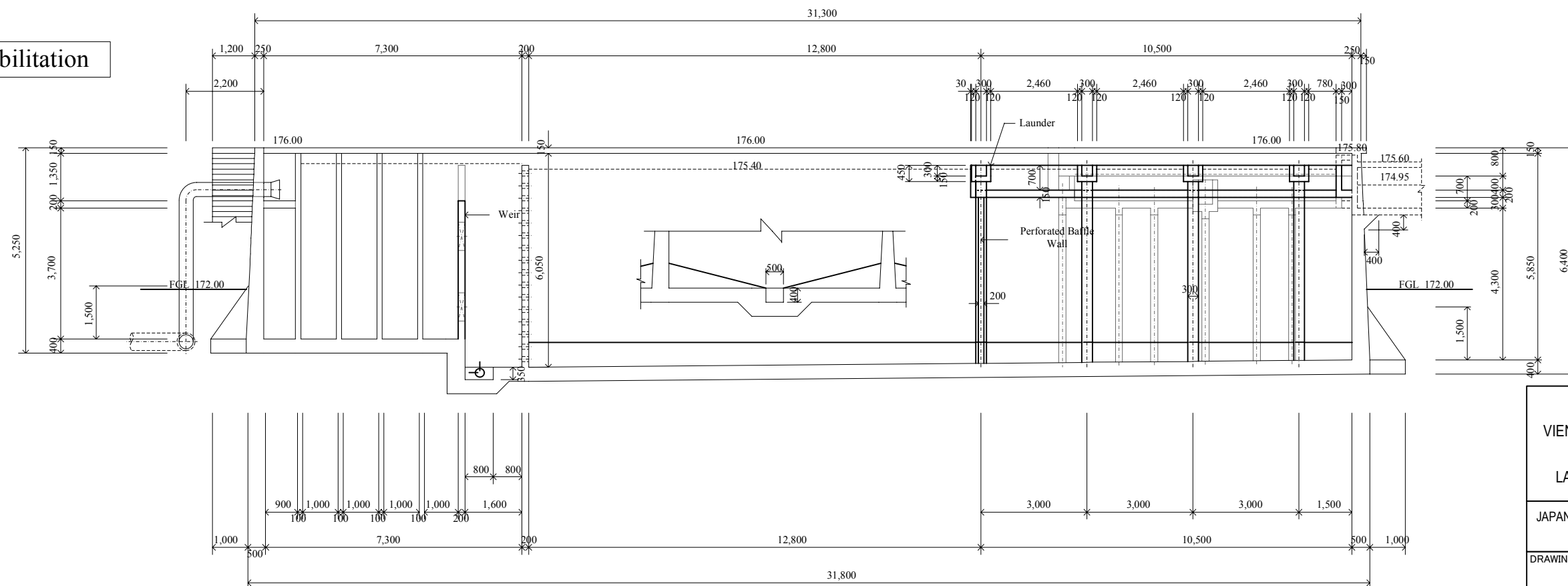
SCALE: 1.0m 0 2m 4m 6m

DATE: _____ DWG NO.: R-4 7

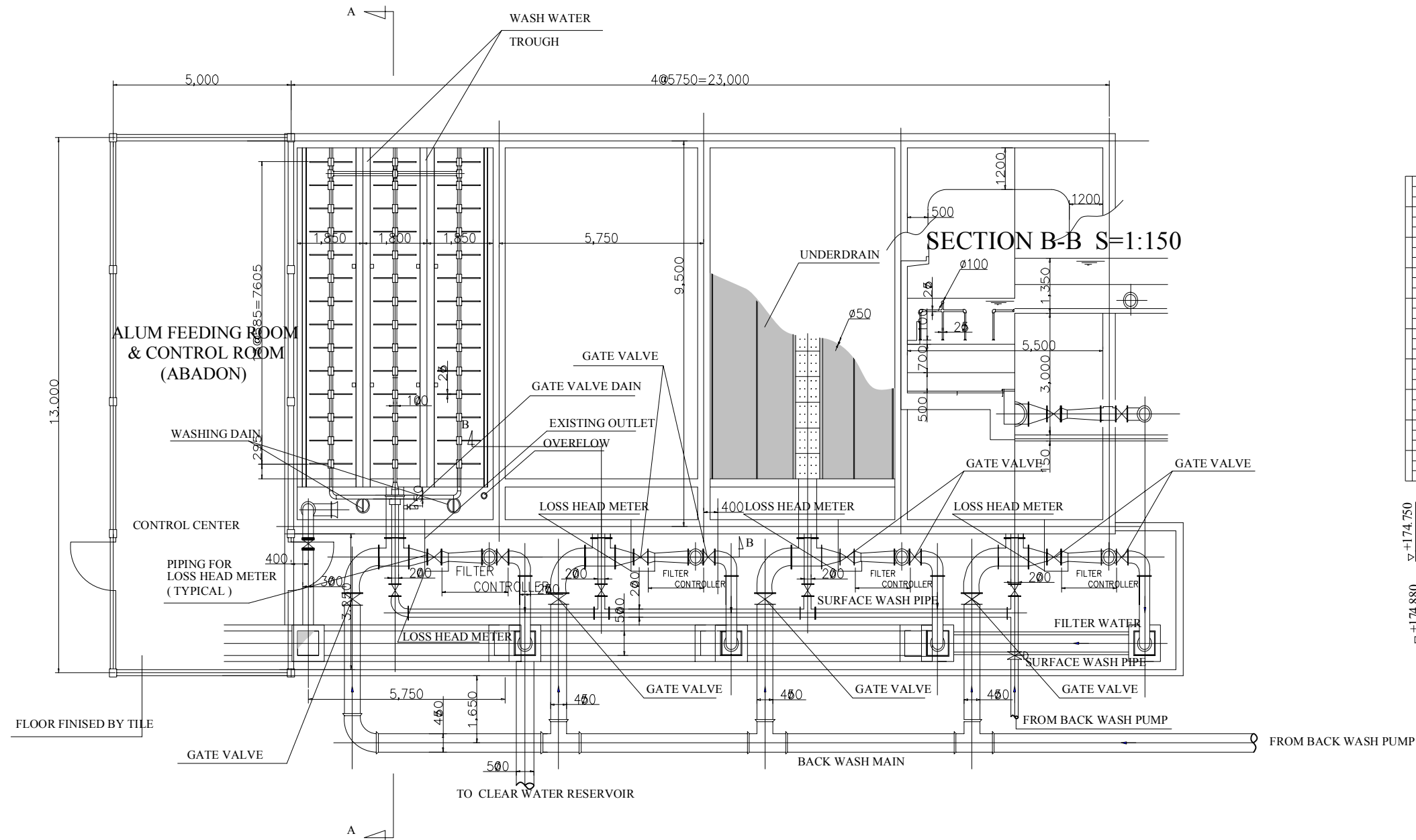
Existing



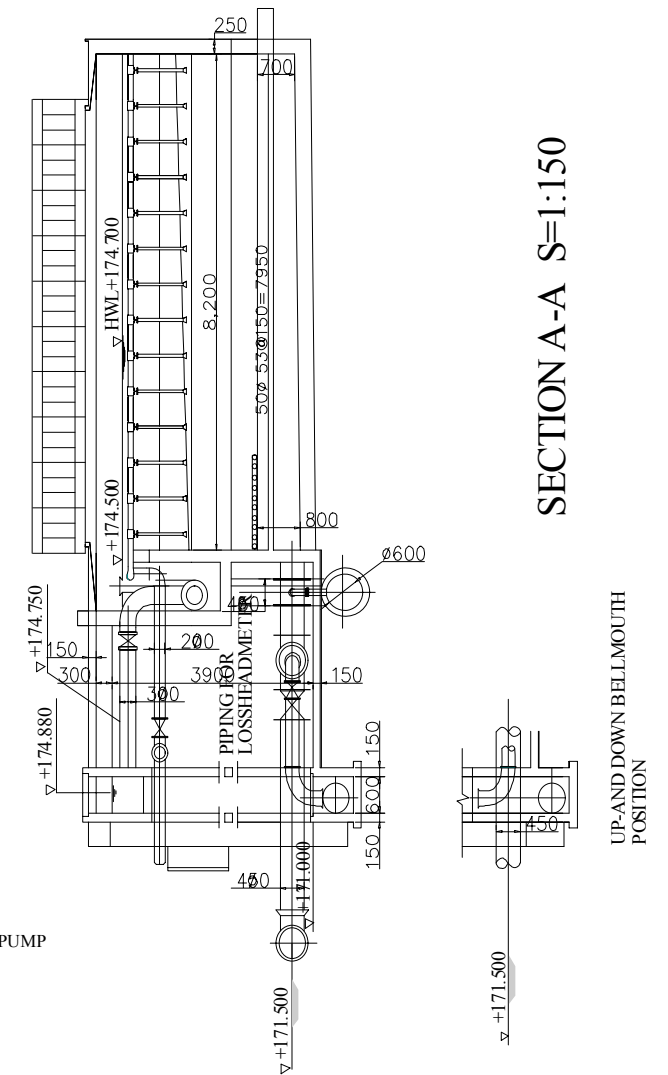
Rehabilitation



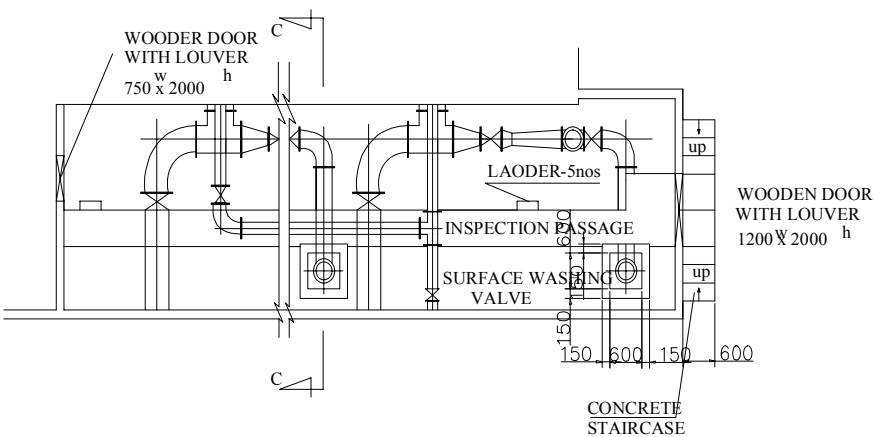
<p>THE STUDY ON VIENTIANE WATER SUPPLY DEVELOPMENT PROJECT IN LAO PEOPLE'S DEMOCRATIC REPUBLIC</p>		
<p>JAPAN INTERNATIONAL COOPERATION AGENCY (JICA) NIHON SUIDO CONSULTANTS CO., LTD.</p>		
<p>DRAWING TITLE: REHABILITATION OF KAOLIEO WTP PLAN OF FLOCCULATION & SEDIMENTATION BASIN</p>		
DESIGNED BY:	CHECKED BY:	
DRAWN BY:	APPROVED BY:	
<p>SCALE: 1.0m 0 2m 4m 6m</p>		
DATE:	DWG NO.:	R - 5
		8



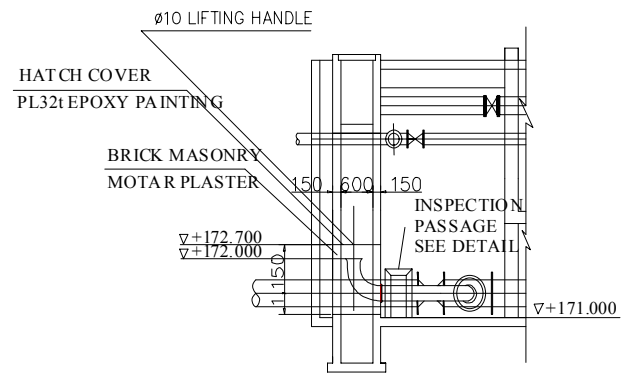
PLAN S= 1:150



SECTION A-A S=1:150



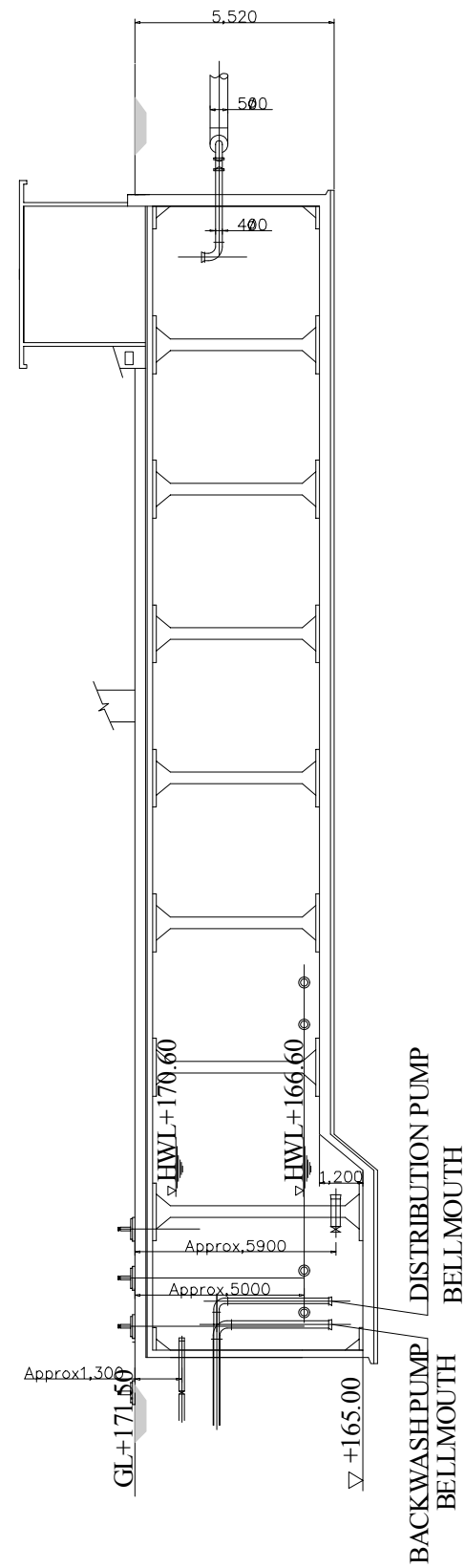
PLAN OF PIPE GALLERY S= 1:150



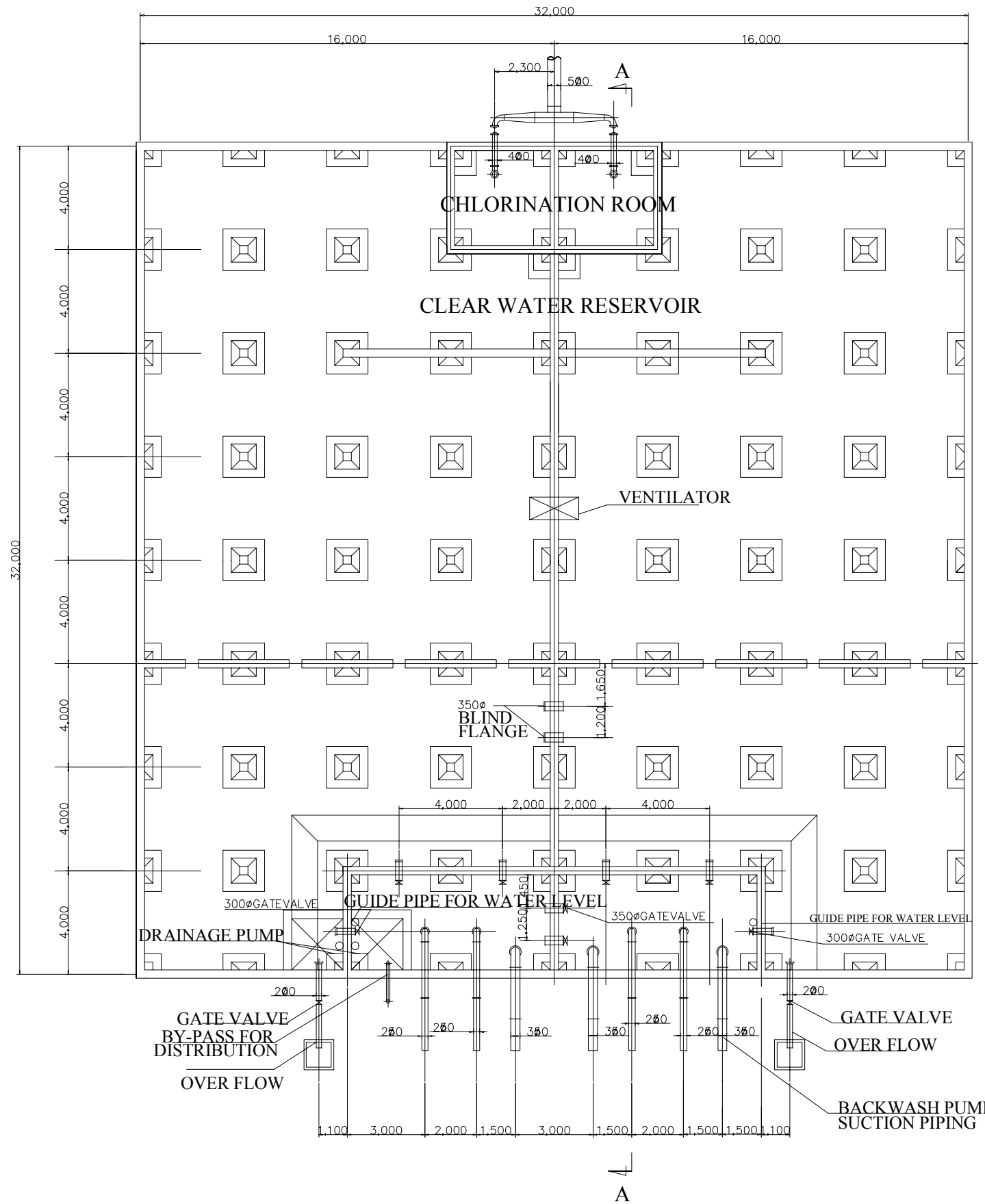
SECTION C-C S= 1:150

NOTE: REPLACEMENT OF FILTER MEDIA, UNDERDRAIN, MOTORIZED OPERATING VALVES & PIPES WITH ALL ASSOCIATED EQUIPMENT.

THE STUDY ON VIENTIANE WATER SUPPLY DEVELOPMENT PROJECT IN LAO PEOPLE'S DEMOCRATIC REPUBLIC		
JAPAN INTERNATIONAL COOPERATION AGENCY (JICA) NIHON SUIDO CONSULTANTS CO., LTD.		
DRAWING TITLE: REHABILITATION OF KAOLIEO WTP FILTRATION FACILITIES		
DESIGNED BY:	CHECKED BY:	
DRAWN BY:	APPROVED BY:	
SCALE: 1.0m 0 2m 4m 6m		
DATE:	DWG NO.:	9



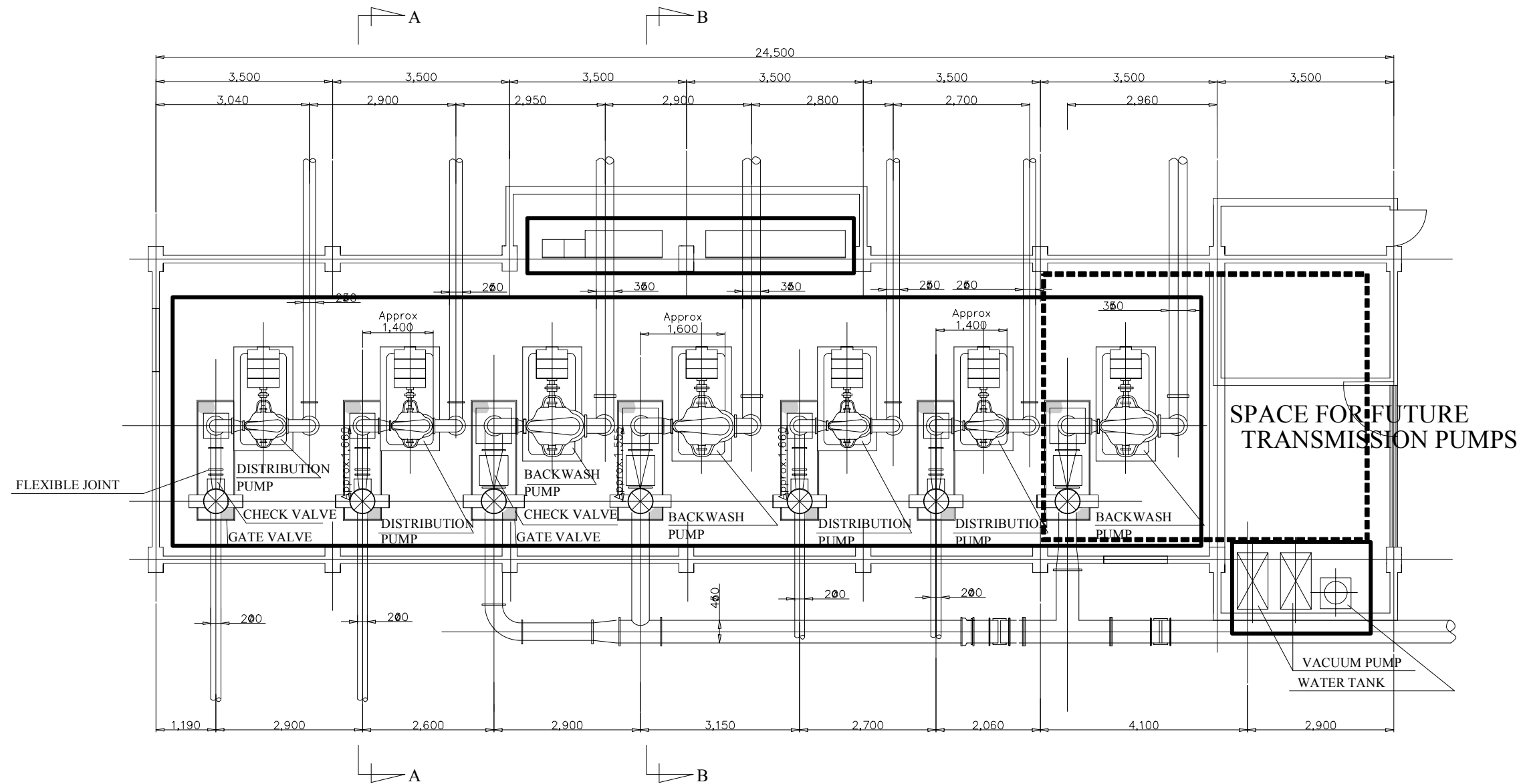
SECTION A-A S=1:200



PLAN S=1:200

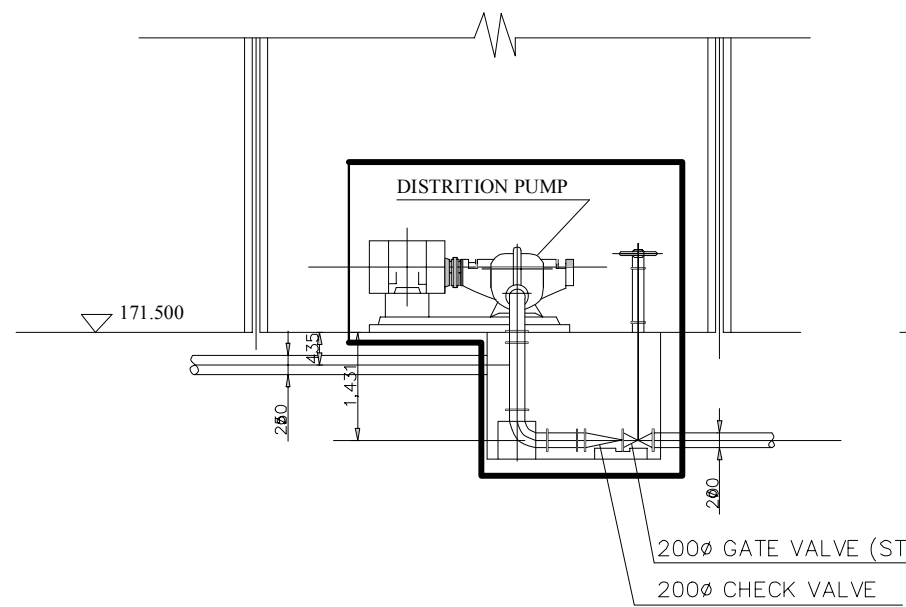
Note: INCLUDING STRUCTURE REPAIRING and VALVE REPLACEMENT IF NECESSARY.

THE STUDY ON VIENTIANE WATER SUPPLY DEVELOPMENT PROJECT IN LAO PEOPLE'S DEMOCRATIC REPUBLIC	
JAPAN INTERNATIONAL COOPERATION AGENCY (JICA) NIHON SUIDO CONSULTANTS CO., LTD.	
DRAWING TITLE: REHABILITATION OF KAOLIEO WTP CLEAR WATER RESERVOIR	
DESIGNED BY:	CHECKED BY:
DRAWN BY:	APPROVED BY:
SCALE: 1:200 1.5m 0 3m 6m 9m	
DATE:	DWG NO: R-7
	10

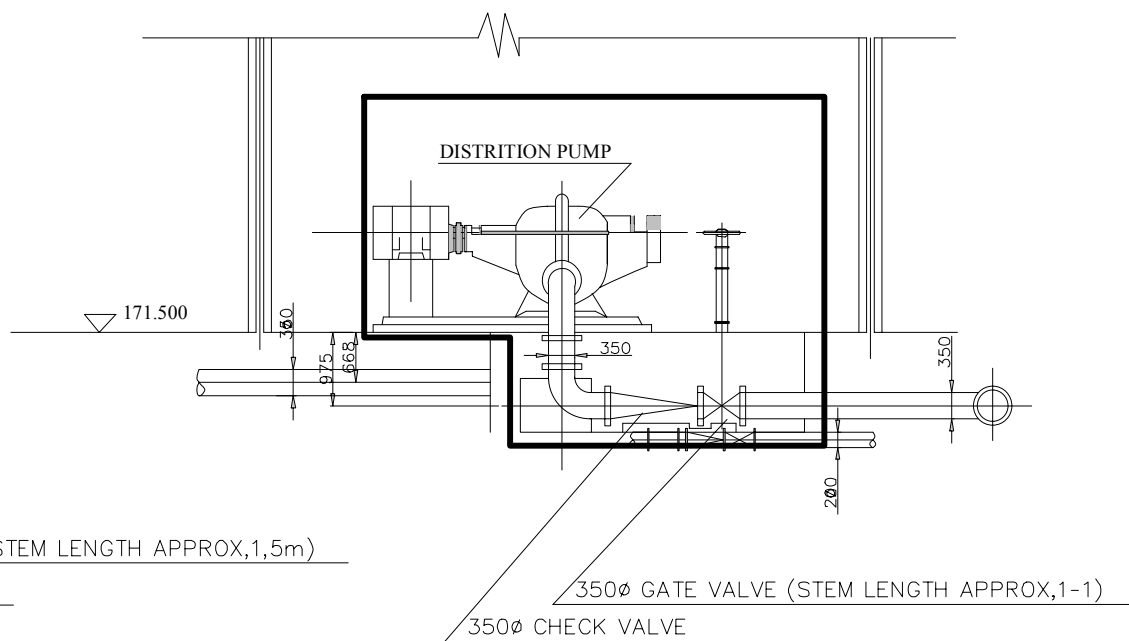


PLAN S=1:100

Note: REPLACEMENT



SECTION A-A S=1:100



SECTION B-B S=1:100

<p>THE STUDY ON VIENTIANE WATER SUPPLY DEVELOPMENT PROJECT IN LAO PEOPLE'S DEMOCRATIC REPUBLIC</p>		
<p>JAPAN INTERNATIONAL COOPERATION AGENCY (JICA) NIHON SUIDO CONSULTANTS CO., LTD.</p>		
<p>DRAWING TITLE: REHABILITATION OF KAOLIEO WTP DISTRIBUTION PUMP STATION</p>		
DESIGNED BY:	CHECKED BY:	
DRAWN BY:	APPROVED BY:	
<p>SCALE: 1:100</p>		
DATE:	DWG NO.:	R - 8
		11