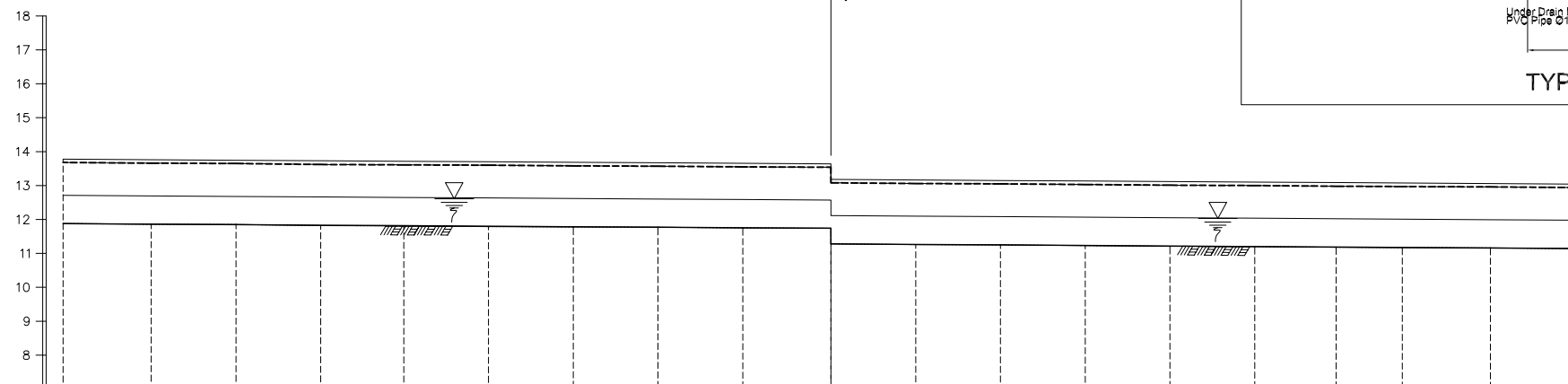
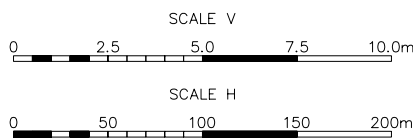
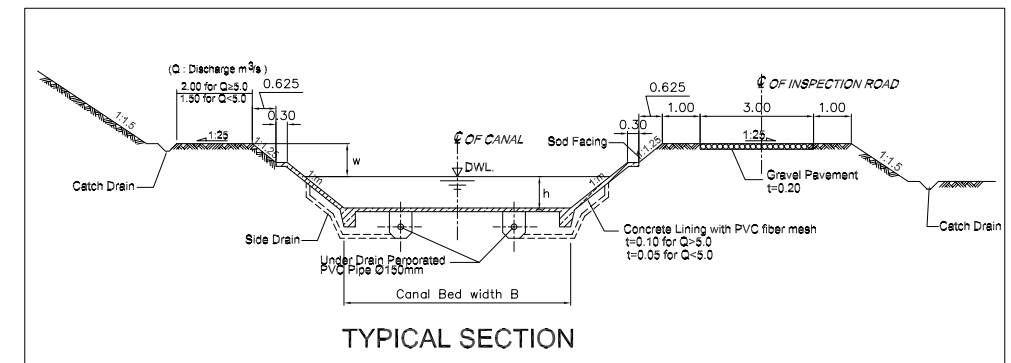
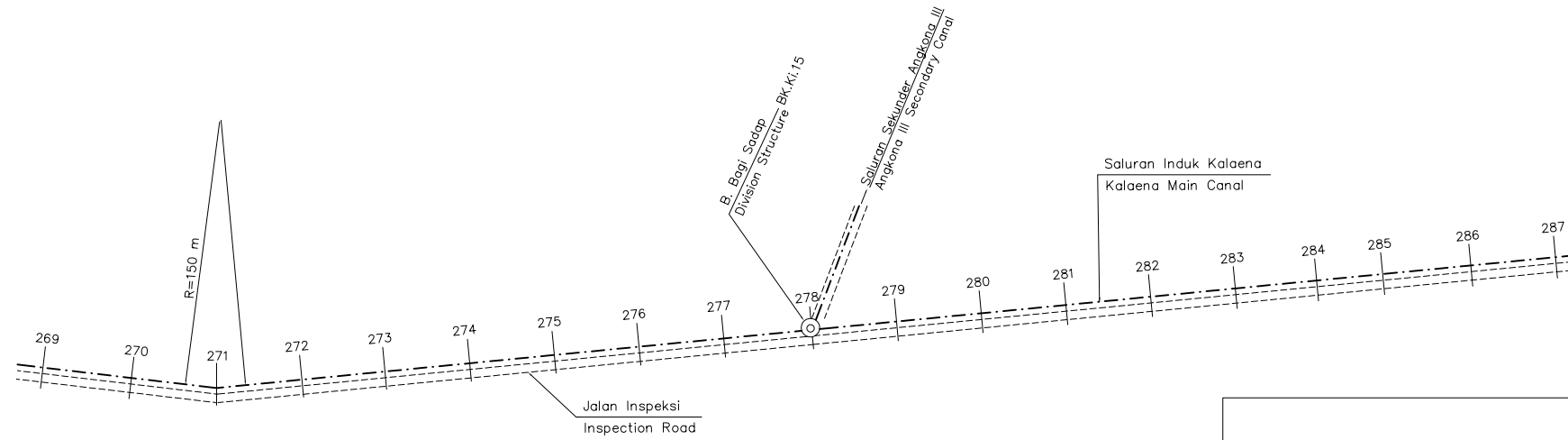


		HM 126		HM 127		HM 128		HM 129		HM 130		HM 131		HM 132		HM 133		HM 134																																			
		250	251	252	253	254	255	256	257	258	259	260	261	262	263	264	265	266	267	268	269																																
PATOK HEKTOMETER HECTOMETER STONE																																																					
NOMOR PROFIL PROFILE NUMBER																																																					
JARAK PROFIL/DISTANCE JARAK LANGSUNG ACCUMULATED DISTANCE		12,9160	50.0	12,9660	40.0	12,8060	62.0	12,8560	50.0	12,7560	52.0	12,7060	50.0	12,6560	50.0	12,6060	50.0	12,5560	50.0	12,5060	48.0	12,4560																															
ELEVASI TANGGUL KIRI EXISTING LEFT BANK LEVEL		14.91	14.81	14.79	14.77	14.73	14.73	14.71	14.71	14.66	14.66	14.64	14.64	14.61	14.61	14.60	14.60	14.58	14.58	14.57	14.56	14.56																															
ELEVASI TANGGUL KANAN EXISTING RIGHT BANK LEVEL		14.91	14.81	14.79	14.77	14.73	14.73	14.71	14.71	14.66	14.66	14.64	14.64	14.61	14.61	14.60	14.60	14.58	14.58	14.57	14.56	14.56																															
ELEVASI DASAR SALURAN PADA AS EXISTING CANAL BED LEVEL		13.06	13.01	12.99	12.97	12.95	12.95	12.91	12.91	12.88	12.88	12.84	12.84	12.81	12.81	12.80	12.80	12.78	12.78	12.77	12.77	12.76																															
ELEVASI TANAH ASLI PADA AS SALURAN GROUND LEVEL IN CENTER LINE		13.01	13.01	12.99	12.97	12.93	12.93	12.91	12.91	12.86	12.86	12.84	12.84	12.81	12.81	12.80	12.80	12.78	12.78	12.77	12.77	12.76																															
ELEVASI TANGGUL BANK LEVEL		13.06	13.95	13.82	13.81	13.77	13.75	13.73	13.73	13.68	13.68	13.64	13.64	13.63	13.63	13.63	13.63	13.62	13.62	13.61	13.61	13.61																															
ELEVASI MUKA AIR RENCANA DESIGN WATER LEVEL		13.01	13.84	13.71	13.70	13.66	13.66	13.63	13.63	13.59	13.59	13.57	13.57	13.55	13.55	13.54	13.54	13.53	13.53	13.52	13.52	13.52																															
ELEVASI DASAR SALURAN CANAL BED LEVEL		13.06	13.01	12.99	12.97	12.95	12.95	12.91	12.91	12.88	12.88	12.84	12.84	12.81	12.81	12.80	12.80	12.78	12.78	12.77	12.77	12.76																															
DIMENSI SALURAN DAN DATA TAMBAHAN CANAL DIMENSIONS AND ADDITIONAL DATA		<table border="0"> <tr> <td>Q</td><td>V</td><td>k</td><td>B</td><td>h</td><td>w</td><td>m</td><td>i</td><td>Q</td><td>V</td><td>k</td><td>B</td><td>h</td><td>w</td><td>m</td><td>i</td> </tr> <tr> <td>2.798 m³/s</td><td>0.85 m/s</td><td>62.5</td><td>3.00m</td><td>0.83m</td><td>0.67m</td><td>1.25</td><td>2,800</td><td>2.432 m³/s</td><td>0.76 m/s</td><td>62.5</td><td>2.80 m</td><td>0.83 m</td><td>0.57 m</td><td>1.25</td><td>3,300</td> </tr> </table>																				Q	V	k	B	h	w	m	i	Q	V	k	B	h	w	m	i	2.798 m ³ /s	0.85 m/s	62.5	3.00m	0.83m	0.67m	1.25	2,800	2.432 m ³ /s	0.76 m/s	62.5	2.80 m	0.83 m	0.57 m	1.25	3,300
Q	V	k	B	h	w	m	i	Q	V	k	B	h	w	m	i																																						
2.798 m ³ /s	0.85 m/s	62.5	3.00m	0.83m	0.67m	1.25	2,800	2.432 m ³ /s	0.76 m/s	62.5	2.80 m	0.83 m	0.57 m	1.25	3,300																																						
TIPE BANGUNAN TYPE OF STRUCTURE																																																					
RENCANA PERBAIKAN REHABILITATION PLAN		Rehabilitation Grade : RG 3 (Until Hm 189+86.9) Canal : RG 4 Inspection Road : RG 3																																																			

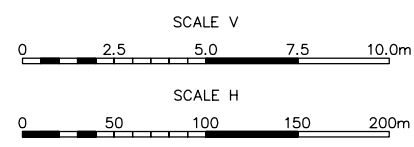
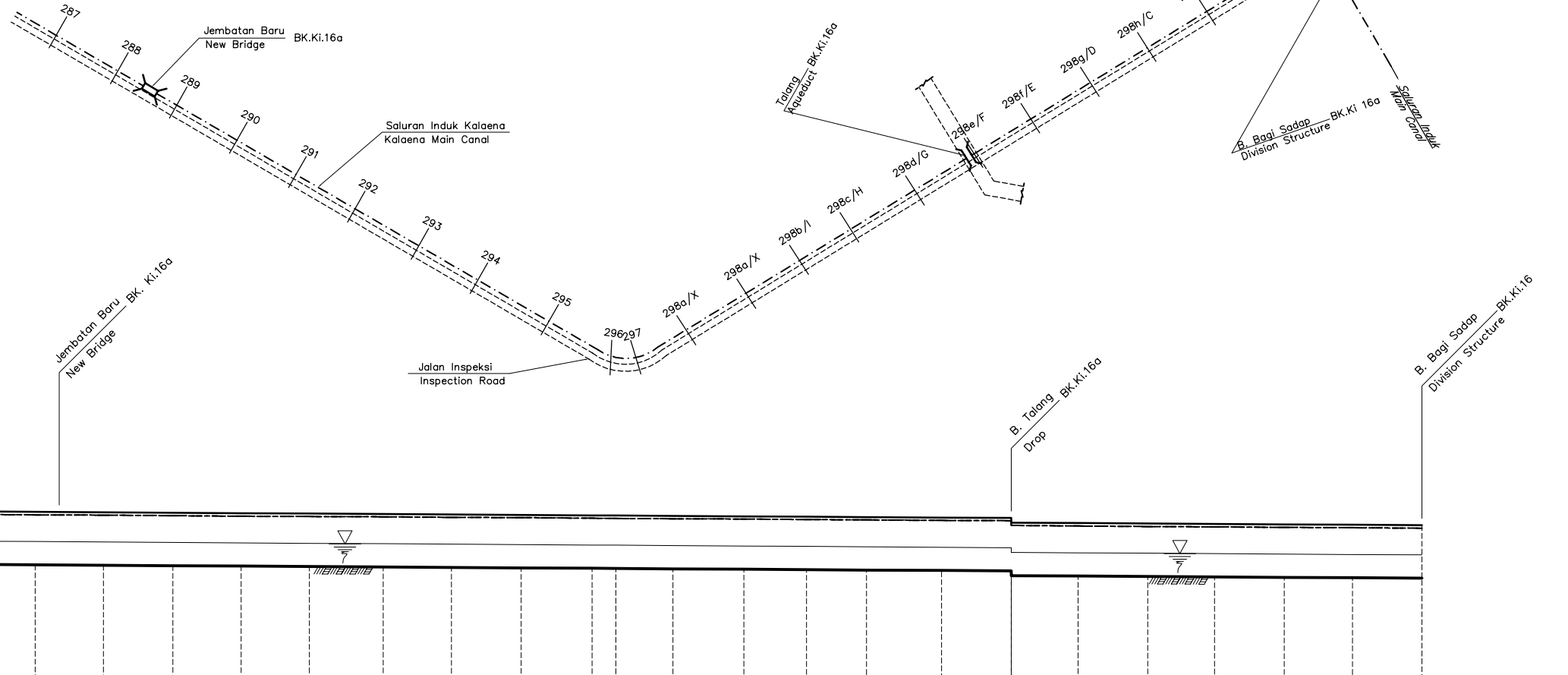
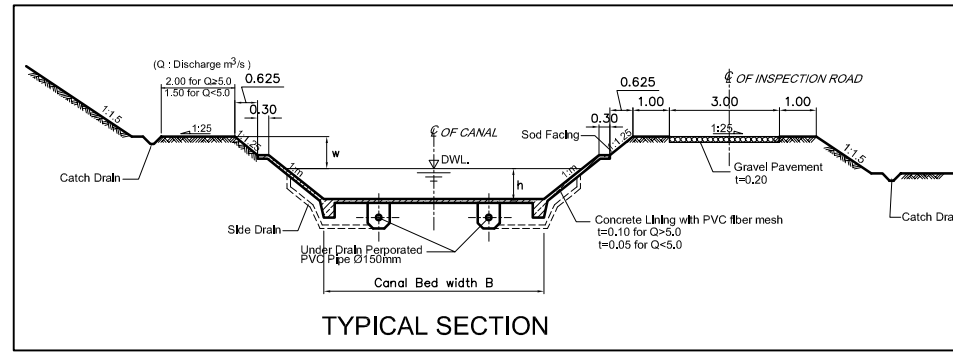
Rehabilitation Grade : RG 1 (no rehabilitation)
 RG 2 (minor rehabilitation)
 RG 3 (large scale rehabilitation)
 RG 4 (replacement or new construction)

The Study on Comprehensive Recovery Program of Irrigation Agriculture	Drawing 300-16 Kalaena Kiri Irrigation Scheme Plan & Profile of Main Canal (14/20)
Japan International Cooperation Agency	



PATOK HEKTOMETER HECTOMETER STONE		bidang persamaan/reference level +7 m																		
NOMOR PROFIL PROFILE NUMBER		HM 135		HM 136		HM 137		HM 138		HM 139		HM 140		HM 141		HM 142		HM 143		
JARAK PROFIL/DISTANCE JARAK LANGSUNG ACCUMULATED DISTANCE		269	270	271	272	273	274	275	276	277	278	279	280	281	282	283	284	285	286	287
YANG ADA/EXISTING	ELEVASI TANGGUL KIRI EXISTING LEFT BANK LEVEL	11.88	11.86	11.85	11.82	11.81	11.79	11.78	11.77	11.75	11.74	11.72	11.26	11.23	11.21	11.20	11.18	11.17	11.16	11.14
	ELEVASI TANGGUL KANAN EXISTING RIGHT BANK LEVEL	13.68	13.66	13.65	13.62	13.61	13.60	13.58	13.57	13.55	13.54	13.52	13.06	13.03	13.01	13.00	12.98	12.97	12.96	12.94
	ELEVASI DASAR SALURAN PADA AS EXISTING CANAL BED LEVEL	11.88	11.86	11.85	11.82	11.81	11.79	11.78	11.77	11.75	11.74	11.72	11.26	11.23	11.21	11.20	11.18	11.17	11.16	11.14
	ELEVASI TANAH ASLI PADA AS SALURAN GROUND LEVEL IN CENTER LINE	11.88	11.86	11.85	11.82	11.81	11.79	11.78	11.77	11.75	11.74	11.72	11.26	11.23	11.21	11.20	11.18	11.17	11.16	11.14
RENCANA/DESIGN	ELEVASI TANGGUL BANK LEVEL	13.78	13.76	13.75	13.73	13.72	13.70	13.69	13.67	13.66	13.64	13.63	13.16	13.13	13.12	13.10	13.09	13.07	13.06	13.04
	ELEVASI MUKA AIR RENCANA DESIGN WATER LEVEL	12.71	12.69	12.68	12.66	12.65	12.63	12.62	12.60	12.59	12.57	12.56	12.10	12.07	12.05	12.04	12.02	12.01	11.99	11.98
	ELEVASI DASAR SALURAN CANAL BED LEVEL	11.88	11.86	11.85	11.82	11.81	11.79	11.78	11.77	11.75	11.74	11.72	11.26	11.23	11.21	11.20	11.18	11.17	11.16	11.14
	DIMENSI SALURAN DAN DATA TAMBAHAN CANAL DIMENSIONS AND ADDITIONAL DATA	Q	V	k	B	h	w	m	i	Q	V	k	B	h	w	m	i			
TIPE BANGUNAN TYPE OF STRUCTURE	Rehabilitation Grade (Until Hm 189+86.9) Canal : RG 4 Inspection Road : RG 3																			
RENCANA PERBAIKAN REHABILITATION PLAN																				

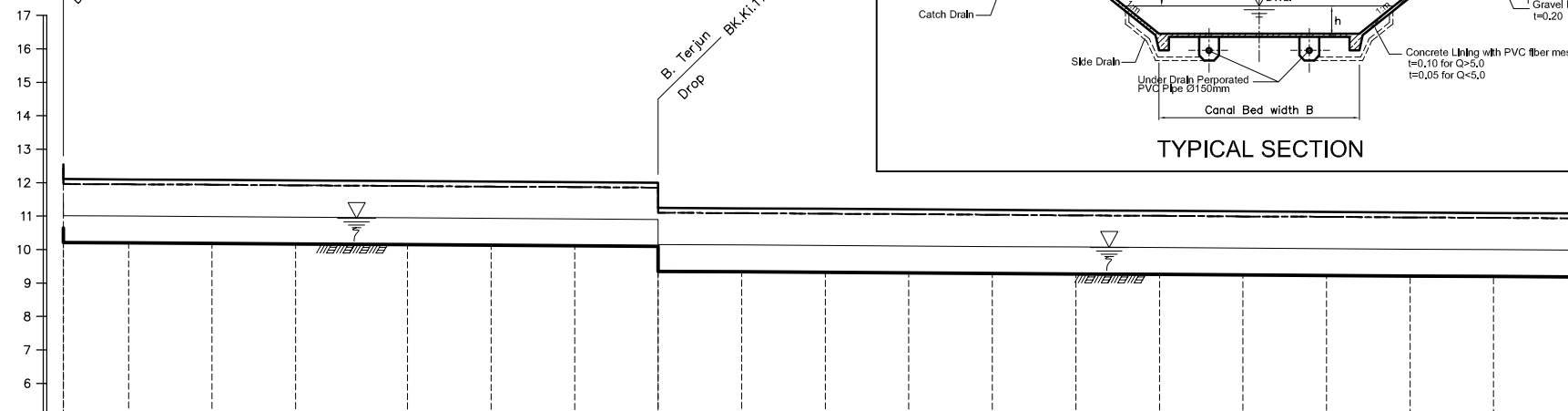
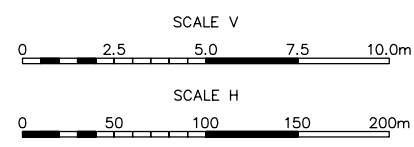
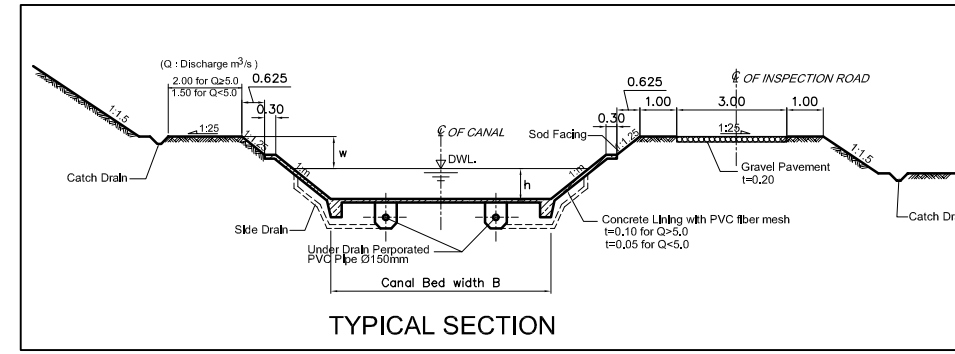
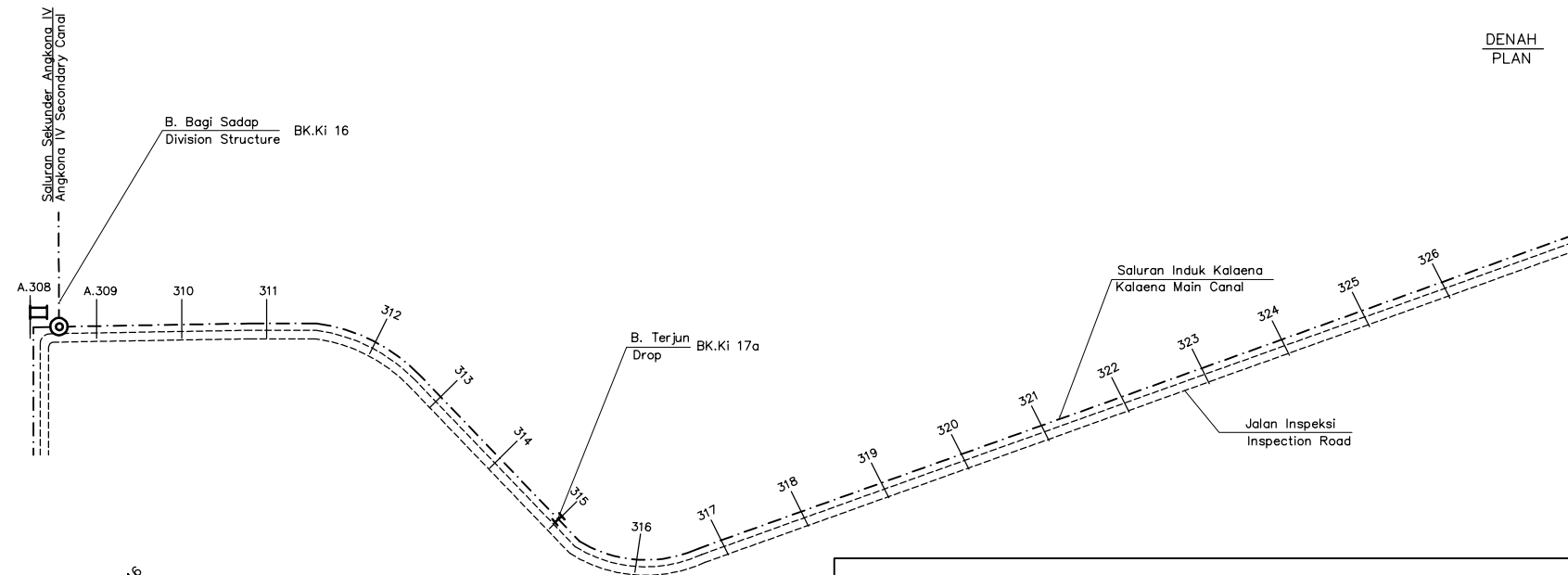
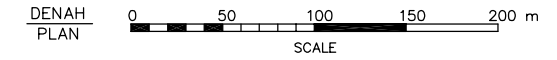
Rehabilitation Grade : RG 1 (no rehabilitation)
RG 2 (minor rehabilitation)
RG 3 (large scale rehabilitation)
RG 4 (replacement or new construction)



		HM 144		HM 145		HM 146		HM 147		HM 148		HM 149		HM 150		HM 151		HM 152		HM 153					
		287	288	289	290	291	292	293	294	295	296	297	298/K	298a/x	298b/l	298c/h	298d/g	298e/f	298f/e	298g/d	298h/c	298i/b	298j/a	299	
PATOK HEKTOMETER HECTOMETER STONE																									
NOMOR PROFIL PROFILE NUMBER																									
JARAK LANGSUNG ACCUMULATED DISTANCE		51.0	14,331.60	14,400.00	31.6	50.0	49.0	49.0	53.0	49.0	50.0	51.0	17.0	41.0	51.0	45.0	43.0	54.0	50.0	48.0	50.0	48.0	50.0	50.0	
ELEVASI TANGGUL KIRI EXISTING LEFT BANK LEVEL		12.94	12.92	12.92	12.89	12.87	12.86	12.85	12.83	12.82	12.80	12.79	12.77	12.75	12.74	12.72	12.71	12.71	12.54	12.52	12.49	12.47	12.46	12.44	12.44
ELEVASI TANGGUL KANAN EXISTING RIGHT BANK LEVEL		12.94	12.92	12.91	12.89	12.87	12.86	12.85	12.83	12.82	12.80	12.79	12.77	12.75	12.74	12.72	12.71	12.71	12.54	12.52	12.49	12.47	12.46	12.44	12.44
ELEVASI DASAR SALURAN PADA AS EXISTING CANAL BED LEVEL		11.14	11.12	11.11	11.09	11.07	11.06	11.05	11.03	11.02	11.00	10.99	10.97	10.95	10.94	10.92	10.91	10.74	10.72	10.69	10.67	10.66	10.64	10.64	
ELEVASI TANAH ASLI PADA AS SALURAN GROUND LEVEL IN CENTER LINE		11.14	11.12	11.11	11.09	11.07	11.06	11.05	11.03	11.02	11.00	10.99	10.97	10.95	10.94	10.92	10.91	10.74	10.72	10.69	10.67	10.66	10.64	10.64	
ELEVASI TANGGUL BANK LEVEL		13.04	13.03	13.01	13.00	12.98	12.97	12.95	12.93	12.92	12.90	12.89	12.87	12.85	12.84	12.82	12.81	12.64	12.63	12.61	12.59	12.58	12.56	12.55	
ELEVASI MUKA AIR RENCANA DESIGN WATER LEVEL		11.98	11.96	11.95	11.93	11.92	11.90	11.88	11.87	11.85	11.84	11.83	11.81	11.79	11.77	11.76	11.74	11.57	11.56	11.54	11.53	11.51	11.50	11.48	
ELEVASI DASAR SALURAN CANAL BED LEVEL		11.14	11.12	11.11	11.09	11.07	11.06	11.05	11.03	11.02	11.00	10.99	10.97	10.95	10.94	10.92	10.91	10.74	10.72	10.69	10.67	10.66	10.64	10.64	
DIMENSI SALURAN DAN DATA TAMBAHAN CANAL DIMENSIONS AND ADDITIONAL DATA		Q = 2.173 m ³ /s V = 0.76 m/s k = 62.5 B = 2.40 m h = 0.83 m w = 0.57 m m = 1.25 i = 3,200																							
RENCANA PERBAIKAN REHABILITATION PLAN		<div style="display: flex; justify-content: space-between;"> Rehabilitation Grade : RG 4 Canal : RG 4 Inspection Road : RG 3 RG 3 RG 2 </div>																							

Rehabilitation Grade : RG 1 (no rehabilitation)
 RG 2 (minor rehabilitation)
 RG 3 (large scale rehabilitation)
 RG 4 (replacement or new construction)

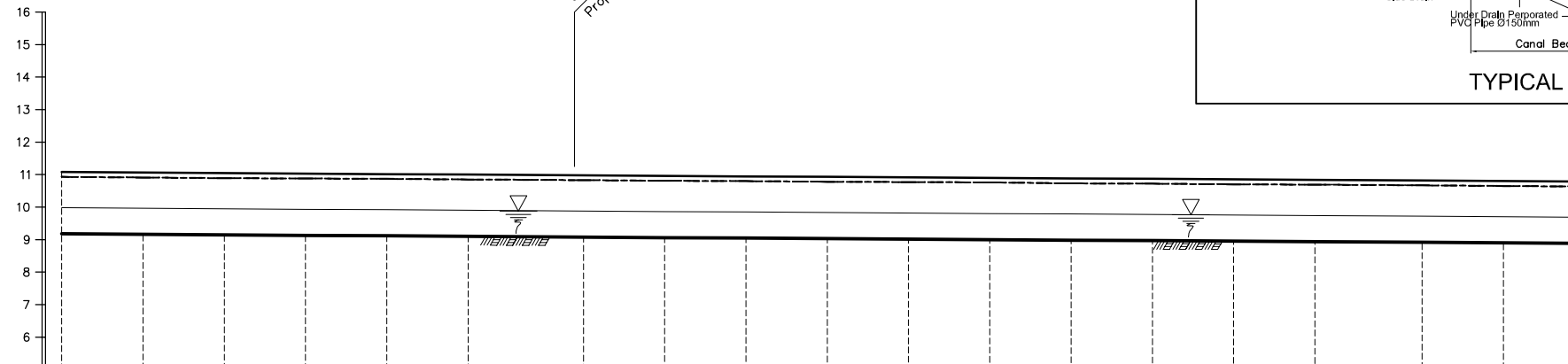
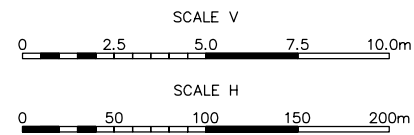
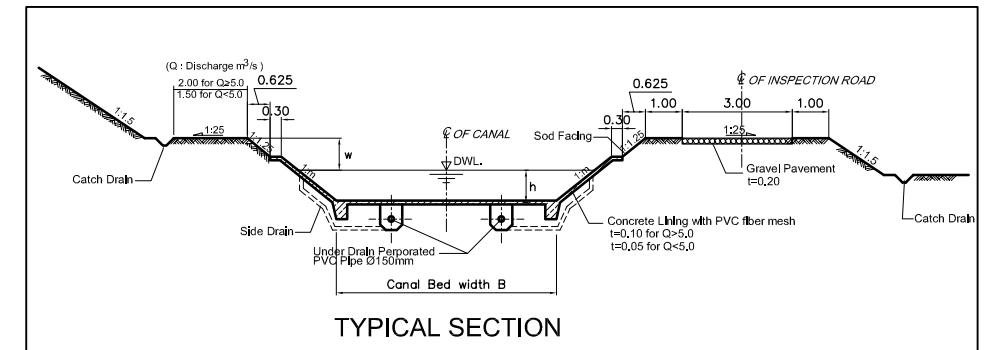
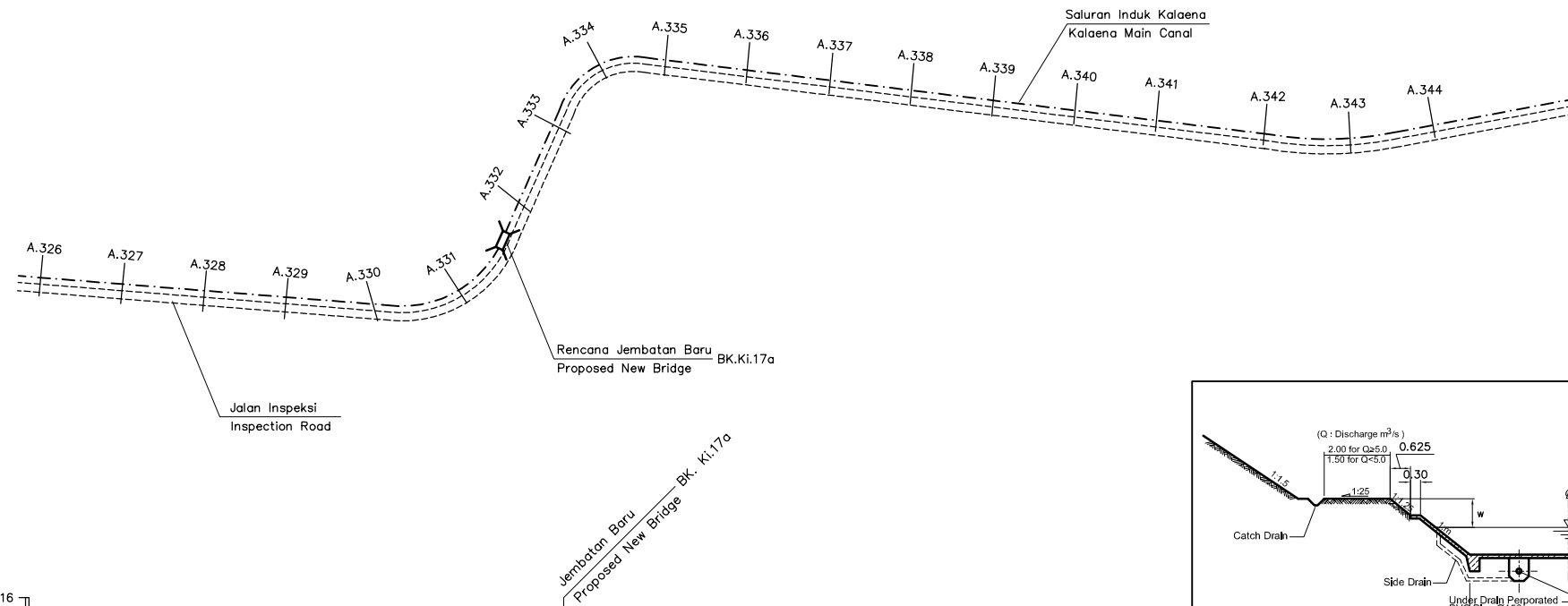
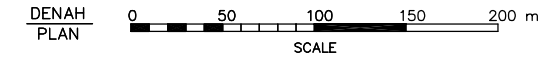
<p>The Study on Comprehensive Recovery Program of Irrigation Agriculture</p> <p>Japan International Cooperation Agency</p>	<p>Drawing 300-18</p> <p>Kalaena Kiri Irrigation Scheme</p> <p>Plan & Profile of Main Canal (16/20)</p>
---	--



		HM 154	HM 155	HM 156	HM 157	HM 158	HM 159	HM 160	HM 161	HM 162										
PATOK HEKTOMETER HECTOMETER STONE																				
NOMOR PROFIL PROFILE NUMBER		299	309	310	311	312	313	314	315	316	317	318	319	320	321	322	323	324	325	326
JARAK PROFIL/DISTANCE JARAK LANGSUNG ACCUMULATED DISTANCE		15,278.60	39.0	50.0	50.0	67.0	50.0	50.0	50.0	50.0	50.0	50.0	50.0	50.0	50.0	50.0	50.0	50.0	50.0	50.0
YANG ADA/EXISTING	ELEVASI TANGGUL KIRI EXISTING LEFT BANK LEVEL	---	---	---	---	---	---	---	---	---	---	---	---	---	---	---	---	---	---	---
	ELEVASI TANGGUL KANAN EXISTING RIGHT BANK LEVEL	---	---	---	---	---	---	---	---	---	---	---	---	---	---	---	---	---	---	---
	ELEVASI DASAR SALURAN PADA AS EXISTING CANAL BED LEVEL	10.64	10.64	10.64	10.64	10.64	10.64	10.64	10.64	10.64	10.64	10.64	10.64	10.64	10.64	10.64	10.64	10.64	10.64	10.64
	ELEVASI TANAH ASLI PADA AS SALURAN GROUND LEVEL IN CENTER LINE	10.21	10.21	10.21	10.21	10.21	10.21	10.21	10.21	10.21	10.21	10.21	10.21	10.21	10.21	10.21	10.21	10.21	10.21	10.21
RENCANA/DESIGN	ELEVASI TANGGUL BANK LEVEL	11.48	11.48	11.48	11.48	11.48	11.48	11.48	11.48	11.48	11.48	11.48	11.48	11.48	11.48	11.48	11.48	11.48	11.48	11.48
	ELEVASI MUKA AIR RENCANA DESIGN WATER LEVEL	11.01	11.01	11.01	11.01	11.01	11.01	11.01	11.01	11.01	11.01	11.01	11.01	11.01	11.01	11.01	11.01	11.01	11.01	11.01
	ELEVASI DASAR SALURAN CANAL BED LEVEL	10.65	10.65	10.65	10.65	10.65	10.65	10.65	10.65	10.65	10.65	10.65	10.65	10.65	10.65	10.65	10.65	10.65	10.65	10.65
	DIMENSI SALURAN DAN DATA TAMBAHAN CANAL DIMENSIONS AND ADDITIONAL DATA	$Q = 1.882 \text{ m}^3/\text{s}$ $V = 0.71 \text{ m/s}$ $k = 62.5$ $B = 2.20 \text{ m}$ $h = 0.80 \text{ m}$ $w = 0.60 \text{ m}$ $m = 1.25$ $i = 3,200$																		
TIPE BANGUNAN TYPE OF STRUCTURE																				
RENCANA PERBAIKAN REHABILITATION PLAN	RG 2 Rehabilitation Grade (Until Hm 189+86.9) RG 3 Canal : RG 4 Inspection Road : RG 3																			

Rehabilitation Grade : RG 1 (no rehabilitation)
 RG 2 (minor rehabilitation)
 RG 3 (large scale rehabilitation)
 RG 4 (replacement or new construction)

The Study on Comprehensive Recovery Program of Irrigation Agriculture	Drawing 300-19 Kalaena Kiri Irrigation Scheme Plan & Profile of Main Canal (17/20)
Japan International Cooperation Agency	

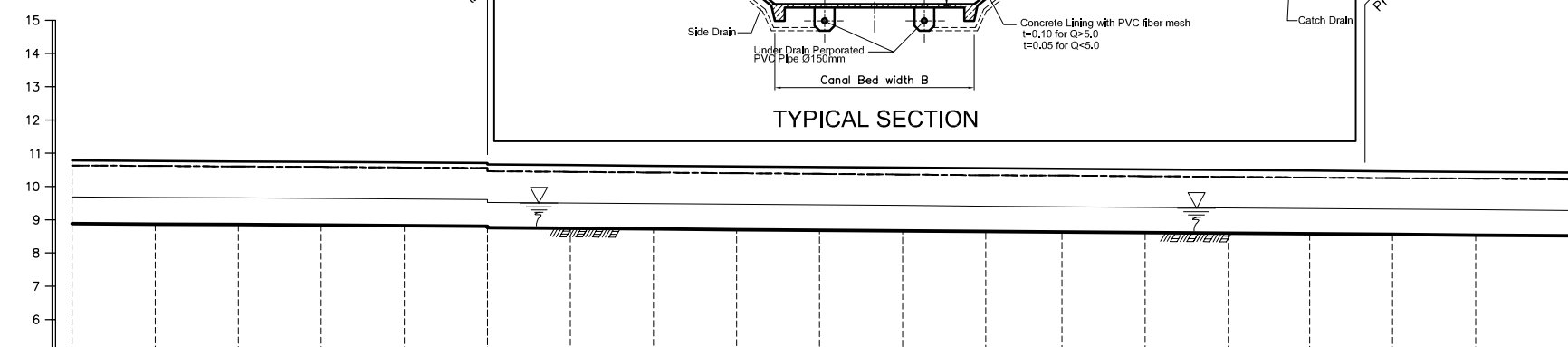
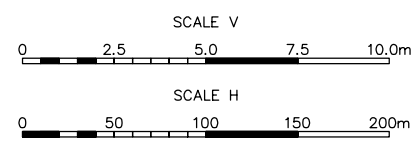
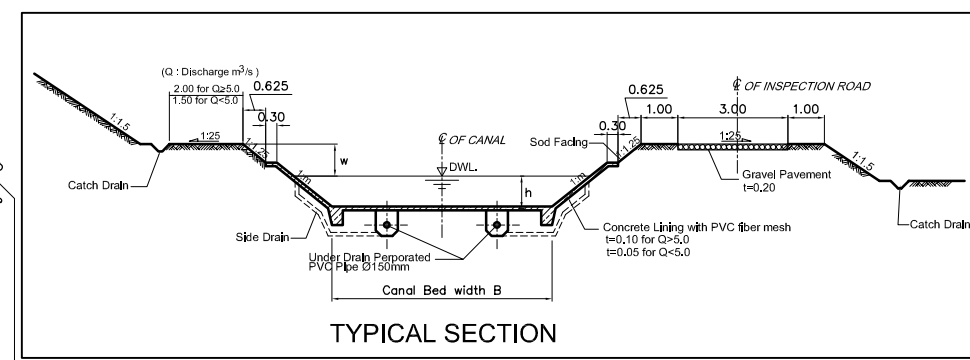
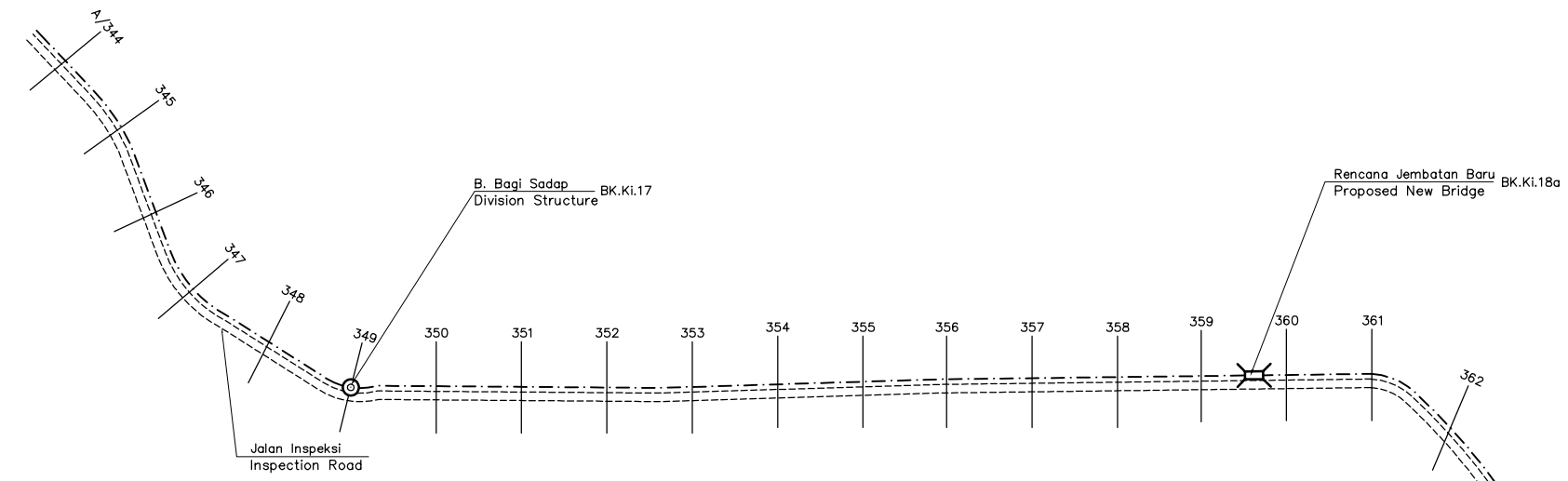
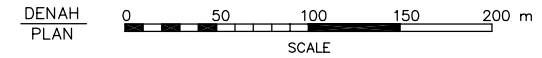


		HM 163	HM 164	HM 165	HM 166	HM 167	HM 168	HM 169	HM 170	HM 171	HM 172									
PATOK HEKTOMETER HECTOMETER STONE																				
NOMOR PROFIL PROFILE NUMBER		326	327	328	329	330	331	332	333	334	335	336	337	338	339	340	341	342	343	344
JARAK PROFIL/DISTANCE JARAK LANGSUNG ACCUMULATED DISTANCE			50.0	50.0	50.0	50.0	65.4	50.0	50.0	50.0	50.0	50.0	50.0	50.0	50.0	50.0	66.0	50.0	50.0	50.0
YANG ADA/EXISTING	ELEVASI TANGGUL KIRI EXISTING LEFT BANK LEVEL	10.93	10.91	10.89	10.88	10.87	10.85	10.83	10.81	10.80	10.78	10.77	10.76	10.73	10.72	10.70	10.69	10.67	10.65	10.63
	ELEVASI TANGGUL KANAN EXISTING RIGHT BANK LEVEL	10.93	10.91	10.89	10.88	10.87	10.85	10.83	10.81	10.80	10.78	10.77	10.76	10.73	10.72	10.70	10.69	10.67	10.65	10.63
	ELEVASI DASAR SALURAN PADA AS EXISTING CANAL BED LEVEL	9.18	9.16	9.14	9.13	9.12	9.10	9.08	9.06	9.05	9.03	9.02	9.01	8.98	8.97	8.95	8.94	8.92	8.90	8.88
	ELEVASI TANAH ASLI PADA AS SALURAN GROUND LEVEL IN CENTER LINE	9.18	9.16	9.14	9.13	9.12	9.10	9.08	9.06	9.05	9.03	9.02	9.01	8.98	8.97	8.95	8.94	8.92	8.90	8.88
RENCANA/DESIGN	ELEVASI TANGGUL BANK LEVEL	11.08	11.06	11.05	11.03	11.02	11.00	10.98	10.96	10.95	10.93	10.92	10.90	10.88	10.87	10.85	10.84	10.82	10.80	10.79
	ELEVASI MUKA AIR RENCANA DESIGN WATER LEVEL	9.98	9.97	9.95	9.93	9.92	9.90	9.88	9.86	9.85	9.83	9.82	9.80	9.79	9.77	9.76	9.74	9.72	9.70	9.69
	ELEVASI DASAR SALURAN CANAL BED LEVEL	9.18	9.16	9.15	9.13	9.12	9.10	9.08	9.06	9.05	9.03	9.02	9.00	8.98	8.97	8.95	8.94	8.92	8.90	8.89
	DIMENSI SALURAN DAN DATA TAMBAHAN CANAL DIMENSIONS AND ADDITIONAL DATA	Q = 1.882 m/s V = 0.71m/s k = 62.5 B = 2.20 m h = 0.77 m w = 0.63 m m = 1.25 i = 3.200																		
TIPE BANGUNAN TYPE OF STRUCTURE	Rehabilitation Grade (Until Hm 189+86.9) Canal : RG 4 Inspection Road : RG 3																			
RENCANA PERBAIKAN REHABILITATION PLAN	RG 4																			

Rehabilitation Grade : RG 1 (no rehabilitation)
 RG 2 (minor rehabilitation)
 RG 3 (large scale rehabilitation)
 RG 4 (replacement or new construction)

The Study on Comprehensive Recovery Program
 of Irrigation Agriculture
 Japan International Cooperation Agency

Drawing 300-20
 Kalaena Kiri Irrigation Scheme
 Plan & Profile of Main Canal (18/20)

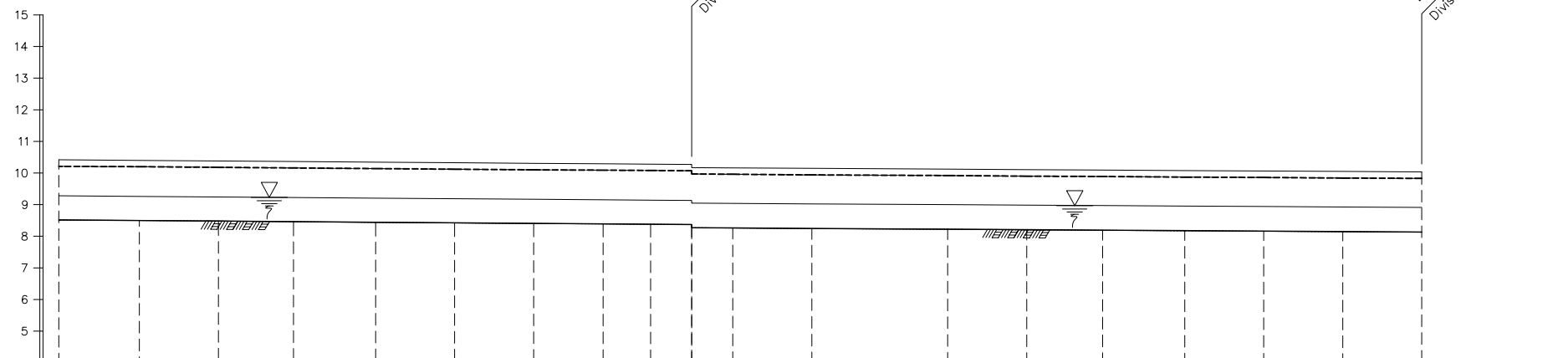
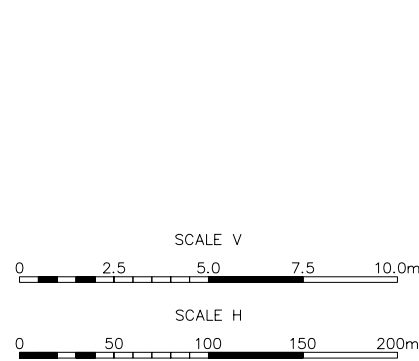
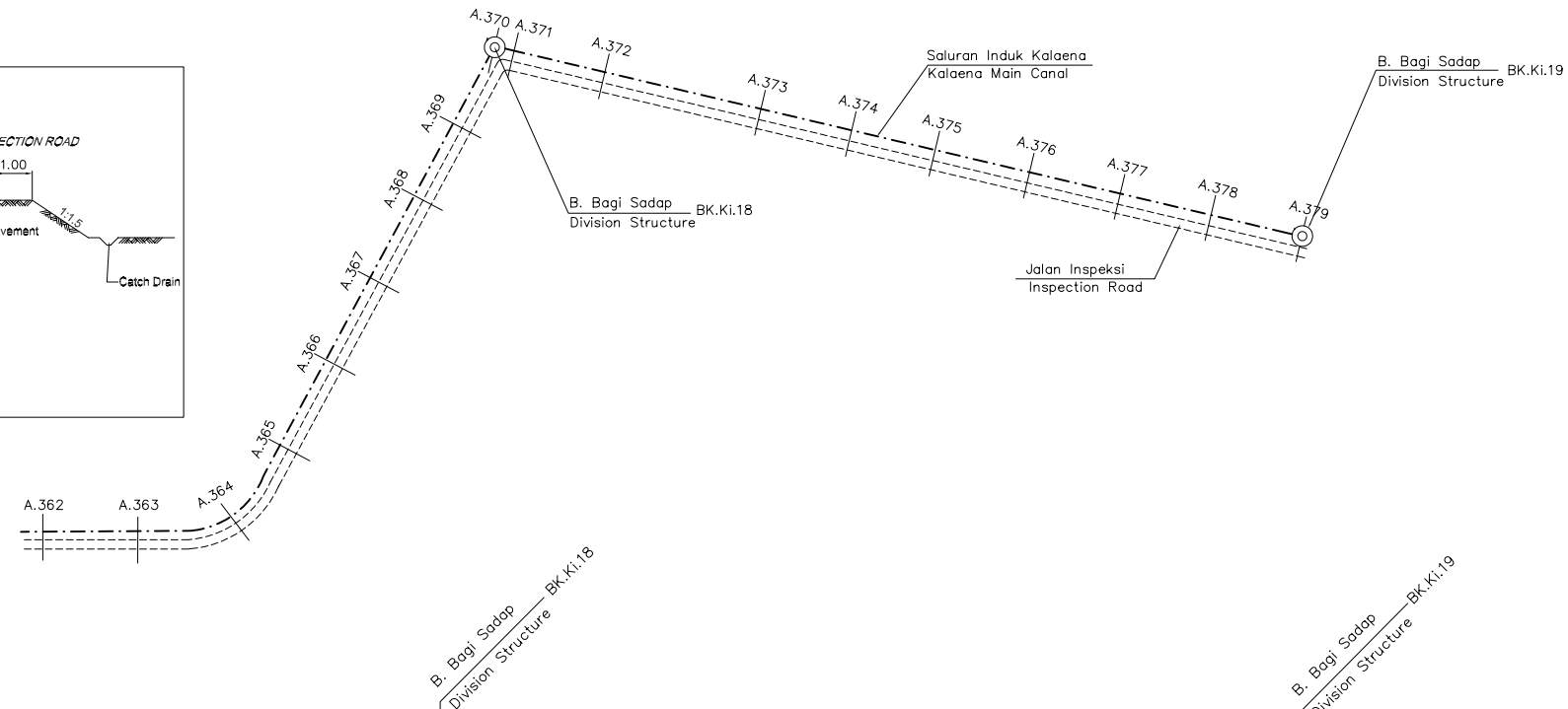
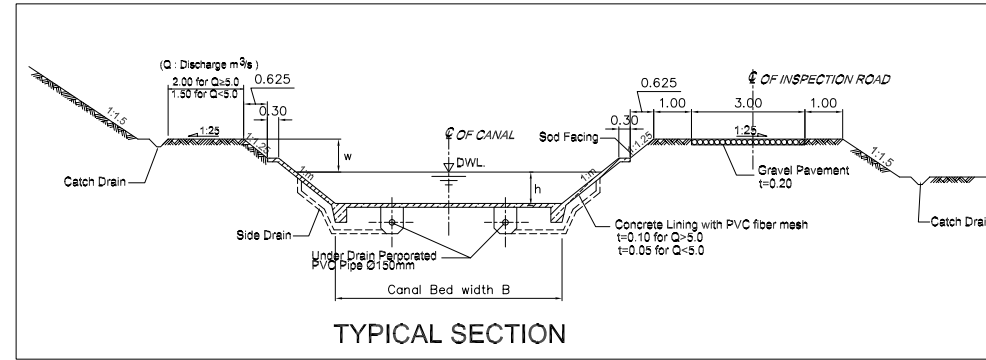
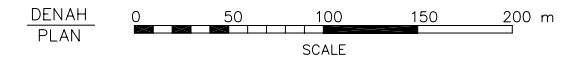


		HM 173	HM 174	HM 175	HM 176	HM 177	HM 178	HM 179	HM 180	HM 181											
PATOK HEKTOMETER HECTOMETER STONE																					
NOMOR PROFIL PROFILE NUMBER		344	345	346	347	348	349	350	351	352	353	354	355	356	357	358	359	360	361	362	
JARAK PROFIL/DISTANCE JARAK LANGSUNG ACCUMULATED DISTANCE			50.0	50.0	50.0	50.0	50.0	50.0	50.0	50.0	50.0	50.0	46.0	50.0	50.0	49.0	33.4	18,000.00	16.8	50.0	57.8
YANG ADA/EXISTING	ELEVASI TANGGUL KIRI EXISTING LEFT BANK LEVEL	10.63	10.62	10.60	10.59	10.57	10.56	10.44	10.40	10.38	10.36	10.34	10.34	10.33	10.31	10.29	10.27	10.27	10.25	10.24	10.21
	ELEVASI TANGGUL KANAN EXISTING RIGHT BANK LEVEL	10.63	10.62	10.60	10.59	10.57	10.56	10.44	10.40	10.38	10.36	10.34	10.34	10.33	10.31	10.29	10.27	10.27	10.25	10.24	10.21
	ELEVASI DASAR SALURAN PADA AS EXISTING CANAL BED LEVEL	8.88	8.87	8.85	8.84	8.82	8.81	8.74	8.70	8.68	8.66	8.64	8.64	8.63	8.61	8.59	8.57	8.55	8.54	8.51	8.51
	ELEVASI TANAH ASLI PADA AS SALURAN GROUND LEVEL IN CENTER LINE	8.88	8.87	8.85	8.84	8.82	8.81	8.74	8.70	8.68	8.66	8.64	8.64	8.63	8.61	8.59	8.57	8.55	8.54	8.51	8.51
RENCANA/DESIGN	ELEVASI TANGGUL BANK LEVEL	10.79	10.77	10.75	10.74	10.72	10.71	10.64	10.60	10.59	10.57	10.55	10.53	10.51	10.49	10.48	10.46	10.44	10.42	10.42	10.42
	ELEVASI MUKA AIR RENCANA DESIGN WATER LEVEL	9.69	9.67	9.66	9.64	9.63	9.61	9.50	9.47	9.45	9.43	9.41	9.39	9.38	9.36	9.34	9.32	9.30	9.28	9.28	9.28
	ELEVASI DASAR SALURAN CANAL BED LEVEL	8.89	8.87	8.85	8.84	8.82	8.81	8.74	8.70	8.69	8.67	8.65	8.63	8.61	8.59	8.58	8.56	8.54	8.52	8.52	8.52
	DIMENSI SALURAN DAN DATA TAMBAHAN CANAL DIMENSIONS AND ADDITIONAL DATA	$Q=1.882\text{m}^3/\text{s}$ $V=0.71\text{m}/\text{s}$ $k=62.5$ $B=2.20\text{m}$ $h=0.77\text{m}$ $w=0.63\text{m}$ $m=1.25$ $i=3.200$																			
TIPE BANGUNAN TYPE OF STRUCTURE	<div style="display: flex; justify-content: space-between;"> Rehabilitation Grade (Until Hm 189+86.9) Canal : RG 4 Inspection Road : RG 3 </div>																				
RENCANA PERBAIKAN REHABILITATION PLAN																					

Rehabilitation Grade : RG 1 (no rehabilitation)
 RG 2 (minor rehabilitation)
 RG 3 (large scale rehabilitation)
 RG 4 (replacement or new construction)

The Study on Comprehensive Recovery Program
 of Irrigation Agriculture
 Japan International Cooperation Agency

Drawing 300-21
 Kalaena Kiri Irrigation Scheme
 Plan & Profile of Main Canal (19/20)



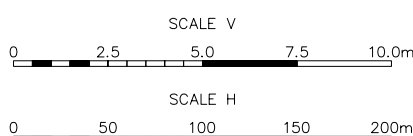
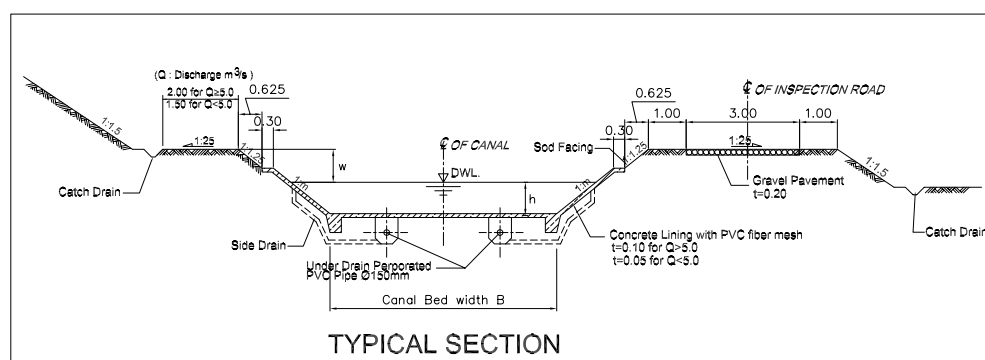
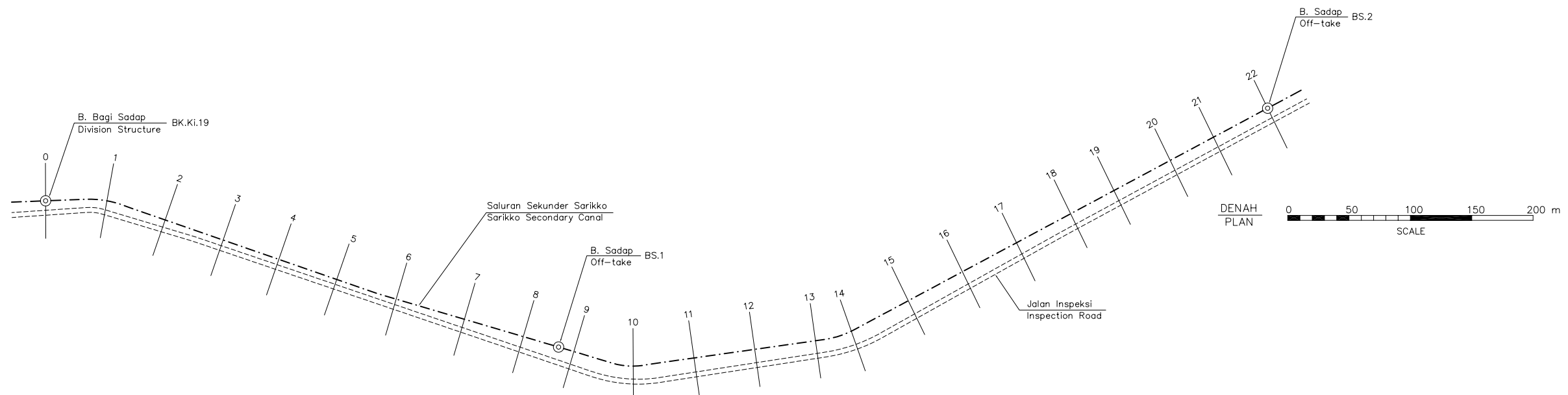
		HM 182	HM 183	HM 184	HM 185	HM 186	HM 187	HM 188	HM 189																														
PATOK HEKTOMETER HECTOMETER STONE																																							
NOMOR PROFIL PROFILE NUMBER		362	363	364	365	366	367	368	369	370	371	372	373	374	375	376	377	378	379																				
JARAK PROFIL/DISTANCE JARAK LANGSUNG ACCUMULATED DISTANCE		18,174.40	51.0	18,175.40	50.0	18,225.40	47.5	18,272.90	52.0	18,324.90	50.0	18,374.90	50.0	18,424.90	44.0	18,468.90	30.0	18,498.90	26.0	18,524.90	26.0	18,550.90	50.0	18,600.90	86.0	18,686.90	50.0	18,736.90	48.0	18,784.90	52.0	18,836.90	50.0	18,886.90	50.0	18,936.90			
YANG ADA/EXISTING	ELEVASI TANGGUL KIRI EXISTING LEFT BANK LEVEL	10.21	10.21	10.18	10.16	10.14	10.12	10.12	10.10	10.09	10.08	10.08	10.07	10.07	9.97	9.96	9.96	9.96	9.97	9.97	9.97	9.97	9.96	9.96	9.96	9.96	9.96	9.96	9.96	9.96	9.96	9.96	9.96	9.96	9.96	9.96	9.96		
	ELEVASI TANGGUL KANAN EXISTING RIGHT BANK LEVEL	10.21	10.21	10.18	10.16	10.14	10.12	10.12	10.10	10.09	10.08	10.08	10.07	10.07	9.97	9.96	9.96	9.96	9.97	9.97	9.97	9.97	9.96	9.96	9.96	9.96	9.96	9.96	9.96	9.96	9.96	9.96	9.96	9.96	9.96	9.96	9.96	9.96	
	ELEVASI DASAR SALURAN PADA AS EXISTING CANAL BED LEVEL	8.51	8.50	8.48	8.46	8.44	8.42	8.42	8.40	8.39	8.38	8.38	8.37	8.37	8.27	8.26	8.26	8.26	8.26	8.27	8.27	8.27	8.26	8.26	8.26	8.26	8.26	8.26	8.26	8.26	8.26	8.26	8.26	8.26	8.26	8.26	8.26	8.26	8.26
	ELEVASI TANAH ASLI PADA AS SALURAN GROUND LEVEL IN CENTER LINE	8.51	8.50	8.48	8.46	8.44	8.42	8.42	8.40	8.39	8.38	8.38	8.37	8.37	8.27	8.26	8.26	8.26	8.26	8.27	8.27	8.27	8.26	8.26	8.26	8.26	8.26	8.26	8.26	8.26	8.26	8.26	8.26	8.26	8.26	8.26	8.26	8.26	8.26
RENCANA/DESIGN	ELEVASI TANGGUL BANK LEVEL	10.42	10.40	10.38	10.36	10.34	10.33	10.31	10.29	10.28	10.27	10.27	10.27	10.17	10.16	10.16	10.16	10.16	10.16	10.17	10.17	10.17	10.16	10.16	10.16	10.16	10.16	10.16	10.16	10.16	10.16	10.16	10.16	10.16	10.16	10.16	10.16	10.16	
	ELEVASI MUKA AIR RENCANA DESIGN WATER LEVEL	9.28	9.26	9.24	9.23	9.21	9.19	9.17	9.15	9.14	9.14	9.13	9.13	9.05	9.04	9.04	9.04	9.04	9.04	9.05	9.05	9.05	9.04	9.04	9.04	9.04	9.04	9.04	9.04	9.04	9.04	9.04	9.04	9.04	9.04	9.04	9.04	9.04	
	ELEVASI DASAR SALURAN CANAL BED LEVEL	8.52	8.50	8.48	8.46	8.44	8.43	8.41	8.39	8.38	8.38	8.37	8.37	8.27	8.26	8.26	8.26	8.26	8.26	8.27	8.27	8.27	8.26	8.26	8.26	8.26	8.26	8.26	8.26	8.26	8.26	8.26	8.26	8.26	8.26	8.26	8.26	8.26	
	DIMENSI SALURAN DAN DATA TAMBAHAN CANAL DIMENSIONS AND ADDITIONAL DATA	Q = 1.720 m ³ /s h = 0.76 m		V = 0.76 m/s w = 0.64 m		k = 62.5 m = 1.25		B = 2.00 m i = 2,700		Q = 1.587 m ³ /s h = 0.78 m		V = 0.69 m/s w = 0.62 m		k = 62.5 m = 1.25		B = 2.00 m i = 3,400																							
TIPE BANGUNAN TYPE OF STRUCTURE	Rehabilitation Grade (Until Hm 189+86.9)																			Canal : RG 4		Inspection Road : RG 3					RG 3												
RENCANA PERBAIKAN REHABILITATION PLAN	Rehabilitation Grade (Until Hm 189+86.9)																			Canal : RG 4		Inspection Road : RG 3					RG 3												

Rehabilitation Grade : RG 1 (no rehabilitation)
 RG 2 (minor rehabilitation)
 RG 3 (large scale rehabilitation)
 RG 4 (replacement or new construction)

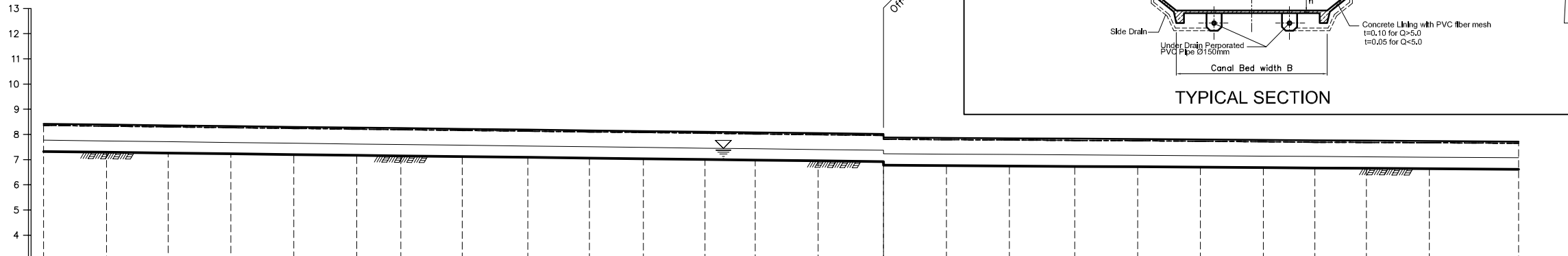
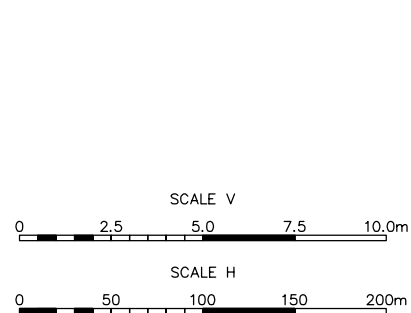
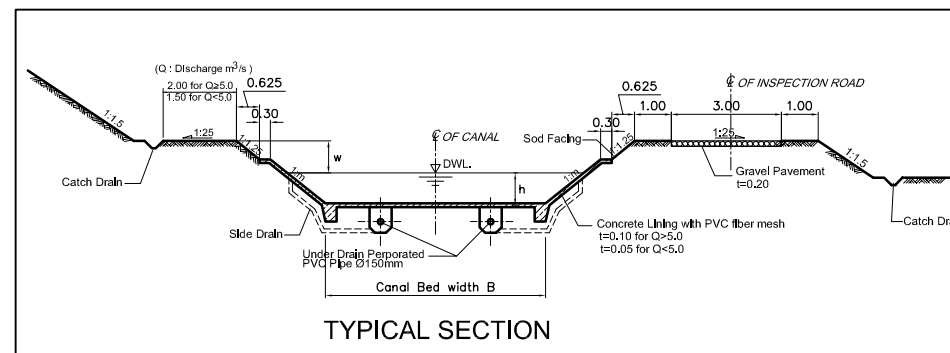
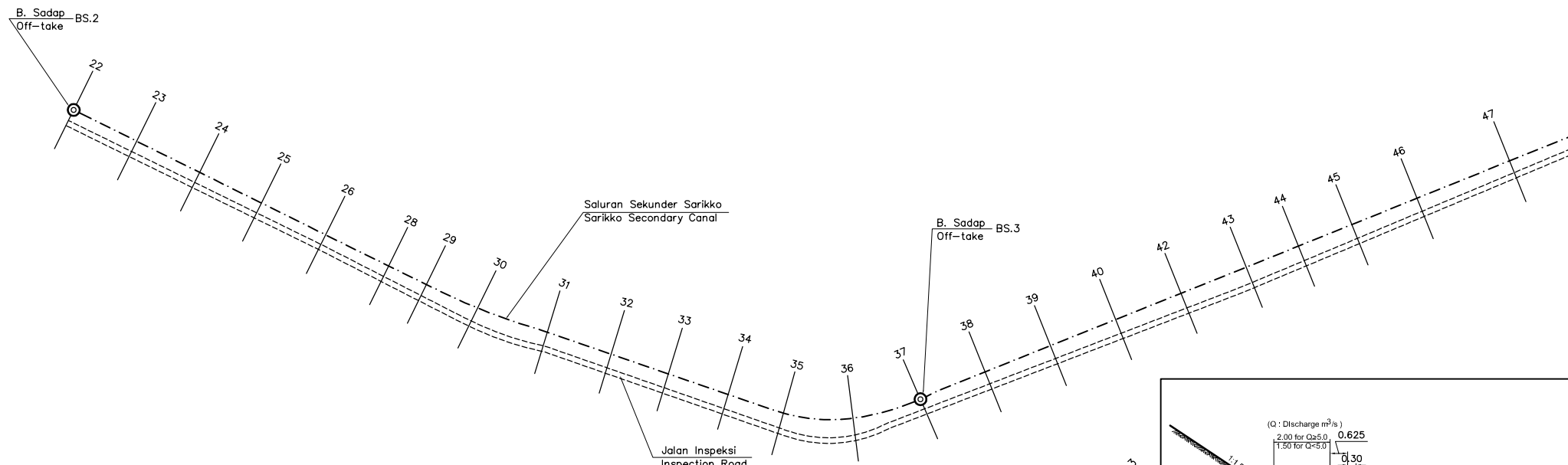
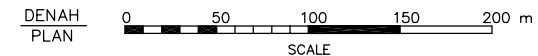
The Study on Comprehensive Recovery Program
 of Irrigation Agriculture

Japan International Cooperation Agency

Drawing 300-22
 Kalaena Kiri Irrigation Scheme
 Plan & Profile of Main Canal (20/20)



		bidang persamaan/reference level +3 m																								
PATOK HEKTOMETER HECTOMETER STONE																										
NOMOR PROFIL PROFILE NUMBER																										
JARAK PROFIL/DISTANCE JARAK LANGSUNG ACCUMULATED DISTANCE		0	1	2	3	4	5	6	7	8	9	10	11	12	13	14	15	16	17	18	19	20	21	22	23	
YANG ADA/EXISTING	ELEVASI TANGGUL KIRI EXISTING LEFT BANK LEVEL	9.44	9.43	9.41	9.40	9.38	9.37	9.35	9.34	9.32	9.31	9.31	9.31	9.30	9.30	9.30	9.30	9.30	9.30	9.30	9.30	9.30	9.30	9.30	9.30	9.30
	ELEVASI TANGGUL KANAN EXISTING RIGHT BANK LEVEL	9.44	9.43	9.41	9.40	9.38	9.37	9.35	9.34	9.32	9.31	9.31	9.31	9.30	9.30	9.30	9.30	9.30	9.30	9.30	9.30	9.30	9.30	9.30	9.30	9.30
	ELEVASI DASAR SALURAN PADA AS EXISTING CANAL BED LEVEL	8.13	8.12	8.10	8.09	8.07	8.06	8.04	8.03	8.01	8.00	7.99	7.99	7.98	7.98	7.98	7.98	7.98	7.98	7.98	7.98	7.98	7.98	7.98	7.98	7.98
	ELEVASI TANAH ASLI PADA AS SALURAN GROUND LEVEL IN CENTER LINE	8.13	8.12	8.10	8.09	8.07	8.06	8.04	8.03	8.01	8.00	7.99	7.99	7.98	7.98	7.98	7.98	7.98	7.98	7.98	7.98	7.98	7.98	7.98	7.98	7.98
RENCANA/DESIGN	ELEVASI TANGGUL BANK LEVEL	9.33	9.31	9.30	9.28	9.27	9.25	9.24	9.22	9.21	9.20	9.20	9.20	9.20	9.20	9.20	9.20	9.20	9.20	9.20	9.20	9.20	9.20	9.20	9.20	9.20
	ELEVASI MUKA AIR RENCANA DESIGN WATER LEVEL	8.69	8.68	8.66	8.65	8.63	8.62	8.60	8.59	8.57	8.56	8.56	8.56	8.56	8.56	8.56	8.56	8.56	8.56	8.56	8.56	8.56	8.56	8.56	8.56	8.56
	ELEVASI DASAR SALURAN CANAL BED LEVEL	8.13	8.11	8.10	8.08	8.07	8.05	8.04	8.02	8.01	8.00	7.99	7.99	7.98	7.98	7.98	7.98	7.98	7.98	7.98	7.98	7.98	7.98	7.98	7.98	7.98
	DIMENSI SALURAN DAN DATA TAMBAHAN CANAL DIMENSIONS AND ADDITIONAL DATA	Q=0.586 m ³ /s , V=0.55m/s , k=62.50 , B=1.20m, h=0.56m, w=0.40m, m=1.25 , i=0.0003											Q=0.470m ³ /s , V=0.67m/s , k=62.50 , B=0.80m , h=0.49m, w=0.40m , m=1.25 , i=0.0006													
TIPE BANGUNAN TYPE OF STRUCTURE	⊙																									

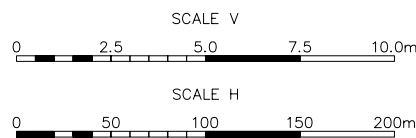
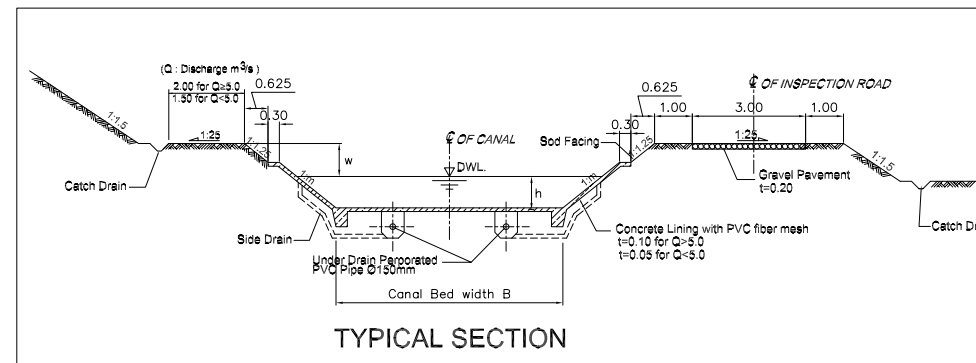
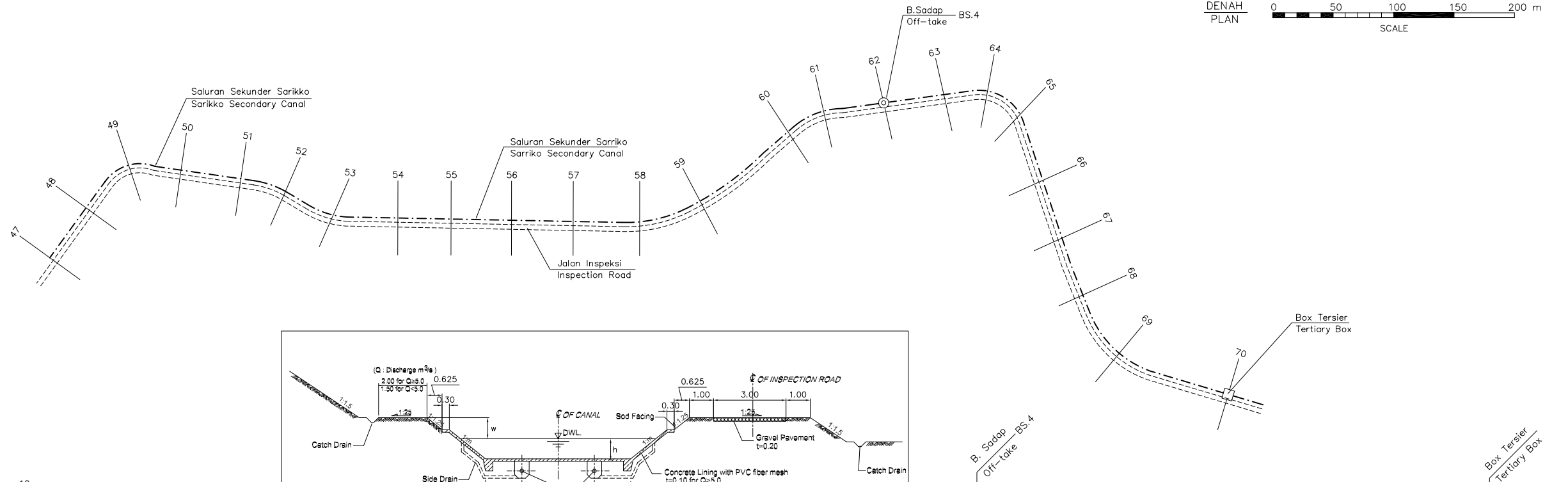


		HM 12		HM 13		HM 14		HM 15		HM 16		HM 17		HM 18		HM 19		HM 20		HM 21		HM 22		HM 23	
PATOK HEKTOMETER HECTOMETER STONE																									
NOMOR PROFIL PROFILE NUMBER																									
JARAK PROFIL/DISTANCE JARAK LANGSUNG ACCUMULATED DISTANCE																									
YANG ADA/EXISTING	ELEVASI TANGGUL KIRI EXISTING LEFT BANK LEVEL	---	8.36	8.33	8.30	8.27	8.24	8.21	8.19	8.16	8.13	8.10	8.05	8.02	7.99	7.96	7.93	7.90	7.87	7.84	7.81	7.78	7.75	7.72	7.65
	ELEVASI TANGGUL KANAN EXISTING RIGHT BANK LEVEL	---	8.36	8.33	8.30	8.27	8.24	8.21	8.19	8.16	8.13	8.10	8.05	8.02	7.99	7.96	7.93	7.90	7.87	7.84	7.81	7.78	7.75	7.72	7.65
	ELEVASI DASAR SALURAN PADA AS EXISTING CANAL BED LEVEL	---	7.32	7.29	7.26	7.23	7.20	7.17	7.15	7.12	7.09	7.06	7.01	6.98	6.95	6.92	6.89	6.86	6.83	6.80	6.77	6.74	6.71	6.68	6.62
	ELEVASI TANAH ASLI PADA AS SALURAN GROUND LEVEL IN CENTER LINE	---	7.32	7.29	7.26	7.23	7.20	7.17	7.15	7.12	7.09	7.06	7.01	6.98	6.95	6.92	6.89	6.86	6.83	6.80	6.77	6.74	6.71	6.68	6.62
RENCANA/DESIGN	ELEVASI TANGGUL BANK LEVEL	---	8.42	8.39	8.36	8.33	8.30	8.27	8.25	8.22	8.19	8.16	8.13	8.11	8.08	8.05	8.02	7.99	7.96	7.93	7.90	7.87	7.84	7.72	
	ELEVASI MUKA AIR RENCANA DESIGN WATER LEVEL	---	7.77	7.74	7.71	7.68	7.65	7.62	7.60	7.57	7.54	7.51	7.45	7.43	7.40	7.37	7.34	7.31	7.28	7.25	7.22	7.19	7.17	7.07	
	ELEVASI DASAR SALURAN CANAL BED LEVEL	---	7.32	7.29	7.26	7.23	7.20	7.17	7.15	7.12	7.09	7.06	7.01	6.98	6.95	6.92	6.89	6.86	6.83	6.80	6.77	6.74	6.71	6.62	
DIMENSI SALURAN DAN DATA TAMBAHAN CANAL DIMENSIONS AND ADDITIONAL DATA	M W V h k i w A	Q=0.358 m ³ /s, V=0.63m/s, k=62.50 , B=0.70m, h=0.45m, w=0.40m, m=1.25 , i=0.0006																							
TIPE BANGUNAN TYPE OF STRUCTURE		Q=0.27m ³ /s, V=0.47m/s, k=62.50 , B=0.70m, h=0.46m, w=0.40m, m=1.25 , i=0.0003																							

The Study on Comprehensive Recovery Program
of Irrigation Agriculture

Japan International Cooperation Agency

Drawing 300-24
Kalaena Kiri Irrigation Scheme
Plan & Profile of Sample Secondary
Canal (Sarikko Secondary Canal) (2/3)



		HM 24		HM 25		HM 26		HM 27		HM 28		HM 29		HM 30		HM 31		HM 32		HM 33		HM 34			
PATOK HEKTOMETER HECTOMETER STONE																									
NOMOR PROFIL PROFILE NUMBER		47	48	49	50	51	52	53	54	55	56	57	58	59	60	61	62	63	64	65	66	67	68	69	70
JARAK PROFIL/DISTANCE JARAK LANGSUNG ACCUMULATED DISTANCE			51.0	51.0	44.0	50.0	38.0	48.0	50.0	49.0	21.00	21.00	-29.0	135.0	50.0	91.0	50.0	50.0	46.0	30.0	51.0	50.0	50.0	50.0	97.0
YANG ADA/EXISTING	ELEVASI TANGGUL KIRI EXISTING LEFT BANK LEVEL	---	7.65	7.65	7.61	7.59	7.58	7.57	7.56	7.54	7.52	7.49	7.45	7.45	7.43	7.42	7.40	7.10	7.07	7.06	7.05	7.01	6.98	6.96	6.93
	ELEVASI TANGGUL KANAN EXISTING RIGHT BANK LEVEL	---	7.65	7.62	7.61	7.59	7.58	7.57	7.56	7.54	7.52	7.49	7.45	7.45	7.43	7.42	7.40	7.10	7.07	7.06	7.05	7.01	6.98	6.96	6.93
	ELEVASI DASAR SALURAN PADA AS EXISTING CANAL BED LEVEL	---	6.62	6.59	6.58	6.56	6.55	6.54	6.53	6.51	6.49	6.46	6.48	6.42	6.42	6.40	6.39	6.37	6.37	6.36	6.35	6.31	6.28	6.26	6.23
	ELEVASI TANAH ASLI PADA AS SALURAN GROUND LEVEL IN CENTER LINE	---	6.62	6.59	6.58	6.56	6.55	6.54	6.53	6.51	6.49	6.46	6.48	6.44	6.42	6.40	6.39	6.37	6.37	6.36	6.35	6.31	6.28	6.26	6.23
RENCANA/DESIGN	ELEVASI TANGGUL BANK LEVEL	---	7.72	7.70	7.68	7.65	7.64	7.63	7.61	7.59	7.59	7.59	7.54	7.53	7.50	7.49	7.47	7.40	7.38	7.36	7.34	7.32	7.30	7.27	7.23
	ELEVASI MUKA AIR RENCANA DESIGN WATER LEVEL	---	7.07	7.06	7.04	7.03	7.01	7.00	6.98	6.97	6.95	6.94	6.90	6.88	6.85	6.84	6.83	6.76	6.74	6.73	6.70	6.68	6.66	6.64	6.59
	ELEVASI DASAR SALURAN CANAL BED LEVEL	---	6.62	6.60	6.58	6.57	6.55	6.54	6.53	6.51	6.49	6.49	6.48	6.44	6.43	6.40	6.39	6.37	6.36	6.35	6.32	6.31	6.30	6.27	6.23
DIMENSI SALURAN DAN DATA TAMBAHAN CANAL DIMENSIONS AND ADDITIONAL DATA	Q B h i k w A	Q=0.27m ³ /s , V=0.47m/s , k=62.50 , B=0.70m , h=0.46m , w=0.40m , m=1.25 , i=0.0003											Q=0.205m ³ /s , V=0.49m/s , k=62.50 , B=0.70m , h=0.36m , w=0.40m , m=1.25 , i=0.0005												
TIPE BANGUNAN TYPE OF STRUCTURE																									