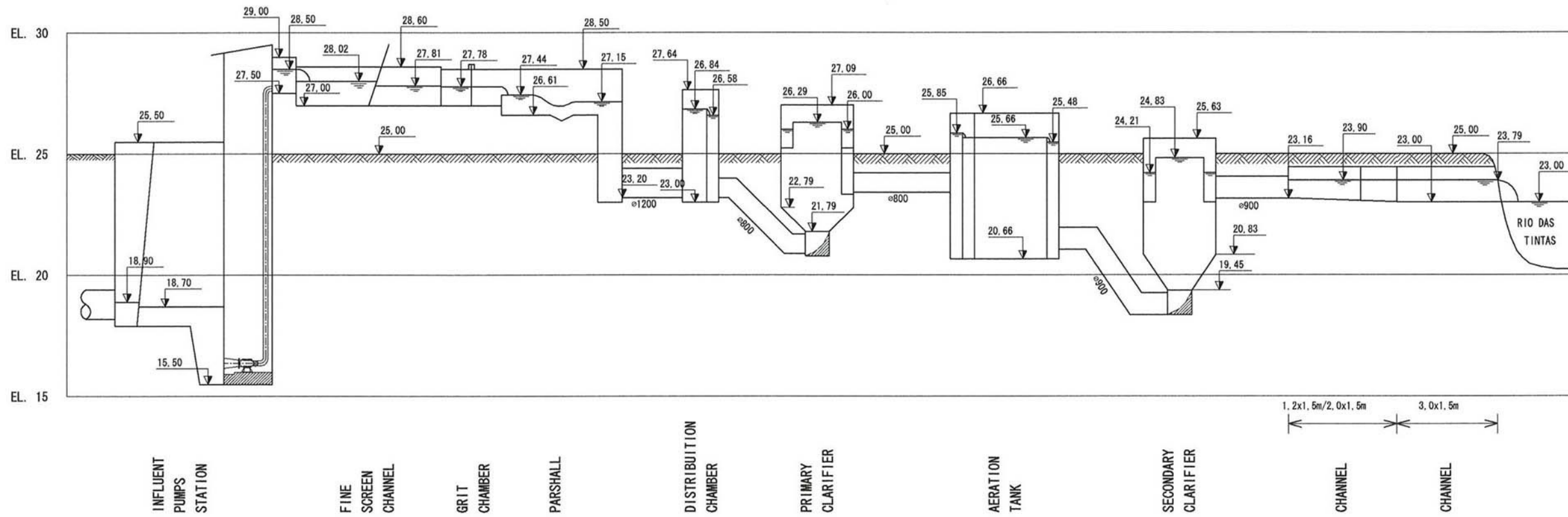
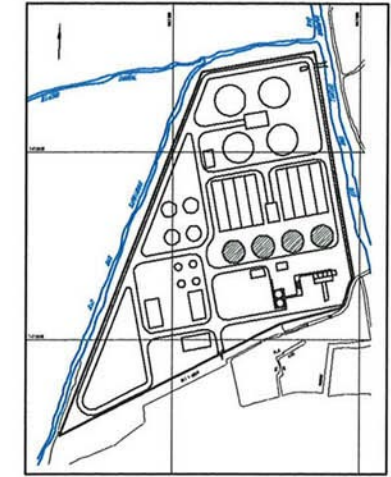


KEY PLAN

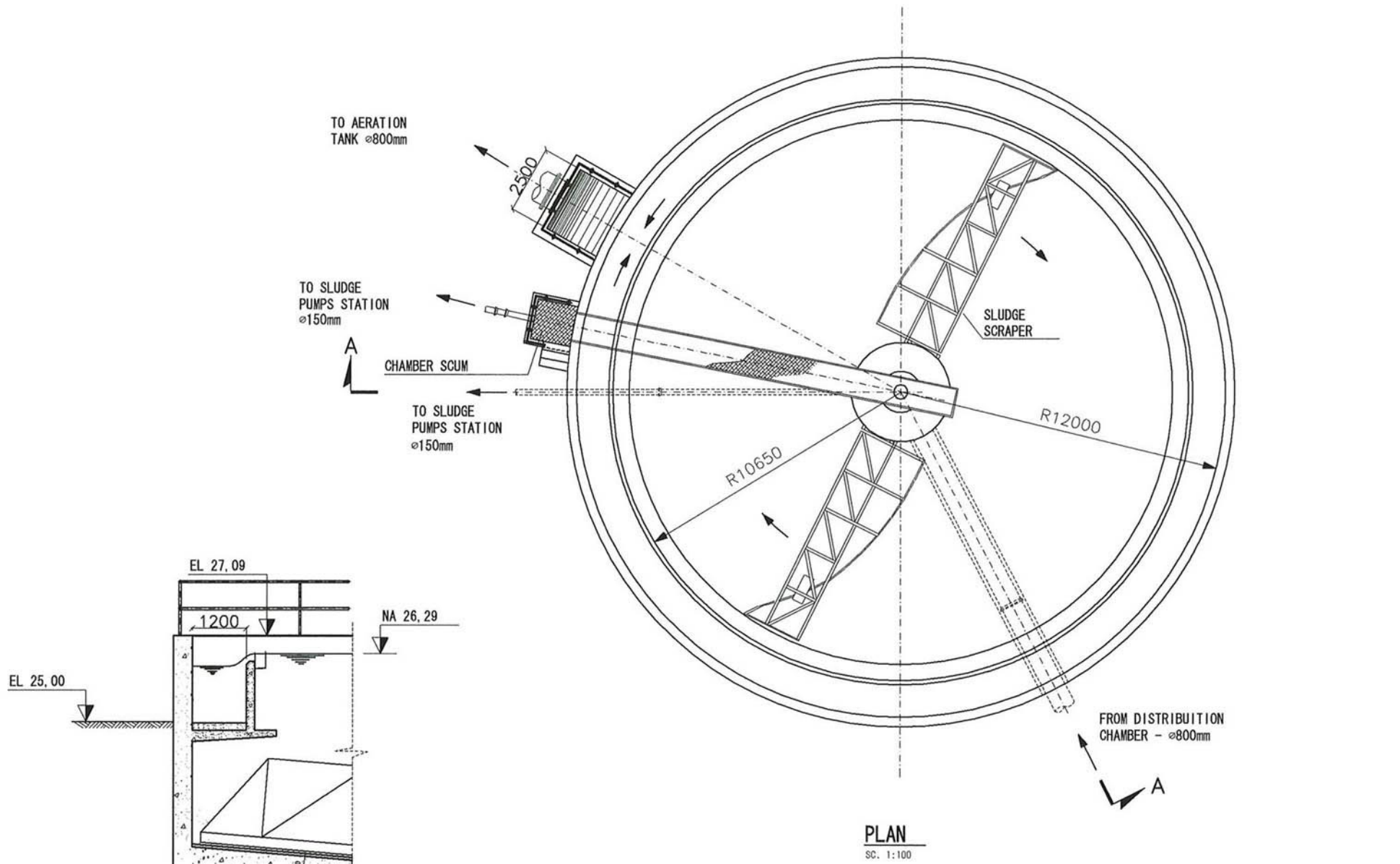


NOTE:
1 - ELEVATION & DIMENSION IN METER.

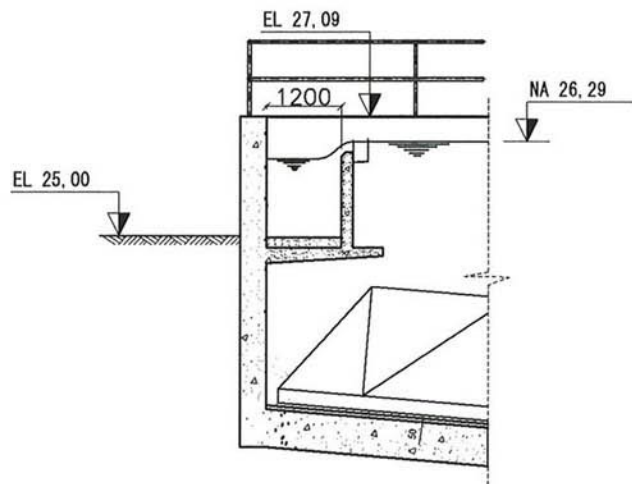
DRAW. 5.6	THE STUDY ON MANAGEMENT AND IMPROVEMENT OF THE ENVIRONMENTAL CONDITIONS OF GUANABARA BAY IN RIO DE JANEIRO	TITLE
	BANGU - WWTP HYDRAULIC PROFILE	
JAPAN INTERNATIONAL COOPERATION AGENCY (JICA)		



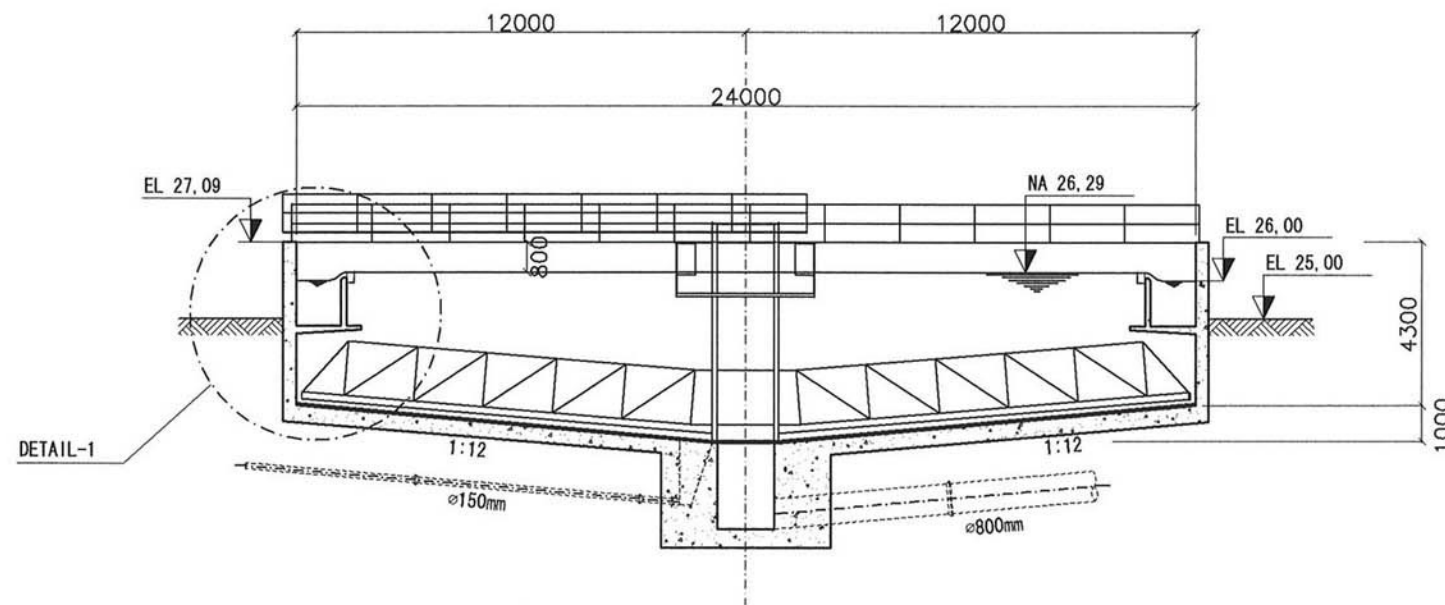
KEY PLAN



PLAN
SC. 1:100



DETAIL - 1
SC. 1:50

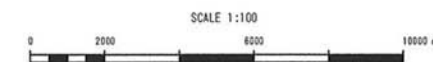
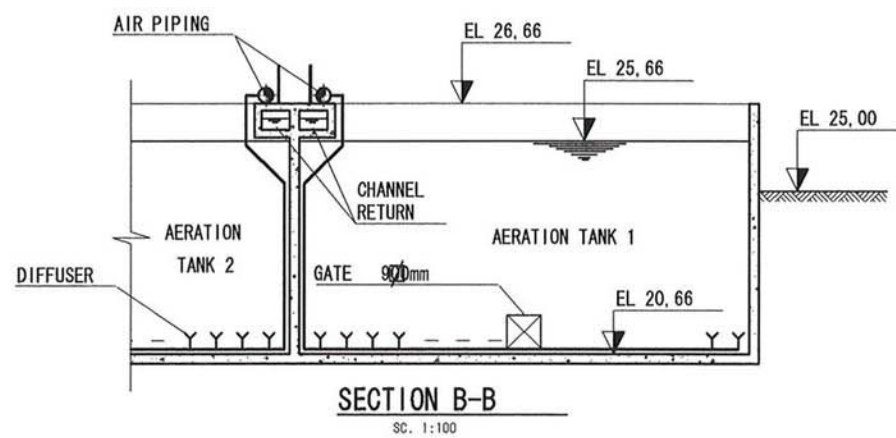
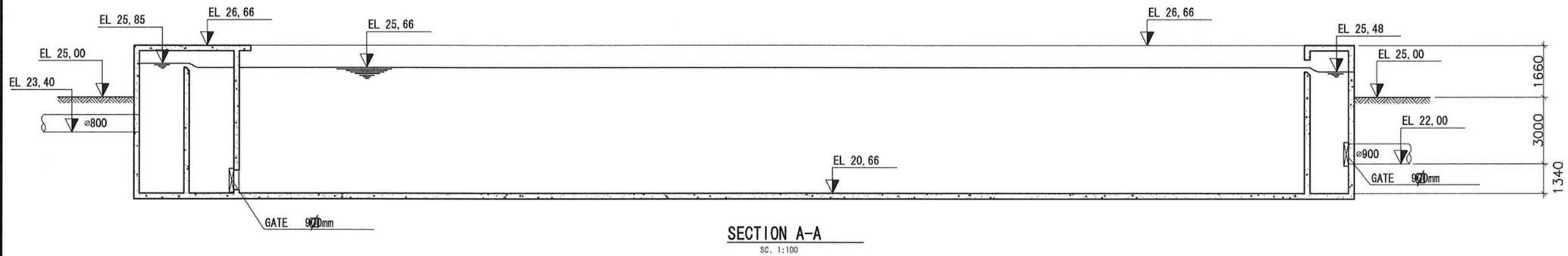
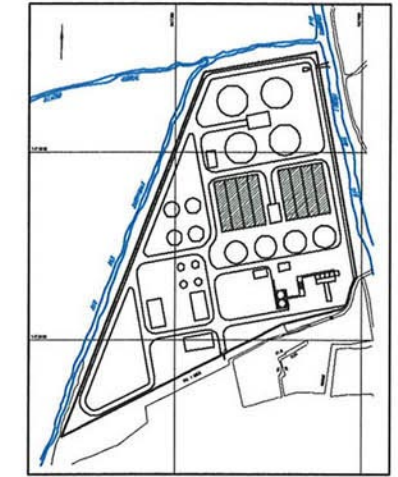
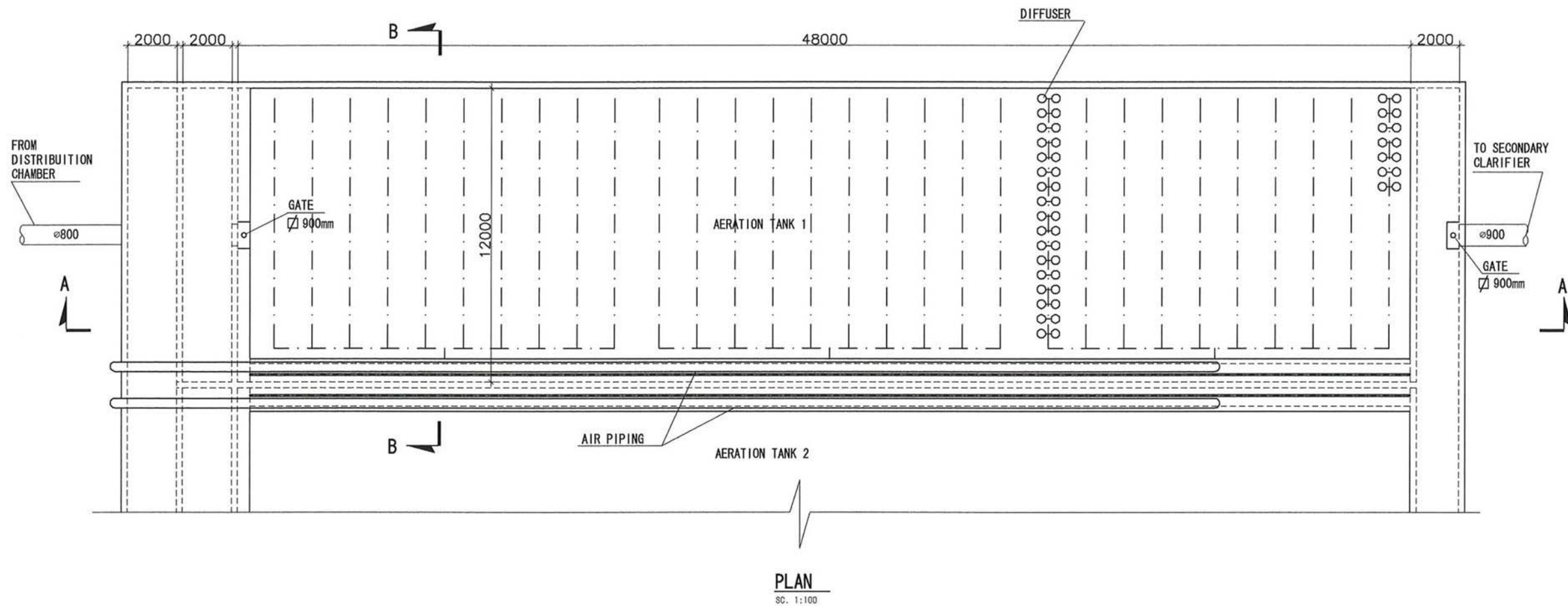


SECTION A-A
SC. 1:100



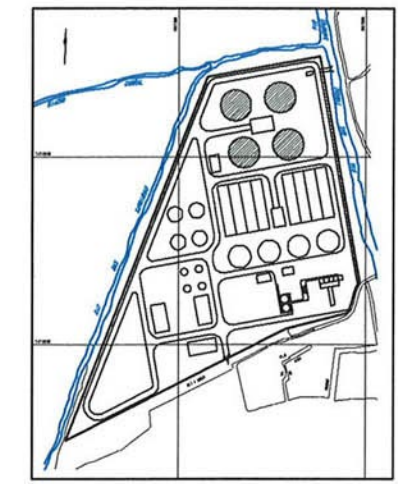
NOTE:
1- DIMENSION IN MILLIMETER AND ELEVATION IN METER

DRAW. 5.7	THE STUDY ON MANAGEMENT AND IMPROVEMENT OF THE ENVIRONMENTAL CONDITIONS OF GUANABARA BAY IN RIO DE JANEIRO	TITLE
	BANGU - WWTP PRIMARY CLARIFIER	
JAPAN INTERNATIONAL COOPERATION AGENCY (JICA)		

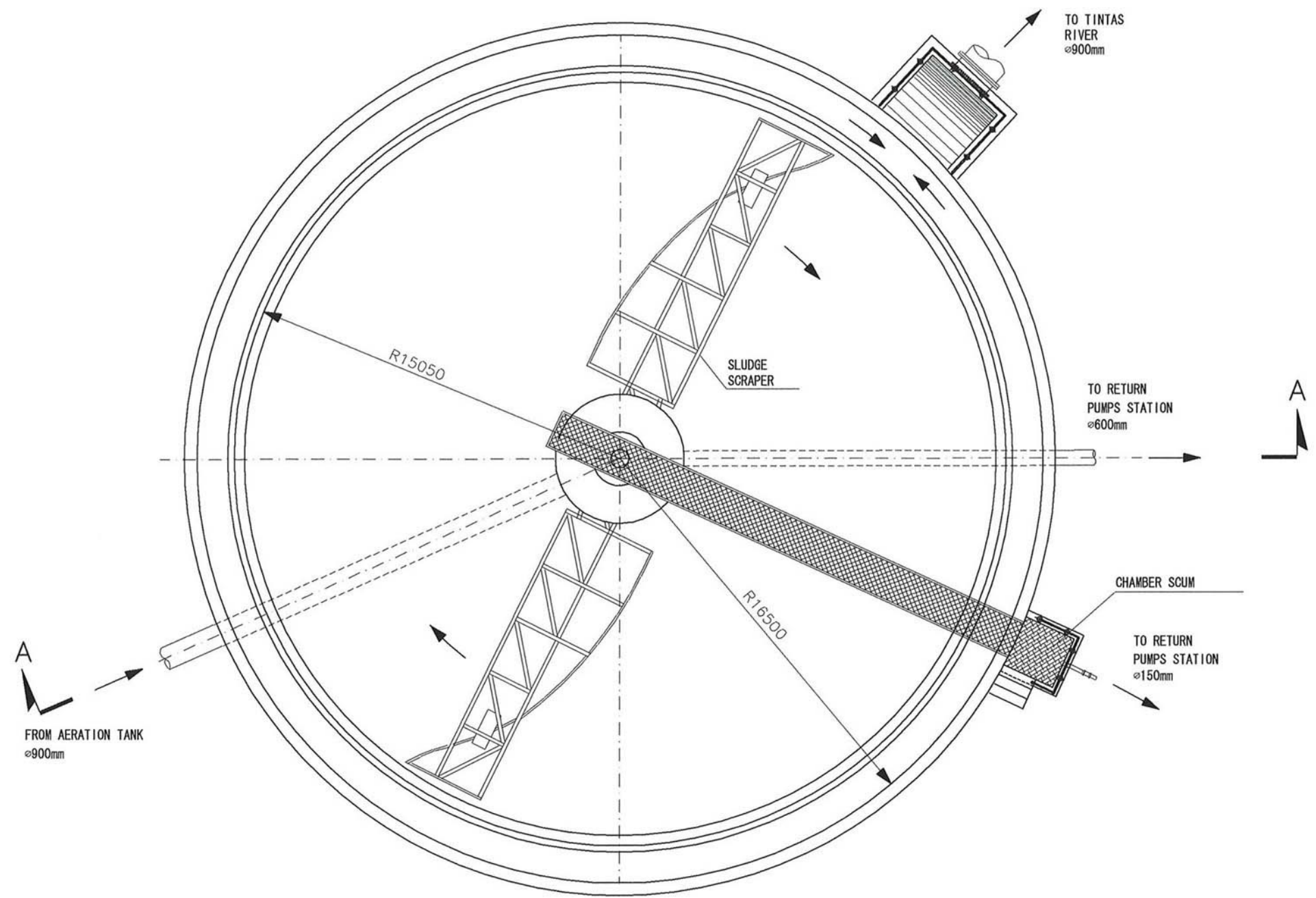


NOTE:
1- DIMENSION IN MILLIMETER AND ELEVATION IN METER

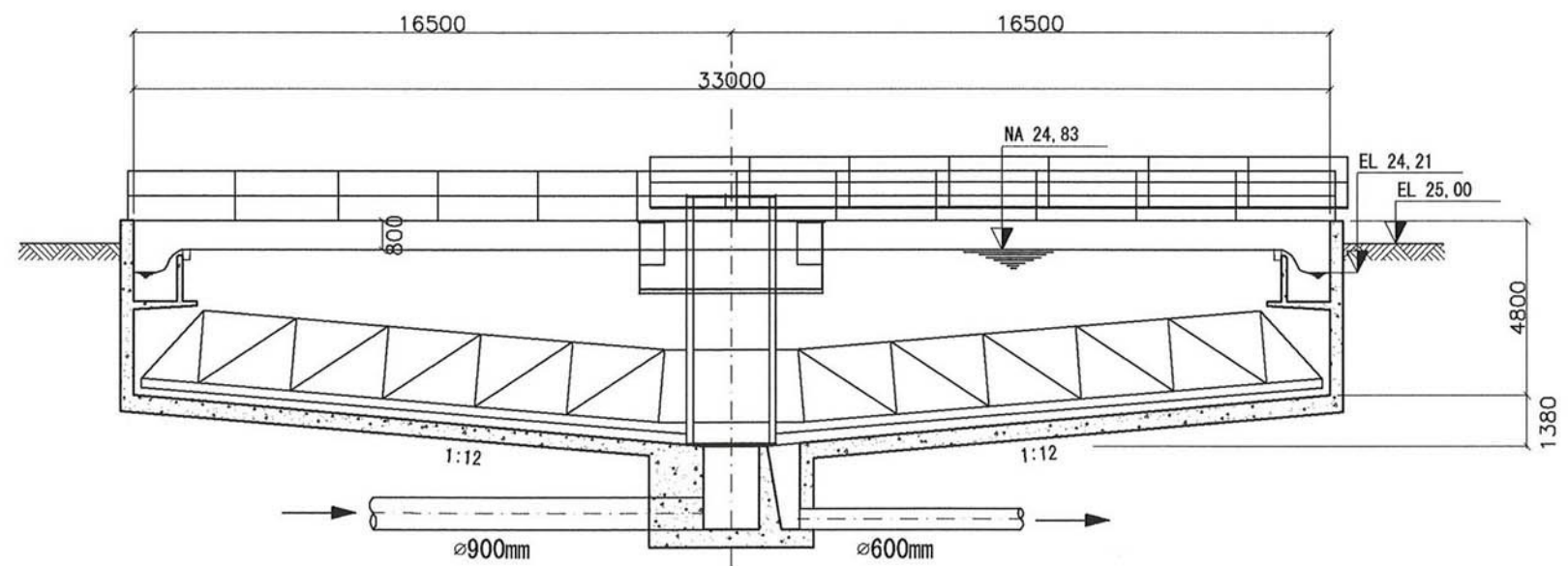
DRAW. 5.8	THE STUDY ON MANAGEMENT AND IMPROVEMENT OF THE ENVIRONMENTAL CONDITIONS OF GUANABARA BAY IN RIO DE JANEIRO	TITLE
	JAPAN INTERNATIONAL COOPERATION AGENCY (JICA)	BANGU - WWTP AERATION TANK



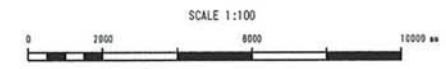
KEY PLAN



PLAN
ESC. 1:100



SECTION A-A
ESC. 1:100



NOTE:
1- DIMENSION IN MILLIMETER AND ELEVATION IN METER

DRAW. 5.9	THE STUDY ON MANAGEMENT AND IMPROVEMENT OF THE ENVIRONMENTAL CONDITIONS OF GUANABARA BAY IN RIO DE JANEIRO	TITLE
	BANGU - WWTP SECONDARY CLARIFIER	
JAPAN INTERNATIONAL COOPERATION AGENCY (JICA)		