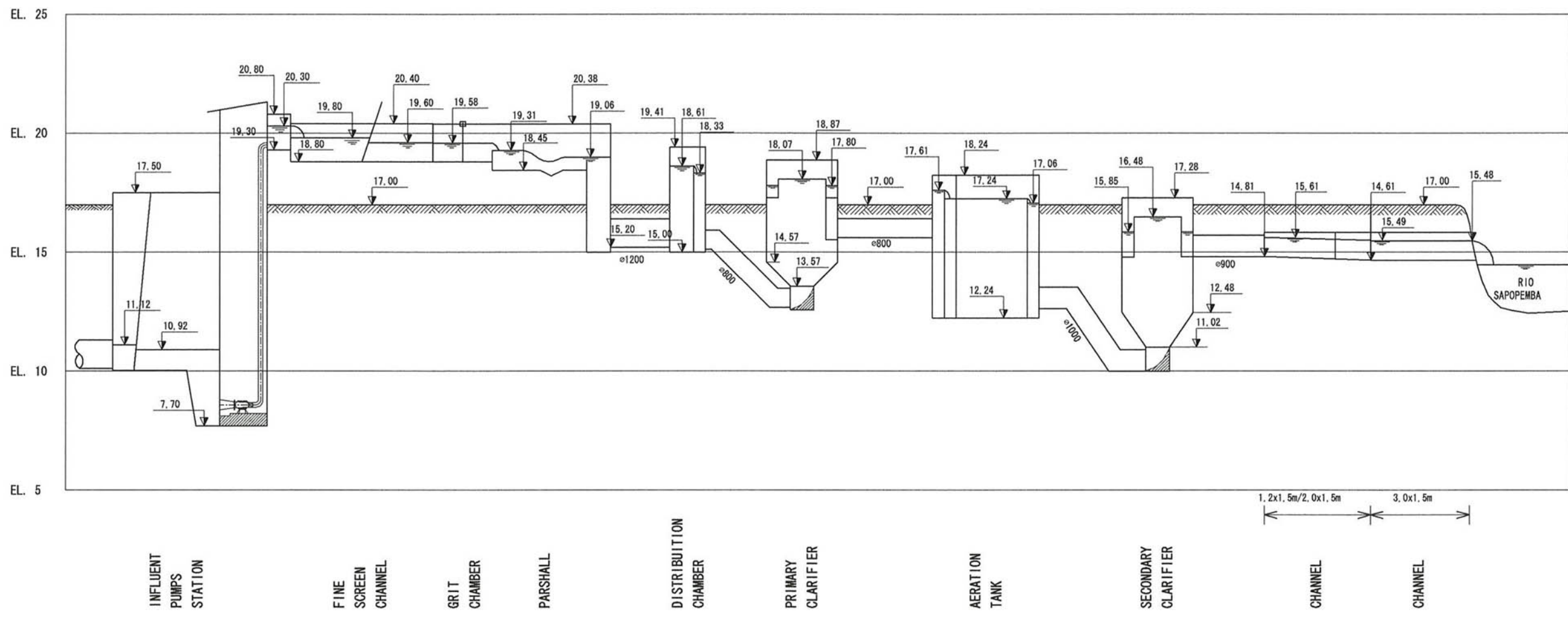
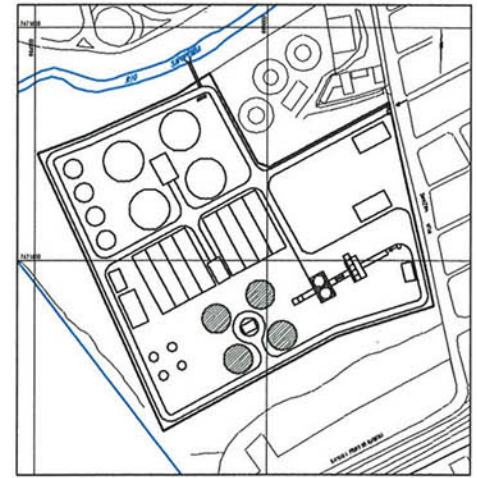


KEY PLAN

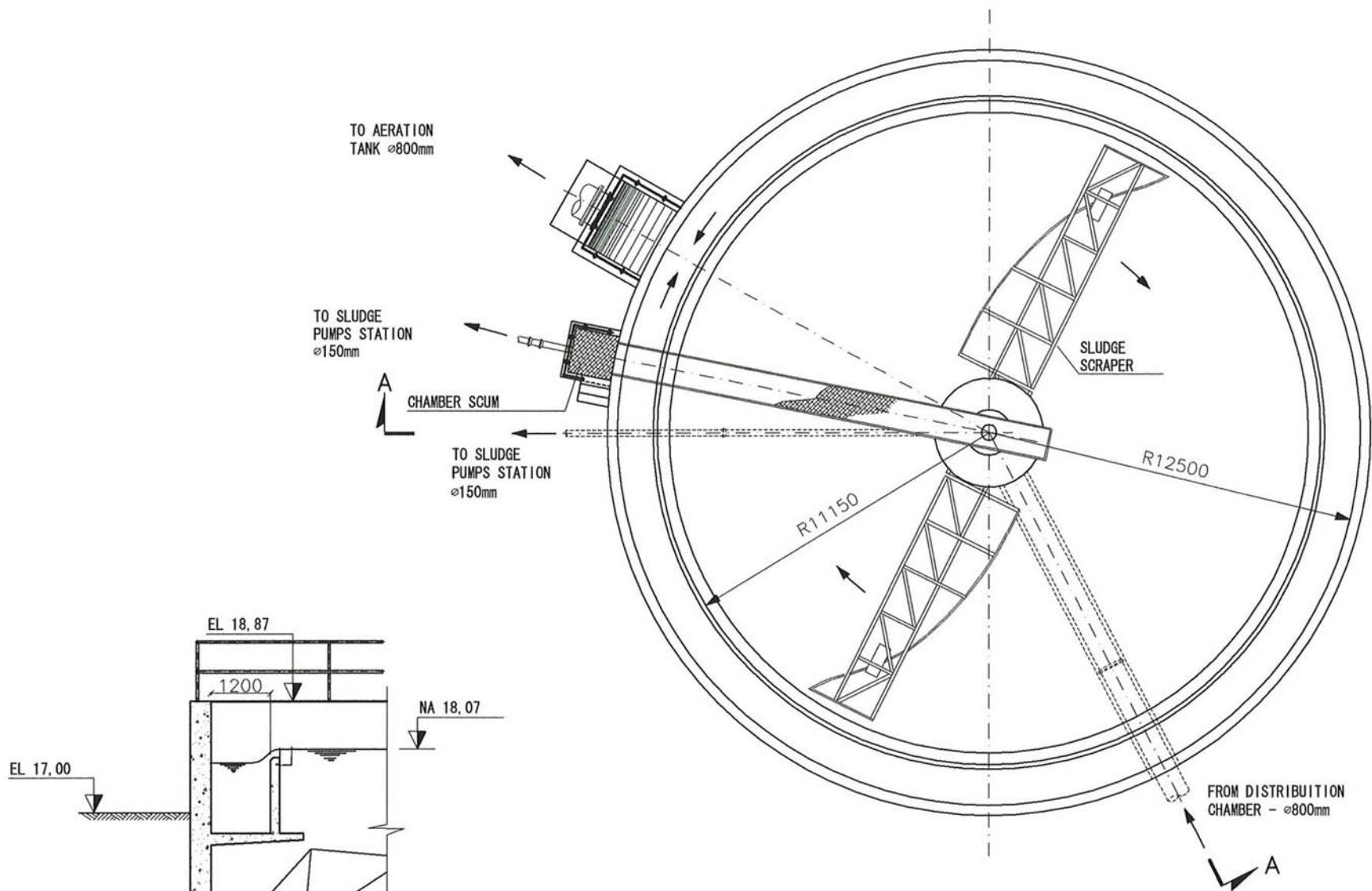


NOTE:
1 - ELEVATION & DIMENSION IN METER.

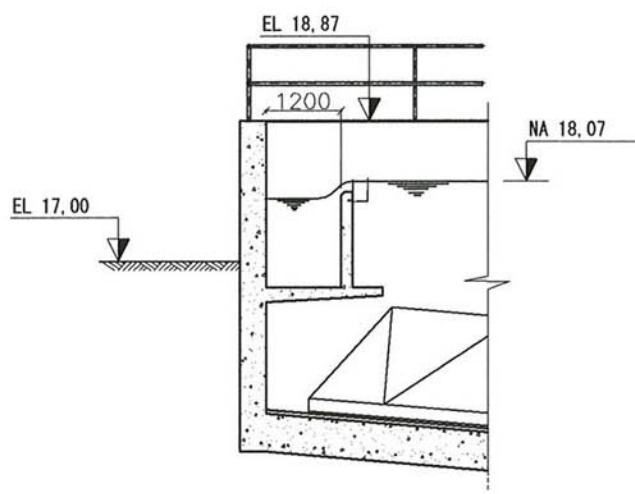
DRAW. 3.8	THE STUDY ON MANAGEMENT AND IMPROVEMENT OF THE ENVIRONMENTAL CONDITIONS OF GUANABARA BAY IN RIO DE JANEIRO	TITLE
	JAPAN INTERNATIONAL COOPERATION AGENCY (JICA)	ACARI - WWTP HYDRAULIC PROFILE



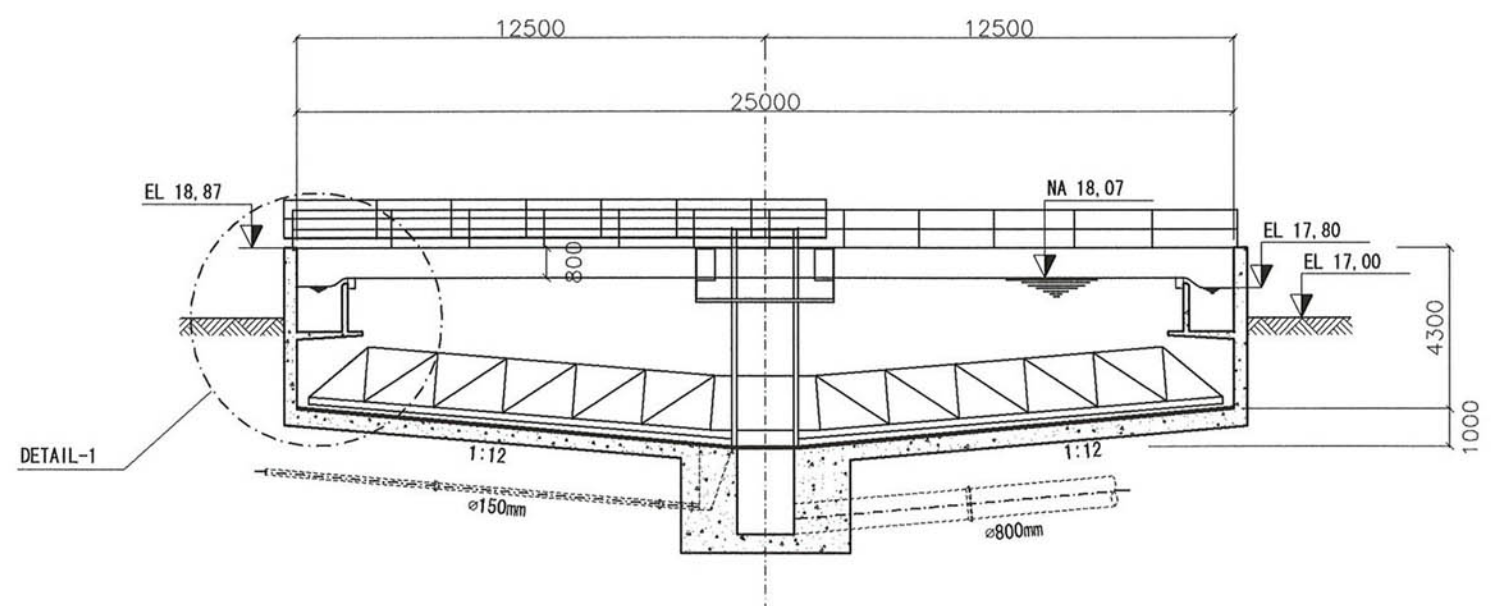
KEY PLAN



PLAN
SCALE: 1:100



DETAIL - 1
SC. 1:50

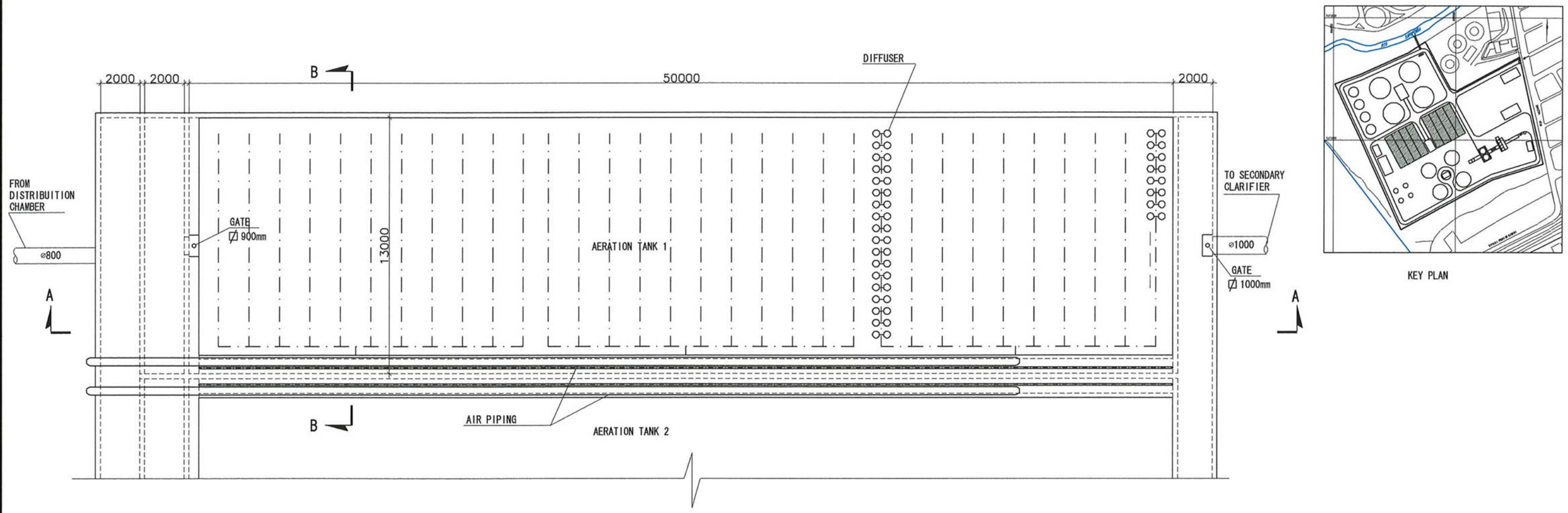


SECTION A-A
SCALE: 1:100

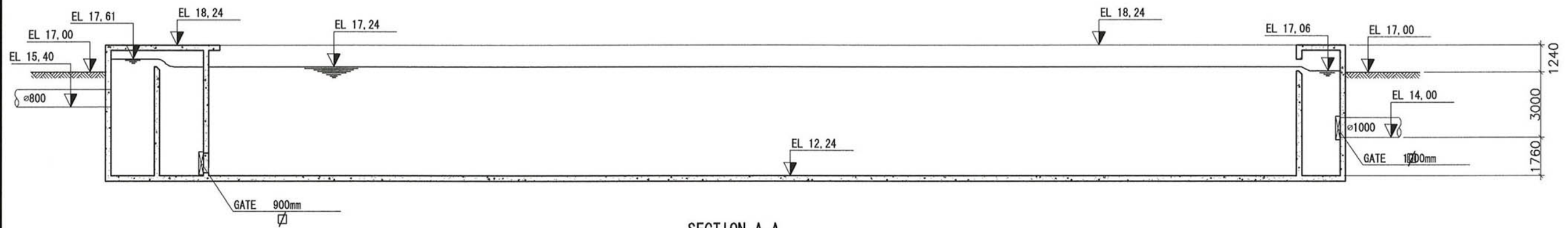


NOTE:
1- DIMENSION IN MILLIMETER AND ELEVATION IN METER

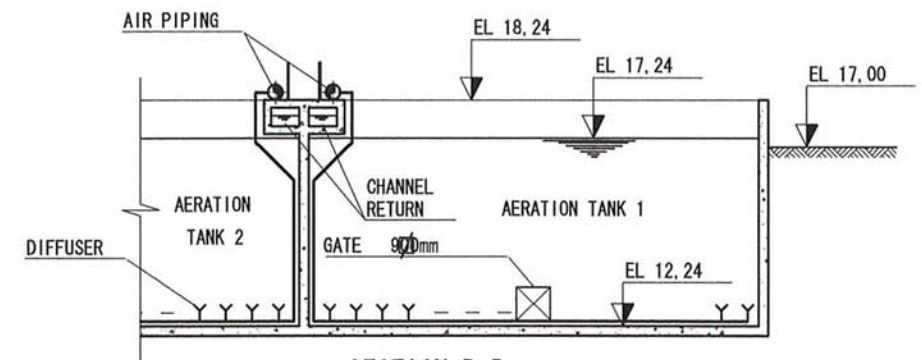
DRAW. 3.9	THE STUDY ON MANAGEMENT AND IMPROVEMENT OF THE ENVIRONMENTAL CONDITIONS OF GUANABARA BAY IN RIO DE JANEIRO	TITLE
	JAPAN INTERNATIONAL COOPERATION AGENCY (JICA)	ACARI - WWTP PRIMARY CLARIFIER



PLAN
SC. 1:100



SECTION A-A
SC. 1:100



SECTION B-B
SC. 1:100



NOTE:
1- DIMENSION IN MILLIMETER AND ELEVATION IN METER

DRAW. 3.10	THE STUDY ON MANAGEMENT AND IMPROVEMENT OF THE ENVIRONMENTAL CONDITIONS OF GUANABARA BAY IN RIO DE JANEIRO	TITLE
	JAPAN INTERNATIONAL COOPERATION AGENCY (JICA)	ACARI - WWTP AERATION TANK