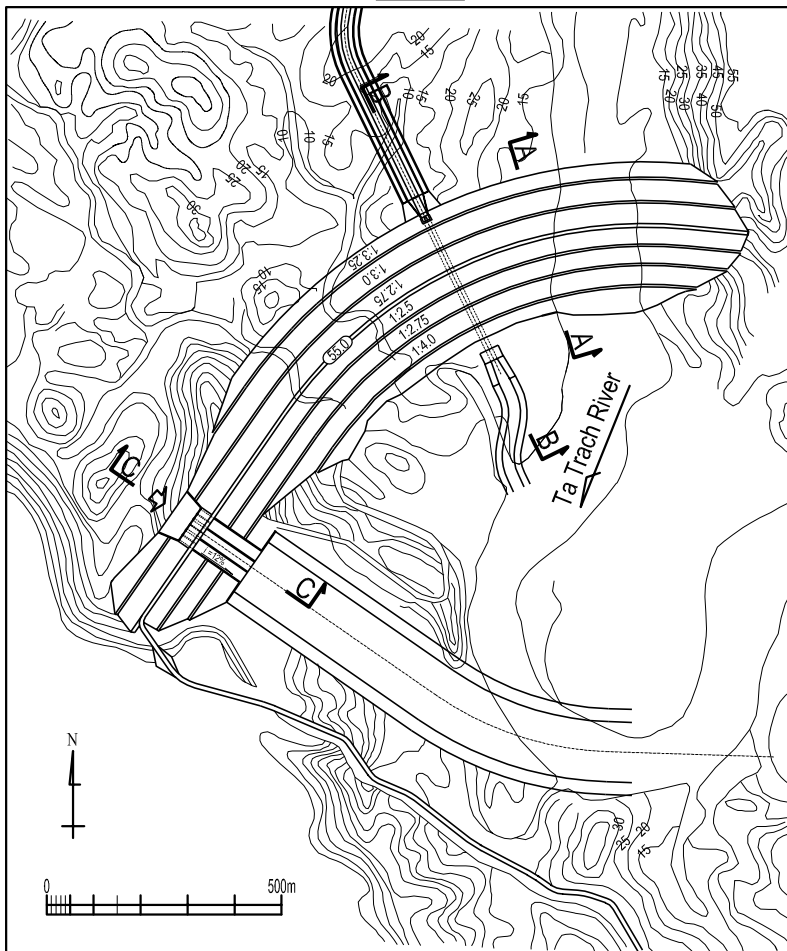
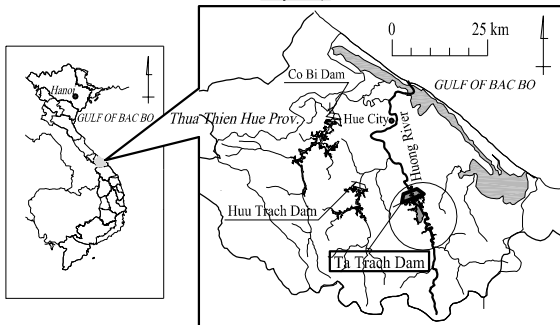


<p>The Study on Nationwide Water Resources Development and Management in the Socialist Republic of Vietnam JAPAN INTERNATIONAL COOPERATION AGENCY</p>	<p>Hình 8.16 Mạng lưới chính (giản đồ) của Hệ thống tưới sông Hương</p>
---	---

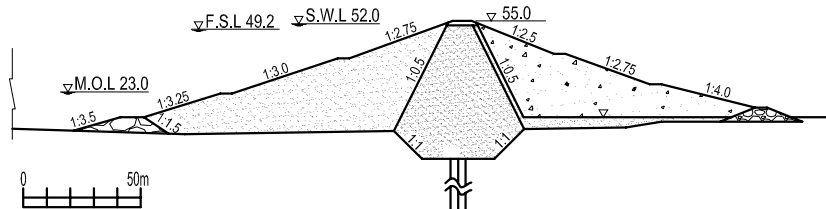
Plan



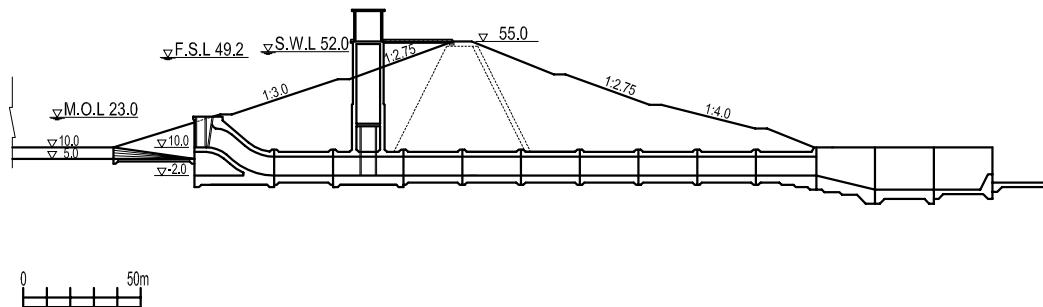
Key Map



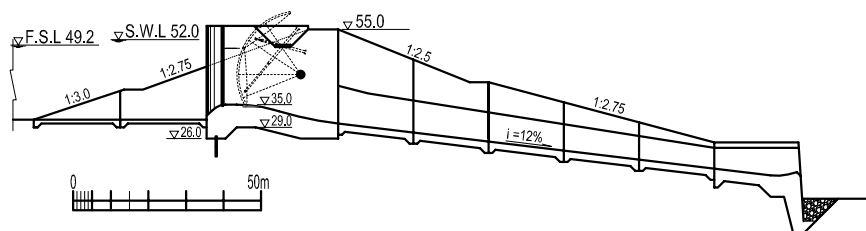
Section A - A



Section B - B



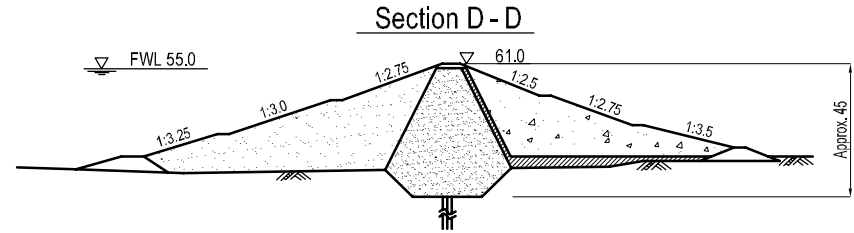
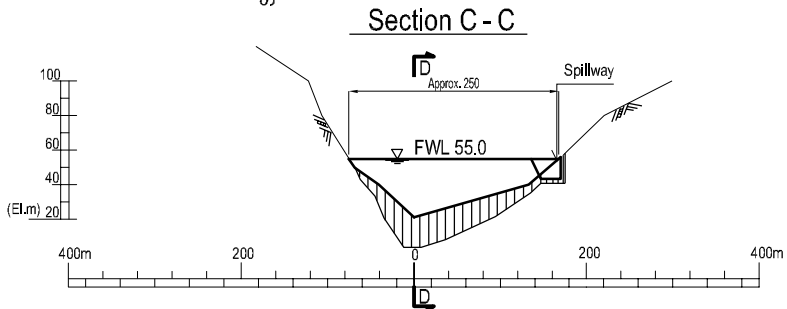
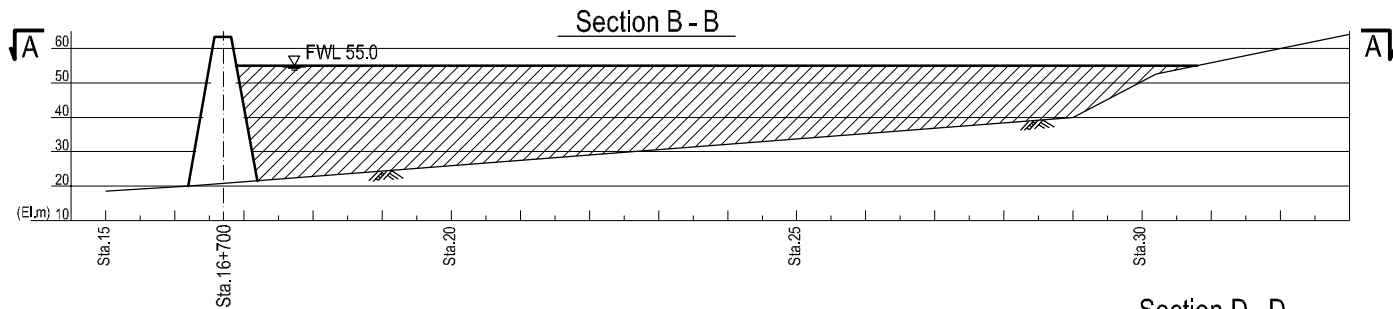
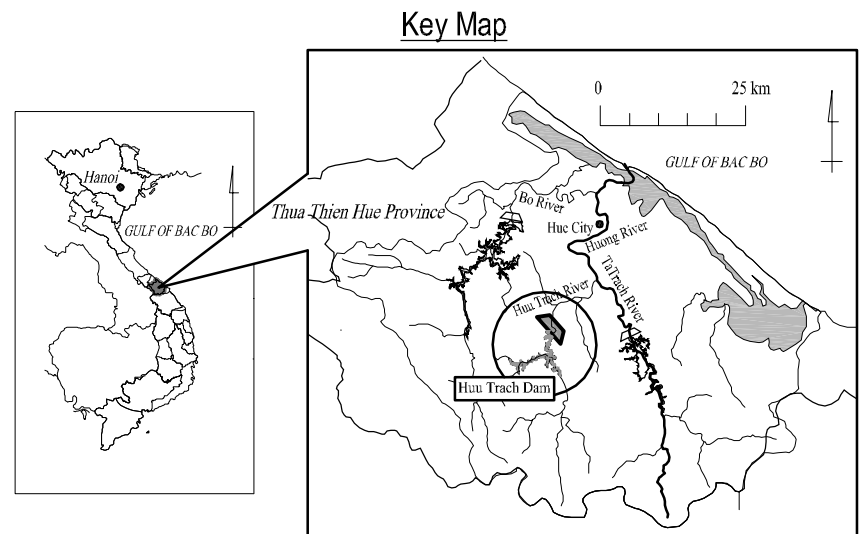
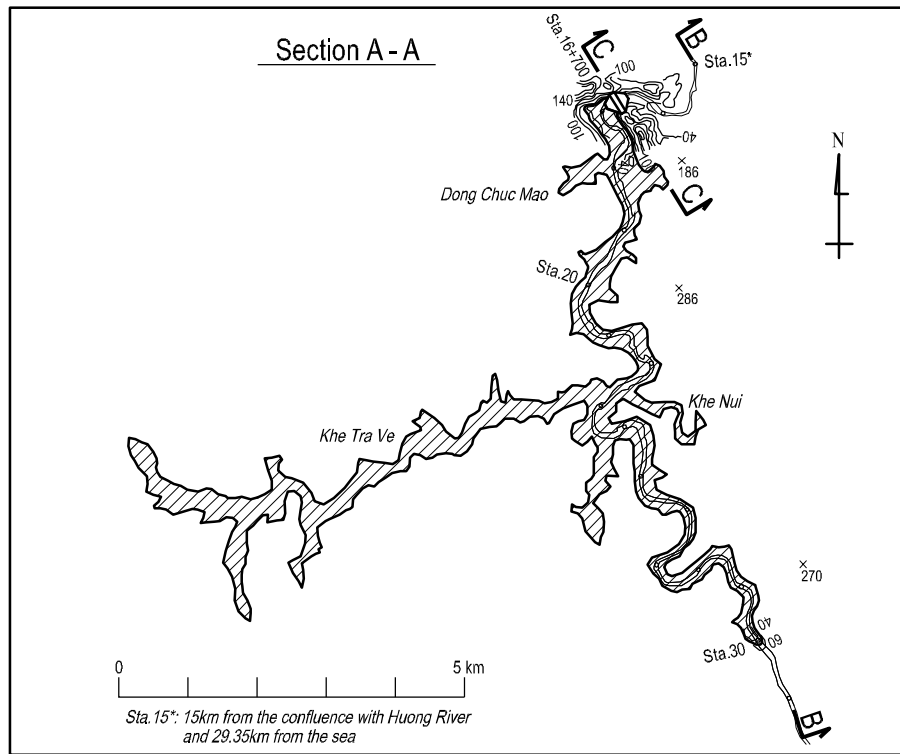
Section C - C



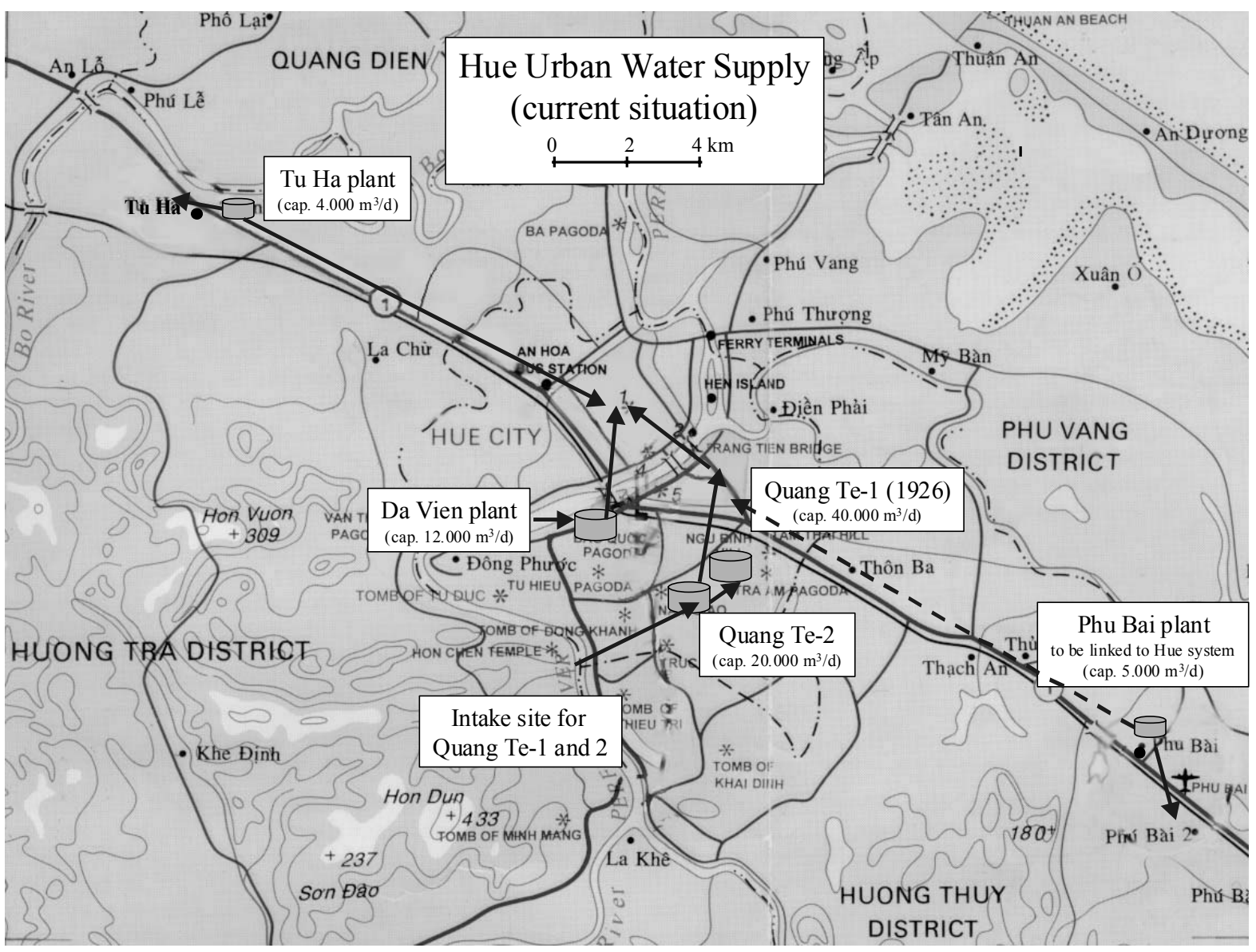
Note: The design prepared by HEC-1 is provisionally presented in this Figure

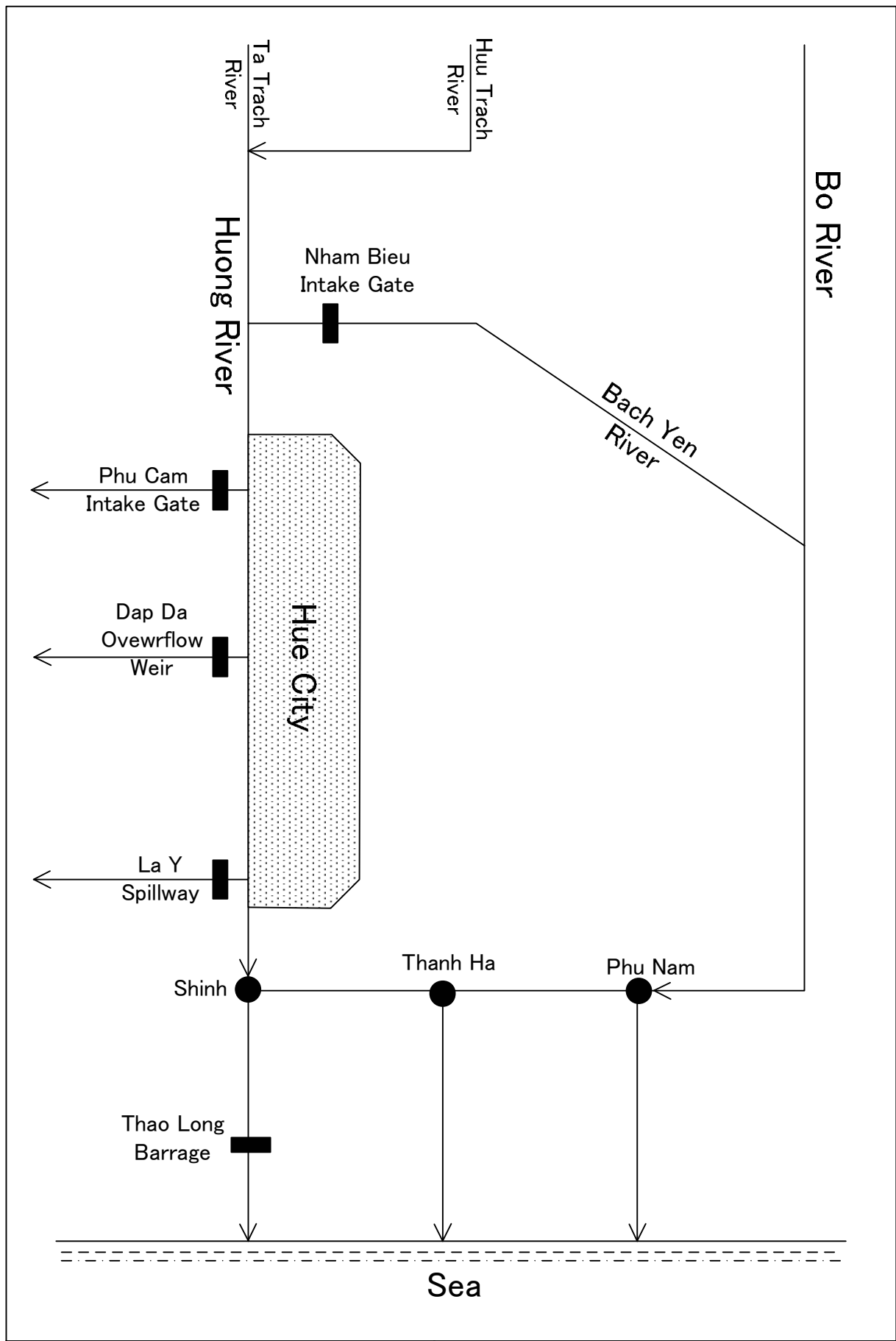
The Study on Nationwide Water Resources
Development and Management
in the Socialist Republic of Vietnam
JAPAN INTERNATIONAL COOPERATION AGENCY

Hình 9.1
Hồ chứa nước đa mục đích Tô Trạch



<p>The Study on Nationwide Water Resources Development and Management in the Socialist Republic of Vietnam</p> <p>JAPAN INTERNATIONAL COOPERATION AGENCY</p>	<p>Hình 9.2 Hồ chứa nước đa mục đích Hữu Trạch</p>
--	--





Hình 9.4
 Vị trí các công trình phòng chống lũ và/hoặc tưới ở hạ lưu

Hình 10.1 Tiến độ thực hiện chung dự án hồ chứa nước Tả Trách (đập đắp đất)

Description	Year												
	2002	2003	2004	2005	2006	2007	2008	2009	2010	2011	2012	2013	
1. Study on Nationwide Water Resources Development and Management by JICA	████████████████████												
2. Special Assistance for Project Formulation by JBIC	████												
3. Financial Arrangement		████████████████████											
4. Approval of Project and Arrangement by GOV		████████████████████											
5. Procurement of Consultant			████										
6. Engineering Services (Basic Design, Detailed Design and Supervision)			████████████████████										
7. Pre-qualification Tendering				████									
8. International Competitive Bidding					████								
9. Land Acquisition and Resettlement	████████████████████												
10. Ta Trach Reservoir Project (Earthfill Dam)						████████████████████							

Hình 10.2 Tiến độ thực hiện chung theo khu vực

Description	Year																			
	2002	2003	2004	2005	2006	2007	2008	2009	2010	2011	2012	2013	2014	2015	2016	2017	2018	2019	2020	
1-A.Ta Trach Reservoir Project																				
- Preparatory Works						—				—		—								
- Main Dam						—	—	—	—	—	—	—								
- Spillway						—	—	—	—	—	—	—								
- Outlet Works						—	—	—	—	—	—	—								
- Saddle Dams						—				—	—	—								
- Hydropower												—								
- Land Acquisition and Resettlement	
- Engineering Services by Consultants			
1-B.Huu Trach Reservoir Project																				
- Preparatory Works												—	—		—	—	—	—		
- Main Dam													—	—	—	—	—	—		
- Spillway													—	—	—	—	—	—		
- Outlet Works													—	—	—	—	—	—		
- Land Acquisition and Resettlement								
- Engineering Services by Consultants								
2. Irrigation and Drainage Facilities																				
- Preparatory Works						—														
- Improvement of Main Canal / Drain Network						—	—	—	—	—	—	—	—	—	—	—	—	—		
- Construction and Rehabilitation of Main Inlet and Outlet						—	—	—	—	—	—	—	—	—	—	—	—	—		
- Rehabilitation of Pumping Stations						—	—	—	—	—	—	—	—	—	—	—	—	—		
- Embankment of Dikes						—	—	—	—	—	—	—	—	—	—	—	—	—		
- Improvement of Secondary System						—	—	—	—	—	—	—	—	—	—	—	—	—		
- Improvement of Tertiary System / On-farm Works						—	—	—	—	—	—	—	—	—	—	—	—	—		
- Engineering Services by Consultants			
3. Domestic and Industrial Water Supply																				
- Preparatory Works						—														
- Phase 2 of Quang Te 2 Treatment Plant						—	—	—	—	—	—	—	—	—	—	—	—	—		
- Additional Pipeline				—	—	—	—	—	—	—	—	—	—	—	—	—	—	—		
- 45,000 house connection				—	—	—	—	—	—	—	—	—	—	—	—	—	—	—		
- Booster Station and Ancillaries								—	—	—	—	—	—	—	—	—	—	—		
- Small Projects											—	—	—	—	—	—	—	—		
- Engineering Services by Consultants			