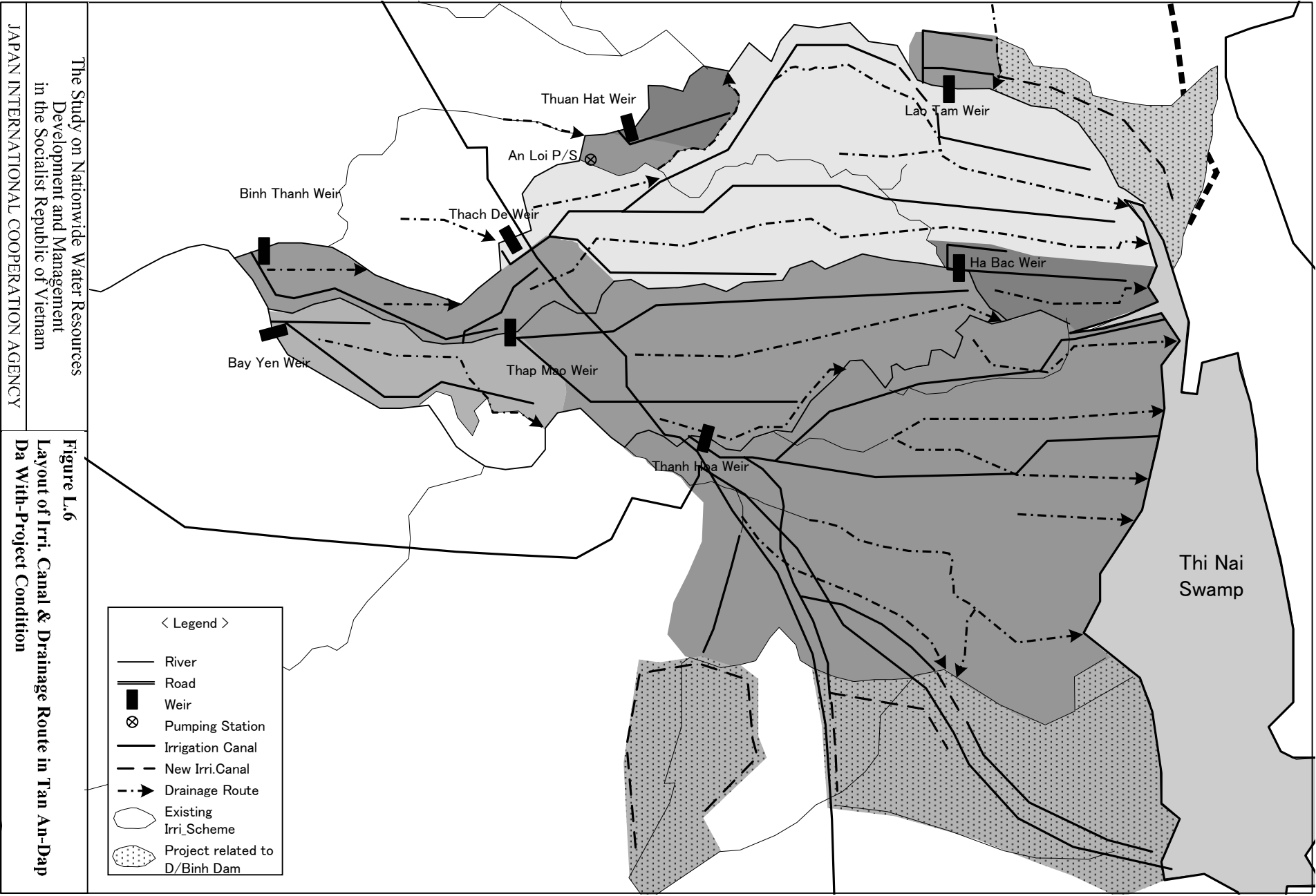


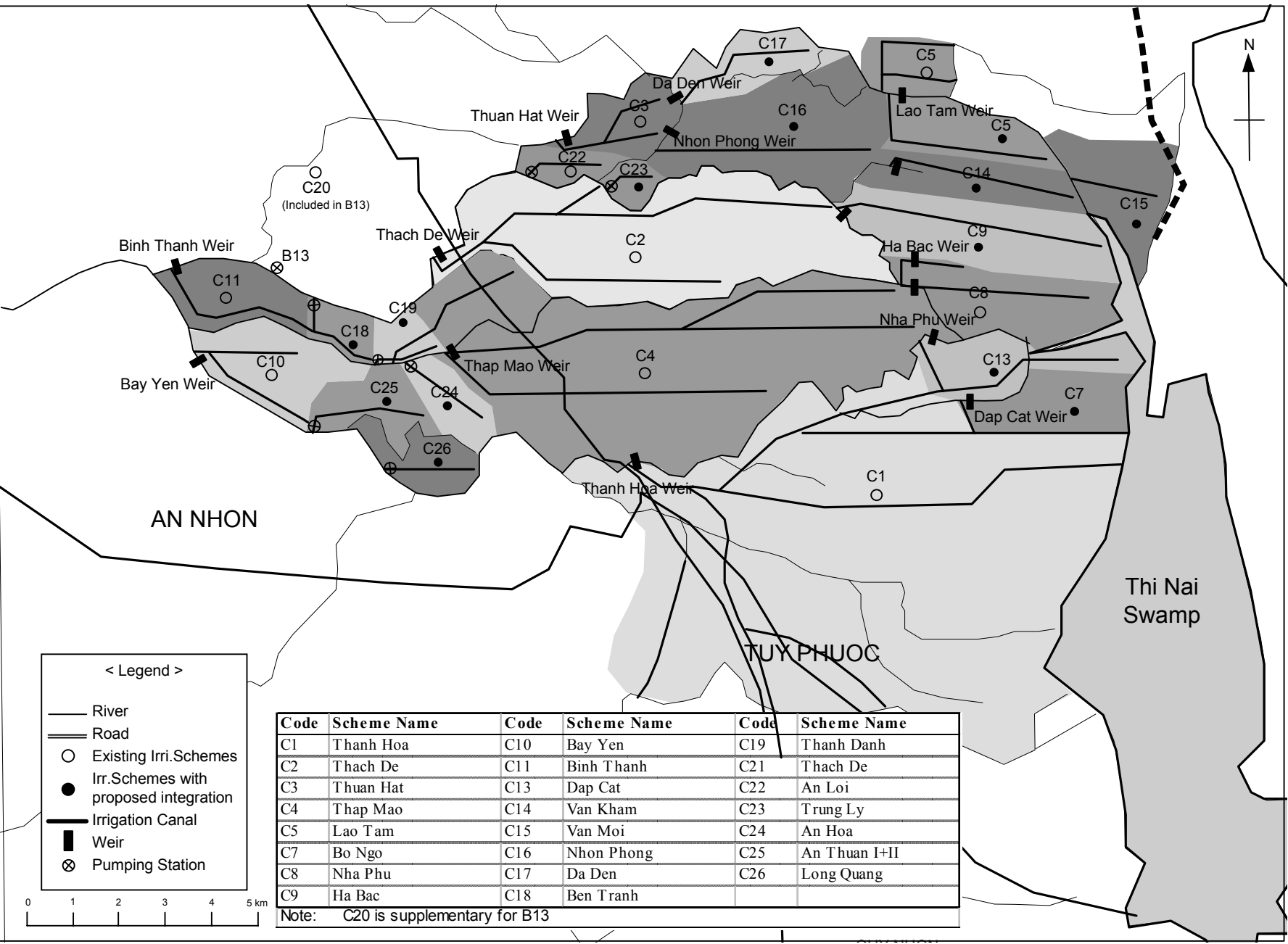
Figure L.5
General Layout of Irrigation Schemes

The Study on Nationwide Water Resources Development and Management in the Socialist Republic of Vietnam
JAPAN INTERNATIONAL COOPERATION AGENCY



The Study on Nationwide Water Resources Development and Management in the Socialist Republic of Vietnam
 JAPAN INTERNATIONAL COOPERATION AGENCY

Figure L.6
 Layout of Irrig. Canal & Drainage Route in Tan An-Dap
 Da With-Project Condition



< Legend >

- River
- == Road
- Existing Irri.Schemes
- Irr.Schemes with proposed integration
- Irrigation Canal
- Weir
- ⊗ Pumping Station

| Code | Scheme Name | Code | Scheme Name | Code | Scheme Name |
|------|-------------|------|-------------|------|---------------|
| C1 | Thanh Hoa | C10 | Bay Yen | C19 | Thanh Danh |
| C2 | Thach De | C11 | Binh Thanh | C21 | Thach De |
| C3 | Thuan Hat | C13 | Dap Cat | C22 | An Loi |
| C4 | Thap Mao | C14 | Van Kham | C23 | Trung Ly |
| C5 | Lao Tam | C15 | Van Moi | C24 | An Hoa |
| C7 | Bo Ngo | C16 | Nhon Phong | C25 | An Thuan I+II |
| C8 | Nha Phu | C17 | Da Den | C26 | Long Quang |
| C9 | Ha Bac | C18 | Ben Tranh | | |

Note: C20 is supplementary for B13

Figure L.8 Construction Time Schedule for Van Phong Weir and Irrigation and Drainage System

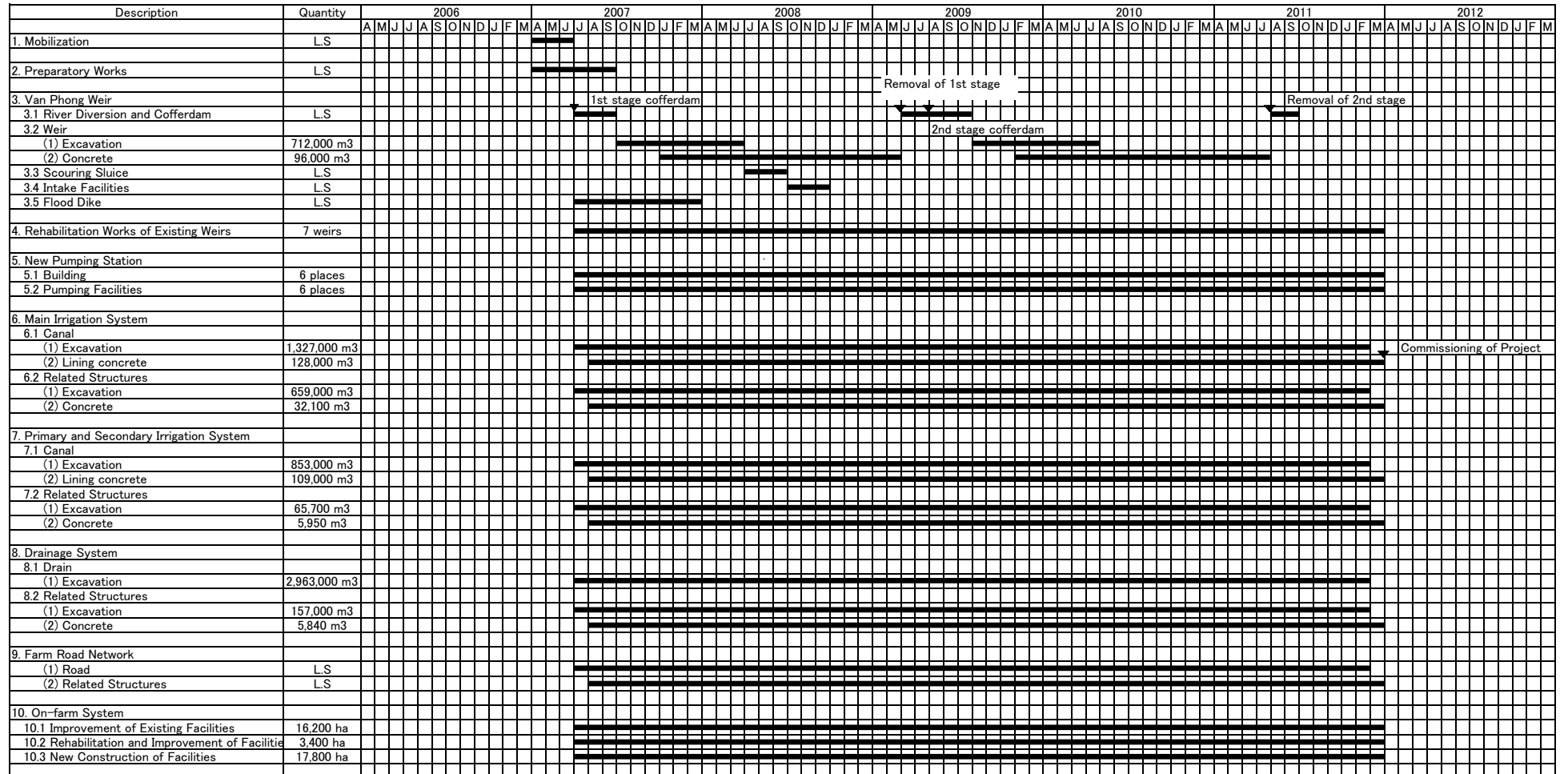
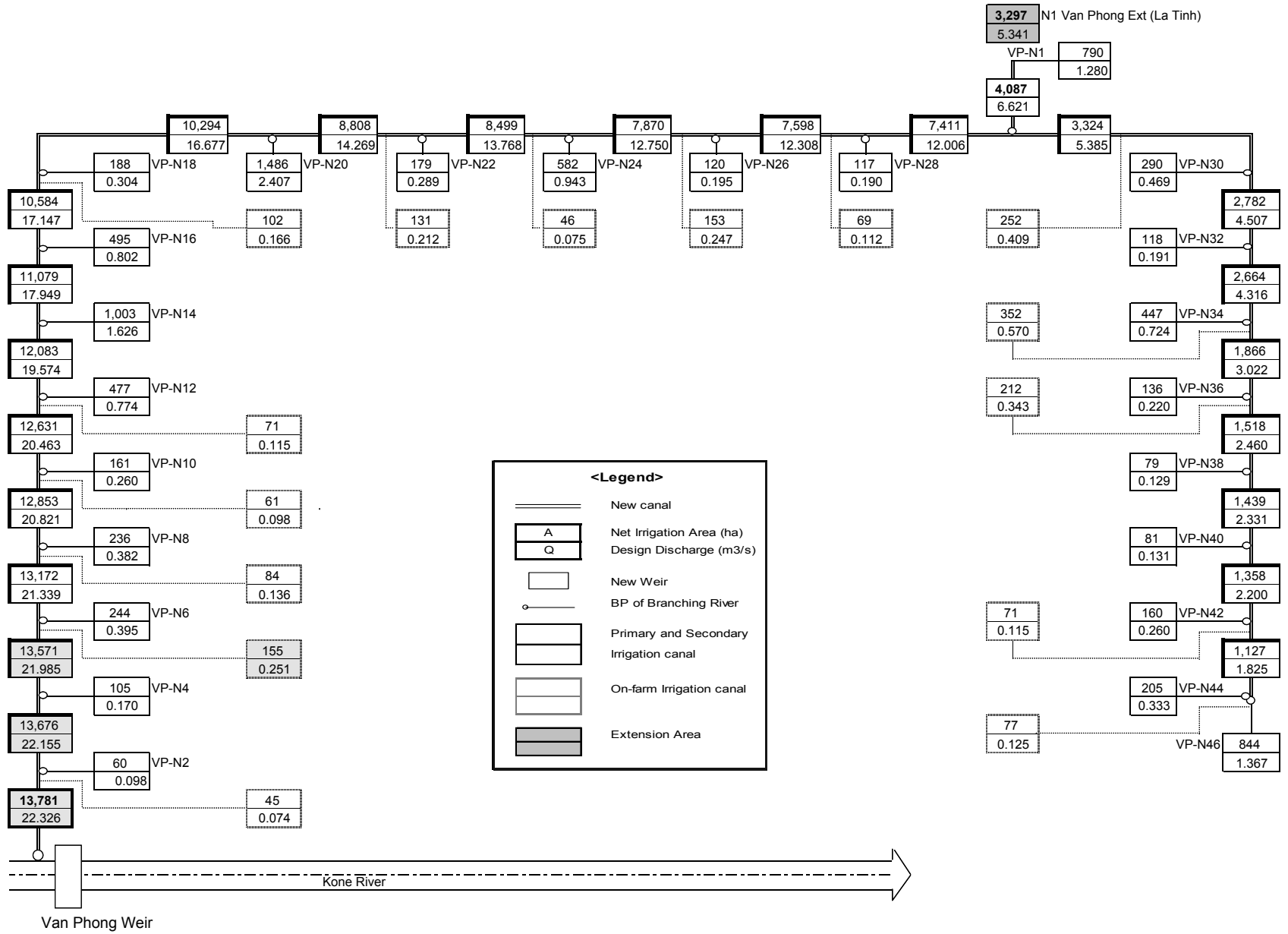
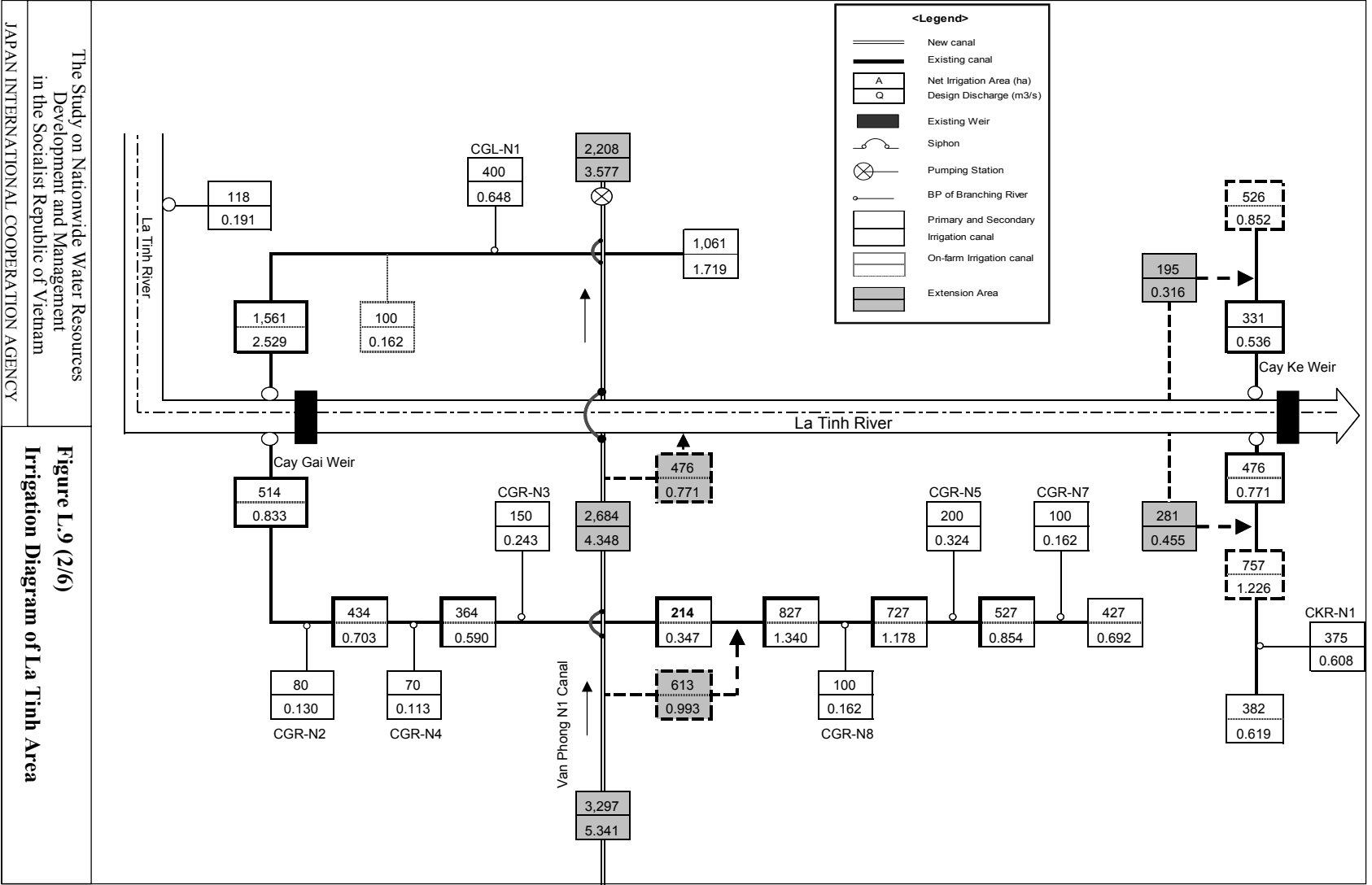
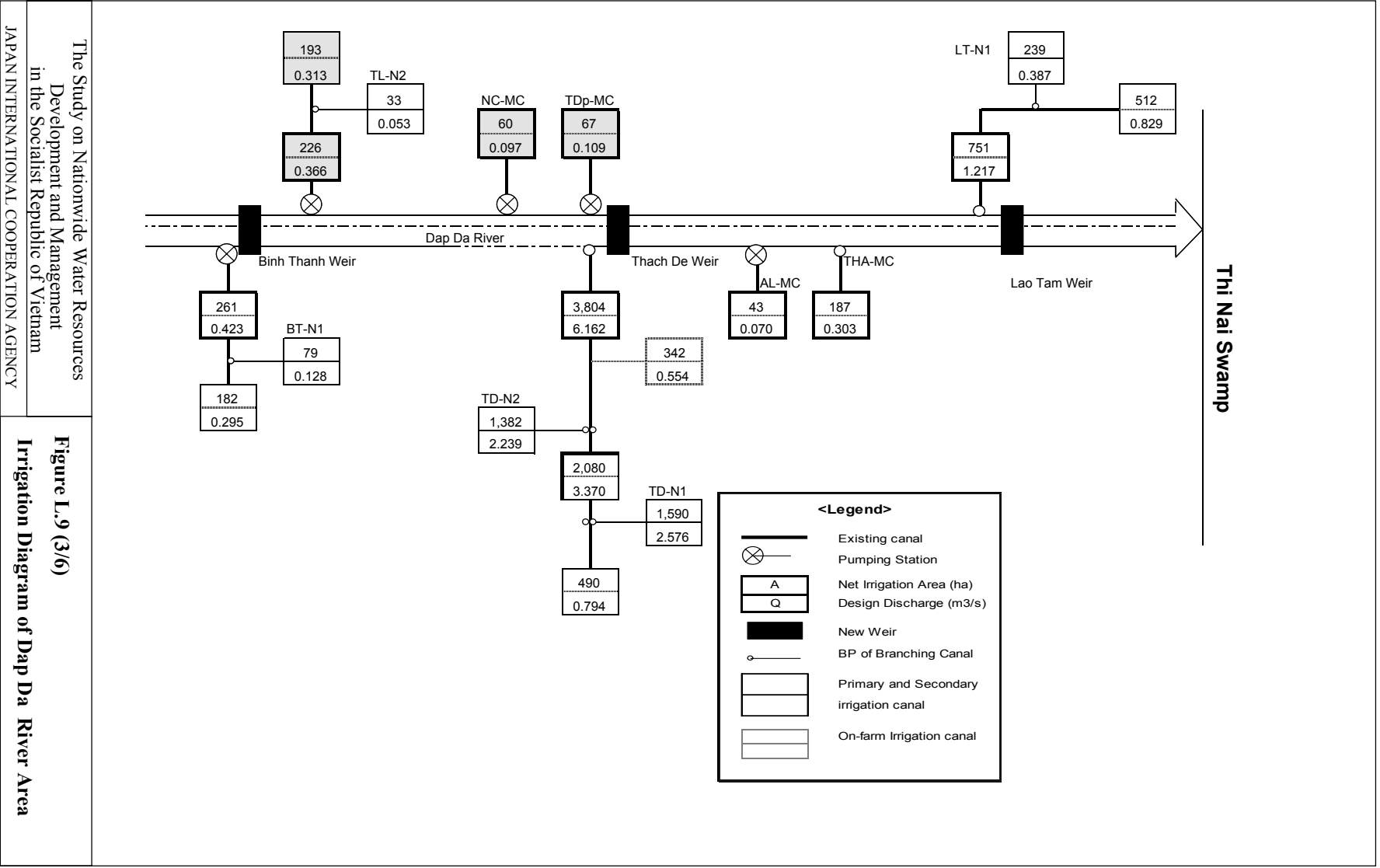
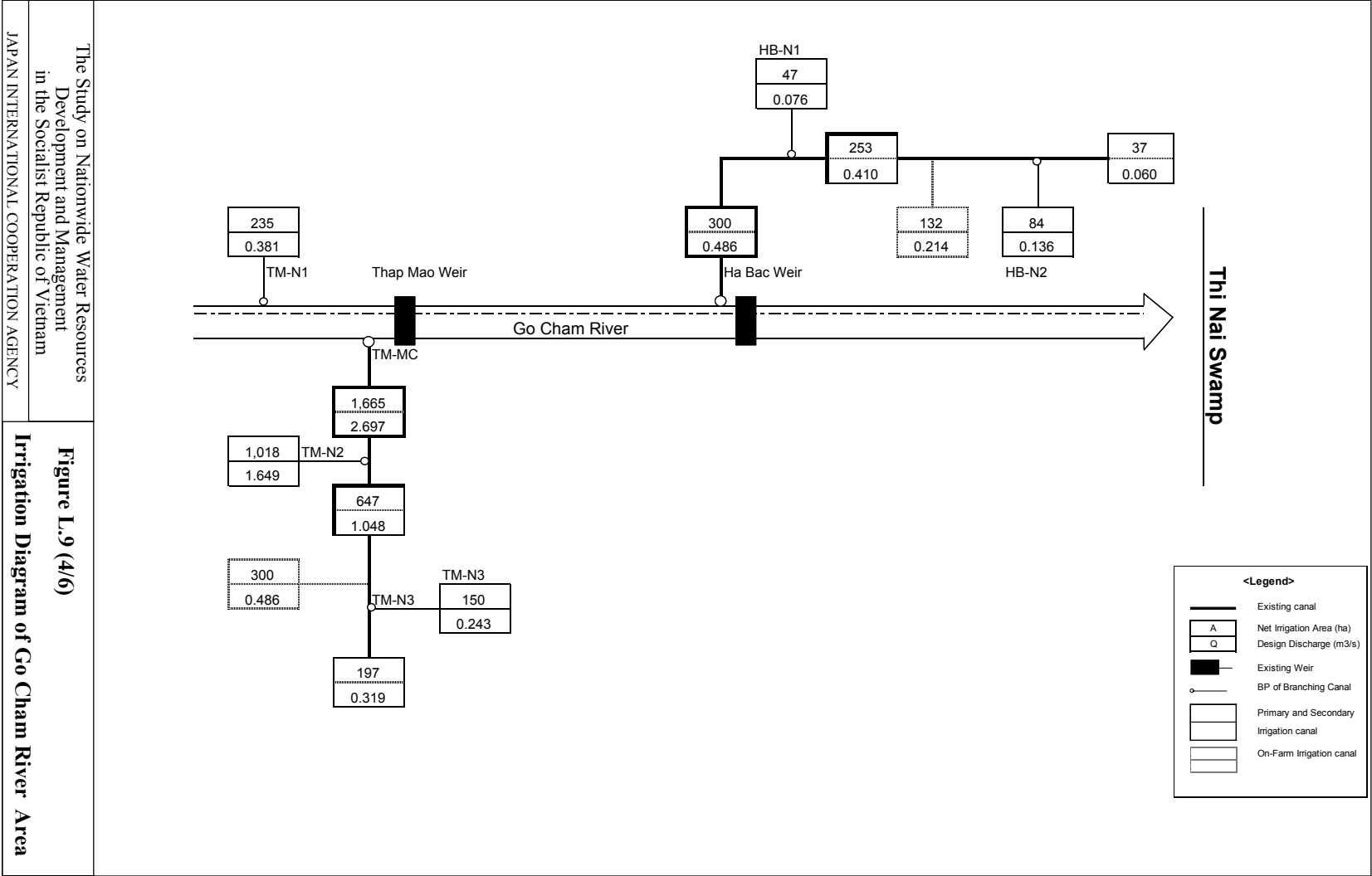


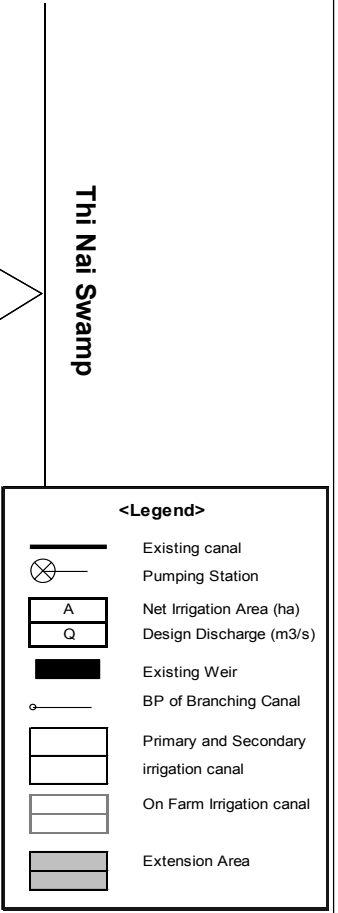
Figure L.9 (1/6)
Irrigation Diagram of Van Phong Proper





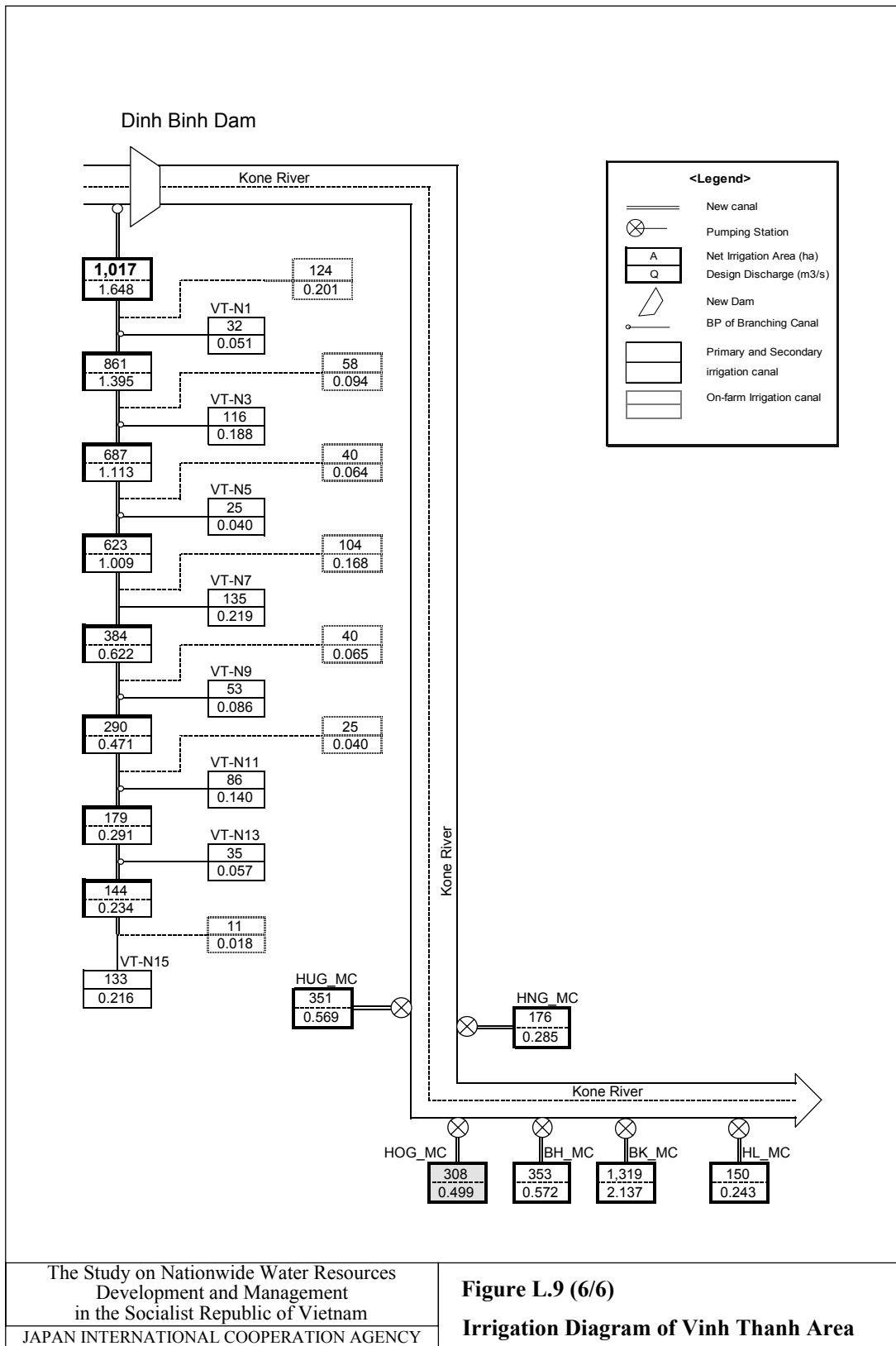






The Study on Nationwide Water Resources Development and Management in the Socialist Republic of Vietnam
 JAPAN INTERNATIONAL COOPERATION AGENCY

Figure L.9 (5/6)
Irrigation Diagram of Tan An & Ha Thanh Lower Area



The Study on Nationwide Water Resources
Development and Management
in the Socialist Republic of Vietnam
JAPAN INTERNATIONAL COOPERATION AGENCY

Figure L.9 (6/6)
Irrigation Diagram of Vinh Thanh Area

