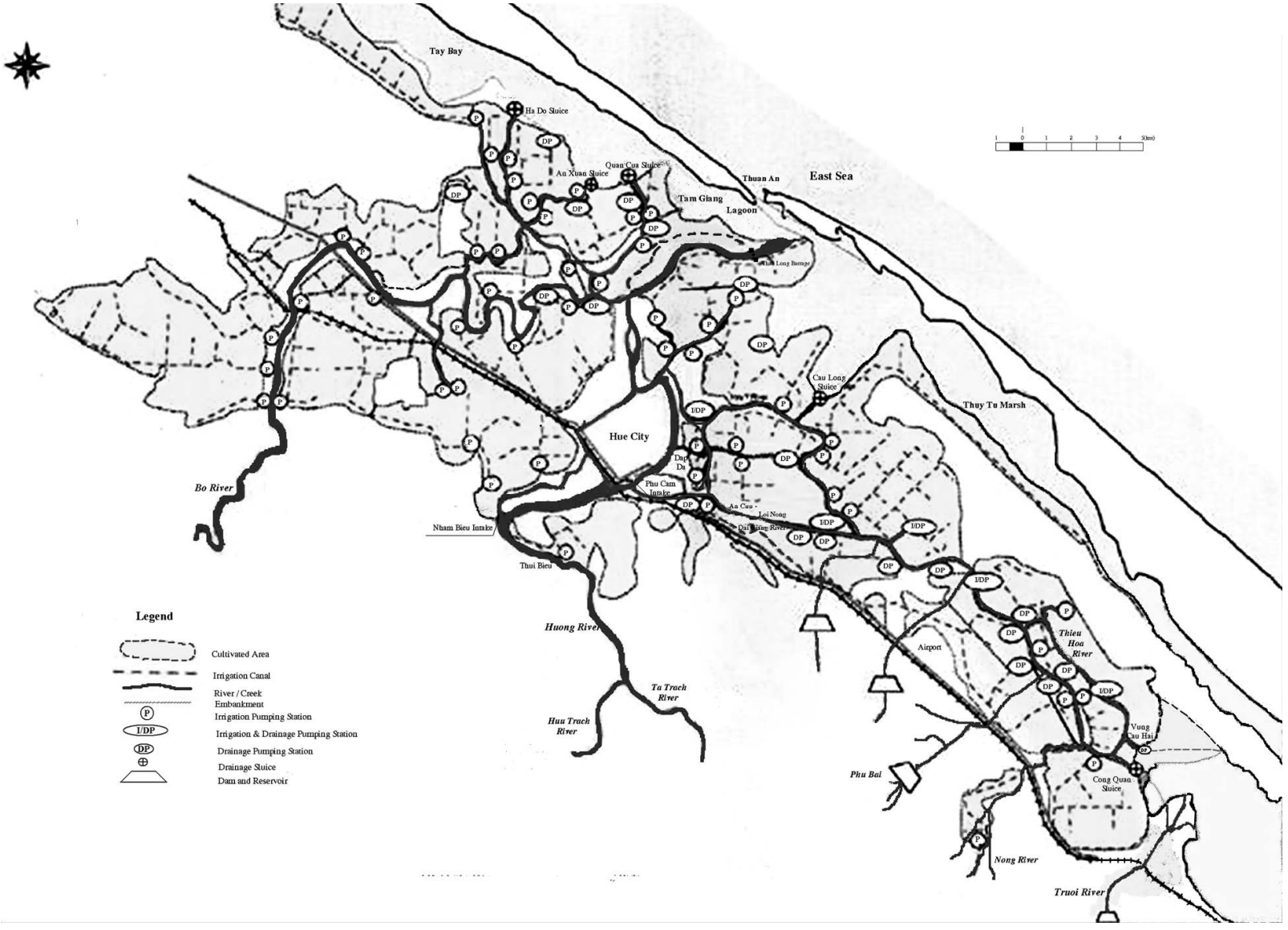
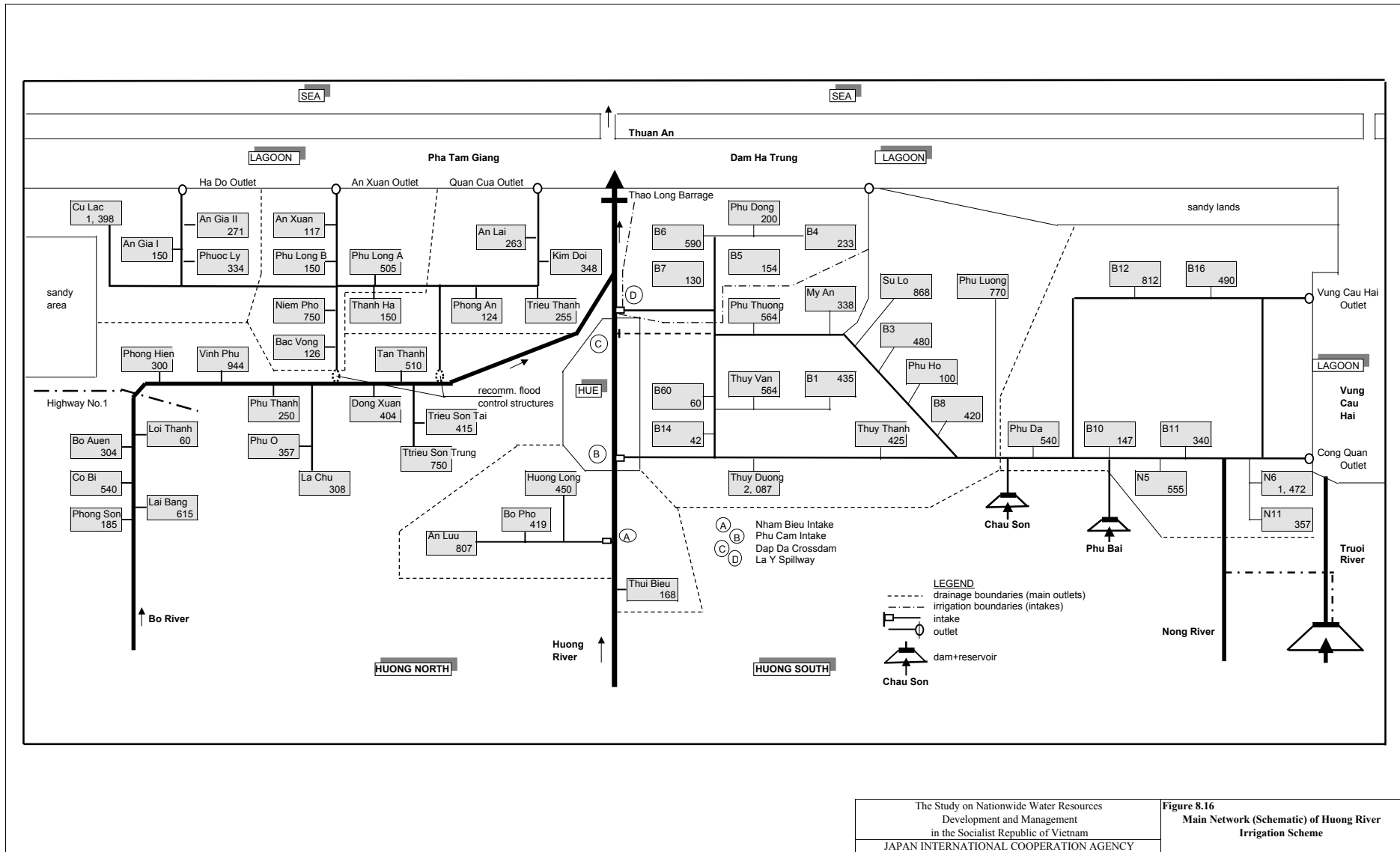


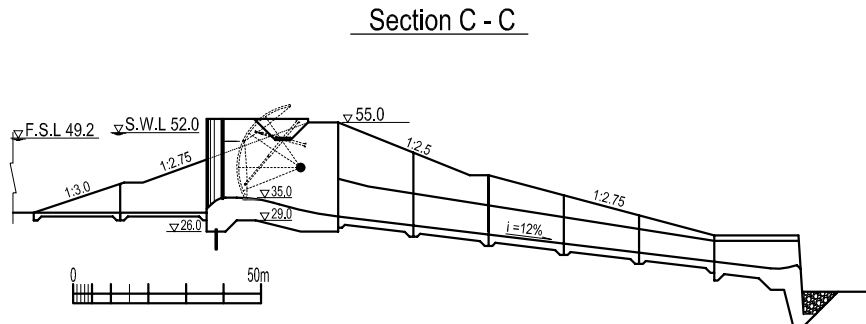
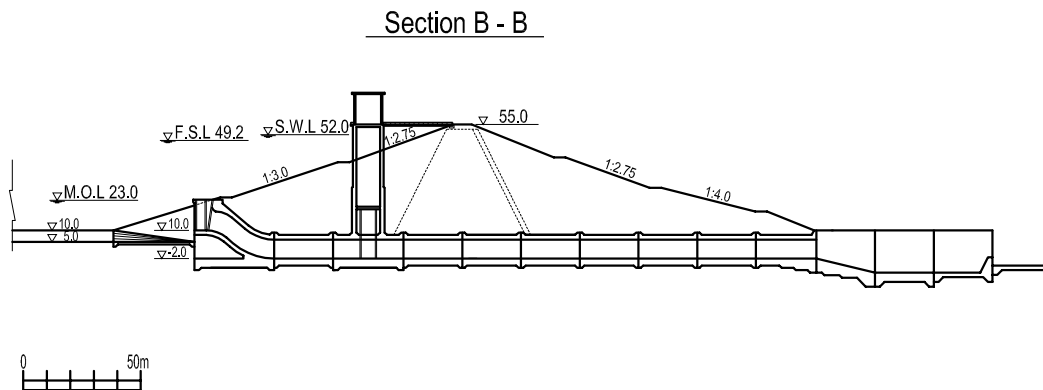
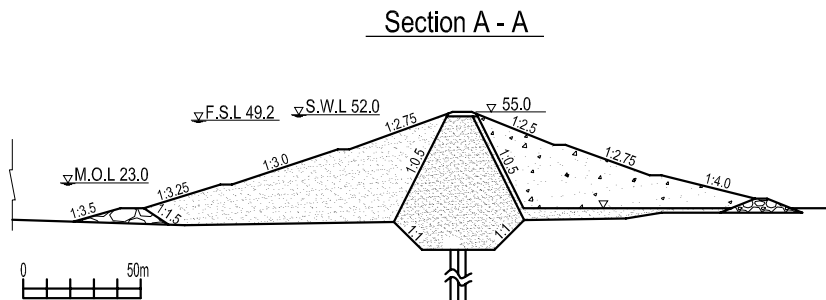
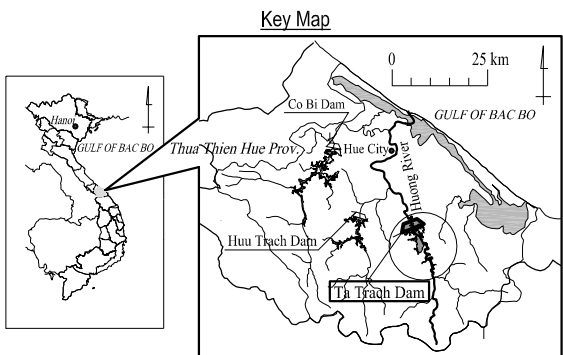
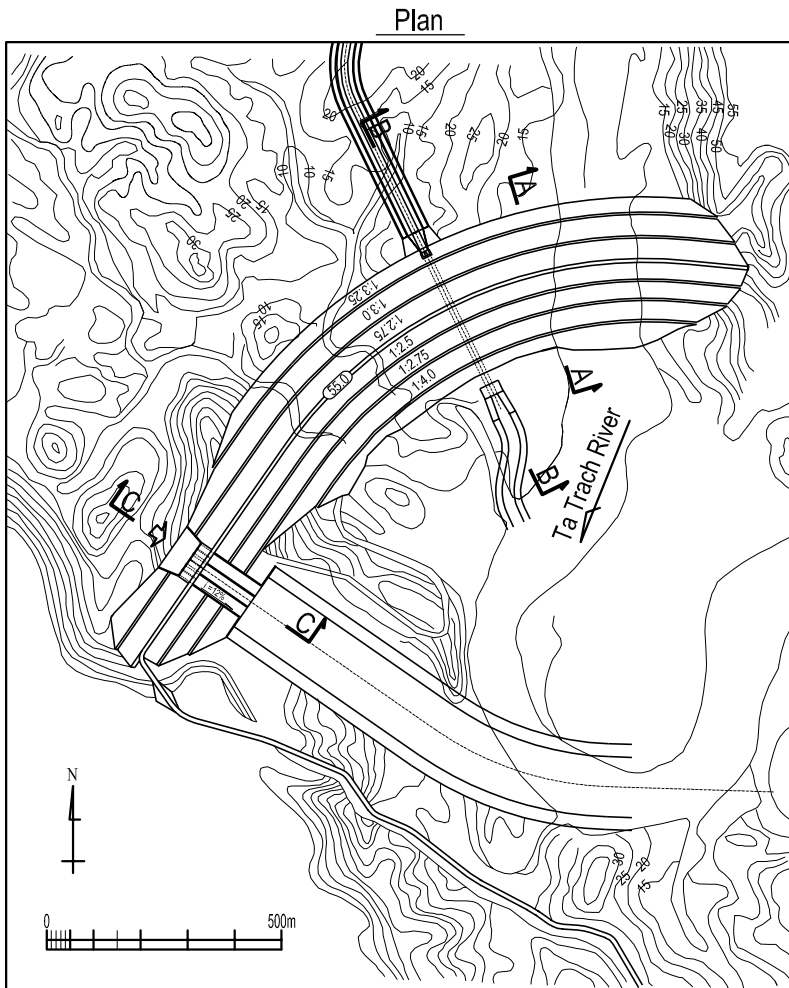
Figure 8.15
Huong River Irrigation Scheme



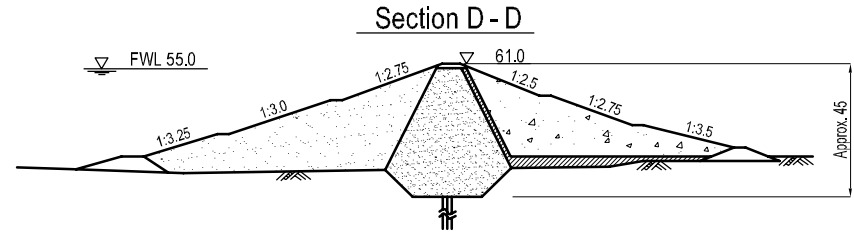
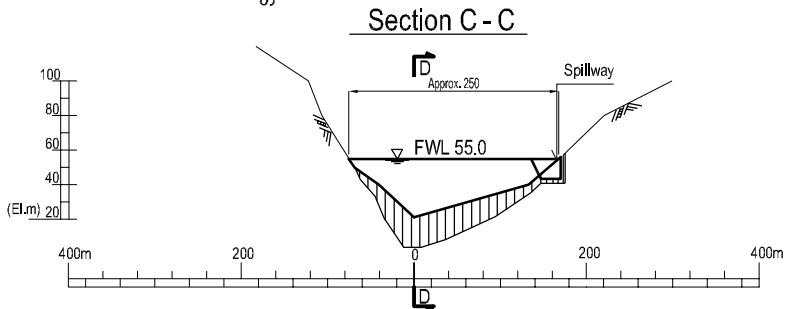
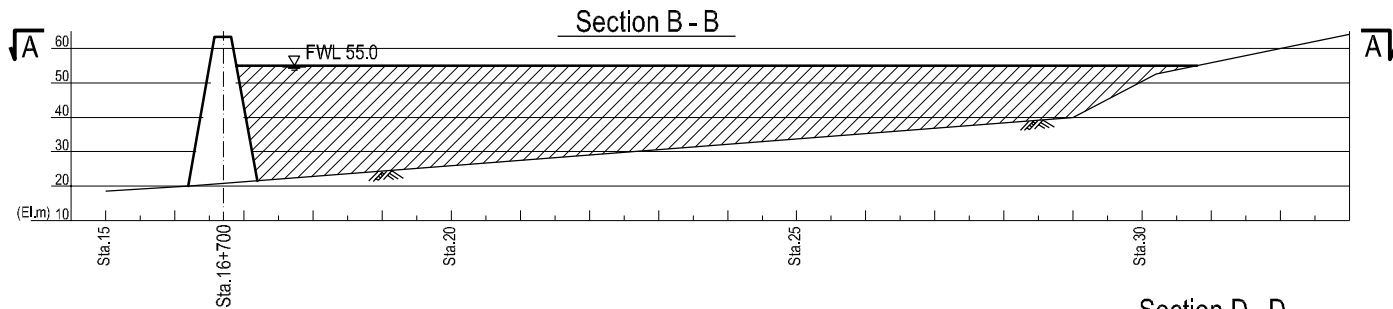
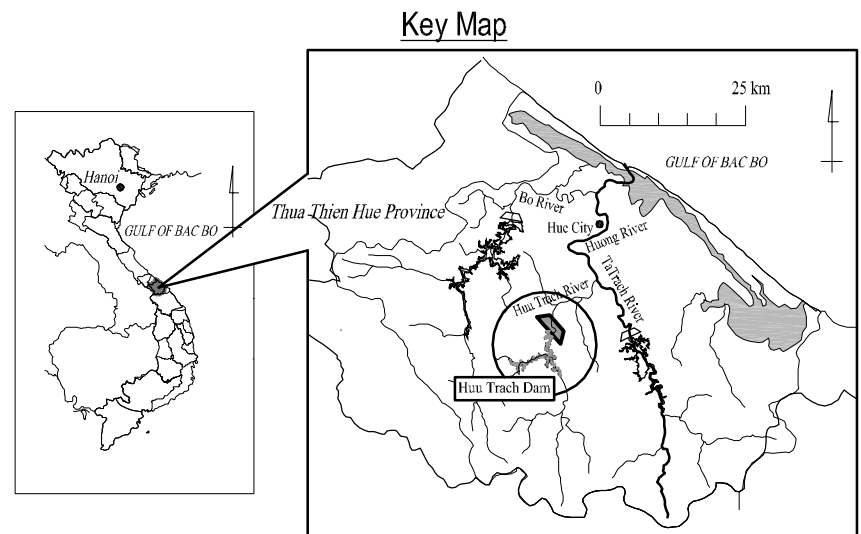
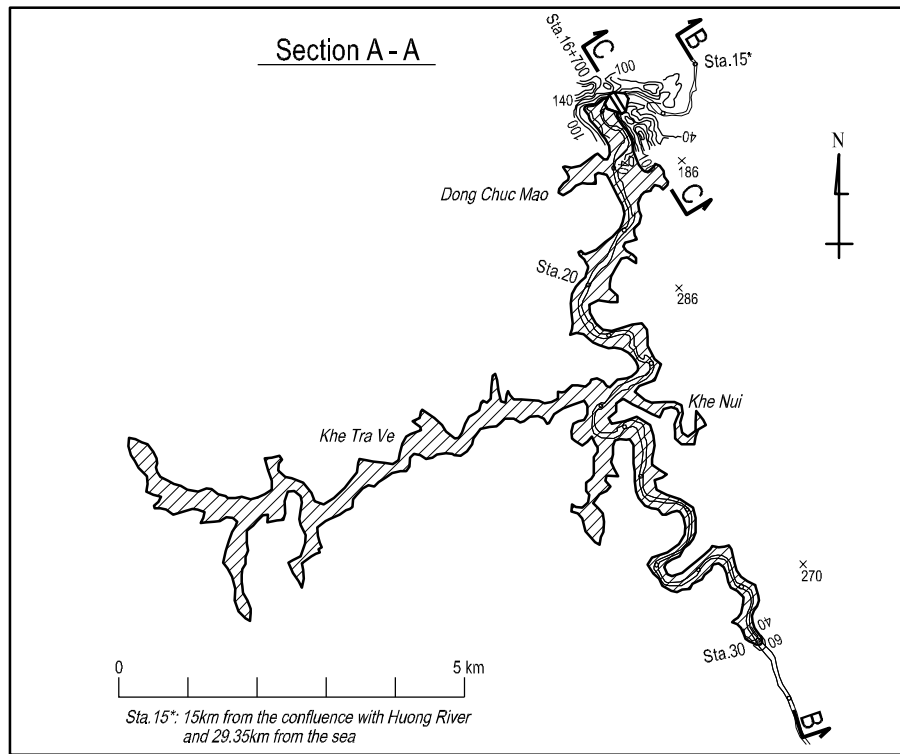


The Study on Nationwide Water Resources
Development and Management
in the Socialist Republic of Vietnam
JAPAN INTERNATIONAL COOPERATION AGENCY

Figure 8.16
Main Network (Schematic) of Huong River
Irrigation Scheme

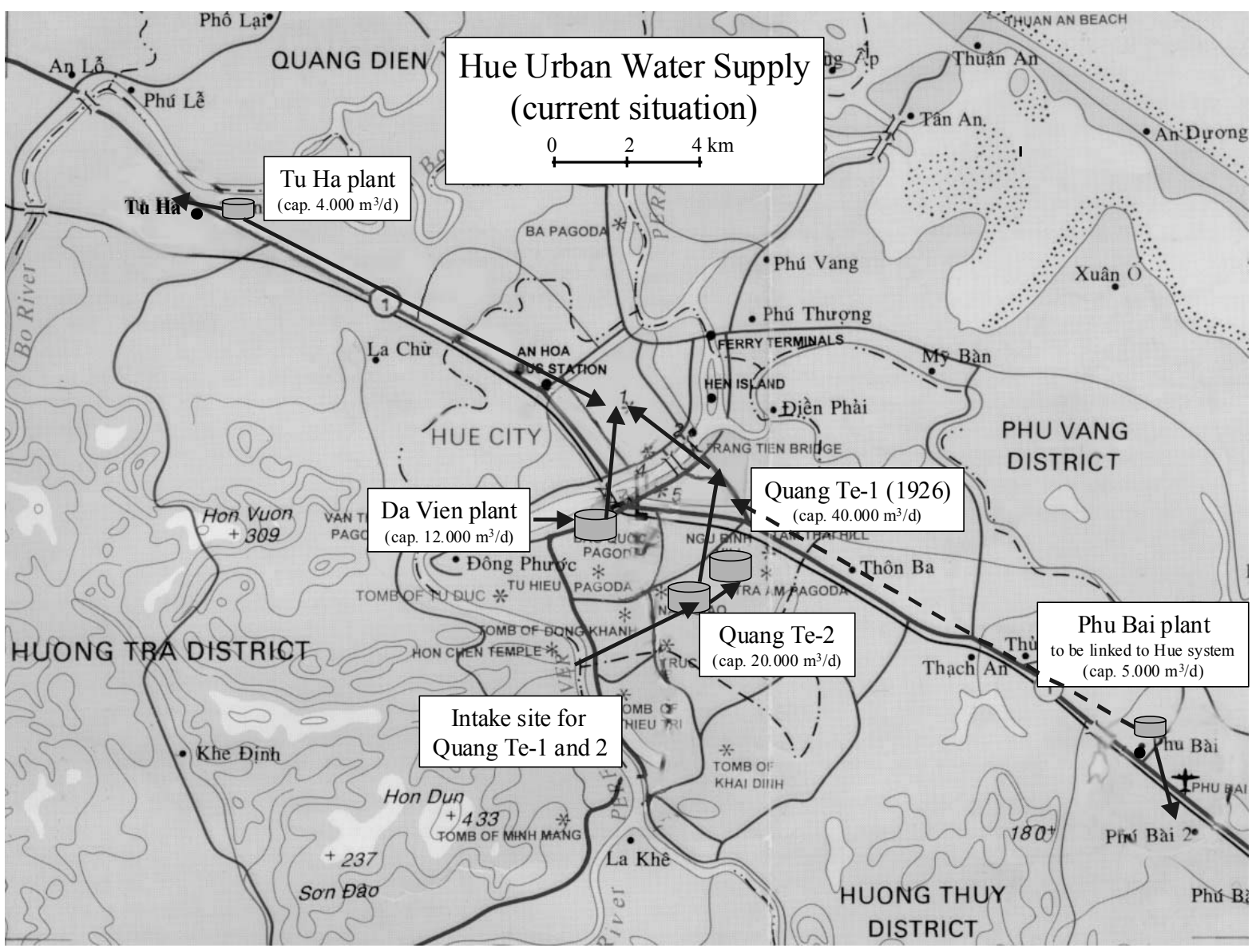


Note: The design prepared by HEC-1 is provisionally presented in this Figure



The Study on Nationwide Water Resources Development and Management in the Socialist Republic of Vietnam
 JAPAN INTERNATIONAL COOPERATION AGENCY

Figure 9.2
Huu Trach Multi-Purpose Reservoir



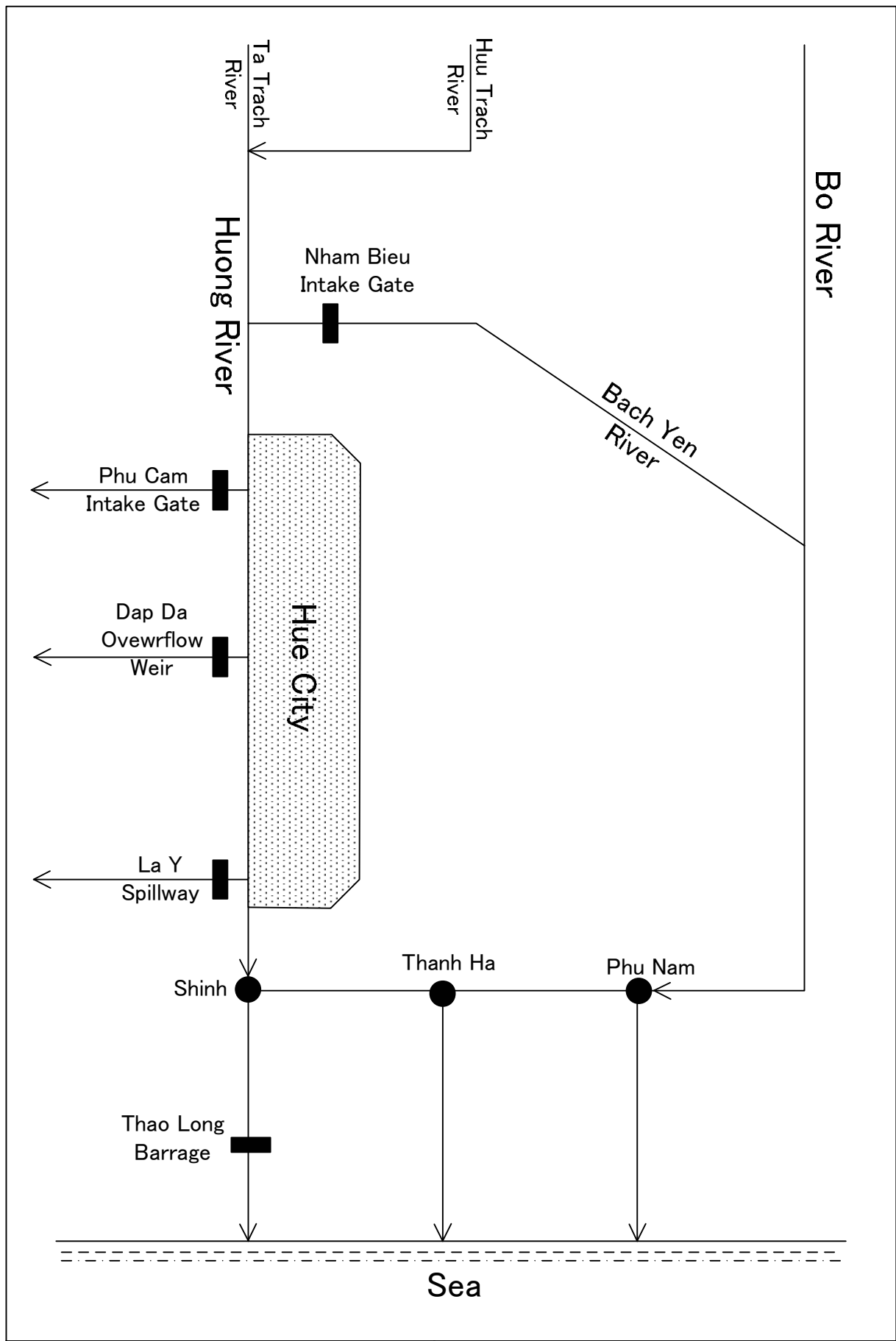


Figure 9.4
Location of Downstream Facilities for
Flood Control and/or Irrigation

Figure 10.2 Overall Implementation Schedule by Sector

| Description | Year | | | | | | | | | | | | | | | | | | | |
|--|-------|-------|-------|-------|-------|-------|-------|-------|-------|-------|-------|-------|-------|-------|-------|-------|-------|-------|-------|-------|
| | 2002 | 2003 | 2004 | 2005 | 2006 | 2007 | 2008 | 2009 | 2010 | 2011 | 2012 | 2013 | 2014 | 2015 | 2016 | 2017 | 2018 | 2019 | 2020 | |
| 1-A.Ta Trach Reservoir Project | | | | | | | | | | | | | | | | | | | | |
| - Preparatory Works | | | | | — | — | | | | — | — | — | | | | | | | | |
| - Main Dam | | | | | | — | — | — | — | — | — | — | | | | | | | | |
| - Spillway | | | | | | — | — | — | — | — | — | — | | | | | | | | |
| - Outlet Works | | | | | | — | — | — | — | — | — | — | | | | | | | | |
| - Saddle Dams | | | | | — | — | | | — | — | — | — | | | | | | | | |
| - Hydropower | | | | | | | | | | | — | — | | | | | | | | |
| - Land Acquisition and Resettlement | | | | | | | | | | | | | | | | | | | | |
| - Engineering Services by Consultants | | | | | | | | | | | | | | | | | | | | |
| 1-B.Huu Trach Reservoir Project | | | | | | | | | | | | | | | | | | | | |
| - Preparatory Works | | | | | | | | | | | — | — | | | — | — | — | — | | |
| - Main Dam | | | | | | | | | | | | | — | — | — | — | — | — | | |
| - Spillway | | | | | | | | | | | | | — | — | — | — | — | — | | |
| - Outlet Works | | | | | | | | | | | | | — | — | | | | | | |
| - Land Acquisition and Resettlement | | | | | | | | | | | | | | | | | | | | |
| - Engineering Services by Consultants | | | | | | | | | | | | | | | | | | | | |
| 2. Irrigation and Drainage Facilities | | | | | | | | | | | | | | | | | | | | |
| - Preparatory Works | | | | | — | — | | | | | | | | | | | | | | |
| - Improvement of Main Canal / Drain Network | | | | | | — | — | — | — | — | — | — | — | — | — | — | — | — | — | — |
| - Construction and Rehabilitation of Main Inlet and Outlet | | | | | | — | — | — | — | — | — | — | — | — | — | — | — | — | — | — |
| - Rehabilitation of Pumping Stations | | | | | | — | — | — | — | — | — | — | — | — | — | — | — | — | — | — |
| - Embankment of Dikes | | | | | | — | — | — | — | — | — | — | — | — | — | — | — | — | — | — |
| - Improvement of Secondary System | | | | | | — | — | — | — | — | — | — | — | — | — | — | — | — | — | — |
| - Improvement of Tertiary System / On-farm Works | | | | | | — | — | — | — | — | — | — | — | — | — | — | — | — | — | — |
| - Engineering Services by Consultants | | | | | | | | | | | | | | | | | | | | |
| 3. Domestic and Industrial Water Supply | | | | | | | | | | | | | | | | | | | | |
| - Preparatory Works | | | | | — | — | | | | | | | | | | | | | | |
| - Phase 2 of Quang Te 2 Treatment Plant | | | | | — | — | — | — | | | | | | | | | | | | |
| - Additional Pipeline | | | | — | — | — | — | — | — | — | — | — | — | — | — | — | — | — | — | — |
| - 45,000 house connection | | | | — | — | — | — | — | — | — | — | — | — | — | — | — | — | — | — | — |
| - Booster Station and Ancillaries | | | | | | | | — | — | | | | | | | | | | | |
| - Small Projects | | | | | | | | | | | — | — | | — | — | | — | — | | |
| - Engineering Services by Consultants | | | | | | | | | | | | | | | | | | | | |