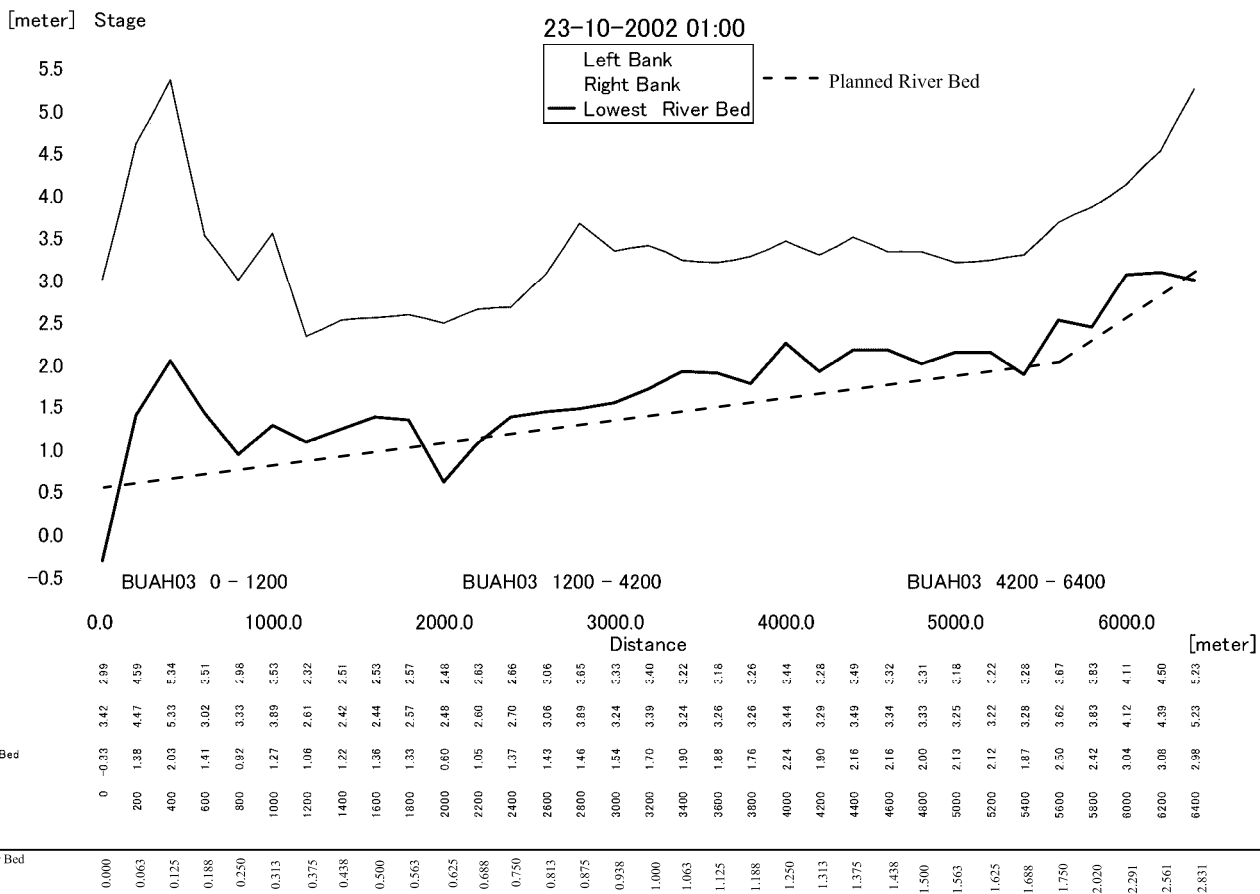
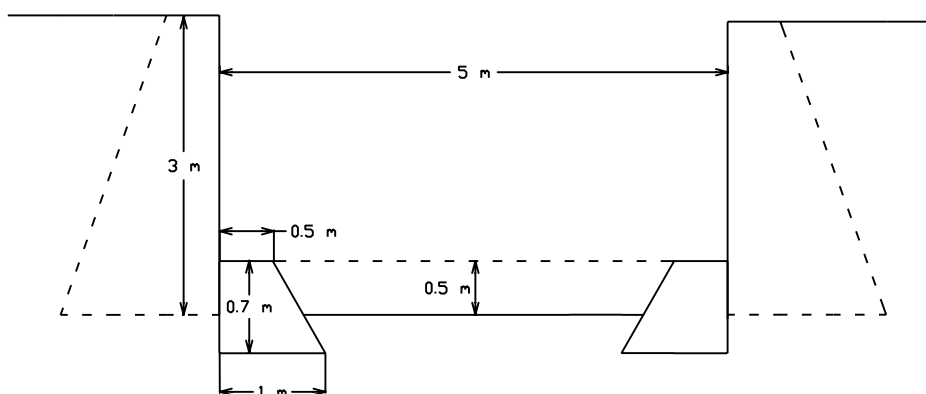


### Planned Lontitudinal Profile of Channel Bed



### Planned Cross-Section



THE STUDY ON COMPREHENSIVE WATER MANAGEMENT OF MUSI RIVER BASIN



Annex H6. 2. 4



CTI ENGINEERING INTERNATIONAL Co., Ltd.



NIKKEN Consultants, Inc.

Planned Drainage System - 8