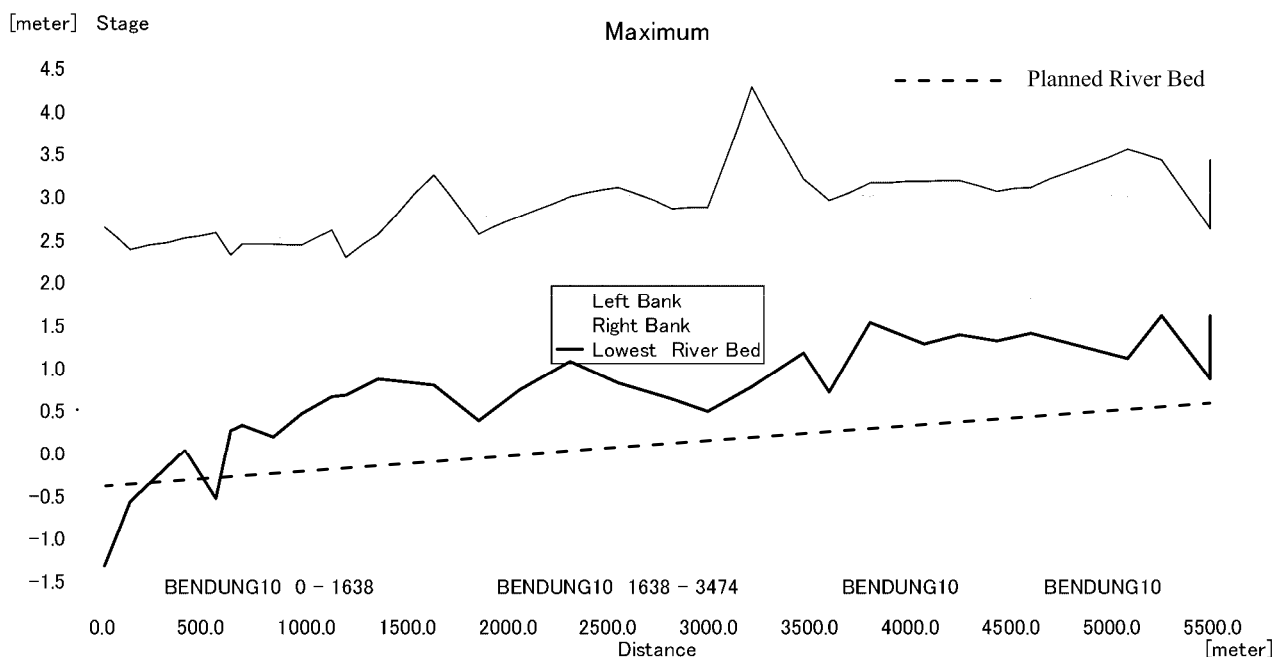


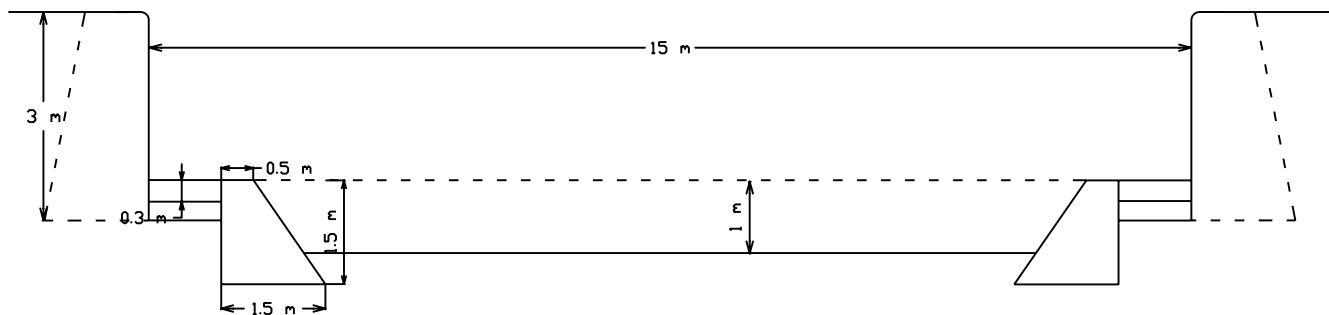
Planned Lontidudinal Profile of Channel Bed



	BENDUNG10 0 - 1638				BENDUNG10 1638 - 3474				BENDUNG10 3474 - 4000				BENDUNG10 4000 - 5500													
	0.0	500.0	1000.0	1500.0	2000.0	2500.0	3000.0	3500.0	4000.0	4500.0	5000.0	5500.0														
	Distance													[meter]												
Left Bank	2.63	2.61	2.63	2.49	2.55	2.99	3.10	2.85	2.86	3.14	3.16	3.54	3.41	3.41												
Right Bank	2.37	2.49	2.56	2.31	2.42	2.55	2.75	2.86	2.86	3.14	3.16	3.54	3.41	3.41												
Lowest River Bed	-1.34	0.02	0.28	0.18	0.44	0.72	0.98	0.82	0.48	0.76	1.26	1.30	1.29	1.59												
Distance	0	400	600	843	980	1128	1200	1560	1638	1860	2066	2315	2553	2820	3000	3215	3474	3600	3800	4070	4250	4434	4698	5082	5250	5494

Planned Cross-Section	-0.409	-0.383	-0.333	-0.303	-0.289	-0.279	-0.248	-0.222	-0.194	-0.180	-0.150	-0.097	-0.055	-0.016	0.032	0.077	0.128	0.162	0.203	0.252	0.276	0.314	0.366	0.400	0.435	0.466	0.558	0.590
-----------------------	--------	--------	--------	--------	--------	--------	--------	--------	--------	--------	--------	--------	--------	--------	-------	-------	-------	-------	-------	-------	-------	-------	-------	-------	-------	-------	-------	-------

Planned Cross-Section



THE STUDY OM COMPREHENSIVE WATER MANAGEMENT OF MUSI RIVER BASIN



Annex H6.2.2



CTI ENGINEERING INTERNATIONAL Co., Ltd.



NIKKEN Consultants, Inc.

Planned Drainage System - 6