

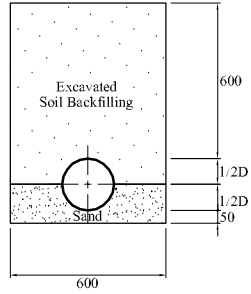
The Project for Rural Water Supply  
 in Nusa Tenggara Barat and Nusa Tenggara Timur  
 in The Republic of Indonesia

Japan International Cooperation Agency

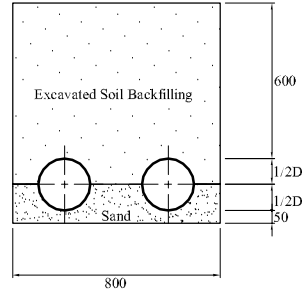
Tarus - NTT

*Appendix-5.2*  
*Standard Drawings*

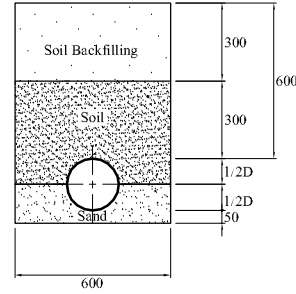
Typical Section of Soil Excavation 1



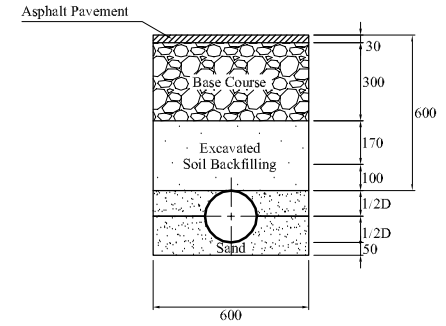
Typical Section of Soil Excavation 2



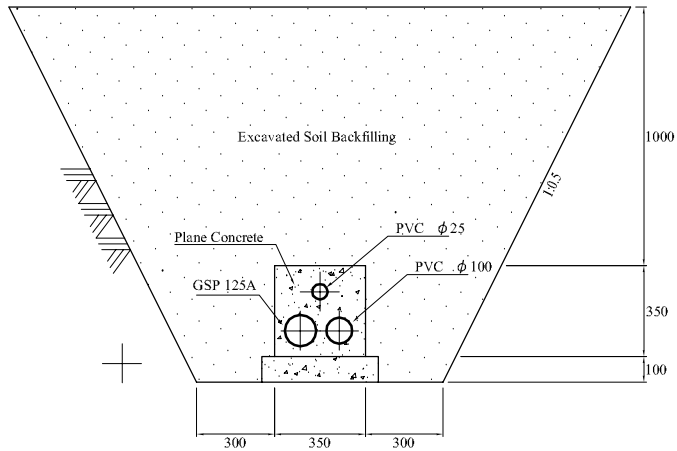
Typical Section of Rock Excavation



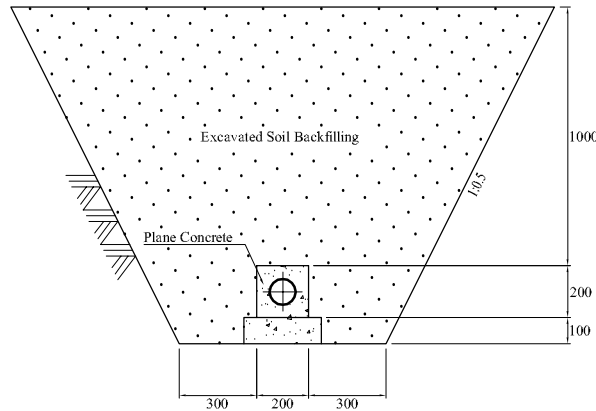
Roud Pavement



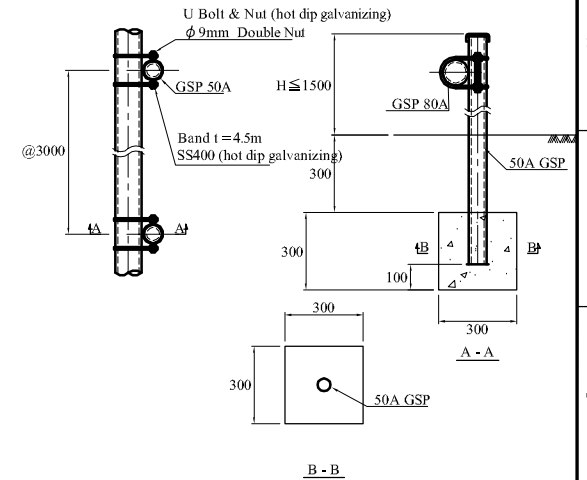
River Cross Section 1



River Cross Section 2



Typical Pipe Support



THE PROJECT FOR RURAL WATER SUPPLY  
IN NUSA TENGGARA BARAT AND NUSA TENGGARA TIMUR  
IN THE REPUBLIC OF INDONESIA

DEPARTEMEN PERMUKIMAN DAN PRASARANA WILAYAH  
DIREKTORAT JENDERAL TATA PERKOTAAN DAN TATA  
PERDESAAN INDONESIA

JAPAN INTERNATIONAL COOPERATION AGENCY

CONSULTING ENGINEERS:



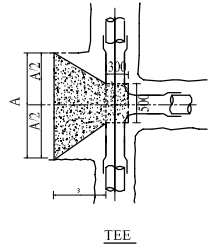
NIPPON KOEI CO., LTD.

TITLE: TYPICAL SECTION FOR PIPE INSTALLATION

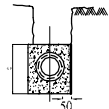
SCALE: 1:20

DATE: SEPT. 2003

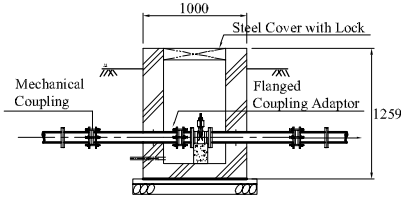
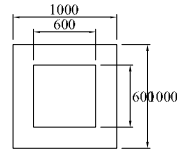
DRAWING NO.: SD-001



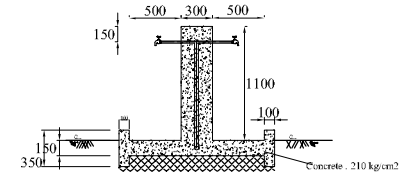
TEE



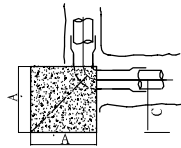
TYPICAL ELEVATION OF CONCRETE THRUST BLOCK



VALVE CHAMBER

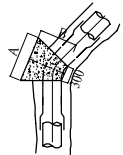


SECTION A-A



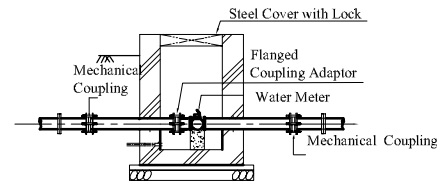
90° BEND

**NOTE:**  
 - ALL THRUST BLOCK SHALL BE PLACED AGAINST UNDISTURBED SOIL.  
 - JOINTS WITH THRUST BLOCK ARE SHOWN AS SOCKET AND SPIGOT. CONNECTION MAY CHANGE BASED ON PIPE MATERIAL.

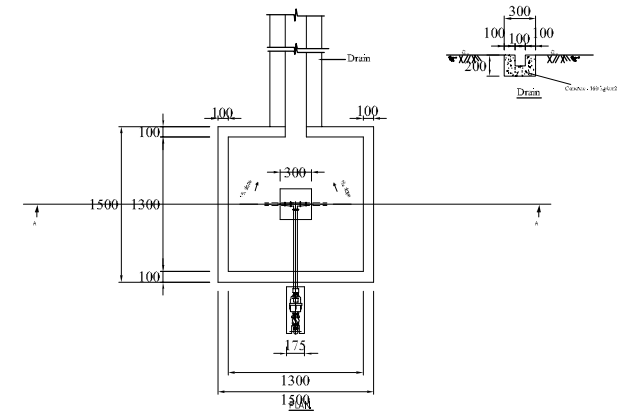


45° BEND, 22 1/2° BEND, 11 1/4° BEND

SITE FITTING		A (mm)	B (mm)	C (mm)
TEE	≥ 75	1 200	500	500
	< 75	600	400	350
90 BEND	≥ 75	800	-	500
	< 75	400	-	350
45 22 1/2 11 1/4 BEND	≥ 75	500	500	500
	< 75	400	400	350



METER CHAMBER



PUBLIC HYDRANT

THRUST BLOCK

CHAMBER

THE PROJECT FOR RURAL WATER SUPPLY  
 IN NUSA TENGGARA BARAT AND NUSA TENGGARA TIMUR  
 IN THE REPUBLIC OF INDONESIA

DEPARTEMEN PERMUKIMAN DAN PRASARANA WILAYAH  
 DIREKTORAT JENDERAL TATA PERKOTAAN DAN TATA  
 PERDESAAN INDONESIA

JAPAN INTERNATIONAL COOPERATION AGENCY

CONSULTING ENGINEERS:



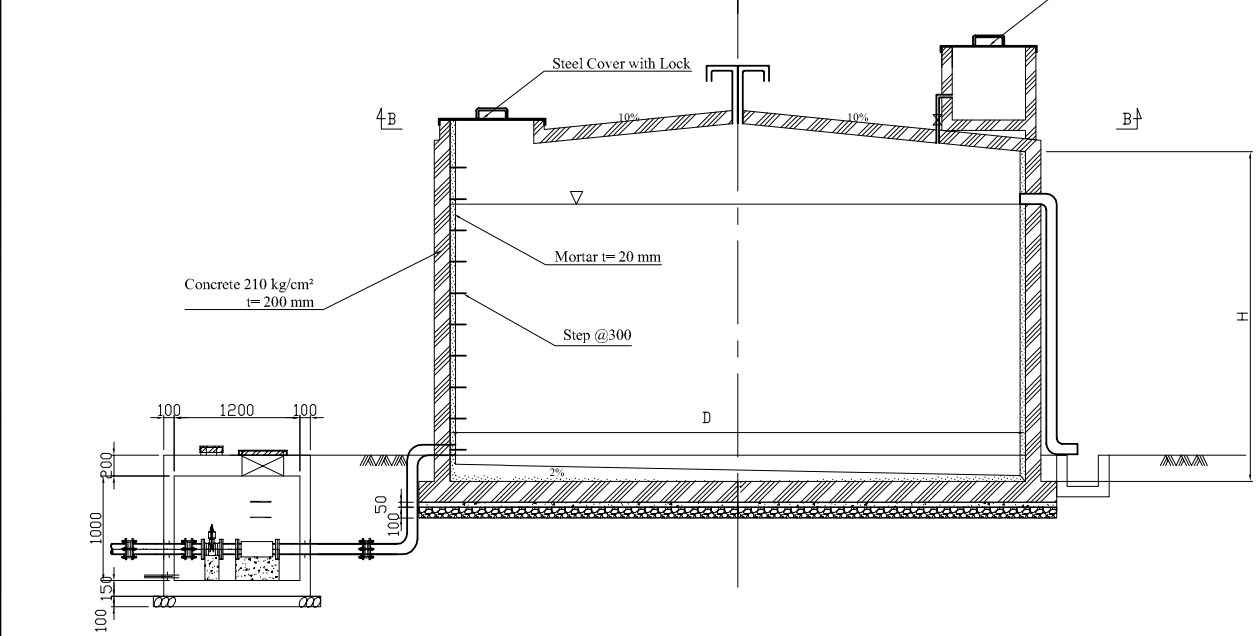
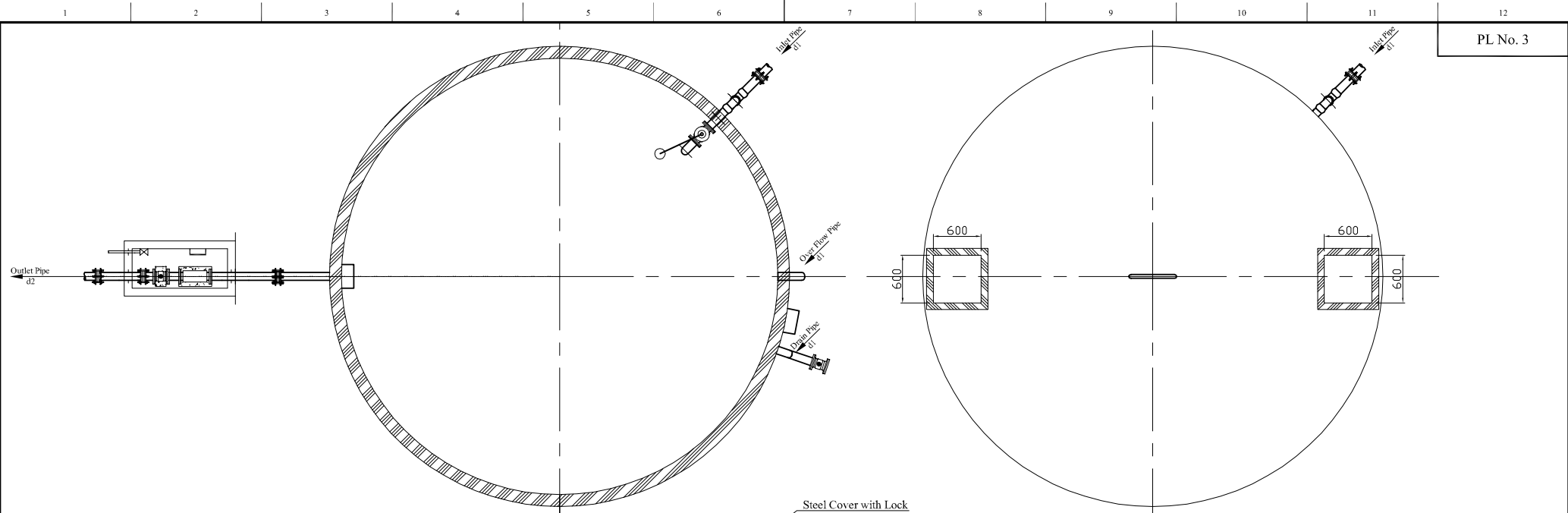
NIPPON KOEI CO., LTD.

TITLE: THRUST BLOCK, CHAMBER, PUBLIC HYDRANT

SCALE: 1:50

DATE: SEPT. 2003

DRAWING NO.: SD-002



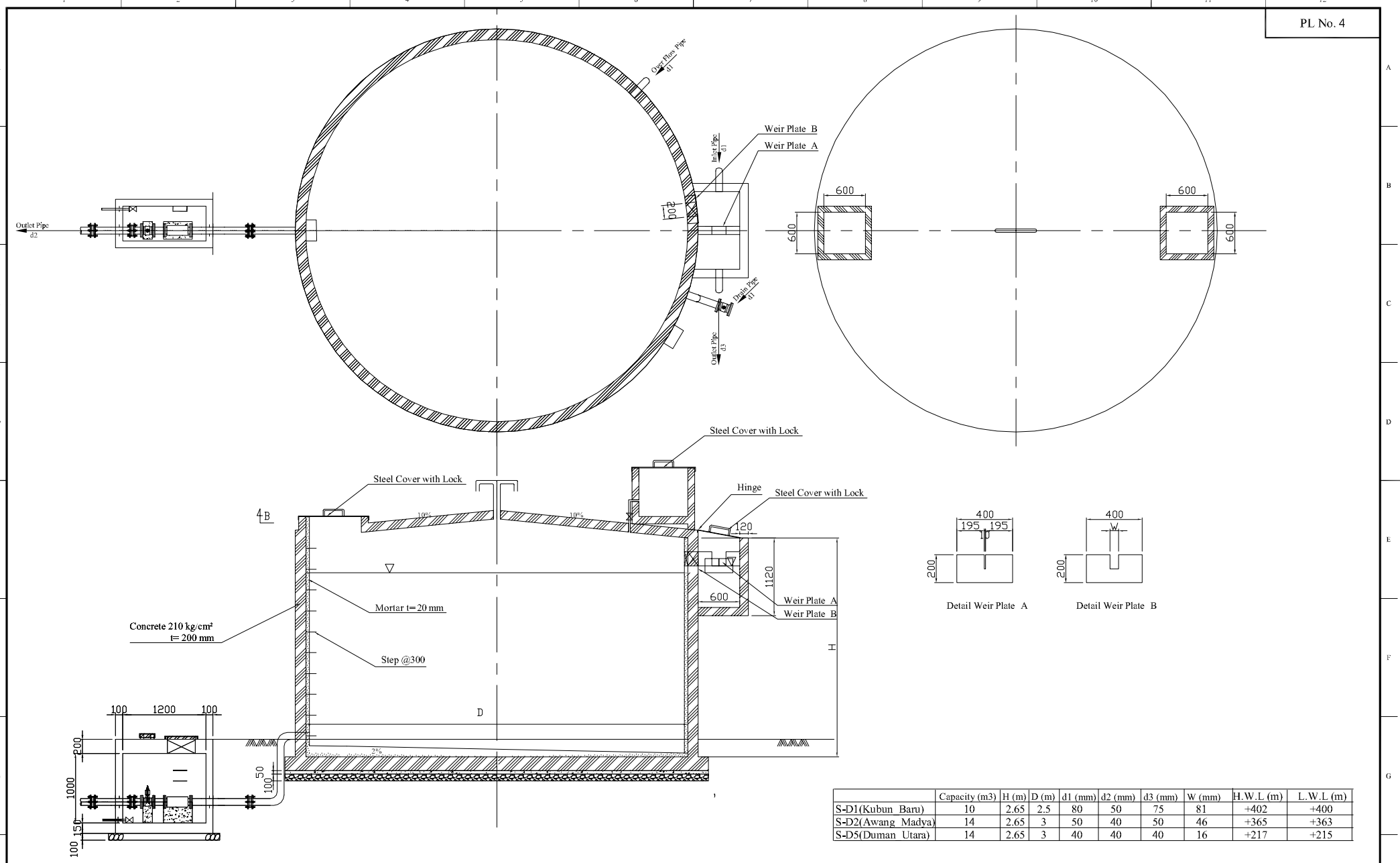
	Capacity (m3)	H (m)	D (m)	d1 (mm)	d2 (mm)	H.W.L (m)	L.W.L (m)
S-D4(Montong)	14	2.65	3	40	40	+247	+245
S-D6 (Dimaq_Dasar+Seraya,Dasan)	18	3.65	3	30	50	+123	+120
S-T1(Tarus)	120	3.15	7.8	125	125	+51.25	+49.25
S-B1(Bagik Papan)	60	3.15	5.5	80	100	+162	+159.5
S-S1(Selaparang)	100	3.15	7.2	75	100	+167.5	+165

THE PROJECT FOR RURAL WATER SUPPLY  
IN NUSA TENGGARA BARAT AND NUSA TENGGARA TIMUR  
IN THE REPUBLIC OF INDONESIA

DEPARTEMEN PERMUKIMAN DAN PRASARANA WILAYAH  
DIREKTORAT JENDERAL TATA PERKOTAAN DAN TATA  
PERDESAAN INDONESIA  
JAPAN INTERNATIONAL COOPERATION AGENCY

CONSULTING ENGINEERS:  
 NIPPON KOEI CO., LTD.

TITLE: RESERVOIR (1/3)  
SCALE: 1:50  
DATE: SEPT. 2003  
DRAWING NO: SD-003



THE PROJECT FOR RURAL WATER SUPPLY  
IN NUSA TENGGARA BARAT AND NUSA TENGGARA TIMUR  
IN THE REPUBLIC OF INDONESIA

DEPARTEMEN PERMUKIMAN DAN PRASARANA WILAYAH  
DIREKTORAT JENDERAL TATA PERKOTAAN DAN TATA  
PERDESAAN INDONESIA

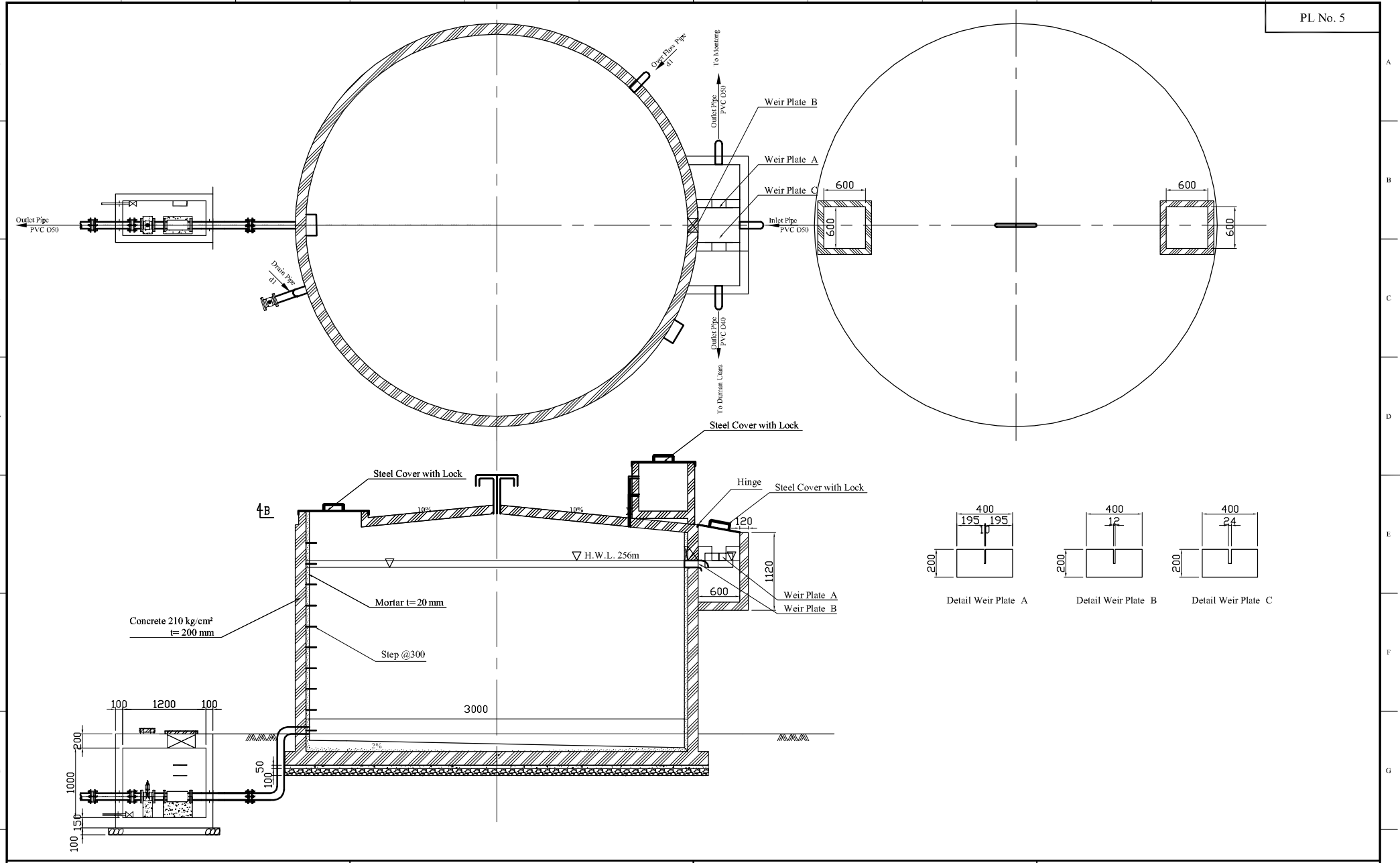
JAPAN INTERNATIONAL COOPERATION AGENCY

CONSULTING ENGINEERS:

 NIPPON KOEI CO., LTD.

TITLE: RESERVOIR (2/3)

SCALE: 1:50	DATE: SEPT. 2003	DRAWING NO.: SD-004
-------------	------------------	---------------------



THE PROJECT FOR RURAL WATER SUPPLY  
IN NUSA TENGGARA BARAT AND NUSA TENGGARA TIMUR  
IN THE REPUBLIC OF INDONESIA

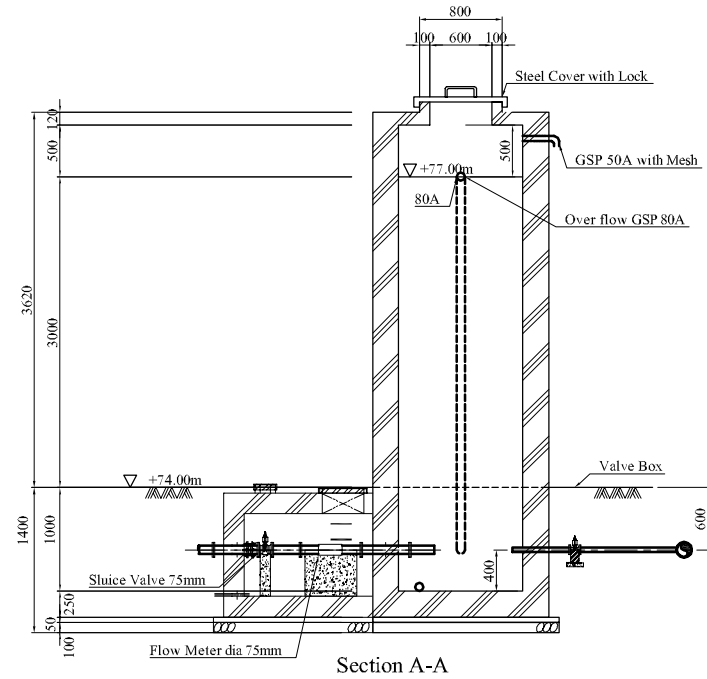
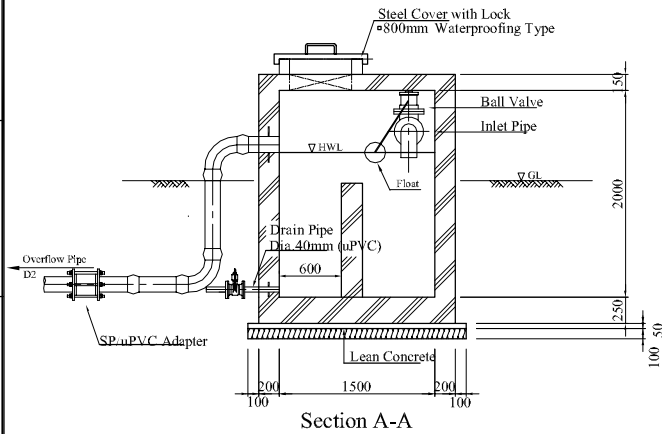
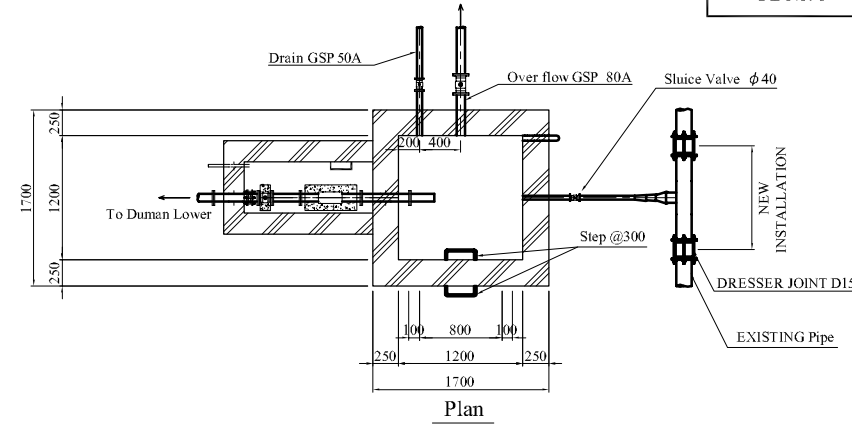
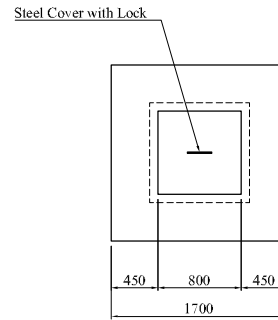
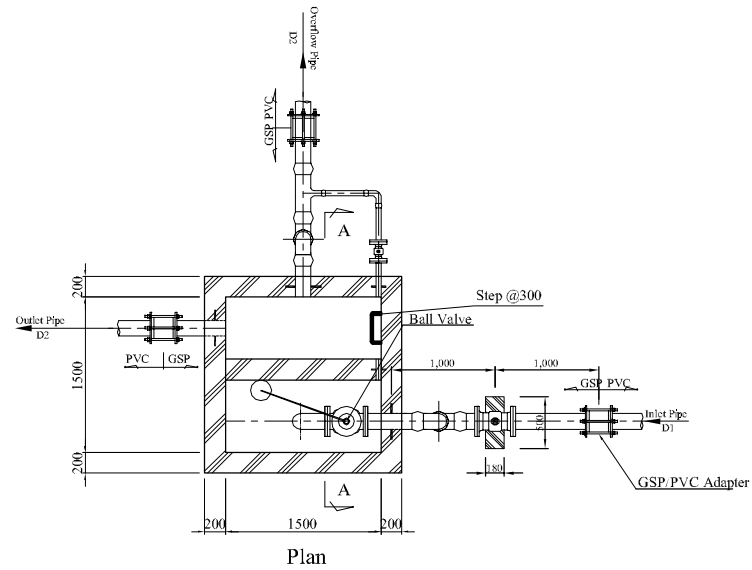
DEPARTEMEN PERMUKIMAN DAN PRASARANA WILAYAH  
DIREKTORAT JENDERAL TATA PERKOTAAN DAN TATA  
PERDESAAN INDONESIA

JAPAN INTERNATIONAL COOPERATION AGENCY

CONSULTING ENGINEERS:

 NIPPON KOEI CO., LTD.

TITLE: RESERVOIR (3/3)		
SCALE: 1:50	DATE: SEPT. 2003	DRAWING NO.: SD-005



**B-D1, D2, D3, D4**

**B-D5(Bug-Bug)**

Break Pressure Tank		Inlet D1 (mm)	Outlet D2 (mm)	G.L. (m)
B-D1(Awang Madya)	RC	25	40	+320
B-D2(Leong)	RC	30	40	+223
B-D3(Montong)	RC	30	40	+200
B-D4(Duman Utara)	RC	25	40	+174

THE PROJECT FOR RURAL WATER SUPPLY  
IN NUSA TENGGARA BARAT AND NUSA TENGGARA TIMUR  
IN THE REPUBLIC OF INDONESIA

DEPARTEMEN PERMUKIMAN DAN PRASARANA WILAYAH  
DIREKTORAT JENDERAL TATA PERKOTAAN DAN TATA  
PERDESAAN INDONESIA

JAPAN INTERNATIONAL COOPERATION AGENCY

CONSULTING ENGINEERS:



NIPPON KOEI CO., LTD.

TITLE: BREAK PRESSURE TANK

SCALE: 1:50

DATE: SEPT. 2003

DRAWING NO.: SD-006