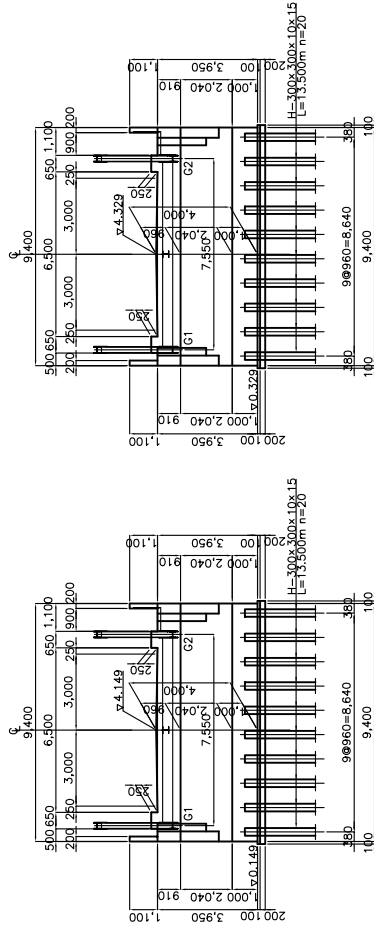
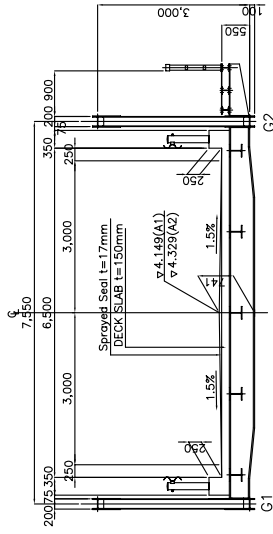
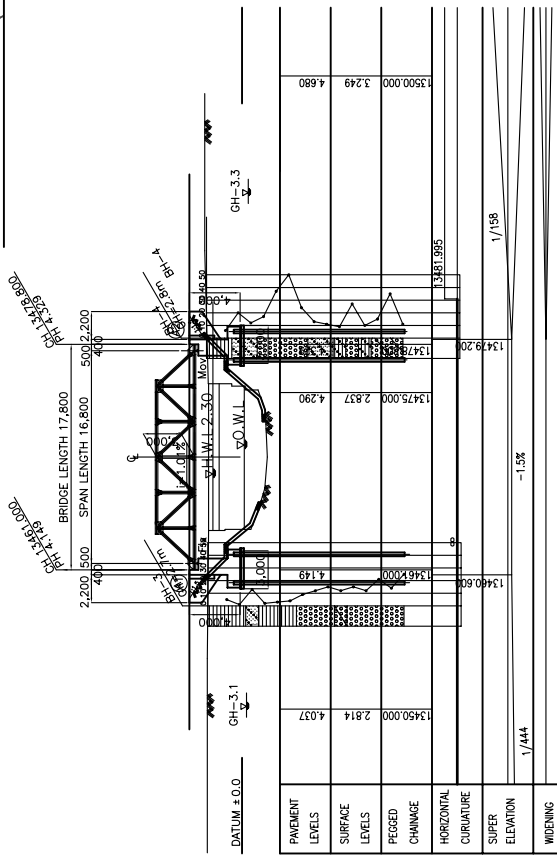
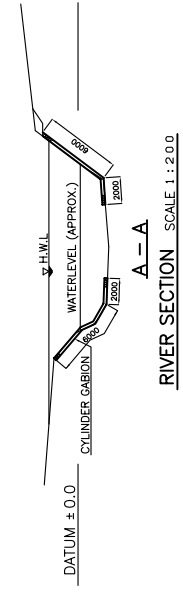


GENERAL VIEW (RENTAPAO BRIDGE)



ABUTMENT SCALE 1:100

ABUTMENT SCALE 1:100



Galvanized Chain Link Net (Wire Dia=3.2mm, Mesh Size=100x100)

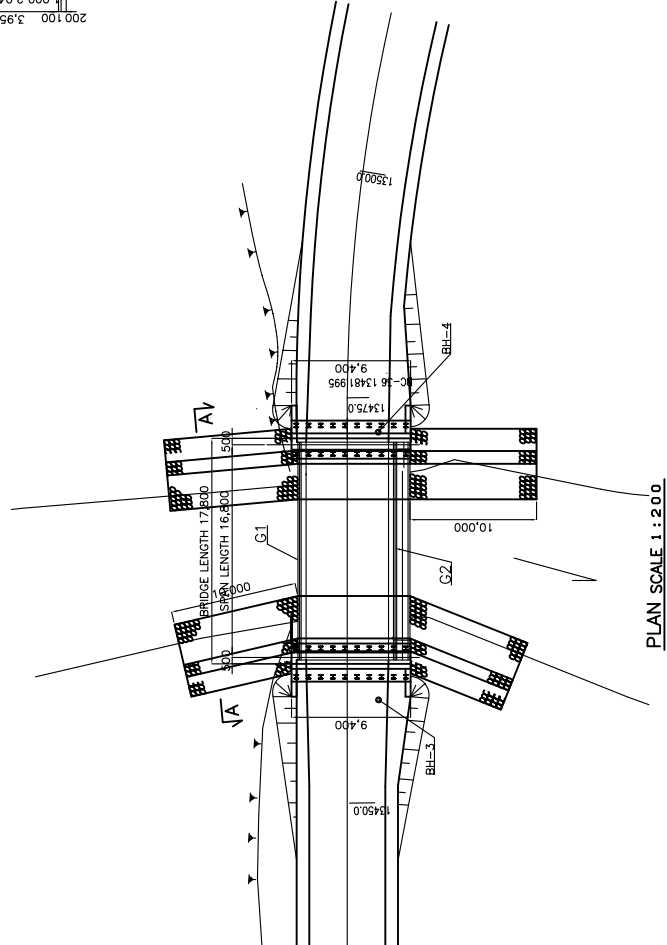


Bottom & Top (Dia. 450)

CYLINDER GABBION DETAIL (non-scale)

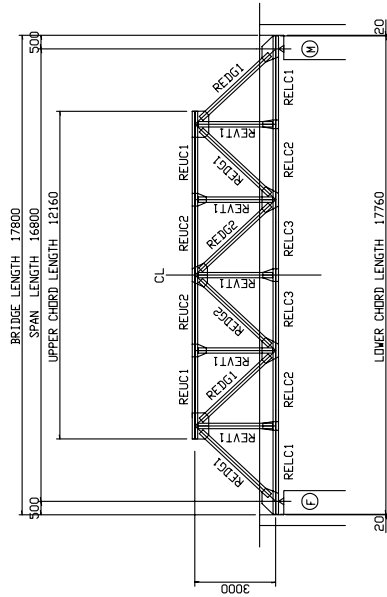
Note
All dimensions are shown in millimeter unless otherwise indicated.

ELEVATION SCALE 1:200

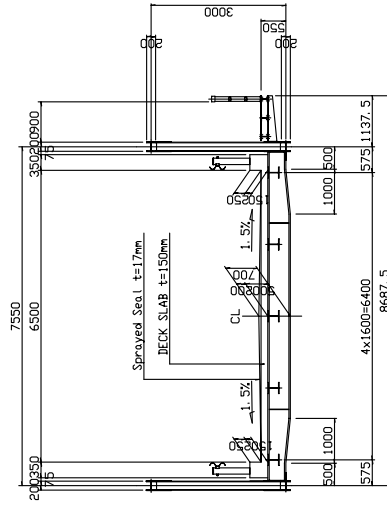


<p>GOVERNMENT OF THE REPUBLIC OF VANUATU PUBLIC WORKS DEPARTMENT</p>	<p>JAPAN INTERNATIONAL COOPERATION AGENCY KATAHIRA & ENGINEERS INTERNATIONAL</p>	<p>PROJECT: BASIC DESIGN STUDY ON THE PROJECT FOR THE REHABILITATION OF BRIDGES ON THE RING ROAD IN THE EFATE ISLAND</p>	<p>TITLE: GENERAL VIEW (RENTAPAO BRIDGE)</p>	<p>DRAWING No.: 23</p>
		<p>DATE:</p>	<p>SCALE:</p>	<p>BY:</p>

GENERAL ARRANGEMENT (RENTAPAO BRIDGE)



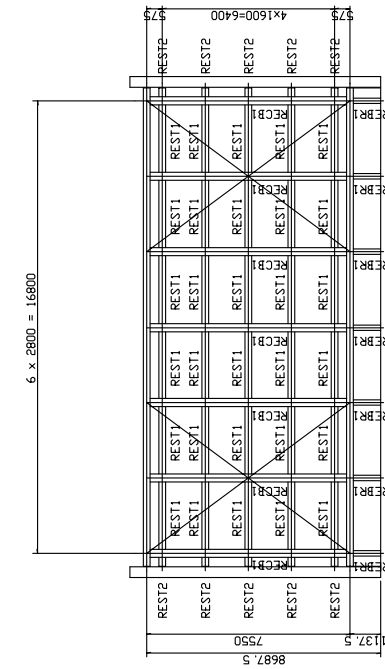
ELEVATION SCALE 1:100



CROSS SECTION SCALE 1:60

Design Criteria of Superstructure

1. Type of Superstructure
Warren Type Pony Truss
2. Bridge Length
17.8m
3. Span Length
16.8 m
4. Width of Bridge
Total Width = 8.688 m
Road Width = 6.500 m
5. Design Live Load
A-Live Load
(by Japan Road Association)
6. Pavement
Sprayed Seal t = 17 mm
7. Deck Slab
Steel Deck Plate (t = 4.0 mm) with Concrete Slab t = 150 mm)
8. Earthquake Load
Horizontal Seismic Coefficient = 0.26
(for the design of Bearing Anchor Bolt and Unseating Prevention)
9. Steel Material
SM490, SM400, SS400, F8T
10. Protective Coating
Hot Dip Galvanizing (Str. Member: HDZ 55, Deck: HDZ 35)



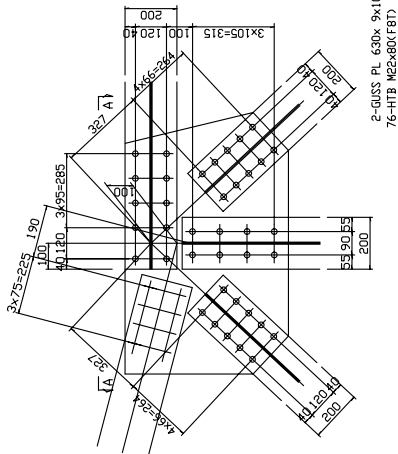
PLAN SCALE 1:100

MARK	TYPE	SIZE (mm)	LENGTH (mm)	MATERIAL
REUC1	H	200x200x 8x12	2895	SM490
REUC2	H	200x200x 8x12	2790	SM490
RELC1	H	200x200x 8x12	2955	SS400
RELC2	H	200x200x 8x12	2790	SS400
RELC3	H	200x200x 8x12	2790	SM490
REDI1	PL	200x13	3535	SM490A
REDI2	H	174x10	3535	SM409A
REVT1	H	200x200x 8x12	3470	SS400
REVT2	H	200x200x 8x12	2760	SS400

MARK	TYPE	SIZE (mm)	LENGTH (mm)	MATERIAL
RECBI	PL	CROSS BEAM 300x30	7314	SM490B
RECBI	PL	440x11	7314	SM490A
REST1	H	250x250x 9x14	2750	SM490
REST2	H	250x250x 9x14	455	SM490
REBR1	H	400x200x8x13	1020	SM400
RELL1	L	LOWER LATERAL 90x 90x10x10	4315	SS400

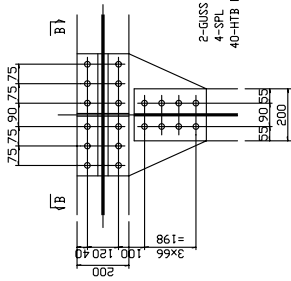
Note
All dimensions are shown in millimeter unless otherwise indicated.

DETAILS OF UPPER&LOWER CONNECTION SCALE 1:10



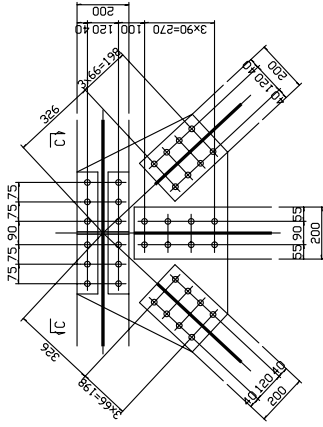
DETAIL A

A - A



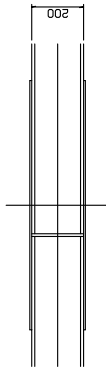
DETAIL B

B - B



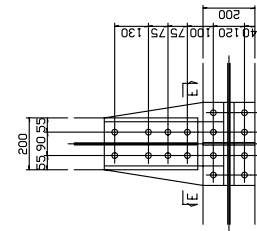
DETAIL C

C - C



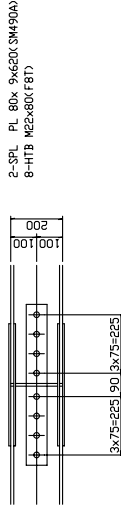
DETAIL D

D - D



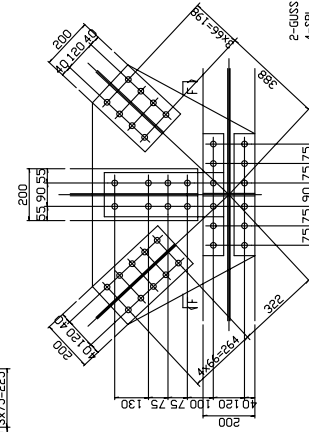
DETAIL E

E - E



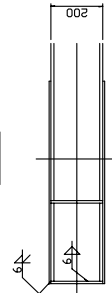
DETAIL F

F - F

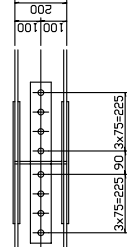


DETAIL G

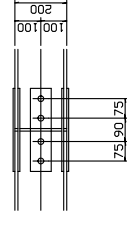
G - G



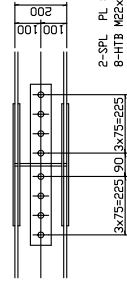
KEY ELEVATION



KEY ELEVATION



KEY ELEVATION



KEY ELEVATION

Note
All dimensions are shown in millimeter unless otherwise indicated.

	JAPAN INTERNATIONAL COOPERATION AGENCY KATHIRA & ENGINEERS INTERNATIONAL	PROJECT: BASIC DESIGN STUDY ON THE PROJECT FOR THE REHABILITATION OF BRIDGES ON THE RING ROAD IN THE EFATE ISLAND	TITLE: DETAILS OF UPPER&LOWER CONNECTION (RENTAPAO BRIDGE)	DRAWING NO: 25
	GOVERNMENT OF THE REPUBLIC OF VANUATU PUBLIC WORKS DEPARTMENT			

