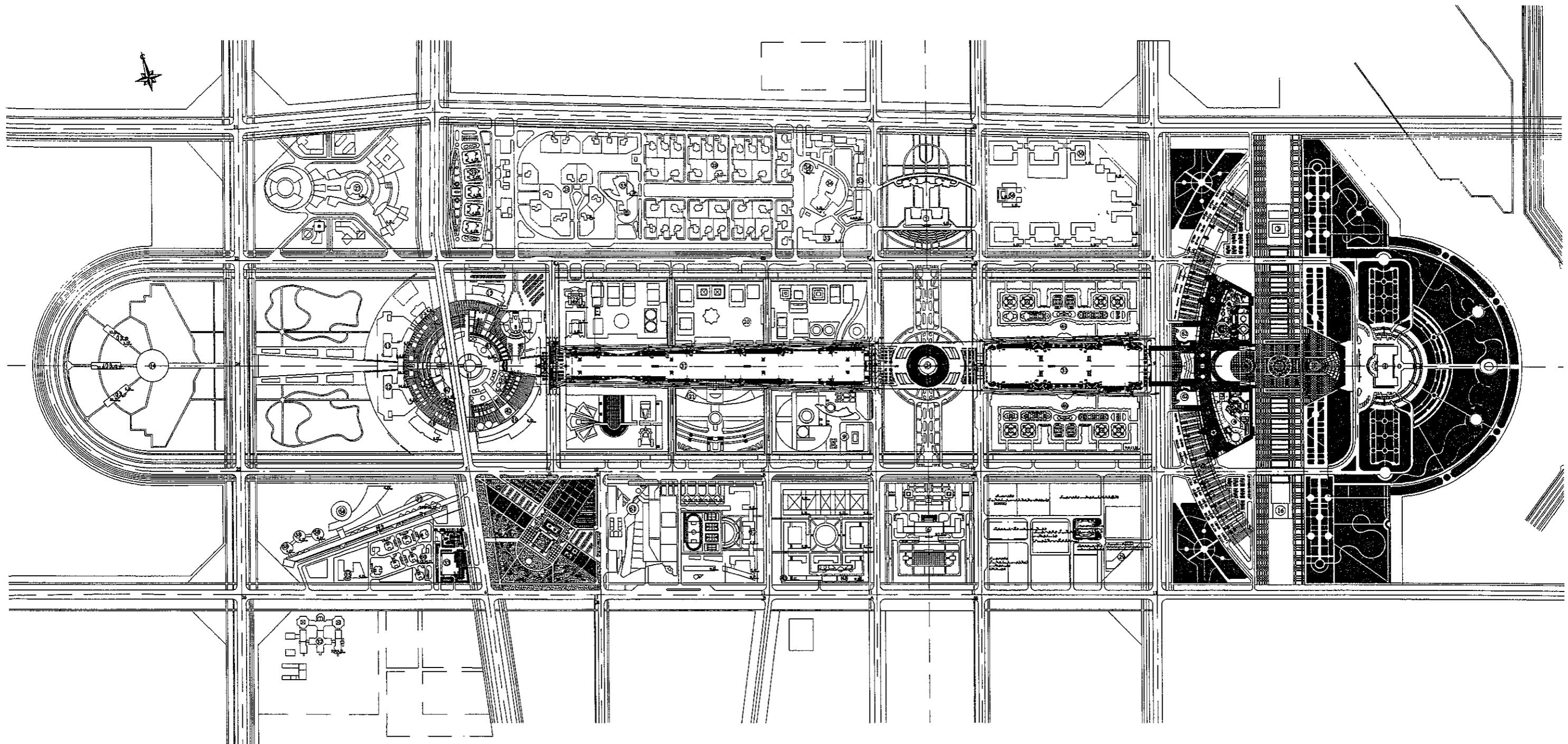
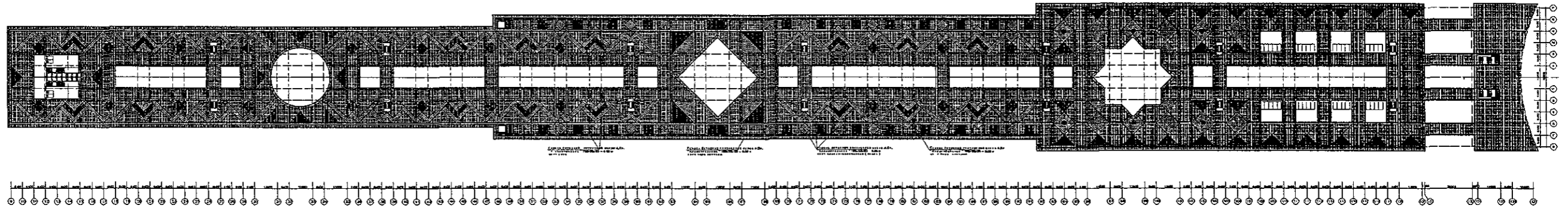


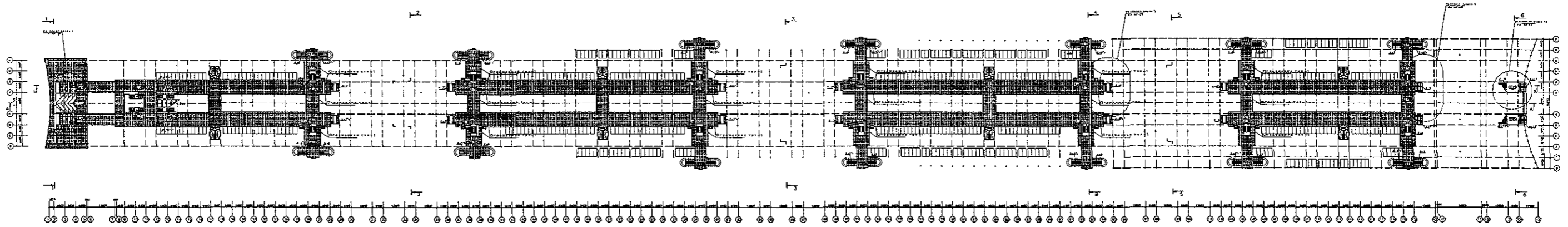
ATTACHMENT
(ASTANAGENPLAN's PLAN OF PEDESTRIAN DECK)



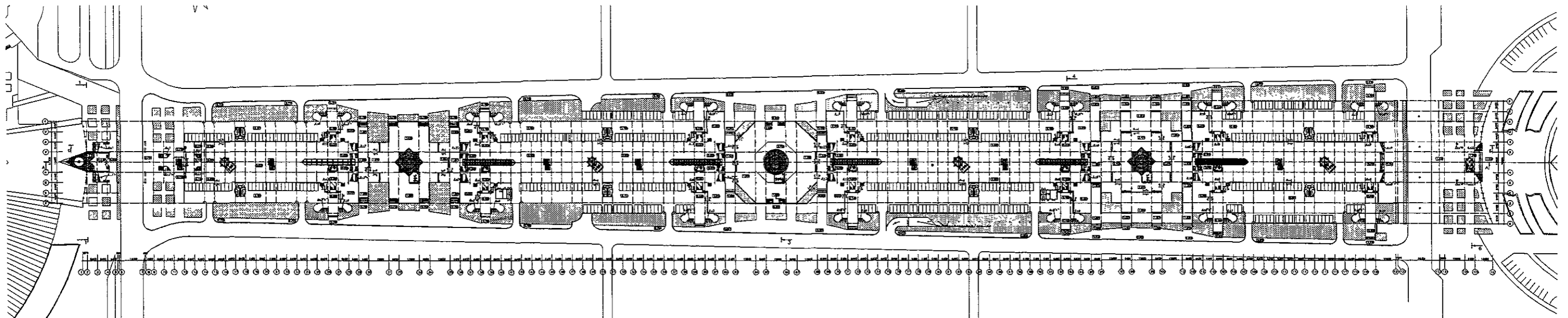
- | | | | |
|-------------------------------|--|--|---|
| 1 Presidential Residence | 15 Eurasia Bank of RK | 30 Etalon center | 46 Administrative-Residential Complex with Extension |
| 2 Senate | 16 Concert Hall | 31 Boulevard | 47 Mansion with KBO |
| 3 Mazhilis | 17 Complex of Administration Buildings | 32 Research Institute of Emargency Service with Clinic | 48 100 apartments mansion for MORK in Astana |
| 4 Administration Building | 18 Complex of Administration Buildings | 33 Cardiologic Center | 49 Housing Complex on the left bank of the Ishim River in Astana No.4,5 |
| 5 Supreme Court | 19 Complex of Administration Buildings | 34 Polyclinic | 50 Housing Complex No.3 |
| 6 Ministry of Defense | 20 Business Center | 35 Polyclinic for 100visitors per one-time work shift | 51 Mansion |
| 7 Ministry of Foreign Affairs | 21 Culture and Amusement Center | 36 Recreational Center | 52 Mansion |
| 8 MoTC | 22 Administration Building | 37 Housing Complex No.6 | 53 Hotel |
| 9 National Library | 23 Mikhrab | 38 Administration Building | 54 School (municipal housing) |
| 10 State Archive | 24 Astana-Baiterek | 39 Shopping Center | 55 International School for permanent education |
| 11 Kaztransoil | 25 Hotel Complex | 40 Shopping Center | 56 School of Future |
| 12 Kazakhoil | 26 Diplomatic City | 41 Shopping Center | 57 Kindergarden |
| 13a Academy of Science of RK | 27 Diplomatic City | 42 KBO | 58 Garages |
| 13b Academy of Science of RK | 28 Diplomatic City | 43 Housing Complex No.1 | 59 Office Building for Diplomatic Missions |
| 13c Academy of Science of RK | 29 Complex of technical devices | 44 Housing Complex No.2 | 60 Municipal Housing on the left bank of the Ishim River in Astana No.4,5 |
| 14 Academy of Science of RK | of Government Communications | 45 Administrative-Residential Complex with Extension | 61 Complex of Kazakh State University of Humanity Studies |
| | | | 62 Hotel Complex |



3F PLAN

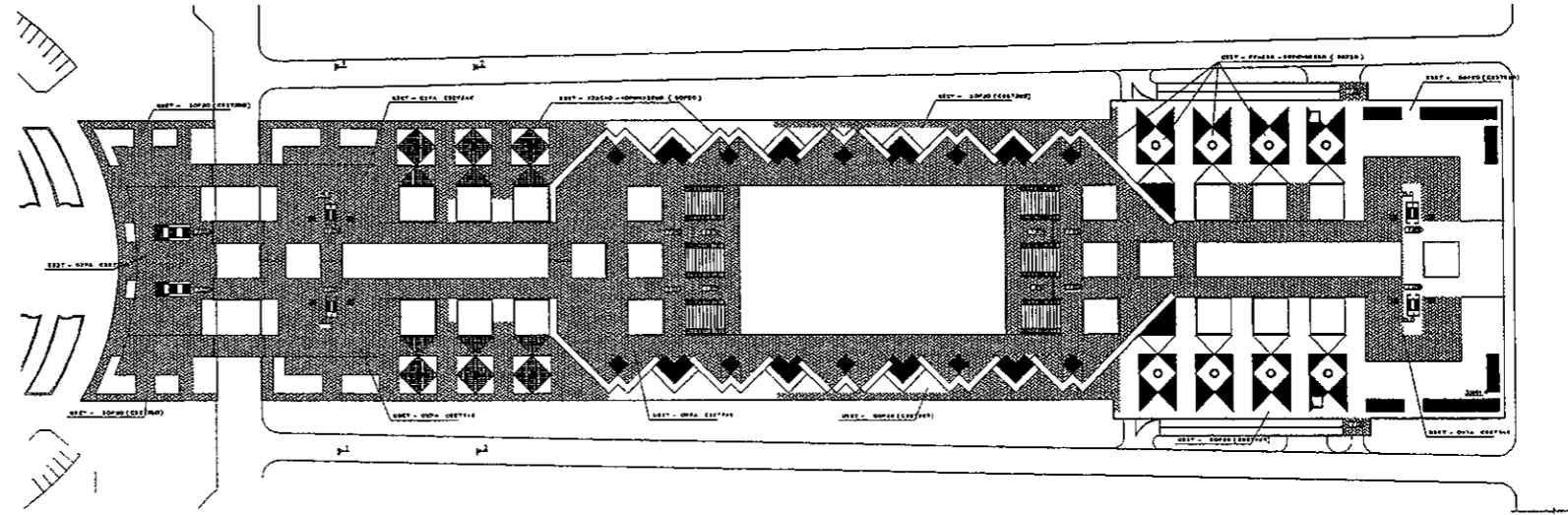
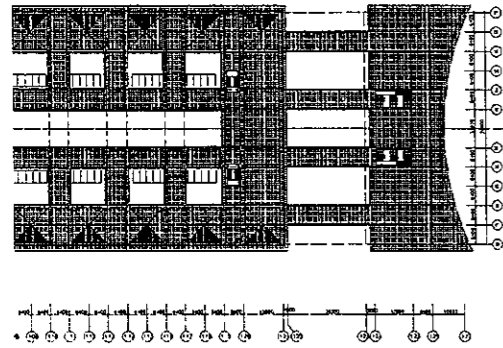


2F PLAN

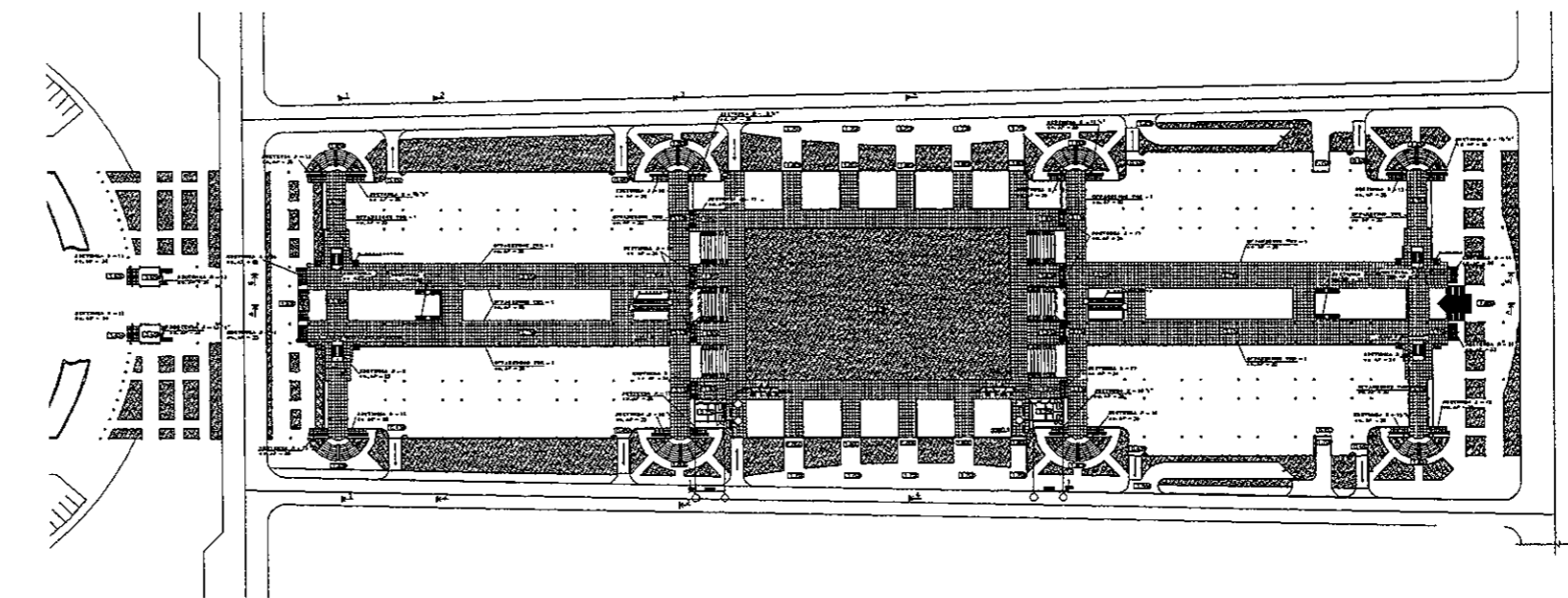
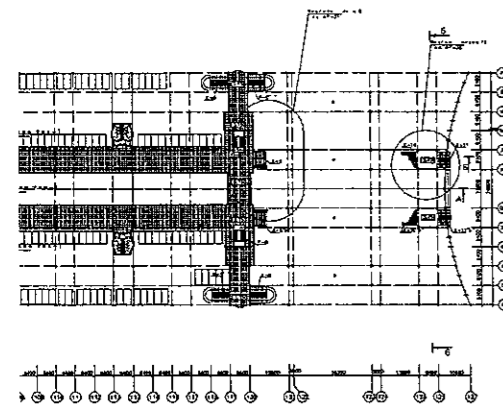


1F PLAN

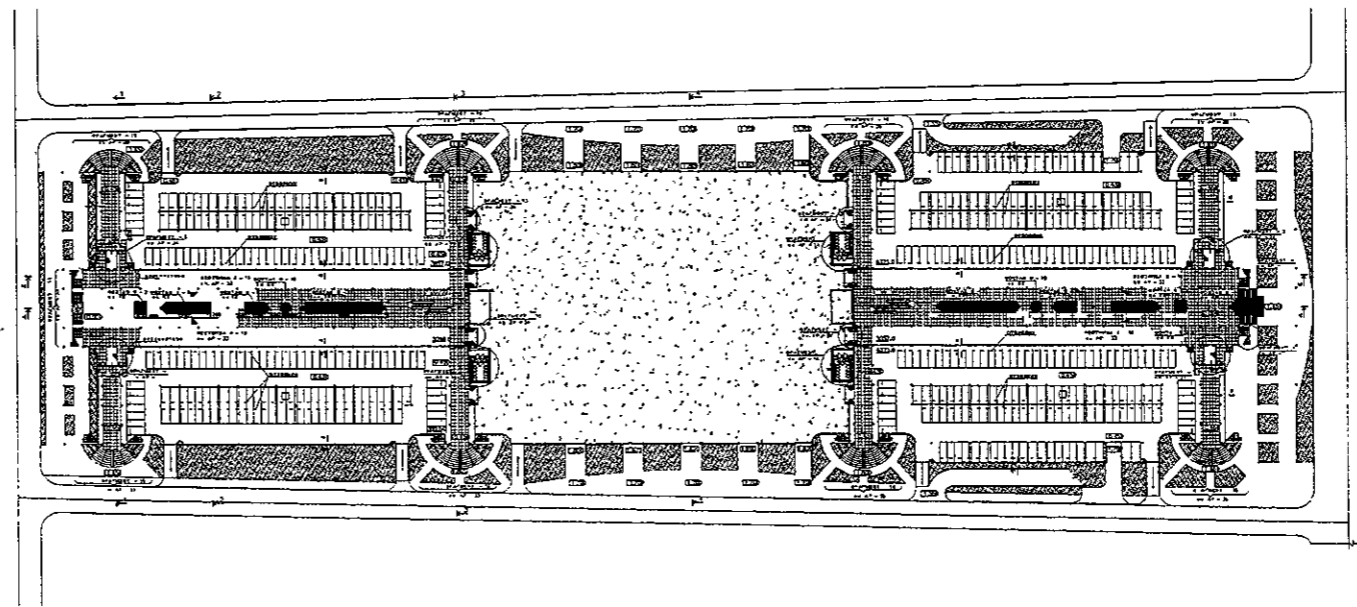
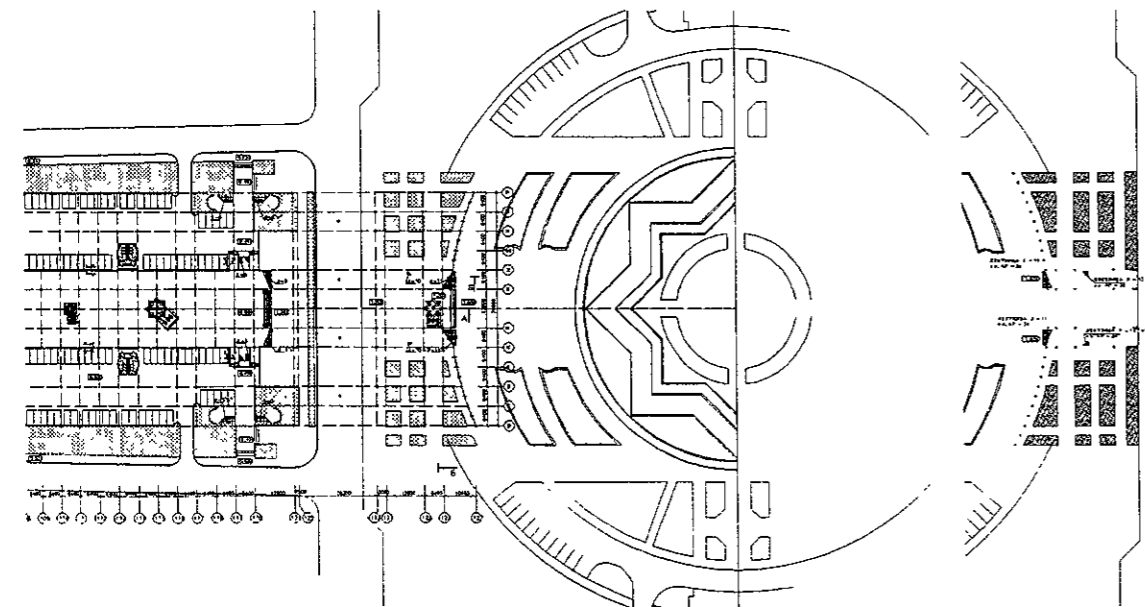




3F PLAN

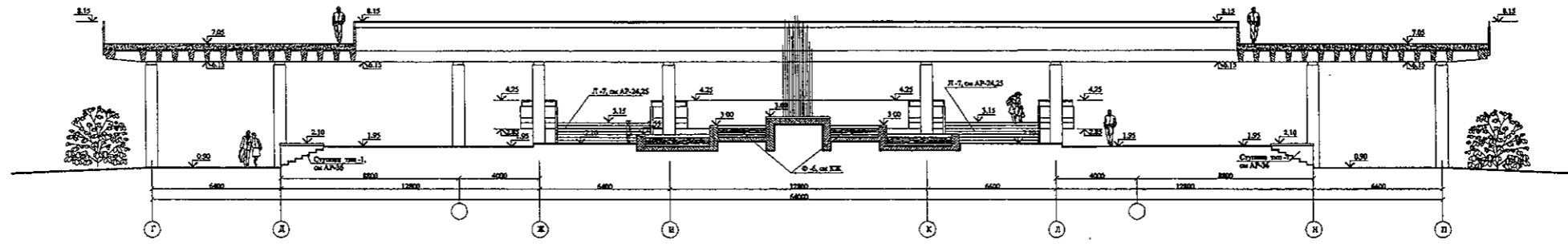


2F PLAN

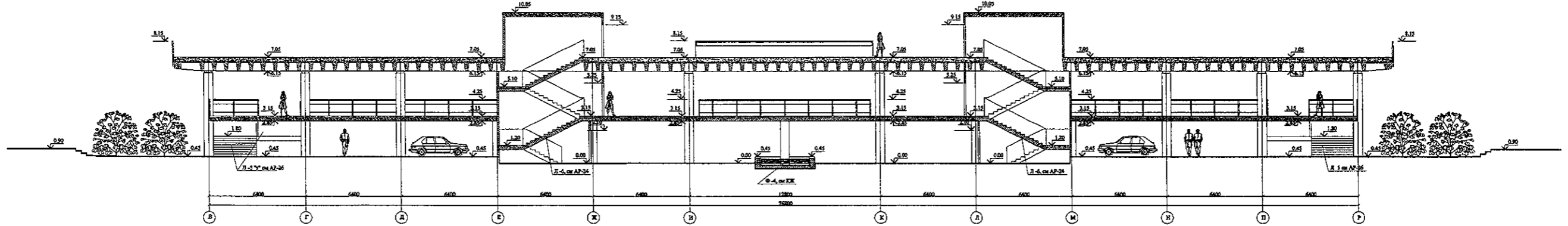


1F PLAN

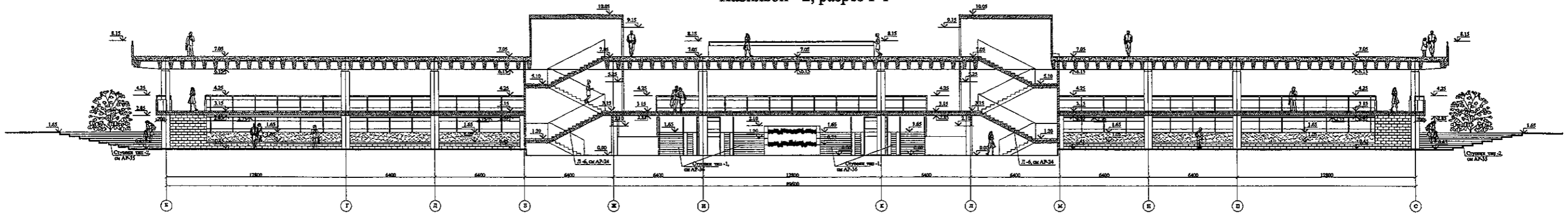
Павильон - 1, разрез 3-3



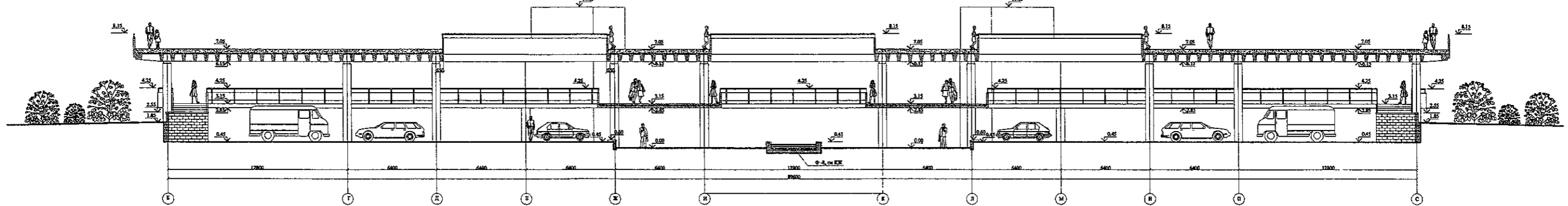
Павильон - 1, разрез 4-4

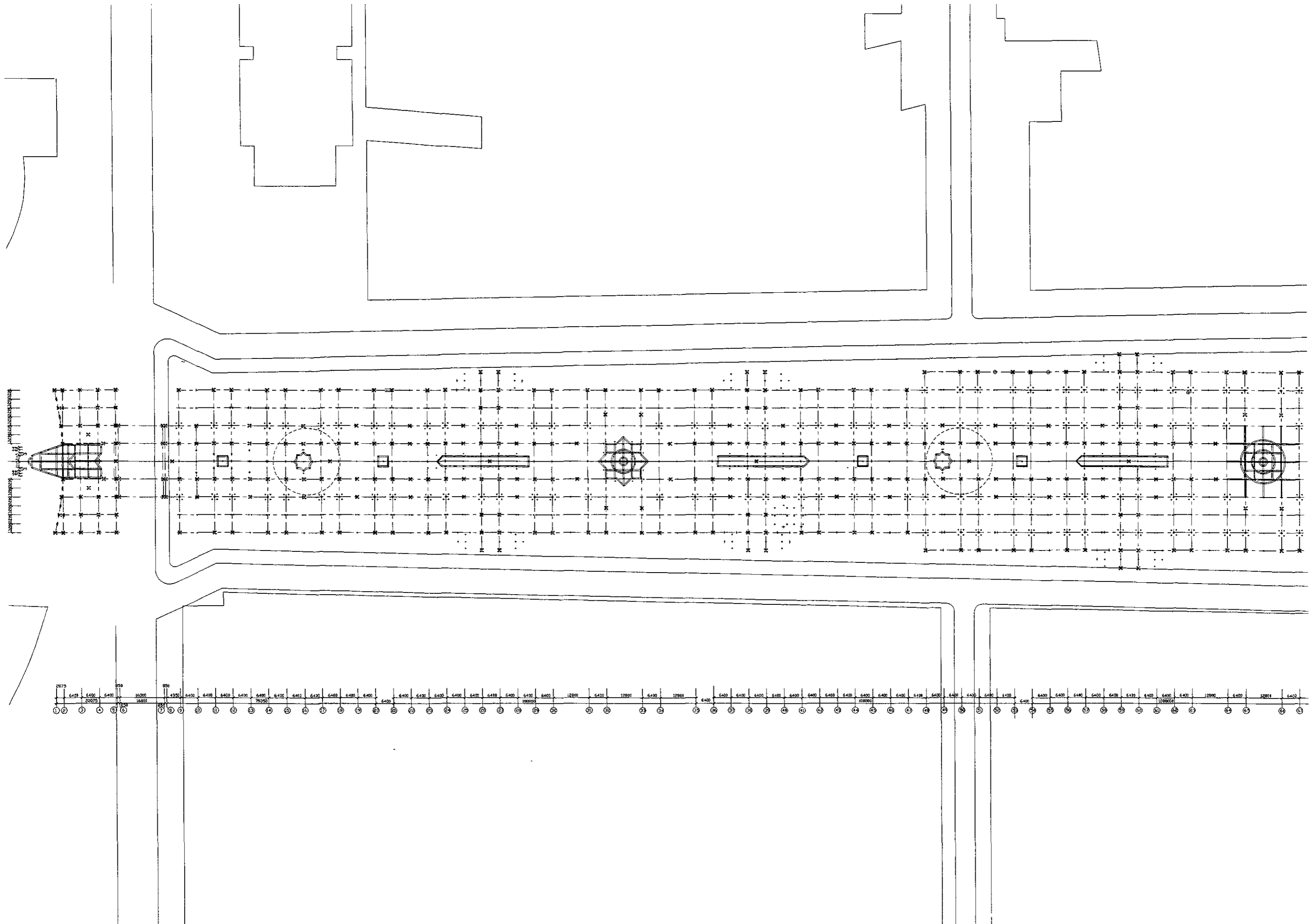


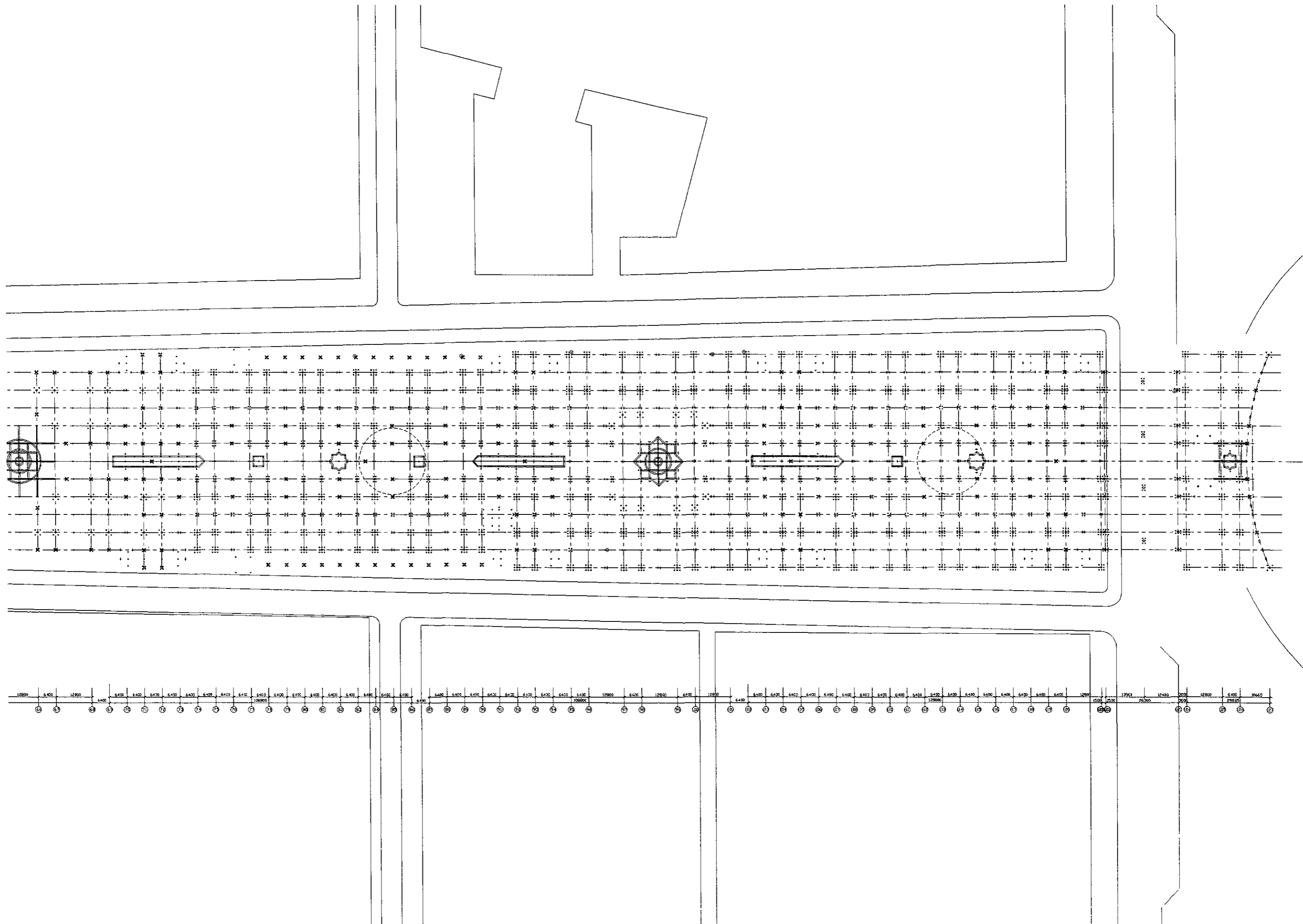
Павильон - 2, разрез 1-1



Павильон - 2, разрез 2-2







JICA