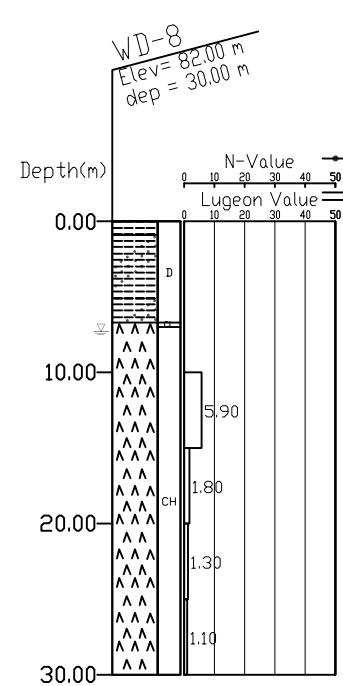
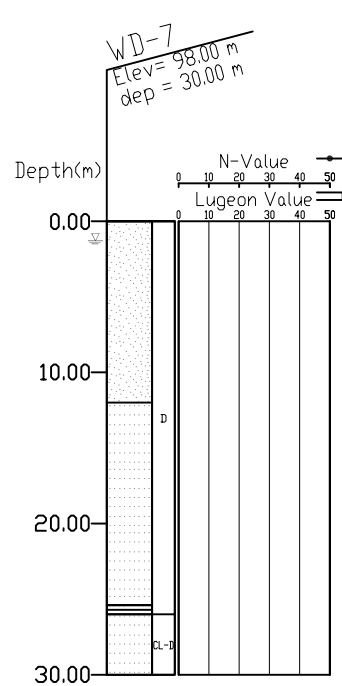
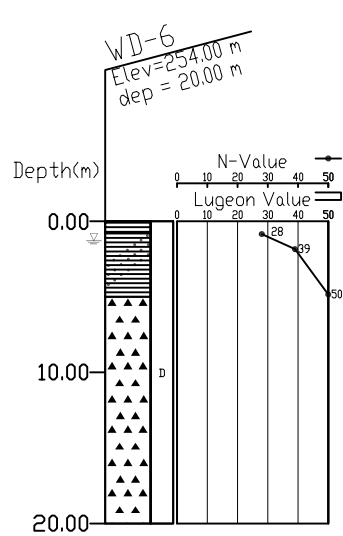
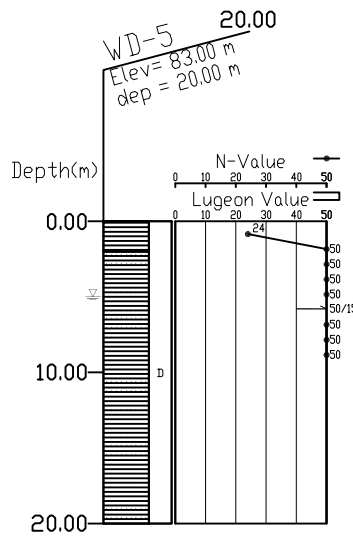
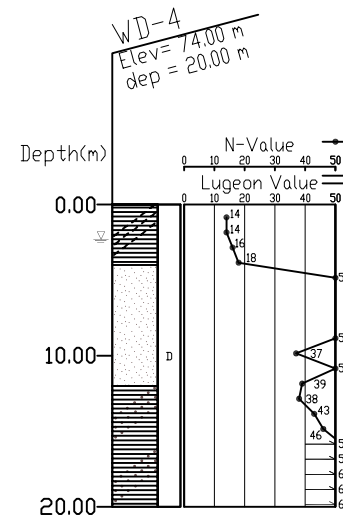
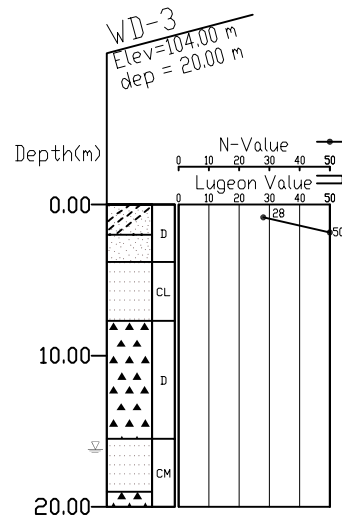
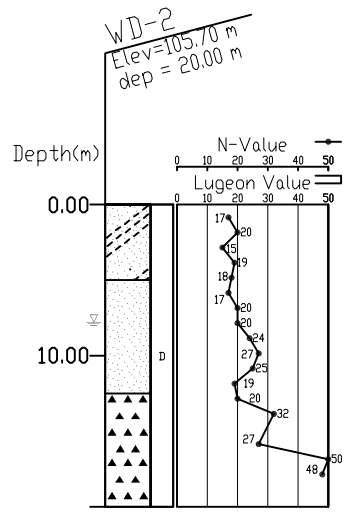
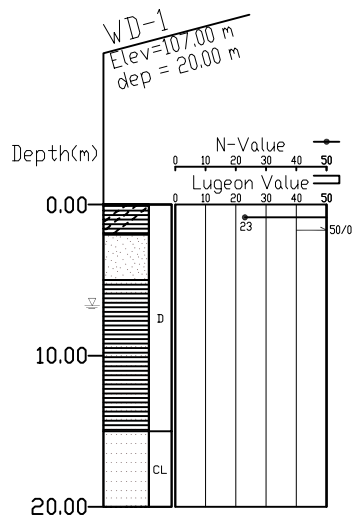


Summarized Borehole Log (Waterway Tunnel No.1)

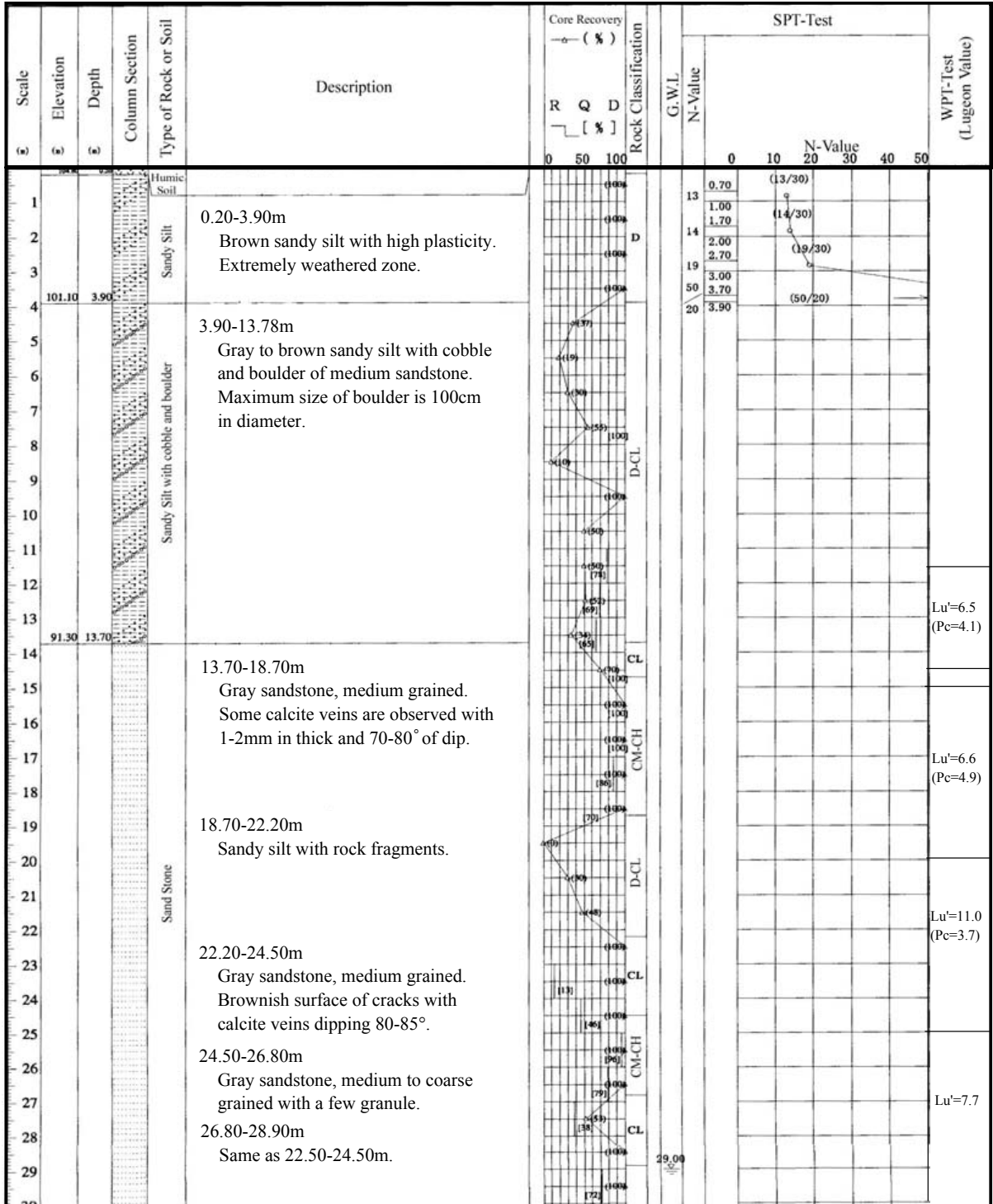


LEGEND

- Sandstone
- Conglomerate
- Shale
- Mudstone
- Alternation of Conglomerate and Sandstone
- Alternation of Sandstone and Shale
- Alternation of Conglomerate and Shale
- Limestone
- Tuff Breccia
- Basalt
- Fault
- Sand and Gravel
- Gravelly Sand
- Sand with Gravel
- Sand
- Silty Sand with Gravel
- Silty Sand
- Sandy Silt with Gravel
- Gravelly Silt
- Sandy Silt
- Silt
- Clayey Silt
- Sandy Clay
- Silty Clay
- Clay
- Humic Soil

Summarized Borehold Log (Water Treatment Plant)

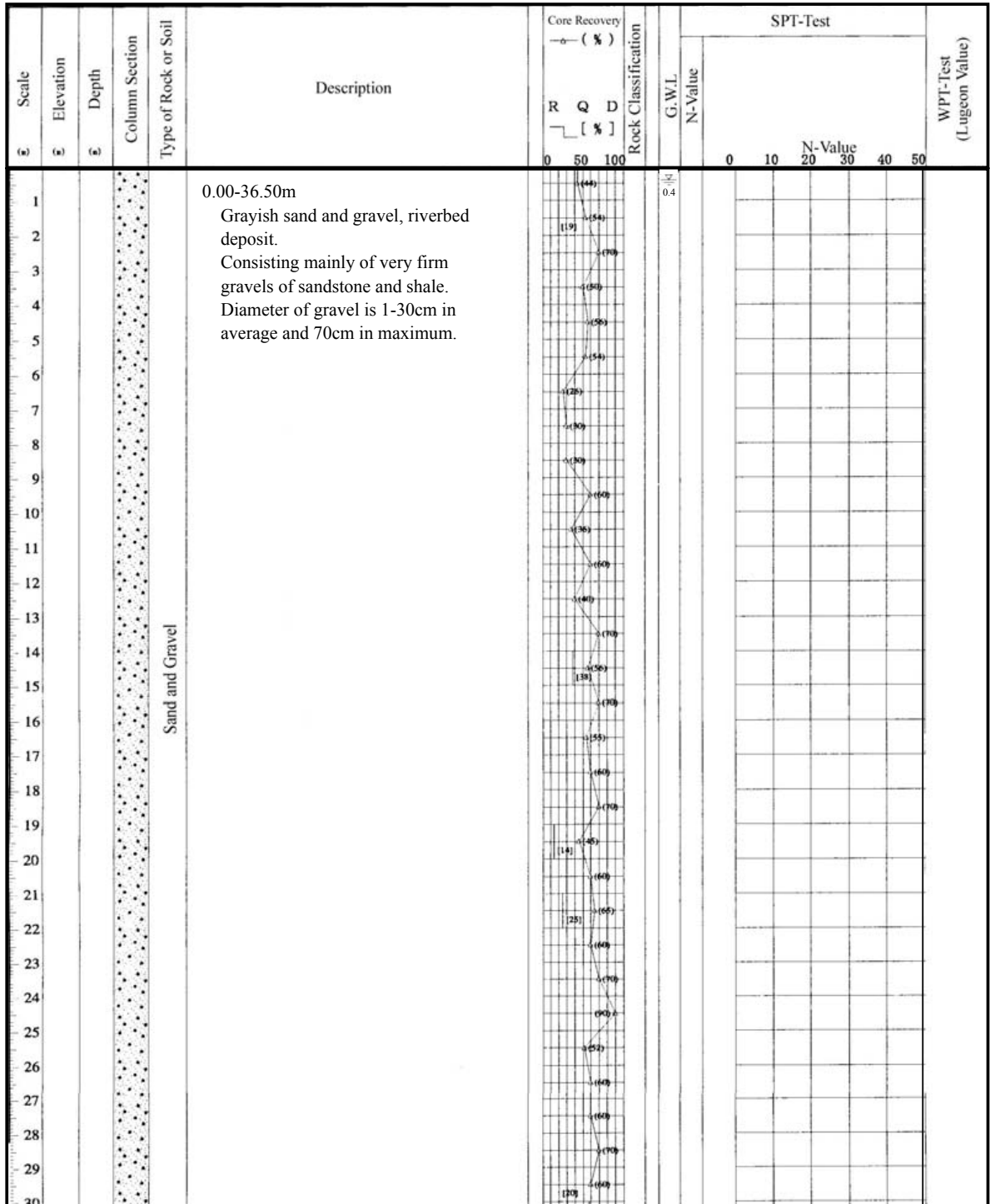
PROJECT	Study on Water Resources Development for Metro Manila		DEPTH	50.00m	ELEVATION	105.00m	
SITE	Agos Damsite	COORDINATE	N 1,625,000 ; E 557,185	INCLINATION	Vertical	DRILL RIG	TS-50
CASING DEPTH	12.50m	DATE		DRILLED	S.Eclera		



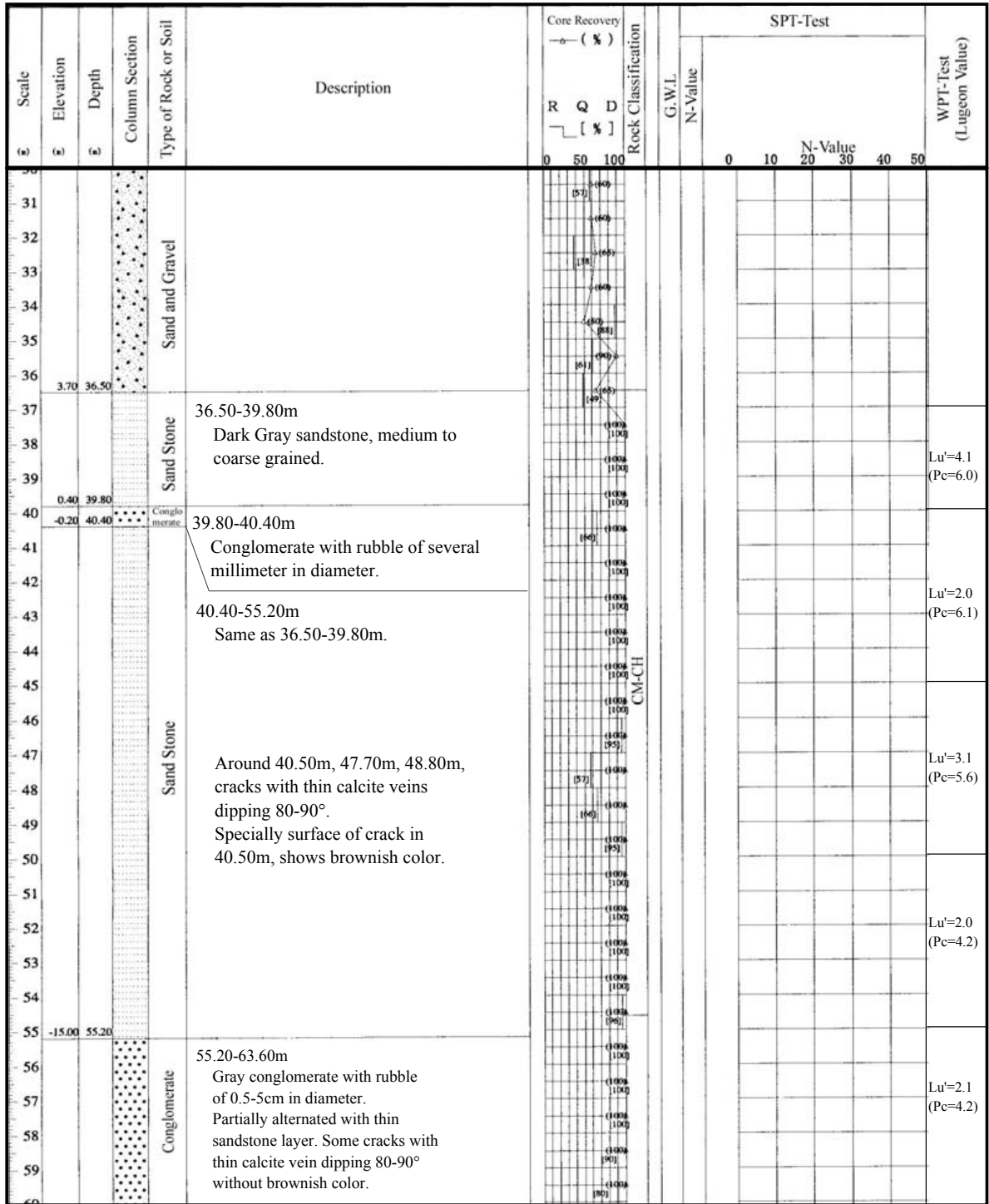
PROJECT	Study on Water Resources Development for Metro Manila		DEPTH	50.00m	ELEVATION	105.00m	
SITE	Agos Damsite	COORDINATE	N 1,625,000 ; E 557,185	INCLINATION	Vertical	DRILL RIG	TS-50
CASING DEPTH	12.50m	DATE		DRILLED	S.Eclera		

Scale (m)	Elevation (m)	Depth (m)	Column Section	Type of Rock or Soil	Description	Core Recovery — (%) R Q D [%]	Rock Classification	G.W.L.	SPT-Test				WPT-Test (Lugeon Value)						
									N-Value										
									0	10	20	30	40	50					
30					28.90-50.00m														
31				Sand Stone	Gray sandstone, medium to coarse grained. Cracky in 30.80-33.10m and 43.0-50.00m with calcite vein of 70-80° dip. Below 35.40m, calcite vein rich dipping 30-50° and 70-80°.	(100)											Lu'=5.4 (Pc=7.4)		
32						(100)													
33						(100)													
34						(100)													
35						(100)													
36						(100)													
37						(100)													Lu=3.7
38						(100)													
39						(100)													
40						(100)													
41				(100)															
42				(100)	Calcite veins in 42.50-50.00m is pinkish in color.	(100)												Lu'=8.1 (Pc=6.9)	
43				(100)															
44				(100)															
45				(100)															
46				(100)															
47				(100)														Lu'=10.7 (Pc=6.7)	
48				(100)															
49				(100)															

PROJECT	Study on Water Resources Development for Metro Manila		DEPTH	70.00m	ELEVATION	40.20m	
SITE	Agos Damsite	COORDINATE	N 1,624,848 ; E 557,237	INCLINATION	Vertical	DRILL RIG	LY 34
CASING DEPTH	34.60m	DATE		DRILLED	D.Magdua		



PROJECT	Study on Water Resources Development for Metro Manila		DEPTH	70.00m	ELEVATION	40.20m	
SITE	Agos Damsite	COORDINATE	N 1,624,848 ; E 557,237	INCLINATION	Vertical	DRILL RIG	LY 34
CASING DEPTH	34.60m	DATE		DRILLED	D.Magdua		



PROJECT	Study on Water Resources Development for Metro Manila		DEPTH	70.00m	ELEVATION	40.20m	
SITE	Agos Damsite	COORDINATE	N 1,624,848 ; E 557,237	INCLINATION	Vertical	DRILL RIG	LY 34
CASING DEPTH	34.60m	DATE		DRILLED	D.Magdua		

Scale (m)	Elevation (m)	Depth (m)	Column Section	Type of Rock or Soil	Description	Core Recovery — (%) R Q D [%]	Rock Classification	G.W.L N-Value	SPT-Test					WPT-Test (Lugeon Value)	
									N-Value						
60									0	10	20	30	40	50	
61				Conglomerate			CM								
62															Lu'=1.8 (Pc=5.8)
63	-23.40	63.60			63.60-66.90m										
64					Gray sandstone, medium grained.										
65				Sand Stone											
66					66.90-70.00m										
67					Gray sandstone, medium to coarse grained, with some calcite veins dipping 40-80°. In 68.70-68.90m, thin siltstone layer(45°).										Lu'=1.5 (Pc=6.5)
68							CL								
69	-29.80	70.00													