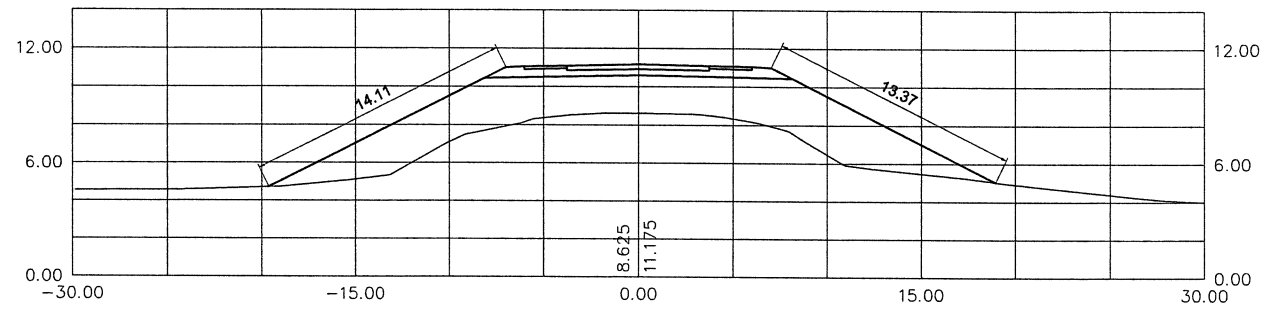


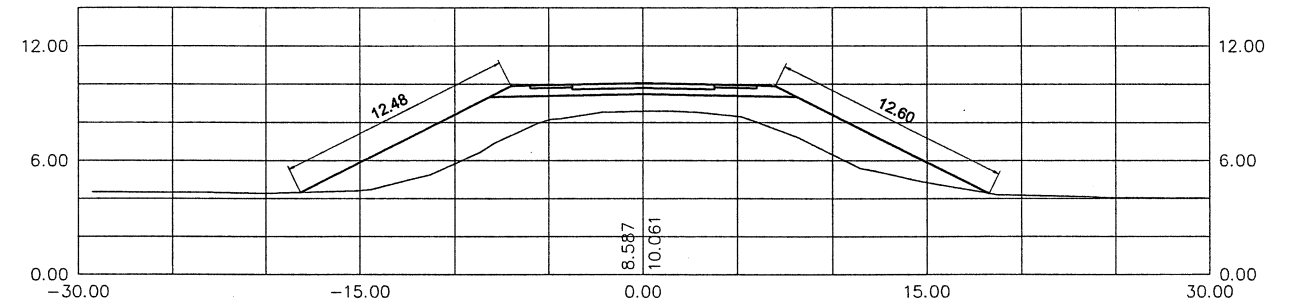
STA. 42+200

77.698 Sq.m.



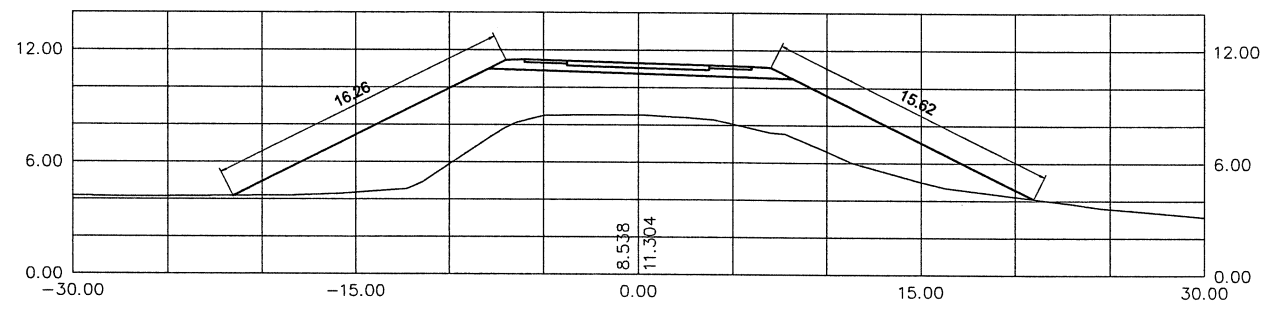
STA. 43+000

52.676 Sq.m.



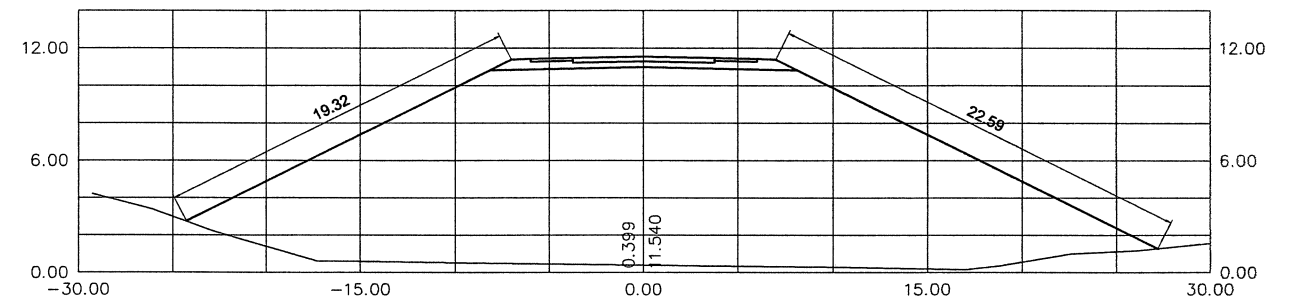
STA. 42+000

103.546 Sq.m.



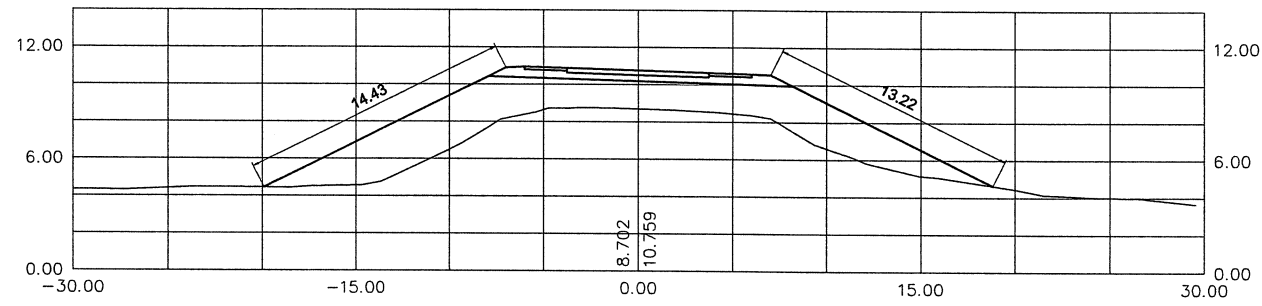
STA. 42+800

368.527 Sq.m.



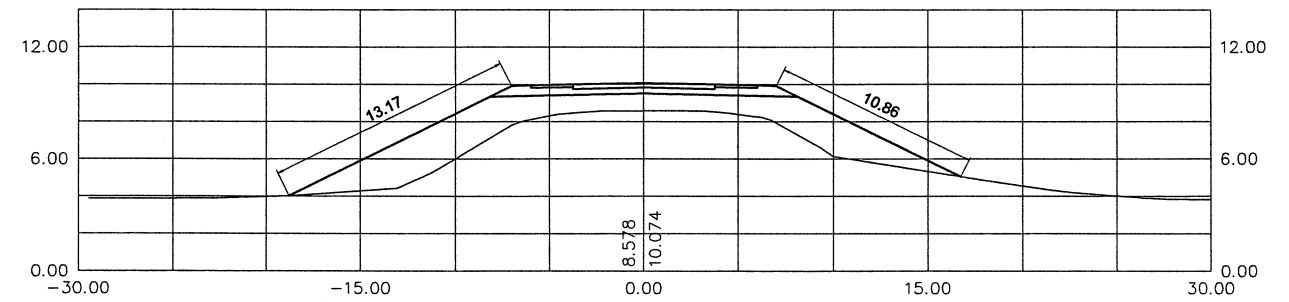
STA. 41+800

70.031 Sq.m.



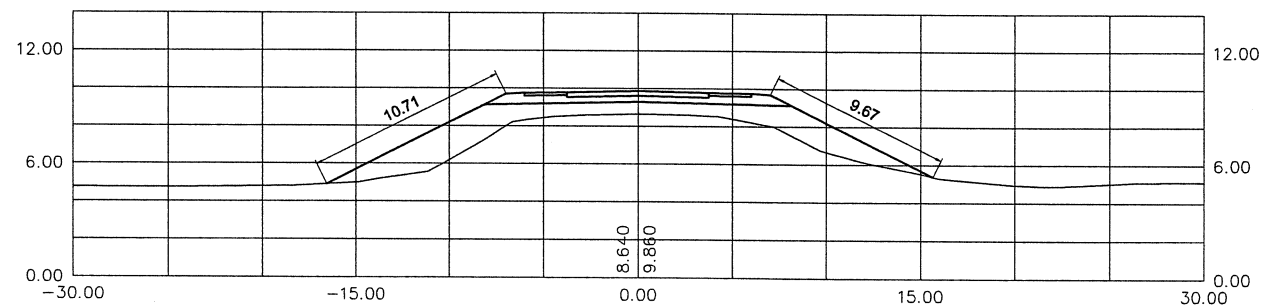
STA. 42+600

48.982 Sq.m.



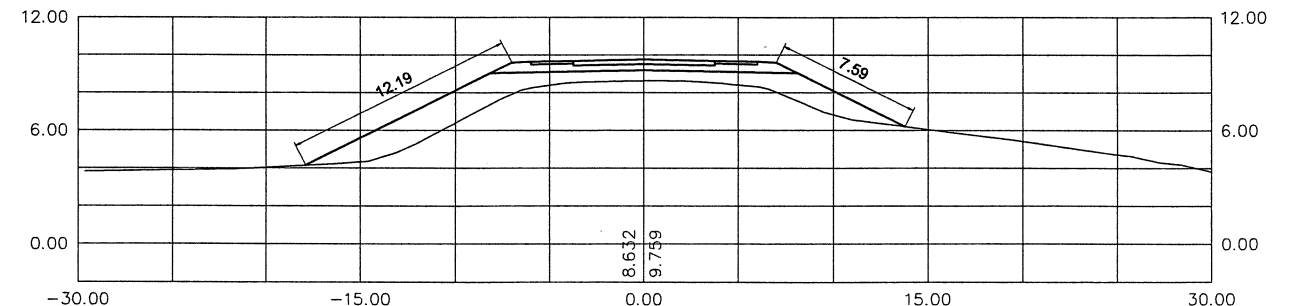
STA. 41+600

32.951 Sq.m.



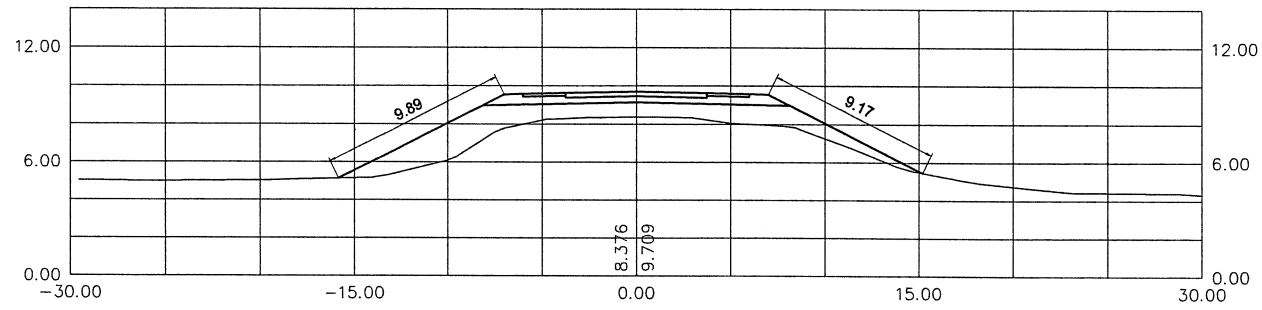
STA. 42+400

30.553 Sq.m.



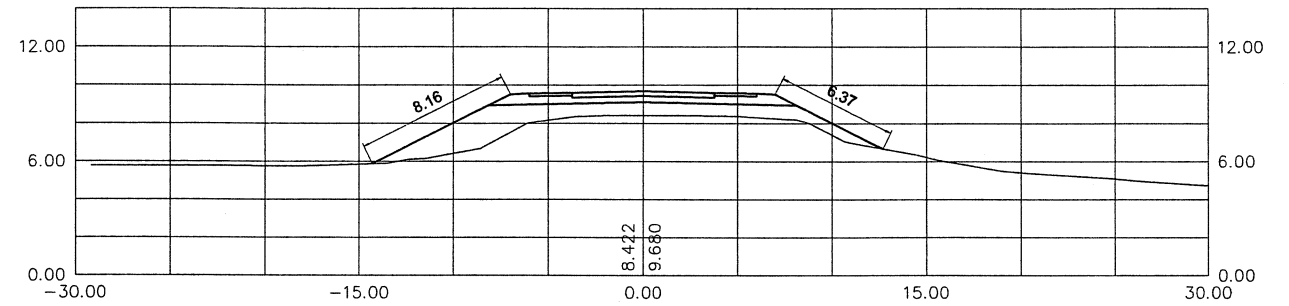
STA. 43+800

29.137 Sq.m.



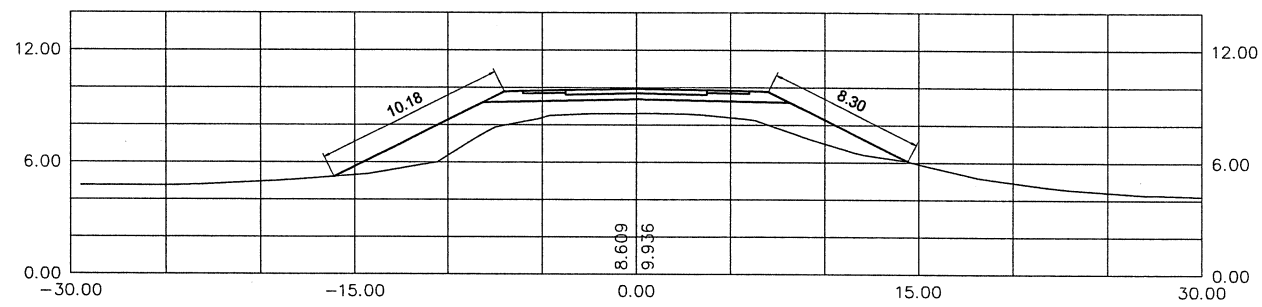
STA. 44+600

22.462 Sq.m.



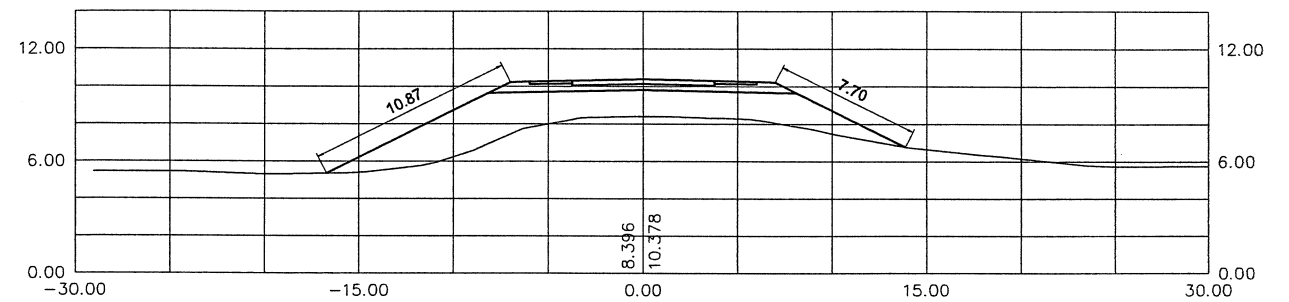
STA. 43+600

31.070 Sq.m.



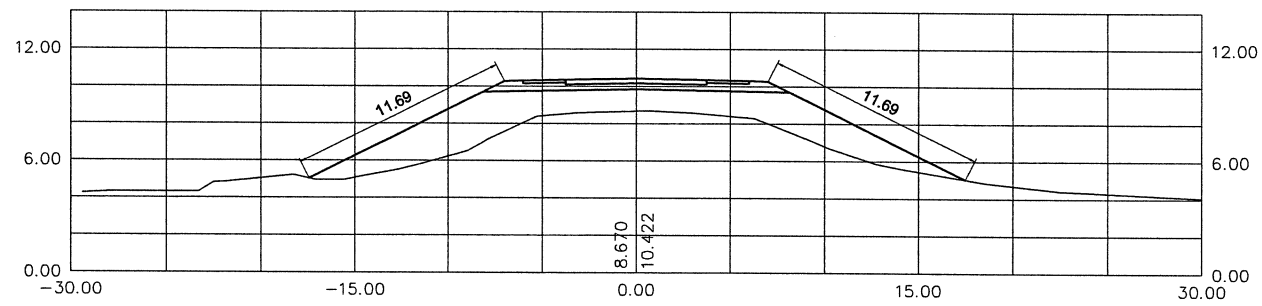
STA. 44+400

45.468 Sq.m.



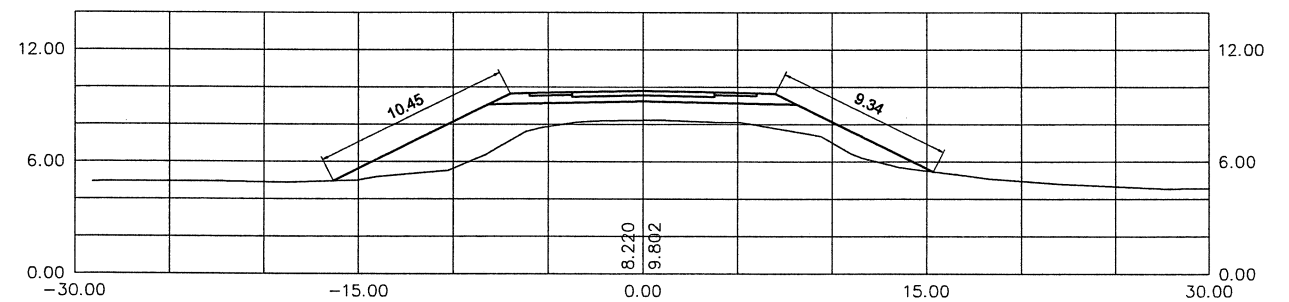
STA. 43+400

51.970 Sq.m.



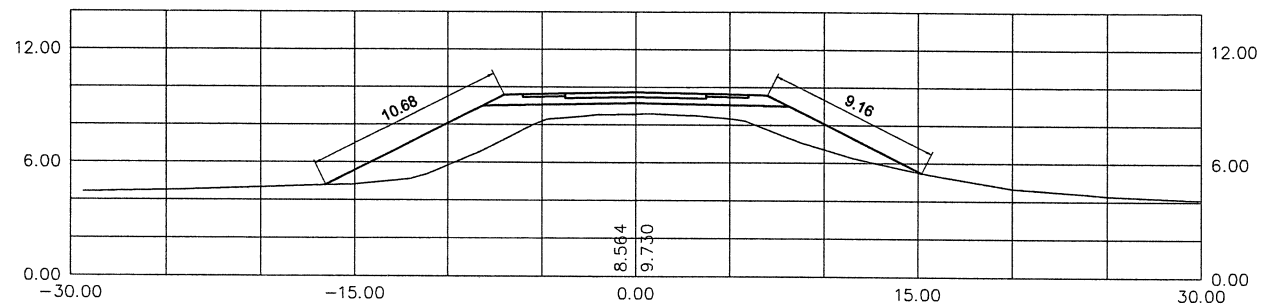
STA. 44+200

39.336 Sq.m.



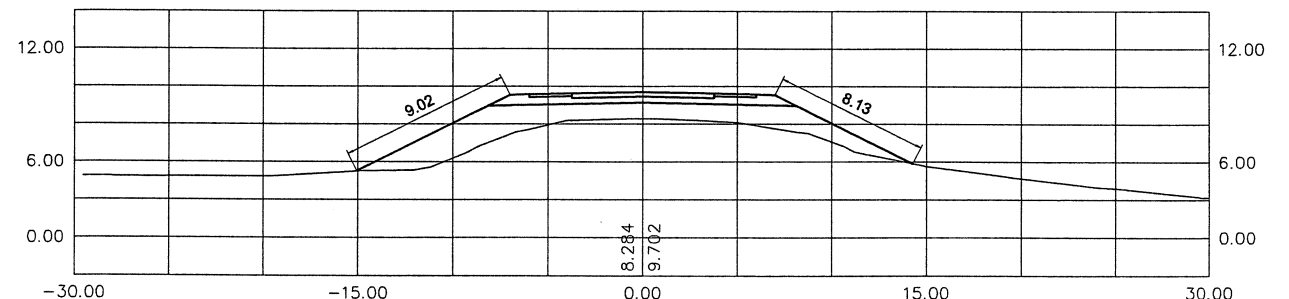
STA. 43+200

34.653 Sq.m.



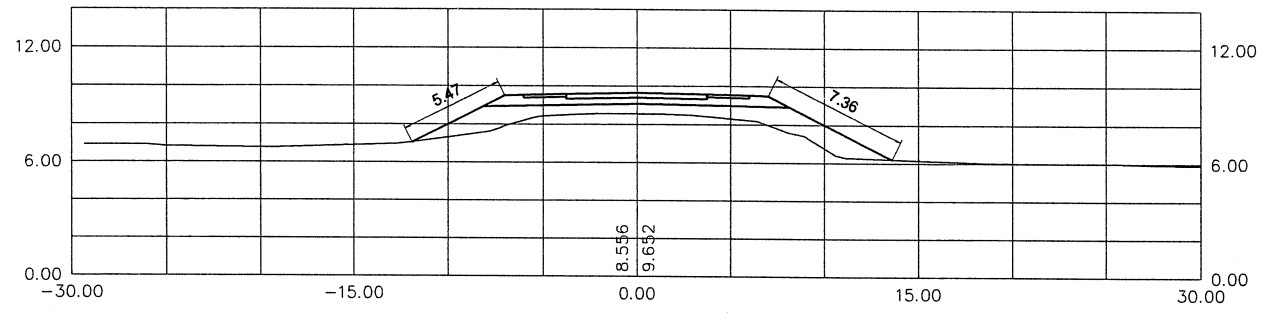
STA. 44+000

30.896 Sq.m.



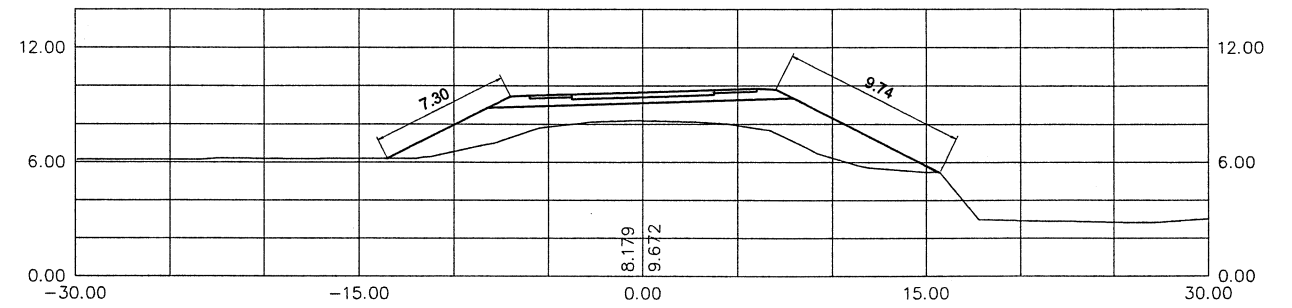
STA. 45+400

18.693 Sq.m.



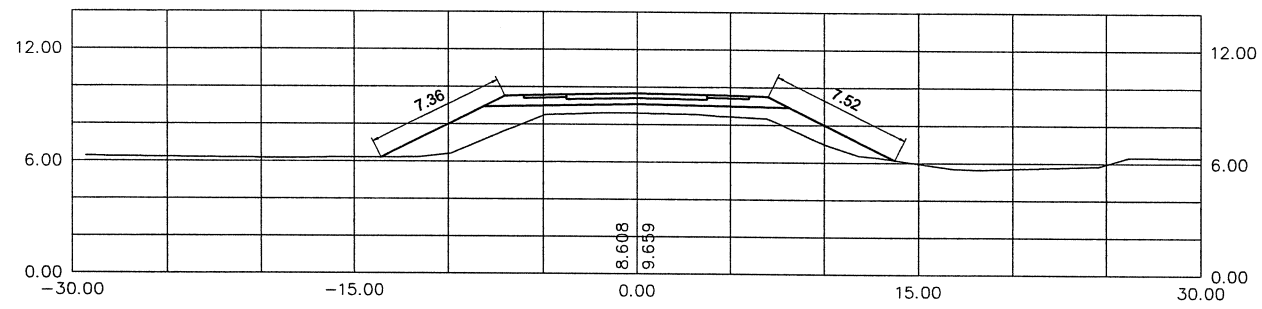
STA. 46+200

36.980 Sq.m.



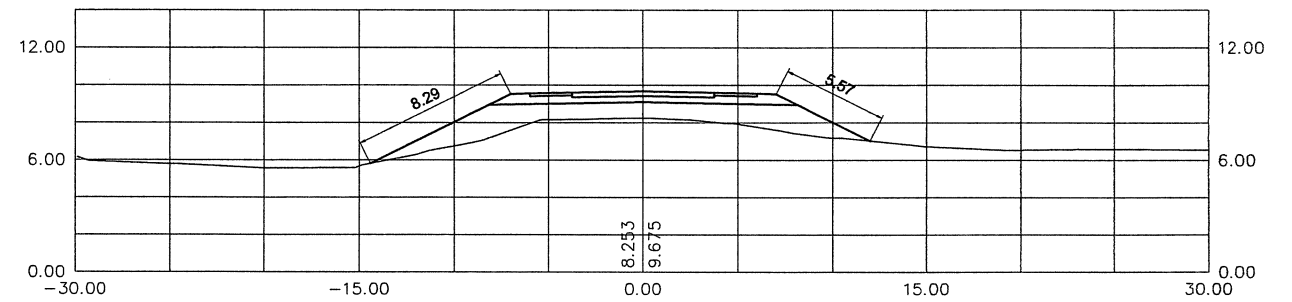
STA. 45+200

20.928 Sq.m.



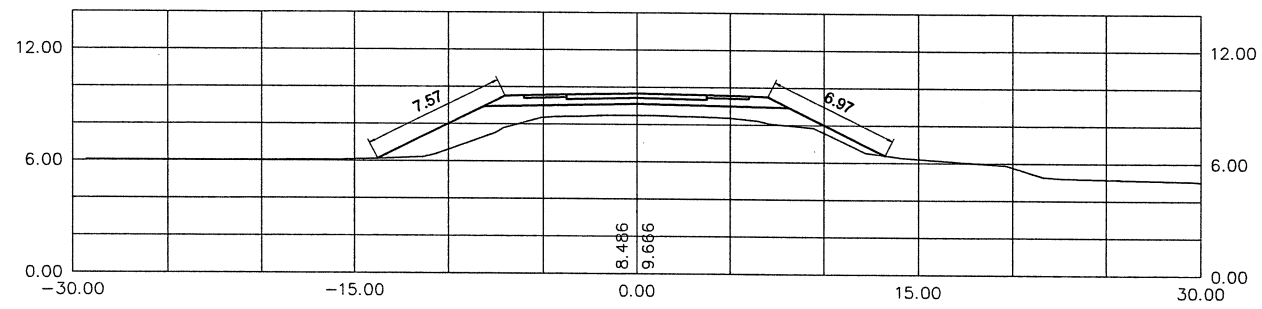
STA. 46+000

25.661 Sq.m.



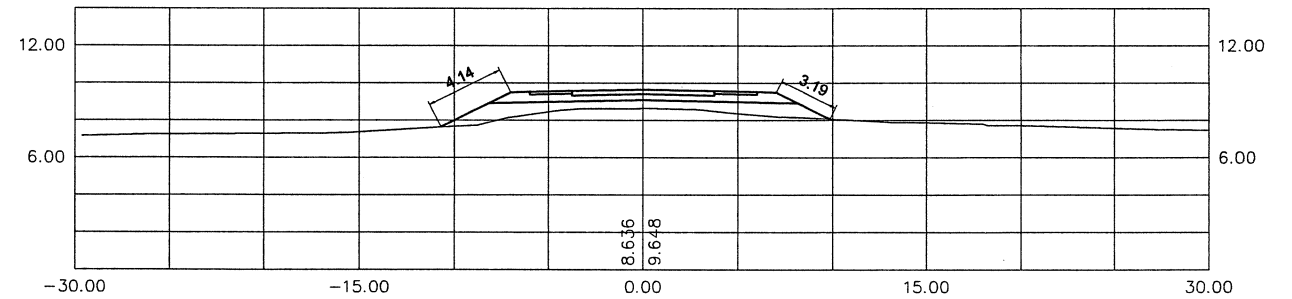
STA. 45+000

20.080 Sq.m.



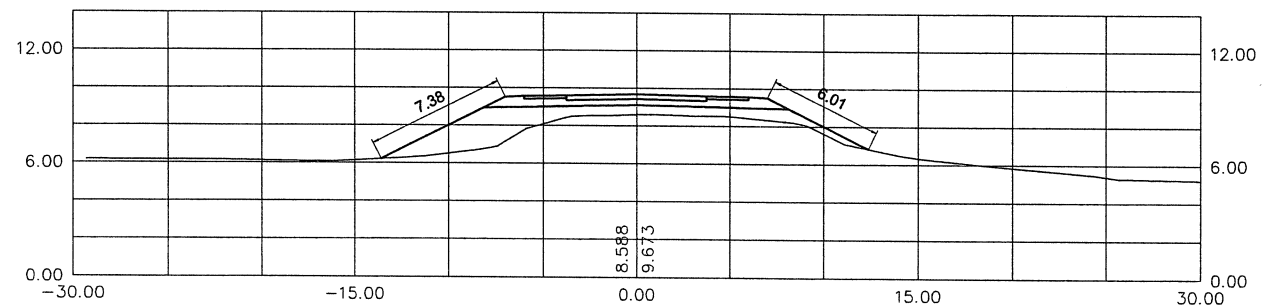
STA. 45+800

11.242 Sq.m.



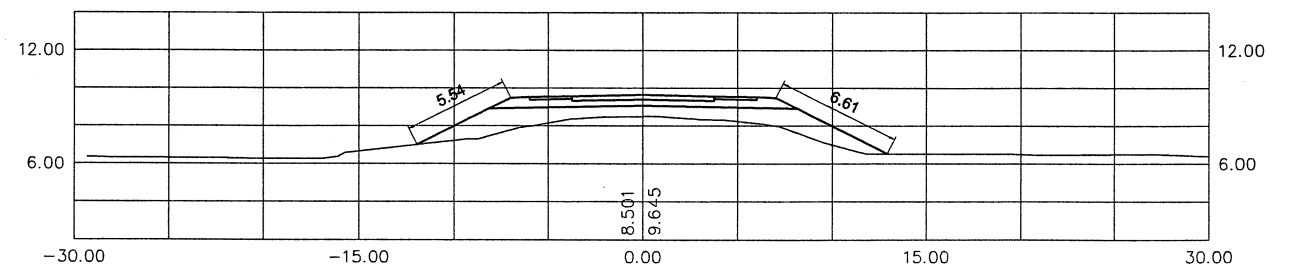
STA. 44+800

19.942 Sq.m.



STA. 45+600

19.340 Sq.m.



MINISTRY OF  
PUBLIC WORKS AND TRANSPORT  
(MPWT)

THE FEASIBILITY STUDY ON THE  
IMPROVEMENT OF NATIONAL ROAD NO.1  
(PHNOM PENH-NEAK LOUENG SECTION)  
IN THE KINGDOM OF CAMBODIA

JAPAN INTERNATIONAL COOPERATION AGENCY  
PACIFIC CONSULTANTS INTERNATIONAL &  
KATAHIRA & ENGINEERS INTERNATIONAL

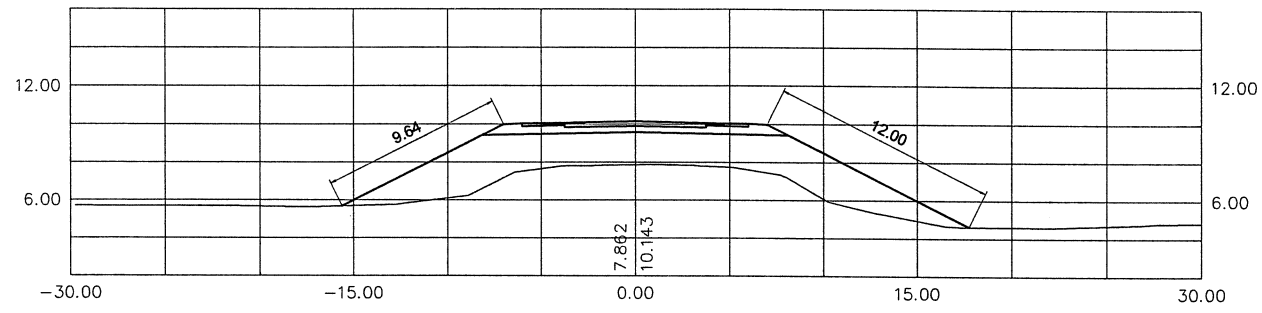
TITLE :  
CROSS SECTION  
CH. 44km+800m - CH.46km+200m

SCALE  
1/400

Drawing No.  
B-113

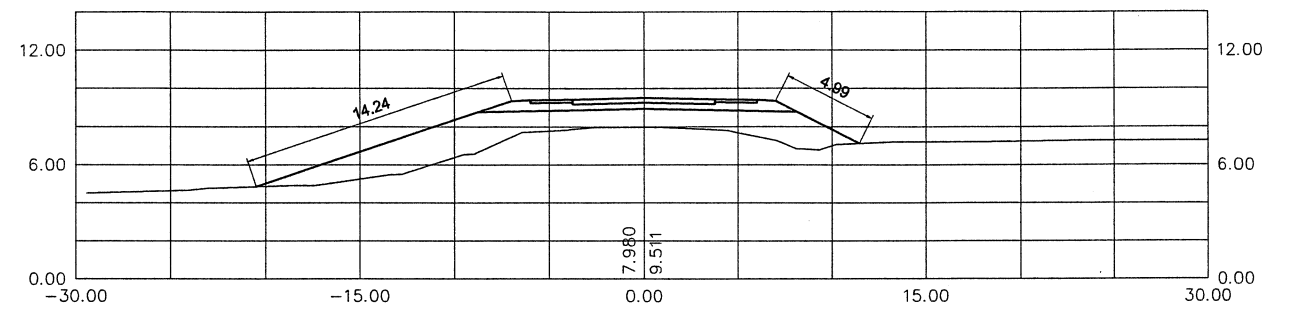
STA. 47+000

57.228 Sq.m.



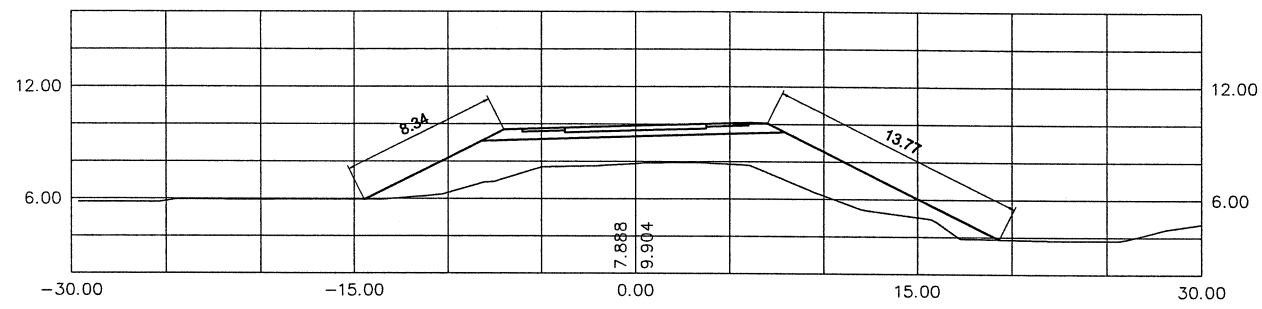
STA. 47+800

39.149 Sq.m.



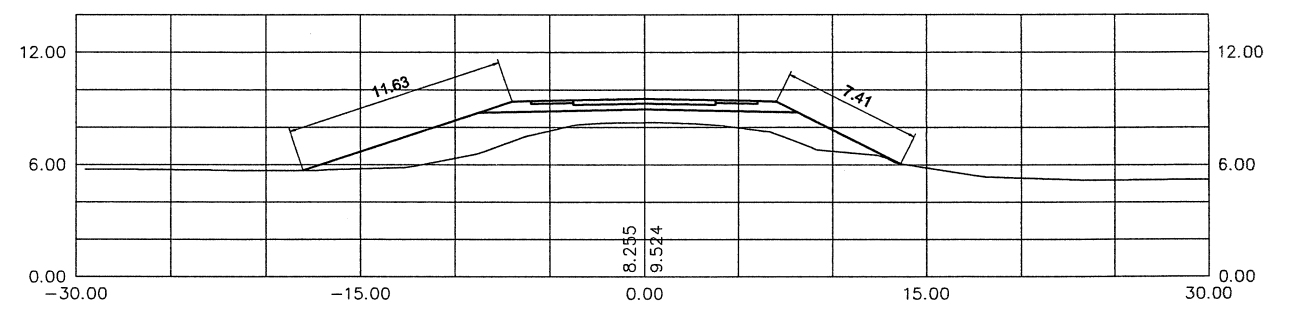
STA. 46+800

51.969 Sq.m.



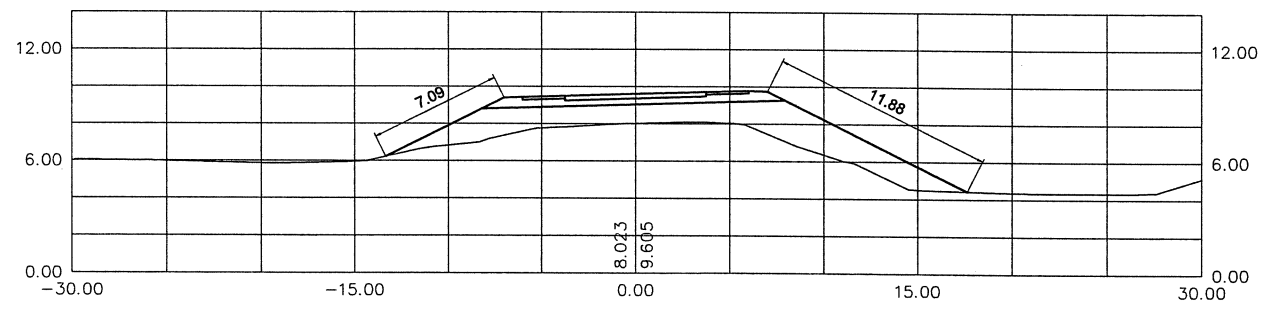
STA. 47+600

33.087 Sq.m.



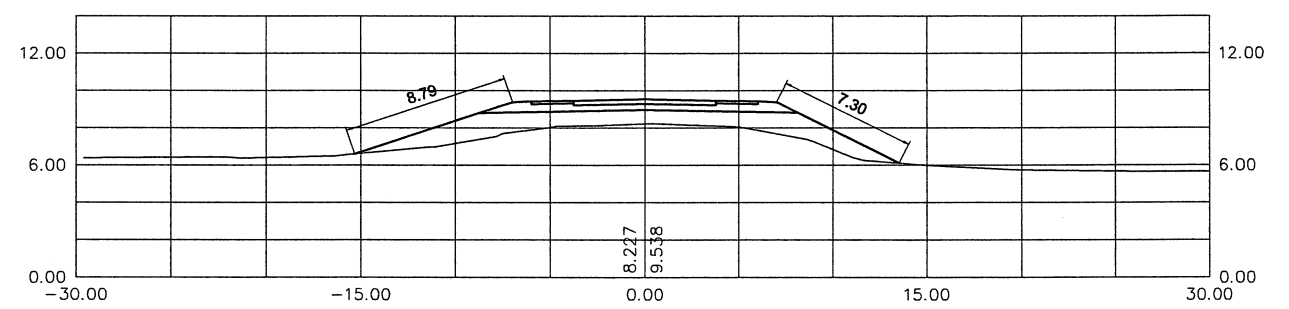
STA. 46+600

37.363 Sq.m.



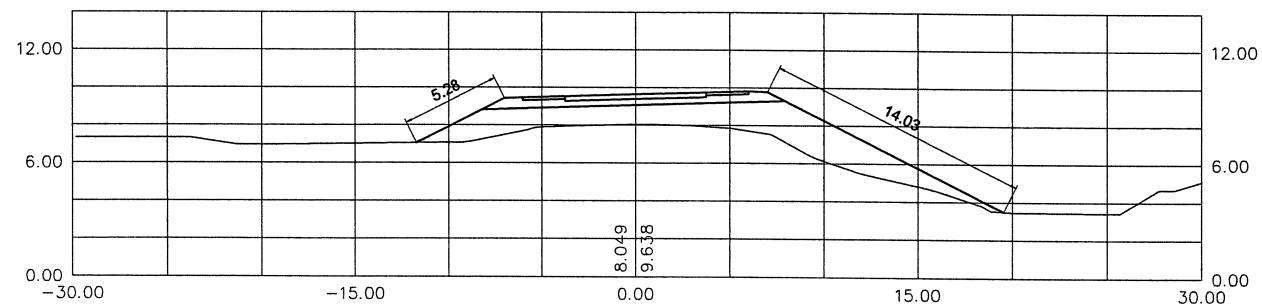
STA. 47+400

24.681 Sq.m.



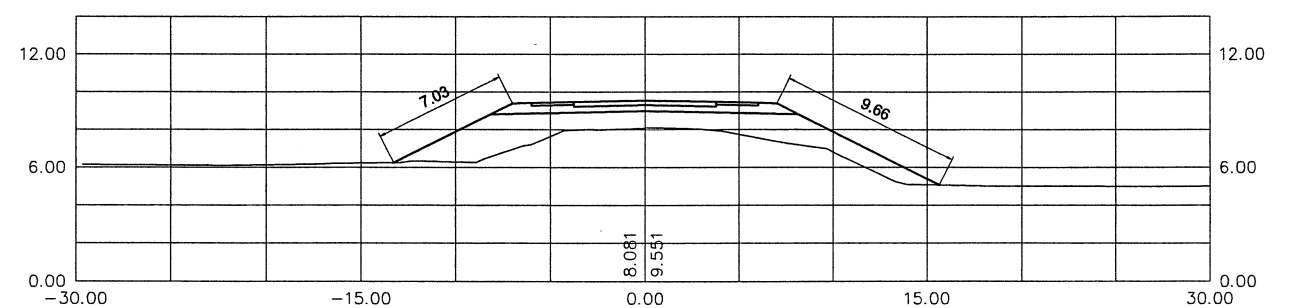
STA. 46+400

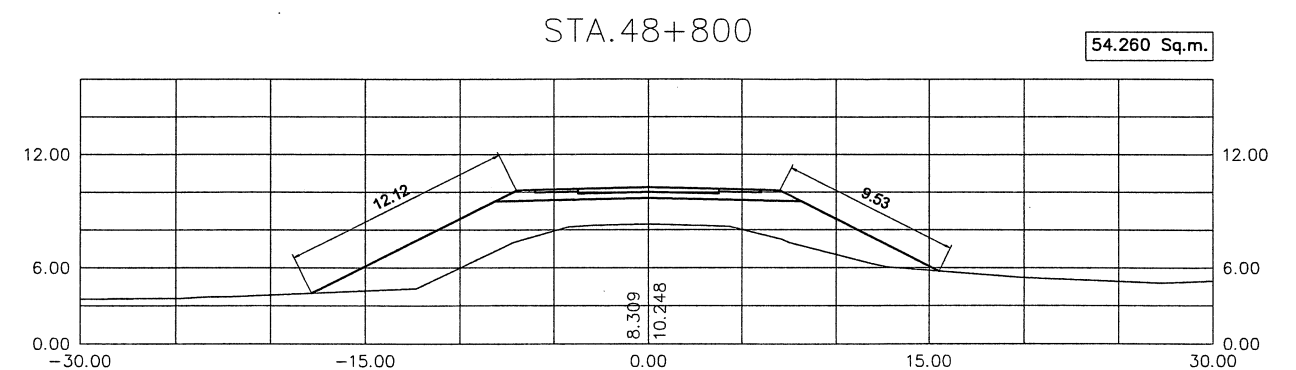
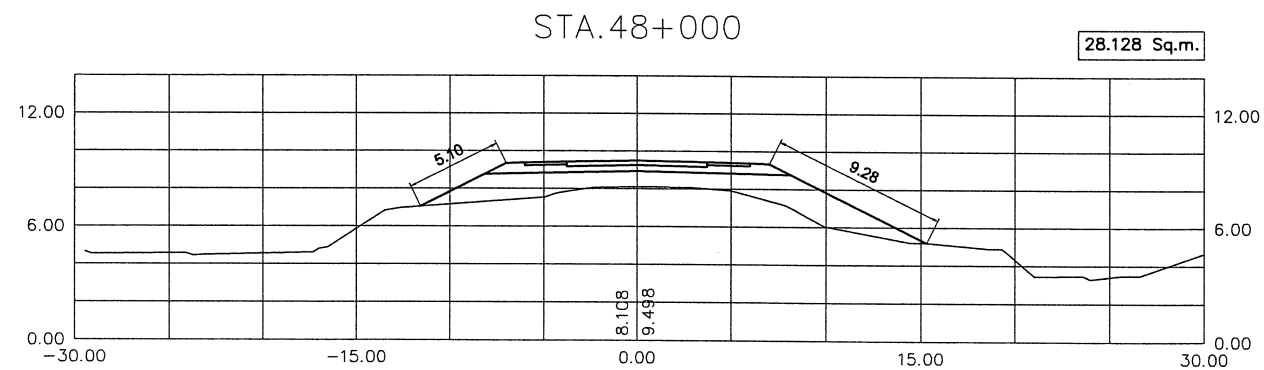
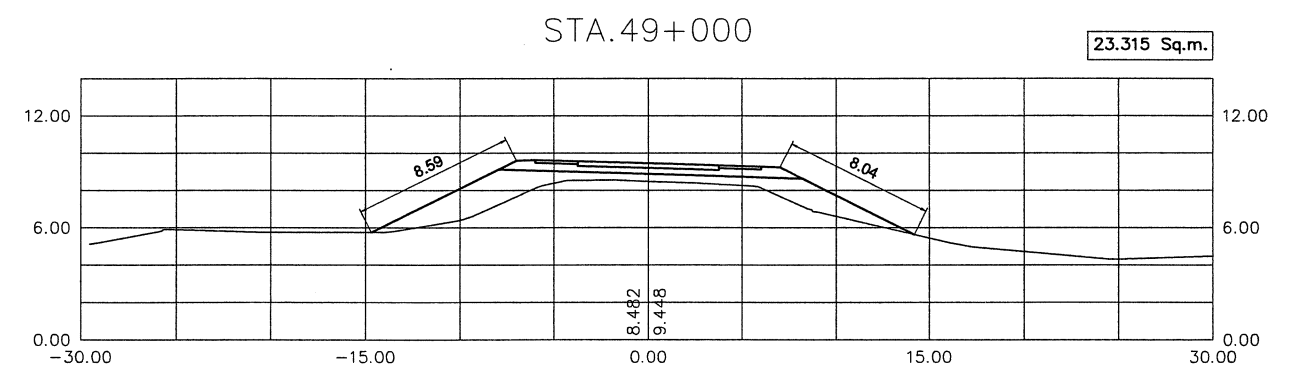
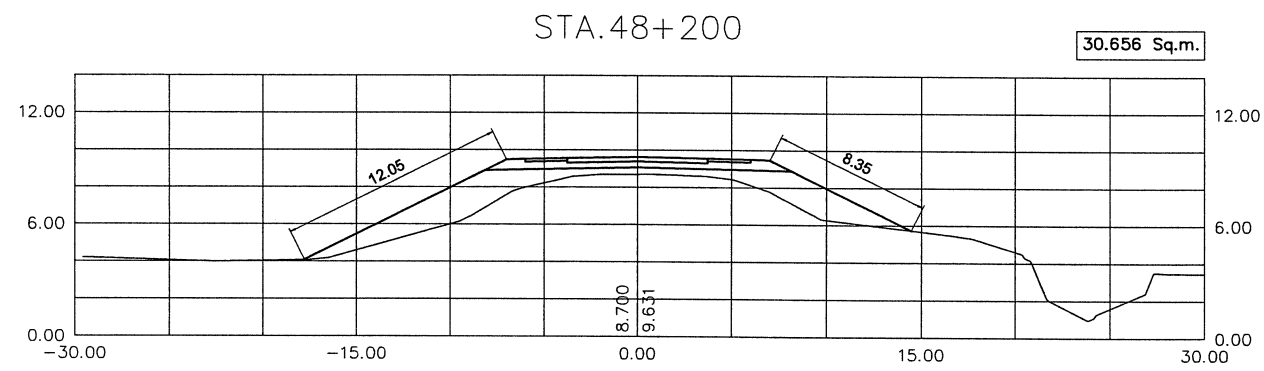
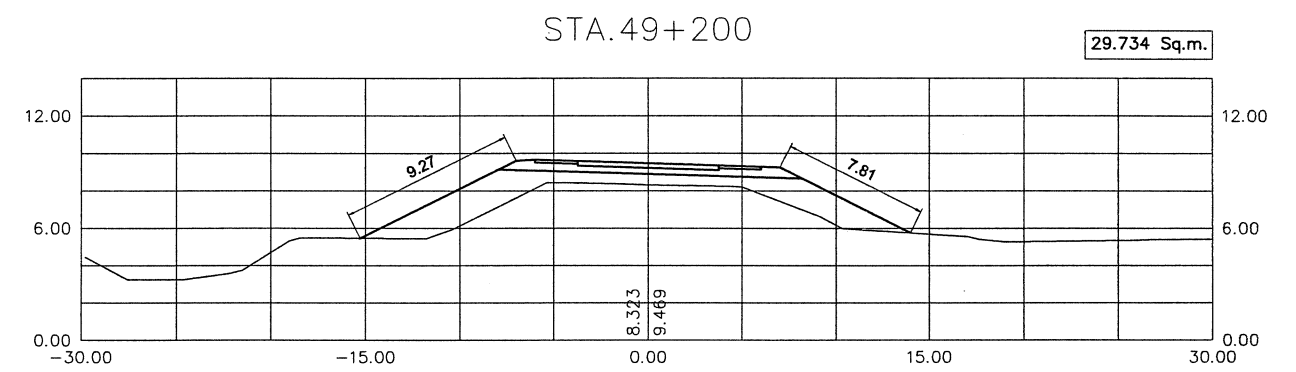
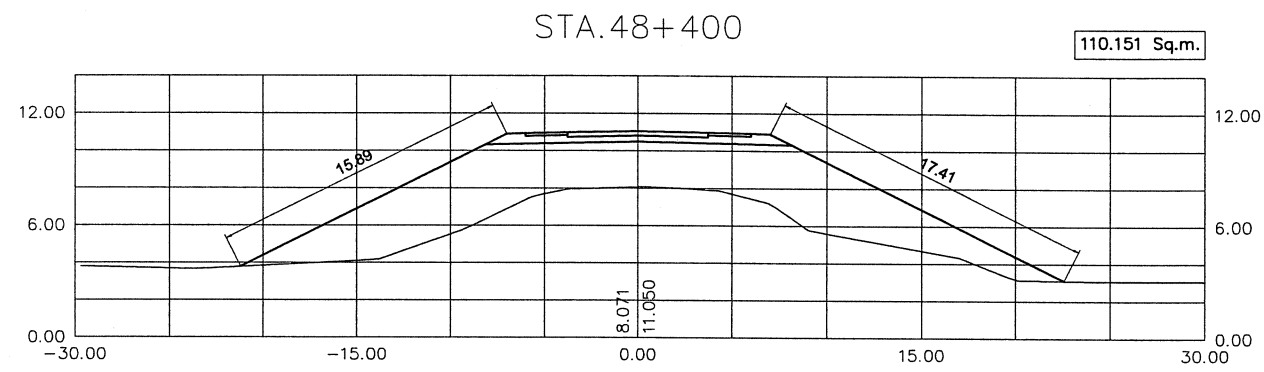
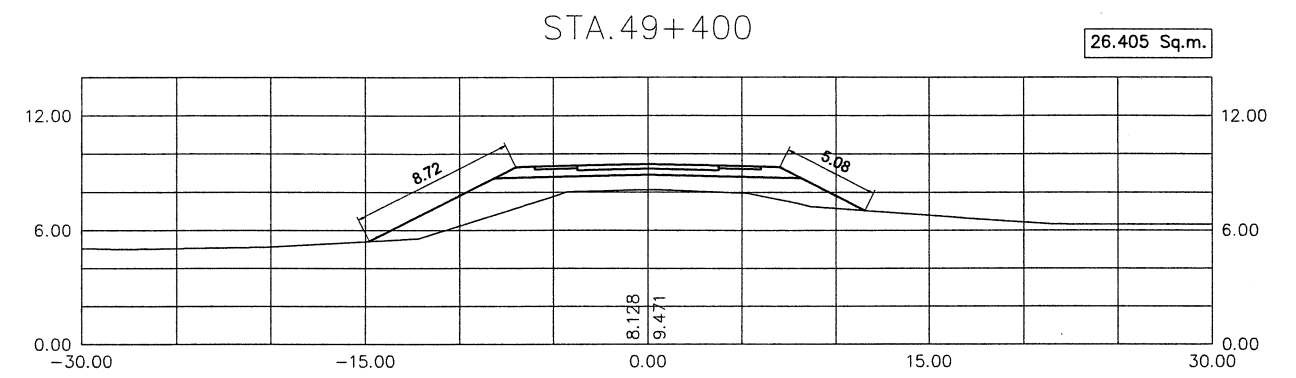
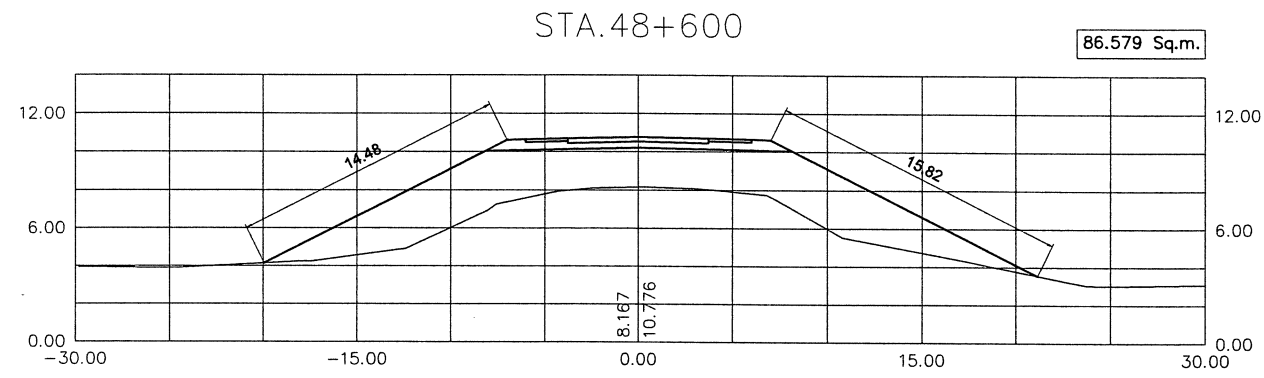
37.828 Sq.m.



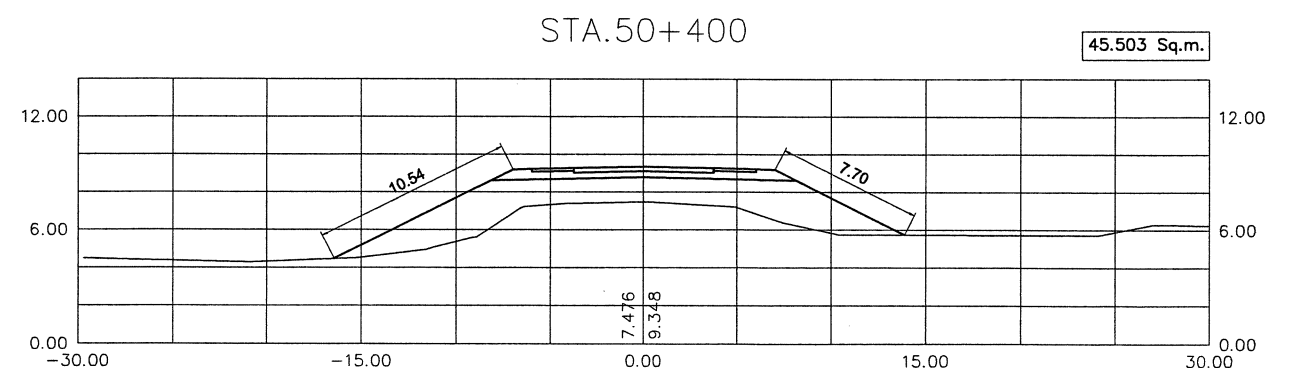
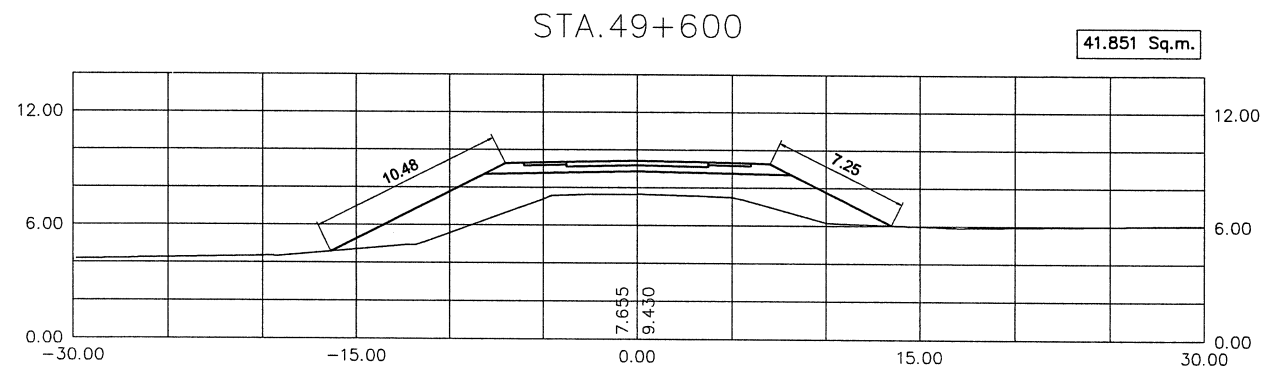
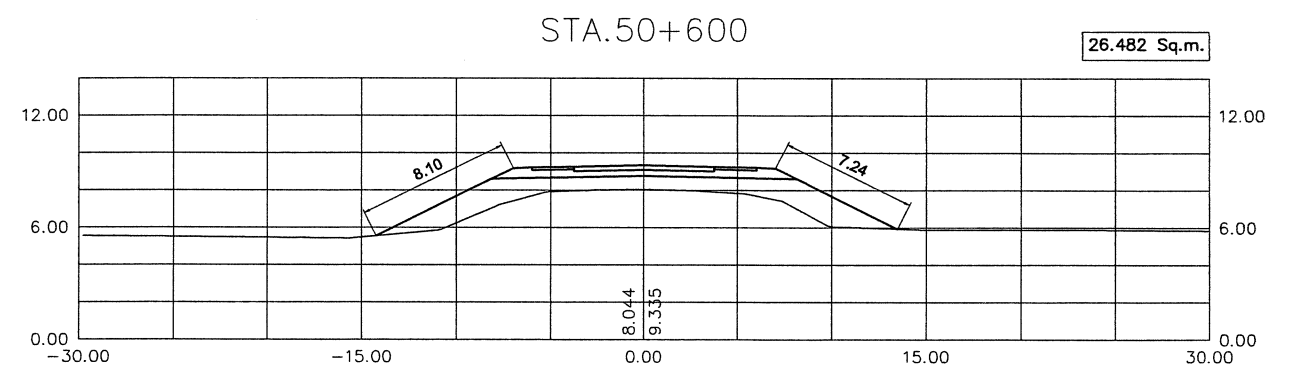
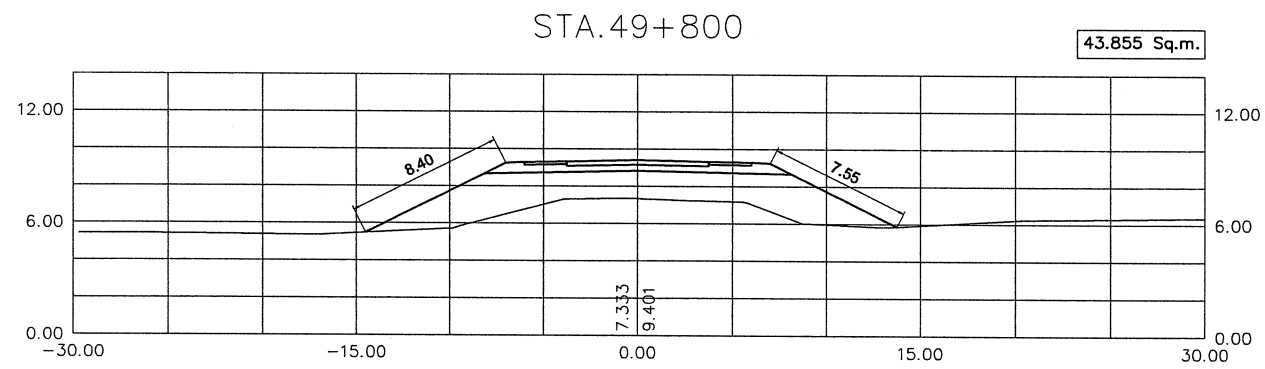
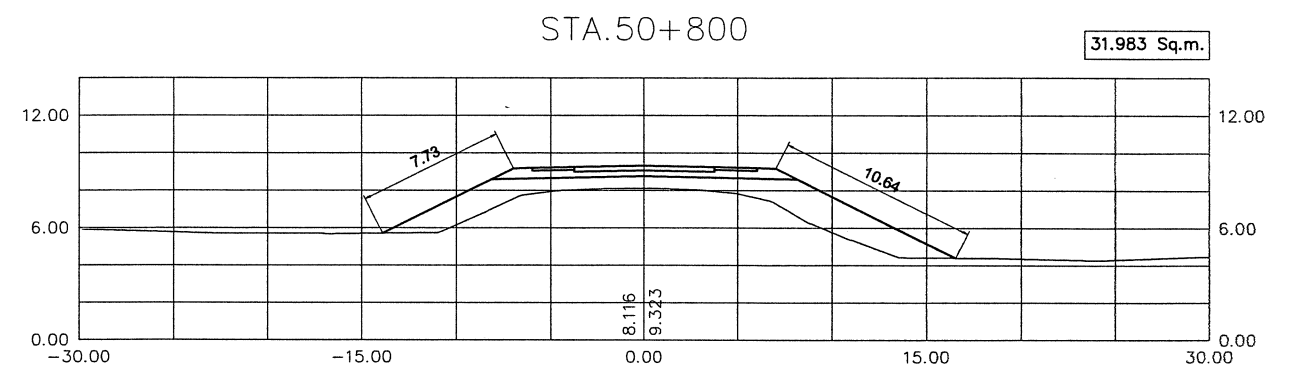
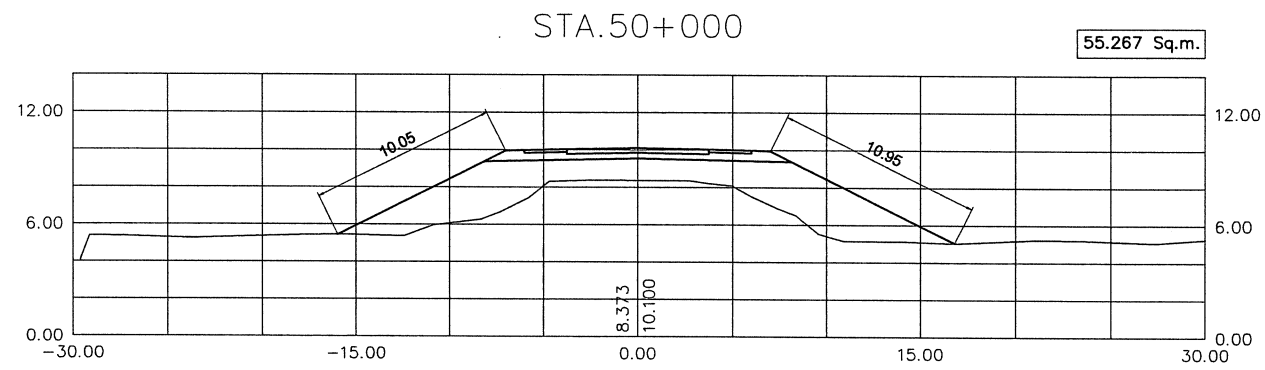
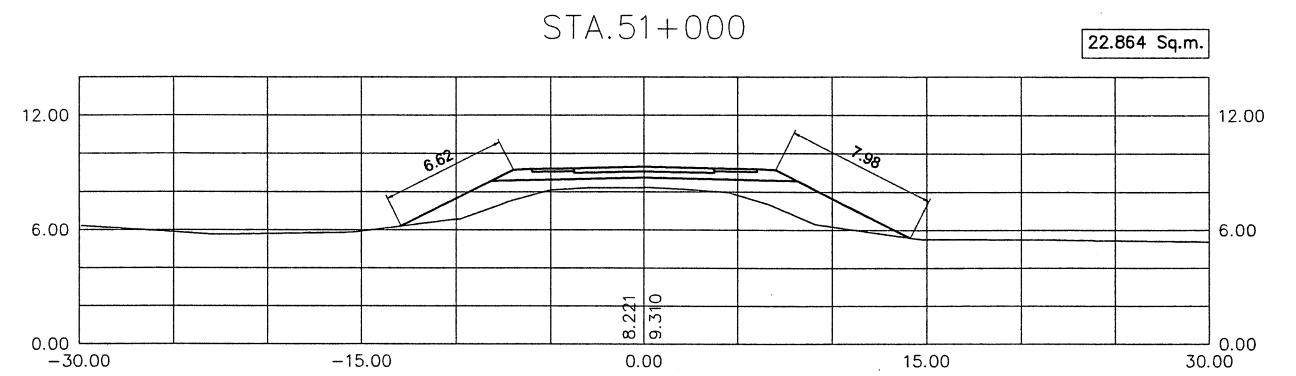
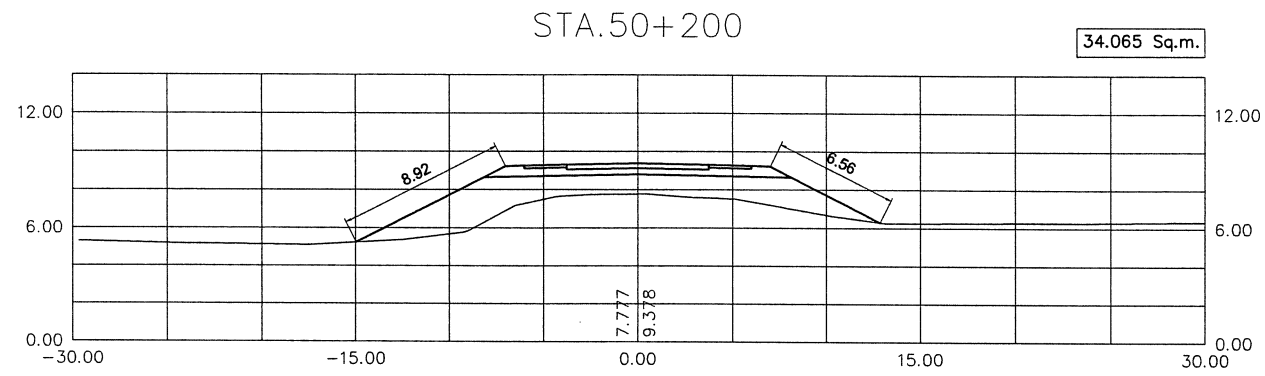
STA. 47+200

32.665 Sq.m.





MINISTRY OF PUBLIC WORKS AND TRANSPORT (MPWT)	THE FEASIBILITY STUDY ON THE IMPROVEMENT OF NATIONAL ROAD NO.1 (PHNOM PENH-NEAK LOUENG SECTION) IN THE KINGDOM OF CAMBODIA	<b>JAPAN INTERNATIONAL COOPERATION AGENCY</b> PACIFIC CONSULTANTS INTERNATIONAL & KATAHIRA & ENGINEERS INTERNATIONAL	TITLE : CROSS SECTION CH. 48km+000m - CH.49km+400m	SCALE	Drawing No.
				1/400	B-115



MINISTRY OF  
PUBLIC WORKS AND TRANSPORT  
(MPWT)

THE FEASIBILITY STUDY ON THE  
IMPROVEMENT OF NATIONAL ROAD NO.1  
(PHNOM PENH-NEAK LOUENG SECTION)  
IN THE KINGDOM OF CAMBODIA

**JAPAN INTERNATIONAL COOPERATION AGENCY**  
PACIFIC CONSULTANTS INTERNATIONAL &  
KATAHIRA & ENGINEERS INTERNATIONAL

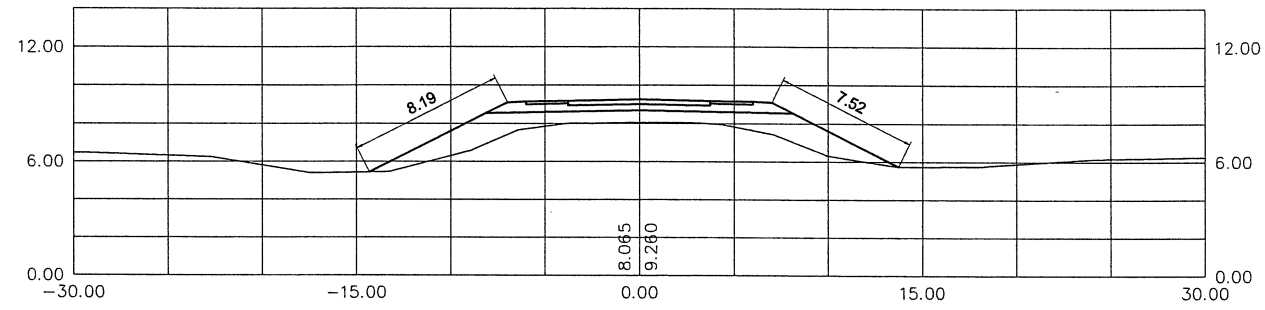
TITLE :  
CROSS SECTION  
CH. 49km+600m - CH.51km+000m

SCALE  
1/400

Drawing No.  
B-116

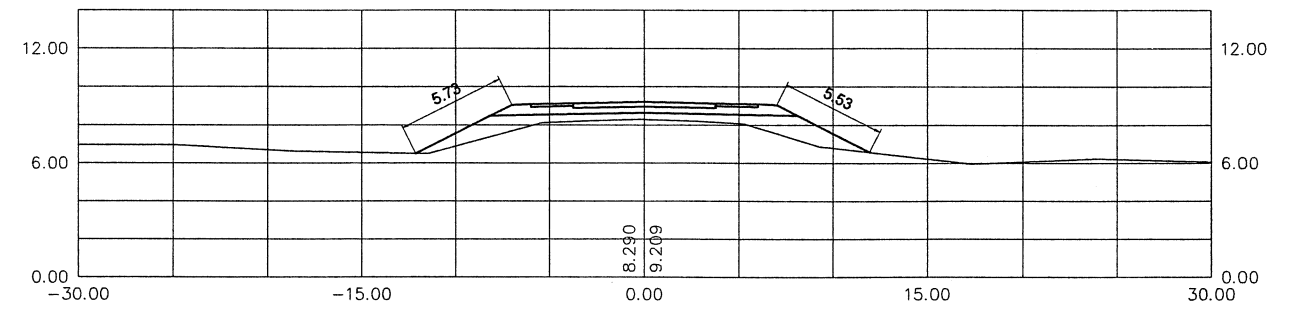
STA.51+800

24.077 Sq.m.



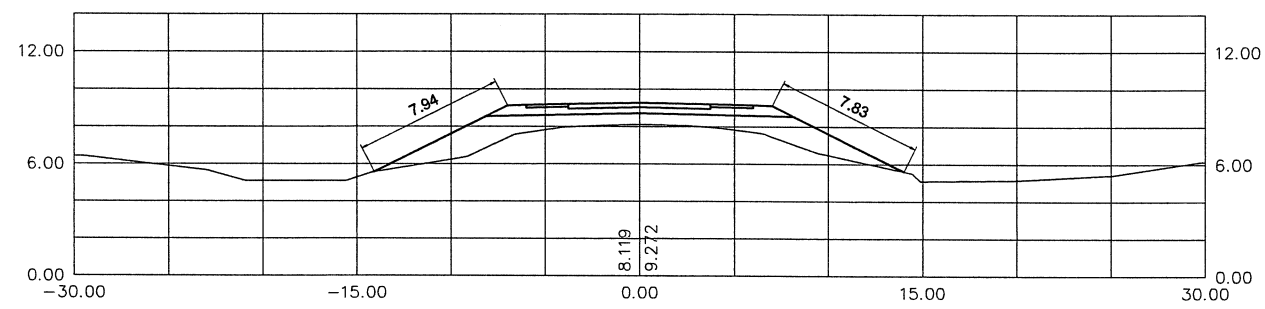
STA.52+600

13.951 Sq.m.



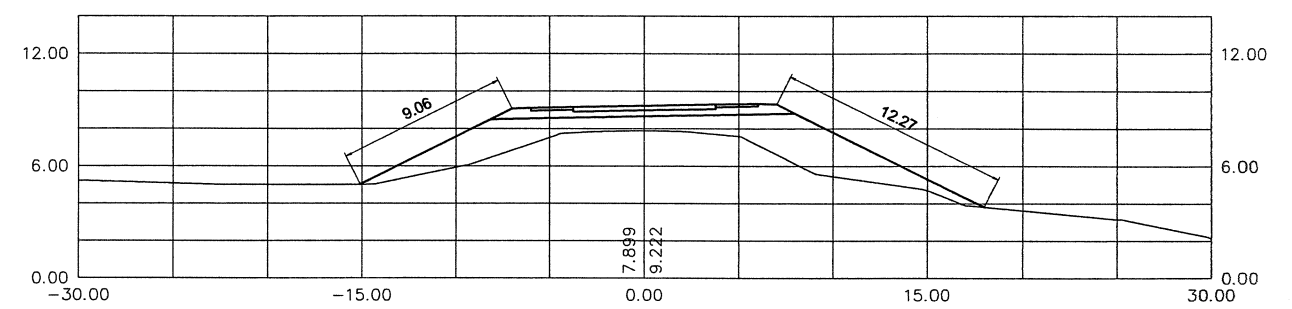
STA.51+600

23.674 Sq.m.



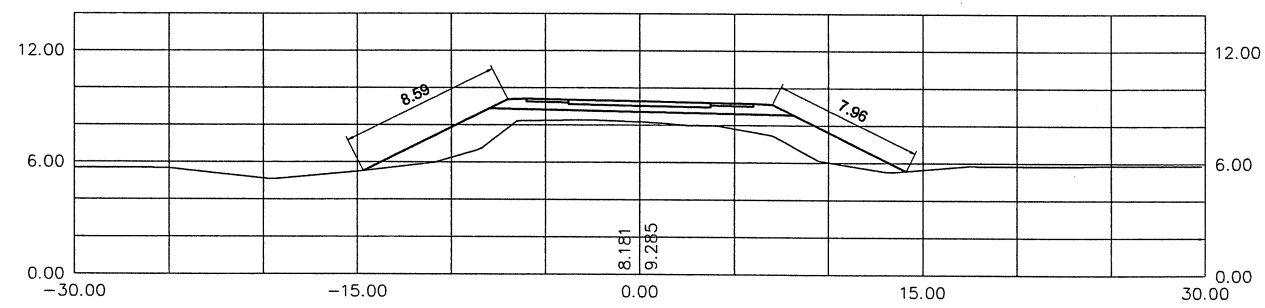
STA.52+400

40.768 Sq.m.



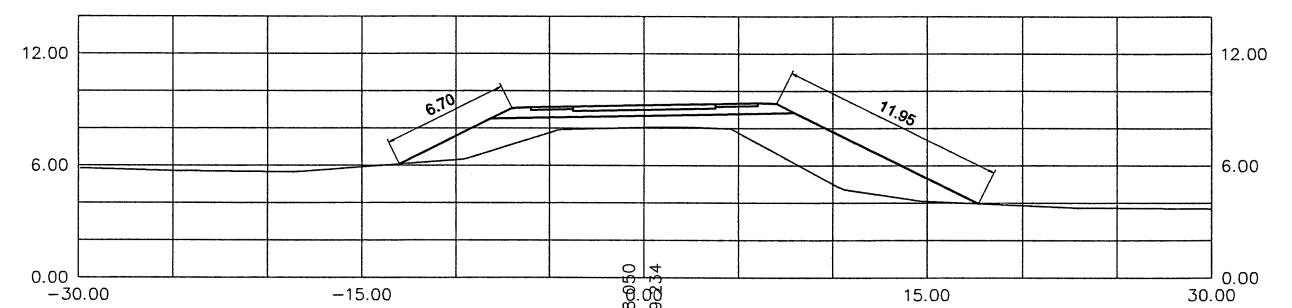
STA.51+400

26.751 Sq.m.



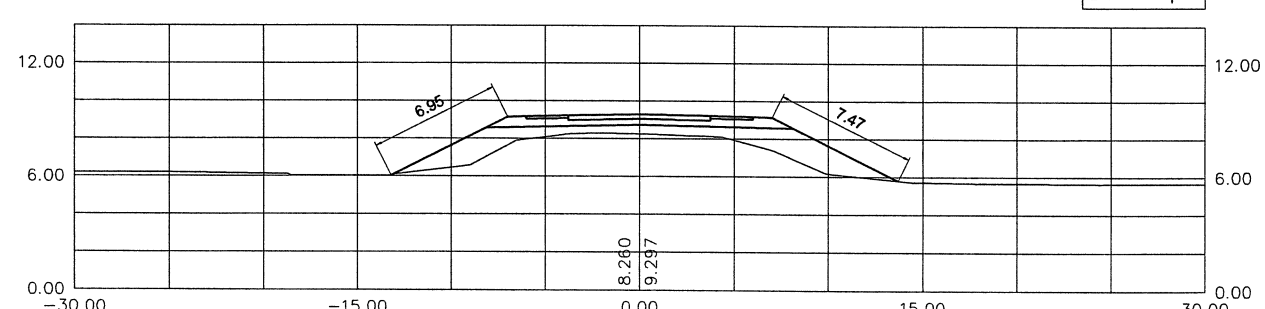
STA.52+200

38.792 Sq.m.



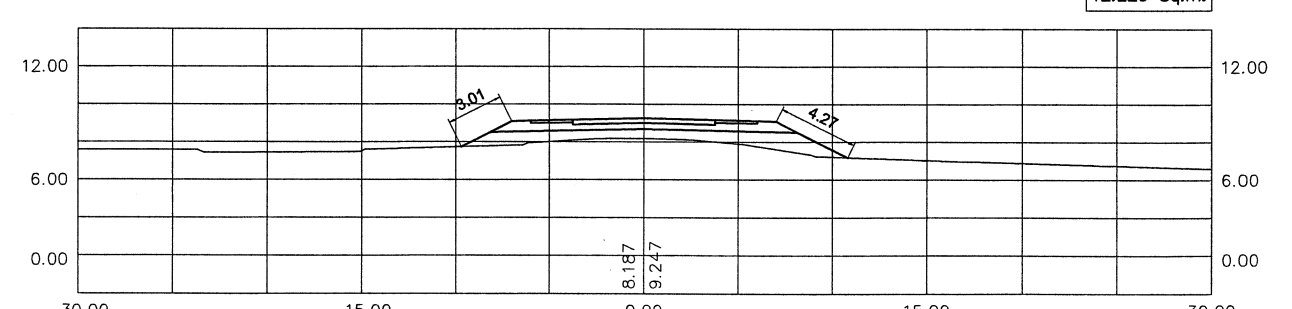
STA.51+200

21.166 Sq.m.



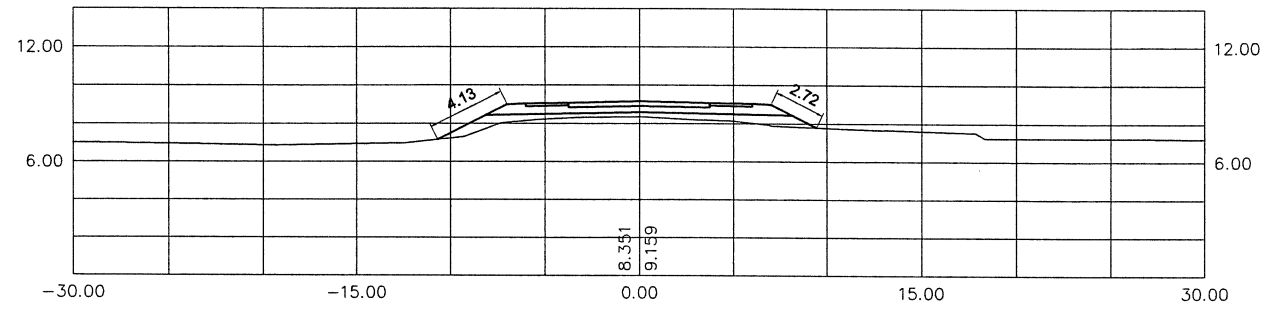
STA.52+000

12.226 Sq.m.



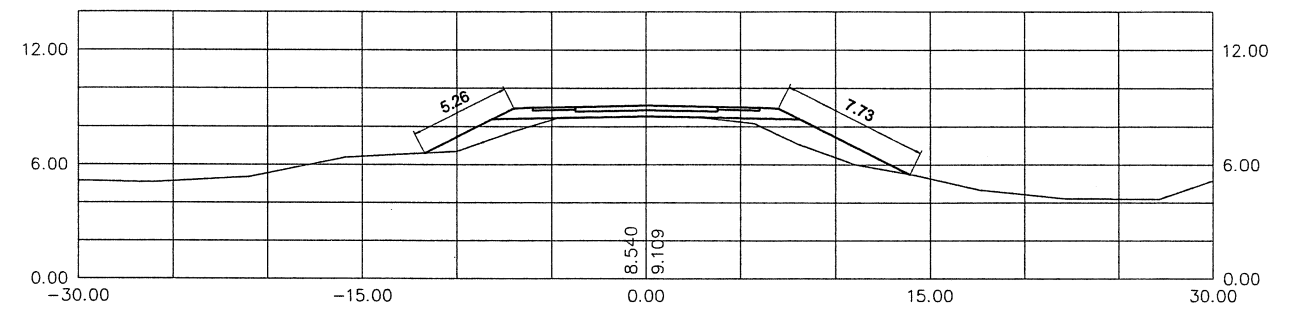
STA.53+400

7.007 Sq.m.



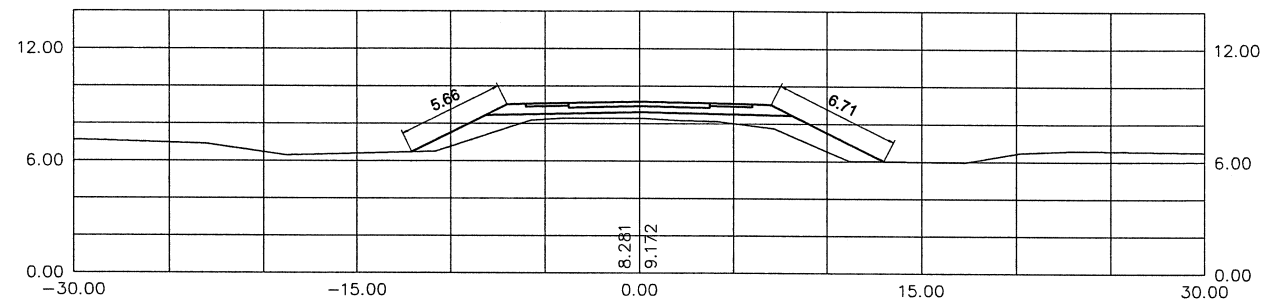
STA.54+200

11.072 Sq.m.



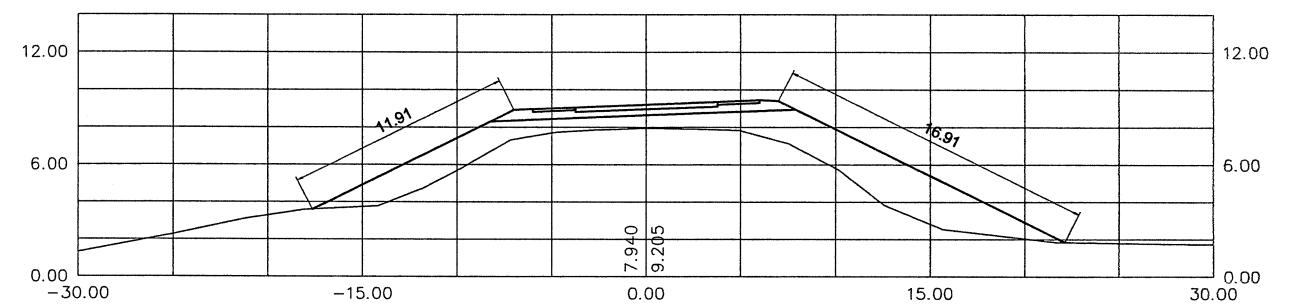
STA.53+200

13.839 Sq.m.



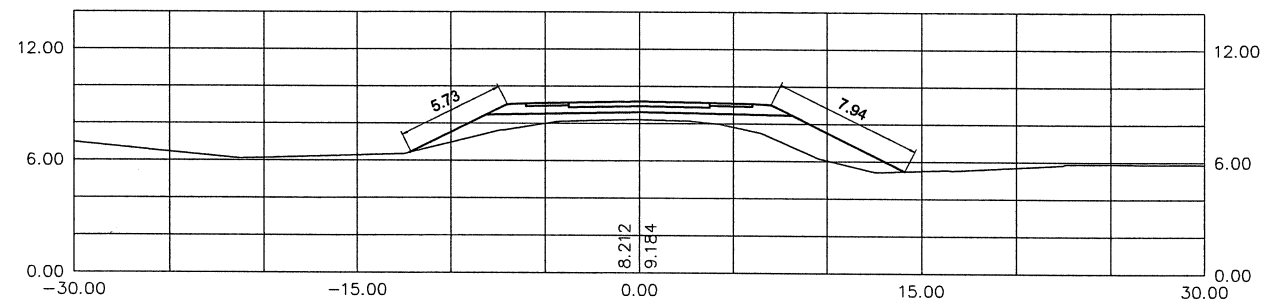
STA.54+000

55.213 Sq.m.



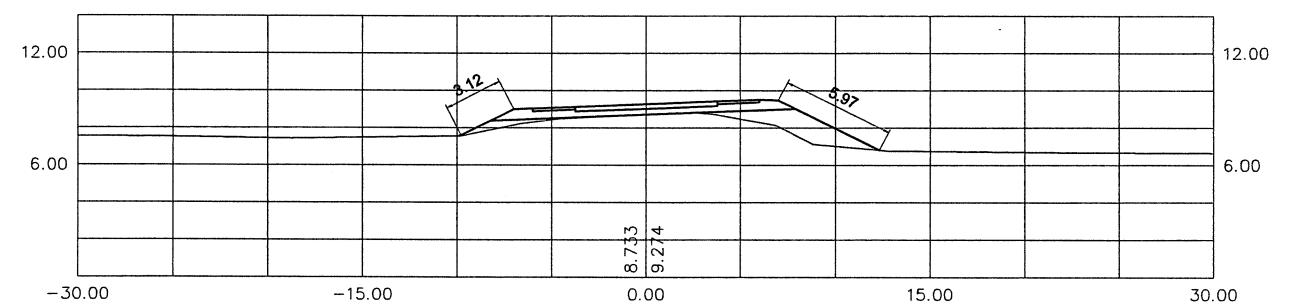
STA.53+000

18.923 Sq.m.



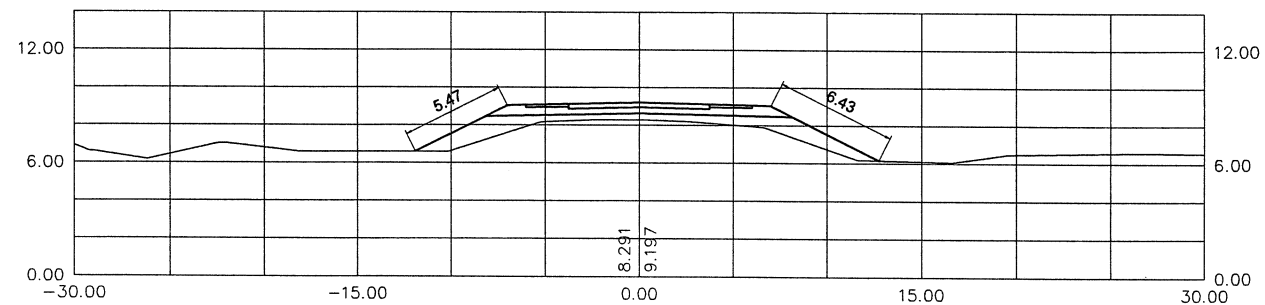
STA.53+800

7.991 Sq.m.



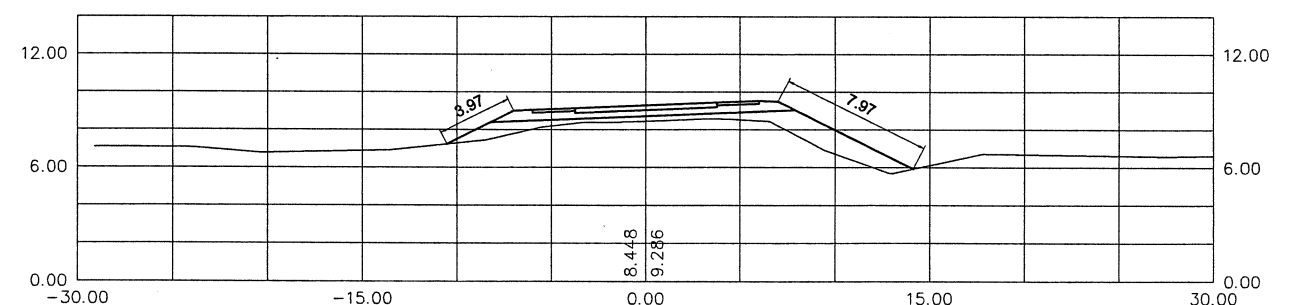
STA.52+800

14.169 Sq.m.



STA.53+600

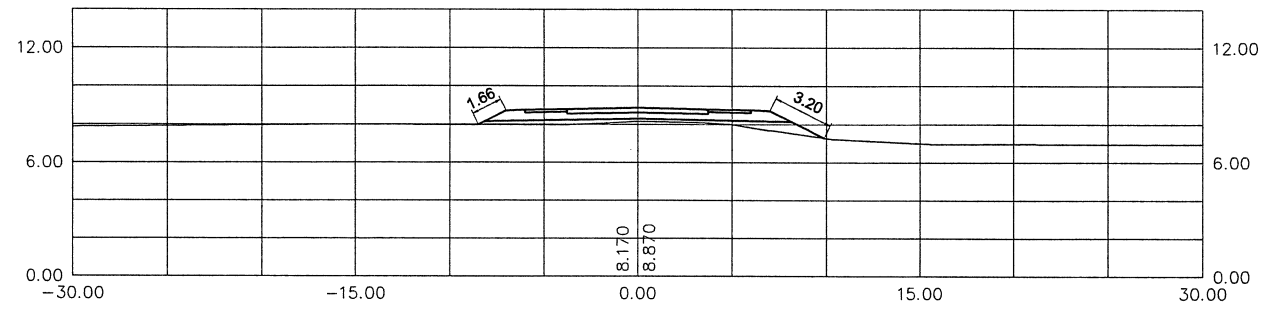
13.911 Sq.m.





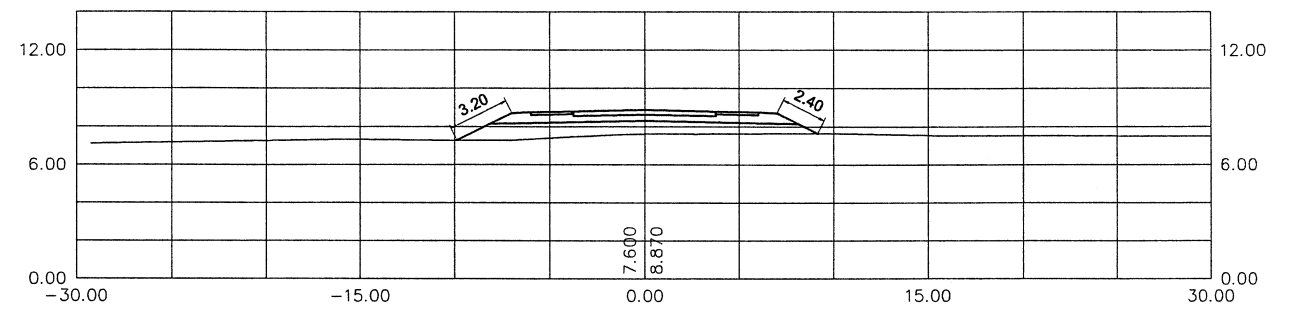
STA.55+000

4.238 Sq.m.



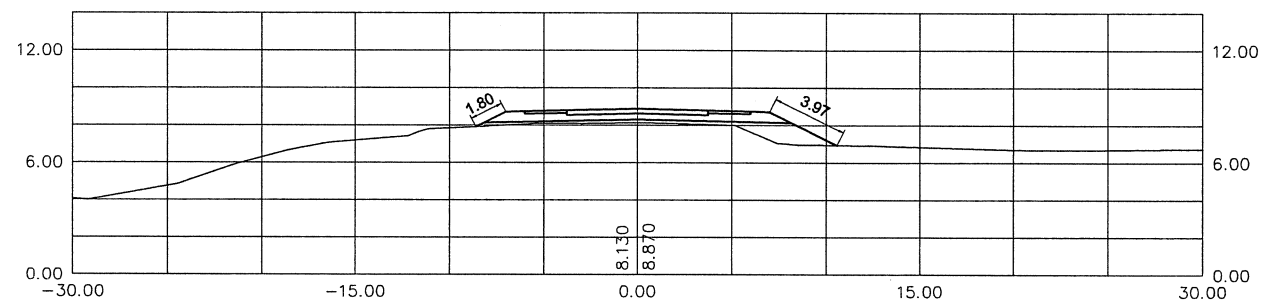
STA.55+800

12.211 Sq.m.



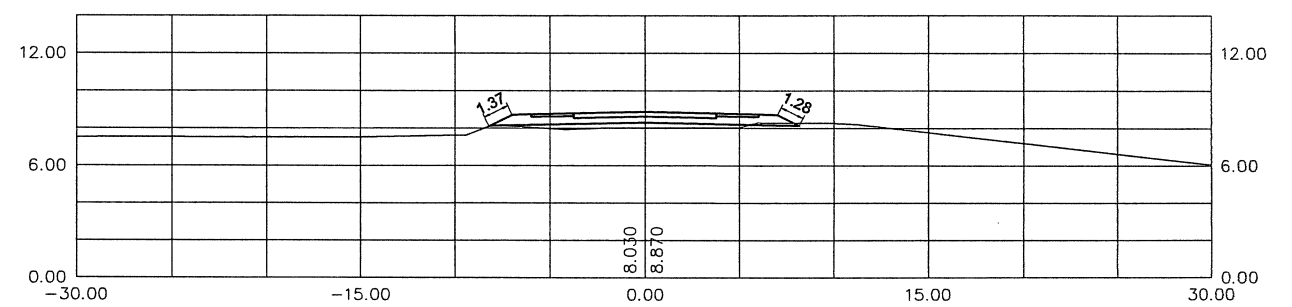
STA.54+800

5.912 Sq.m.



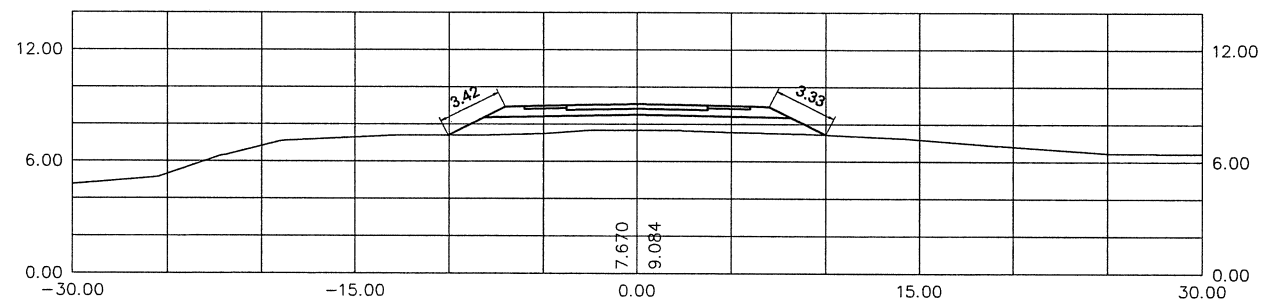
STA.55+600

2.754 Sq.m.



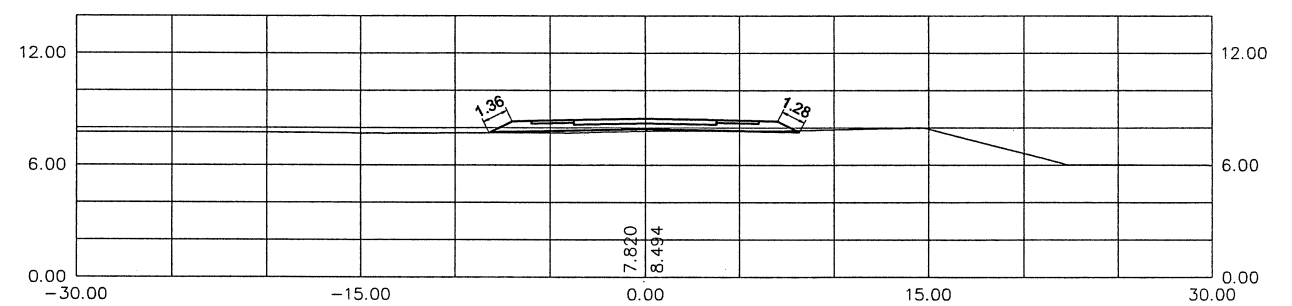
STA.54+600

15.705 Sq.m.



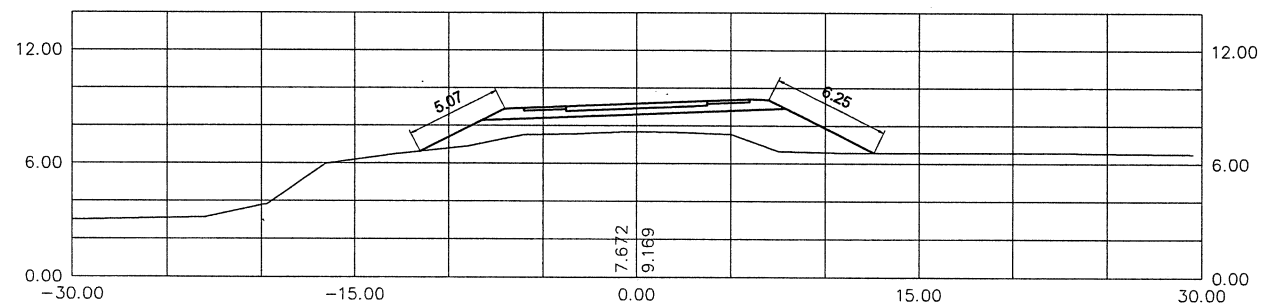
STA.55+400

1.075 Sq.m.



STA.54+400

25.847 Sq.m.



STA.55+200

0.668 Sq.m.

