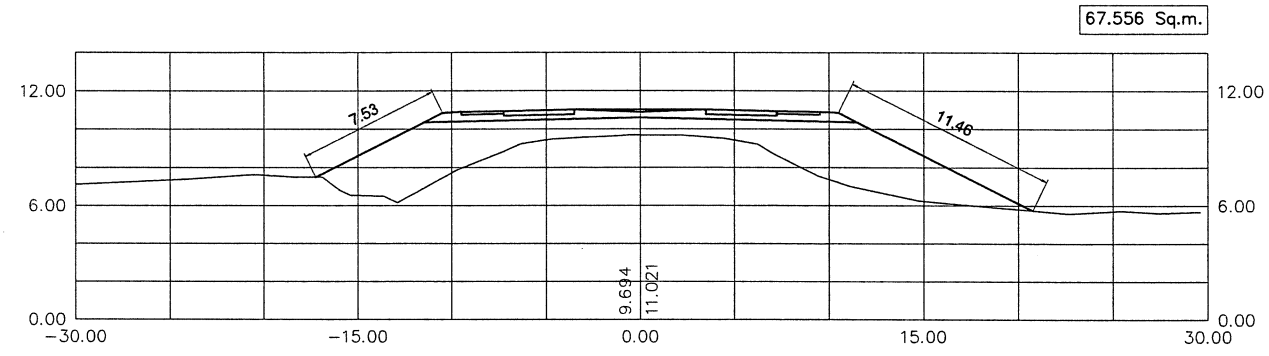
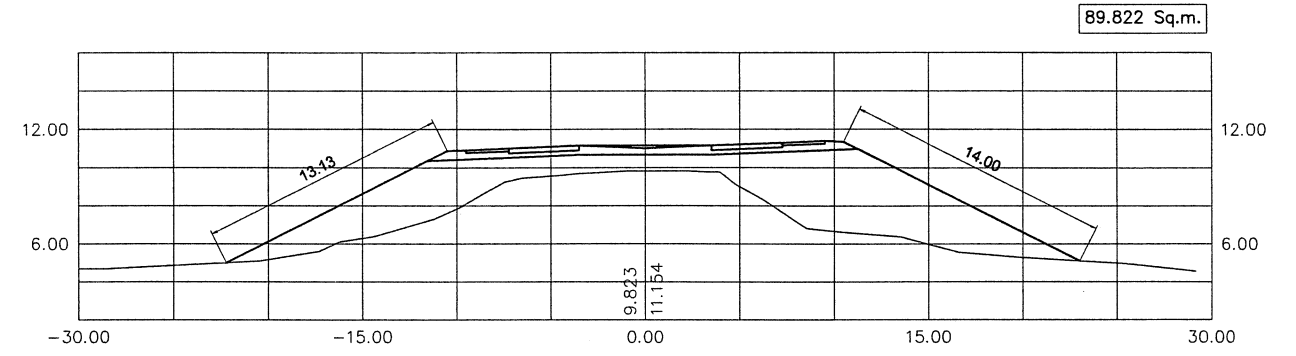


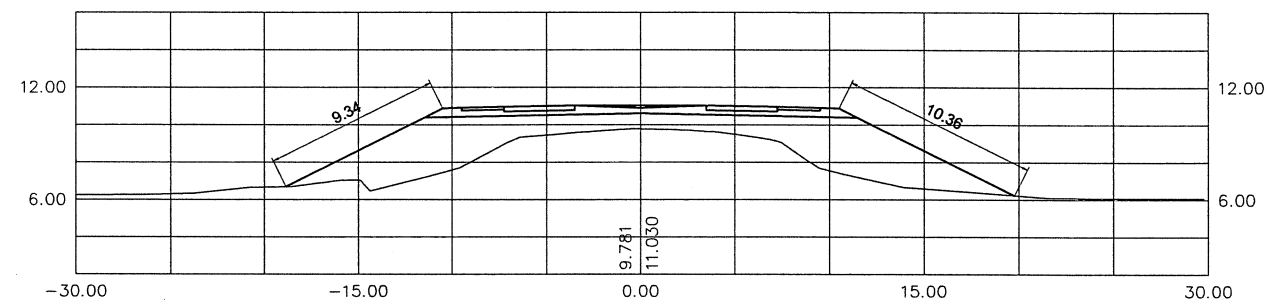
STA.11+800



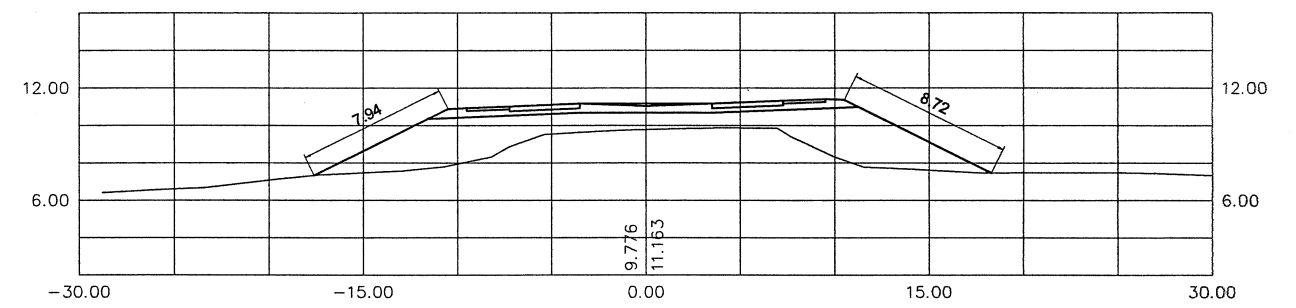
STA.12+600



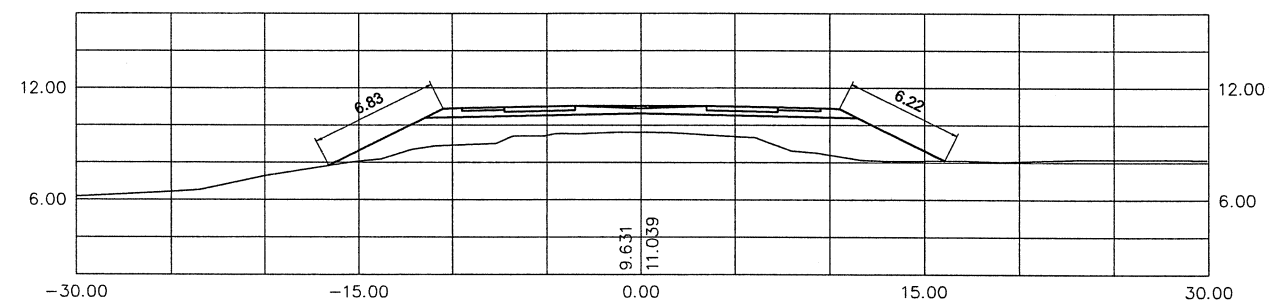
STA.11+600



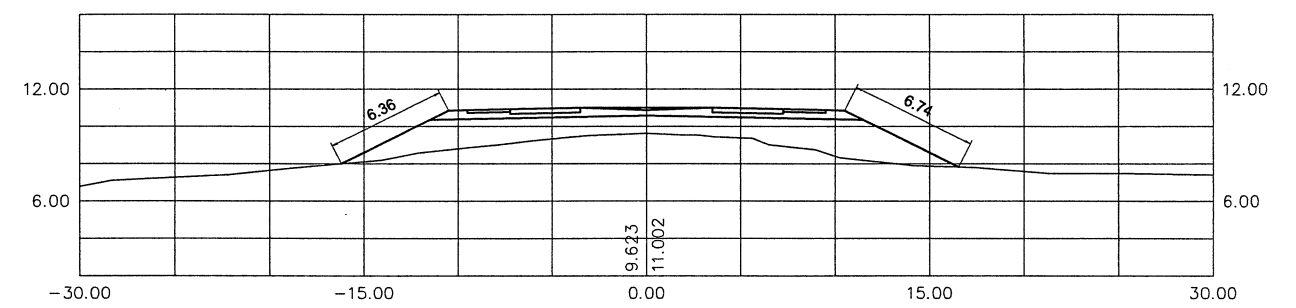
STA.12+400



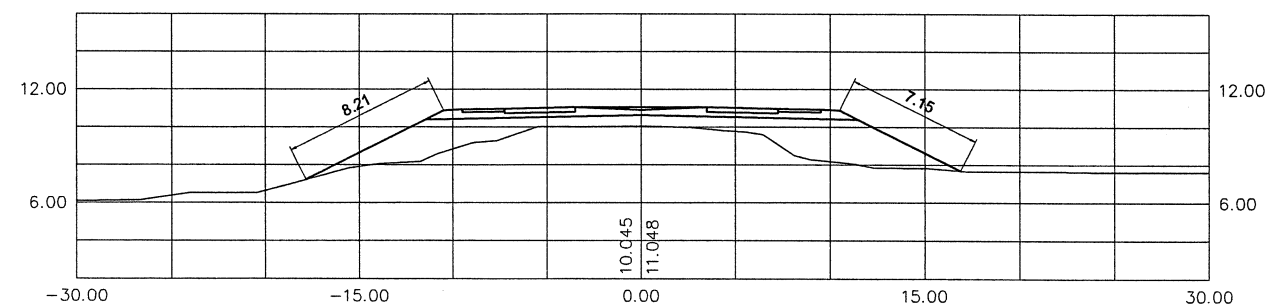
STA.11+400



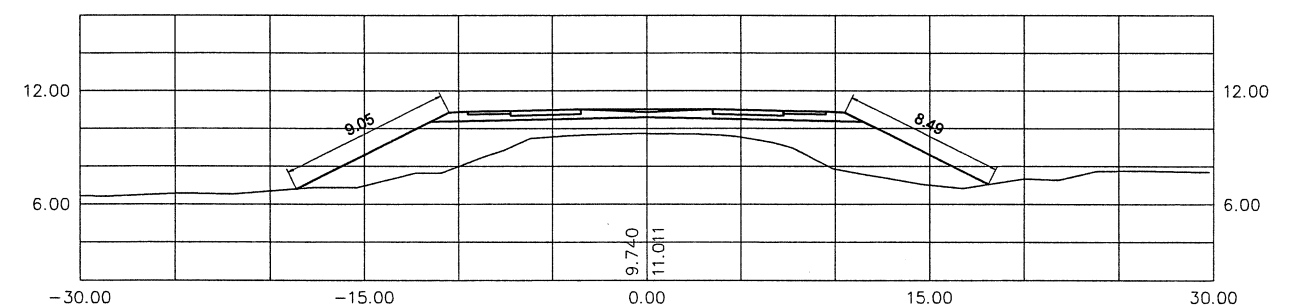
STA.12+200

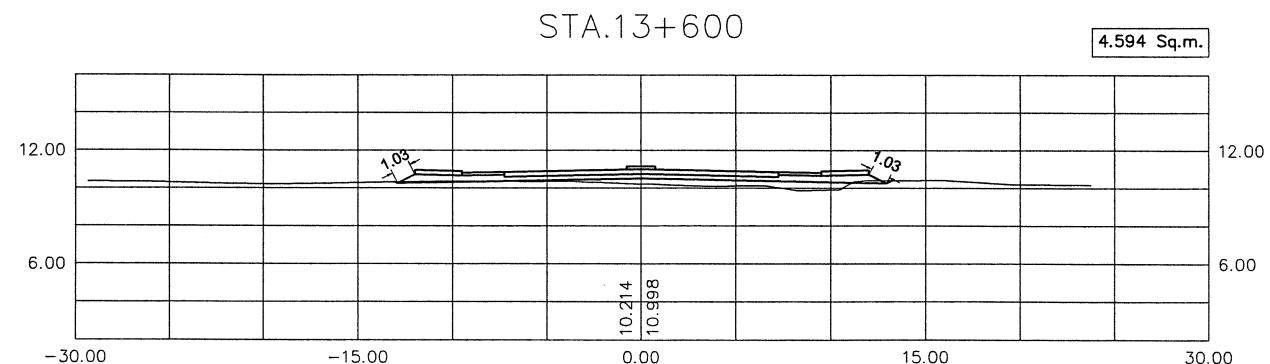
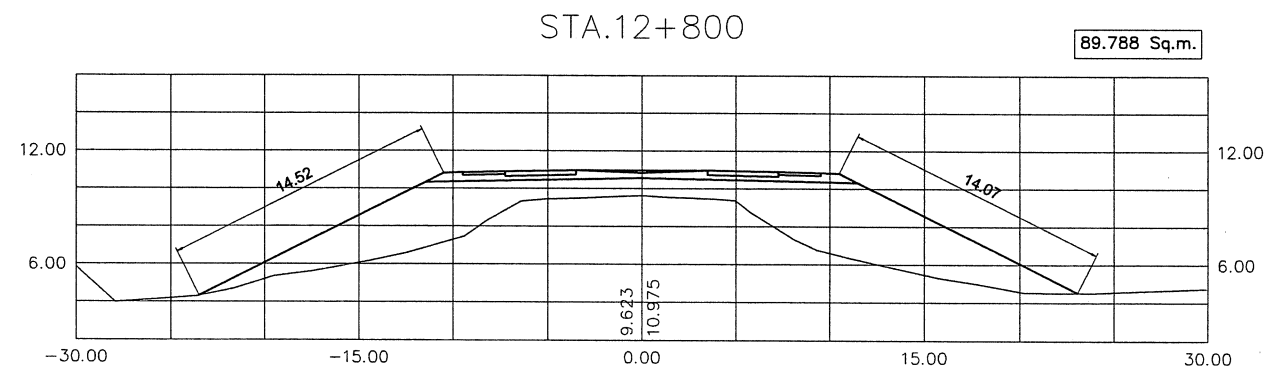
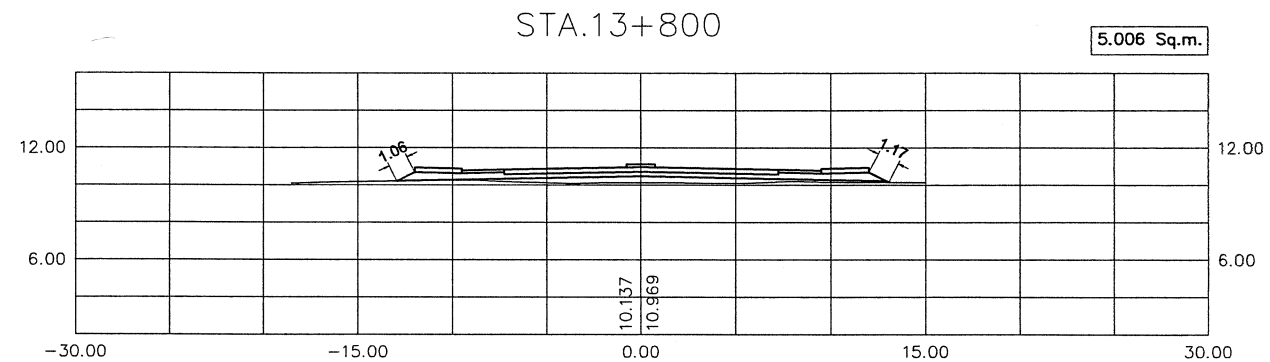
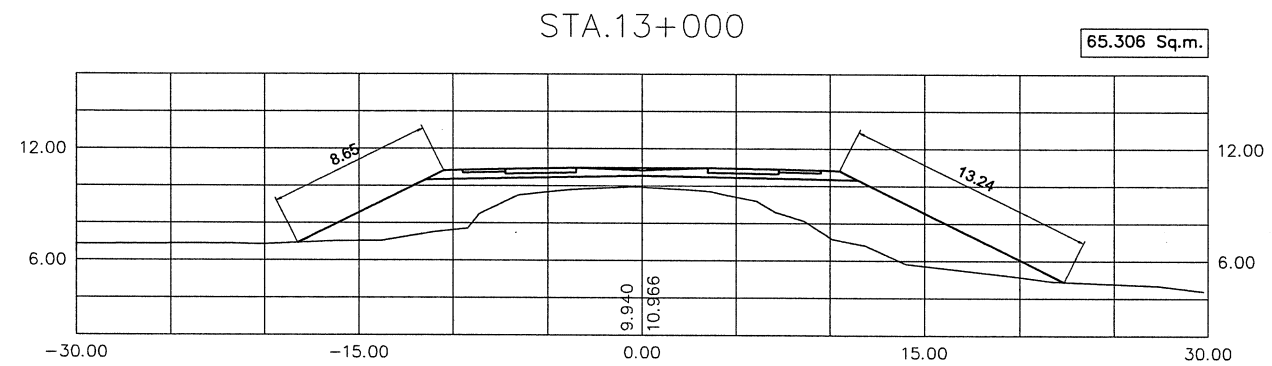
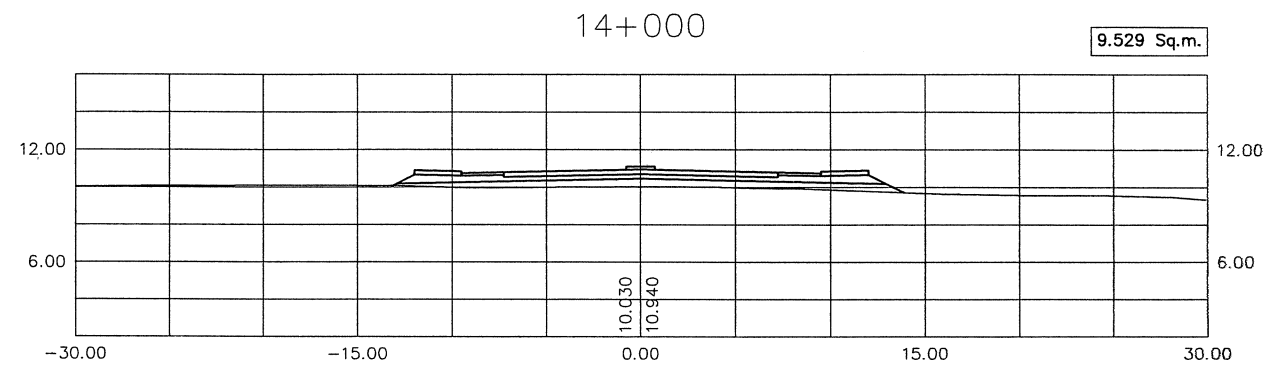
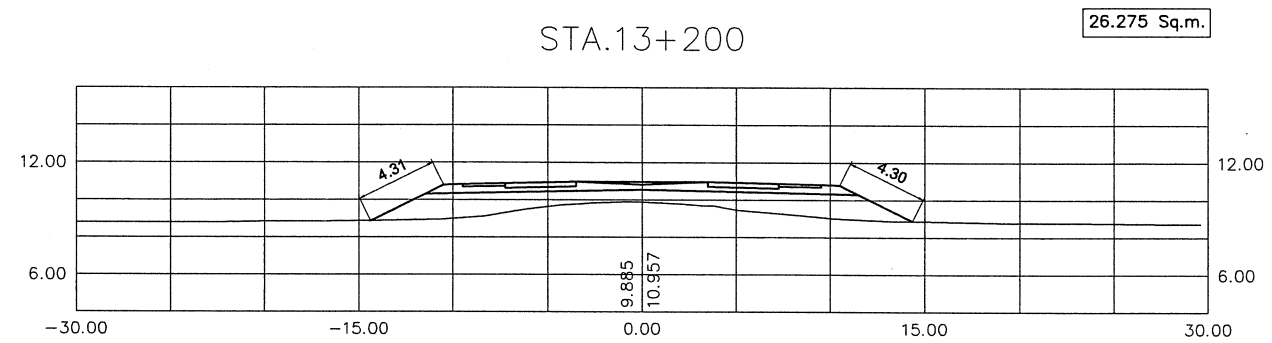
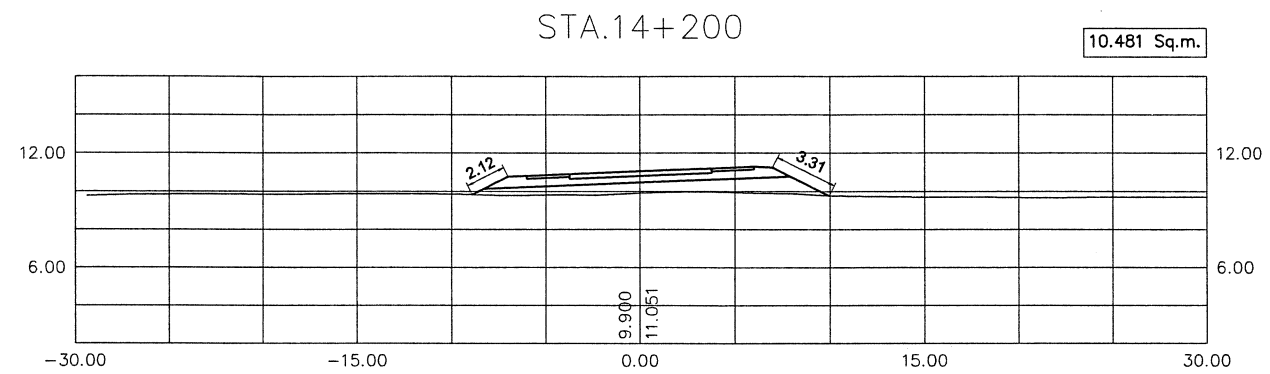
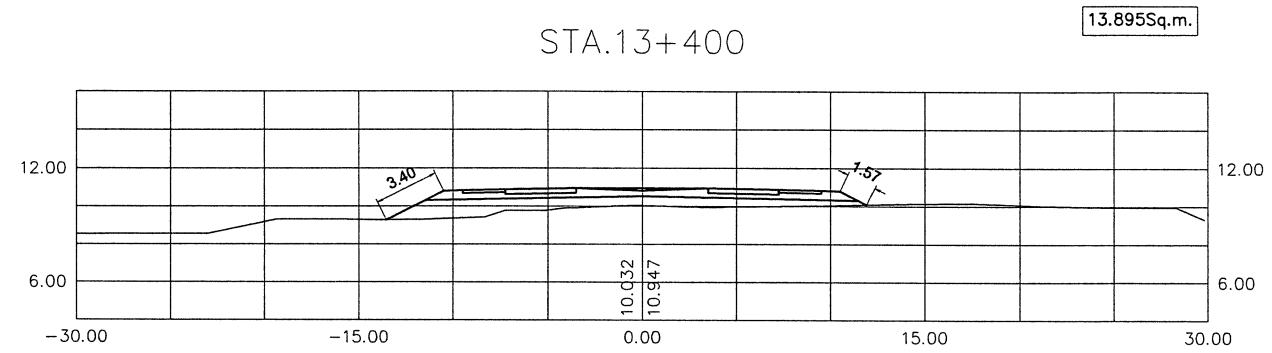


STA.11+200



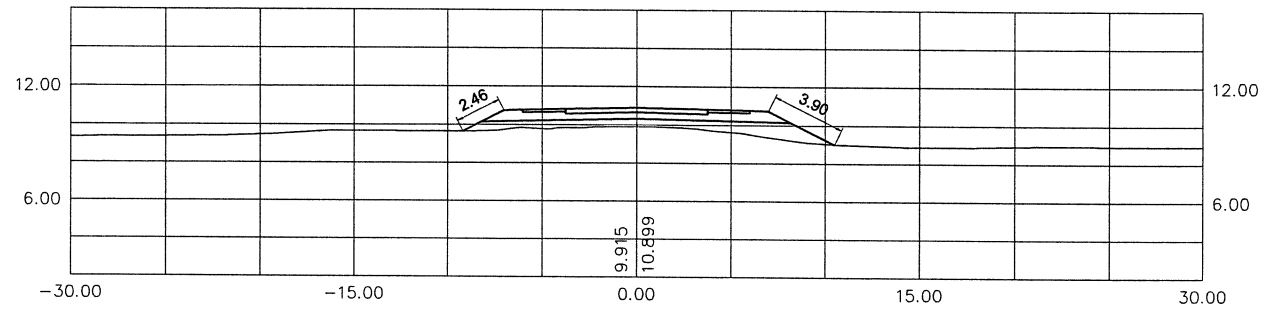
STA.12+000





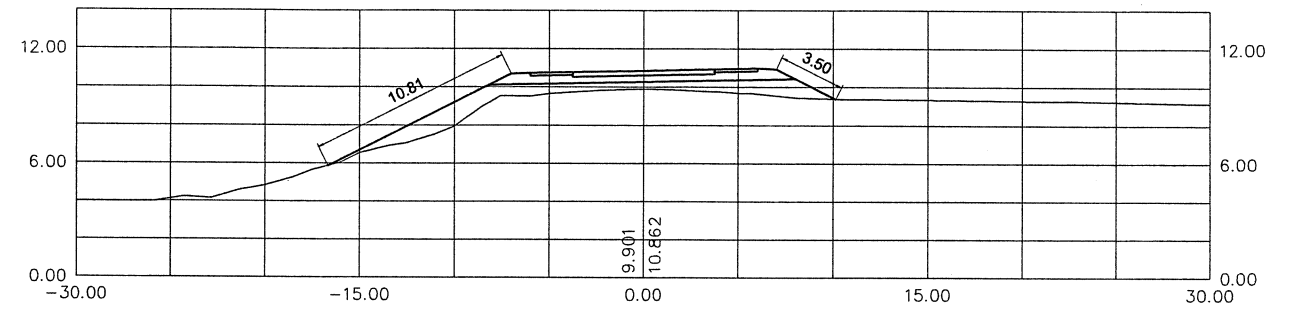
STA.15+000

9.408 Sq.m.



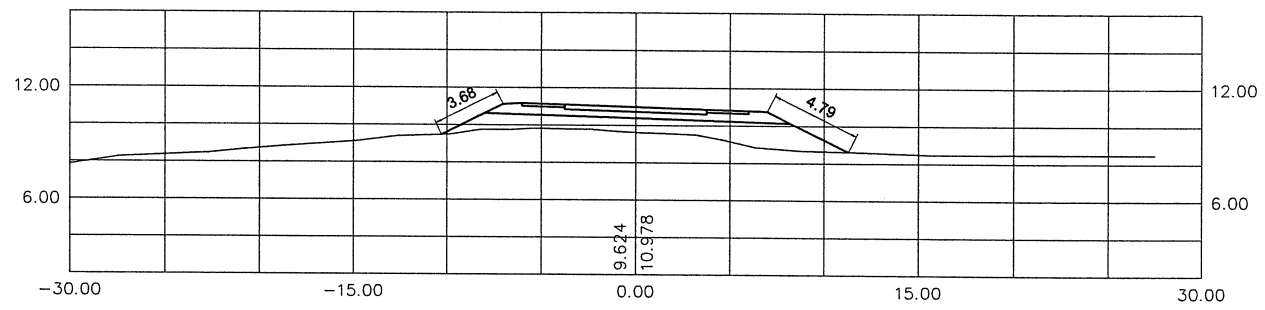
STA.15+800

16.297 Sq.m.



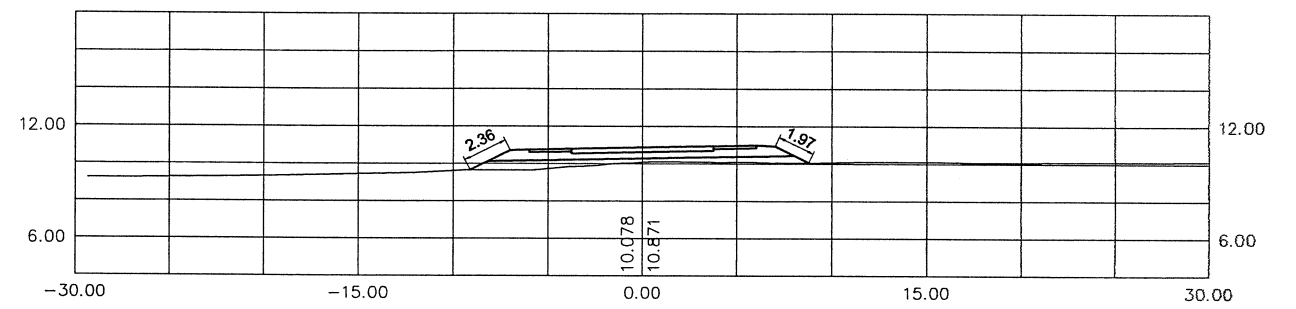
STA.14+800

17.595 Sq.m.



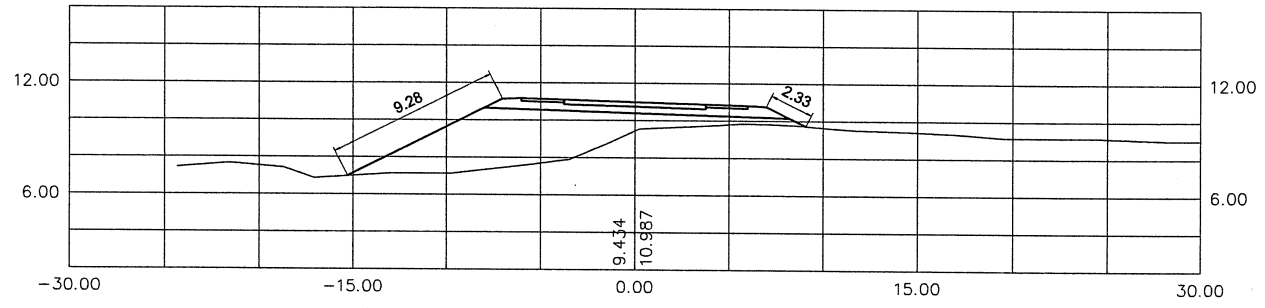
STA.15+600

5.633 Sq.m.



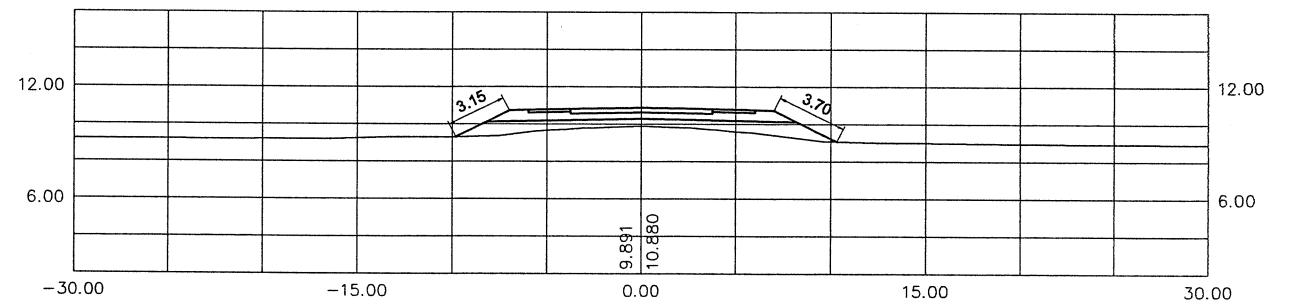
STA.14+600

36.567 Sq.m.



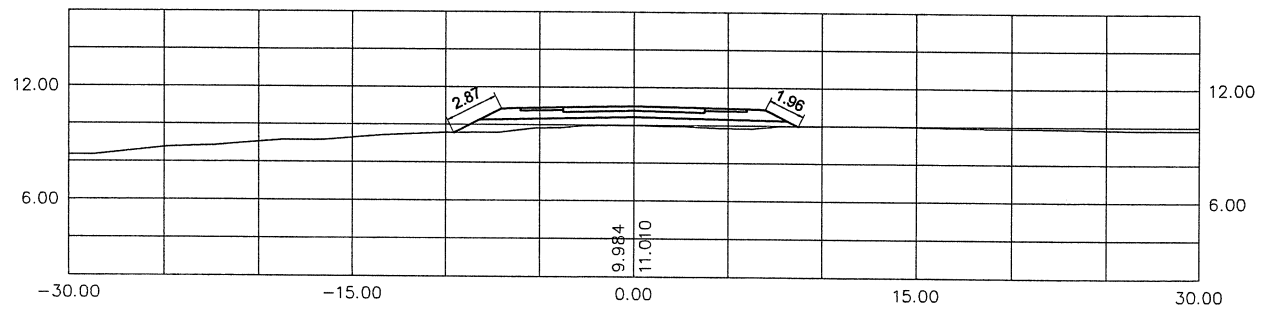
STA.15+400

10.590 Sq.m.



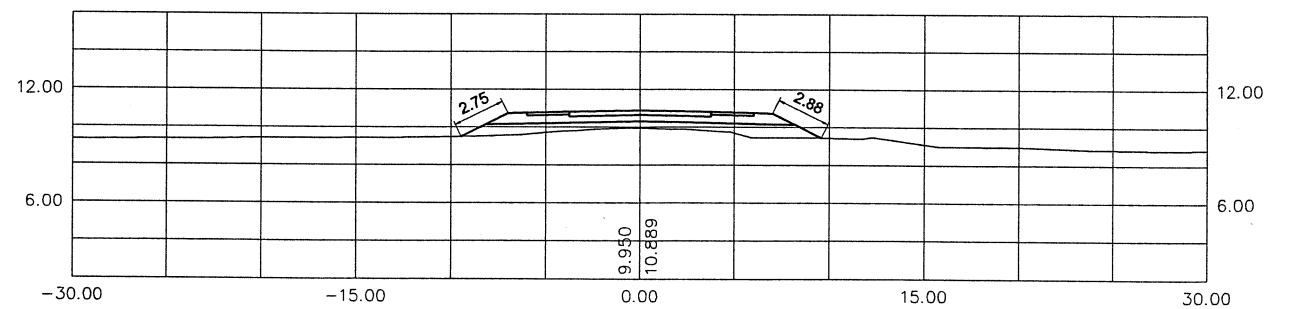
STA.14+400

8.169 Sq.m.



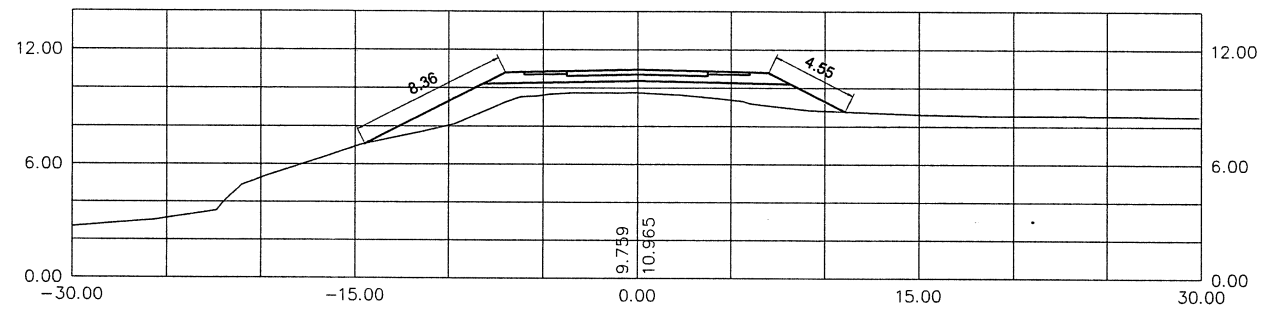
STA.15+200

8.715 Sq.m.



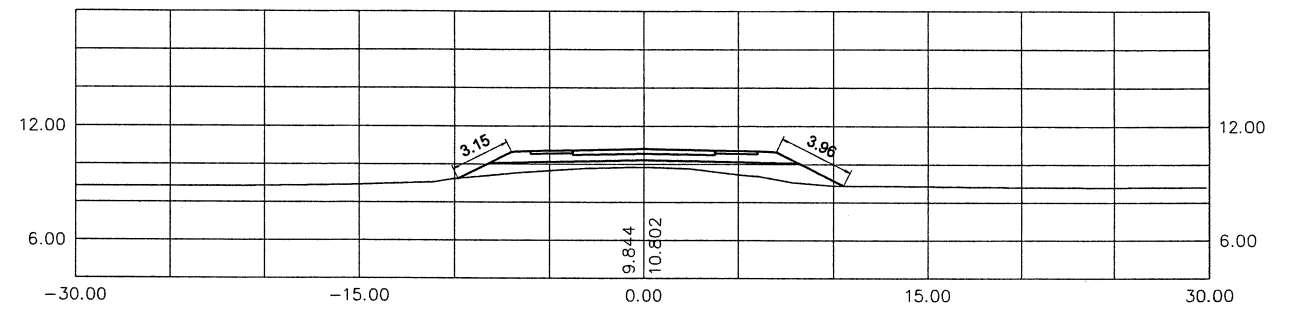
STA.16+600

20.372 Sq.m.



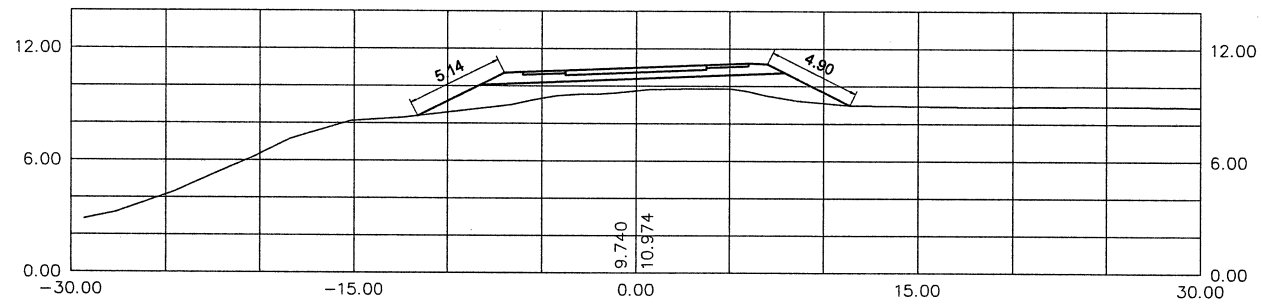
STA.17+400

10.425 Sq.m.



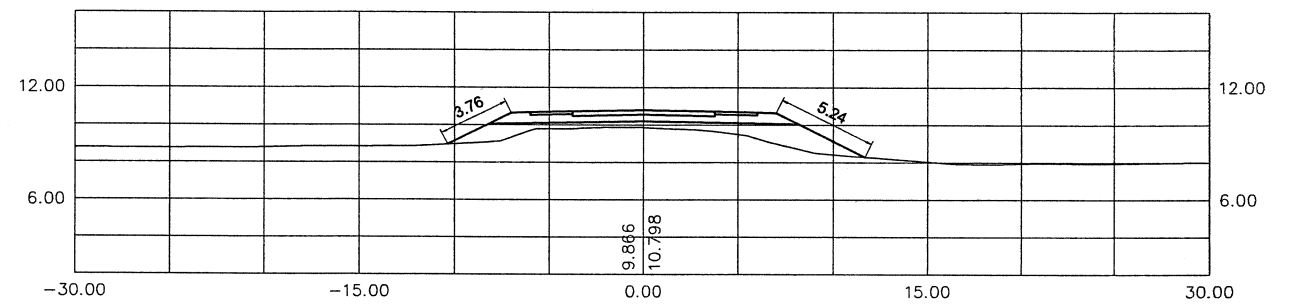
STA.16+400

18.031 Sq.m.



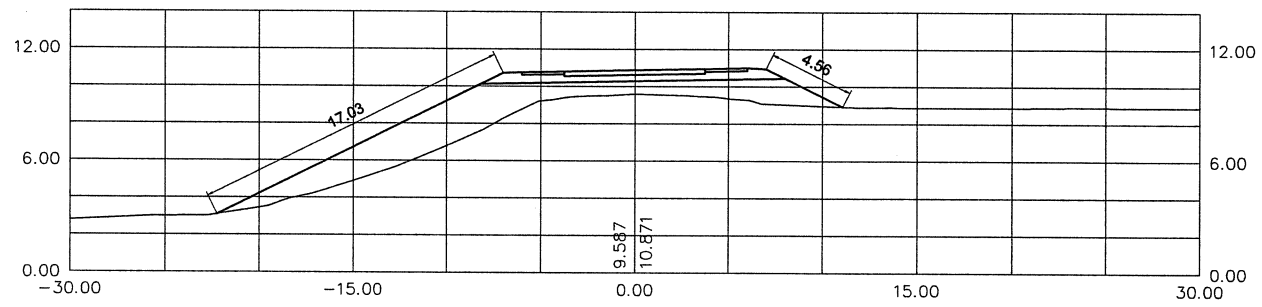
STA.17+200

12.354 Sq.m.



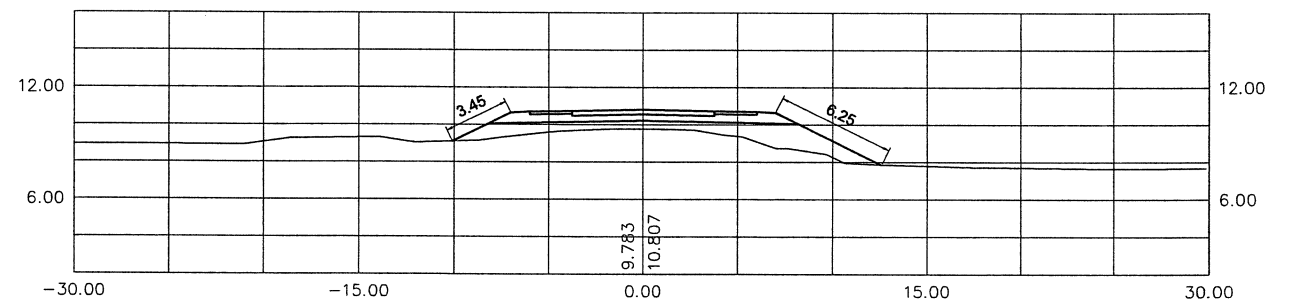
STA.16+200

42.115 Sq.m.



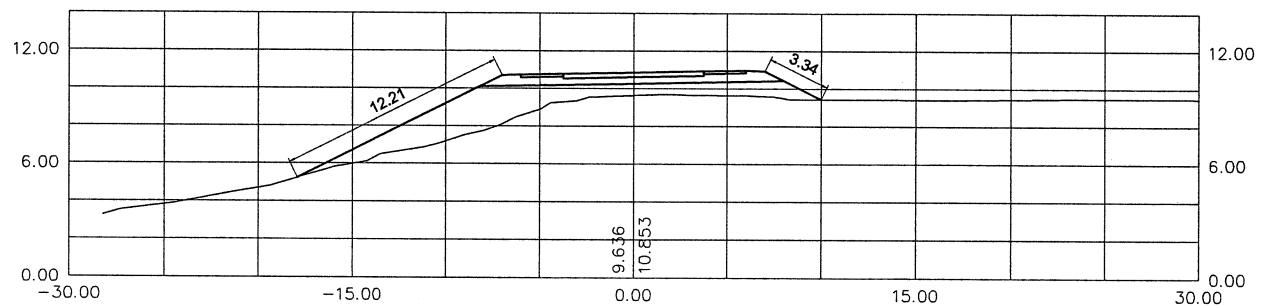
STA.17+000

14.775 Sq.m.



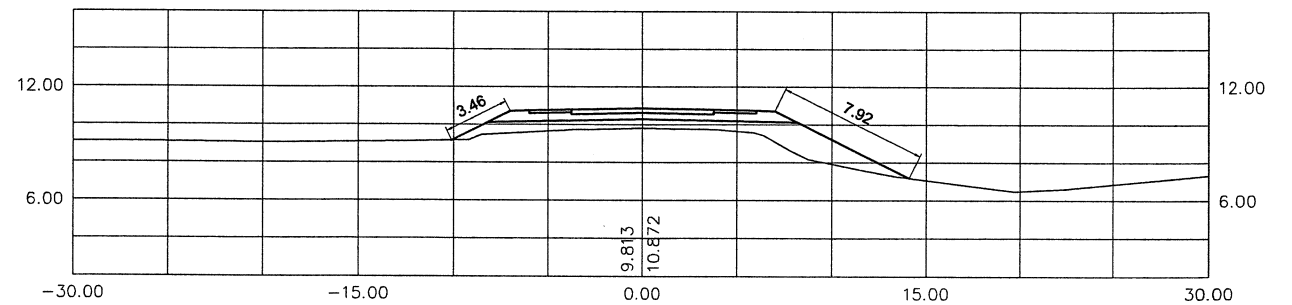
STA.16+000

27.896 Sq.m.



STA.16+800

15.875 Sq.m.



MINISTRY OF  
PUBLIC WORKS AND TRANSPORT  
(MPWT)

THE FEASIBILITY STUDY ON THE  
IMPROVEMENT OF NATIONAL ROAD NO.1  
(PHNOM PENH-NEAK LOUENG SECTION)  
IN THE KINGDOM OF CAMBODIA

JAPAN INTERNATIONAL COOPERATION AGENCY  
PACIFIC CONSULTANTS INTERNATIONAL &  
KATAHIRA & ENGINEERS INTERNATIONAL

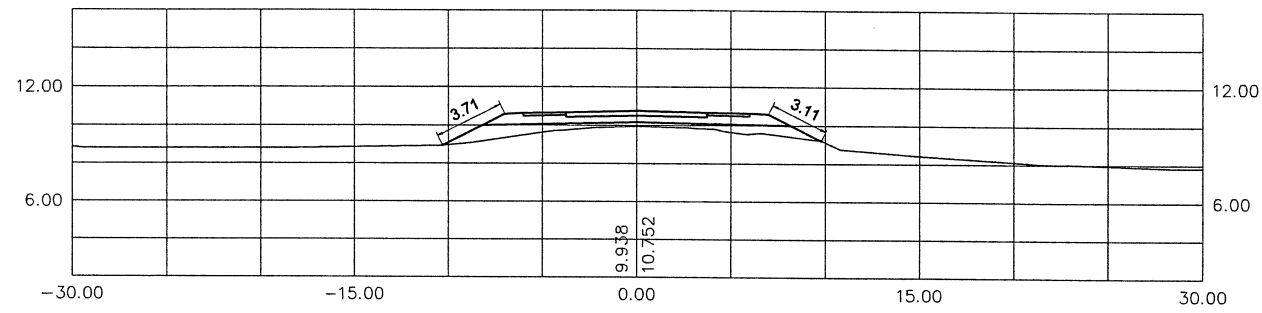
TITLE :  
CROSS SECTION  
CH. 16km+000m - CH.17km+400m

SCALE  
1/400

Drawing No.  
B-95

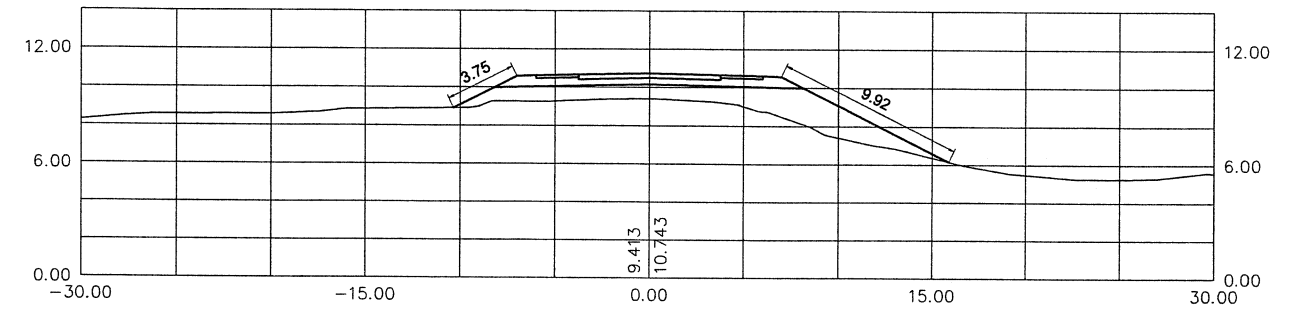
STA.18+200

7.660 Sq.m.



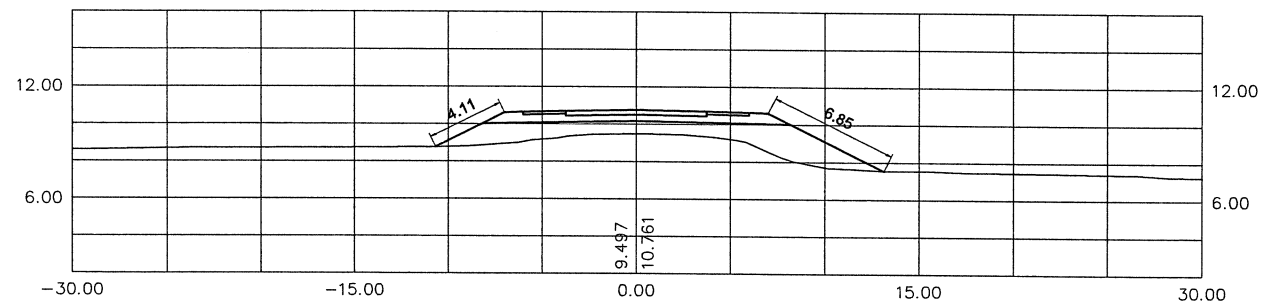
STA.19+000

23.924 Sq.m.



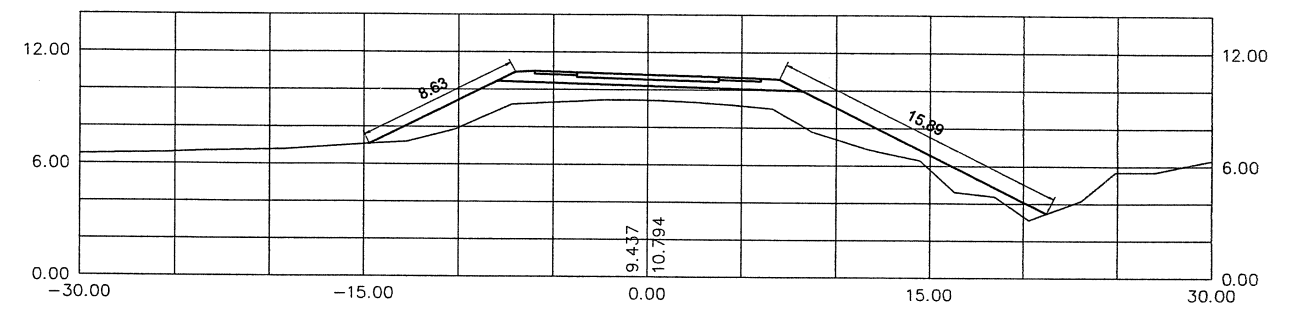
STA.18+000

21.467 Sq.m.



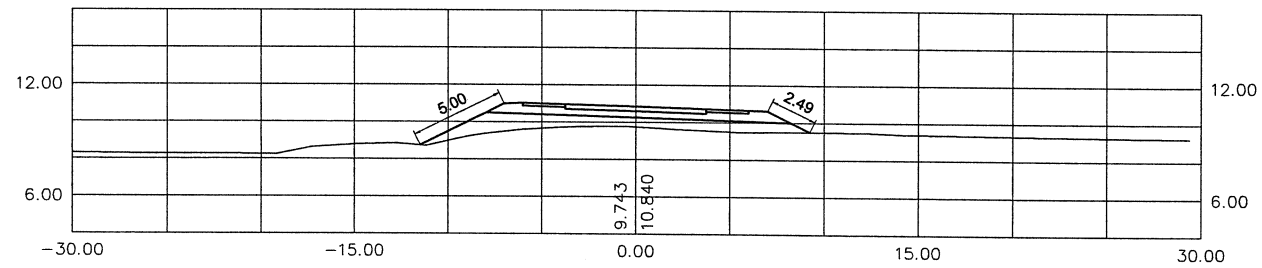
STA.18+800

36.679 Sq.m.



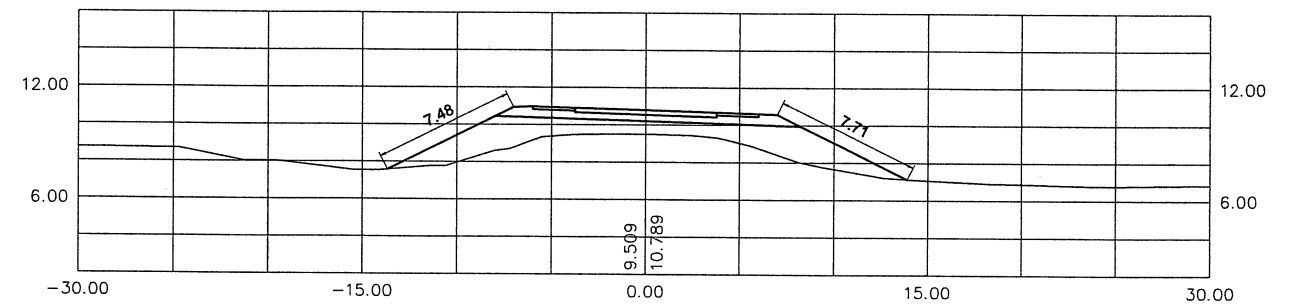
STA.17+800

12.488 Sq.m.



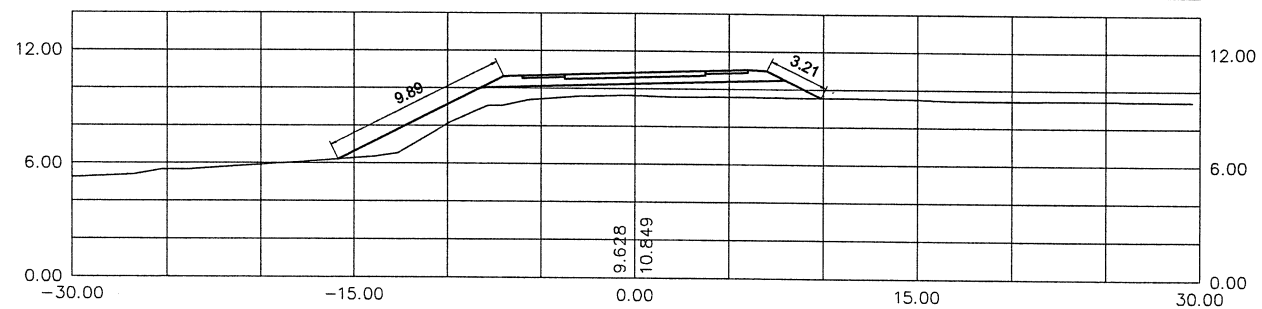
STA.18+600

28.716 Sq.m.



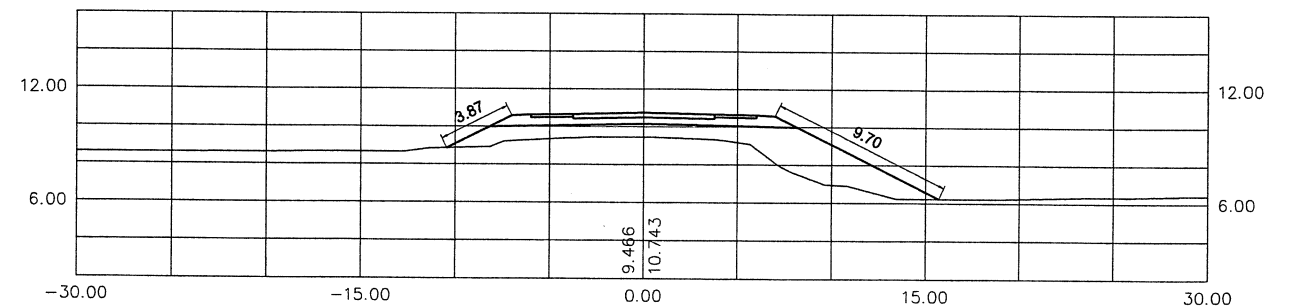
STA.17+600

20.096 Sq.m.



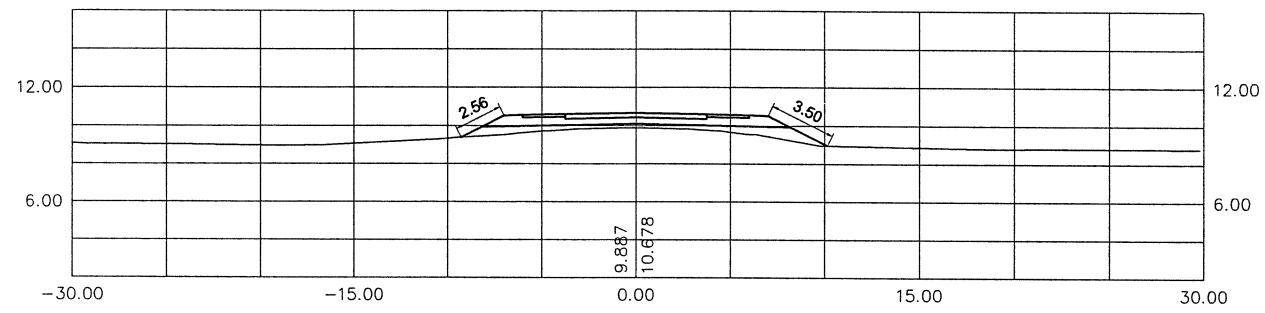
STA.18+400

26.822 Sq.m.



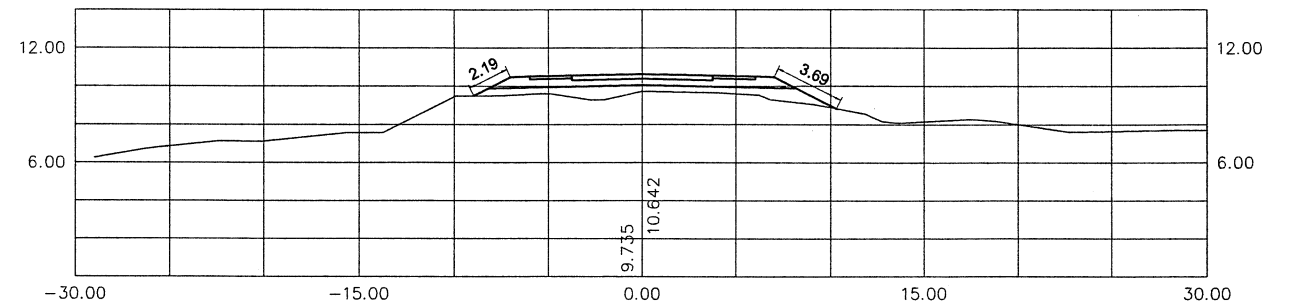
STA.19+800

6.007 Sq.m.



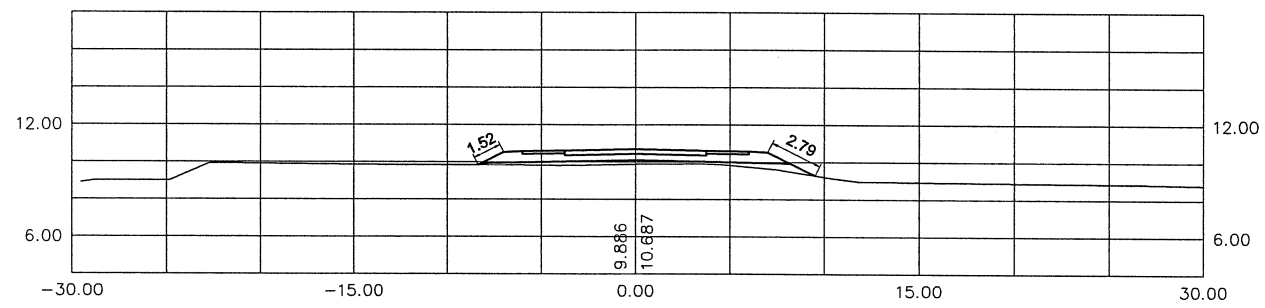
STA.20+600

8.071 Sq.m.



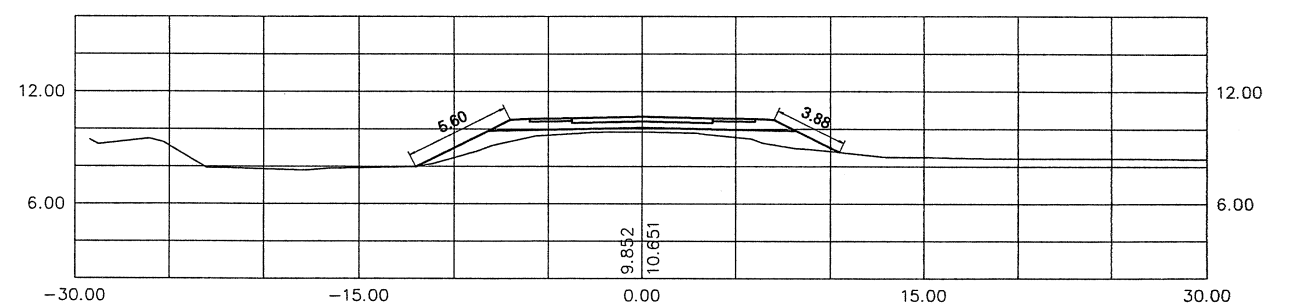
STA.19+600

3.447 Sq.m.



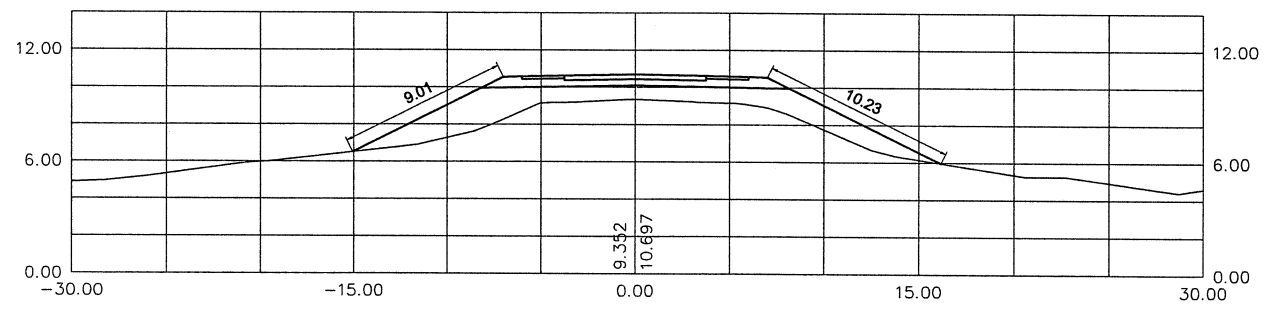
STA.20+400

9.171 Sq.m.



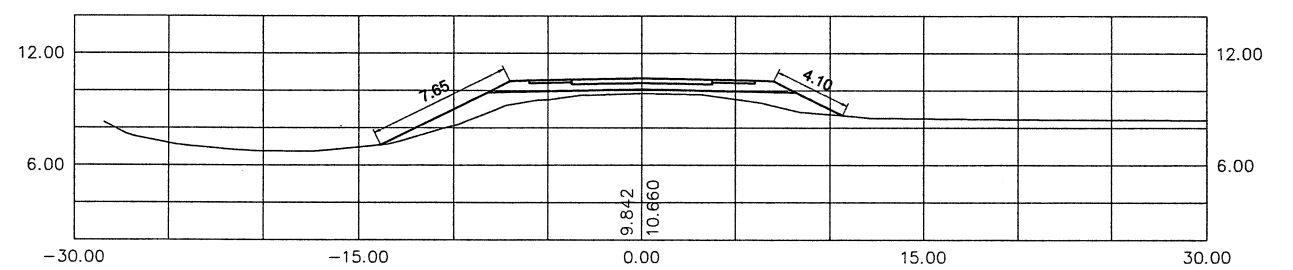
STA.19+400

32.275 Sq.m.



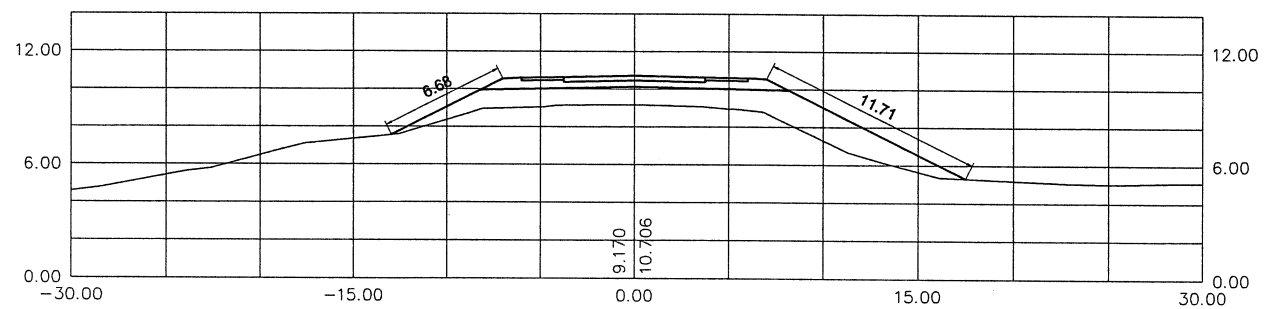
STA.20+200

12.024 Sq.m.



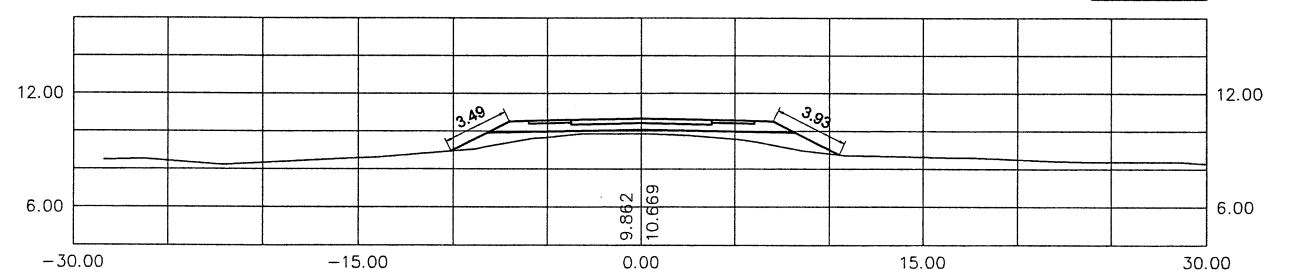
STA.19+200

30.928 Sq.m.



STA.20+000

7.717 Sq.m.



MINISTRY OF  
PUBLIC WORKS AND TRANSPORT  
(MPWT)

THE FEASIBILITY STUDY ON THE  
IMPROVEMENT OF NATIONAL ROAD NO.1  
(PHNOM PENH-NEAK LOUENG SECTION)  
IN THE KINGDOM OF CAMBODIA

JAPAN INTERNATIONAL COOPERATION AGENCY  
PACIFIC CONSULTANTS INTERNATIONAL &  
KATAHIRA & ENGINEERS INTERNATIONAL

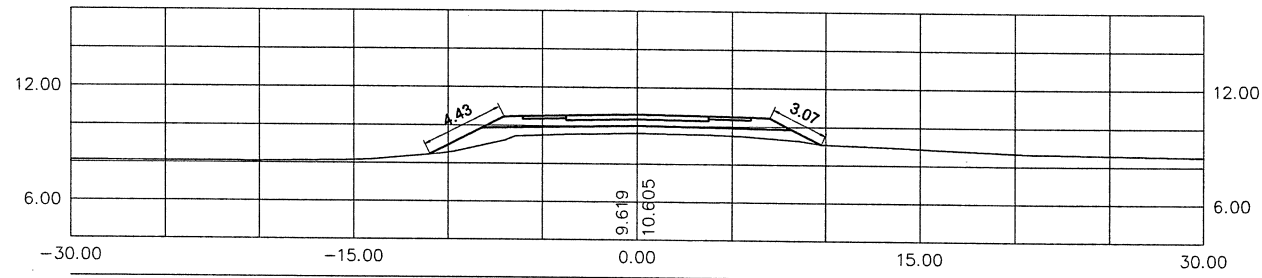
TITLE :  
CROSS SECTION  
CH. 19km+200m - CH.20km+600m

SCALE  
1/400

Drawing No.  
B-97

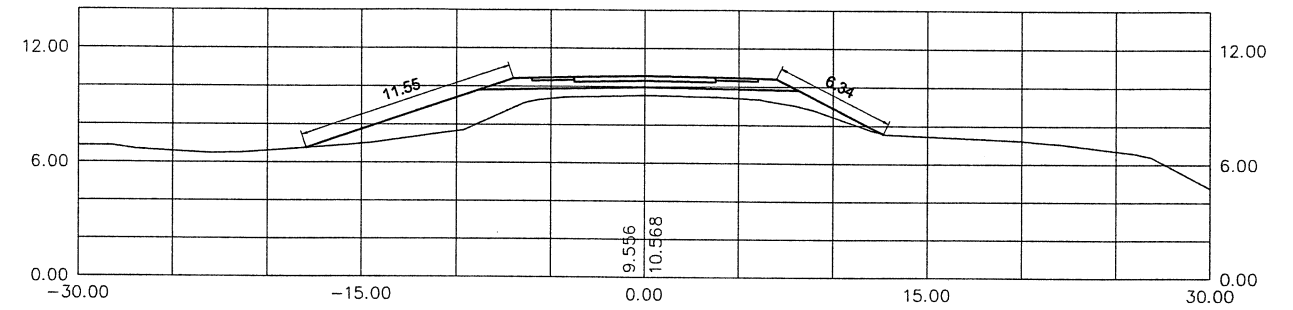
STA.21+400

9.218 Sq.m.



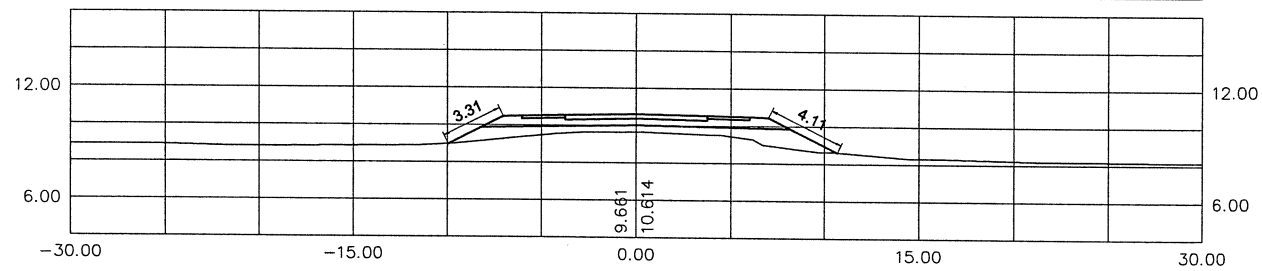
STA.22+200

21.561 Sq.m.



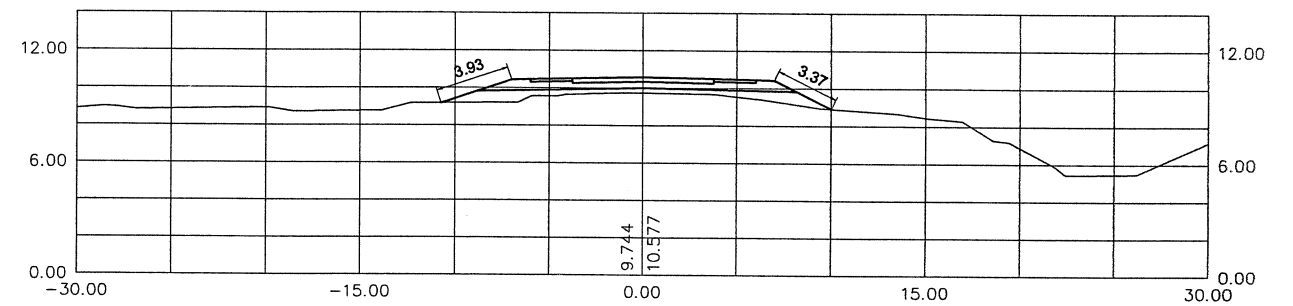
STA.21+200

10.201 Sq.m.



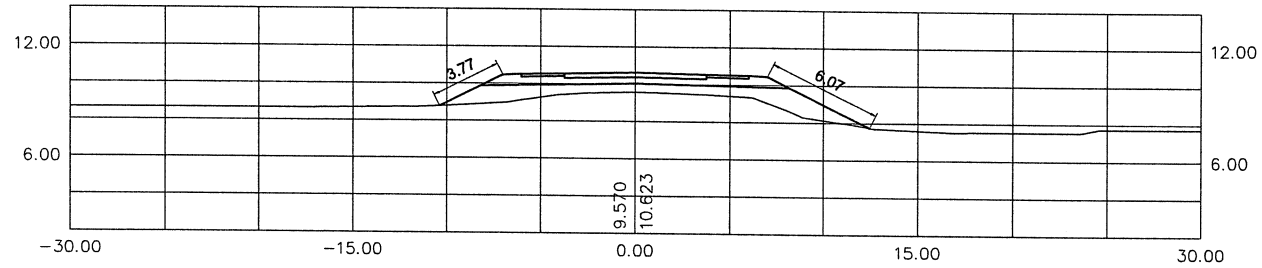
STA.22+000

7.437 Sq.m.



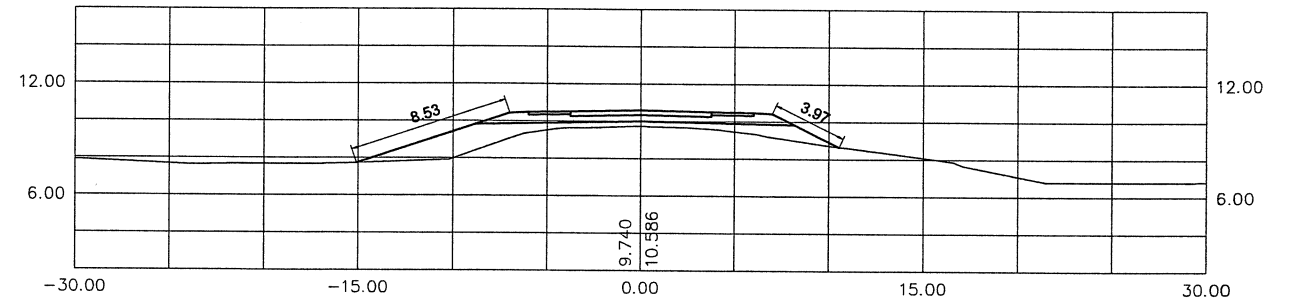
STA.21+000

14.235 Sq.m.



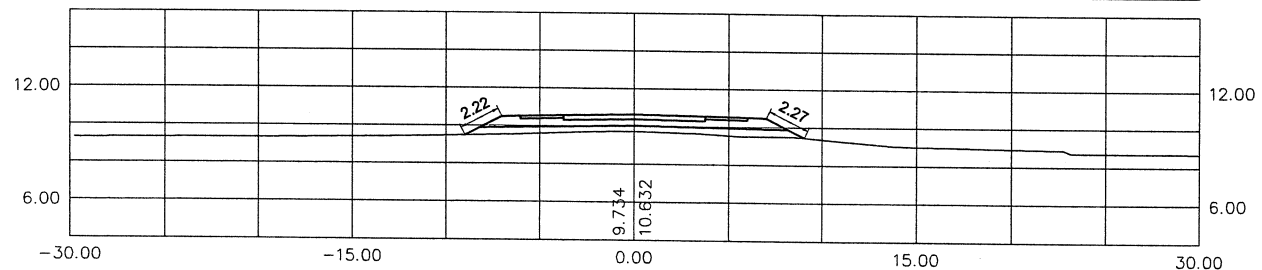
STA.21+800

14.617 Sq.m.



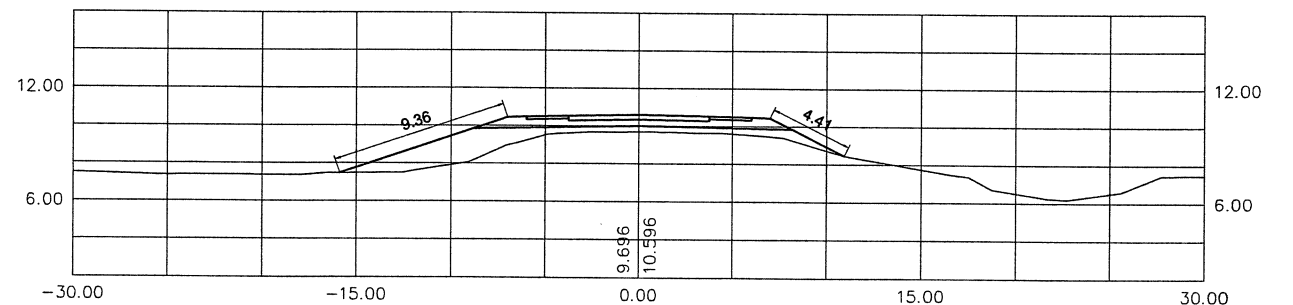
STA.20+800

6.028 Sq.m.



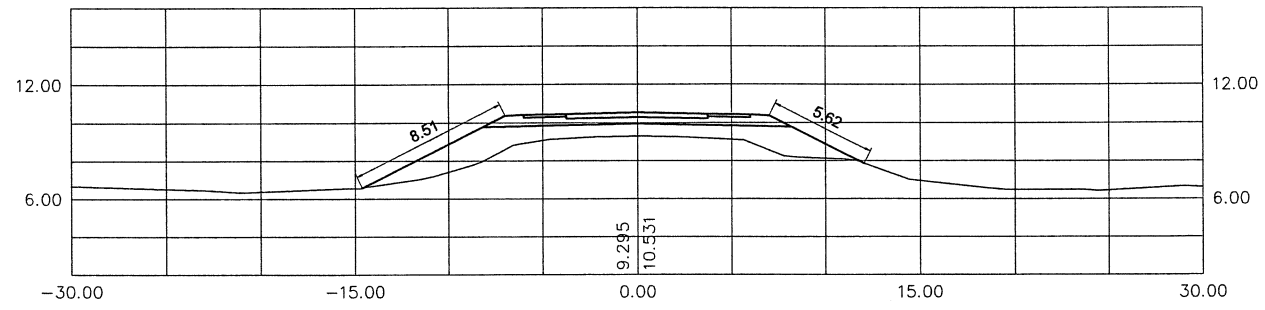
STA.21+600

15.804 Sq.m.



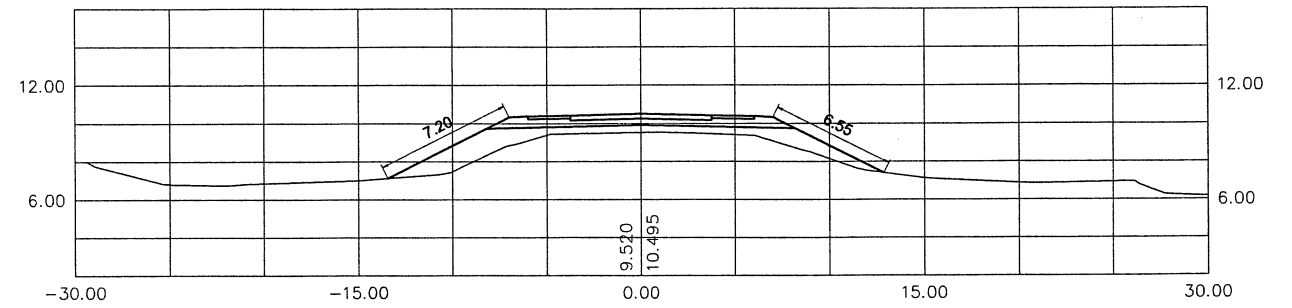
STA.23+000

23.255 Sq.m.



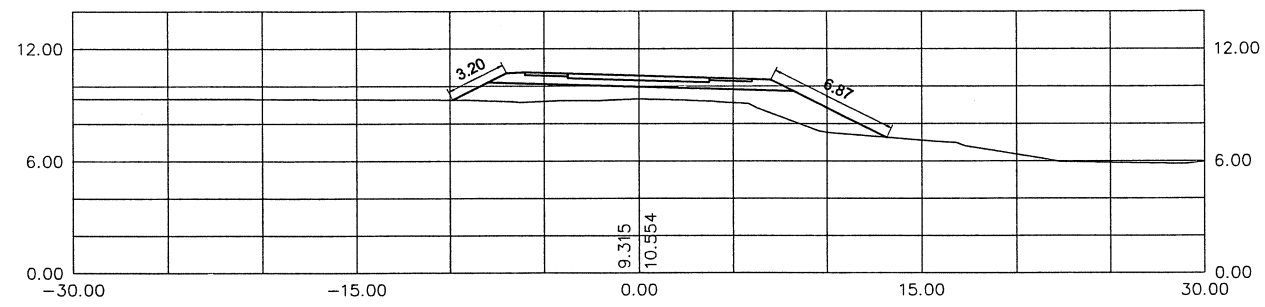
STA.23+800

16.217 Sq.m.



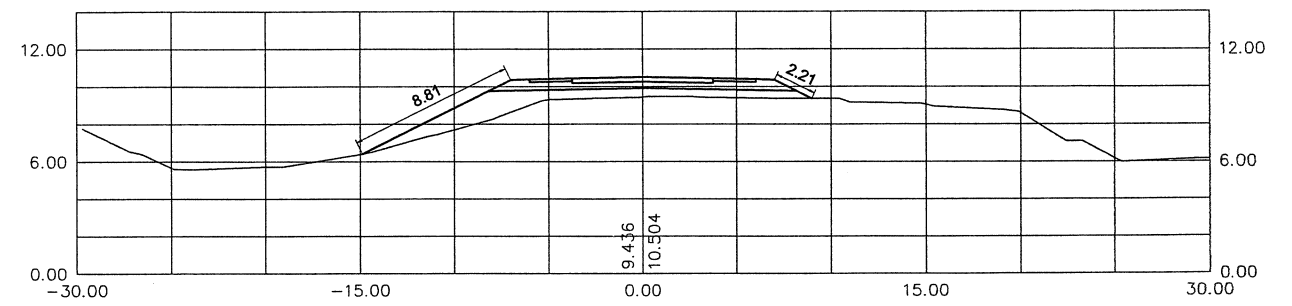
STA.22+800

19.276 Sq.m.



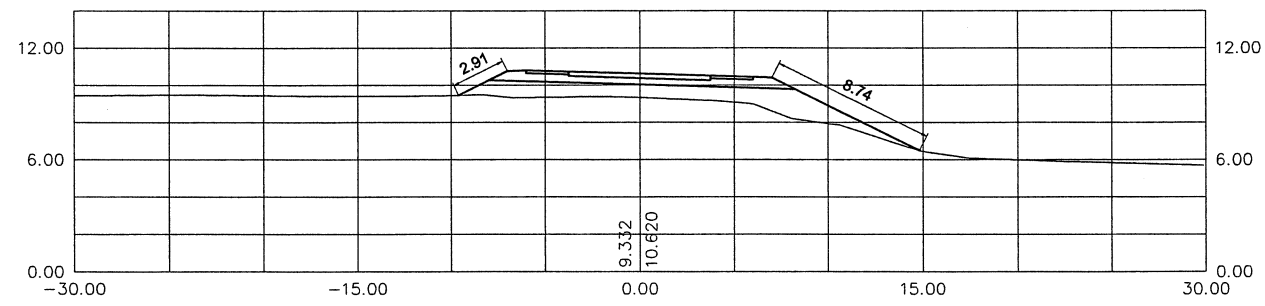
STA.23+600

14.548 Sq.m.



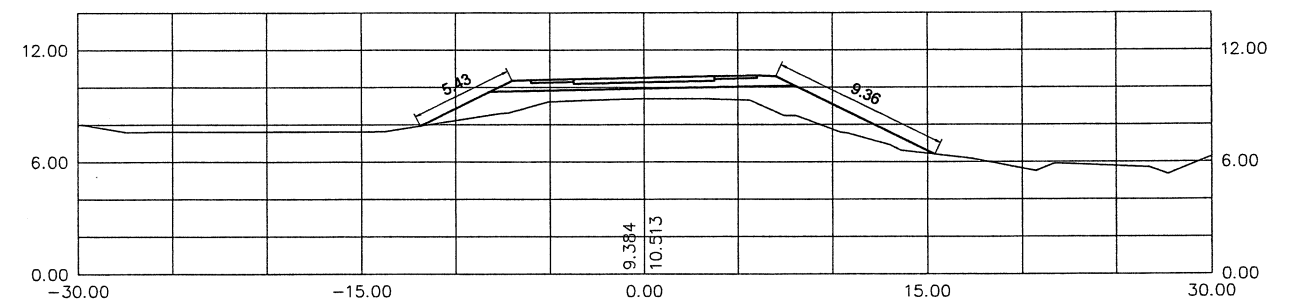
STA.22+600

18.629 Sq.m.



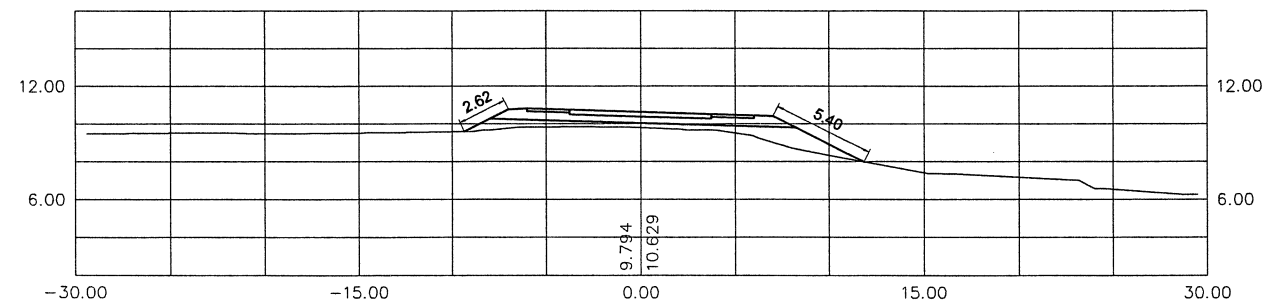
STA.23+400

21.601 Sq.m.



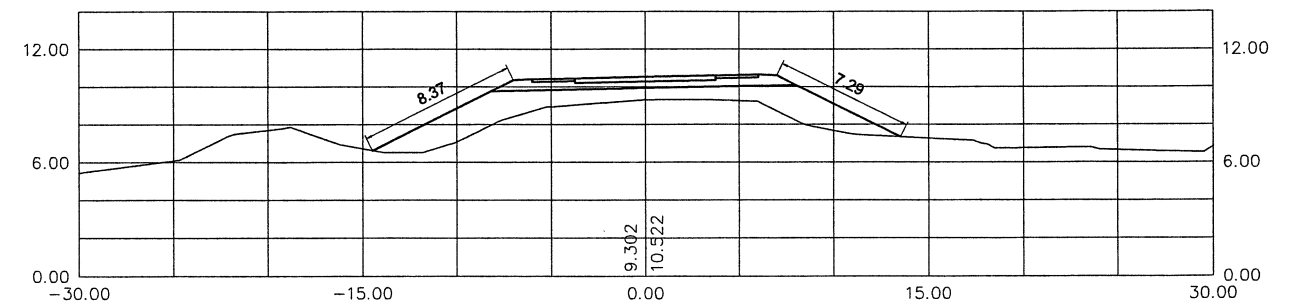
STA.22+400

8.898 Sq.m.



STA.23+200

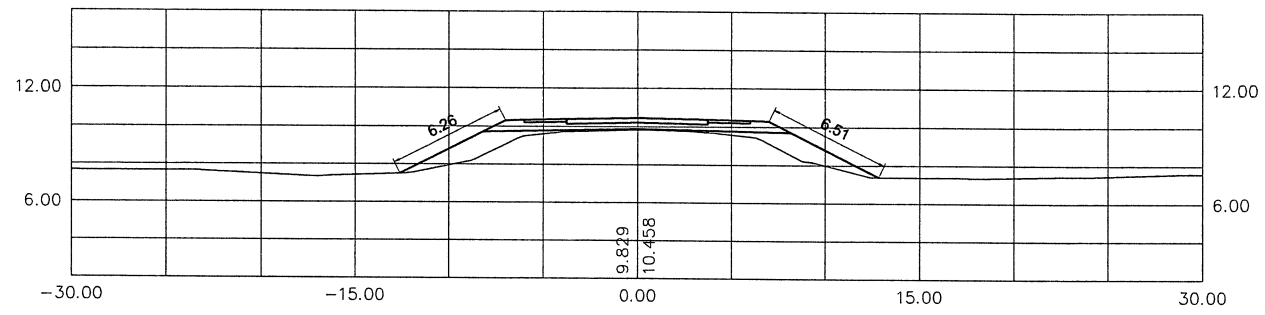
29.110 Sq.m.





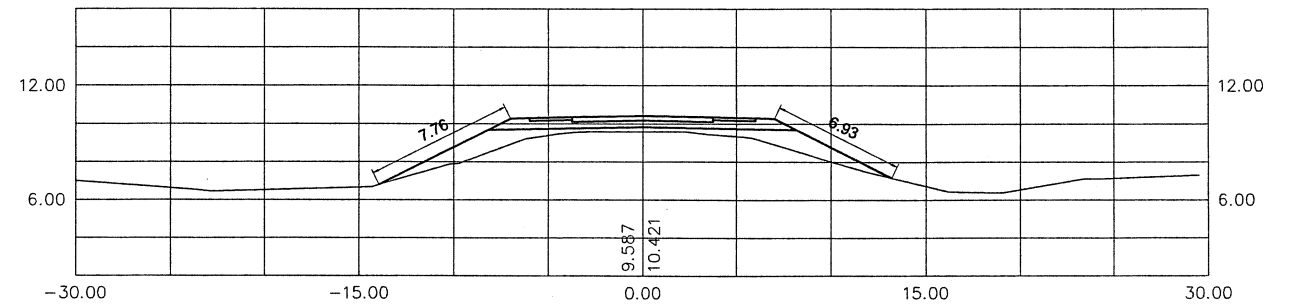
STA.24+600

10.660 Sq.m.



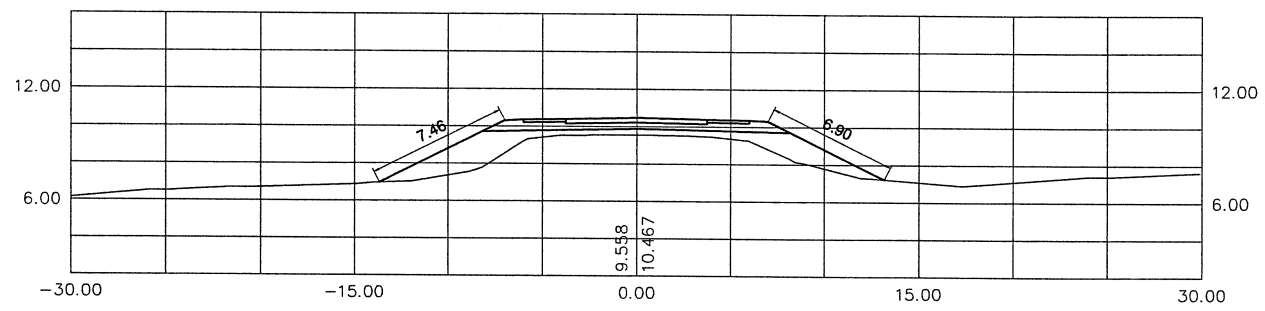
STA.25+400

13.477 Sq.m.



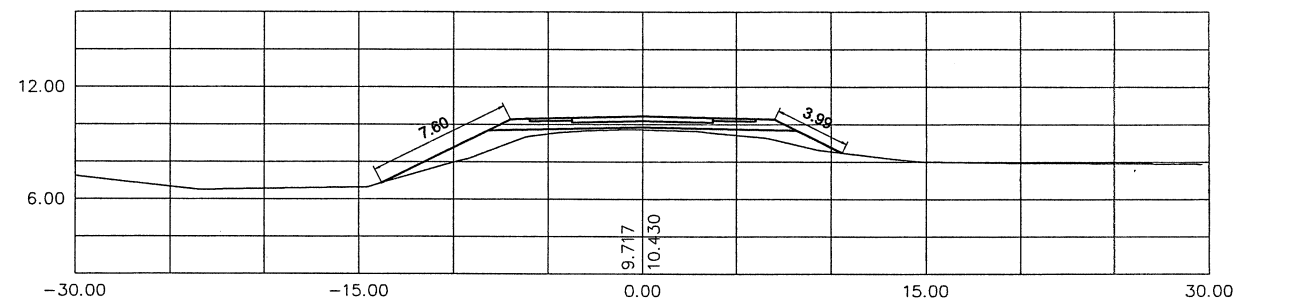
STA.24+400

18.942 Sq.m.



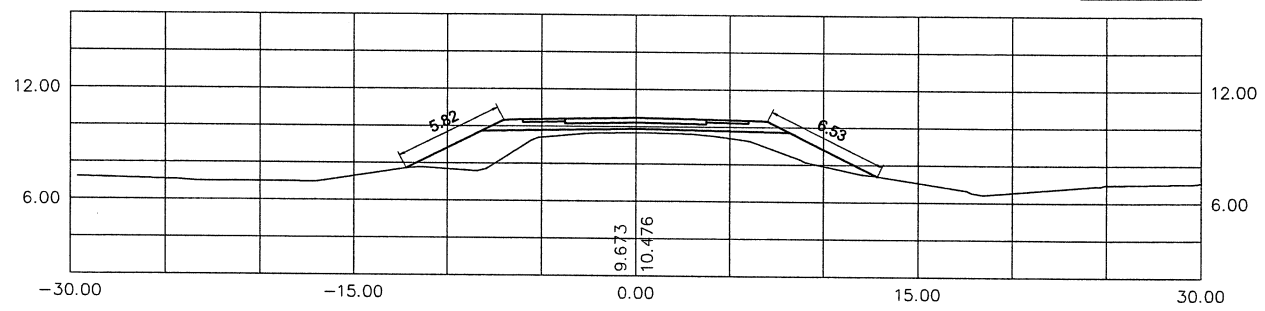
STA.25+200

9.269 Sq.m.



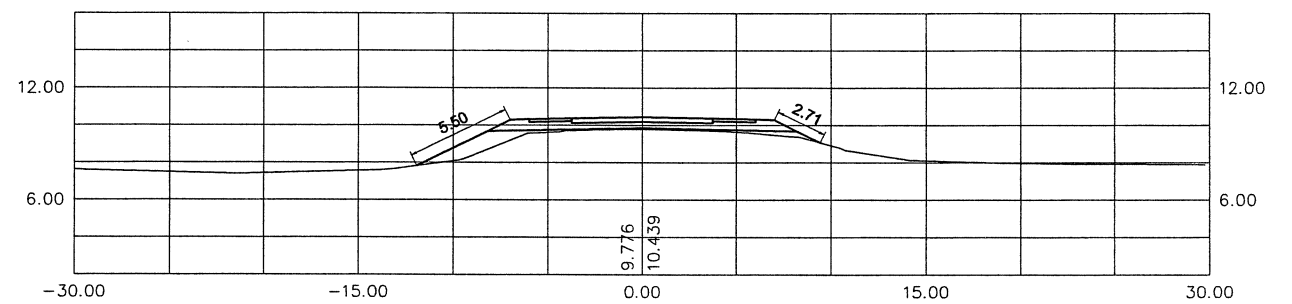
STA.24+200

16.119 Sq.m.



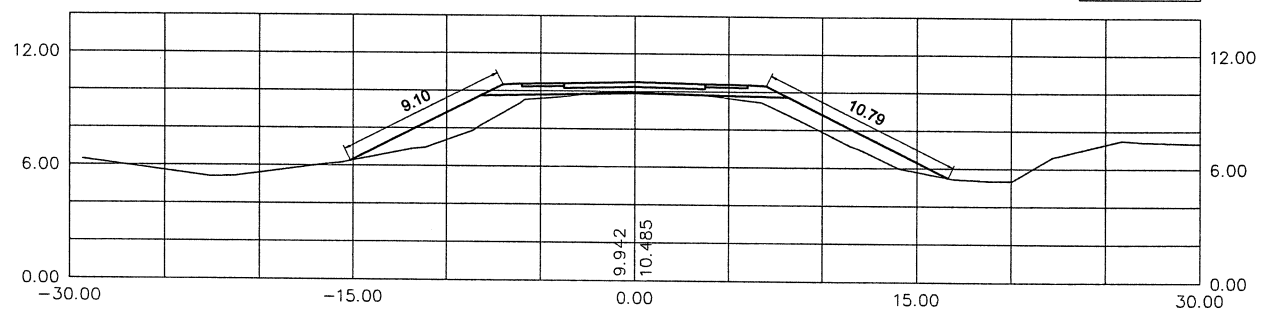
STA.25+000

5.228 Sq.m.



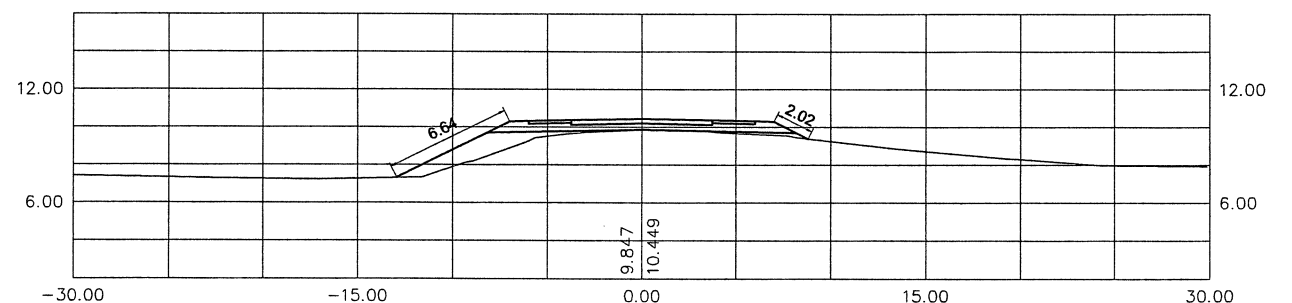
STA.24+000

17.151 Sq.m.



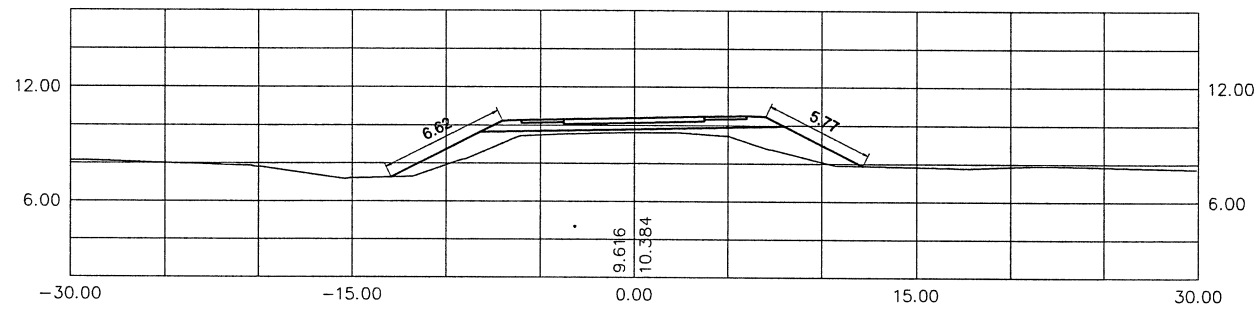
STA.24+800

6.857 Sq.m.



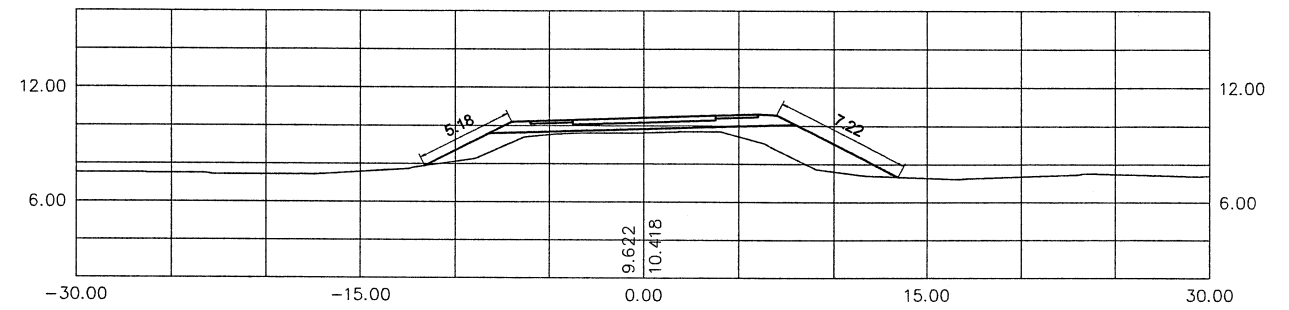
STA.26+200

13.384 Sq.m.



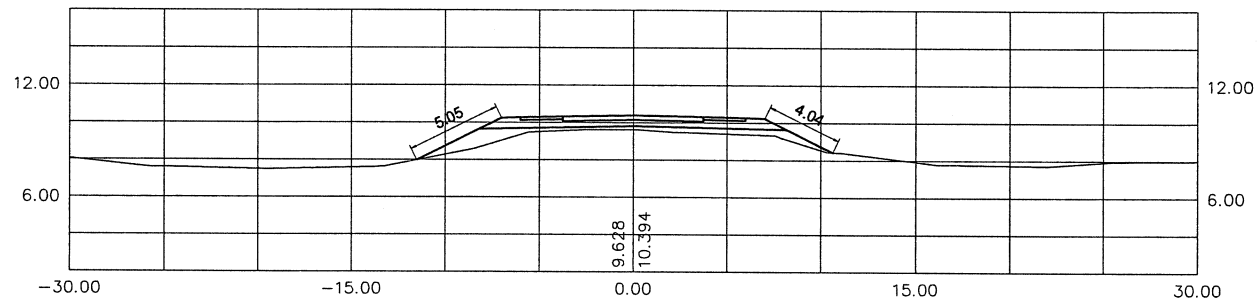
STA.27+000

14.873 Sq.m.



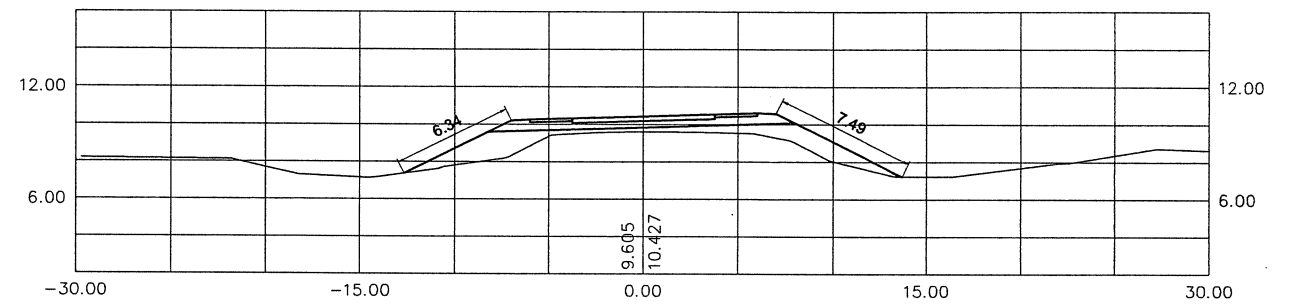
STA.26+000

7.259 Sq.m.



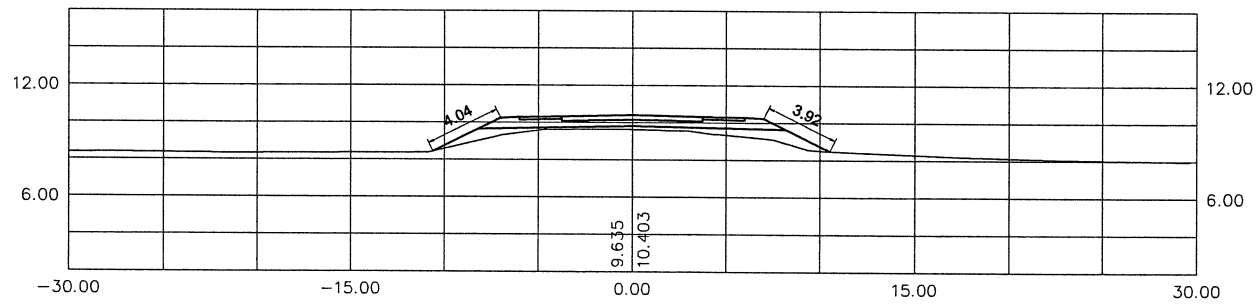
STA.26+800

15.791 Sq.m.



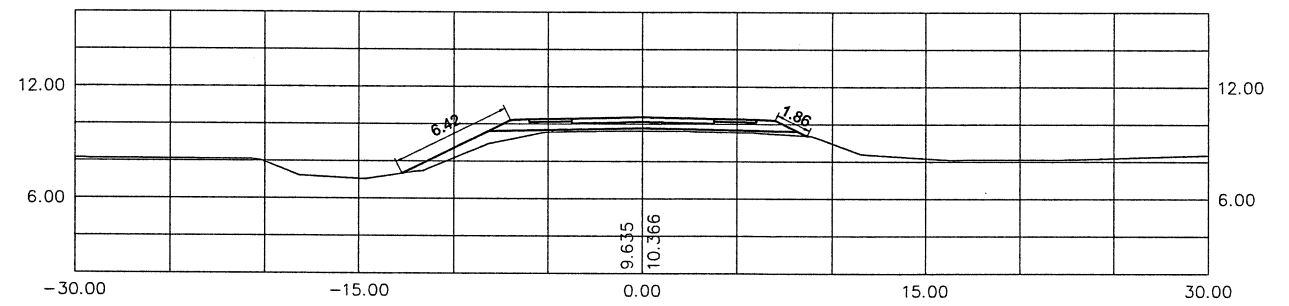
STA.25+800

6.312 Sq.m.



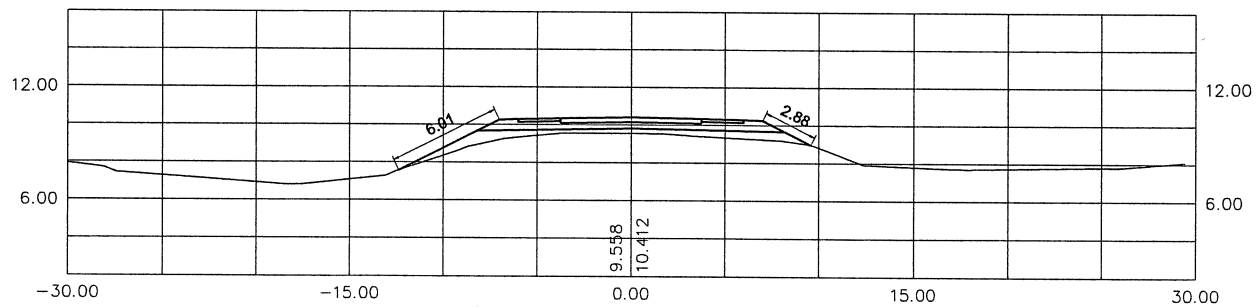
STA.26+600

5.081 Sq.m.



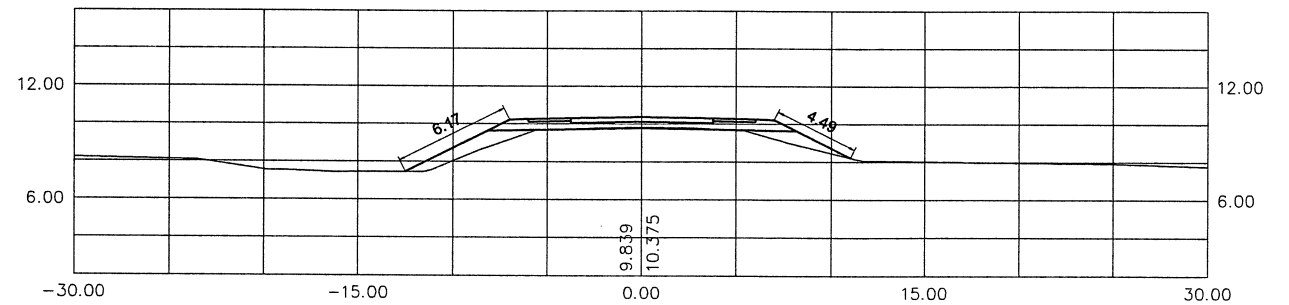
STA.25+600

7.309 Sq.m.



STA.26+400

5.772 Sq.m.



MINISTRY OF  
PUBLIC WORKS AND TRANSPORT  
(MPWT)

THE FEASIBILITY STUDY ON THE  
IMPROVEMENT OF NATIONAL ROAD NO.1  
(PHNOM PENH-NEAK LOUENG SECTION)  
IN THE KINGDOM OF CAMBODIA

JAPAN INTERNATIONAL COOPERATION AGENCY  
PACIFIC CONSULTANTS INTERNATIONAL &  
KATAHIRA & ENGINEERS INTERNATIONAL

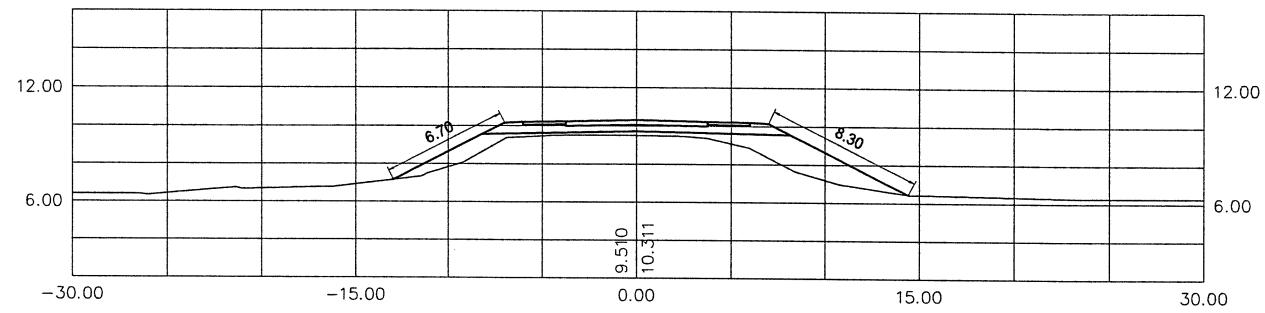
TITLE :  
CROSS SECTION  
CH. 25km+600m - CH.27km+000m

SCALE  
1/400

Drawing No.  
B-101

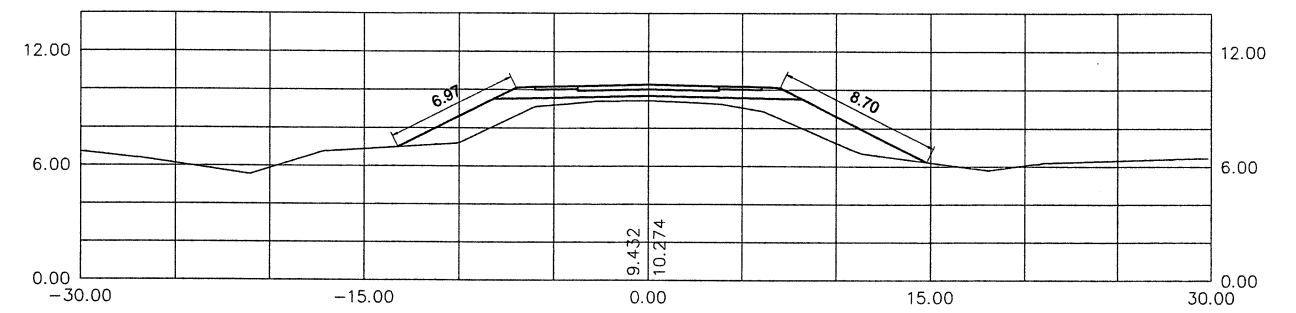
STA.27+800

16.241 Sq.m.



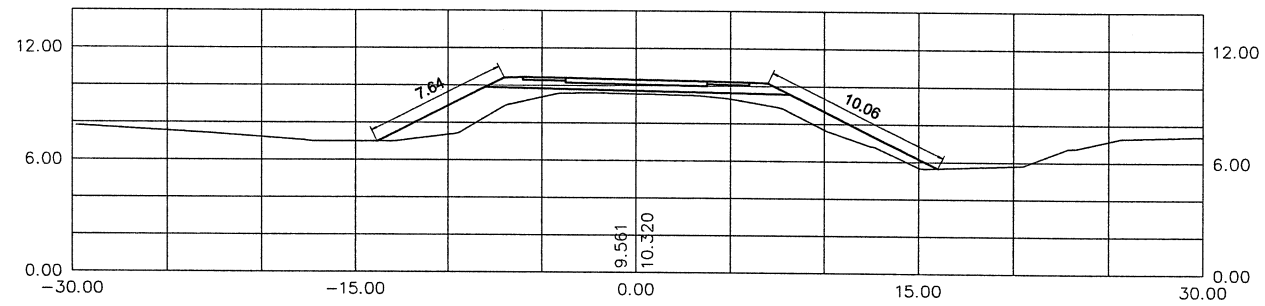
STA.28+600

19.897 Sq.m.



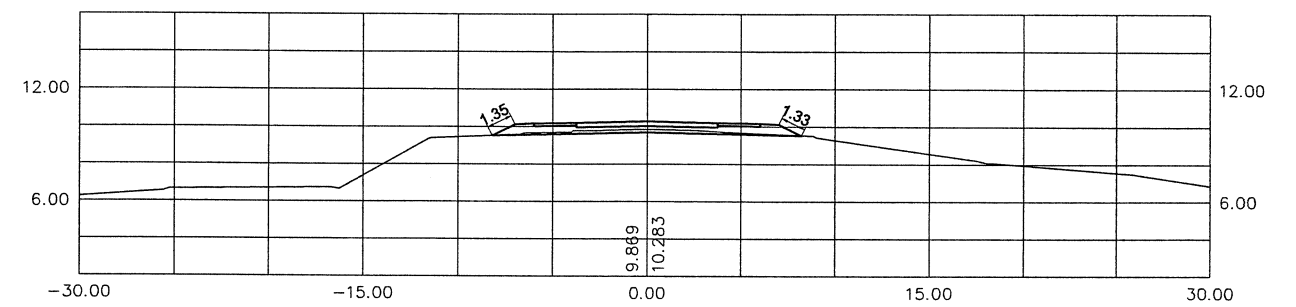
STA.27+600

18.203 Sq.m.



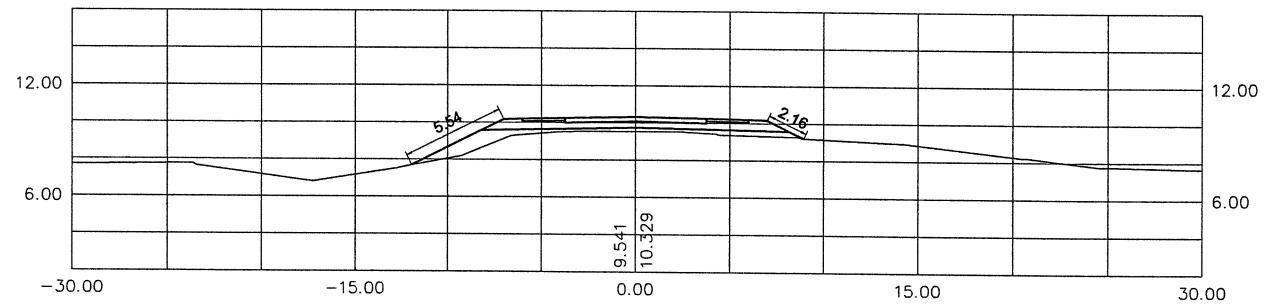
STA.28+400

0.002 Sq.m.



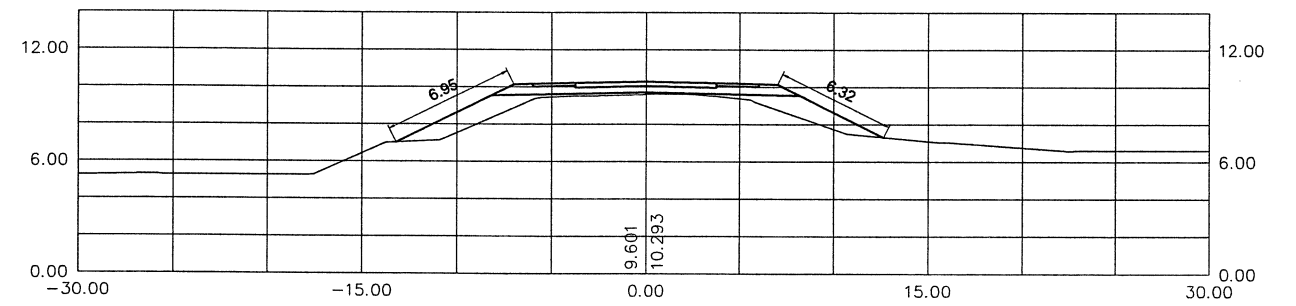
STA.27+400

6.418 Sq.m.



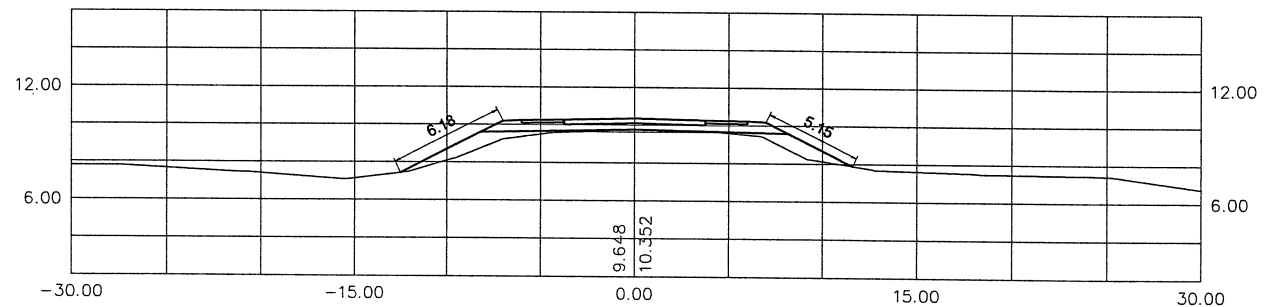
STA.28+200

12.551 Sq.m.



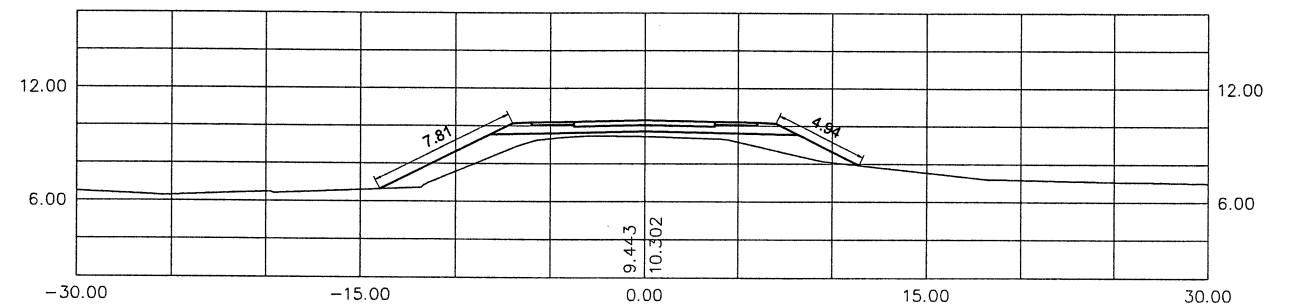
STA.27+200

7.182 Sq.m.



STA.28+000

14.214 Sq.m.



MINISTRY OF  
PUBLIC WORKS AND TRANSPORT  
(MPWT)

THE FEASIBILITY STUDY ON THE  
IMPROVEMENT OF NATIONAL ROAD NO.1  
(PHNOM PENH-NEAK LOUENG SECTION)  
IN THE KINGDOM OF CAMBODIA

**JAPAN INTERNATIONAL COOPERATION AGENCY**  
PACIFIC CONSULTANTS INTERNATIONAL &  
KATAHIRA & ENGINEERS INTERNATIONAL

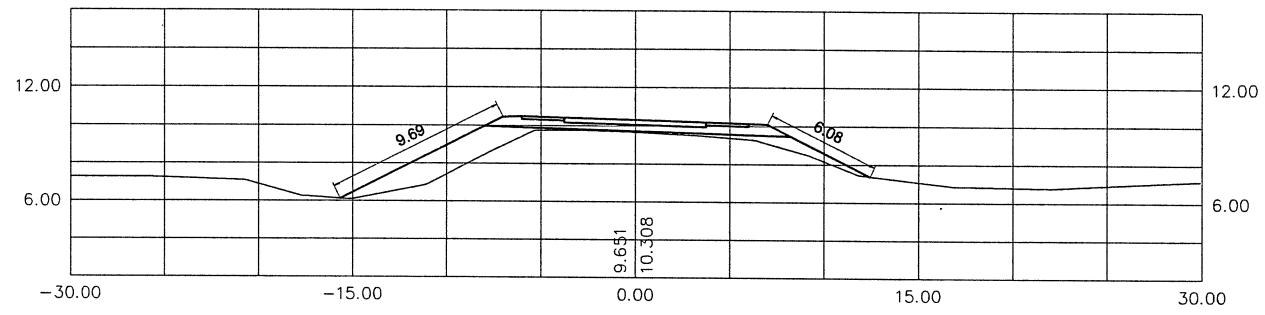
TITLE :  
CROSS SECTION  
CH. 27km+200m - CH.28km+600m

SCALE  
1/400

Drawing No.  
B-102

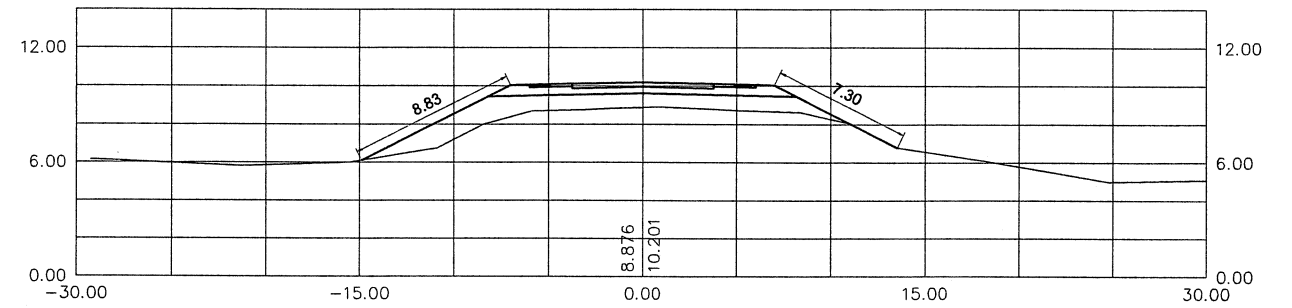
STA.29+400

14.549 Sq.m.



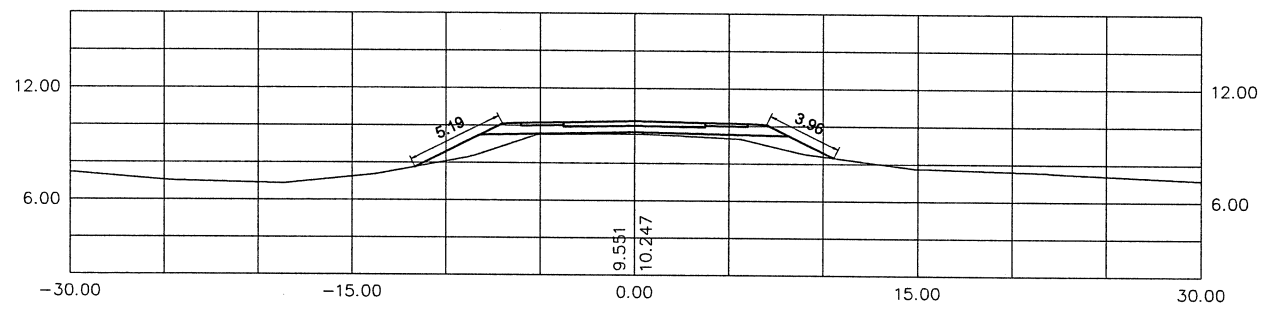
STA.30+200

20.888 Sq.m.



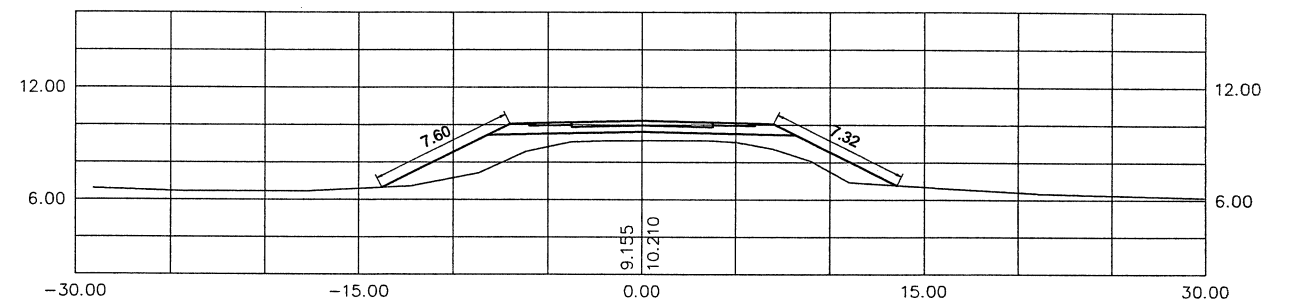
STA.29+200

6.976 Sq.m.



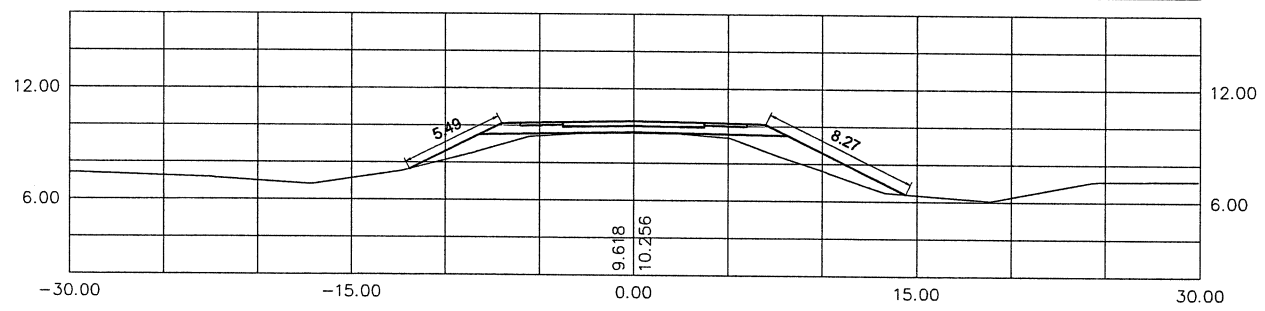
STA.30+000

20.840 Sq.m.



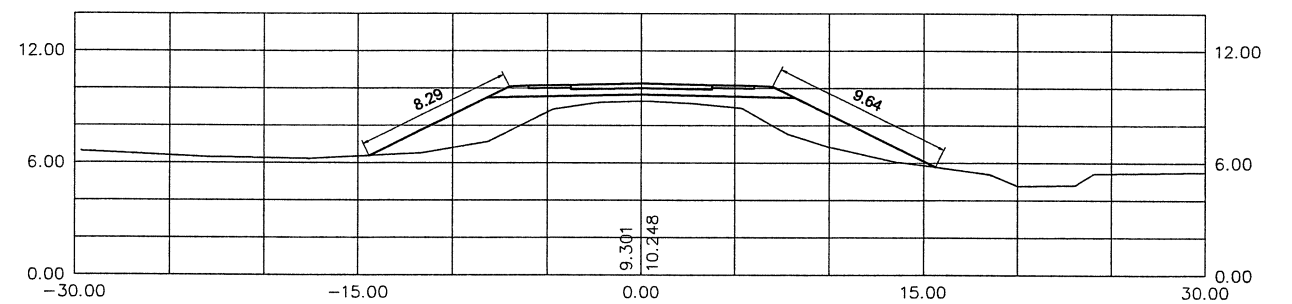
STA.29+000

10.750 Sq.m.



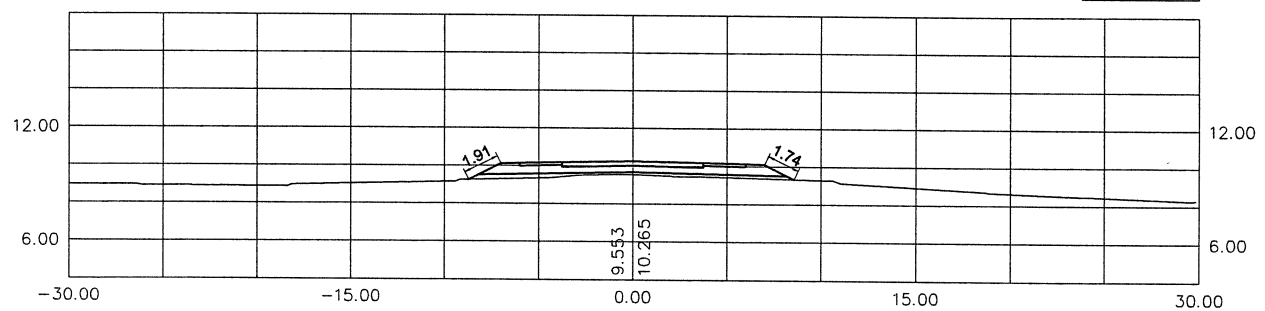
STA.29+800

30.473 Sq.m.



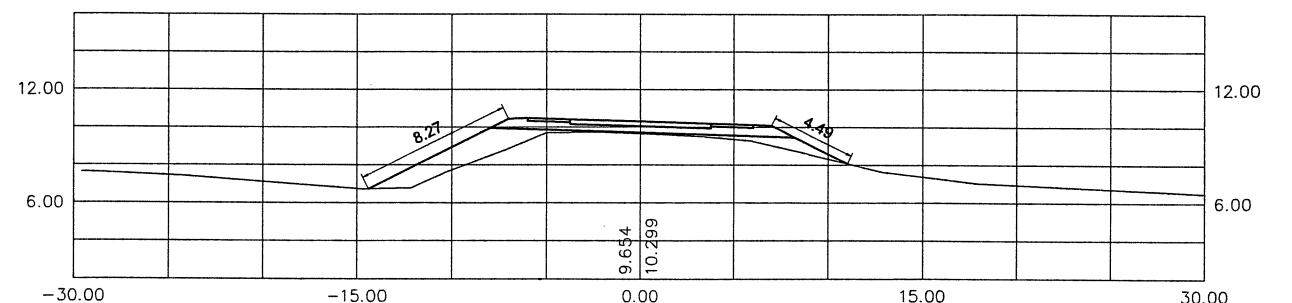
STA.28+800

2.870 Sq.m.



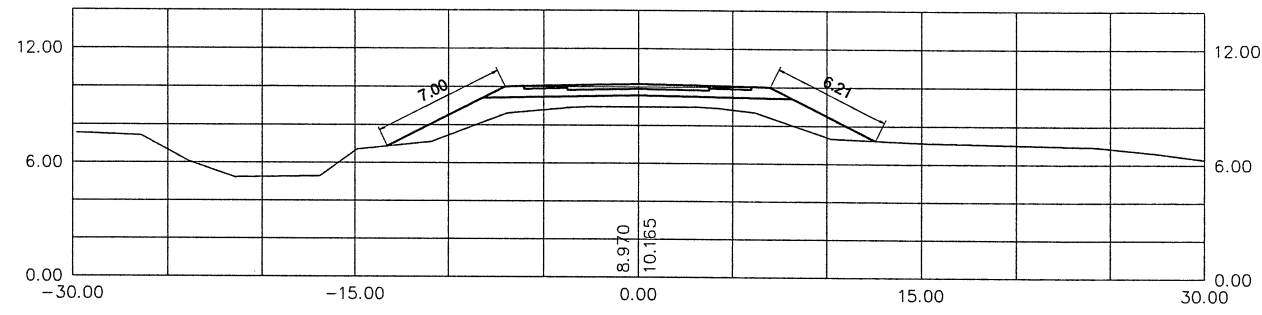
STA.29+600

12.078 Sq.m.



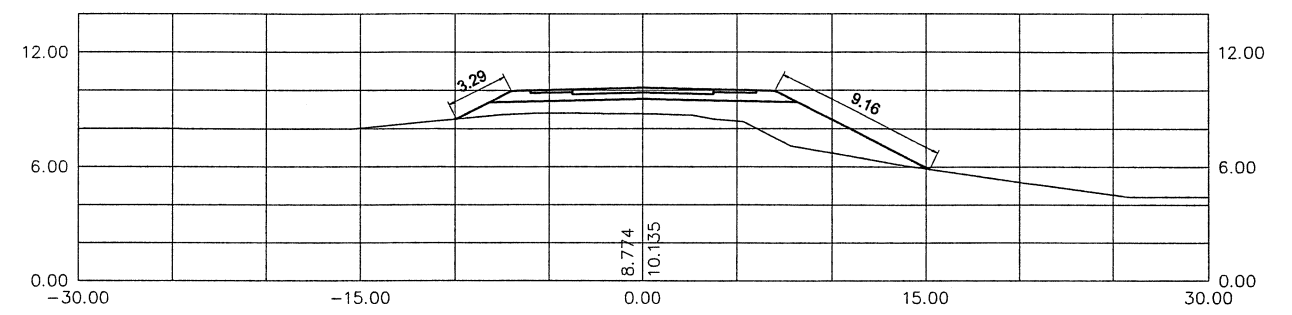
STA.31+000

19.463 Sq.m.



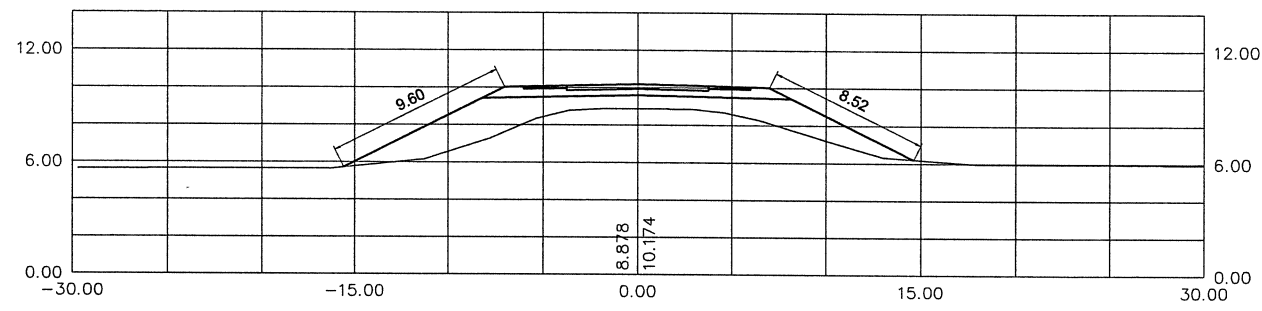
STA.31+800

24.234 Sq.m.



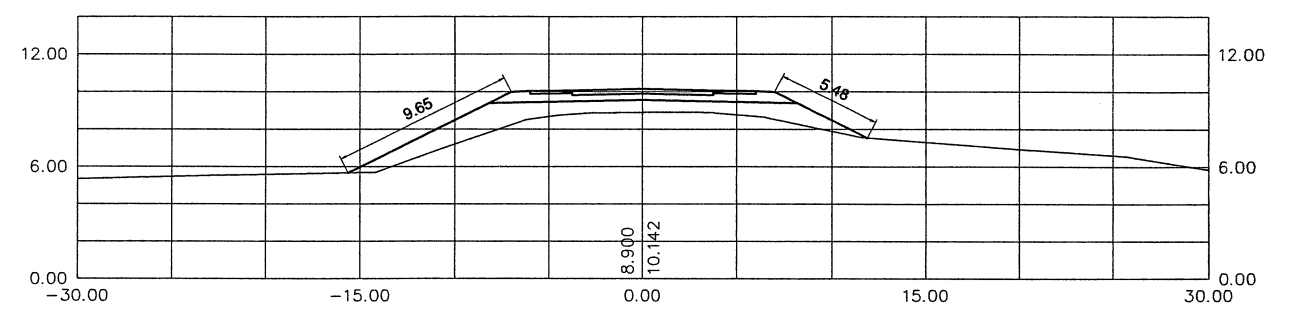
STA.30+800

32.768 Sq.m.



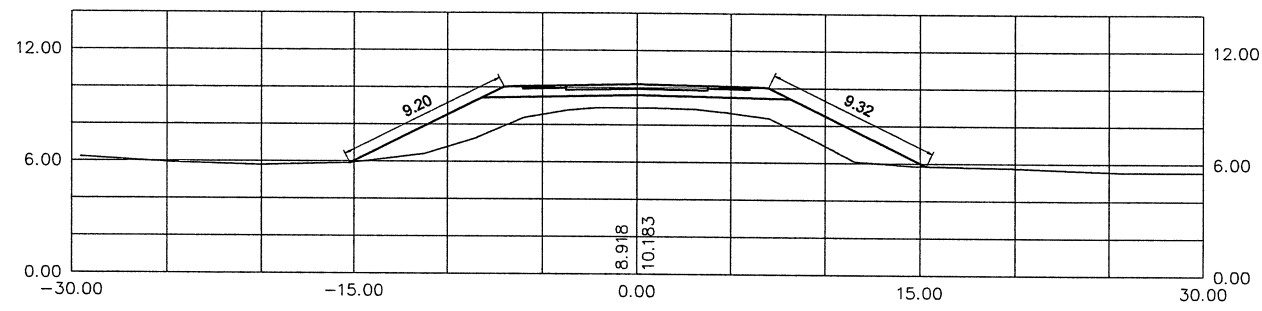
STA.31+600

22.008 Sq.m.



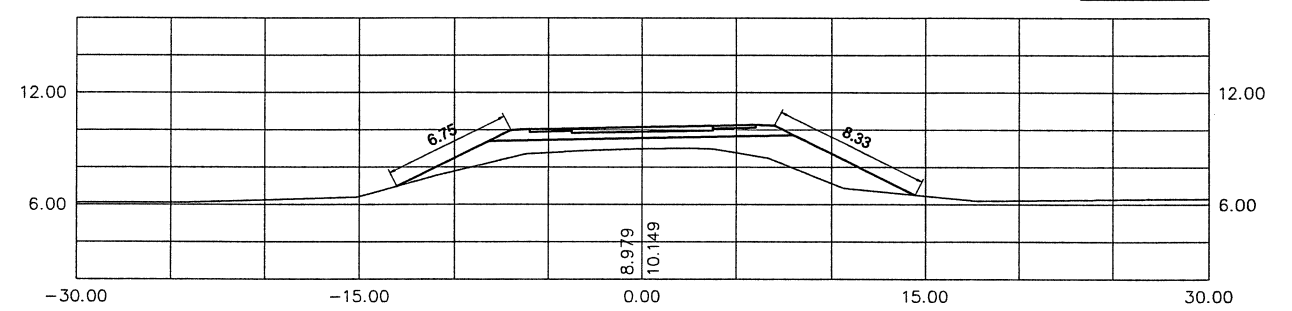
STA.30+600

32.226 Sq.m.



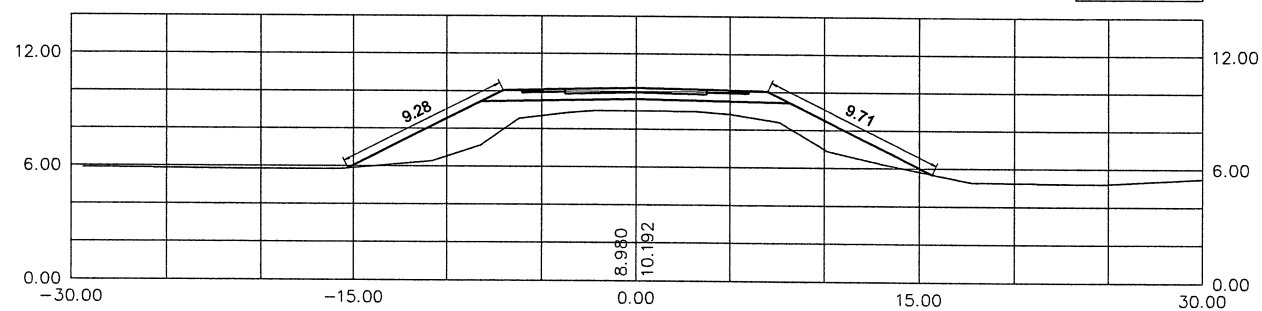
STA.31+400

22.862 Sq.m.



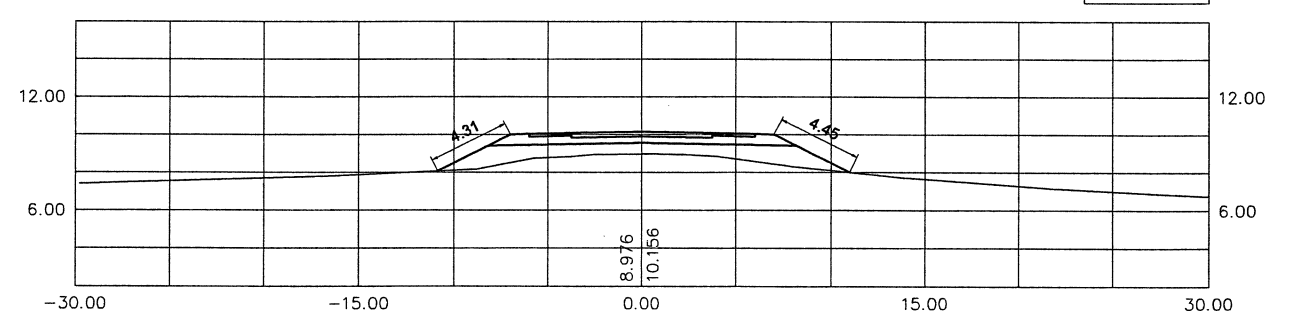
STA.30+400

30.537 Sq.m.



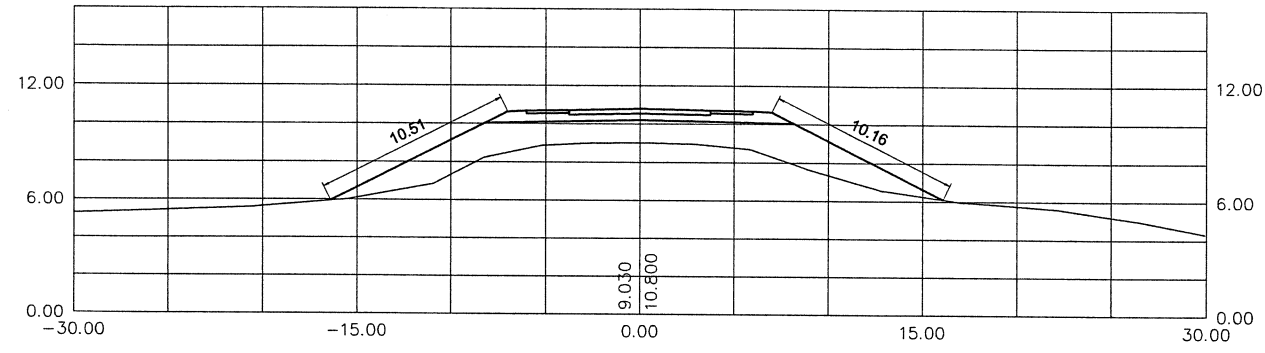
STA.31+200

15.018 Sq.m.



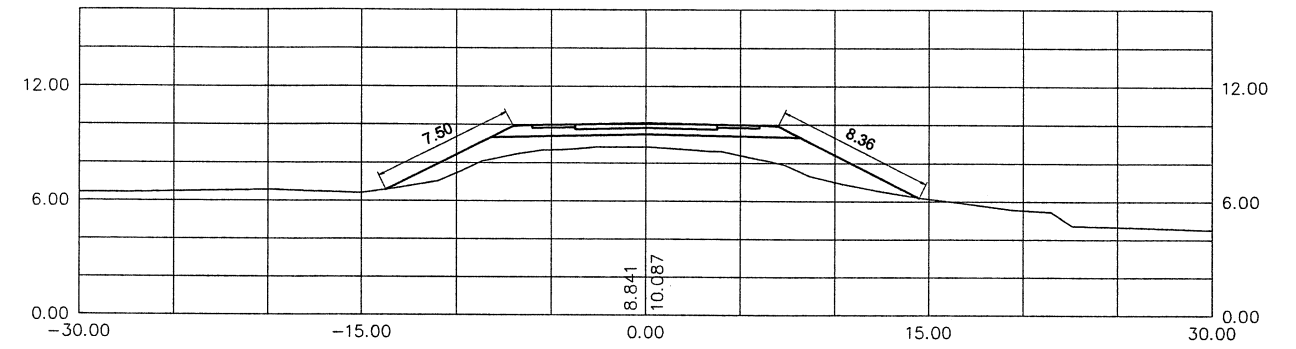
STA. 32+600

41.924 Sq.m.



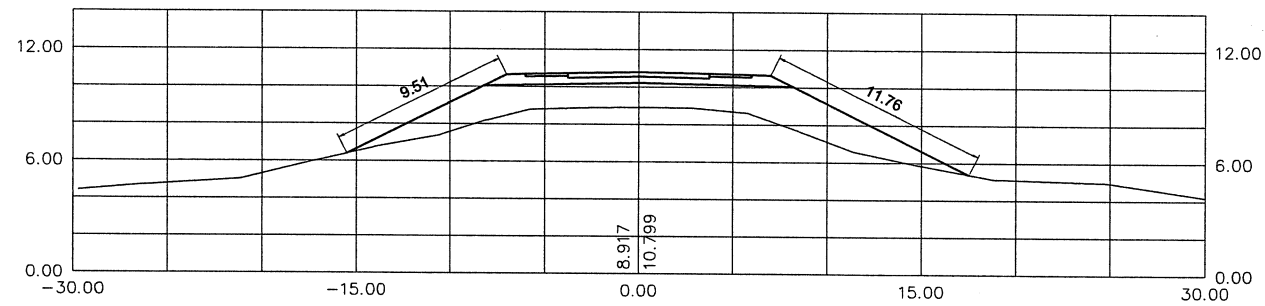
STA. 33+400

24.590 Sq.m.



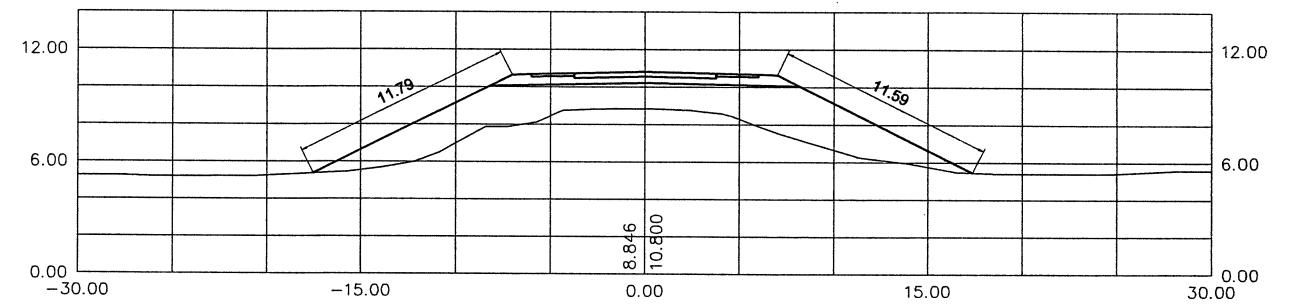
STA. 32+400

43.370 Sq.m.



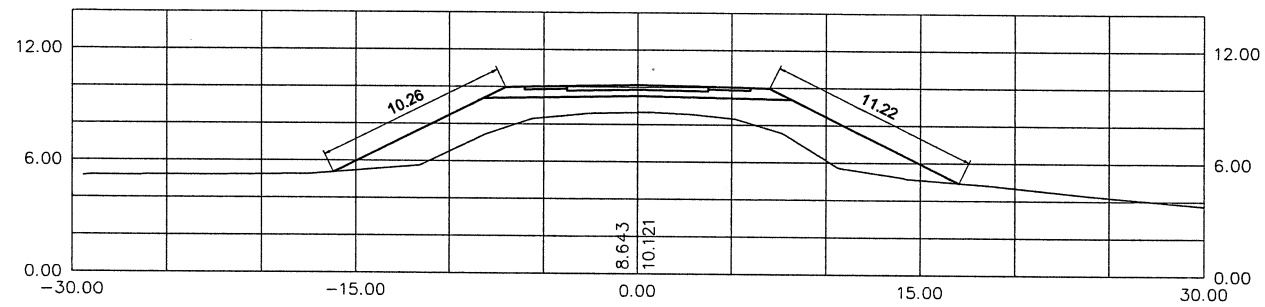
STA. 33+200

57.429 Sq.m.



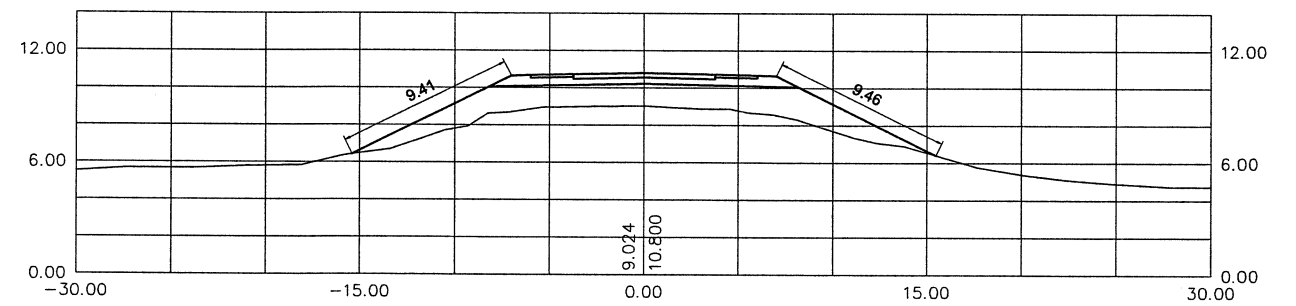
STA. 32+200

43.468 Sq.m.



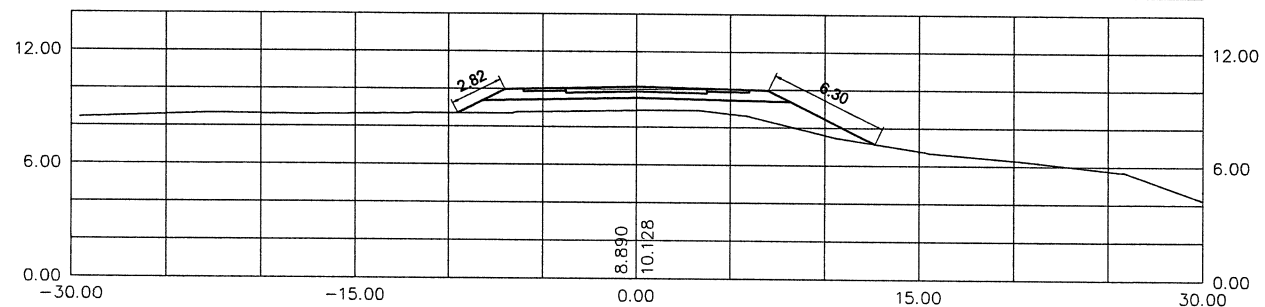
STA. 33+000

34.742 Sq.m.



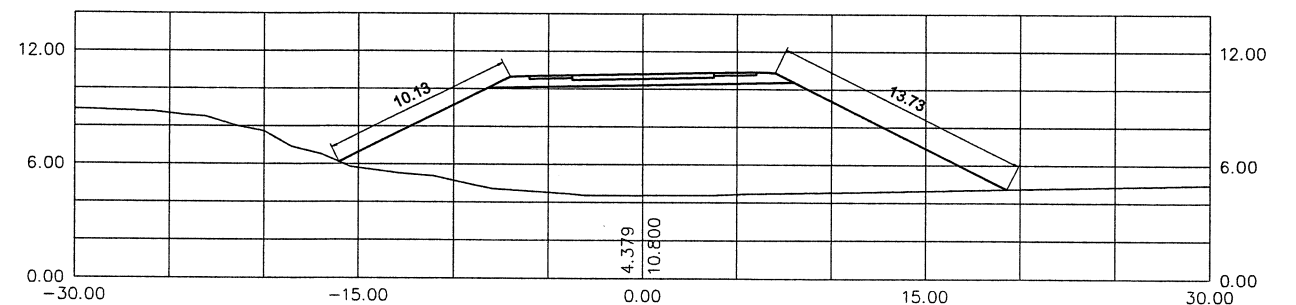
STA. 32+000

15.278 Sq.m.



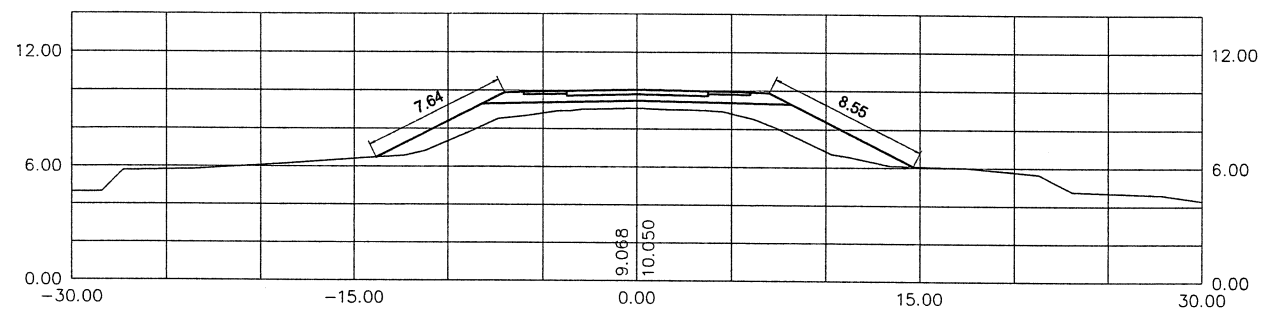
STA. 32+800

147.120 Sq.m.



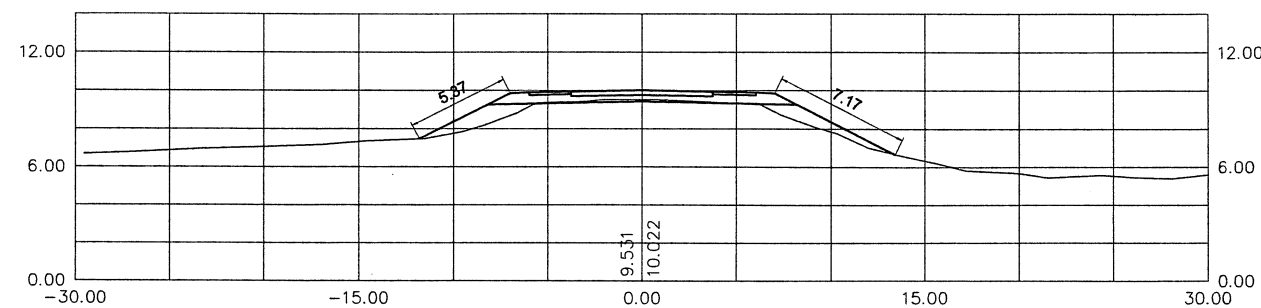
STA. 34+200

21.481 Sq.m.



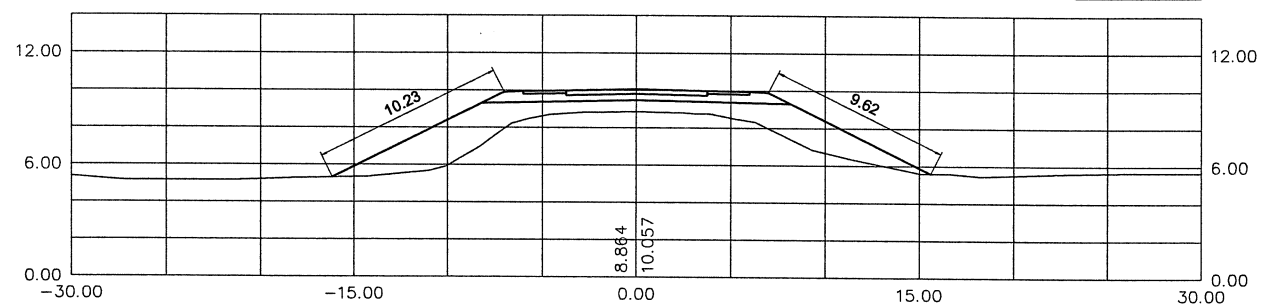
STA. 35+000

6.792 Sq.m.



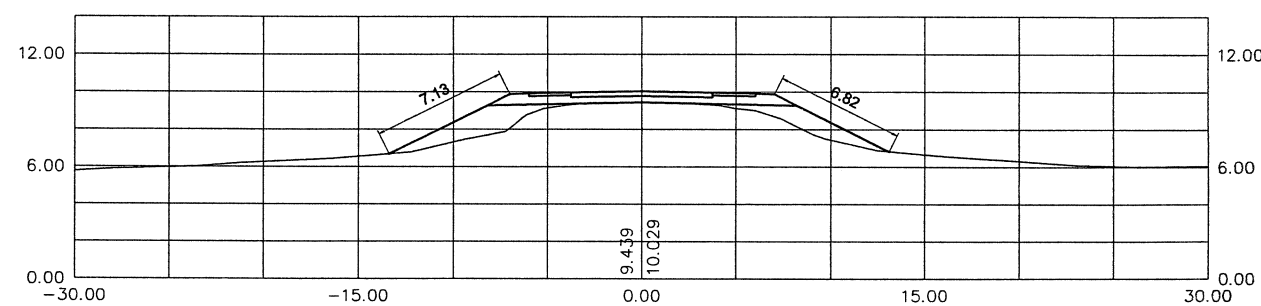
STA. 34+000

35.563 Sq.m.



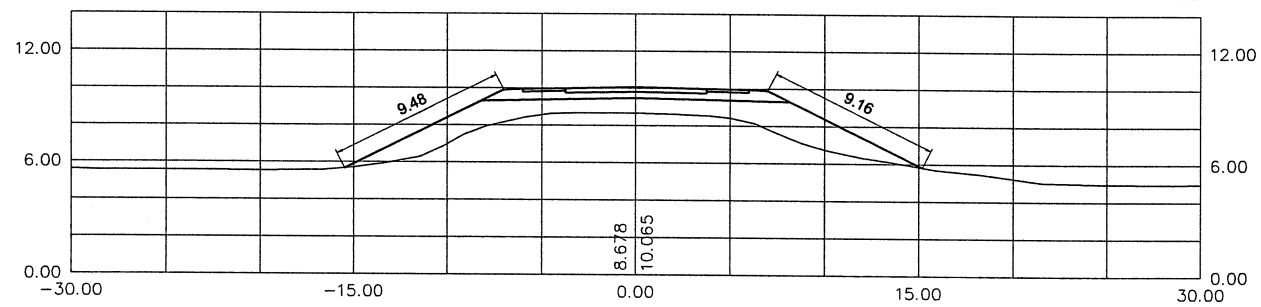
STA. 34+800

12.954 Sq.m.



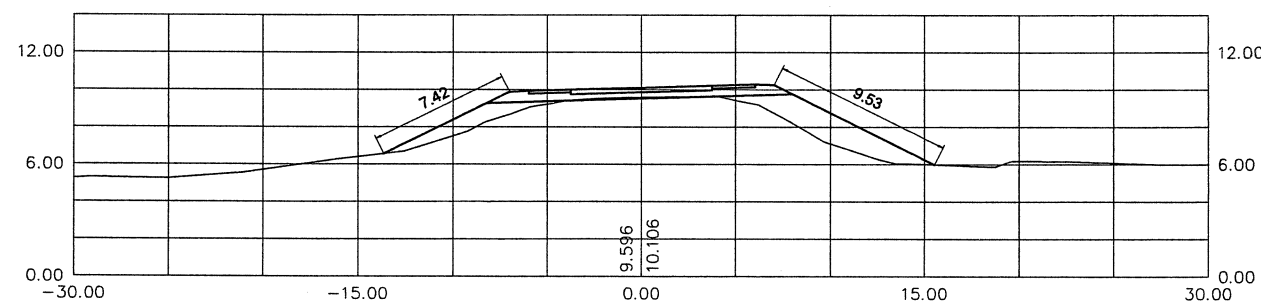
STA. 33+800

31.289 Sq.m.



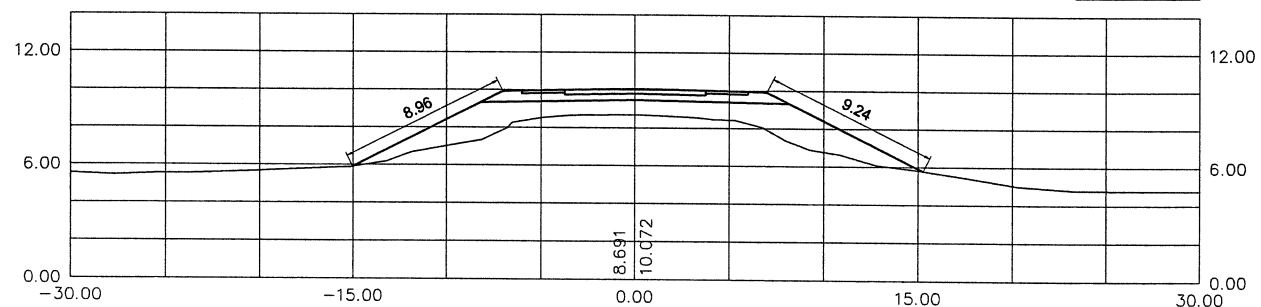
STA. 34+600

16.648 Sq.m.



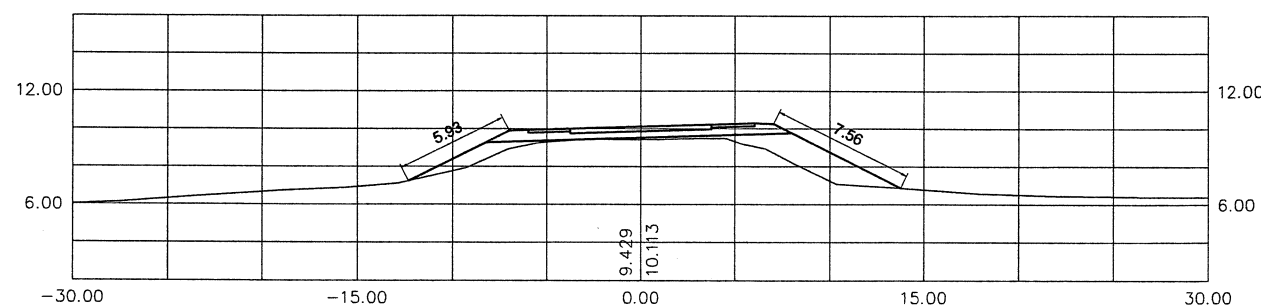
STA. 33+600

31.348 Sq.m.



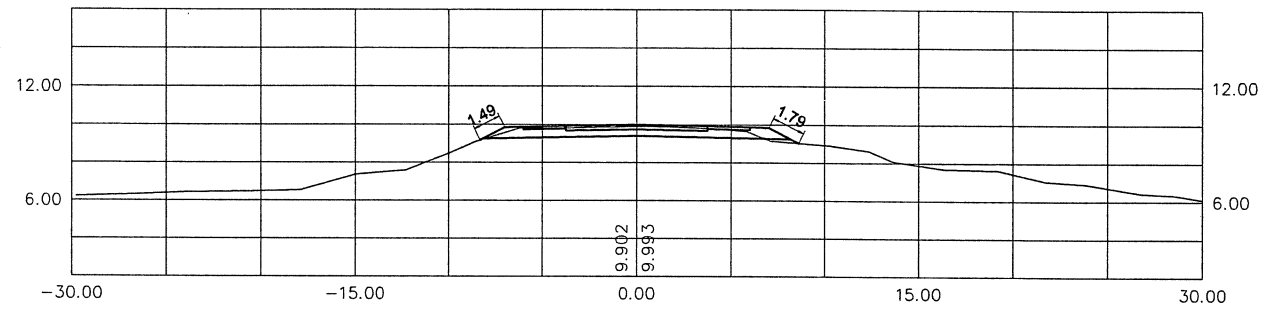
STA. 34+400

12.941 Sq.m.



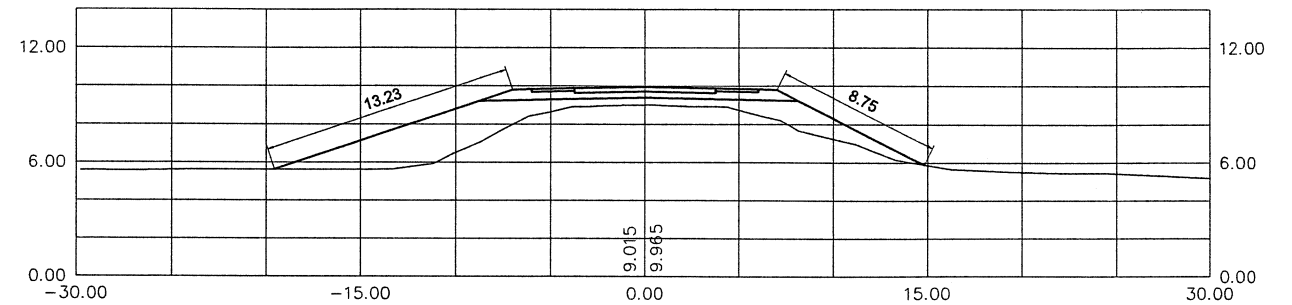
STA.35+800

0.215 Sq.m.



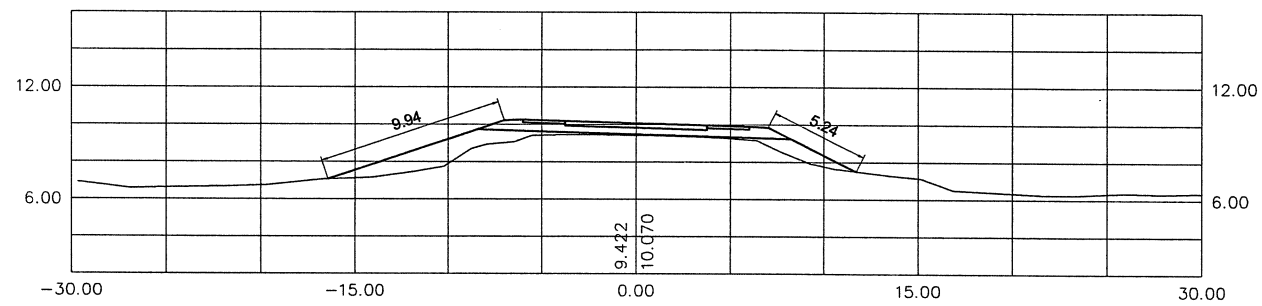
STA.36+600

34.176 Sq.m.



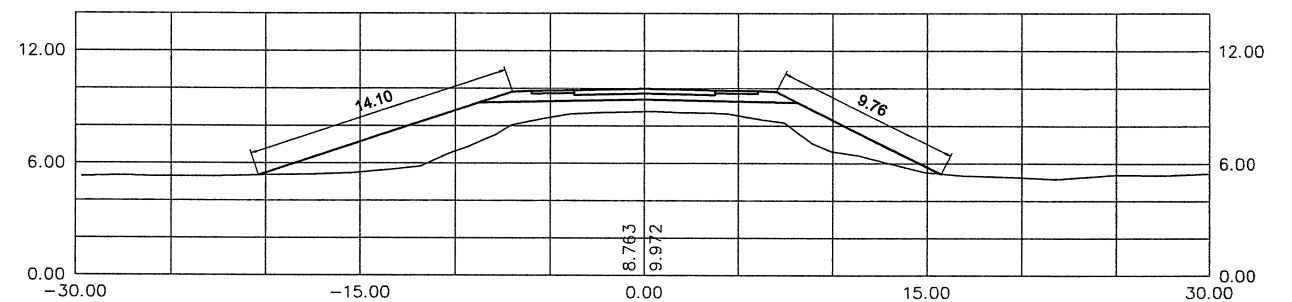
STA.35+600

12.730 Sq.m.



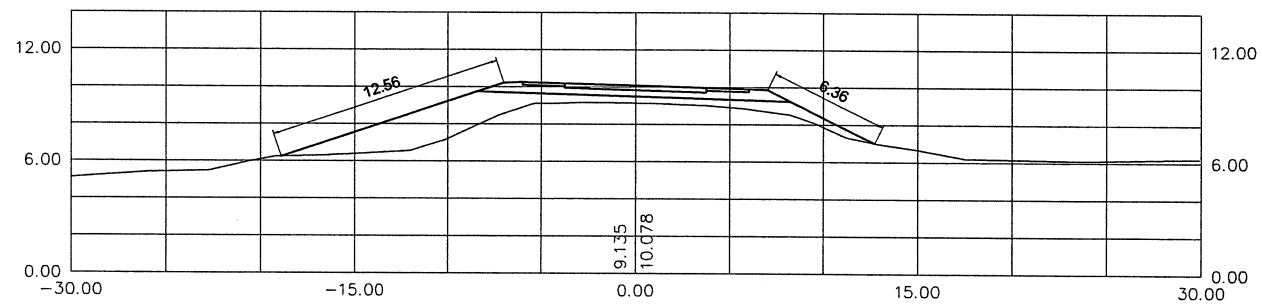
STA.36+400

40.698 Sq.m.



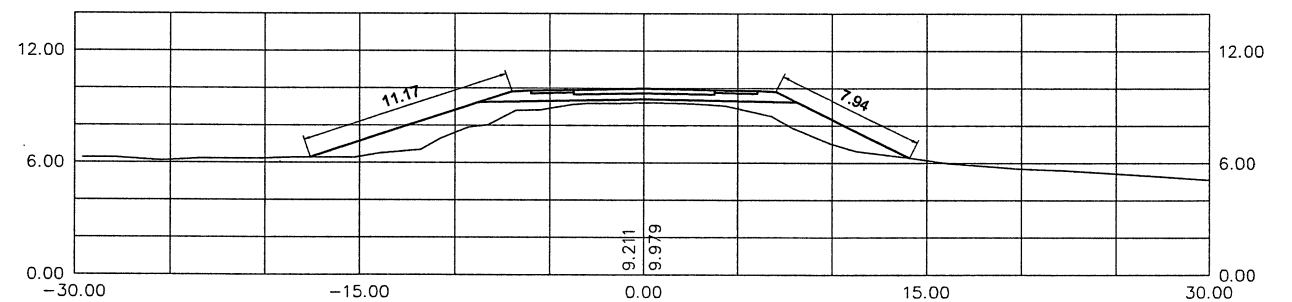
STA.35+400

25.235 Sq.m.



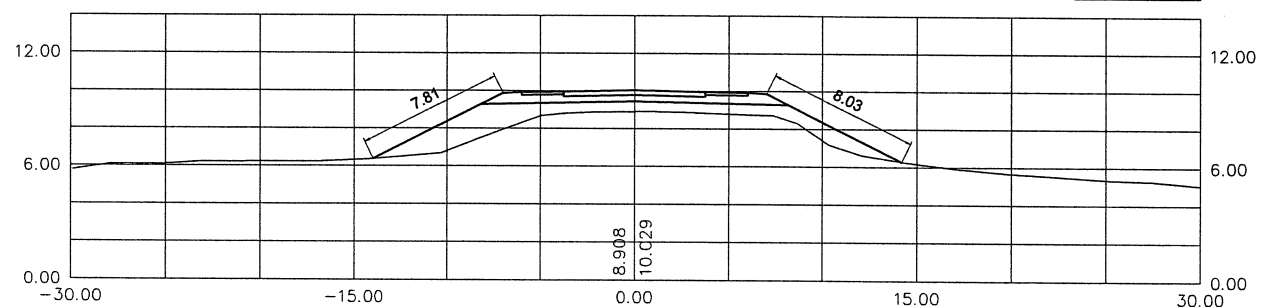
STA.36+200

21.812 Sq.m.



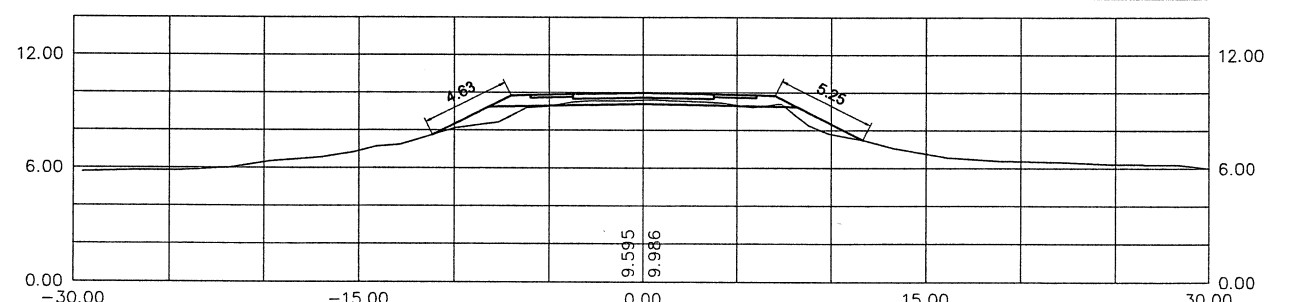
STA.35+200

21.667 Sq.m.



STA.36+000

3.999 Sq.m.



MINISTRY OF  
PUBLIC WORKS AND TRANSPORT  
(MPWT)

THE FEASIBILITY STUDY ON THE  
IMPROVEMENT OF NATIONAL ROAD NO.1  
(PHNOM PENH-NEAK LOUENG SECTION)  
IN THE KINGDOM OF CAMBODIA

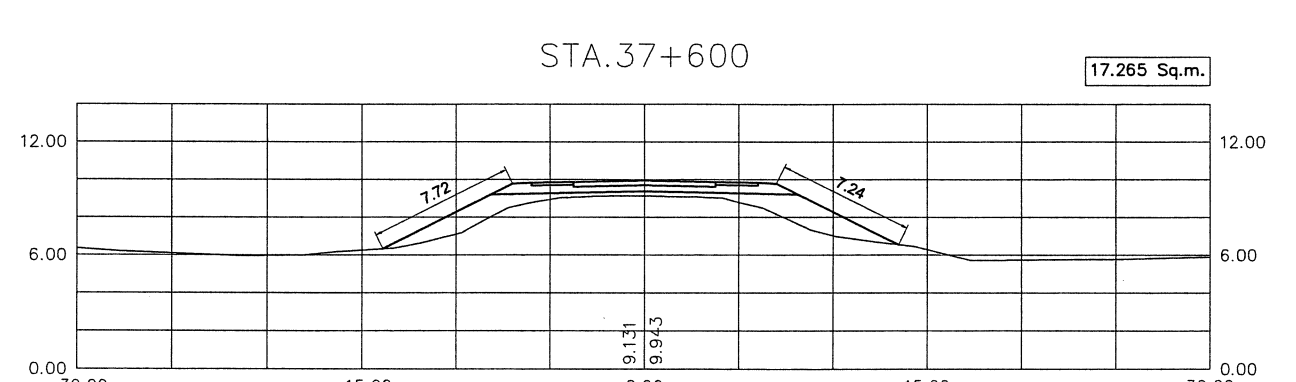
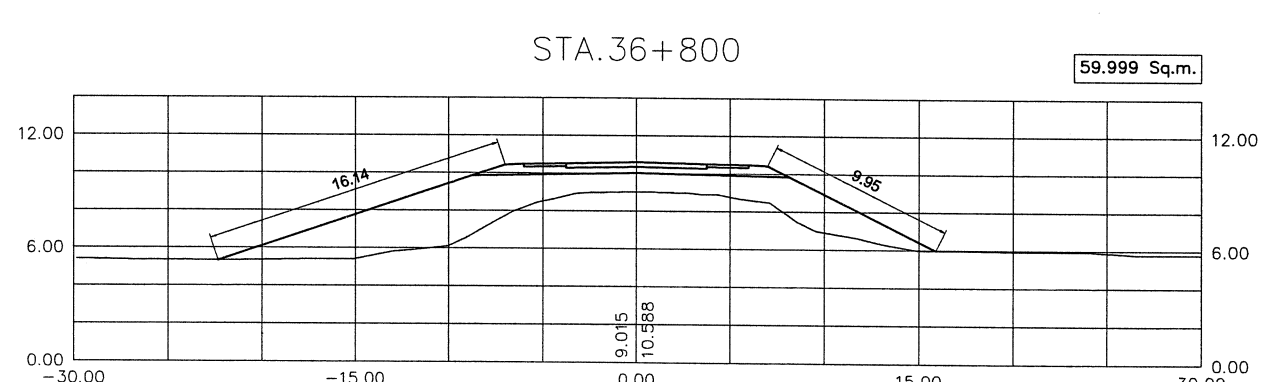
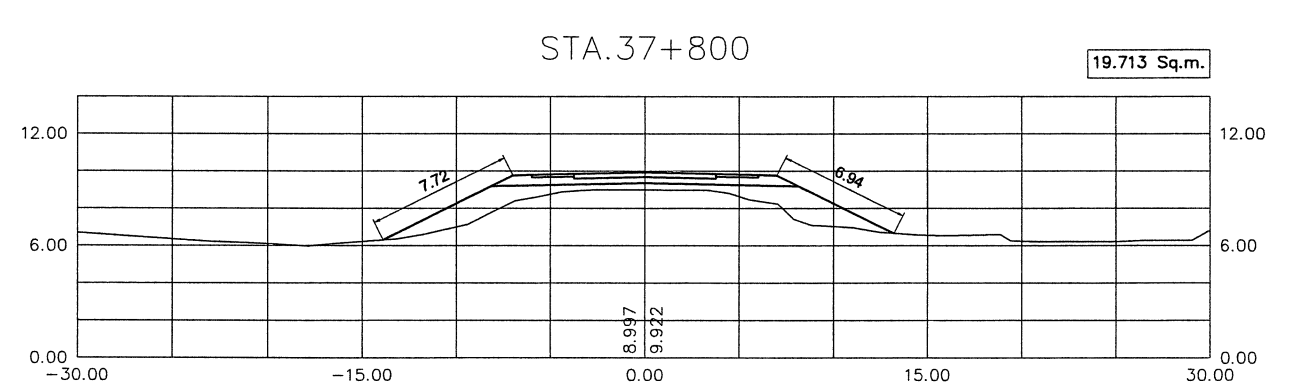
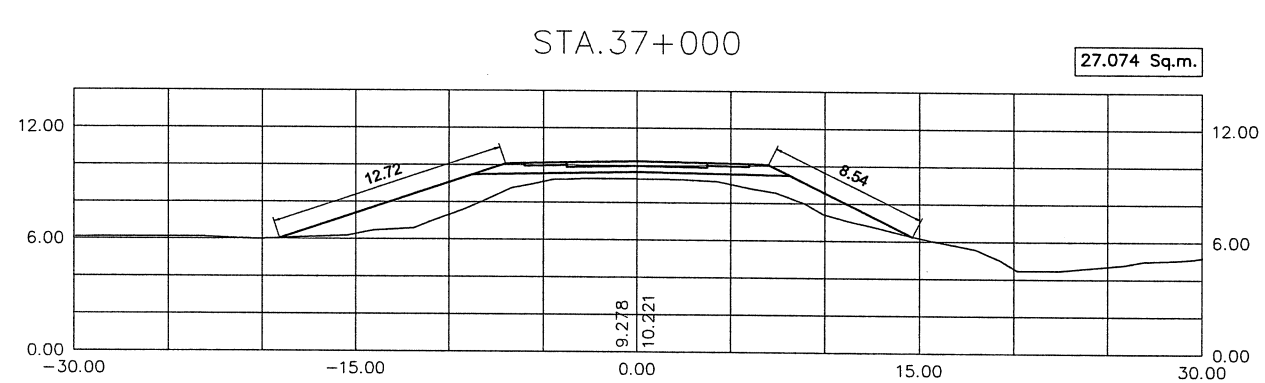
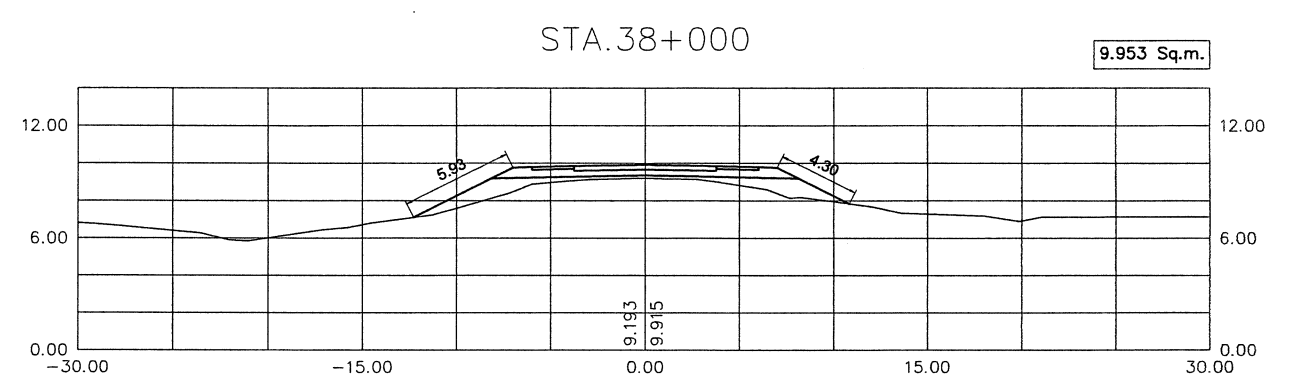
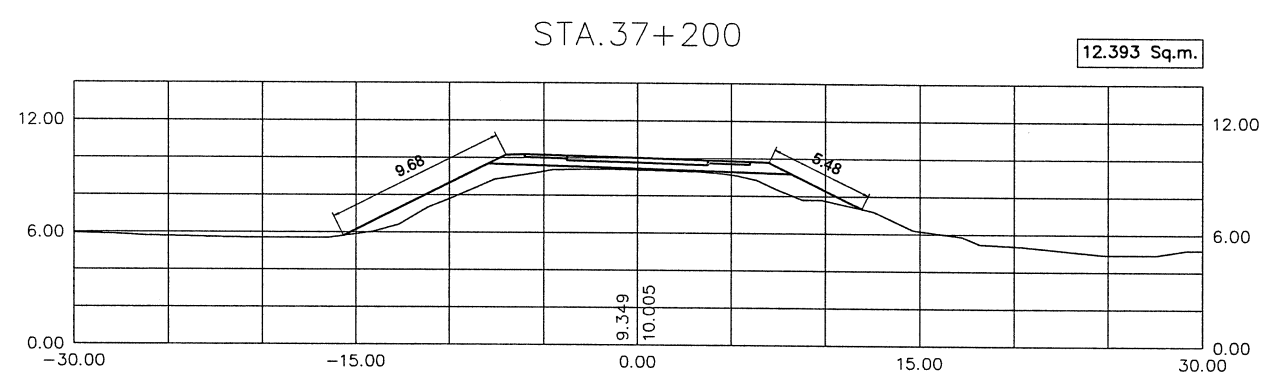
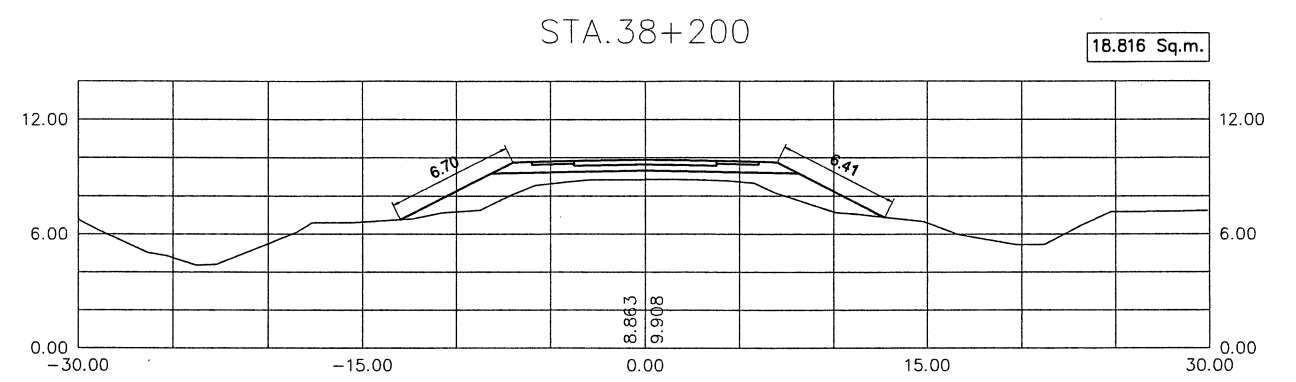
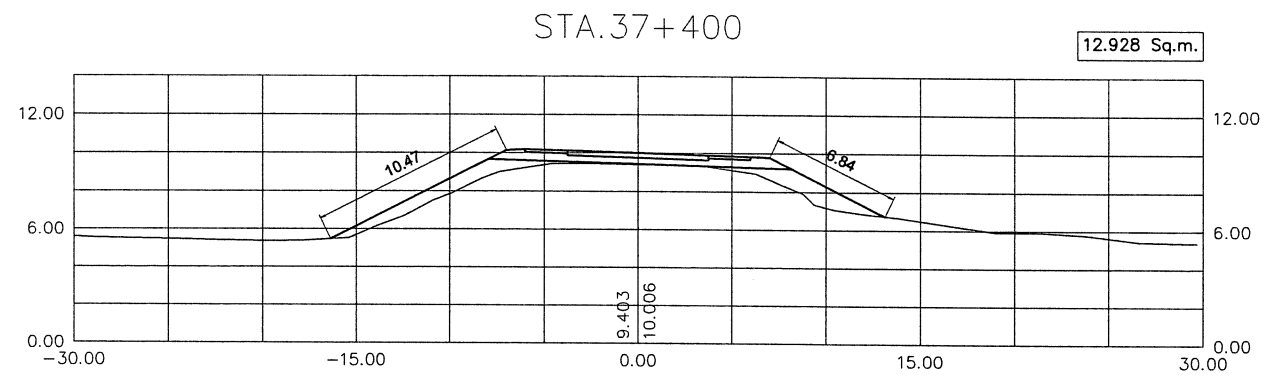
**JAPAN INTERNATIONAL COOPERATION AGENCY**  
PACIFIC CONSULTANTS INTERNATIONAL &  
KATAHIRA & ENGINEERS INTERNATIONAL

TITLE :  
CROSS SECTION  
CH. 35km+200m - CH.36km+600m

SCALE  
1/400

Drawing No.  
B-107

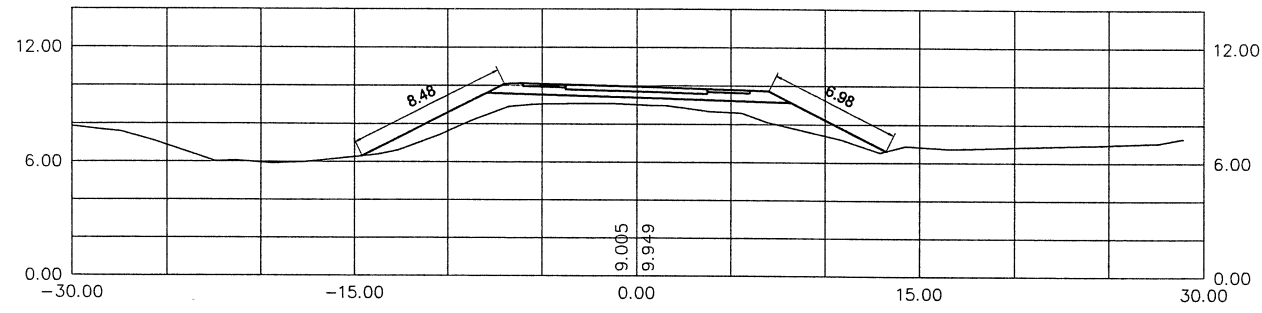




MINISTRY OF PUBLIC WORKS AND TRANSPORT (MPWT)	THE FEASIBILITY STUDY ON THE IMPROVEMENT OF NATIONAL ROAD NO.1 (PHNOM PENH-NEAK LOUENG SECTION) IN THE KINGDOM OF CAMBODIA	<b>JAPAN INTERNATIONAL COOPERATION AGENCY</b> PACIFIC CONSULTANTS INTERNATIONAL & KATAHIRA & ENGINEERS INTERNATIONAL	TITLE : CROSS SECTION CH. 36km+800m - CH.38km+200m	SCALE	Drawing No.
				1/400	B-108

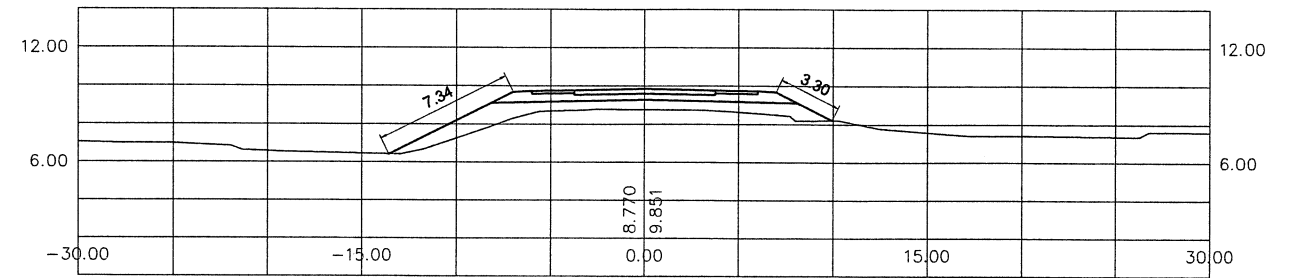
STA.39+000

18.001 Sq.m.



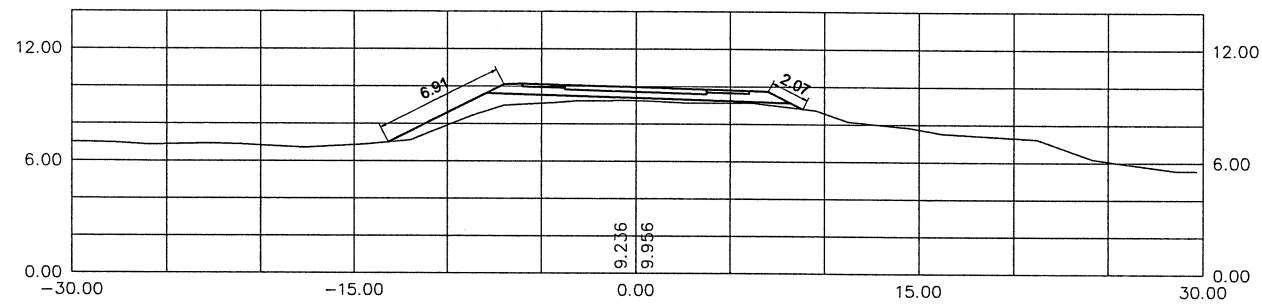
STA.39+800

14.264 Sq.m.



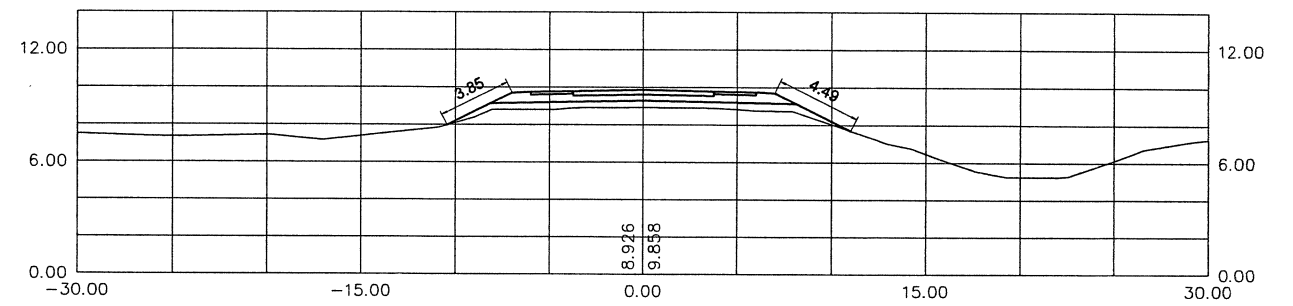
STA.38+800

7.482 Sq.m.



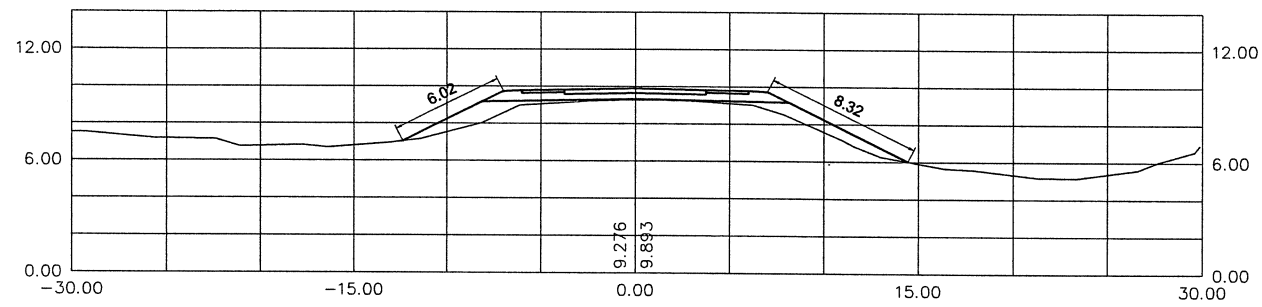
STA.39+600

6.959 Sq.m.



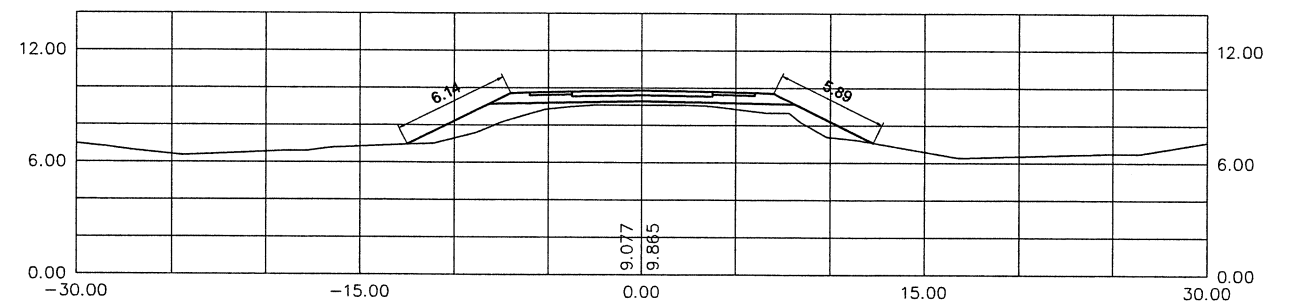
STA.38+600

9.529 Sq.m.



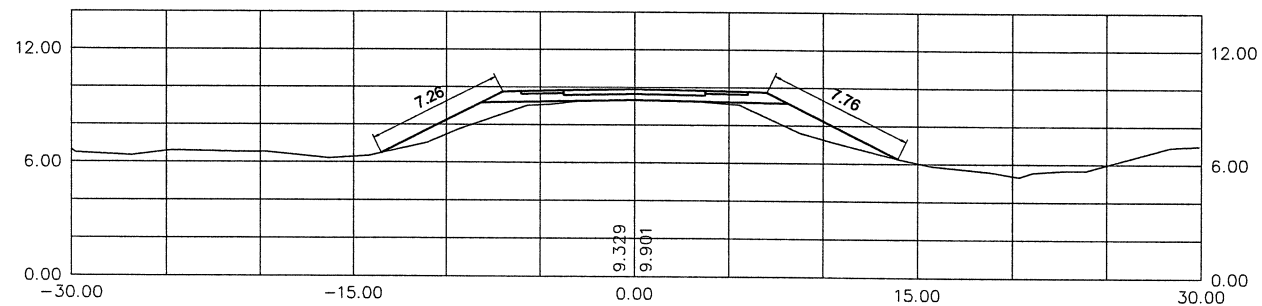
STA.39+400

11.732 Sq.m.



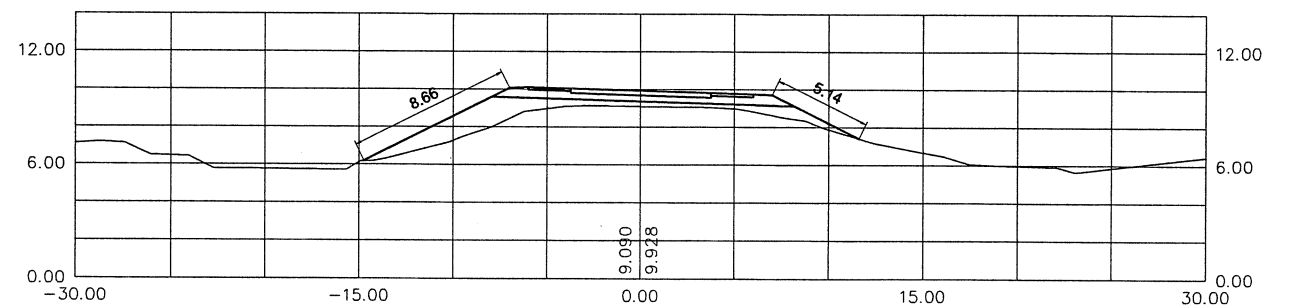
STA.38+400

11.150 Sq.m.



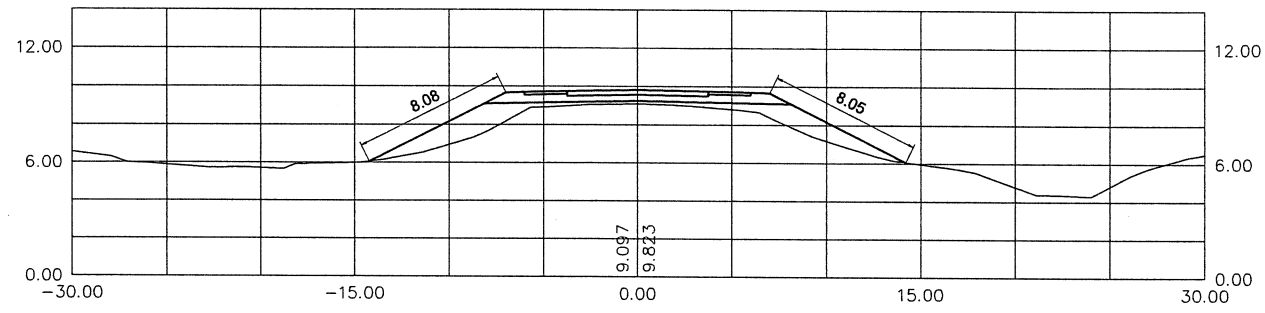
STA.39+200

14.669 Sq.m.



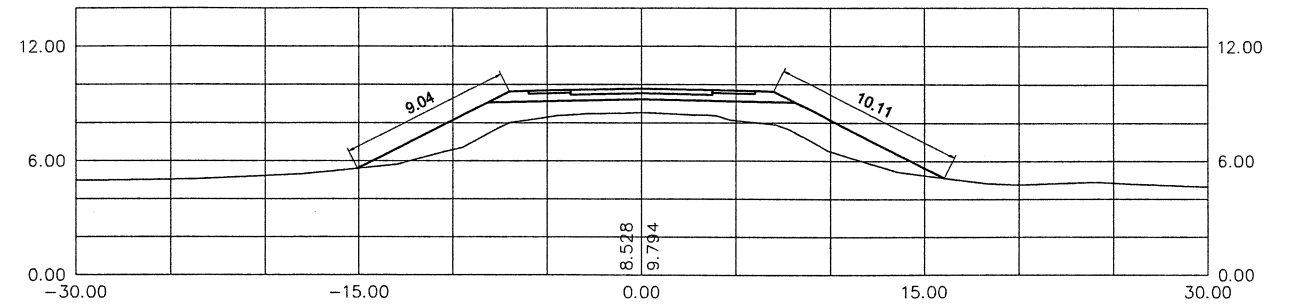
STA. 40+600

16.335 Sq.m.



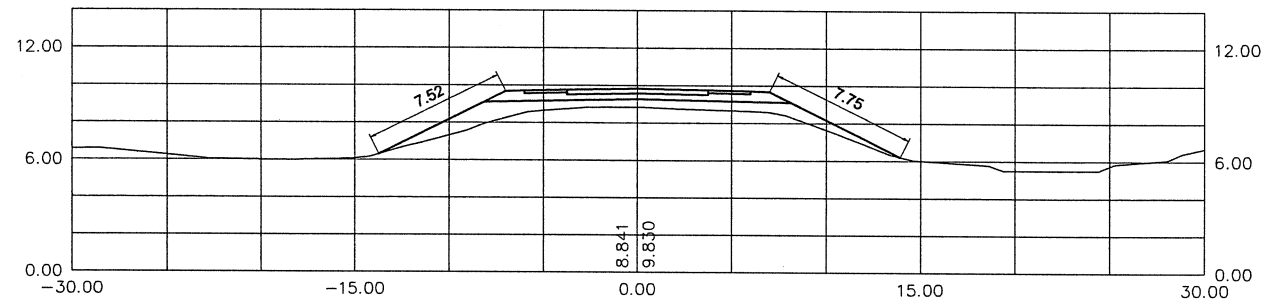
STA. 41+400

30.895 Sq.m.



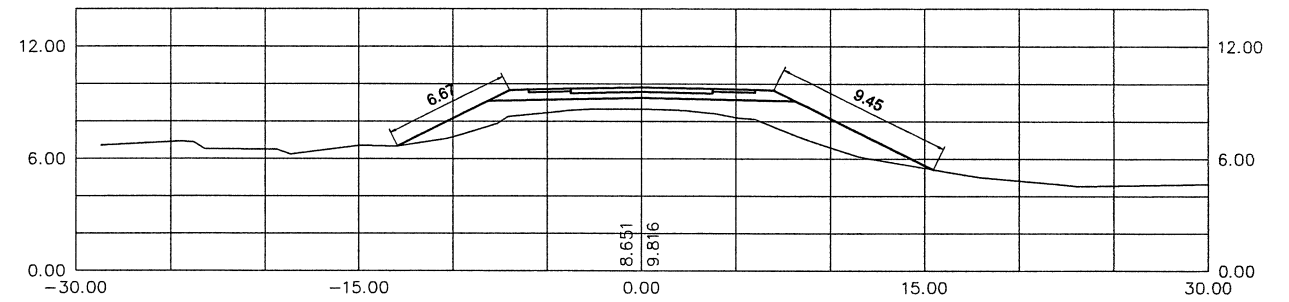
STA. 40+400

14.474 Sq.m.



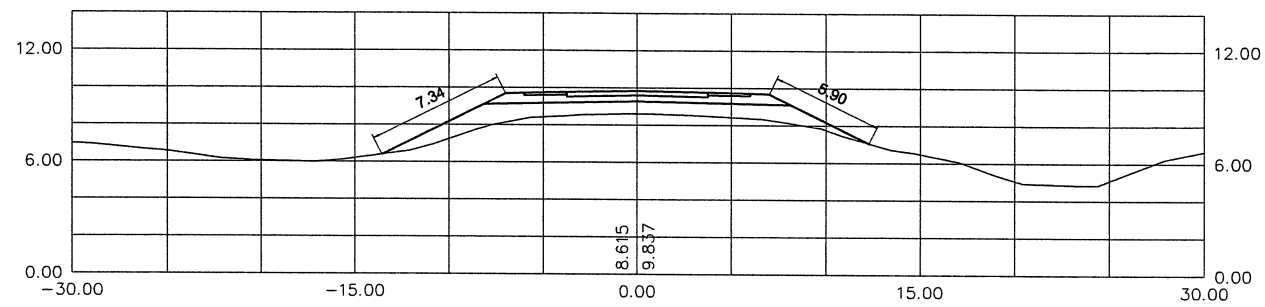
STA. 41+200

24.735 Sq.m.



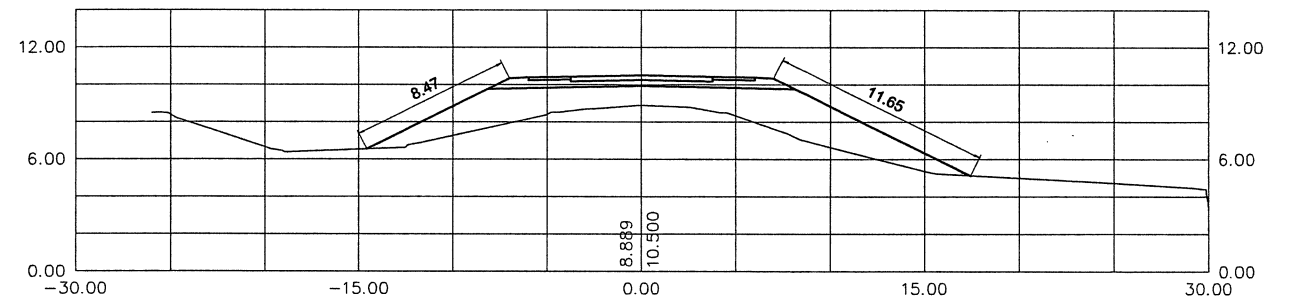
STA. 40+200

18.172 Sq.m.



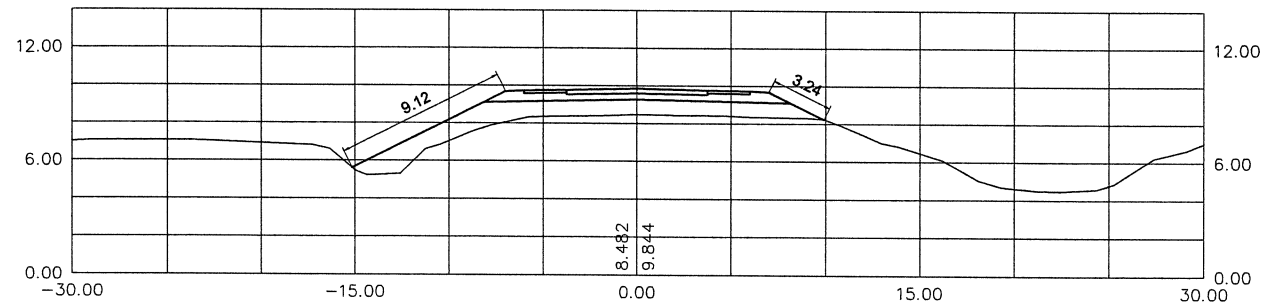
STA. 41+000

44.835 Sq.m.



STA. 40+000

22.049 Sq.m.



STA. 40+800

17.367 Sq.m.

