

**Figure 2.4.3**  
Typical Cross Section of Proposed Weras  
Ganga Dredging

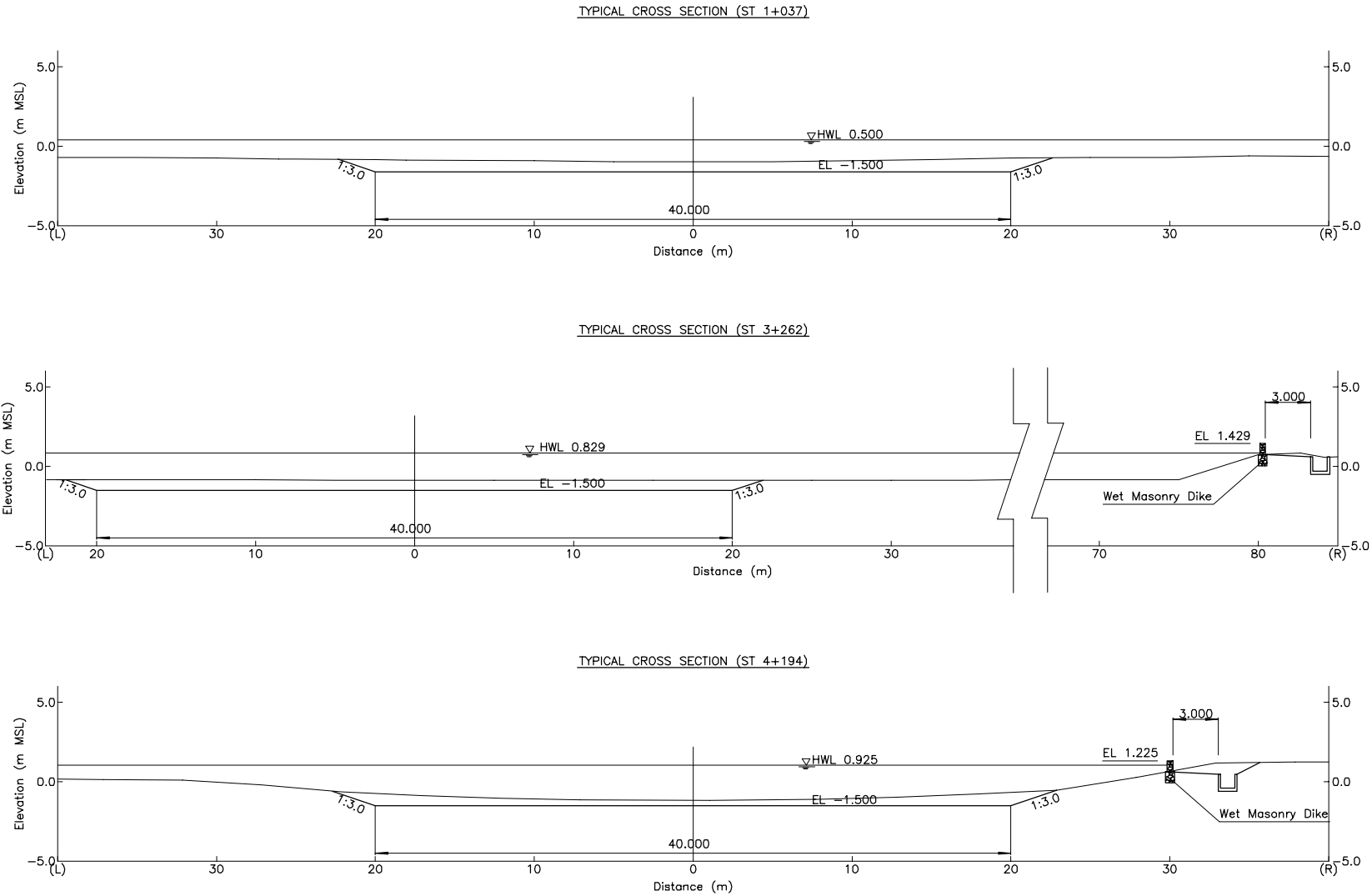
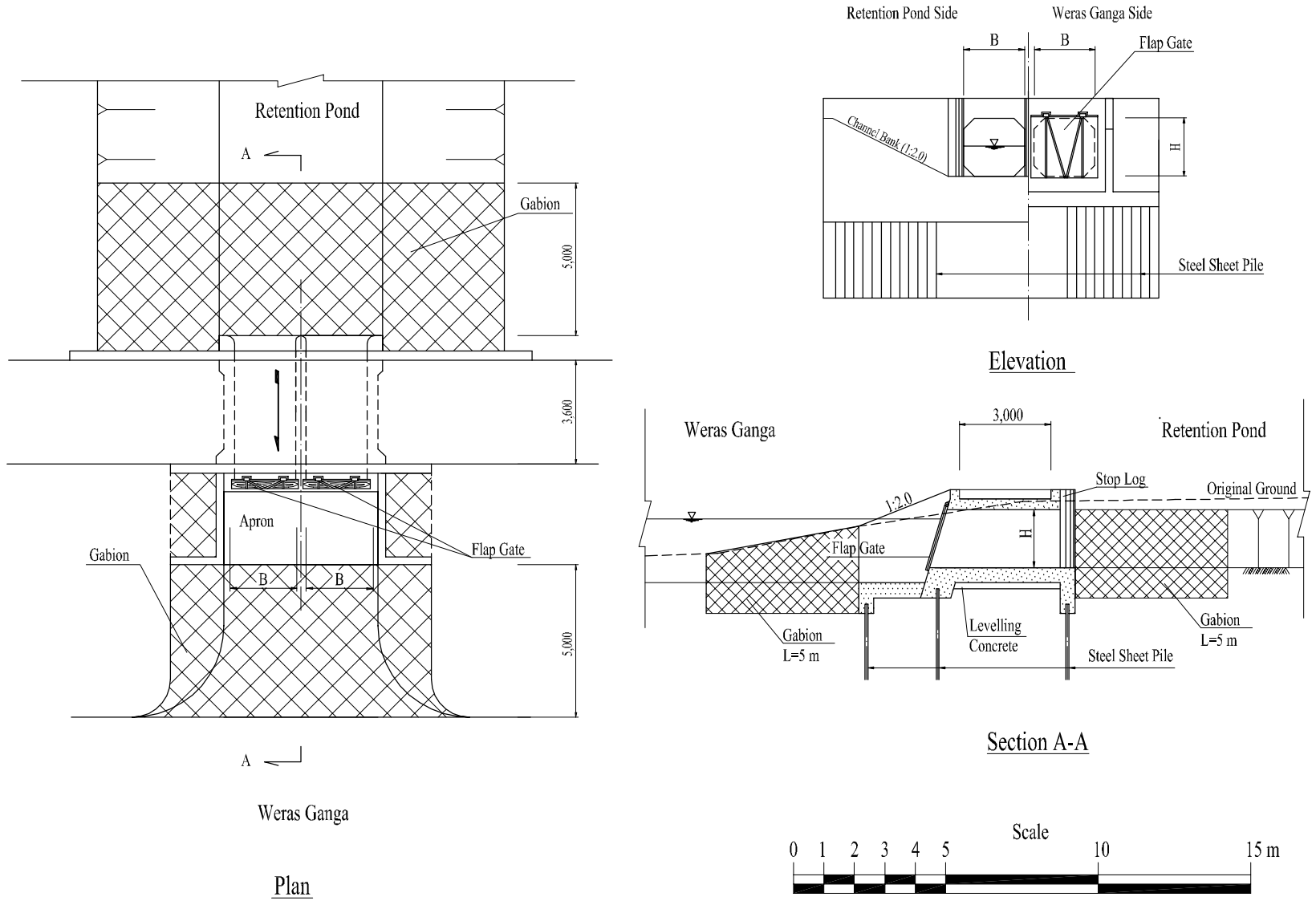
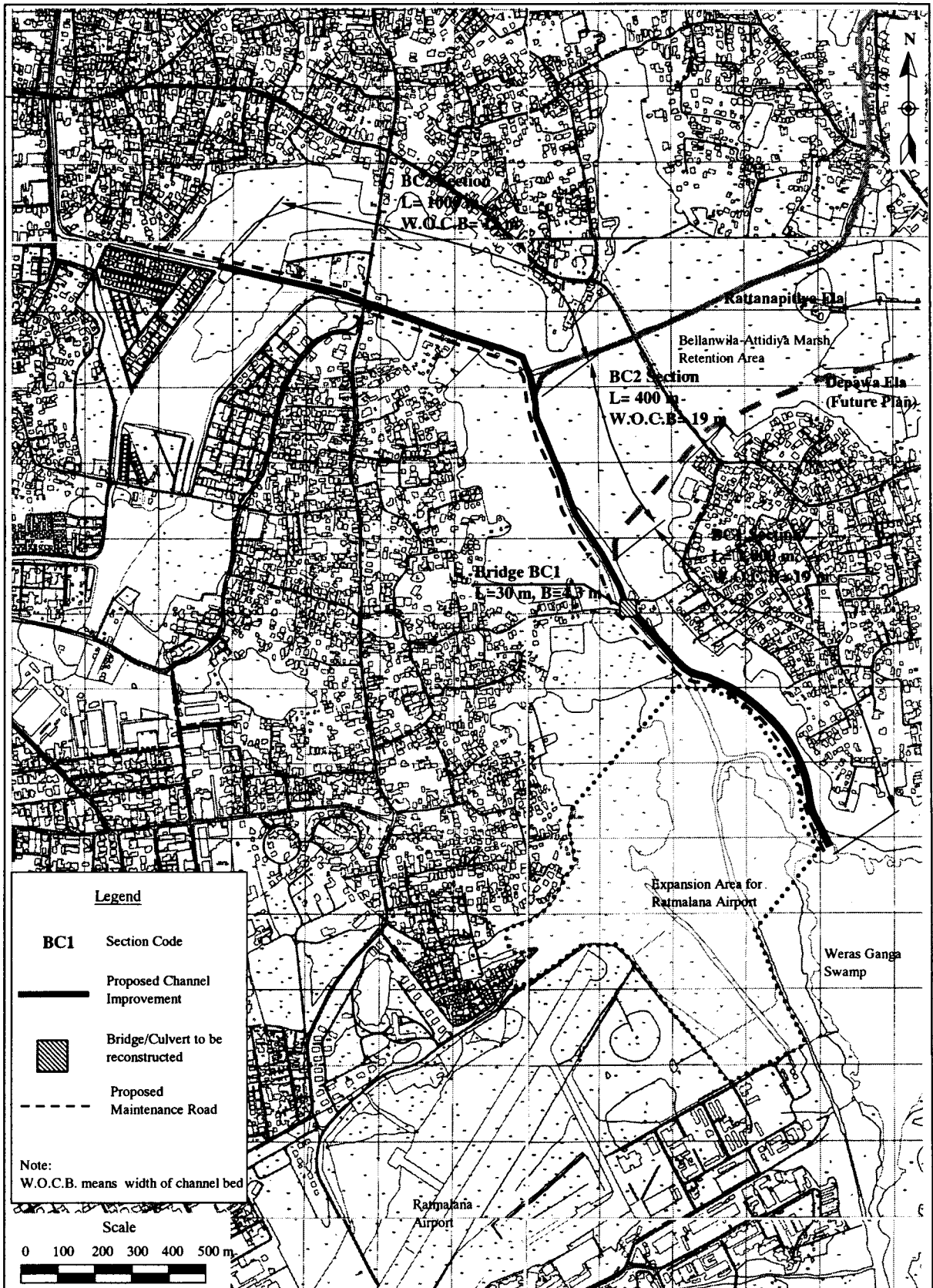


Figure 2.4.4  
Typical Design of Proposed Sluiceway  
in Retention Pond

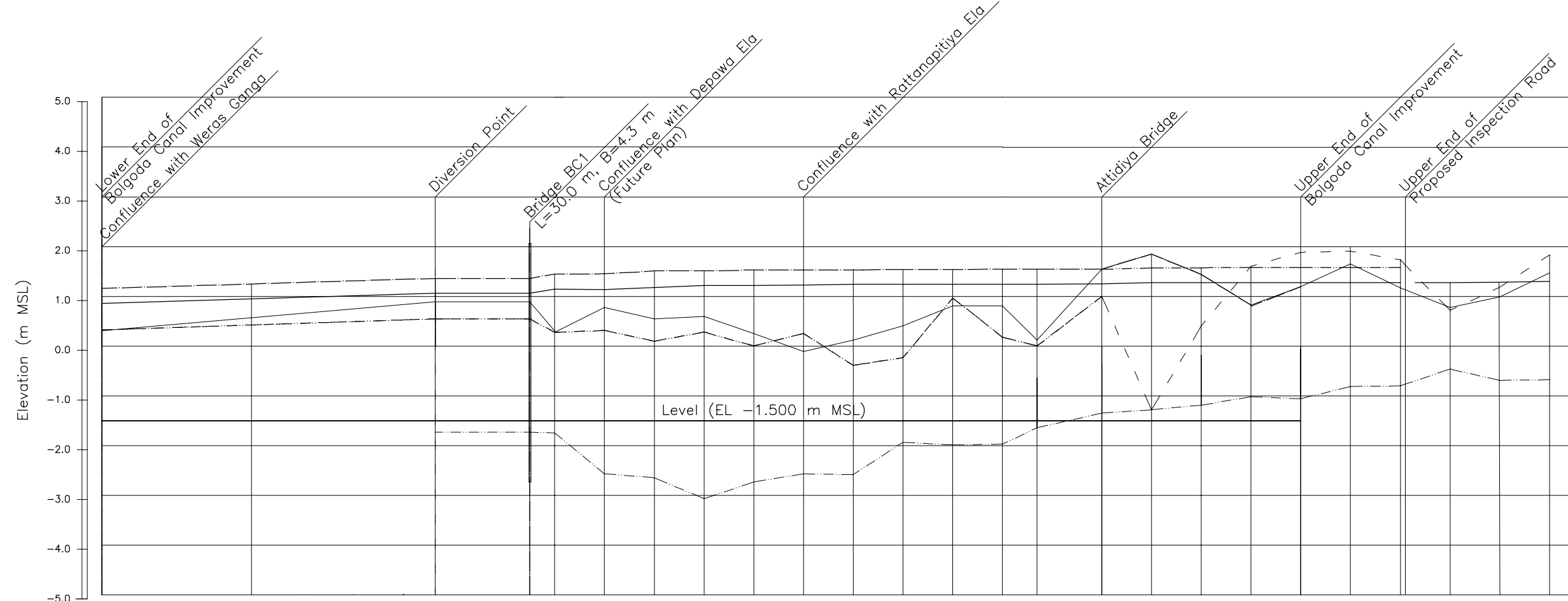




*The Study on Storm Water Drainage Plan  
for the Colombo Metropolitan Region  
in the Democratic Socialist Republic of Sri Lanka*

JAPAN INTERNATIONAL COOPERATION AGENCY

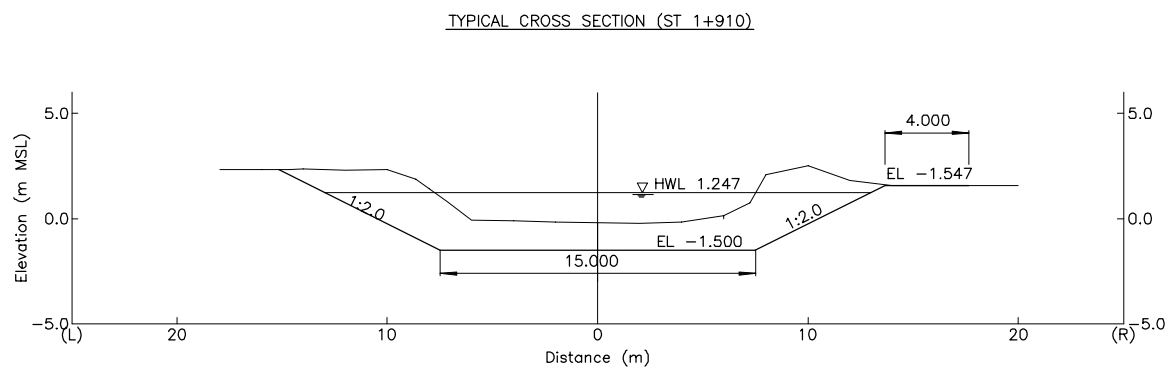
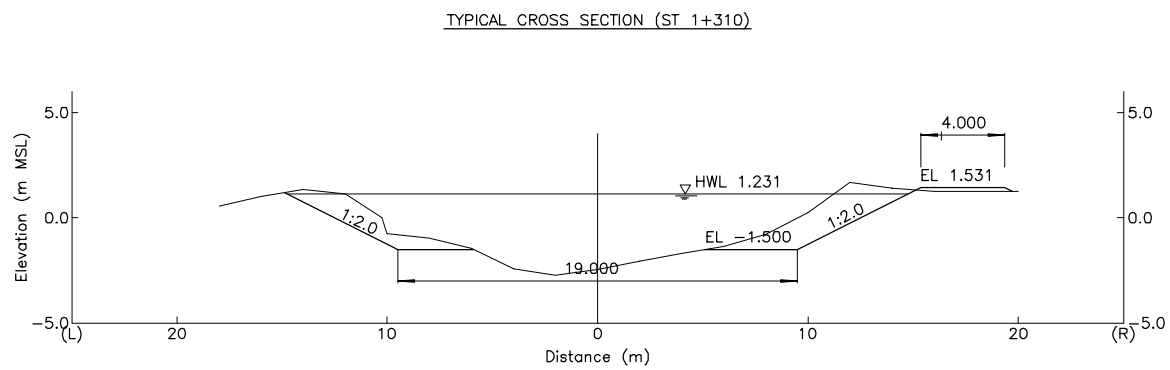
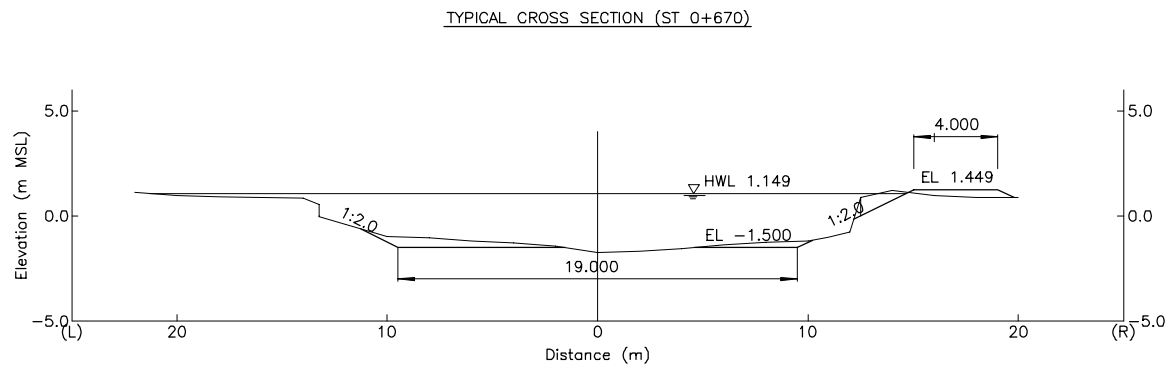
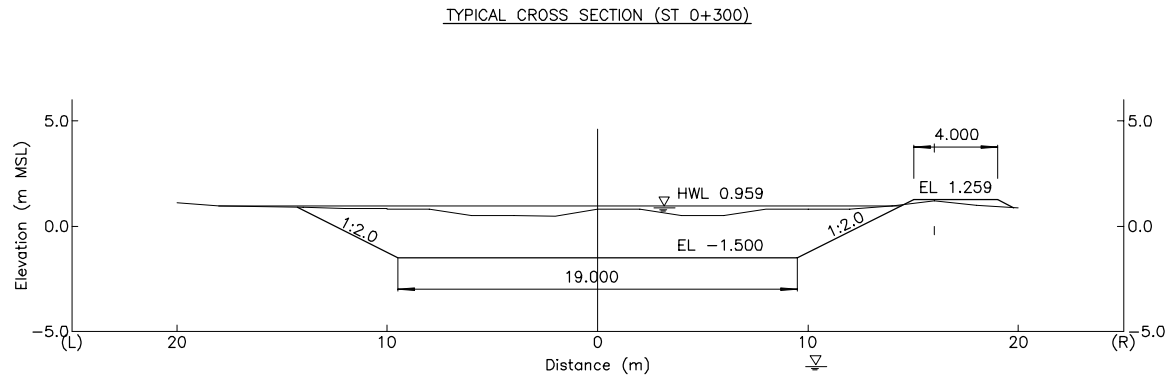
**Figure 2.4.5**  
General Plan of Proposed Bolgoda  
Canal Improvement



Station	Partial Distance (m)	Accum. Distance (m)	Right Bank (EL m)	Left Bank (EL m)	Original Riverbed (EL m)	Crest of Dike (EL m)	Riverbed (EL m)	Design HWL (50year) (EL m)	Remark
ST 0+000	0	0	0.307	0.325	-1.022	1.123	-1.500	0.823	
ST 0+300	300	300	0.789	0.803		1.259	-1.500	0.959	BC 1: Q=51 m <sup>3</sup> /sec, L=1,000 m
ST 0+670	370	670	0.889	0.549	-1.731	1.449	-1.500	1.149	
ST 0+860	190	860	0.889	0.549	-1.731	1.449	-1.500	1.149	
ST 0+910	50	910	0.274	0.274	-1.746	1.504	-1.500	1.204	
ST 1+010	100	1,010	0.774	0.314	-2.566	1.510	-1.500	1.210	
ST 1+110	100	1,110	0.550	0.100	-2.645	1.516	-1.500	1.216	
ST 1+210	100	1,210	-0.599	0.281	-3.069	1.524	-1.500	1.224	BC 2: Q=37 m <sup>3</sup> /sec, L=400 m
ST 1+310	100	1,310	0.253	0.003	-2.727	1.531	-1.500	1.231	
ST 1+410	100	1,410	-0.106	0.254	-2.566	1.536	-1.500	1.236	
ST 1+510	100	1,510	0.123	-0.387	-2.583	1.541	-1.500	1.241	
ST 1+610	100	1,610	0.404	-0.231	-1.931	1.543	-1.500	1.243	
ST 1+710	100	1,710	0.808	0.988	-1.987	1.544	-1.500	1.244	
ST 1+810	100	1,810	0.808	0.179	-1.971	1.545	-1.500	1.245	
ST 1+880	70	1,880	0.124	0.004	-1.641	1.550	-1.500	1.250	
ST 2+010	130	2,010	1.544	1.044	-1.346	1.574	-1.500	1.274	
ST 2+110	100	2,110	1.851	-1.279	-1.279	1.576	-1.500	1.276	
ST 2+210	100	2,210	1.445	0.405	-1.185	1.577	-1.500	1.277	
ST 2+310	100	2,310	0.823	1.608	-1.017	1.577	-1.500	1.277	
ST 2+400	90	2,400	1.195	1.885	-1.055	1.578	-1.500	1.278	
ST 2+500	100	2,500	1.651	1.911	-0.809	1.578	-0.809	1.279	
ST 2+600	100	2,600	1.168	1.733	-0.787	1.582	-0.787	1.282	
ST 2+610	10	2,610	1.168	1.733	-0.787	1.582	-0.787	1.282	
ST 2+700	90	2,700	0.778	0.718	-0.462	0.718	-0.462	1.282	
ST 2+800	100	2,800	0.994	1.184	-0.686	1.184	-0.686	1.301	
ST 2+900	100	2,900	1.474	1.834	-0.676	1.834	-0.676	1.301	

The Study on Storm Water Drainage Plan  
for the Colombo Metropolitan Region  
in the Democratic Socialist Republic of Sri Lanka  
JAPAN INTERNATIONAL COOPERATION AGENCY

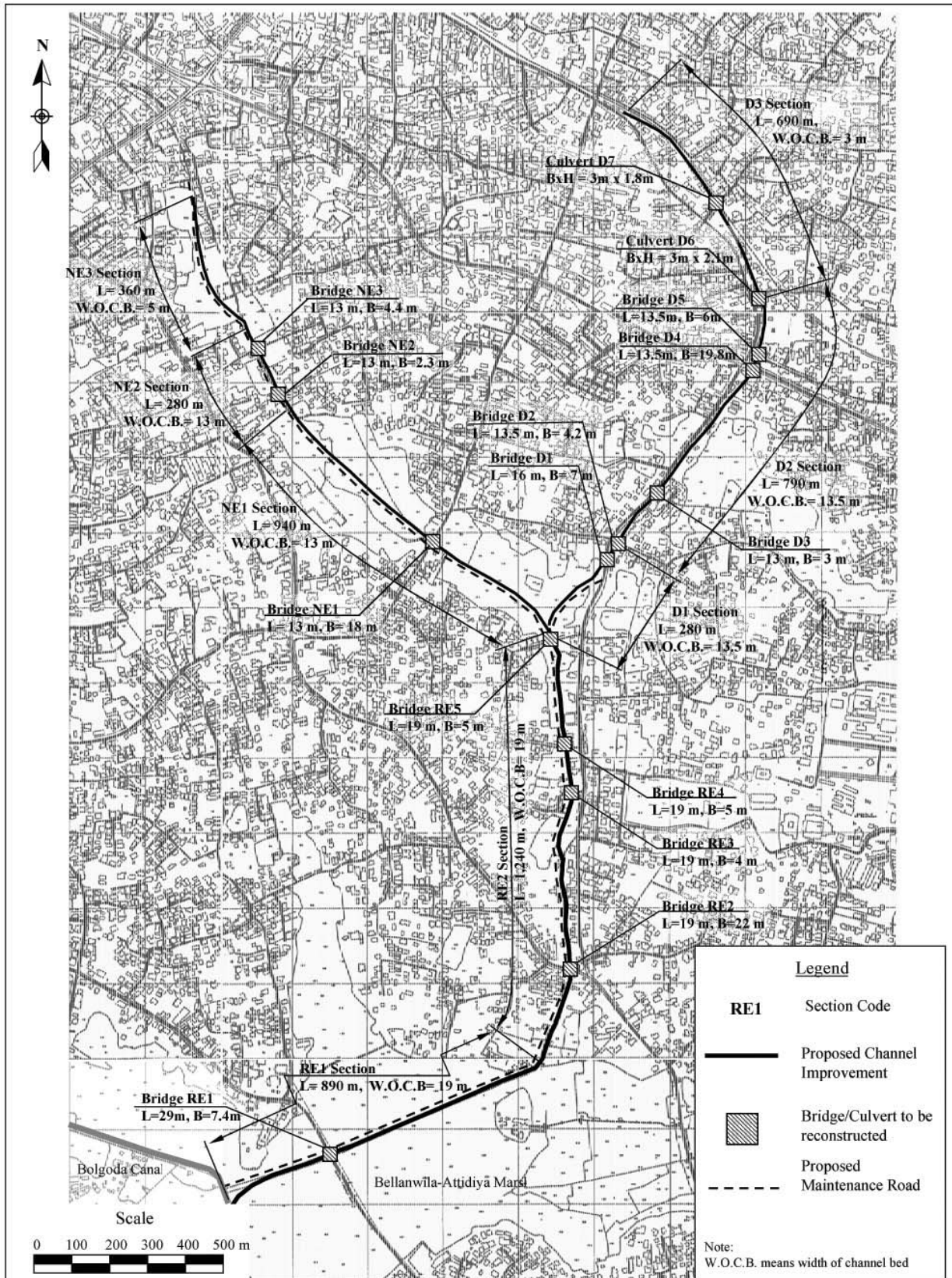
Figure 2.4.6  
Longitudinal Profile of Proposed Bolgoda  
Canal Improvement



*The Study on Storm Water Drainage Plan  
for the Colombo Metropolitan Region  
in the Democratic Socialist Republic of Sri Lanka*

JAPAN INTERNATIONAL COOPERATION AGENCY

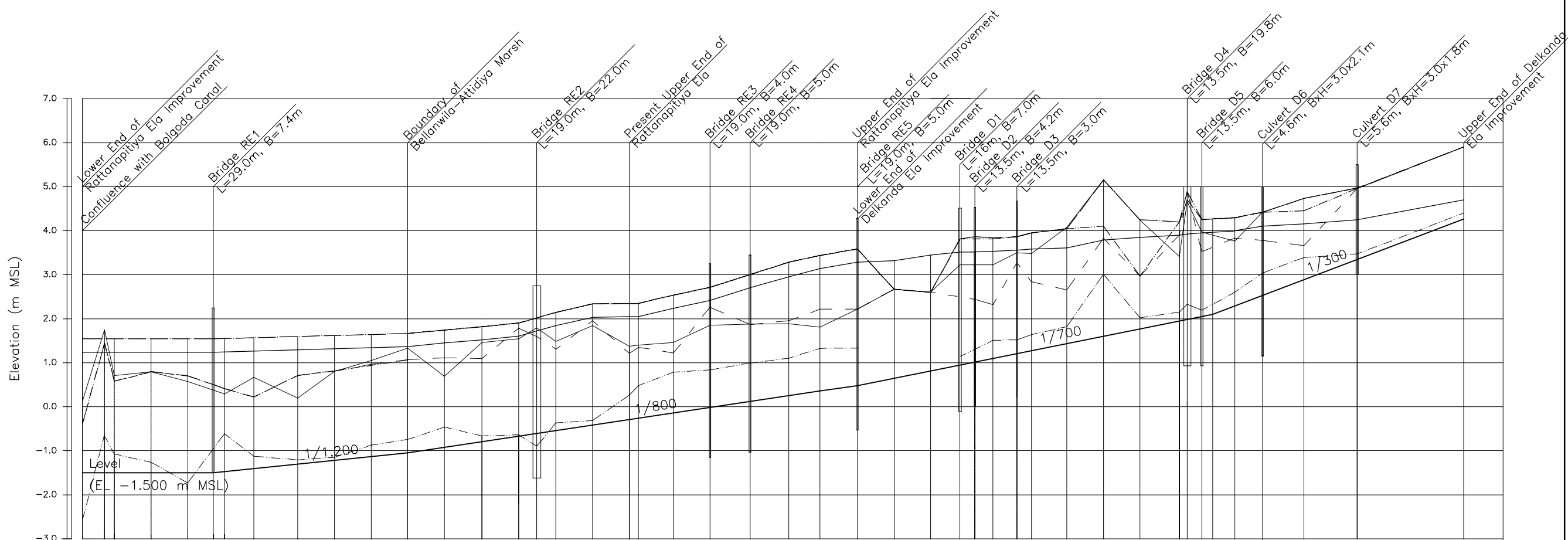
**Figure 2.4.7**  
**Typical Cross Section of Proposed Bolgoda Canal Improvement**



The Study on Storm Water Drainage Plan  
for the Colombo Metropolitan Region  
in the Democratic Socialist Republic of Sri Lanka

JAPAN INTERNATIONAL COOPERATION AGENCY

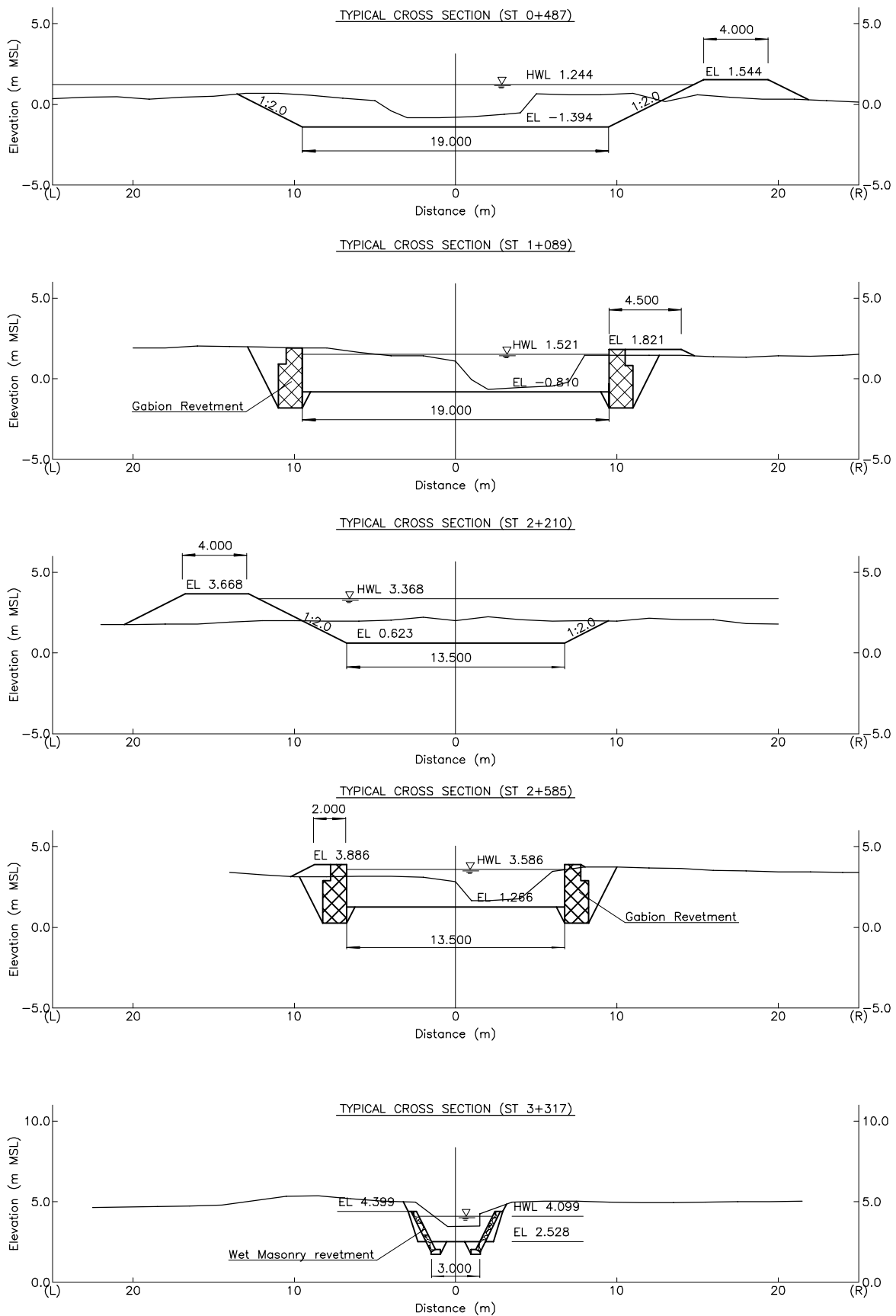
Figure 2.4.8  
General Plan of Proposed Rattanaipitiya Ela,  
Delkanda Ela and Nugegoda Ela Channel  
Improvement



Station	Partial Distance (m)	Right Bank (EL m)	Left Bank (EL m)	Original Riverbed (EL m)	Crest of Dike (EL m)	Design Riverbed (50Year) (EL m)	Remark
RE 1: Q=25 m <sup>3</sup> /sec, L=890 m							
ST 0+000	0	0.123	-0.387	-2.583	1.541	-1.500	1.241
ST 0+060	60	1.752	1.449	-0.673	1.541	-1.500	1.241
ST 0+087	87	0.710	0.580	-1.077	1.541	-1.500	1.241
ST 0+187	187	0.791	0.801	-1.259	1.541	-1.500	1.241
ST 0+287	287	0.573	0.703	-1.732	1.541	-1.500	1.241
ST 0+357	357	0.029	0.414	-1.126	1.542	-1.500	1.242
ST 0+387	387	0.029	0.414	-1.126	1.542	-1.475	1.242
ST 0+487	487	0.669	0.219	-0.636	1.544	-1.392	1.244
ST 0+587	587	0.189	0.712	-1.208	1.548	-1.309	1.248
ST 0+687	687	0.803	0.815	-1.147	1.569	-1.226	1.269
ST 0+787	787	1.052	0.962	-0.873	1.590	-1.143	1.290
ST 0+887	887	1.332	1.065	-0.745	1.665	-1.060	1.365
ST 0+987	987	0.692	1.112	-0.460	1.743	-0.935	1.443
ST 1+089	1,089	1.461	1.091	-0.662	1.821	-0.810	1.521
ST 1+189	1,189	1.548	1.786	-0.639	1.899	-0.685	1.599
ST 1+239	1,239	1.794	1.494	-0.896	2.022	-0.506	1.722
ST 1+287	1,287	1.484	1.304	-0.368	2.145	-0.498	1.845
ST 1+387	1,387	1.844	1.954	-0.316	2.335	-0.373	2.030
ST 1+487	1,487	1.371	1.213	0.266	2.355	-0.248	2.055
ST 1+513	1,513	1.399	1.351	0.461	2.355	-0.220	2.055
ST 1+608	1,608	1.461	1.221	0.781	2.535	-0.095	2.235
ST 1+708	1,708	1.849	2.259	0.839	2.715	0.030	2.415
ST 1+818	1,818	1.874	1.864	0.984	3.000	0.195	2.700
ST 1+923	1,923	1.883	1.953	1.103	3.285	0.280	2.885
ST 2+008	2,008	1.805	2.215	1.325	3.437	0.355	3.137
ST 2+110	2,110	2.215	2.215	1.335	3.598	0.480	3.288
ST 2+210	2,210	2.247	2.222	1.992	3.982	0.623	3.368
ST 2+310	2,310	2.600	2.600	2.600	4.260	0.766	3.447
ST 2+390	2,390	3.220	2.440	1.140	3.811	0.880	3.511
ST 2+430	2,430	3.220	2.440	1.140	3.811	0.923	3.511
ST 2+480	2,480	3.220	2.320	1.510	3.836	0.880	3.536
ST 2+548	2,548	3.660	3.360	1.510	3.886	1.223	3.586
ST 2+585	2,585	3.480	2.840	1.640	3.886	1.266	3.586
ST 2+681	2,681	4.060	2.650	1.820	4.060	1.409	3.610
ST 2+781	2,781	5.160	3.830	3.010	5.160	1.552	3.785
ST 2+881	2,881	4.240	2.970	2.020	4.240	1.695	3.851
ST 2+986	2,986	3.410	3.890	1.150	4.214	1.838	3.914
ST 3+010	3,010	4.680	4.880	2.330	4.680	1.881	3.925
ST 3+050	3,050	3.970	3.520	2.190	4.258	1.995	3.958
ST 3+080	3,080	3.860	3.670	2.400	4.228	2.091	3.976
ST 3+140	3,140	3.760	3.830	2.600	4.302	2.281	4.002
ST 3+217	3,217	4.420	3.780	3.470	4.420	2.604	4.099
ST 3+330	3,330	4.730	3.860	3.390	4.730	2.981	4.162
ST 3+475	3,475	4.960	4.970	3.470	4.960	3.288	4.238
ST 3+765	3,765	5.900	5.900	4.400	5.900	4.254	4.702

The Study on Storm Water Drainage Plan  
for the Colombo Metropolitan Region  
in the Democratic Socialist Republic of Sri Lanka  
JAPAN INTERNATIONAL COOPERATION AGENCY

Figure 2.4.9  
Longitudinal Profile of Proposed Rattanapitiya  
Ela and Delkanda Ela Channel Improvement

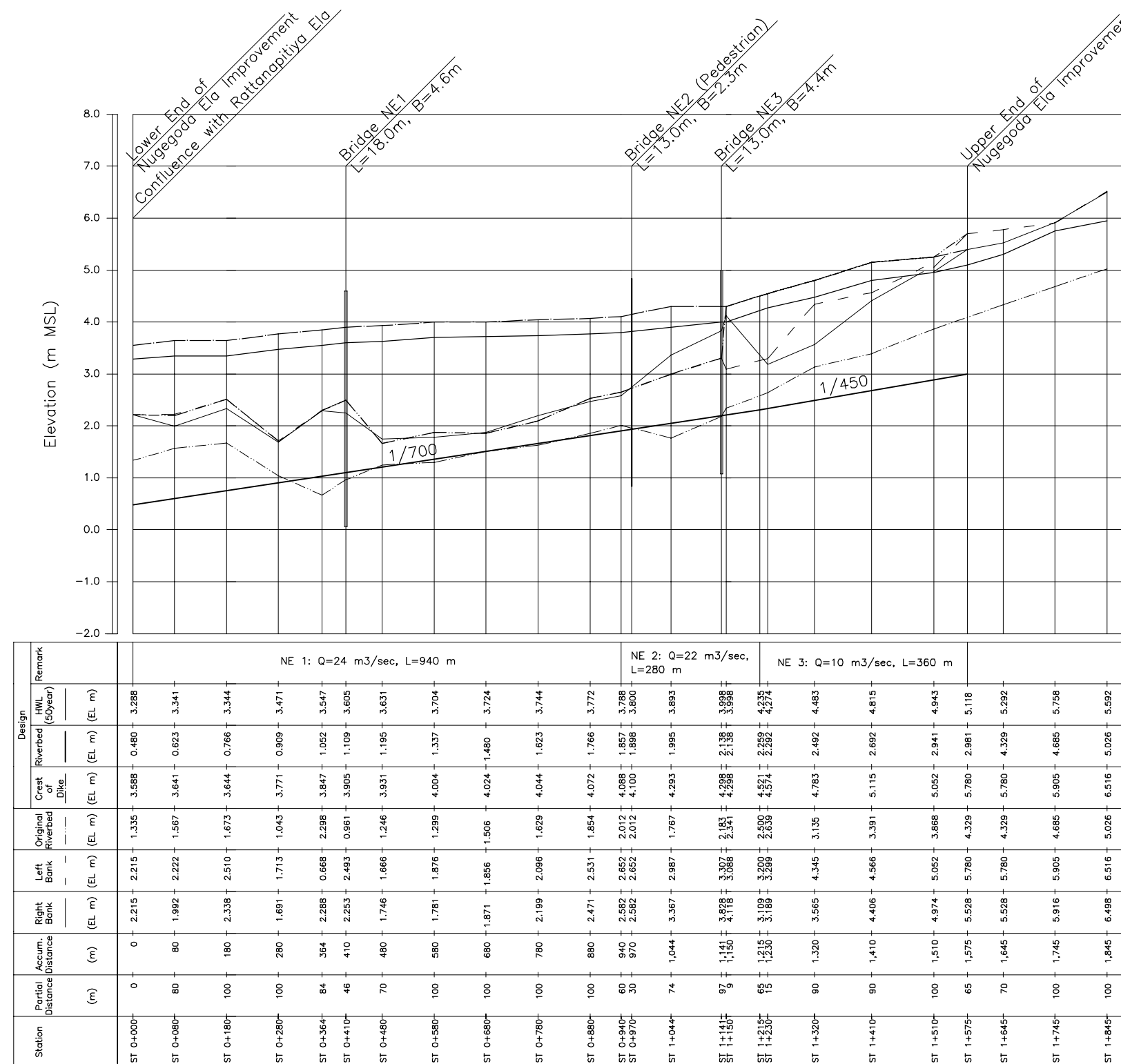


*The Study on Storm Water Drainage Plan  
for the Colombo Metropolitan Region  
in the Democratic Socialist Republic of Sri Lanka*

JAPAN INTERNATIONAL COOPERATION AGENCY

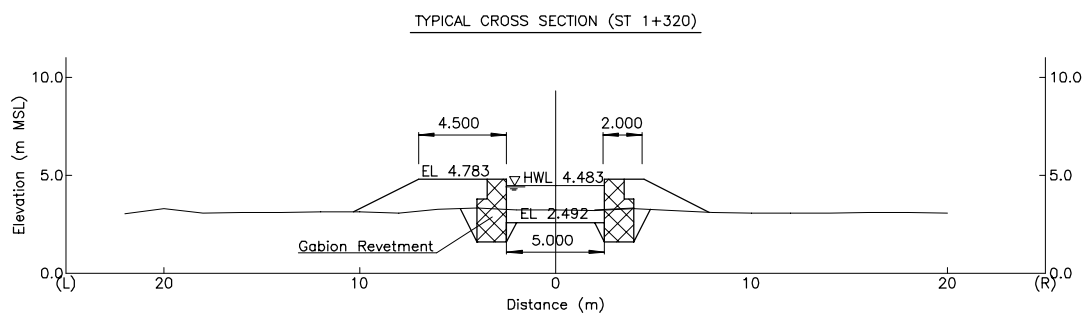
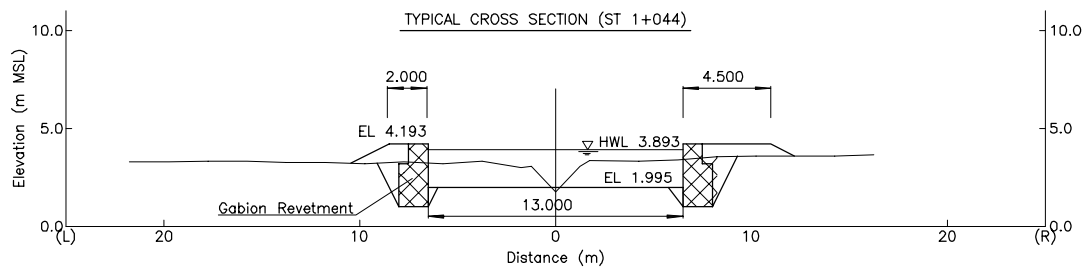
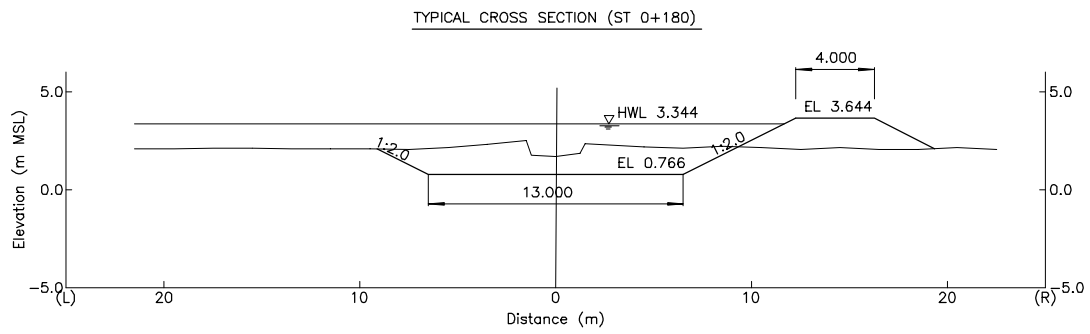
**Figure 2.4.10**  
Typical Cross Section of Proposed Rattanapitiya  
Ela and Delkanda Ela Channel Improvement





The Study on Storm Water Drainage Plan  
for the Colombo Metropolitan Region  
in the Democratic Socialist Republic of Sri Lanka  
JAPAN INTERNATIONAL COOPERATION AGENCY

Figure 2.4.11  
Longitudinal Profile of Proposed Nugegoda  
Ela Channel Improvement

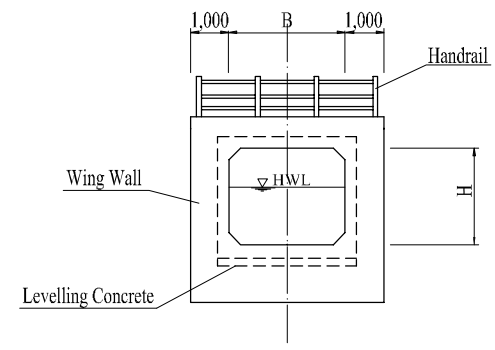
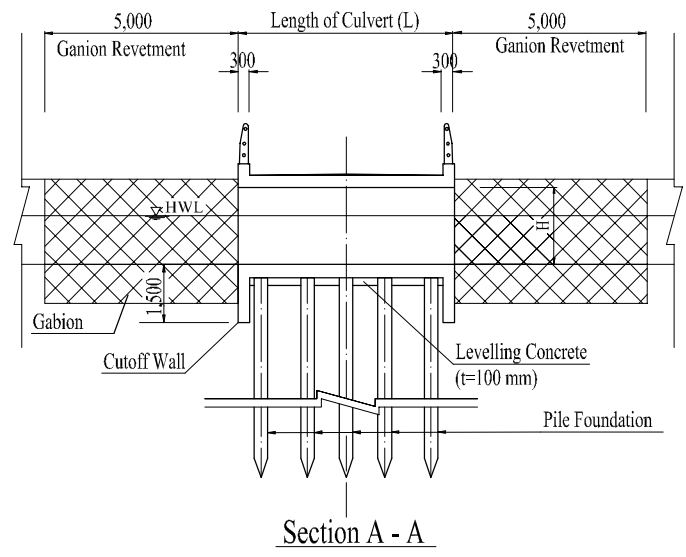
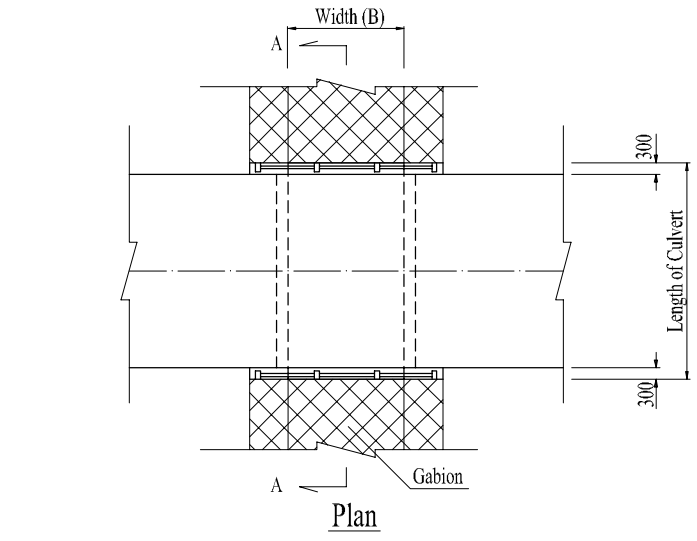


*The Study on Storm Water Drainage Plan  
for the Colombo Metropolitan Region  
in the Democratic Socialist Republic of Sri Lanka*

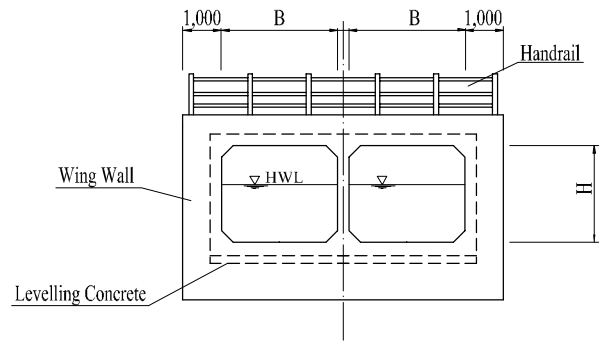
JAPAN INTERNATIONAL COOPERATION AGENCY

**Figure 2.4.12**  
**Typical Cross Section of Proposed Nugegoda**  
**Ela Channel Improvement**

**Figure 2.4.13**  
**Typical Design of Proposed Culvert**



Elevation of 1-Cell Culvert



Elevation of 2-Cells Culvert

