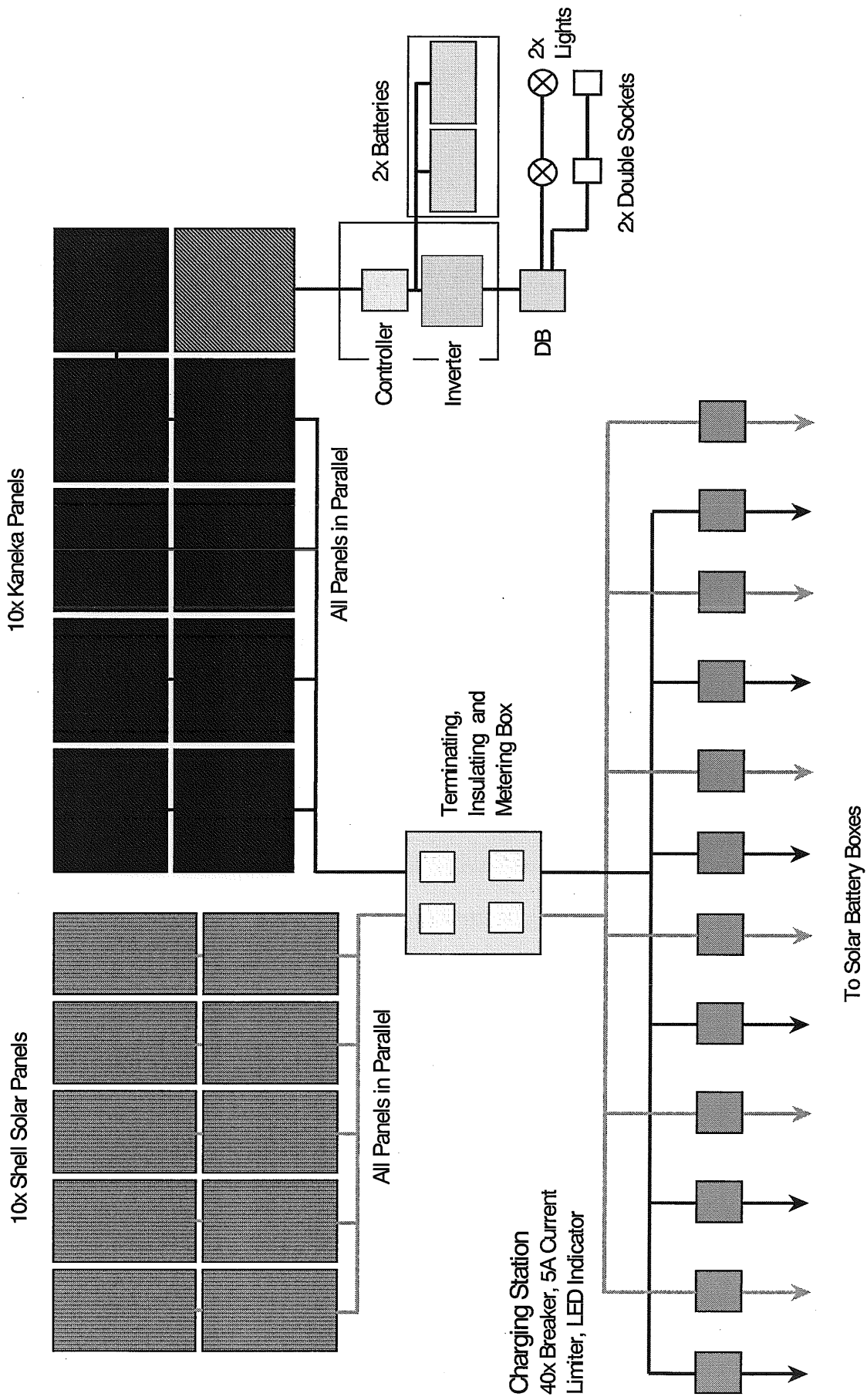
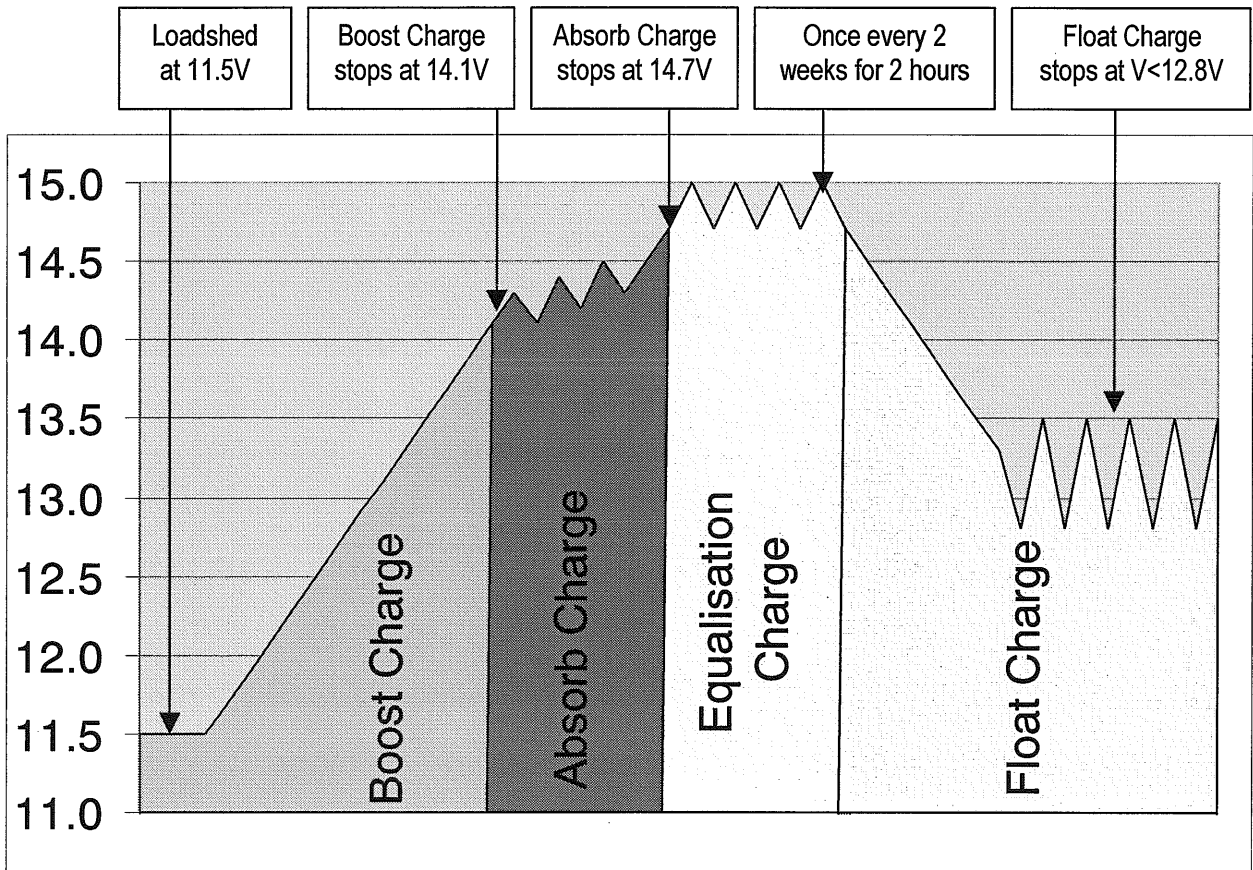


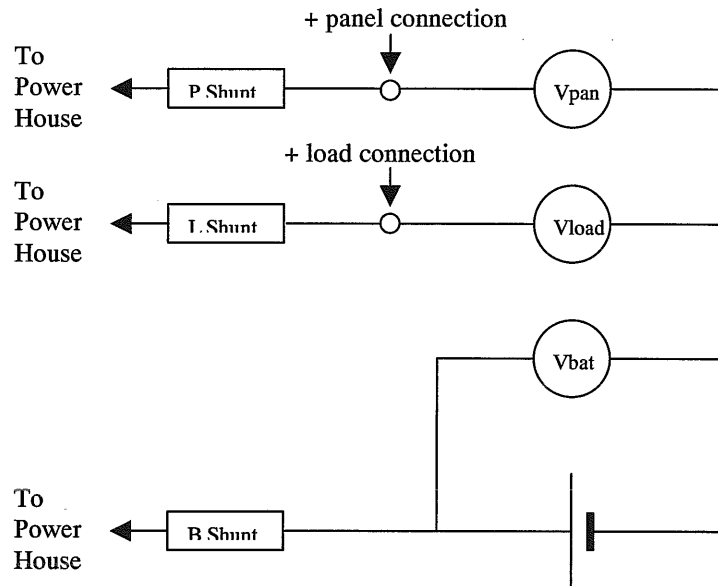
Attachment 4 Schematic Electric Diagram of the Solar Battery Charging Station



Attachment 5 Charging modes of the Power House Charge Regulator



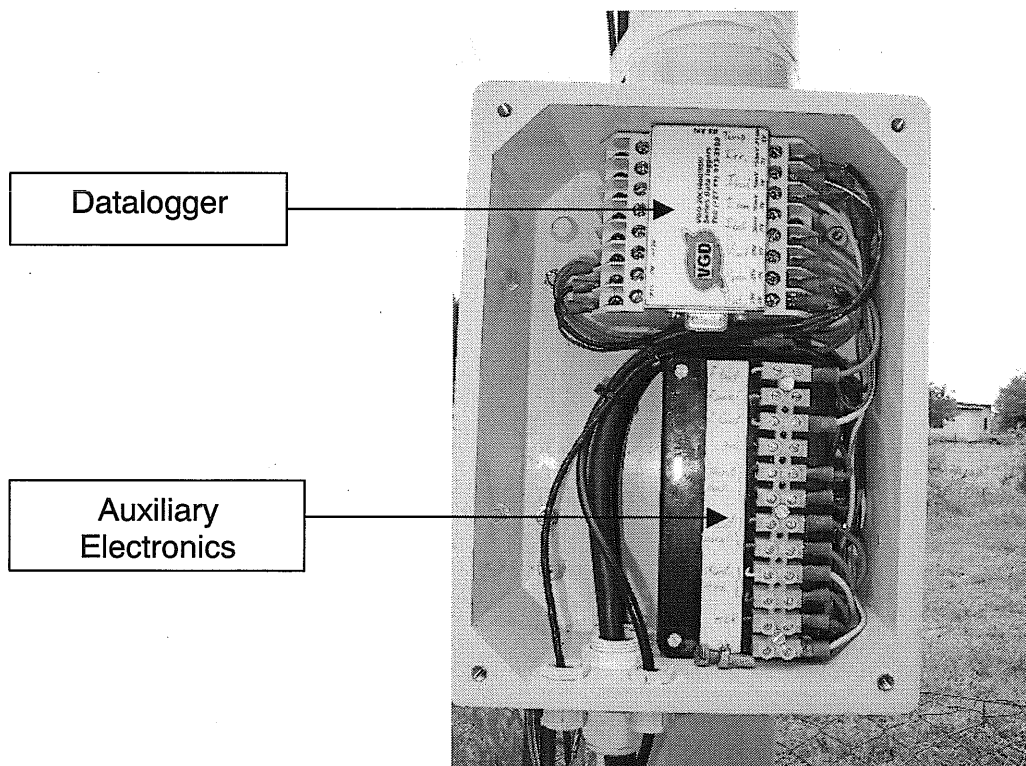
Attachment 6 Points of Voltage and Current measurement in Power House system



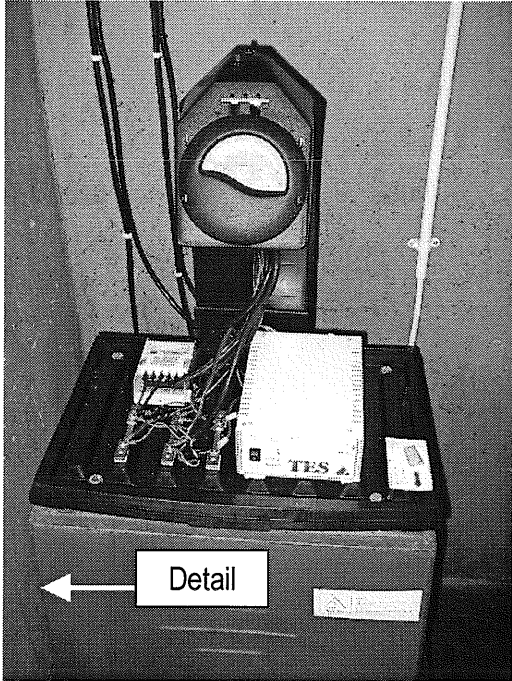
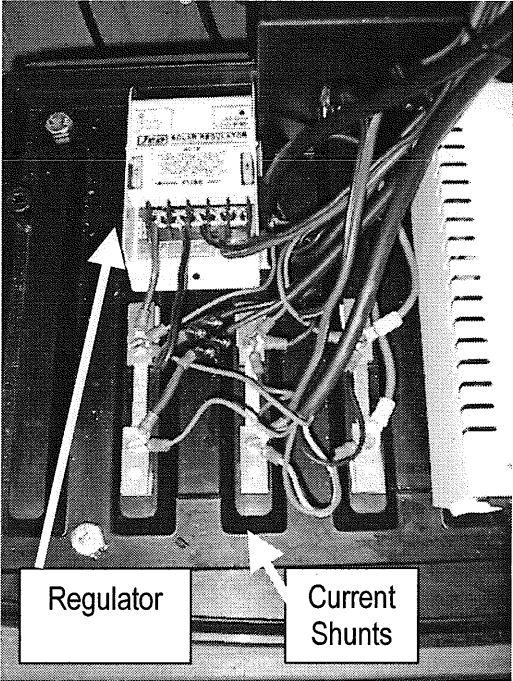
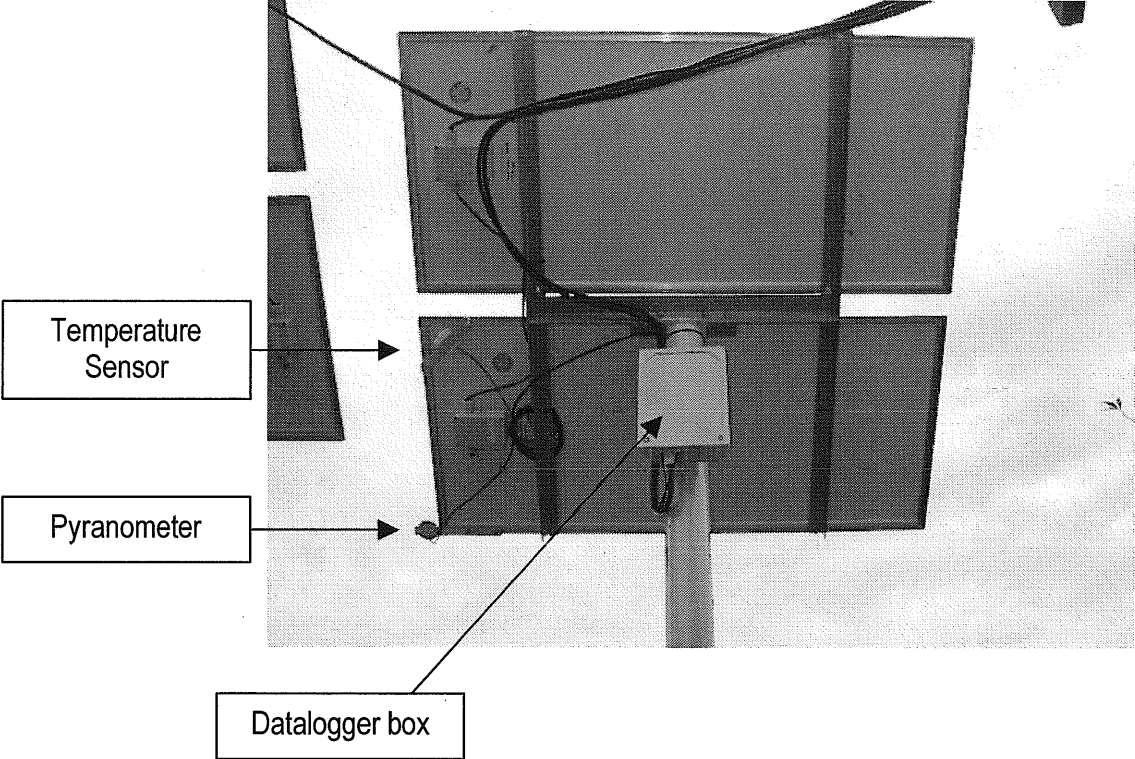
The datalogger has common ground (no differential inputs). The negative terminal of the battery is connected to the common ground of the datalogger.

Voltages are measured by direct connections to the voltage input channels of the datalogger.

Currents are measured using shunts ($5A=50mV$). Voltage is measured over the shunt and 3 MAXIM 472 are used to be able to separate these voltages from common ground.

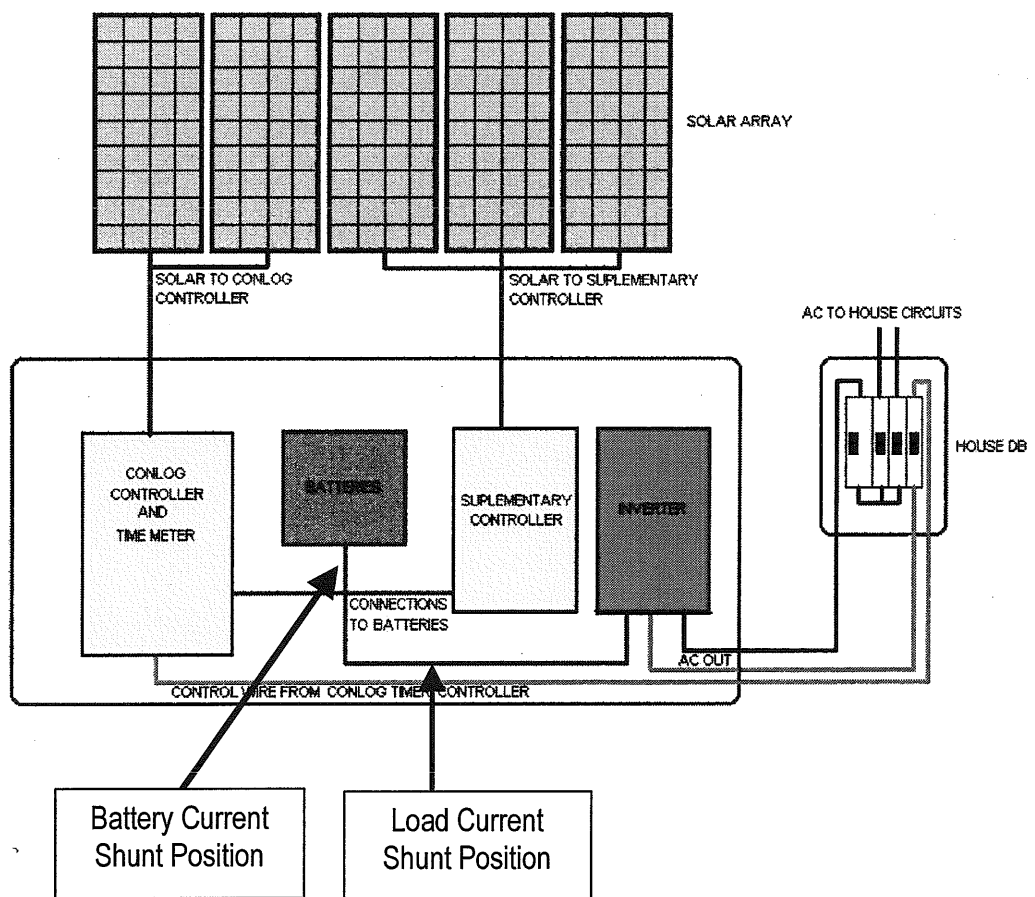


Attachment 7 Data Acquisition System at Kudumatse



Attachment 8 Position of the Current Shunt Data Acquisition System at Kudumatse (4 Panel System)

JICA SOLAR SYSTEMS PROJECT POWER HOUSE AC SYSTEM



Appendix 9

－ブランク－

Appendix 10

—ブランク—

Appendix 11

－ブランク－

Appendix 12

—ブランカー—