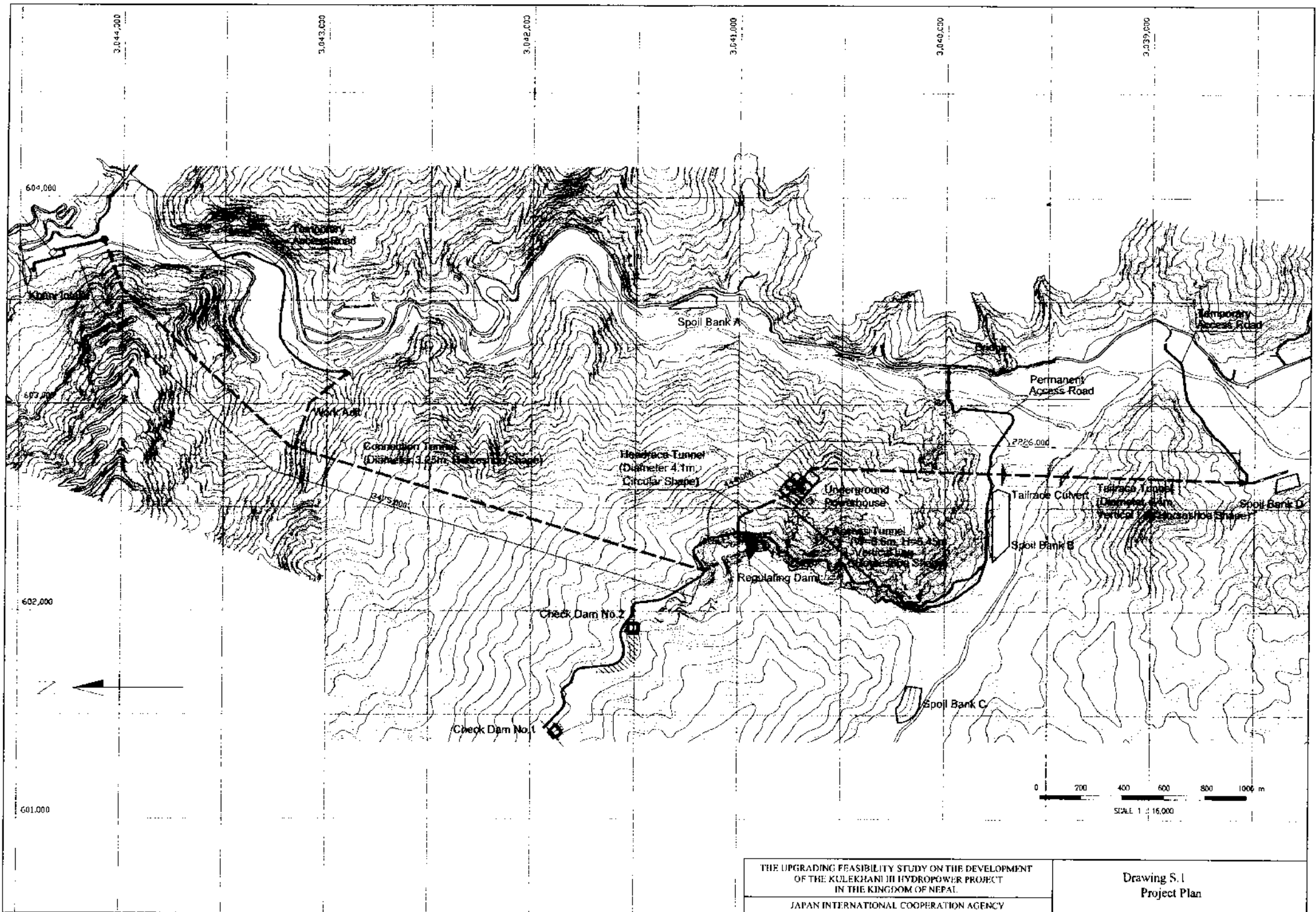


DRAWINGS

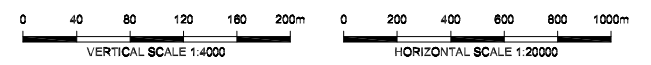
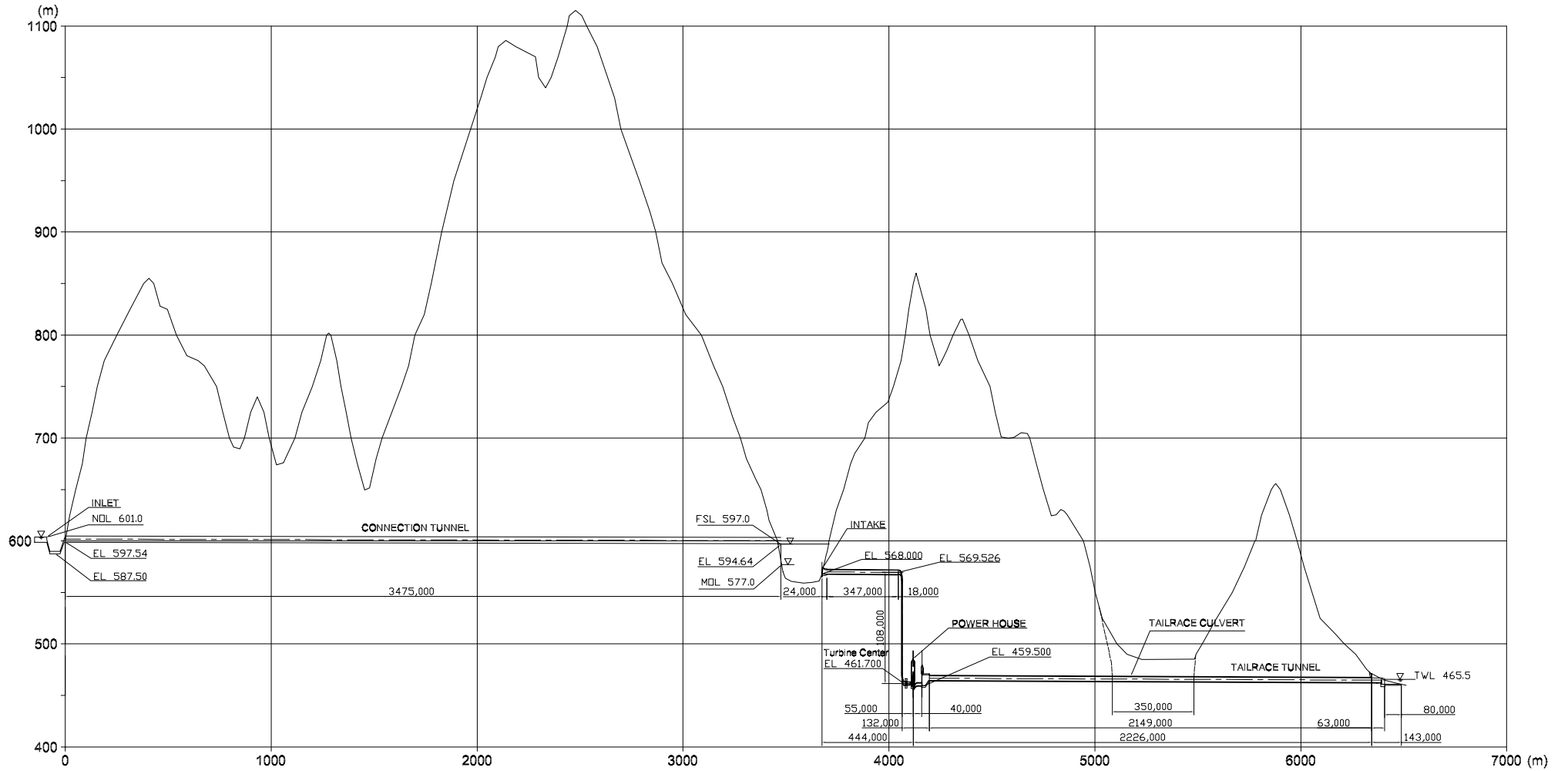
Summary



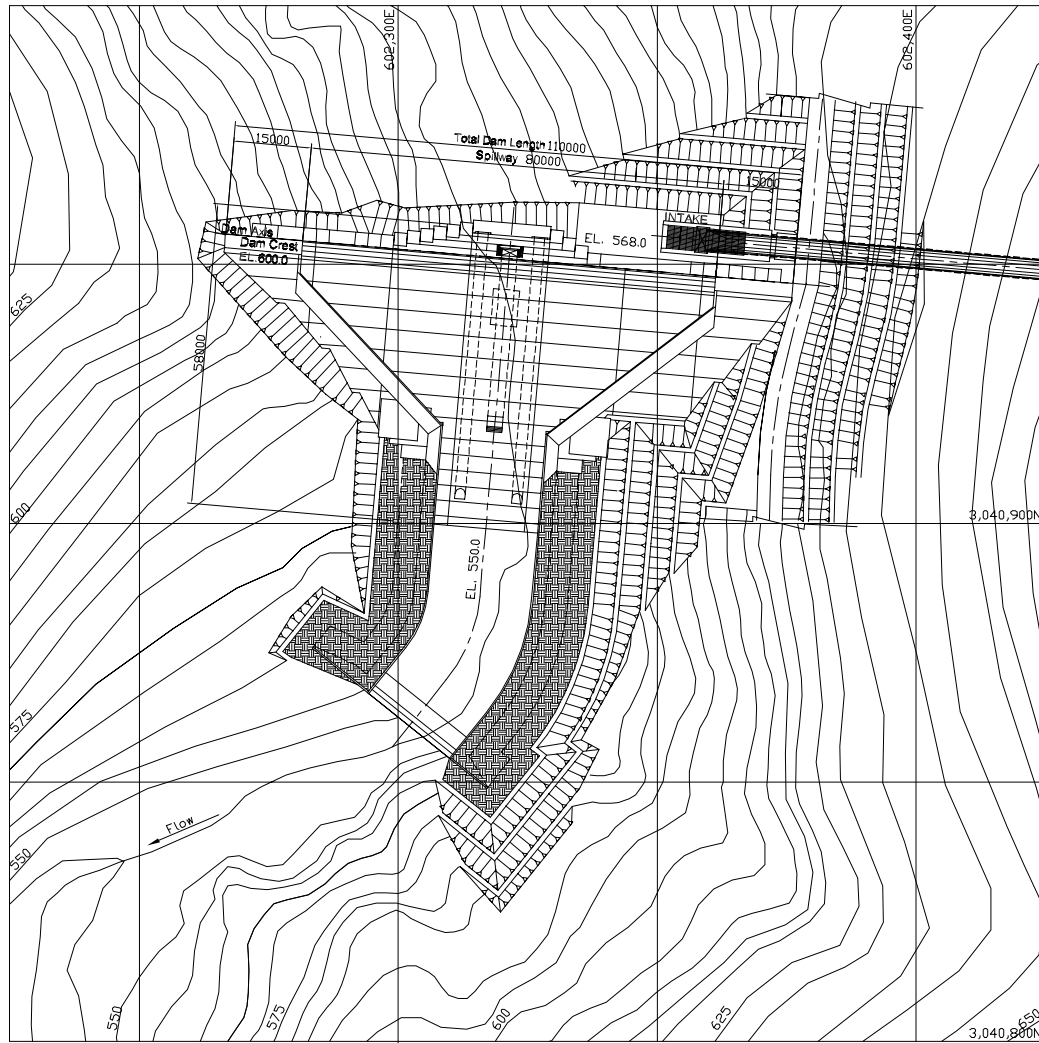
THE UPGRADING FEASIBILITY STUDY ON THE DEVELOPMENT
 OF THE KULEKHANI III HYDROPOWER PROJECT
 IN THE KINGDOM OF NEPAL

JAPAN INTERNATIONAL COOPERATION AGENCY

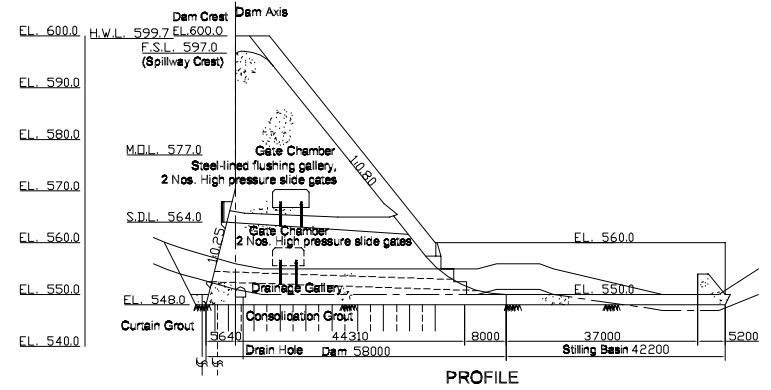
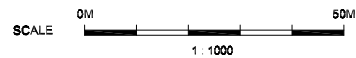
Drawing S.1
 Project Plan



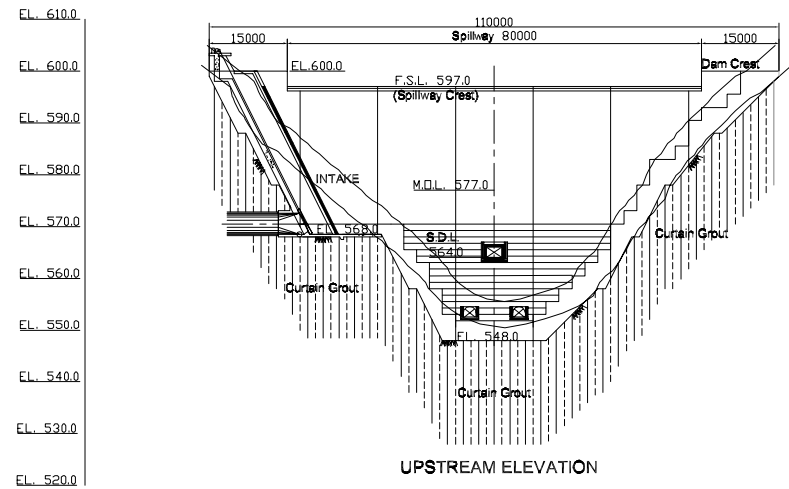
<p>THE UPGRADING FEASIBILITY STUDY ON THE DEVELOPMENT OF THE KULEKHANI III HYDROPOWER PROJECT IN THE KINGDOM OF NEPAL</p>	<p>Drawing S.2 Project Profile</p>
<p>JAPAN INTERNATIONAL COOPERATION AGENCY</p>	



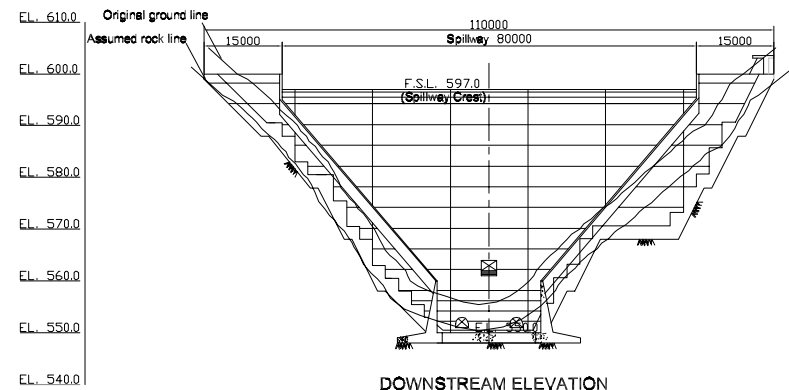
PLAN



PROFILE



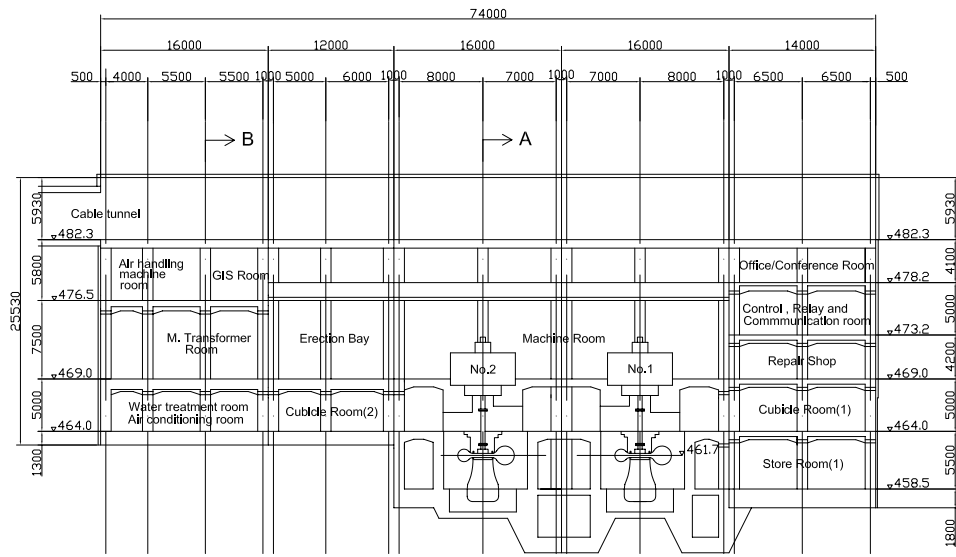
UPSTREAM ELEVATION



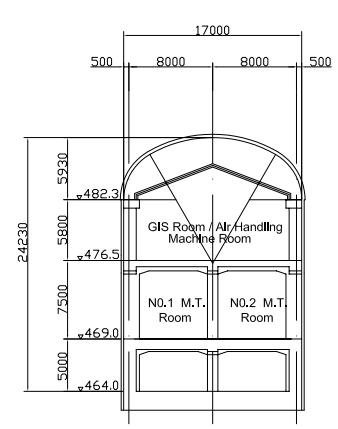
DOWNSTREAM ELEVATION

THE UPGRADING FEASIBILITY STUDY ON THE DEVELOPMENT
OF THE KULEKHANI III HYDROPOWER PROJECT
IN THE KINGDOM OF NEPAL
JAPAN INTERNATIONAL COOPERATION AGENCY

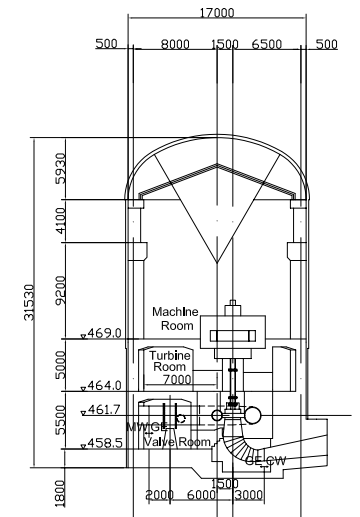
Drawing S.3
Regulating Dam



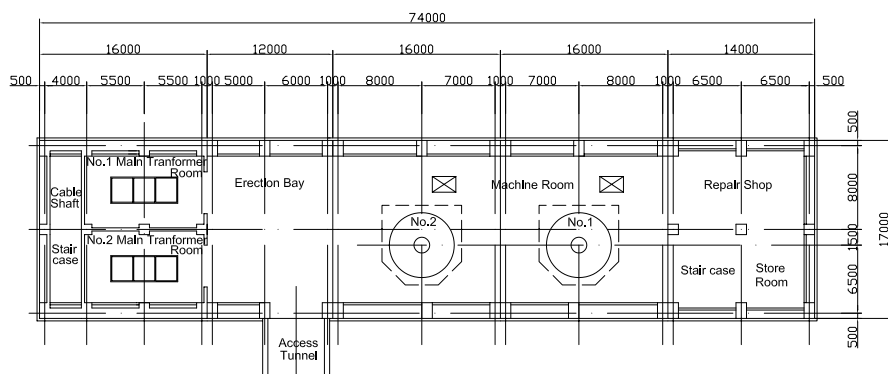
LONGITUDINAL SECTION



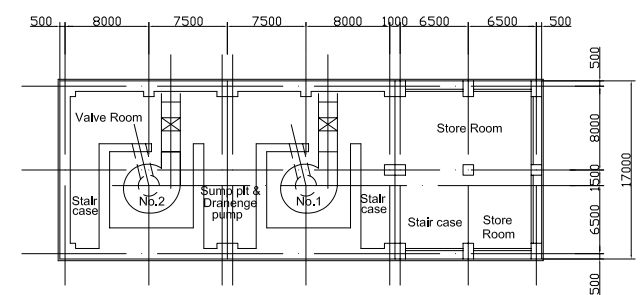
SECTION B-B



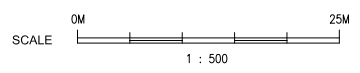
SECTION A-A



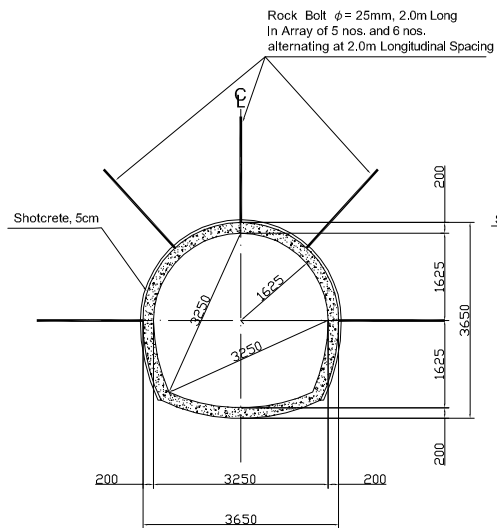
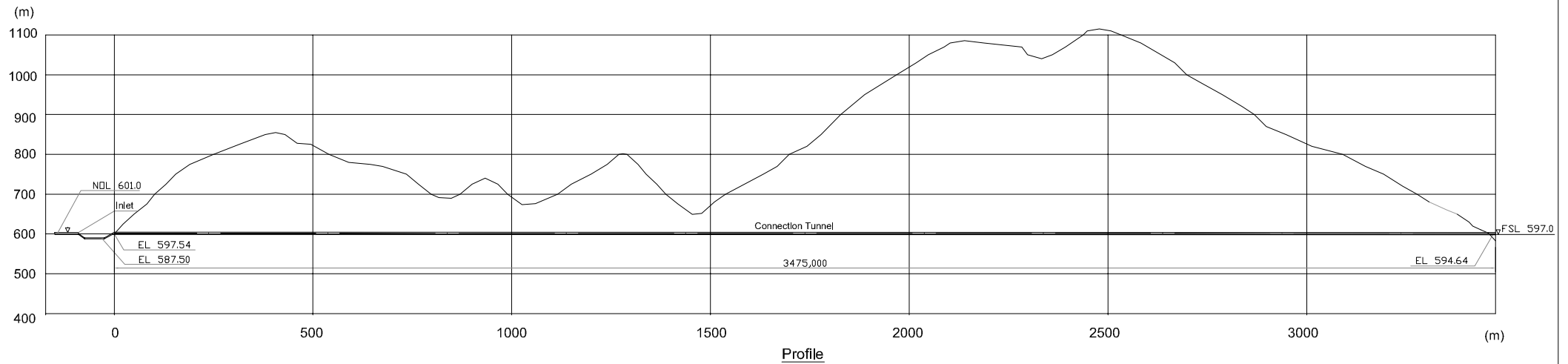
PLAN (EL.469.0)



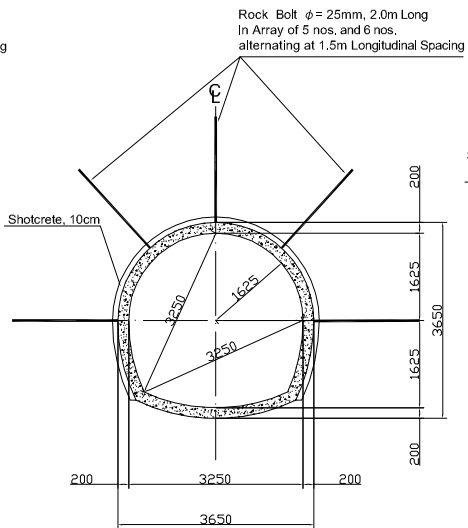
PLAN (EL.458.5)



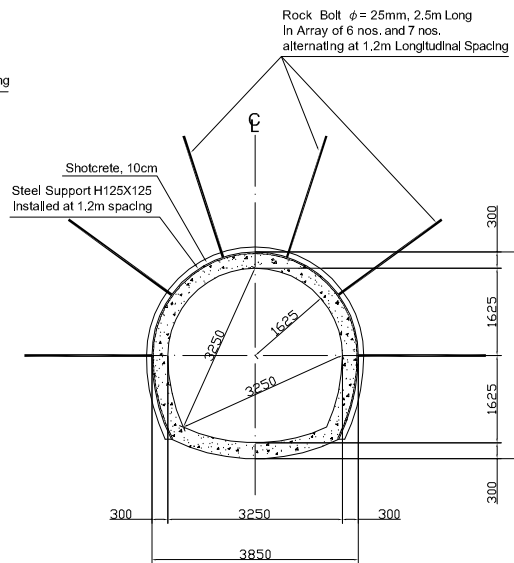
THE UPGRADING FEASIBILITY STUDY ON THE DEVELOPMENT OF THE KULEKHANI III HYDROPOWER PROJECT IN THE KINGDOM OF NEPAL	Drawing S.4 Details of Underground Powerhouse
JAPAN INTERNATIONAL COOPERATION AGENCY	



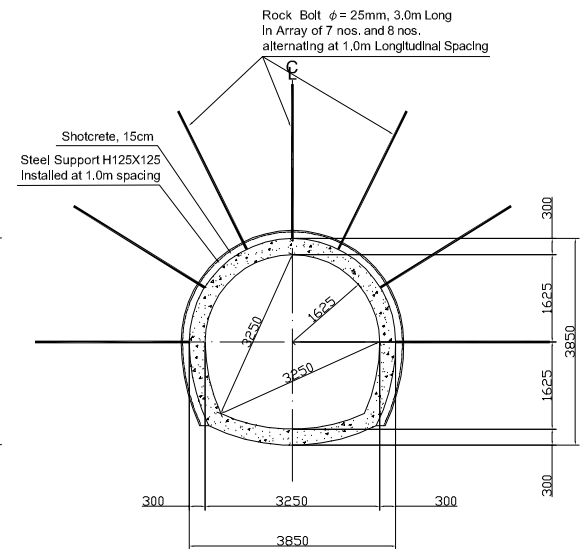
Section of Connection Tunnel
(For Good Rock Grade, Q2)



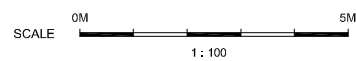
Section of Connection Tunnel
(For Fair Rock Grade, Q3)



Section of Connection Tunnel
(For Poor Rock Grade, Q4)



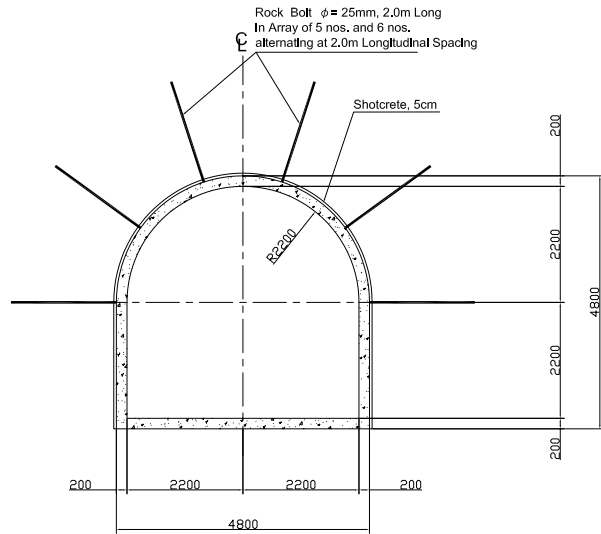
Section of Connection Tunnel
(For Very Poor Rock Grade, Q5)



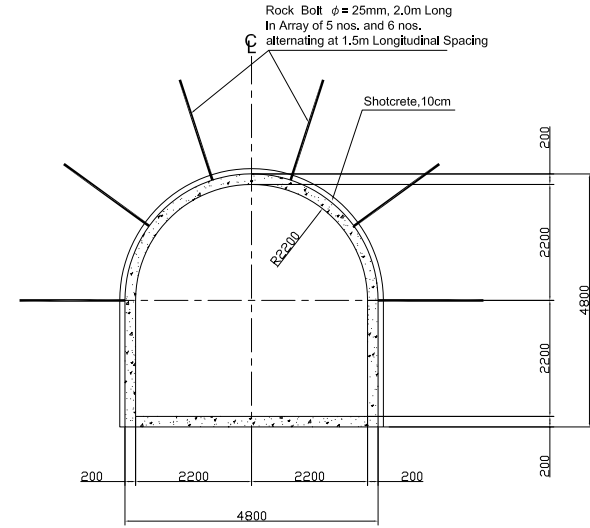
THE UPGRADING FEASIBILITY STUDY ON THE DEVELOPMENT
OF THE KULEKHANI III HYDROPOWER PROJECT
IN THE KINGDOM OF NEPAL

JAPAN INTERNATIONAL COOPERATION AGENCY

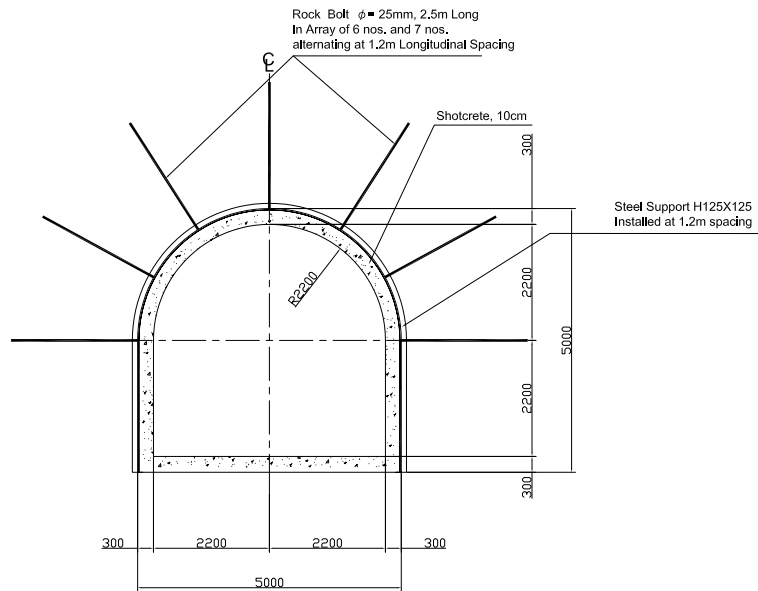
Drawing S.5
Typical Section of Connection Tunnel



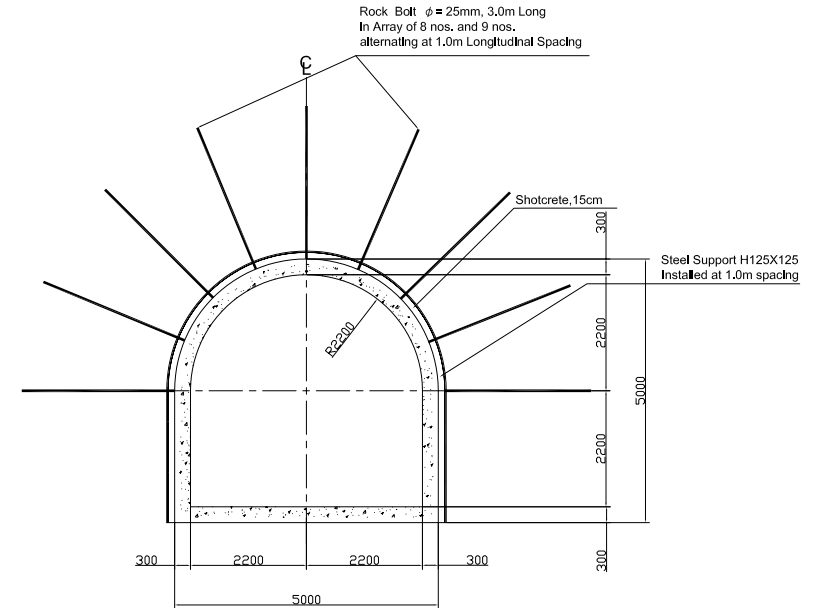
Tailrace Tunnel Section
(For Good Rock Grade, Q2)



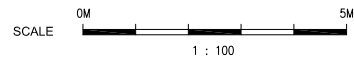
Tailrace Tunnel Section
(For Fair Rock Grade, Q3)



Tailrace Tunnel Section
(For Poor Rock Grade, Q4)



Tailrace Tunnel Section
(For Very Poor Rock Grade, Q5)



THE UPGRADING FEASIBILITY STUDY ON THE DEVELOPMENT
OF THE KULEKHANI III HYDROPOWER PROJECT
IN THE KINGDOM OF NEPAL
JAPAN INTERNATIONAL COOPERATION AGENCY

Drawing S.6
Typical Section of Tailrace Tunnel