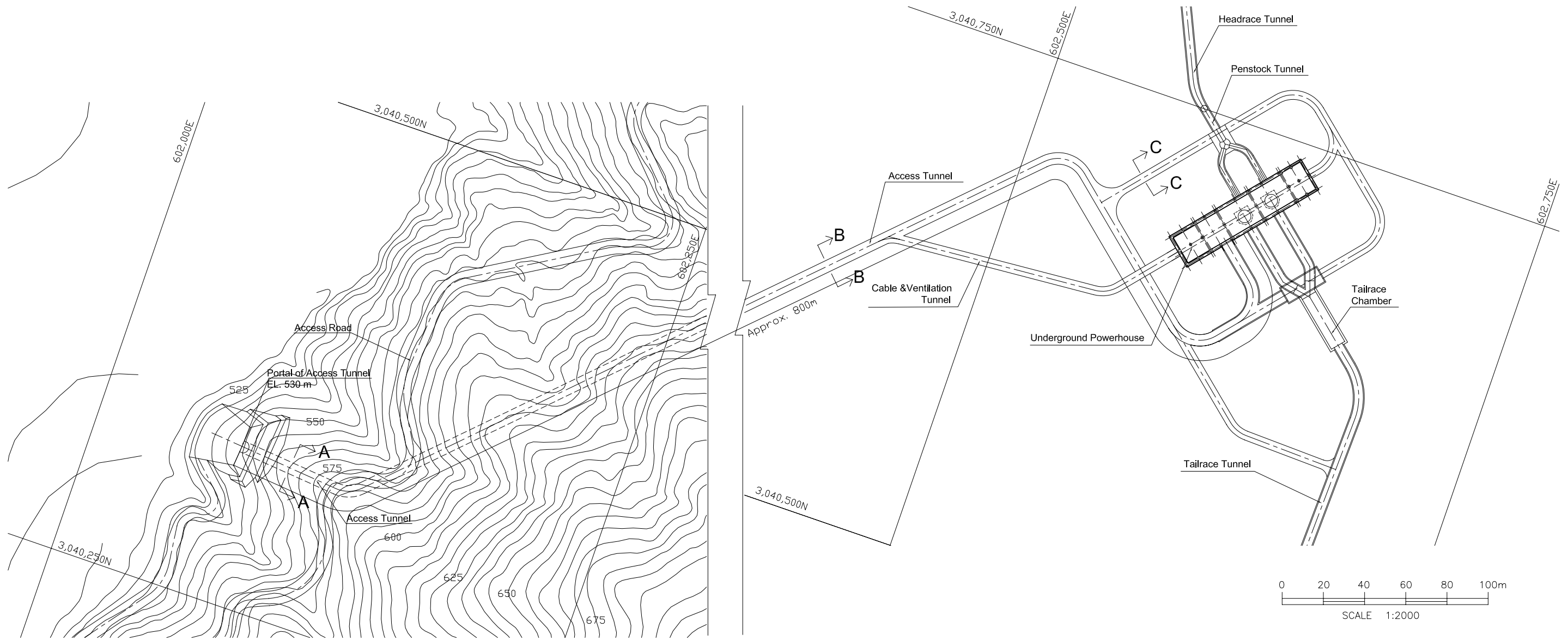
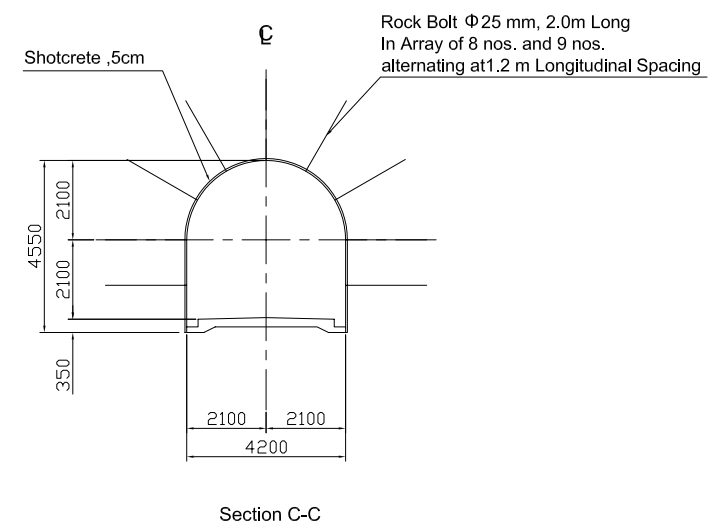
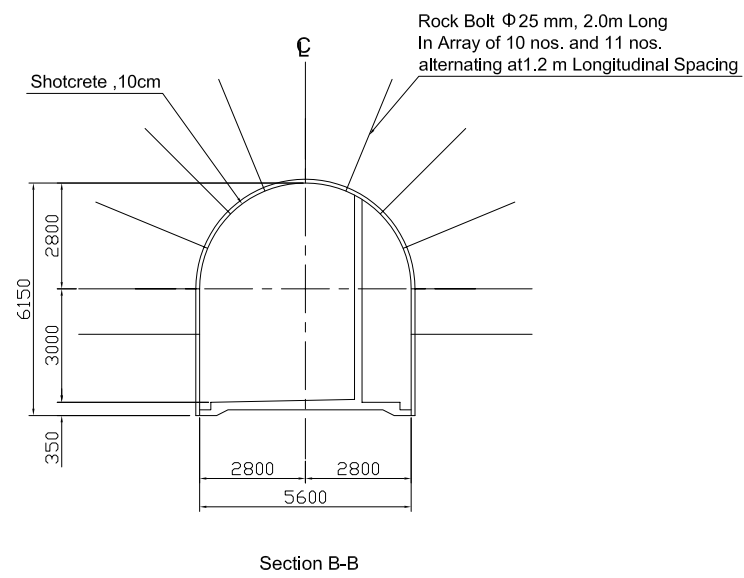
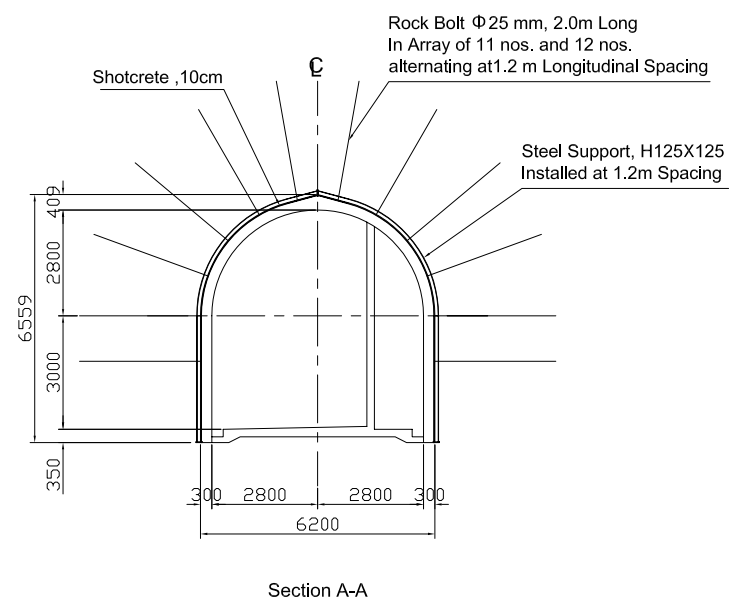


THE UPGRADING FEASIBILITY STUDY ON THE DEVELOPMENT
OF THE KULEKHANI III HYDROPOWER PROJECT
IN THE KINGDOM OF NEPAL
JAPAN INTERNATIONAL COOPERATION AGENCY

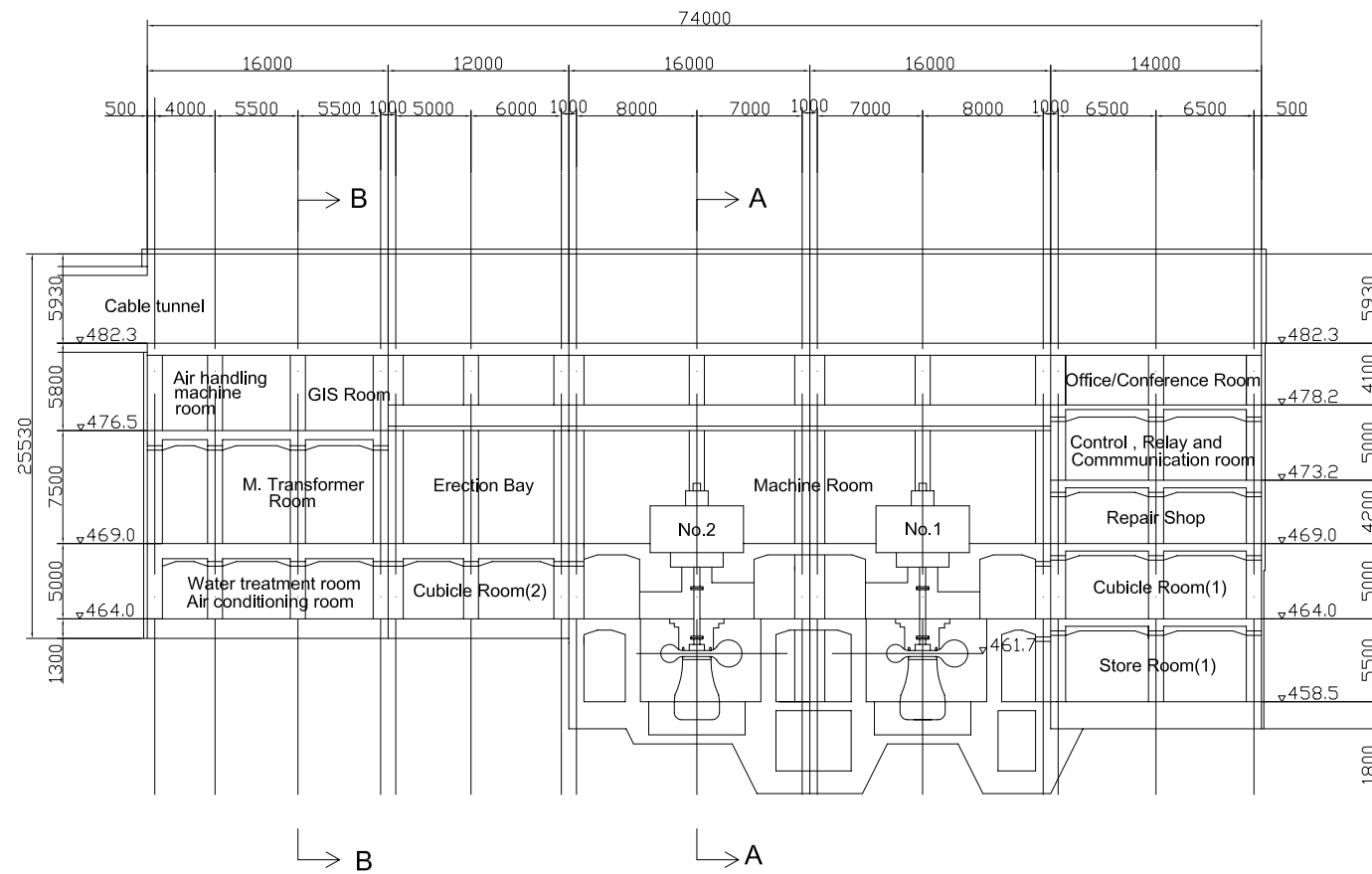
図面10
導水路トンネル及び
水圧鉄管路断面図



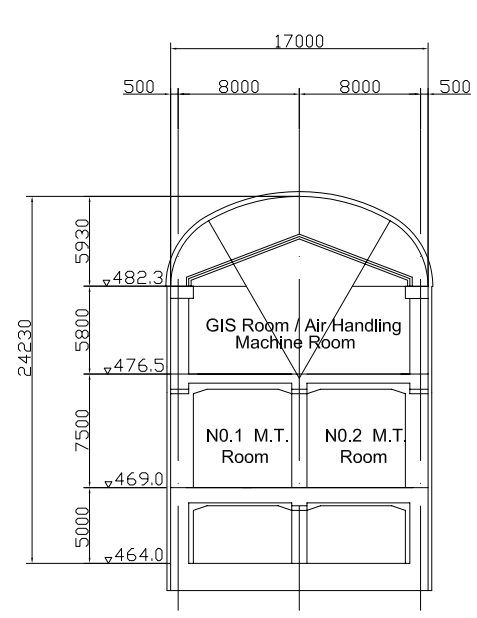
Plan



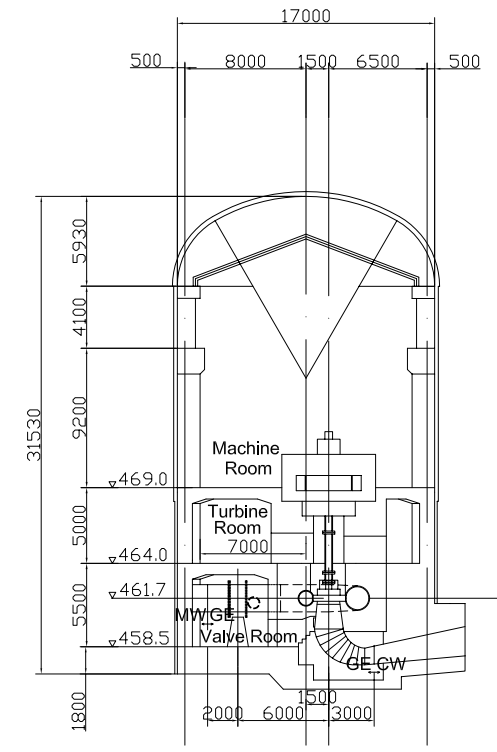
0 5m
SCALE 1:200



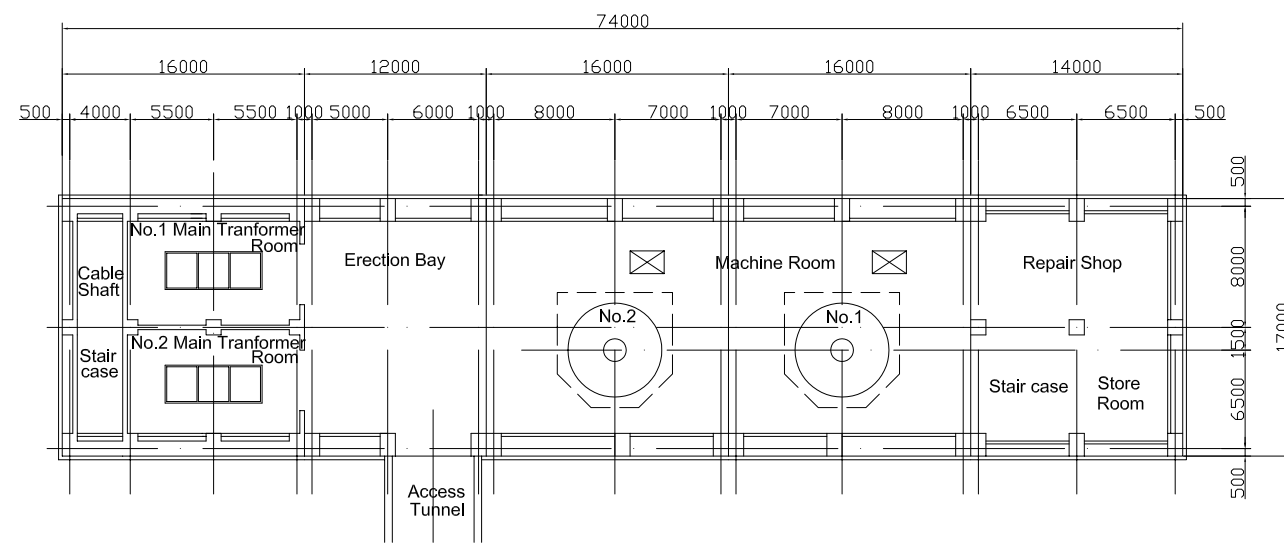
LONGITUDINAL SECTION



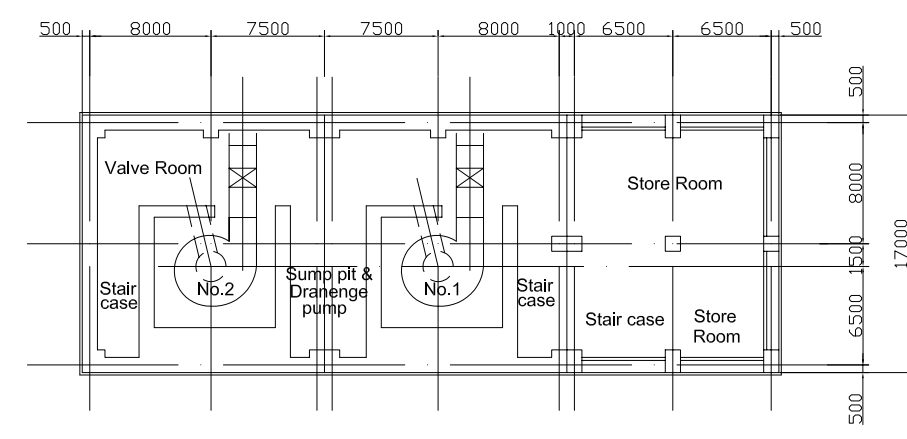
SECTION B-B



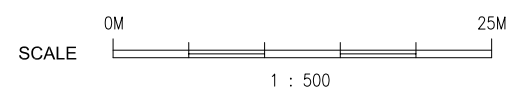
SECTION A-A



PLAN (EL.469.0)

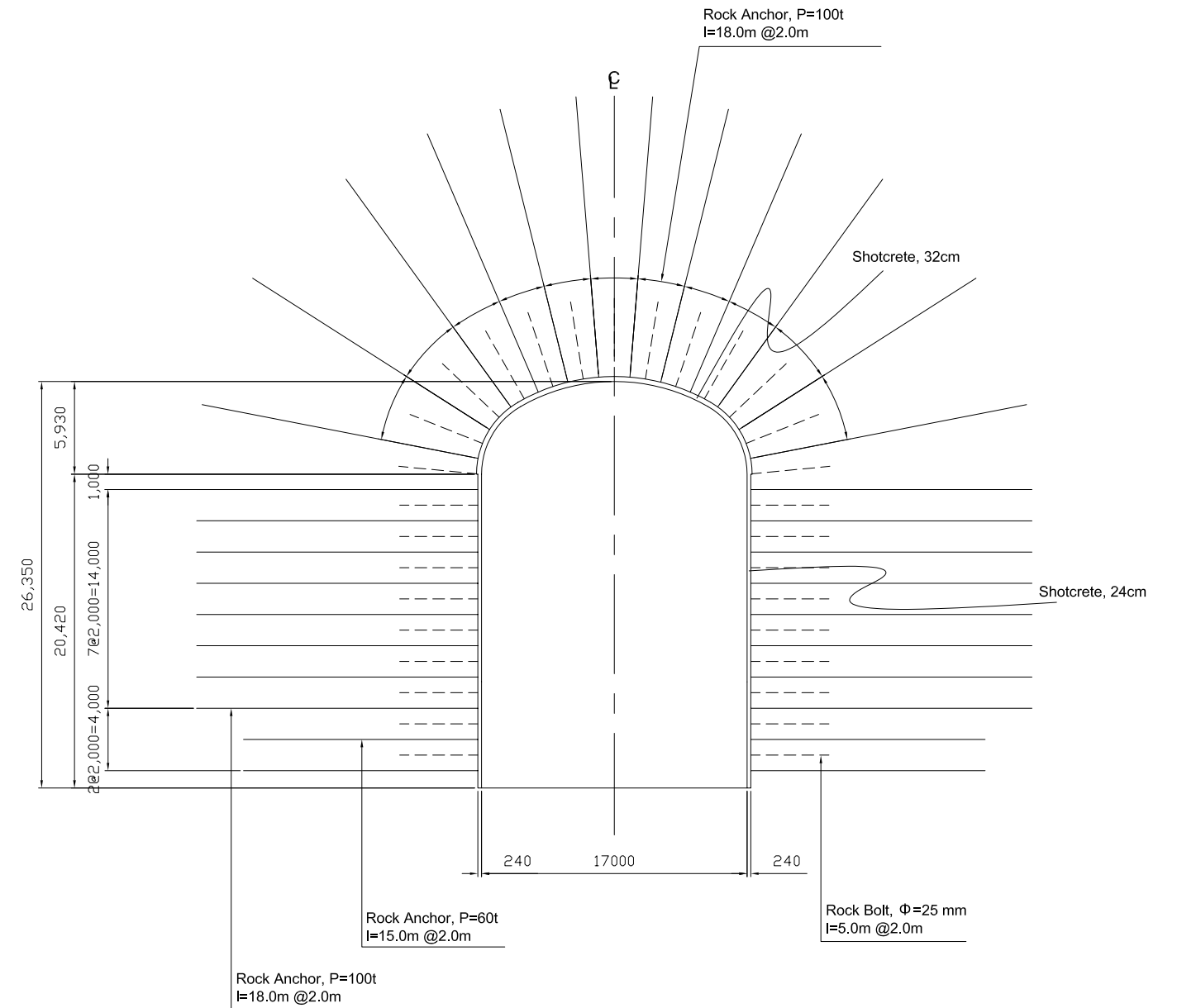
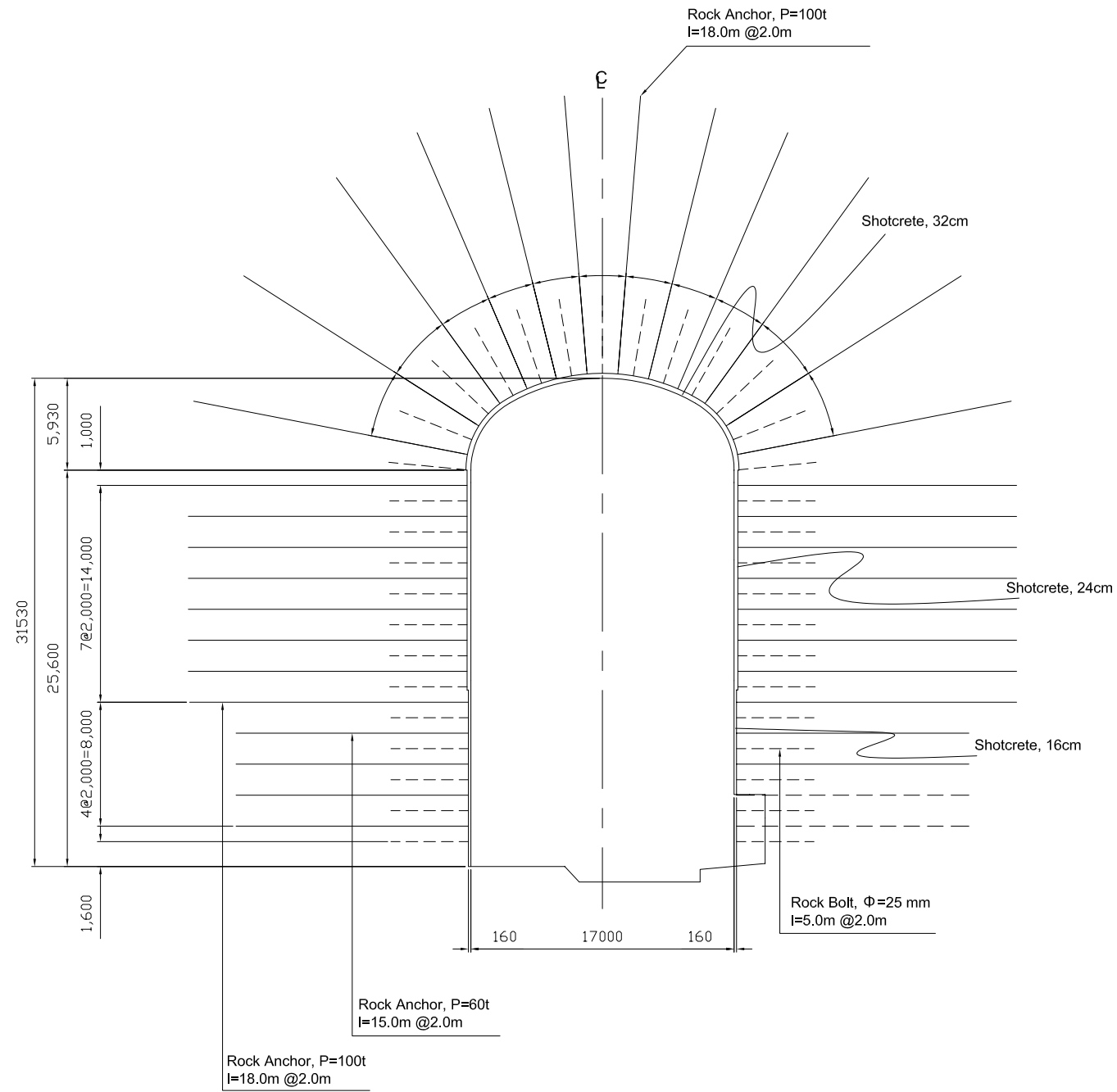


PLAN (EL.458.5)



THE UPGRADING FEASIBILITY STUDY ON THE DEVELOPMENT
OF THE KULEKHANI III HYDROPOWER PROJECT
IN THE KINGDOM OF NEPAL
JAPAN INTERNATIONAL COOPERATION AGENCY

図面12
地下発電所詳細図



0 2 4 6 8 10 (m)
SCALE 1:400

THE UPGRADING FEASIBILITY STUDY ON THE DEVELOPMENT
OF THE KULEKHANI III HYDROPOWER PROJECT
IN THE KINGDOM OF NEPAL
JAPAN INTERNATIONAL COOPERATION AGENCY

図面13
地下発電所空洞支保工