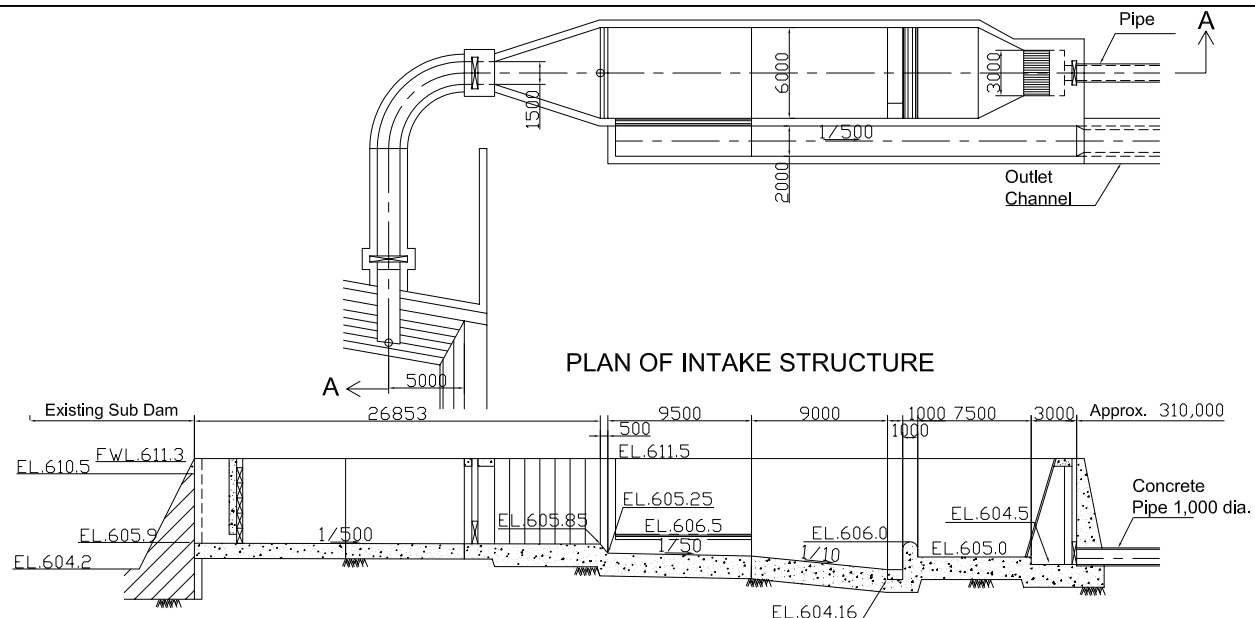
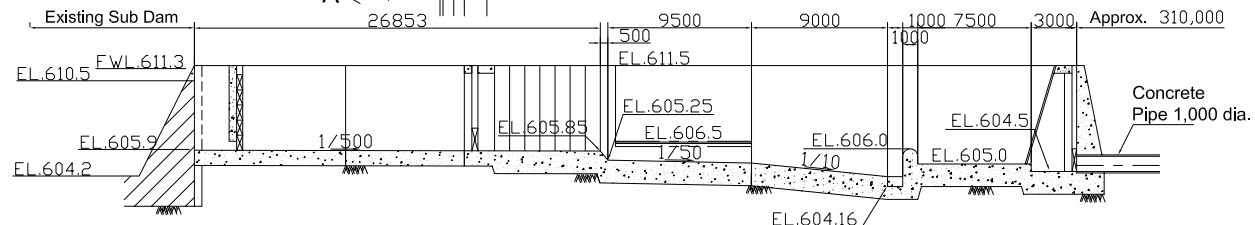


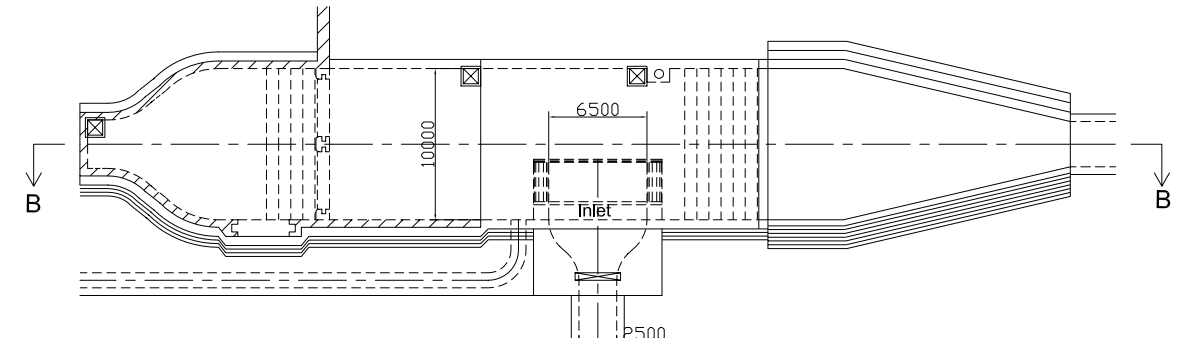
LAYOUT OF STRUCTURES



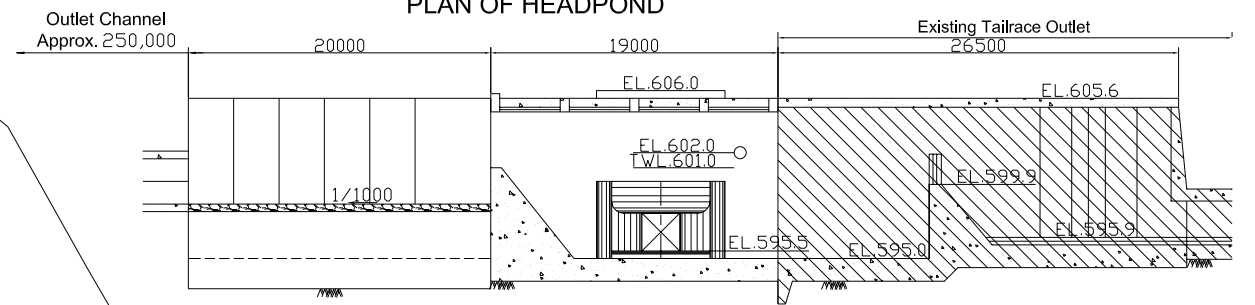
PLAN OF INTAKE STRUCTURE



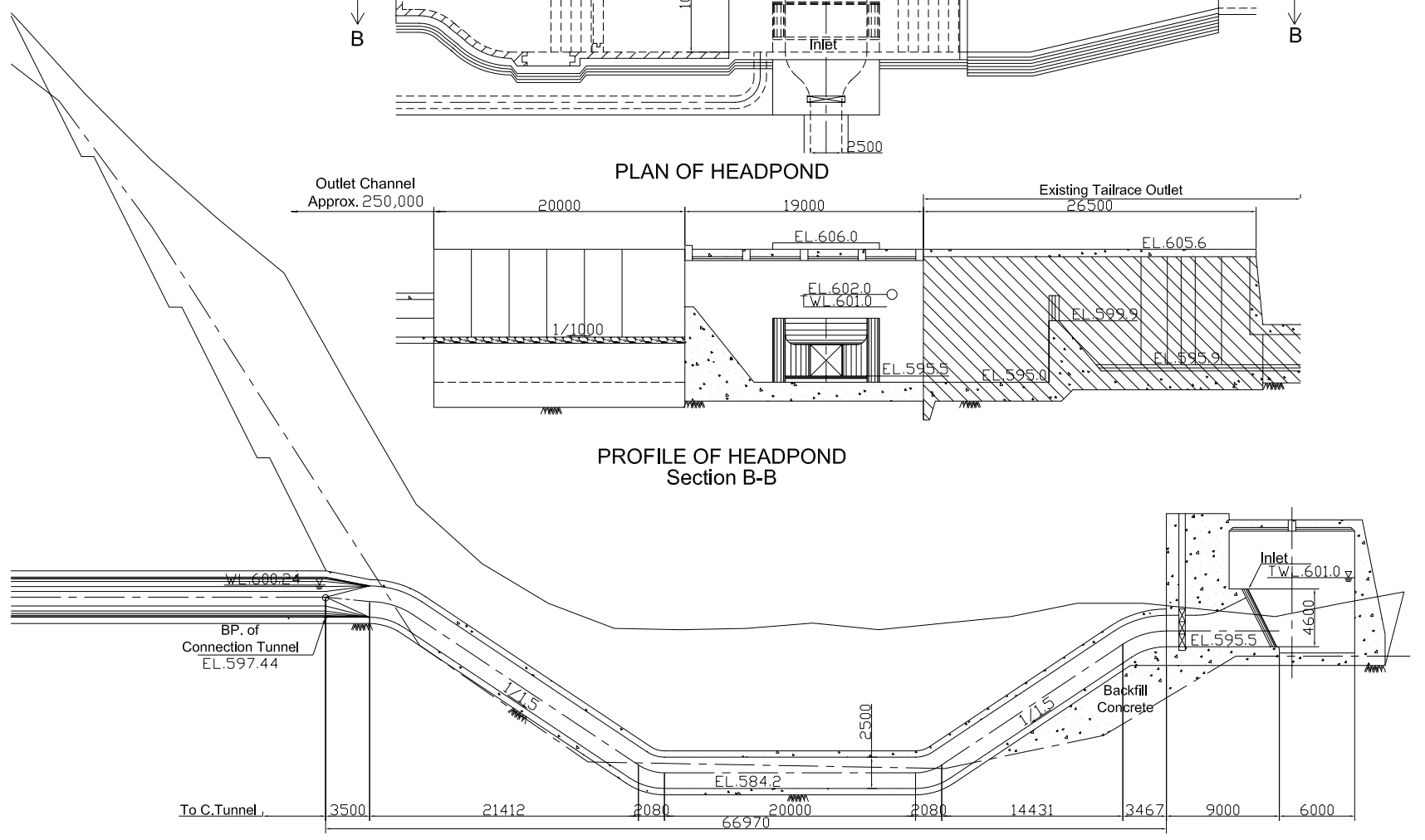
PROFILE OF INTAKE STRUCTURE Section A-A



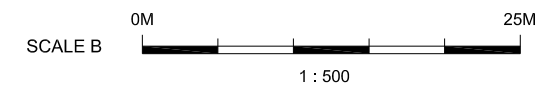
PLAN OF HEADPOND



PROFILE OF HEADPOND Section B-B

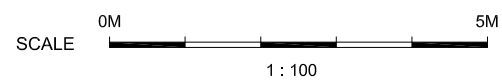
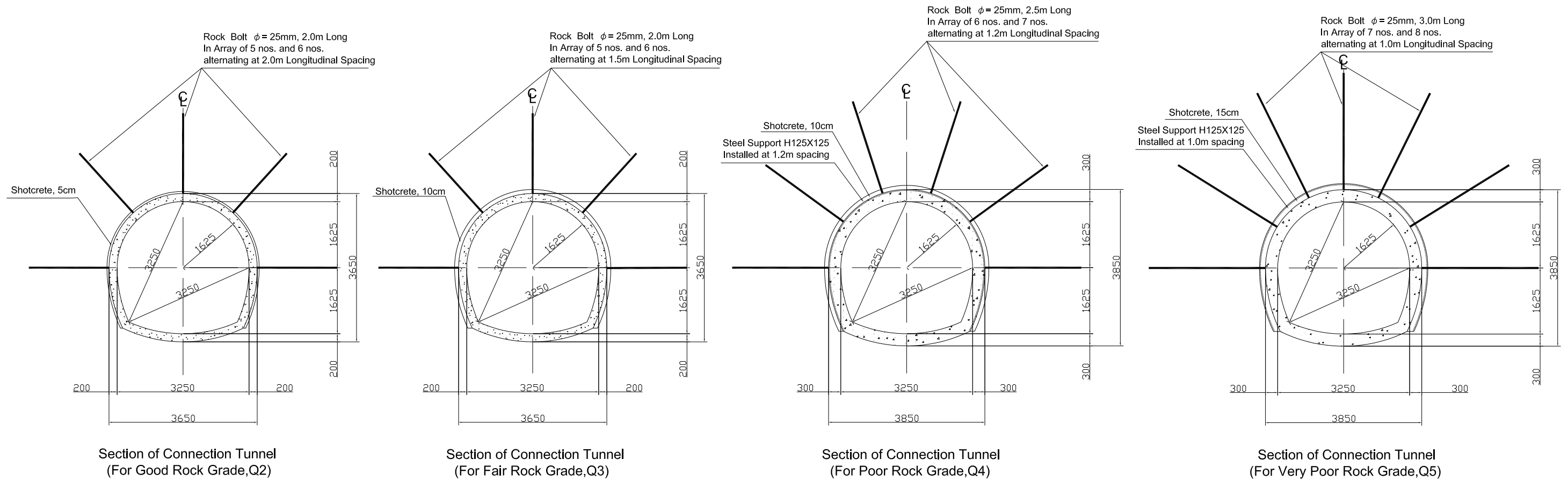
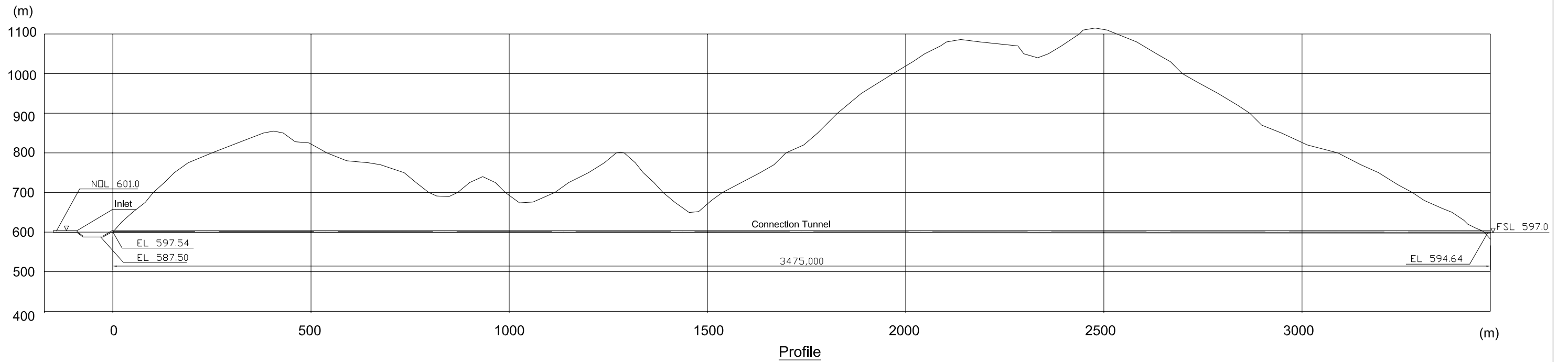


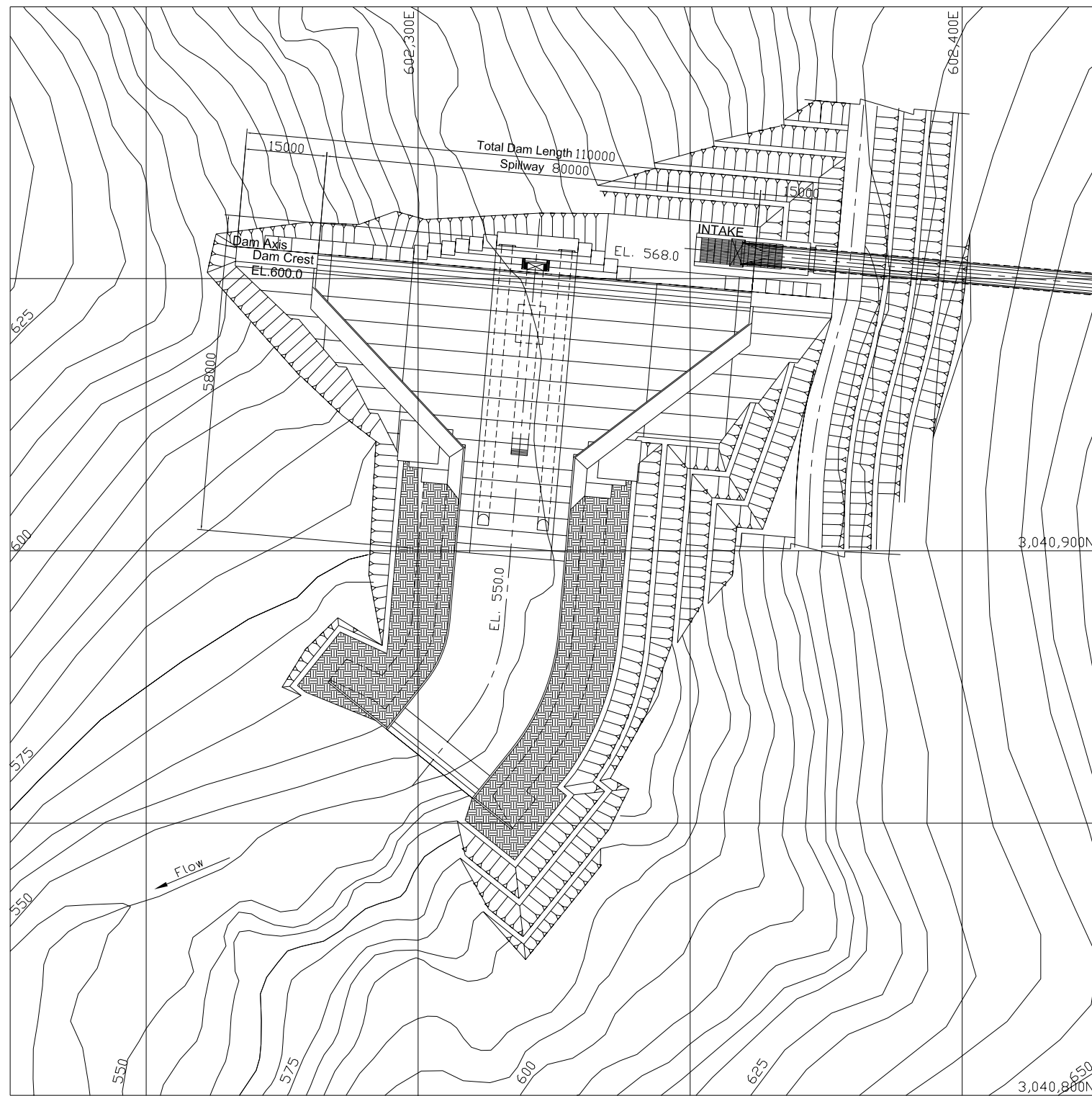
PROFILE OF SIPHON Section C-C



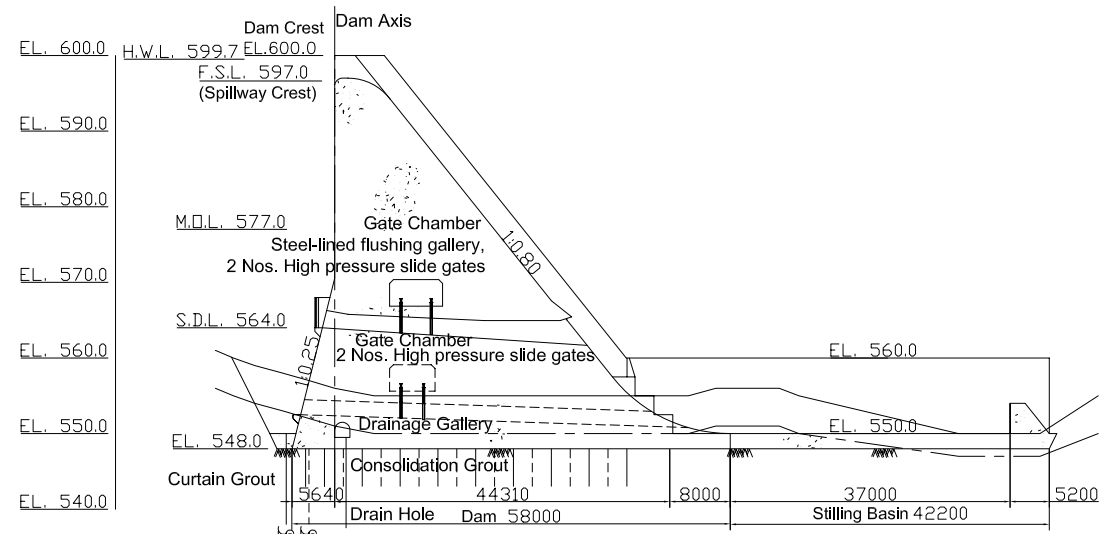
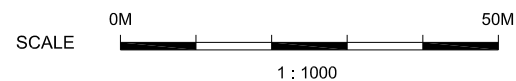
THE UPGRADING FEASIBILITY STUDY ON THE DEVELOPMENT OF THE KULEKHANI III HYDROPOWER PROJECT IN THE KINGDOM OF NEPAL  
JAPAN INTERNATIONAL COOPERATION AGENCY

図面3  
カニ頭首工

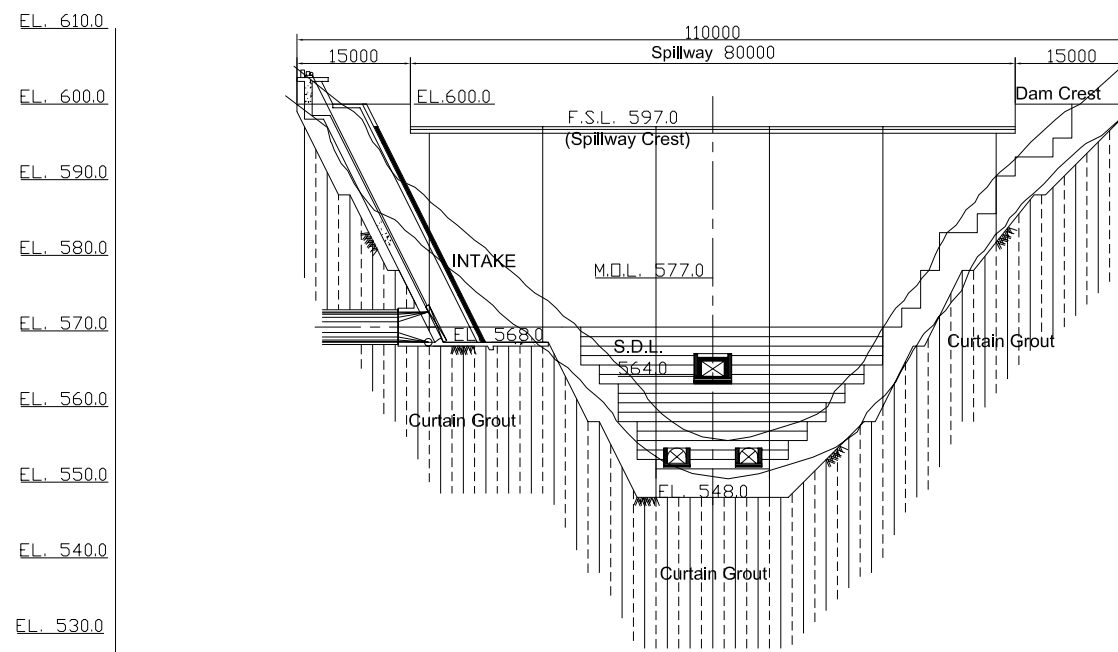




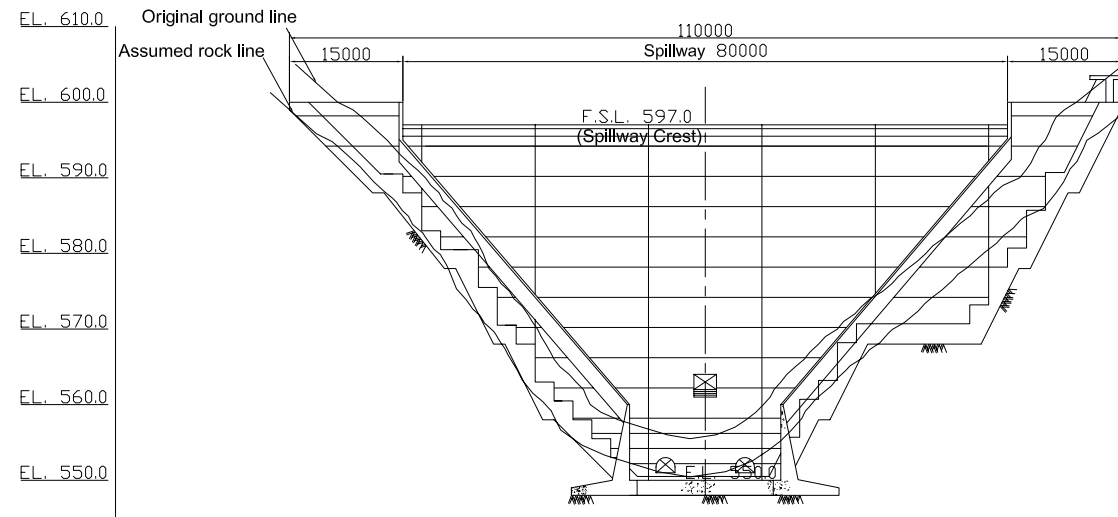
PLAN



PROFILE



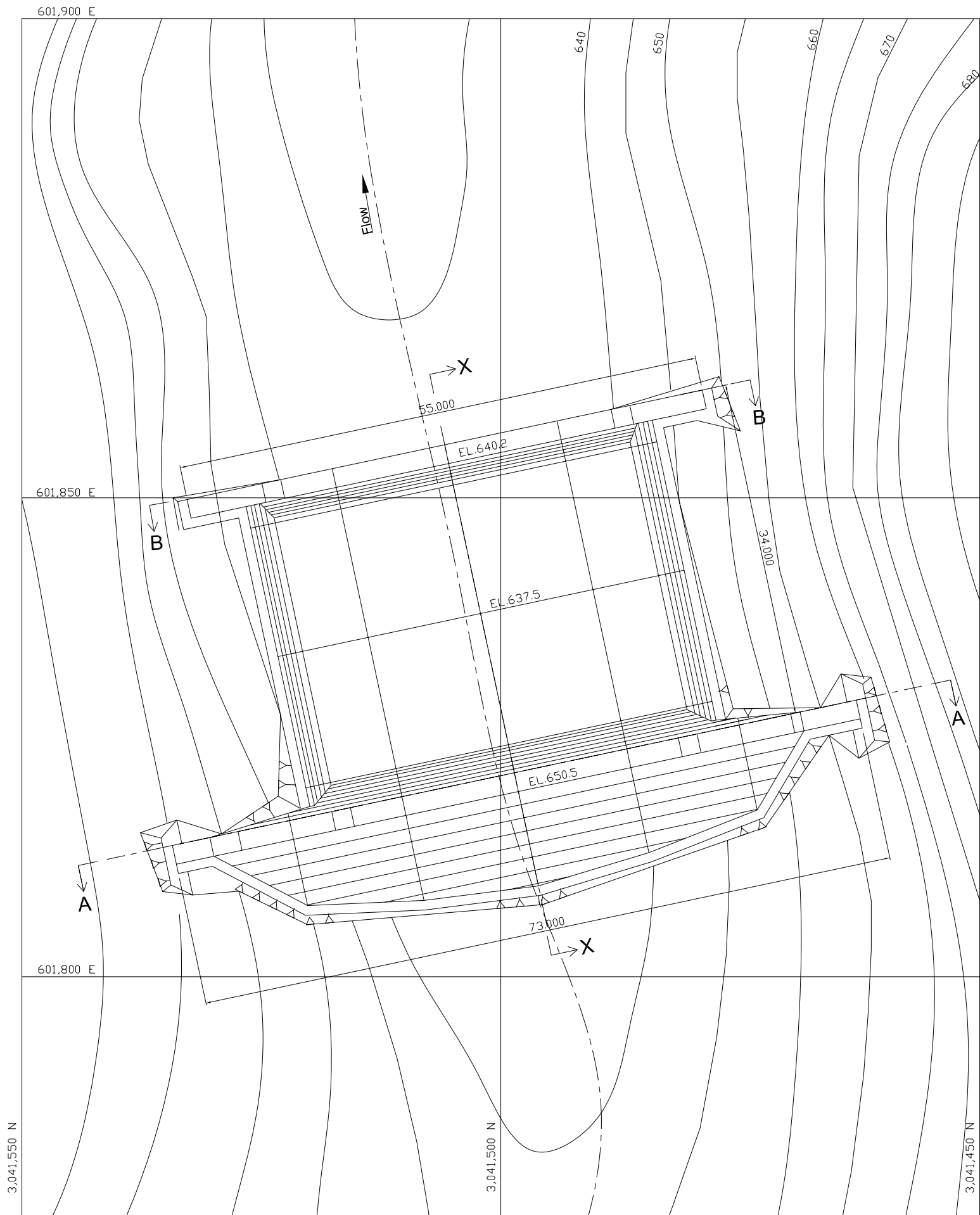
UPSTREAM ELEVATION



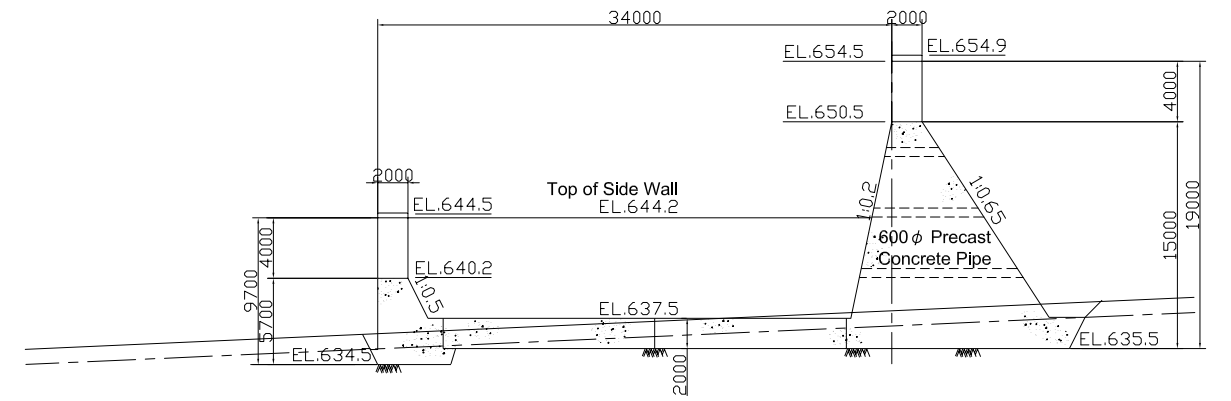
DOWNSTREAM ELEVATION

THE UPGRADING FEASIBILITY STUDY ON THE DEVELOPMENT OF THE KULEKHANI III HYDROPOWER PROJECT IN THE KINGDOM OF NEPAL  
JAPAN INTERNATIONAL COOPERATION AGENCY

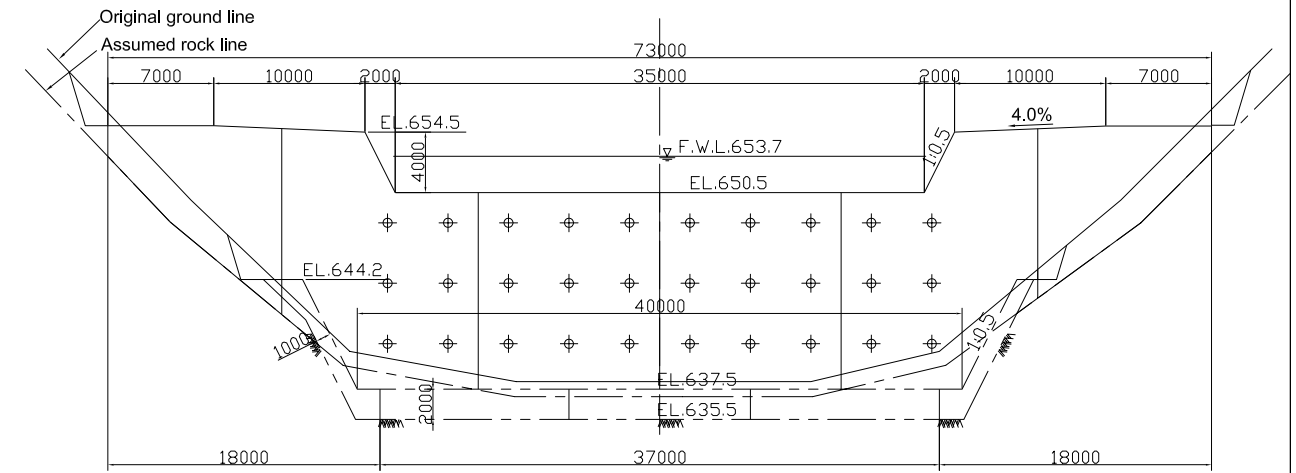
図面5  
調整ダム詳細図



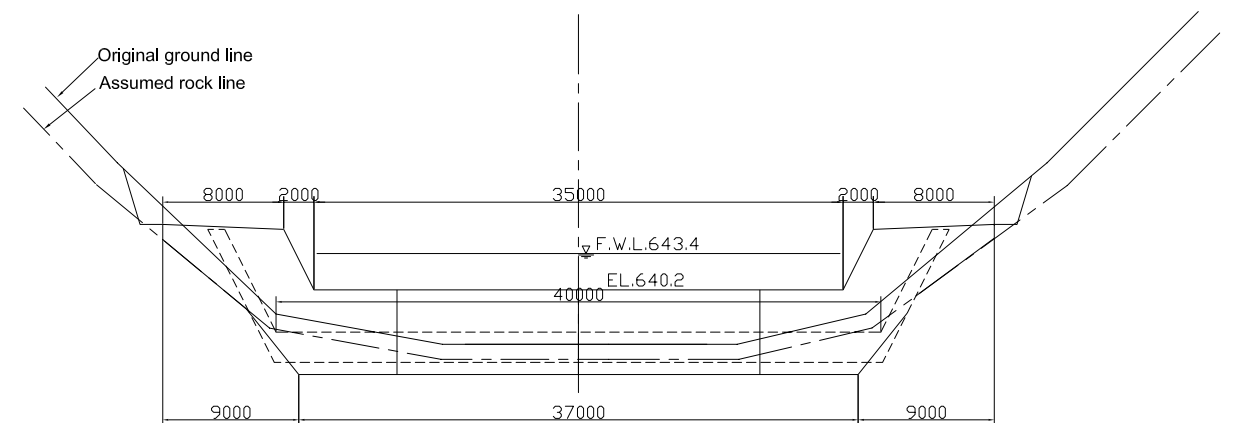
PLAN



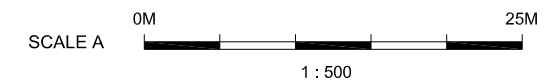
SECTION X-X  
SCALE : 1/500



SECTION A-A  
SCALE : 1/500

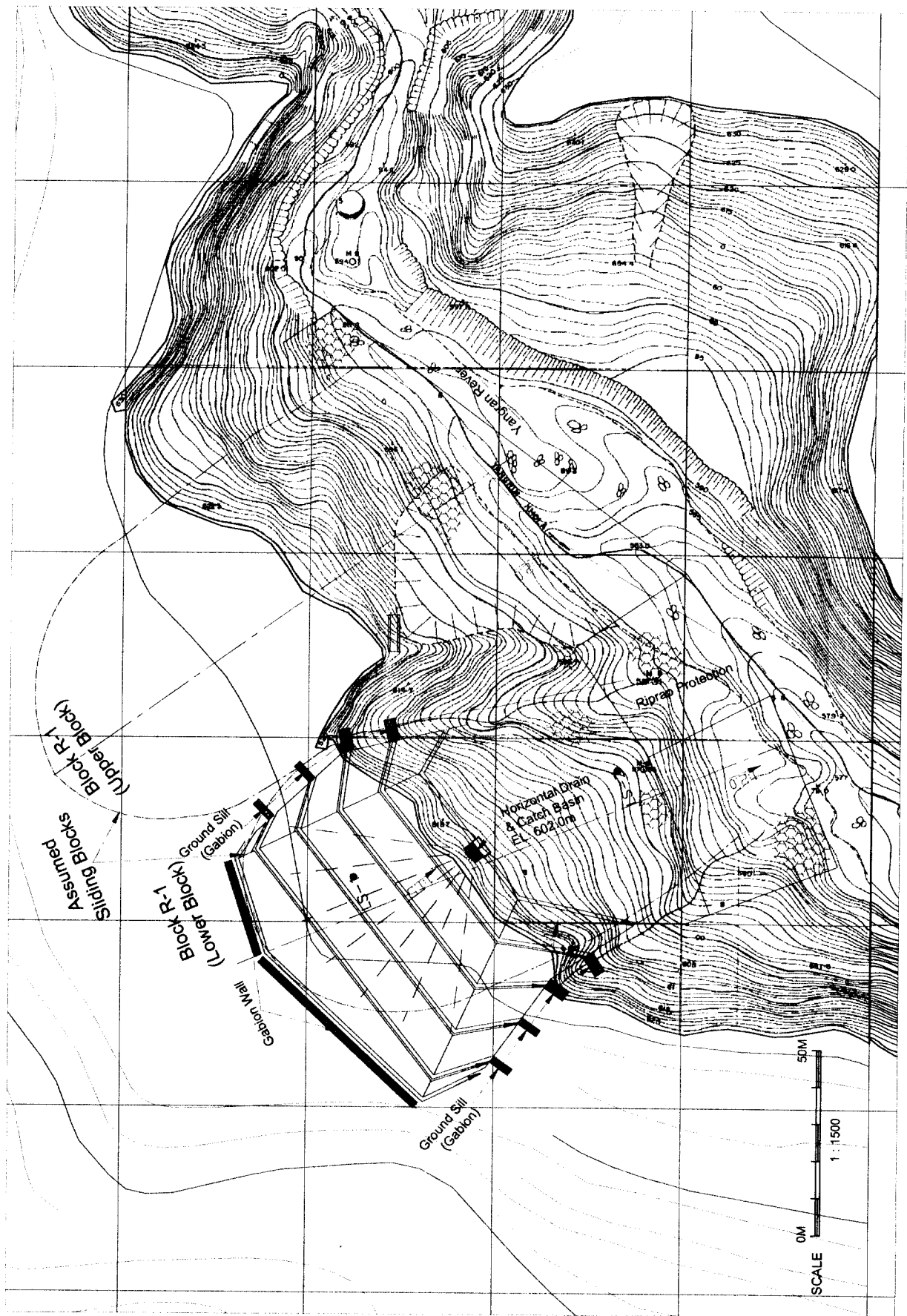


SECTION B-B



THE UPGRADING FEASIBILITY STUDY ON THE DEVELOPMENT  
OF THE KULEKHANI III HYDROPOWER PROJECT  
IN THE KINGDOM OF NEPAL  
JAPAN INTERNATIONAL COOPERATION AGENCY

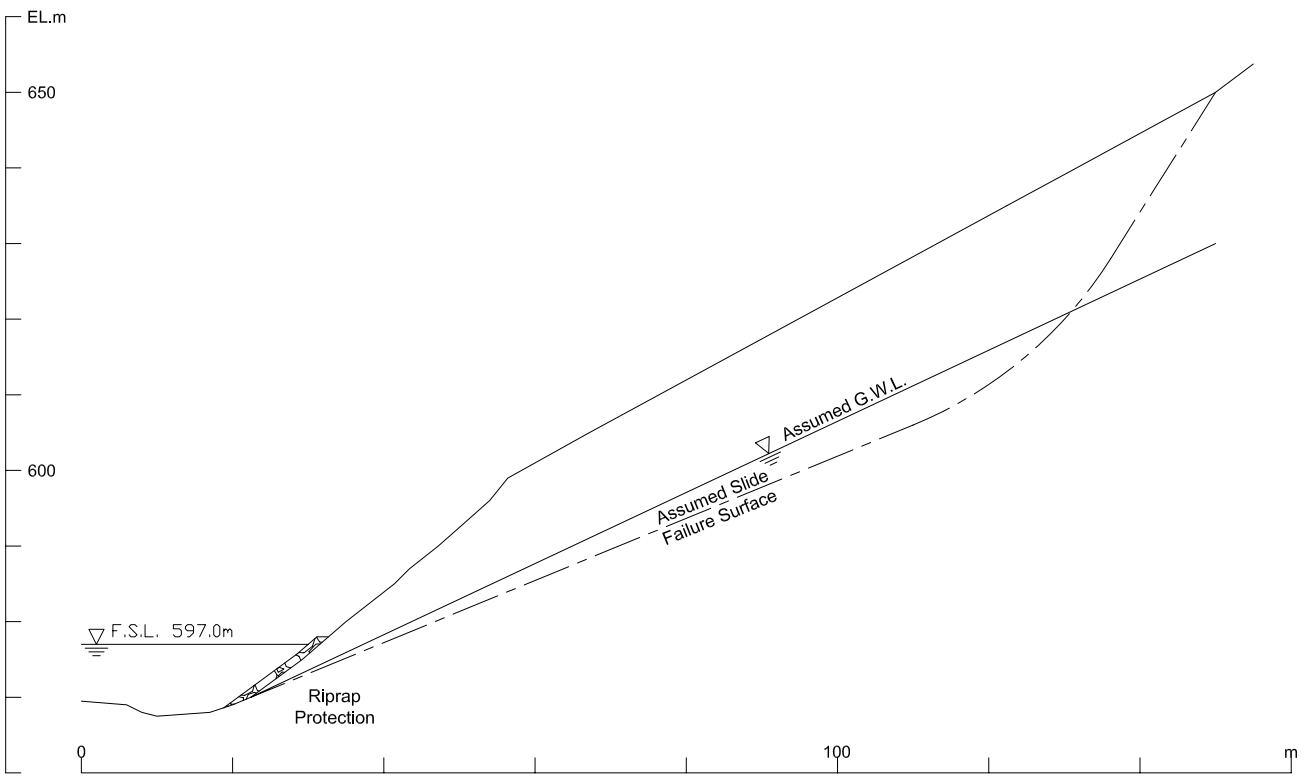
図面6  
第1砂防ダム(貯砂ダム)詳細図



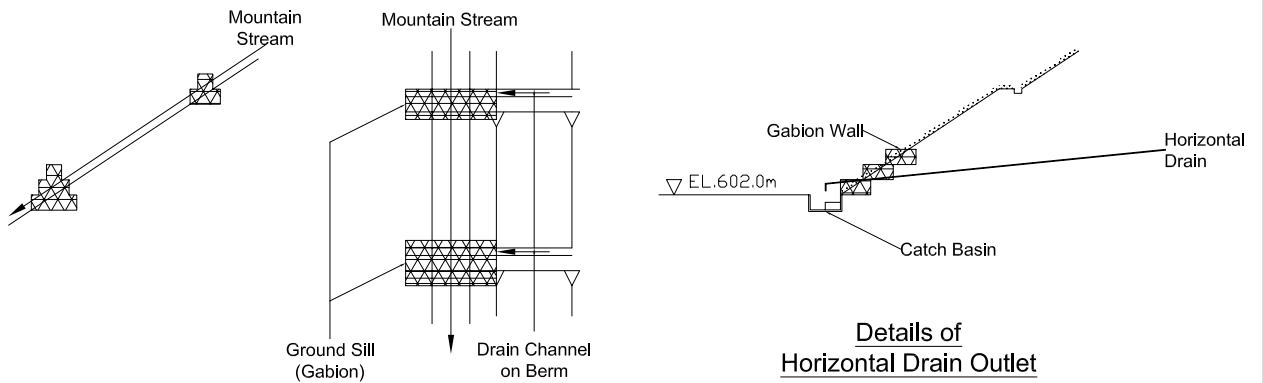
THE UPGRADING FEASIBILITY STUDY ON THE DEVELOPMENT  
 OF THE KULEKHANI III HYDROPOWER PROJECT  
 IN THE KINGDOM OF NEPAL

JAPAN INTERNATIONAL COOPERATION AGENCY

図面7  
 地滑り対策工平面図

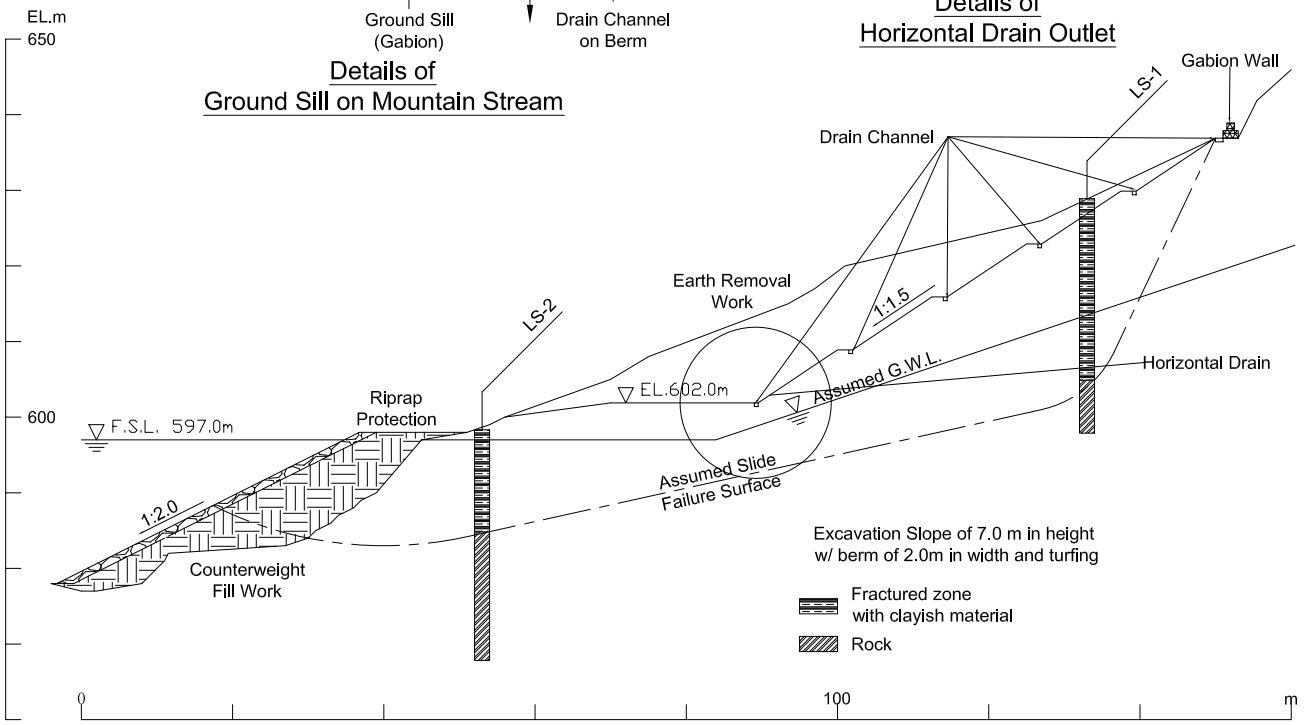


Upper Stream Sliding Block



Details of Ground Sill on Mountain Stream

Details of Horizontal Drain Outlet



Lower Stream Sliding Block

