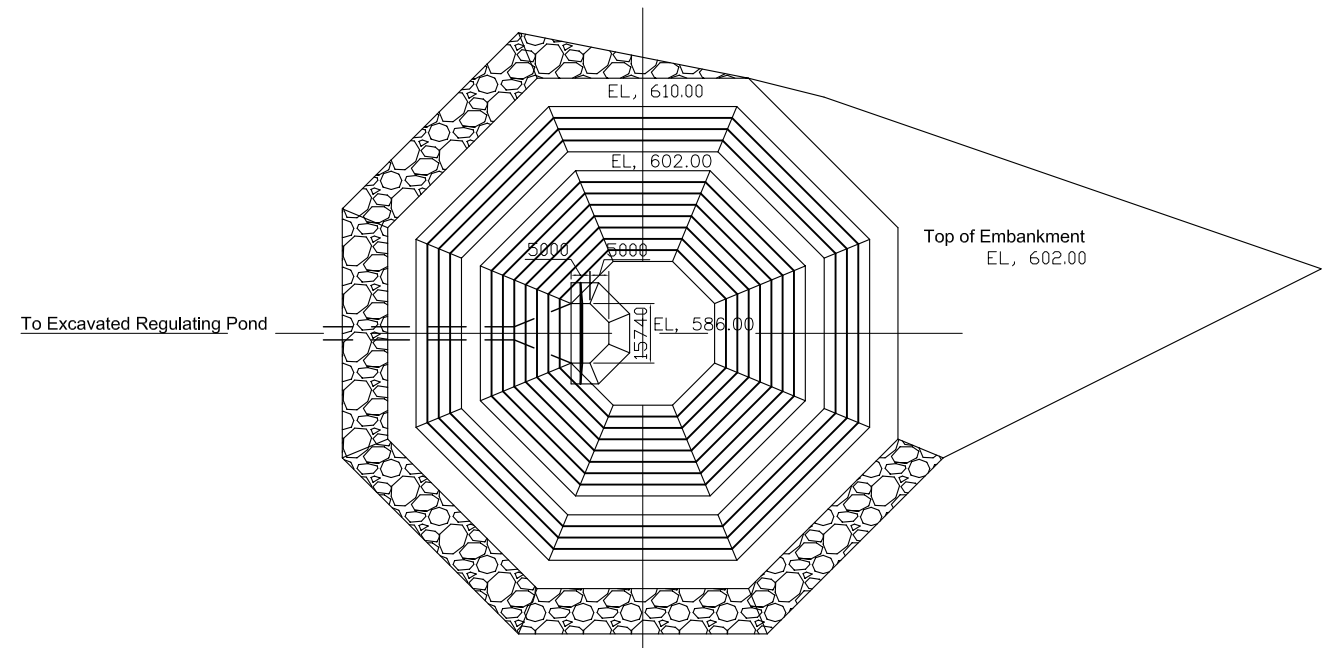
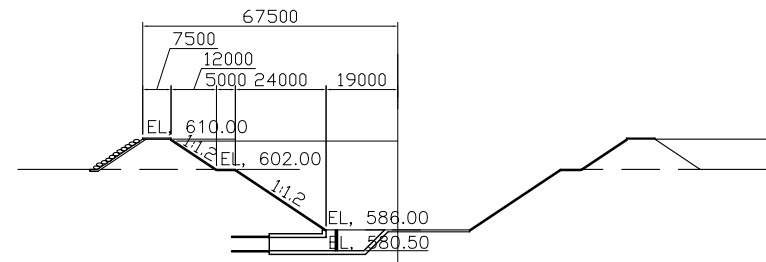


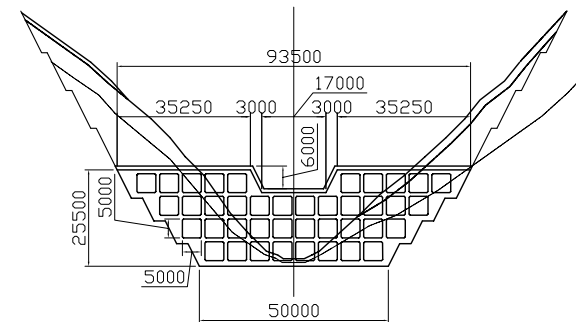
EXCAVATED REGULATING POND
PLAN



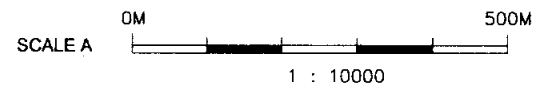
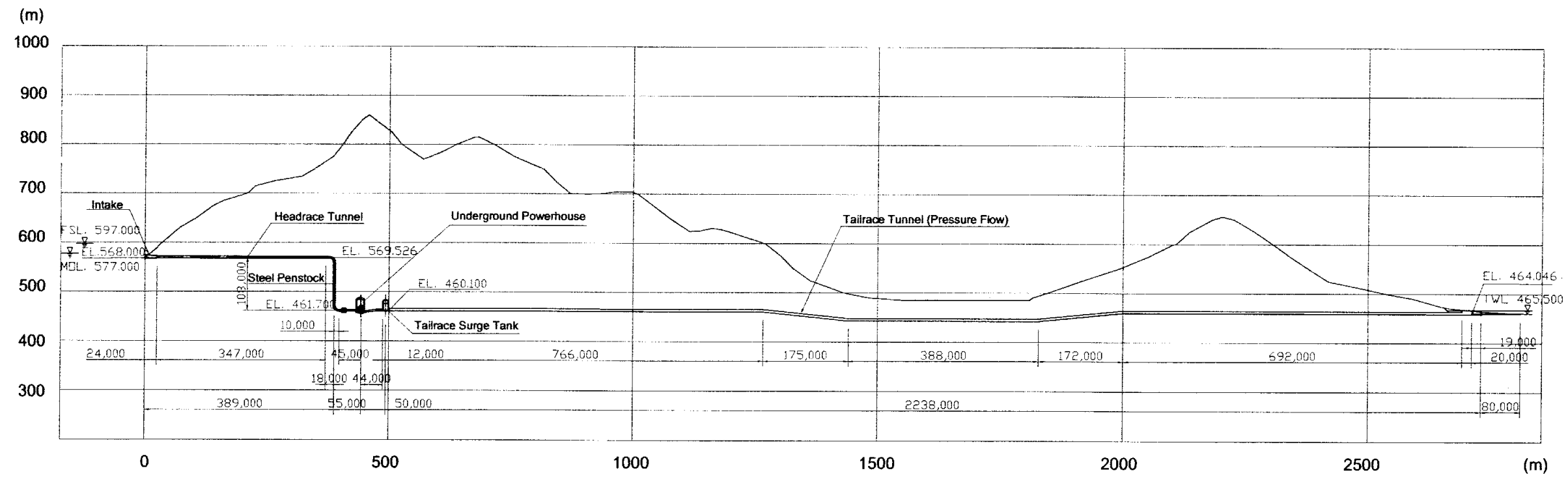
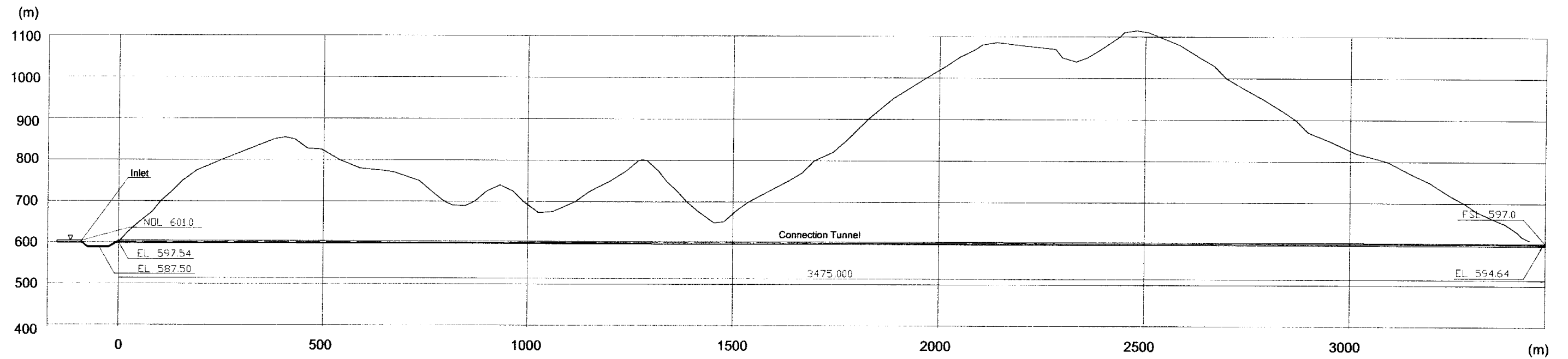
EXCAVATED HEAD POND
PLAN



EXCAVATED HEAD POND
PROFILE

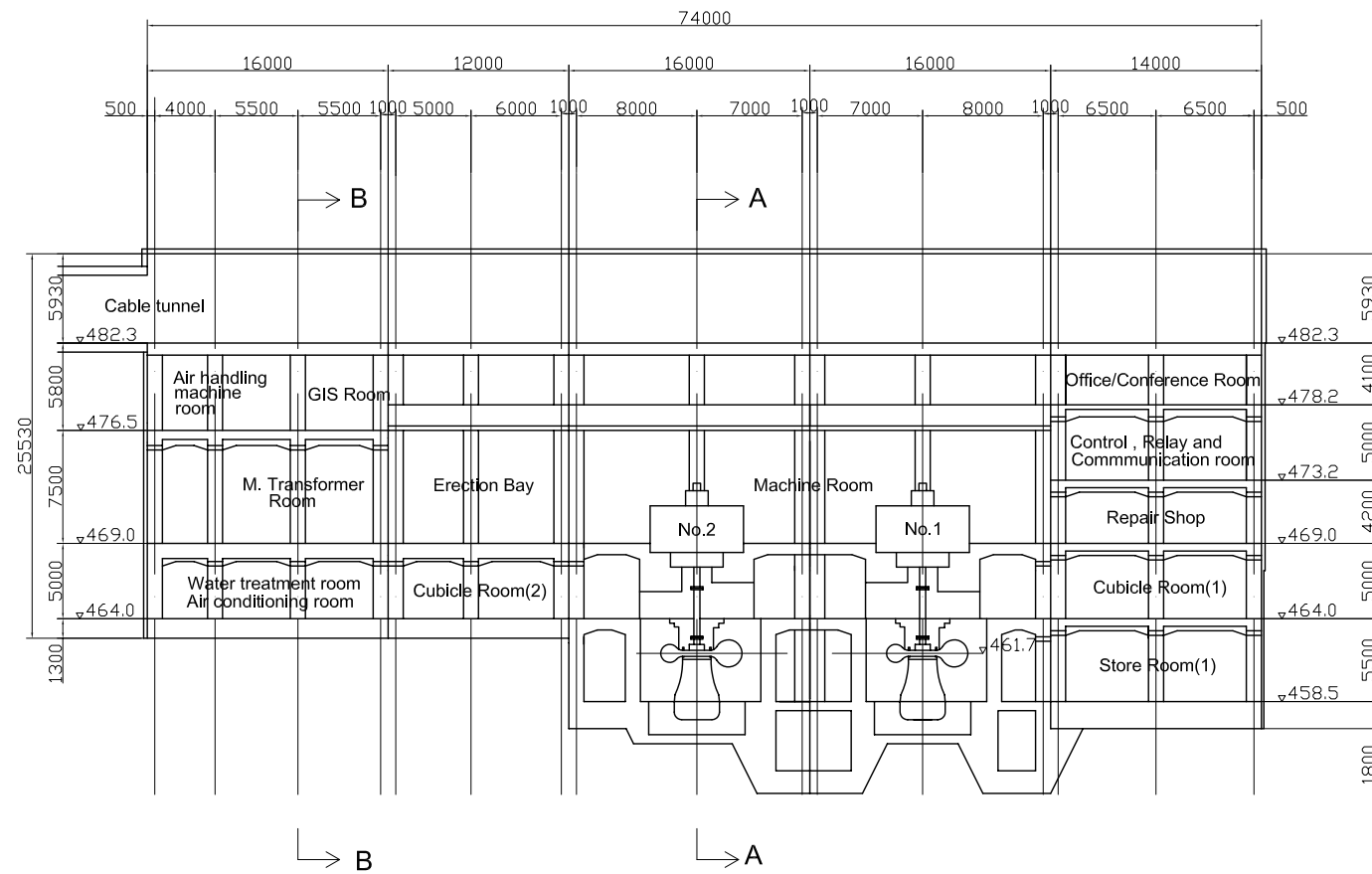


EXCAVATED REGULATING POND
TYPICAL SECTION

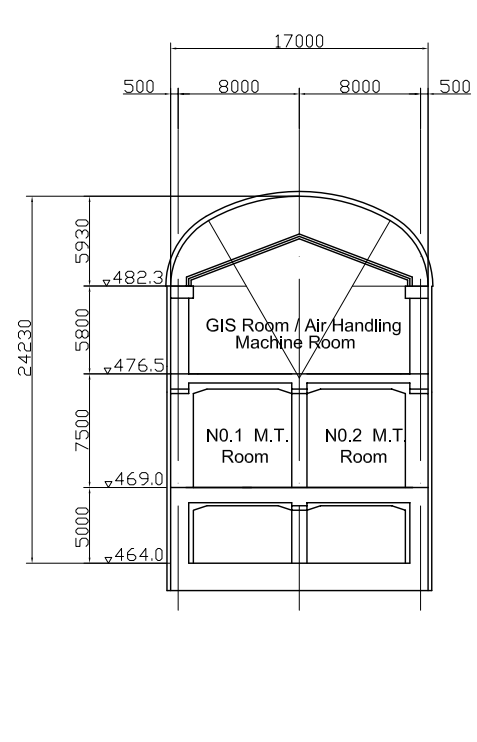


THE UPGRADING FEASIBILITY STUDY ON THE DEVELOPMENT
 OF THE KULEKHANI III HYDROPOWER PROJECT
 IN THE KINGDOM OF NEPAL
 JAPAN INTERNATIONAL COOPERATION AGENCY

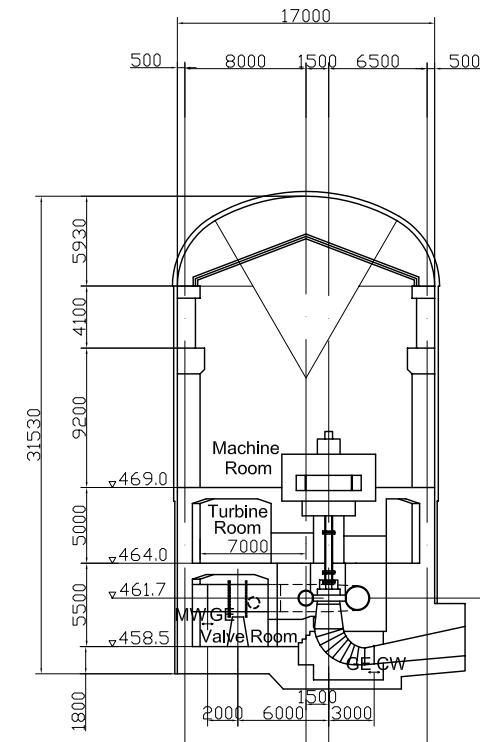
図6.3.11
 地下発電所+圧力トンネル放水路案
 (代替案A)縦断図



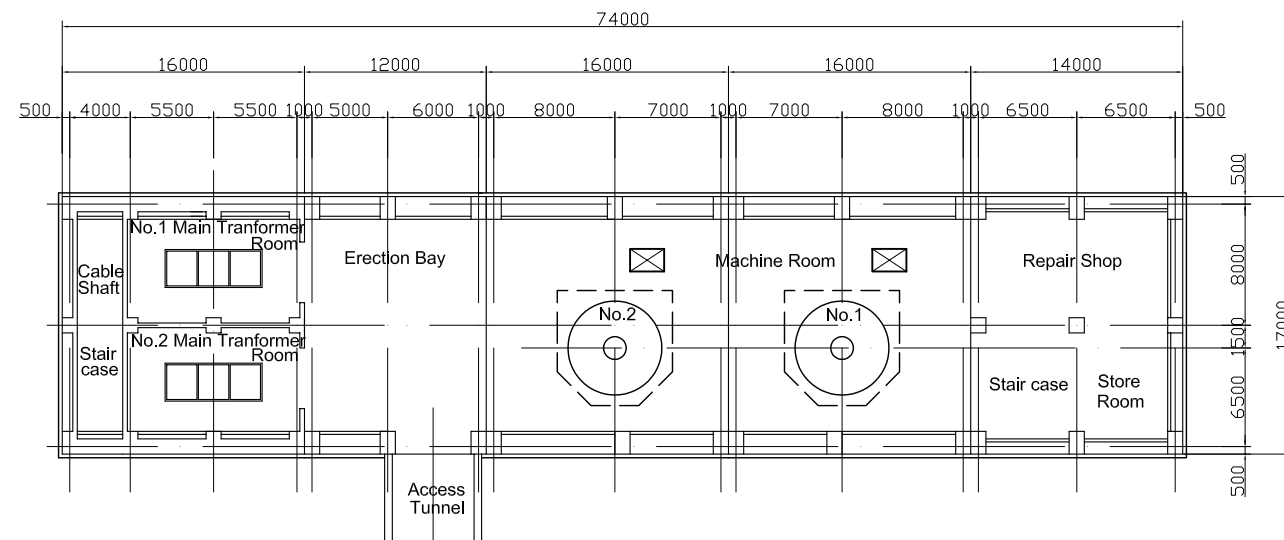
LONGITUDINAL SECTION



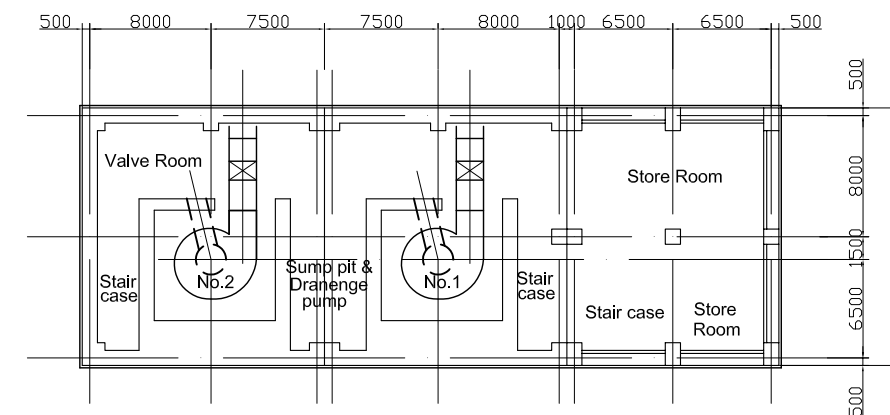
SECTION B-B



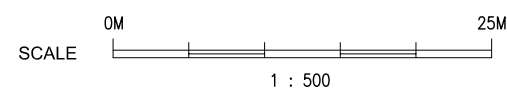
SECTION A-A



PLAN (EL.469.0)

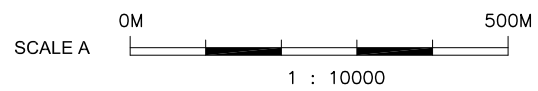
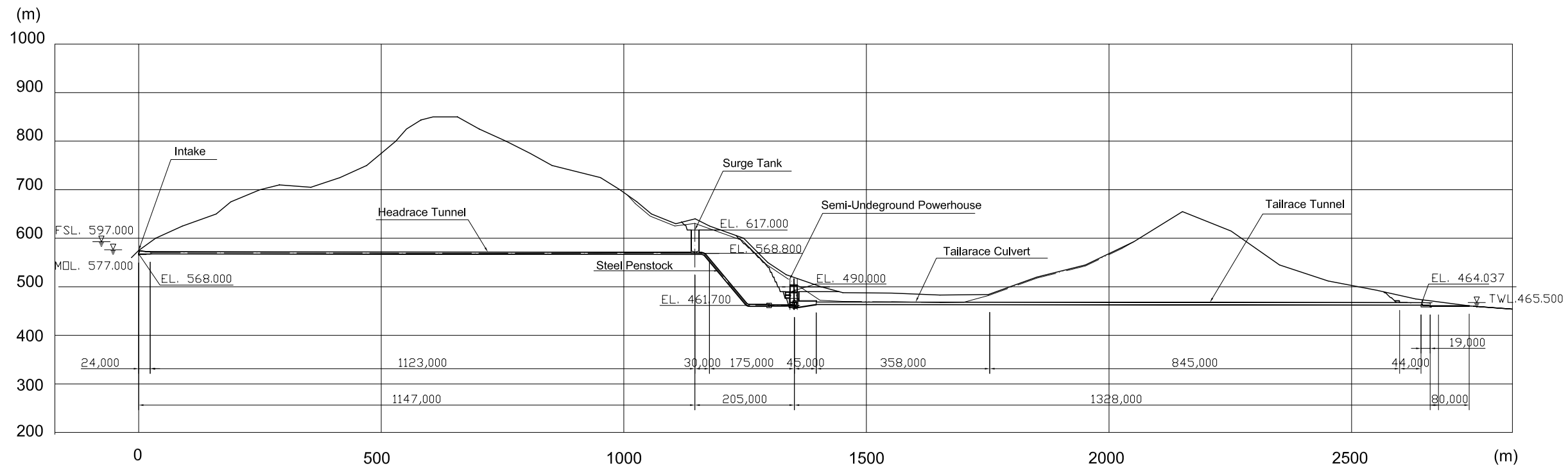
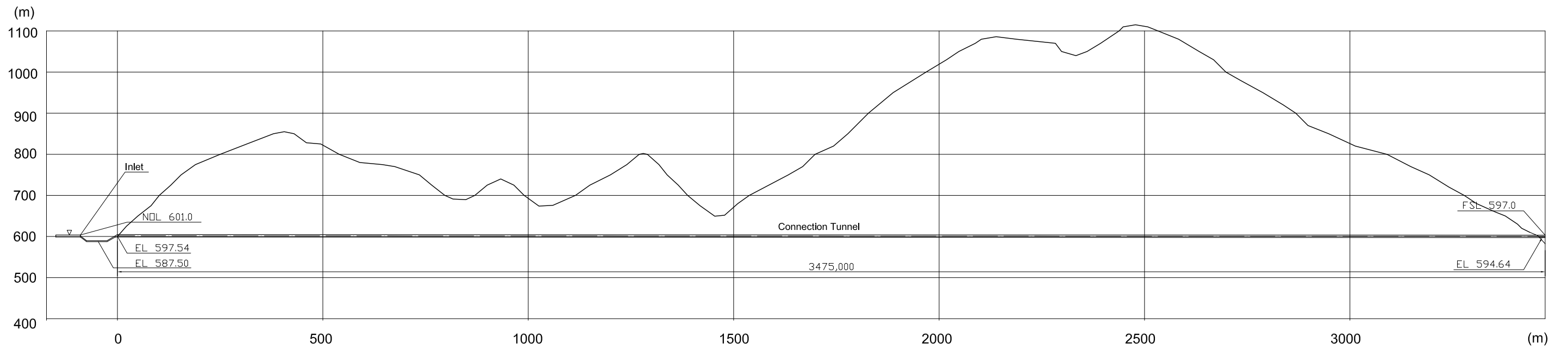


PLAN (EL.458.5)



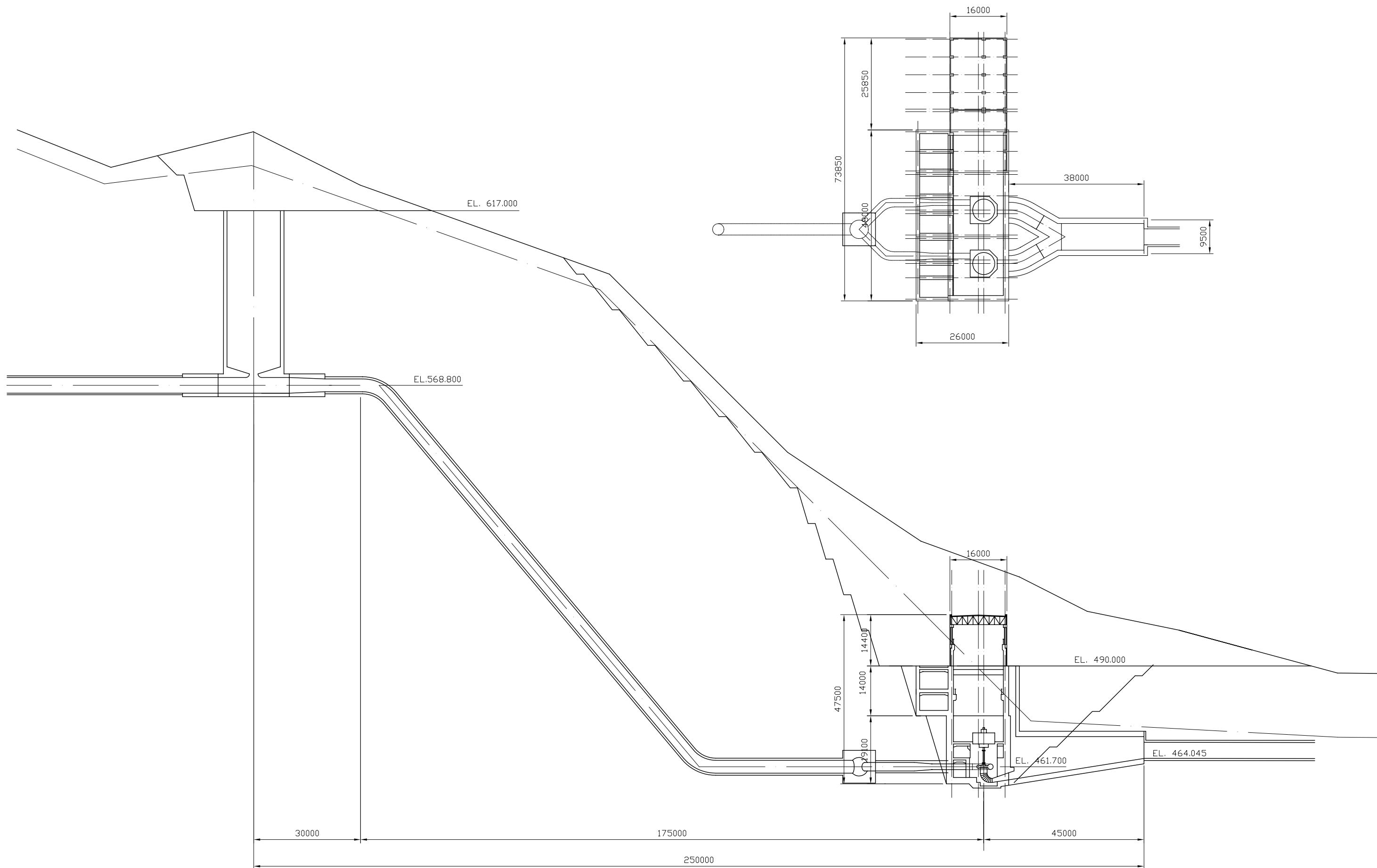
THE UPGRADING FEASIBILITY STUDY ON THE DEVELOPMENT
OF THE KULEKHANI III HYDROPOWER PROJECT
IN THE KINGDOM OF NEPAL
JAPAN INTERNATIONAL COOPERATION AGENCY

図6. 3. 12
地下発電所(代替案A)詳細図



THE UPGRADING FEASIBILITY STUDY ON THE DEVELOPMENT
 OF THE KULEKHANI III HYDROPOWER PROJECT
 IN THE KINGDOM OF NEPAL
 JAPAN INTERNATIONAL COOPERATION AGENCY

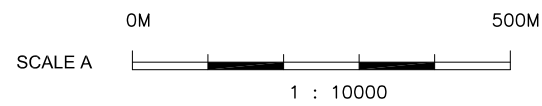
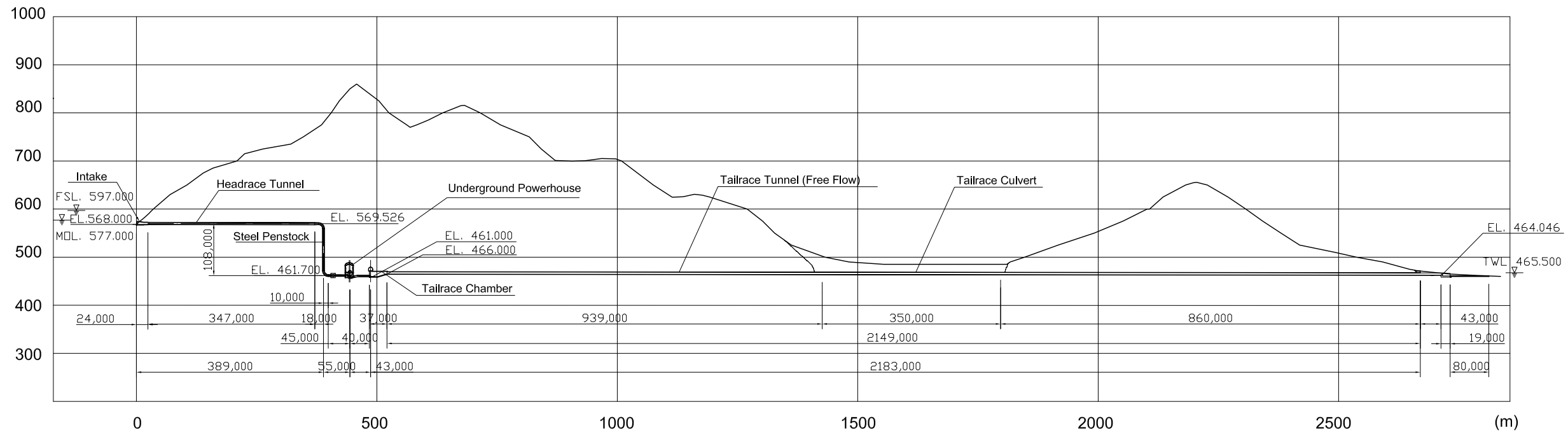
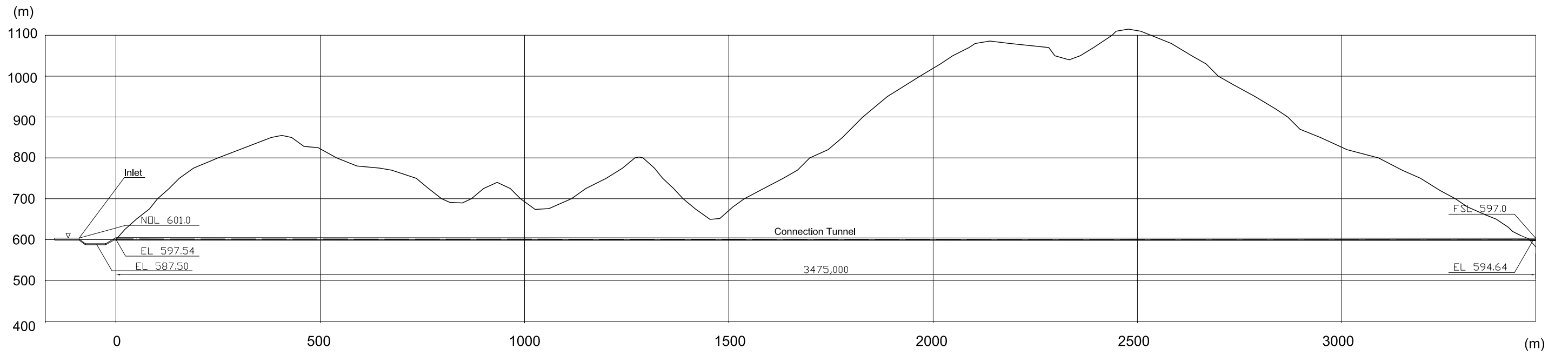
図6. 3. 13
 半地下発電所+カルバート放水路案
 (代替案A-1) 縦断面図



SCALE A
 0M 50M
 1 : 1000

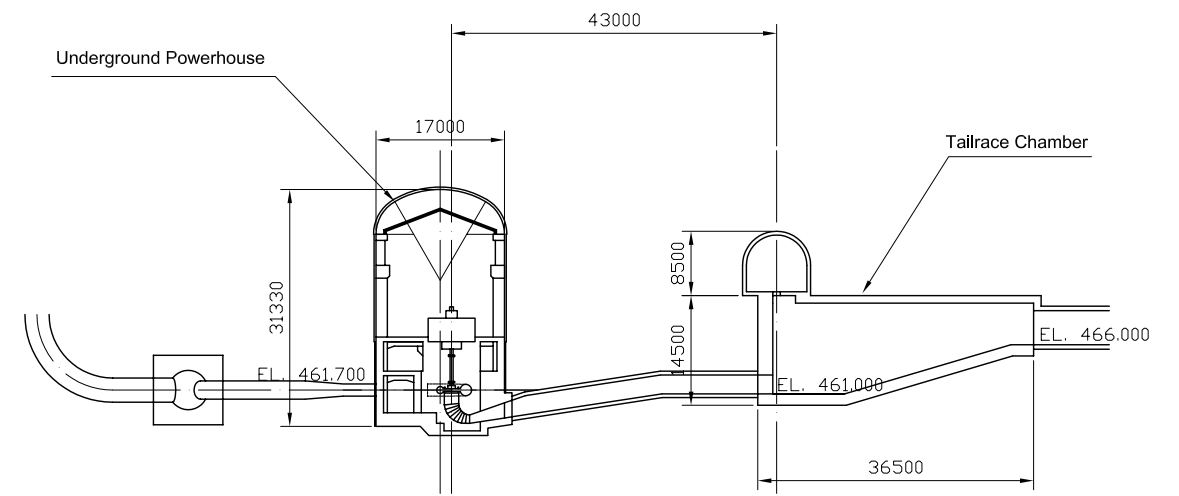
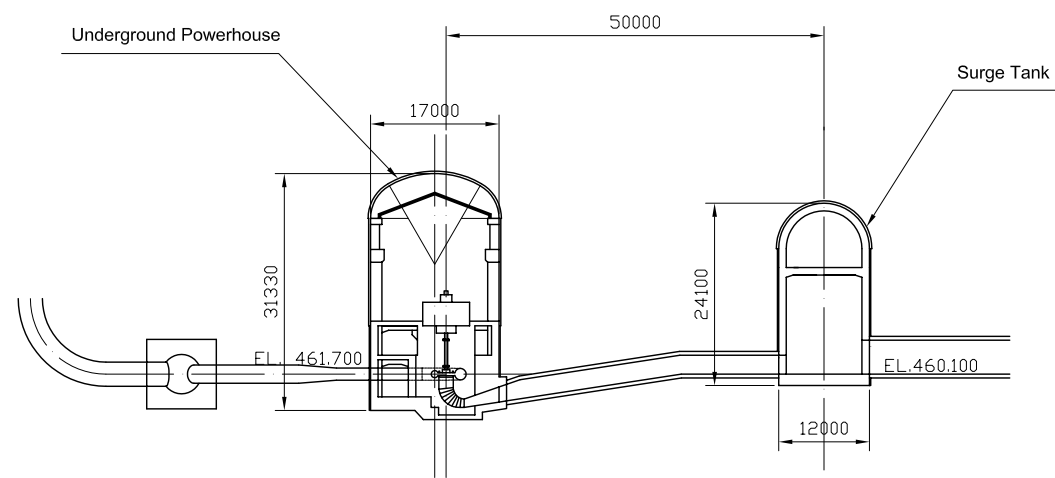
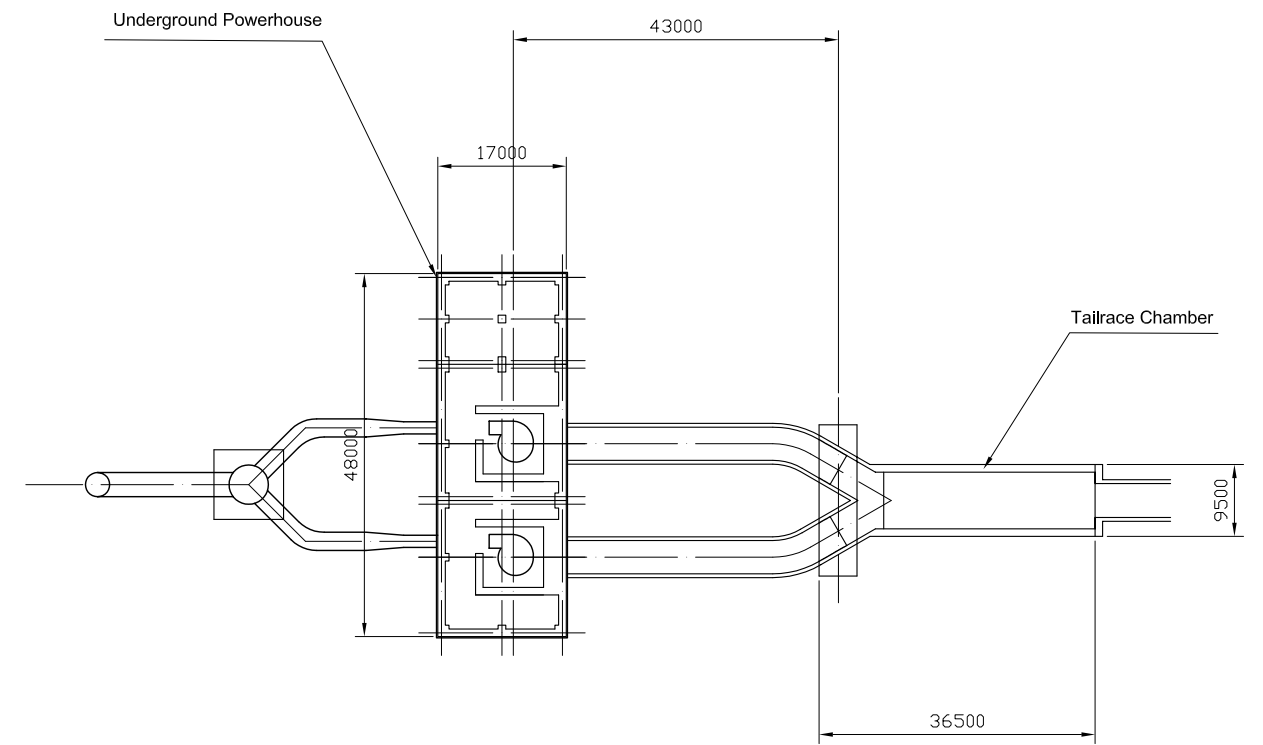
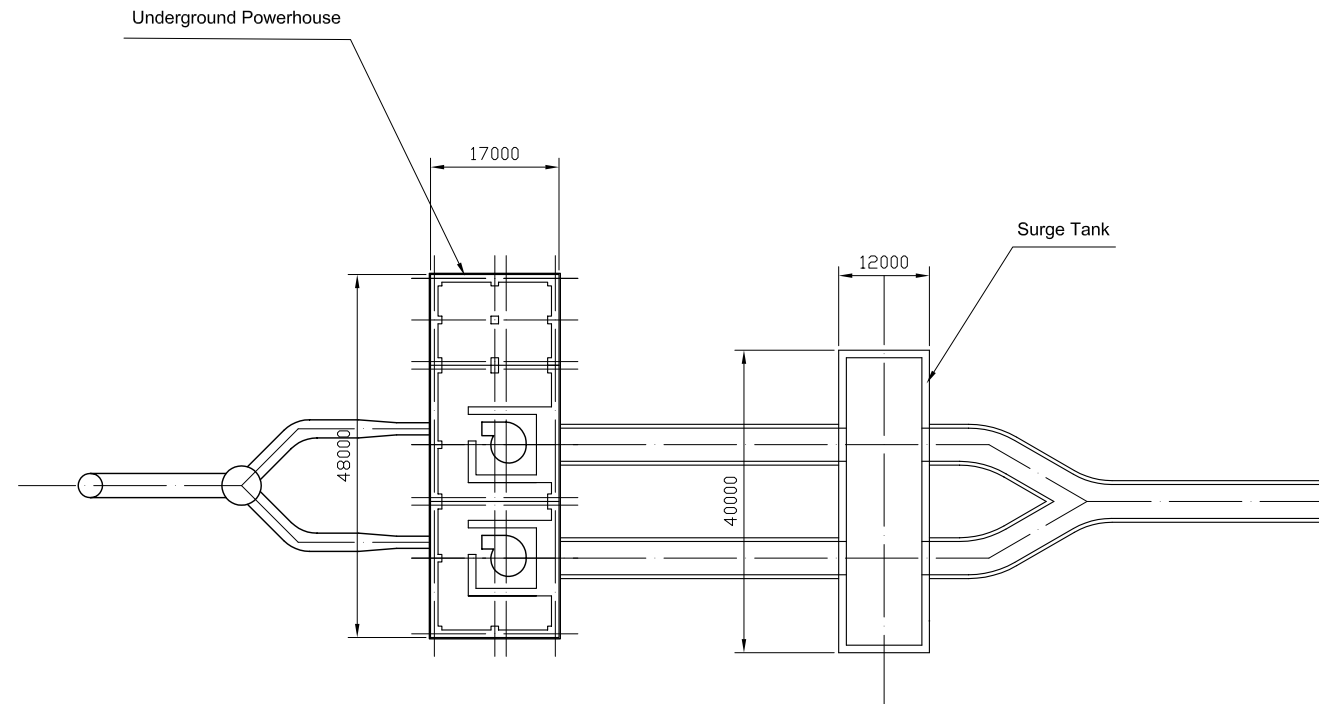
THE UPGRADING FEASIBILITY STUDY ON THE DEVELOPMENT
 OF THE KULEKHANI III HYDROPOWER PROJECT
 IN THE KINGDOM OF NEPAL
 JAPAN INTERNATIONAL COOPERATION AGENCY

図6. 3. 14
 半地下発電所(代替案A-1)詳細図



THE UPGRADING FEASIBILITY STUDY ON THE DEVELOPMENT
OF THE KULEKHANI III HYDROPOWER PROJECT
IN THE KINGDOM OF NEPAL
JAPAN INTERNATIONAL COOPERATION AGENCY

図6.3.15
地下発電所+カルバート放水路案
(代替案A-2)縦断面図



Pressure Tunnel Plan
(Alternative A)

Free Flow Tunnel + Culvert Tailrace Plan
(Alternative A-2)



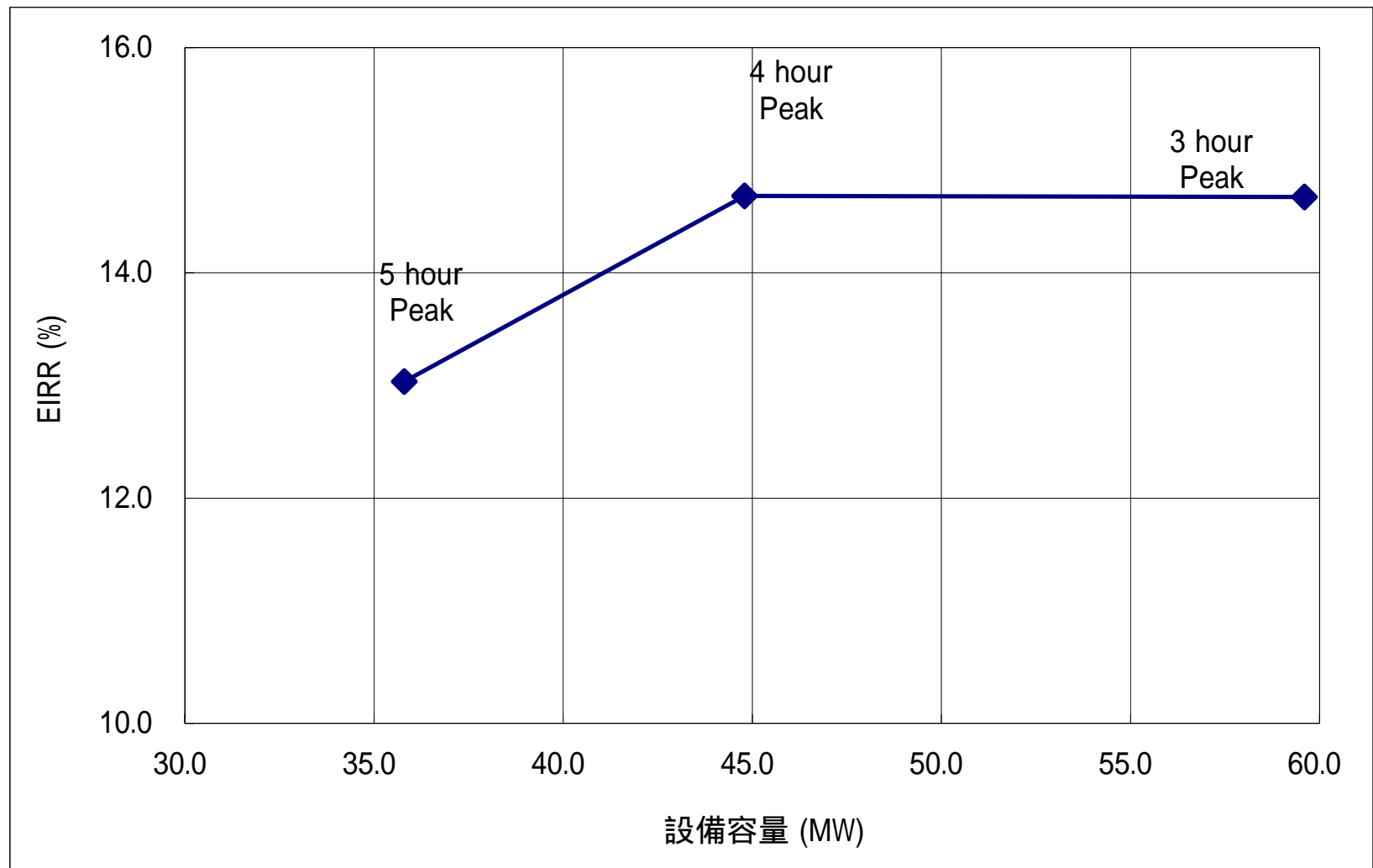


図6.3.17 開発規模の比較