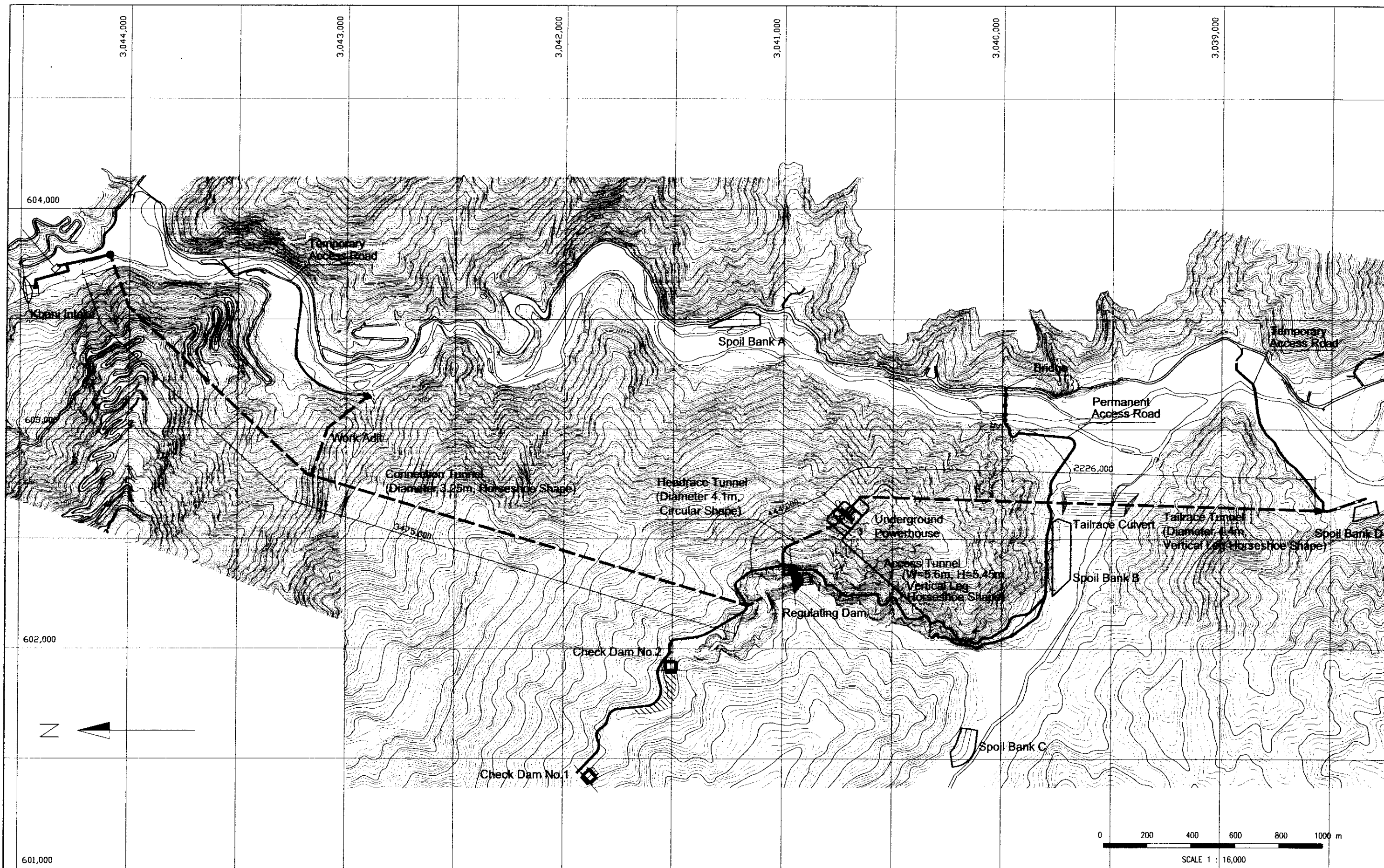
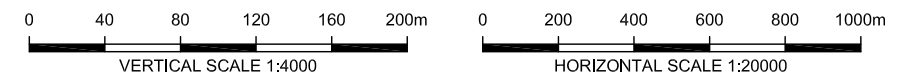
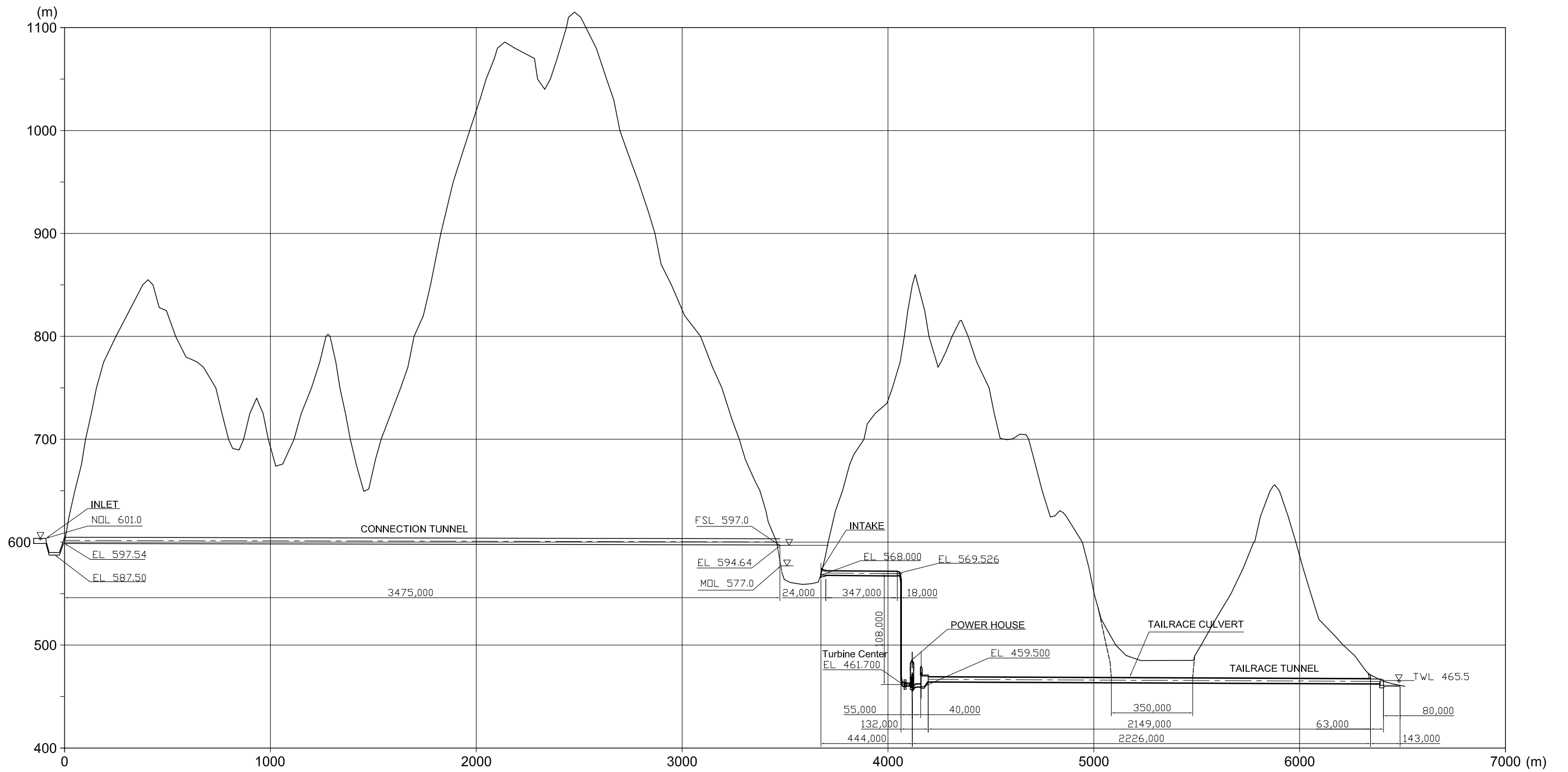


凶面



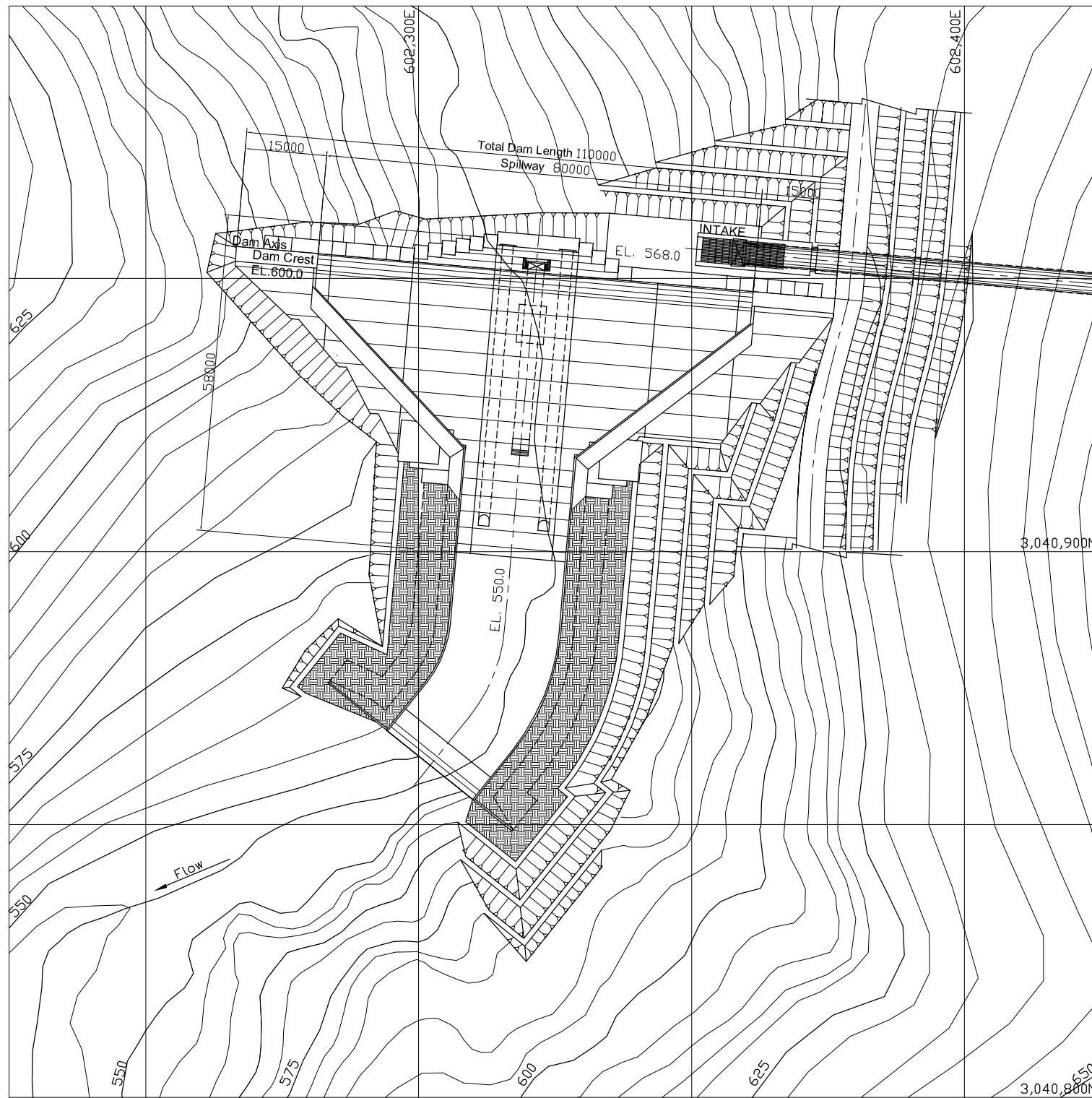
THE UPGRADING FEASIBILITY STUDY ON THE DEVELOPMENT  
 OF THE KULEKHANI III HYDROPOWER PROJECT  
 IN THE KINGDOM OF NEPAL  
 JAPAN INTERNATIONAL COOPERATION AGENCY

図面 S. 1  
 プロジェクト平面図

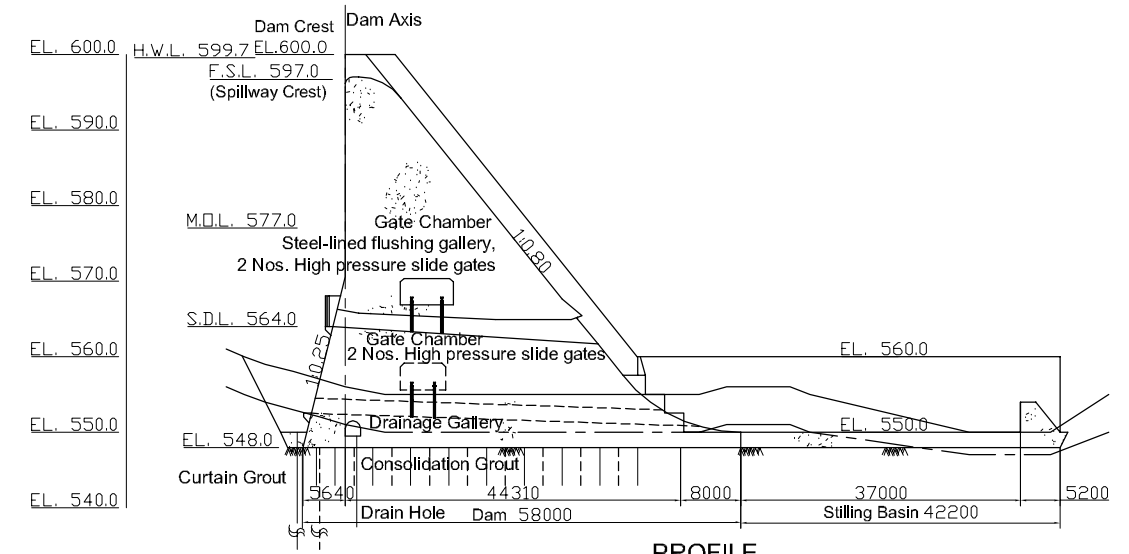
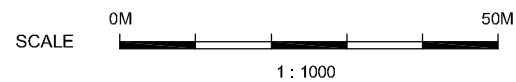


THE UPGRADING FEASIBILITY STUDY ON THE DEVELOPMENT  
 OF THE KULEKHANI III HYDROPOWER PROJECT  
 IN THE KINGDOM OF NEPAL  
 JAPAN INTERNATIONAL COOPERATION AGENCY

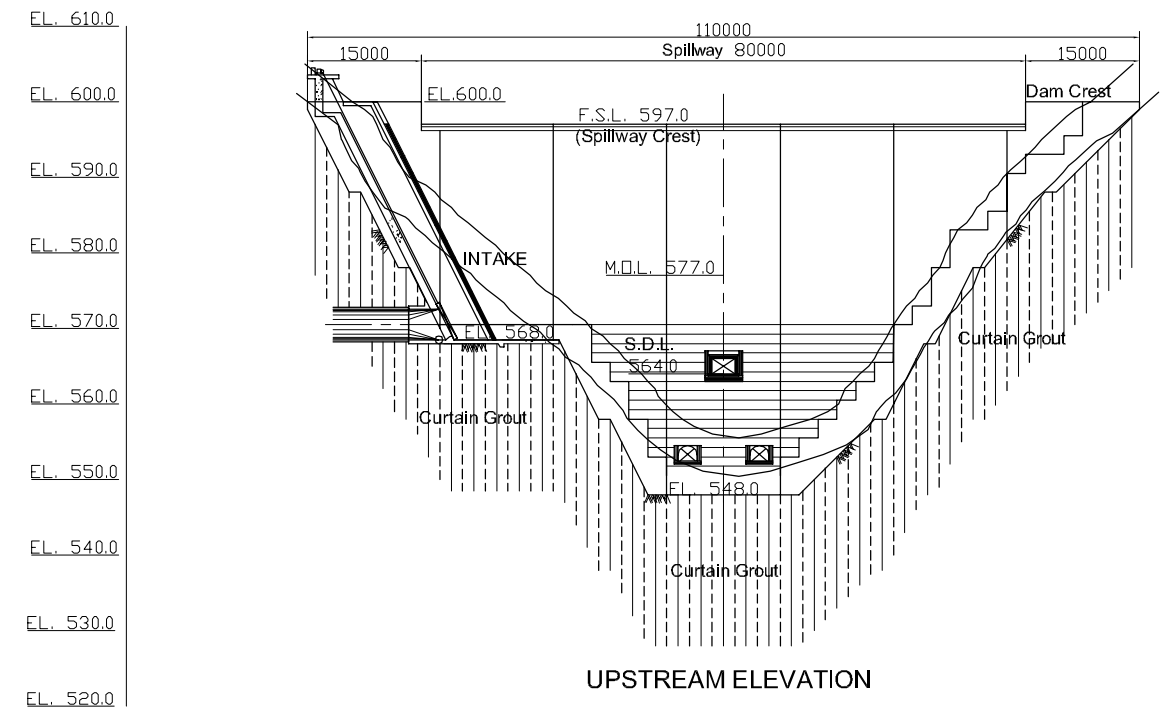
図面 S. 2  
 プロジェクト縦断面図



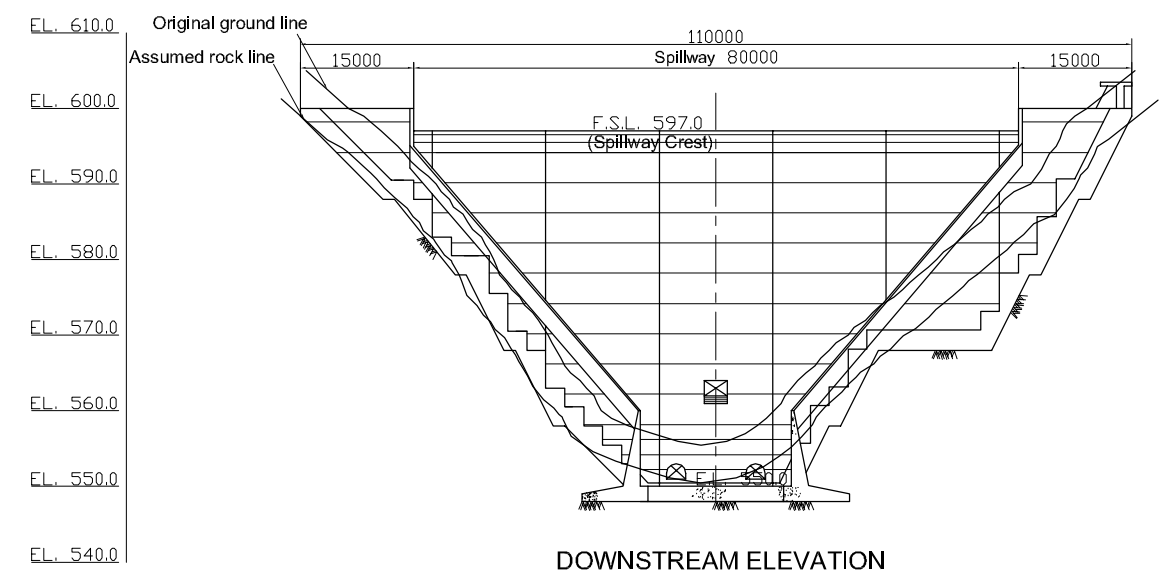
PLAN



PROFILE



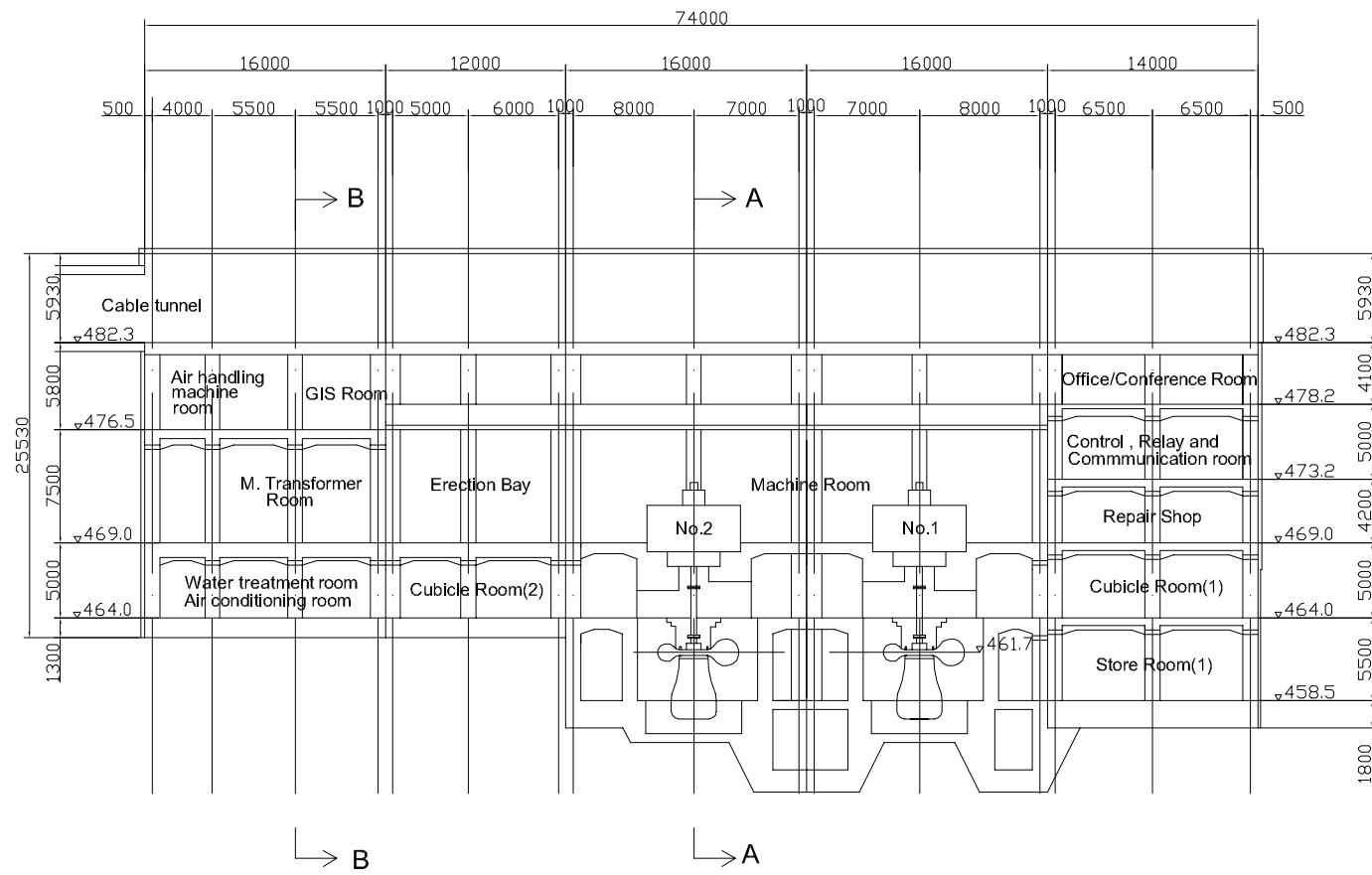
UPSTREAM ELEVATION



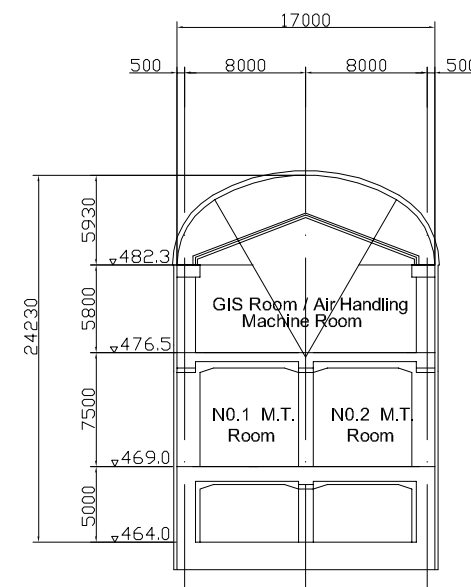
DOWNSTREAM ELEVATION

THE UPGRADING FEASIBILITY STUDY ON THE DEVELOPMENT  
OF THE KULEKHANI III HYDROPOWER PROJECT  
IN THE KINGDOM OF NEPAL  
JAPAN INTERNATIONAL COOPERATION AGENCY

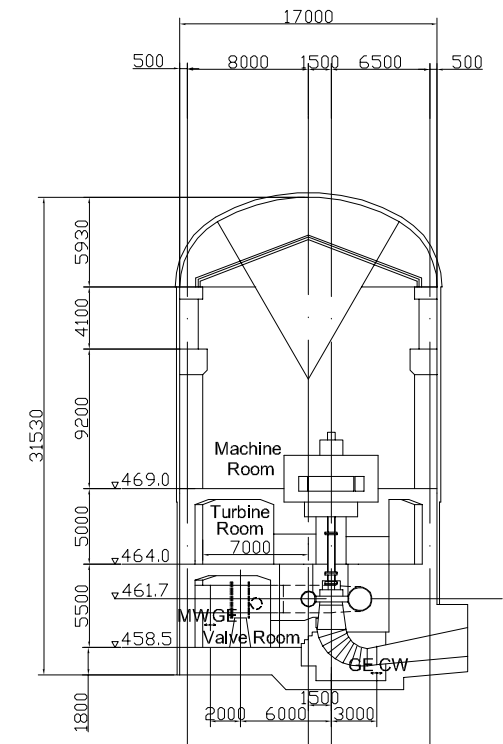
図面 S.3  
調整ダム詳細図



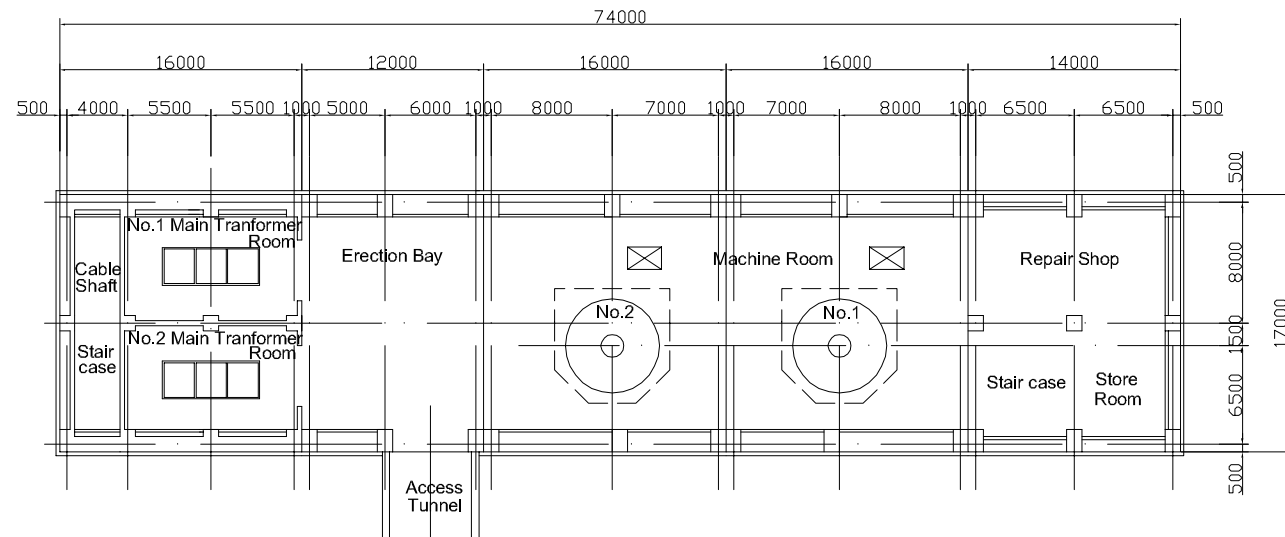
LONGITUDINAL SECTION



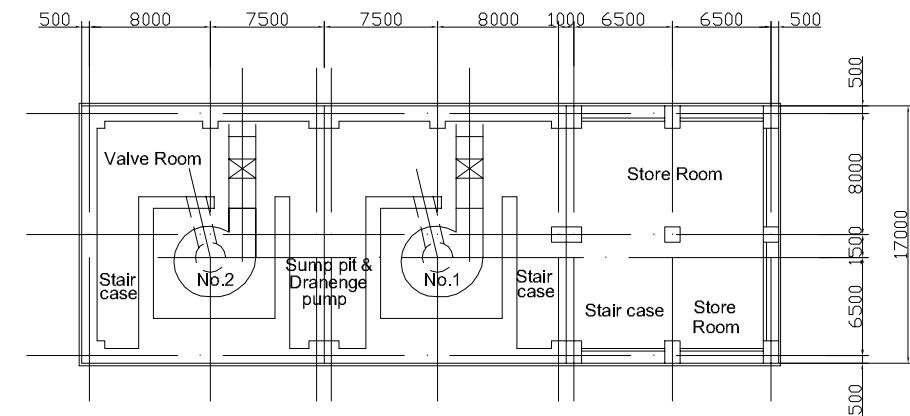
SECTION B-B



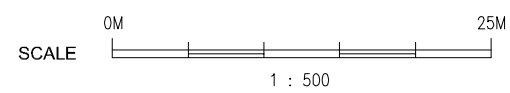
SECTION A-A



PLAN (EL.469.0)

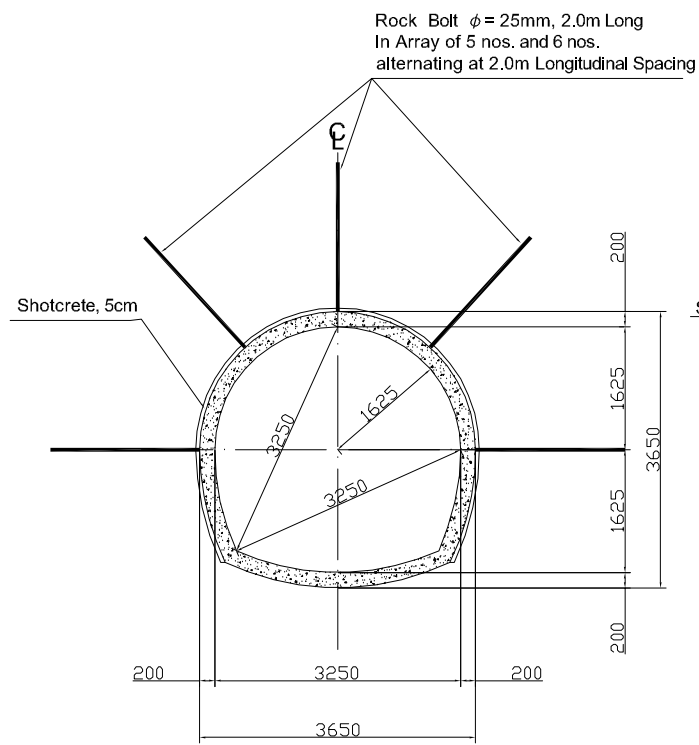
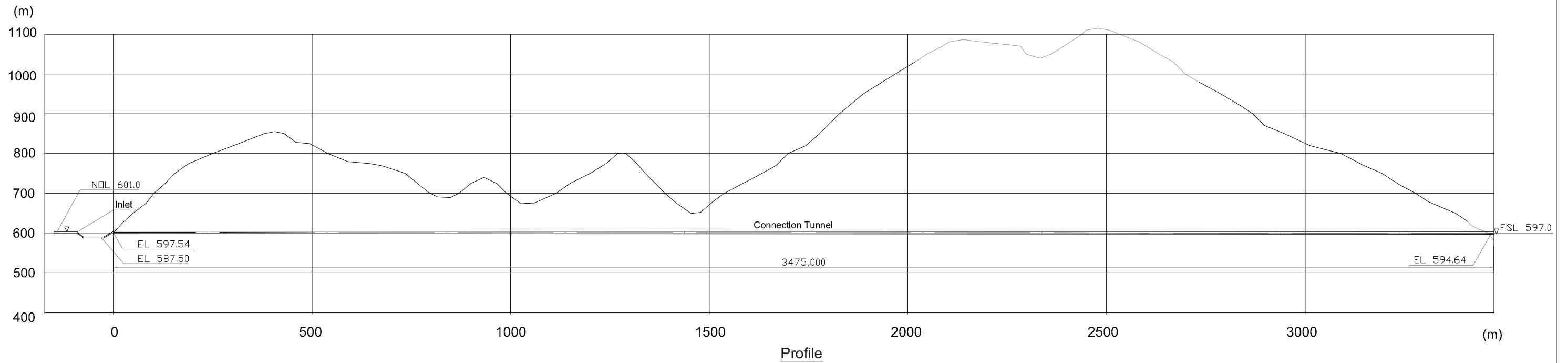


PLAN (EL.458.5)

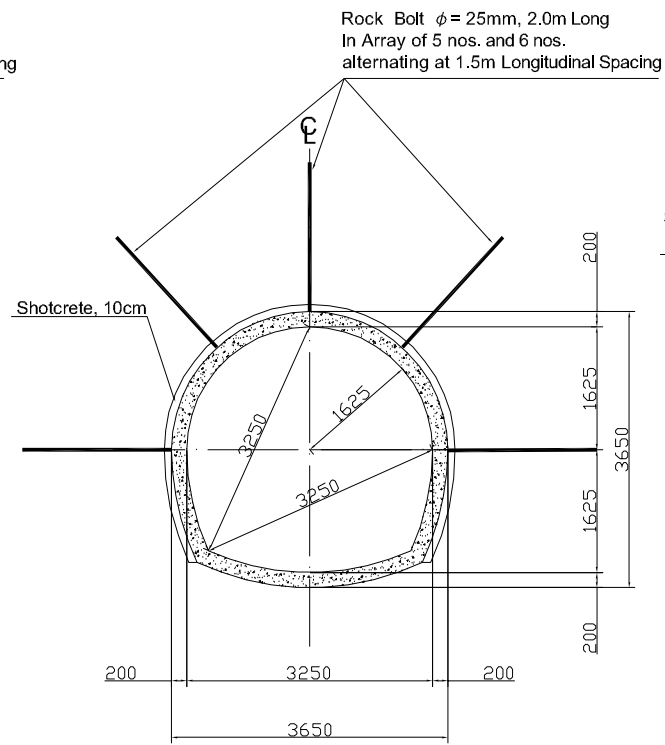


THE UPGRADING FEASIBILITY STUDY ON THE DEVELOPMENT  
OF THE KULEKHANI III HYDROPOWER PROJECT  
IN THE KINGDOM OF NEPAL  
JAPAN INTERNATIONAL COOPERATION AGENCY

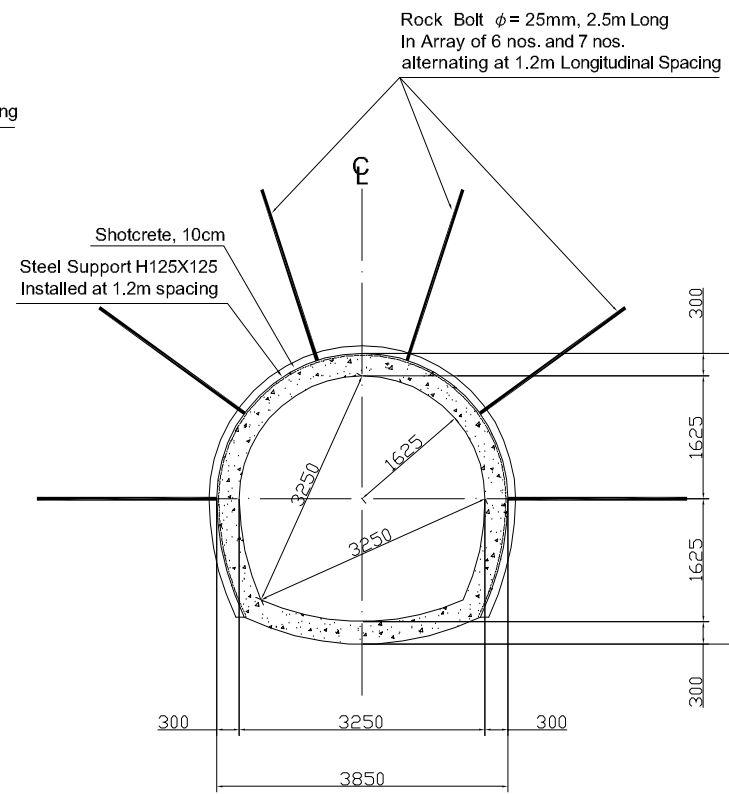
図面 S.4  
地下発電所詳細図



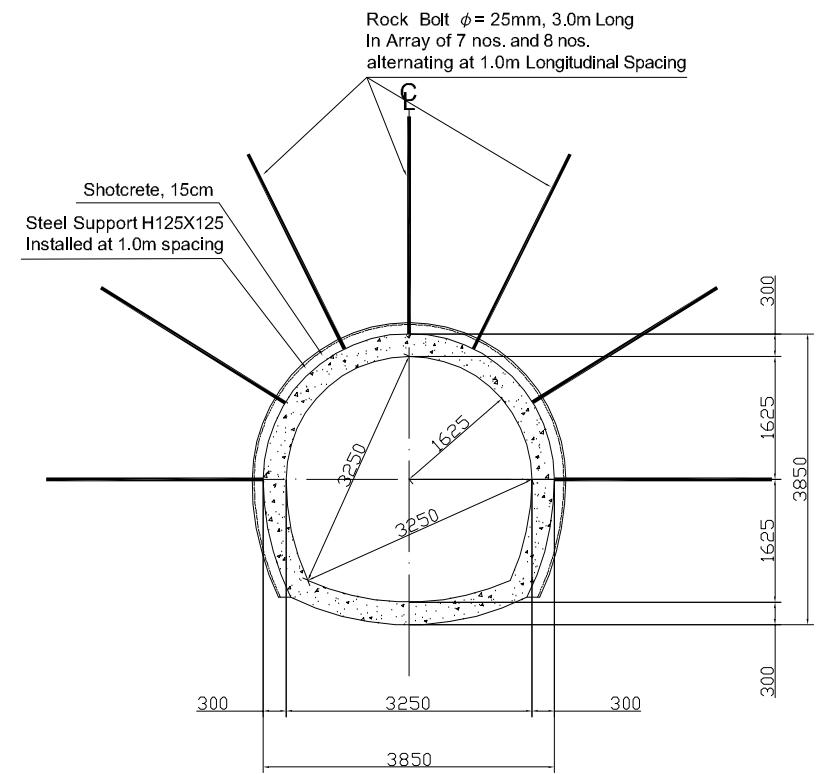
Section of Connection Tunnel  
(For Good Rock Grade, Q2)



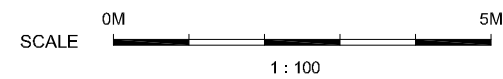
Section of Connection Tunnel  
(For Fair Rock Grade, Q3)



Section of Connection Tunnel  
(For Poor Rock Grade, Q4)

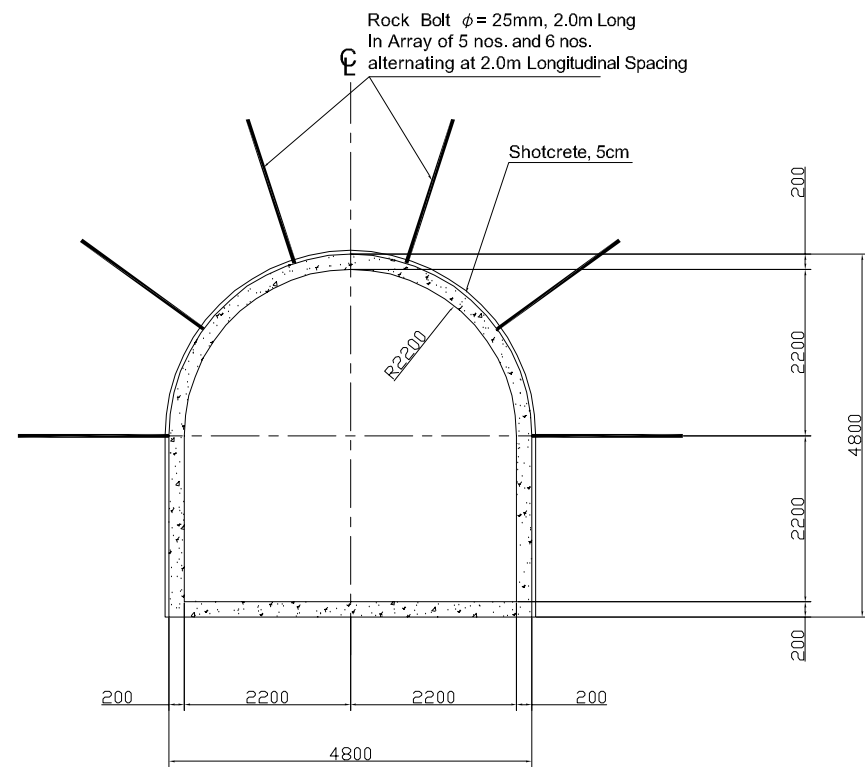


Section of Connection Tunnel  
(For Very Poor Rock Grade, Q5)

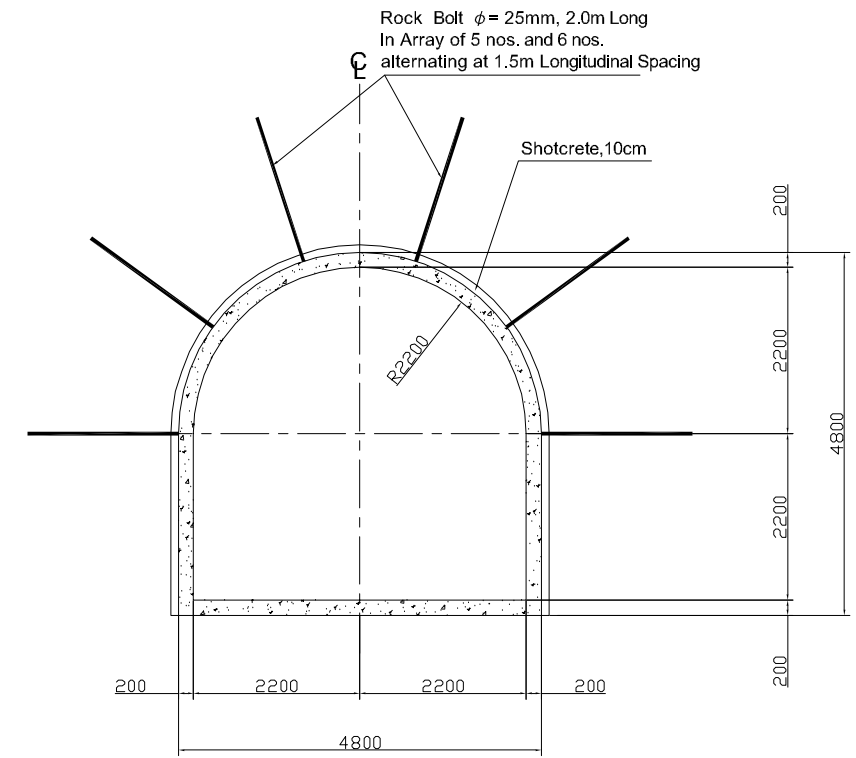


THE UPGRADING FEASIBILITY STUDY ON THE DEVELOPMENT  
OF THE KULEKHANI III HYDROPOWER PROJECT  
IN THE KINGDOM OF NEPAL  
JAPAN INTERNATIONAL COOPERATION AGENCY

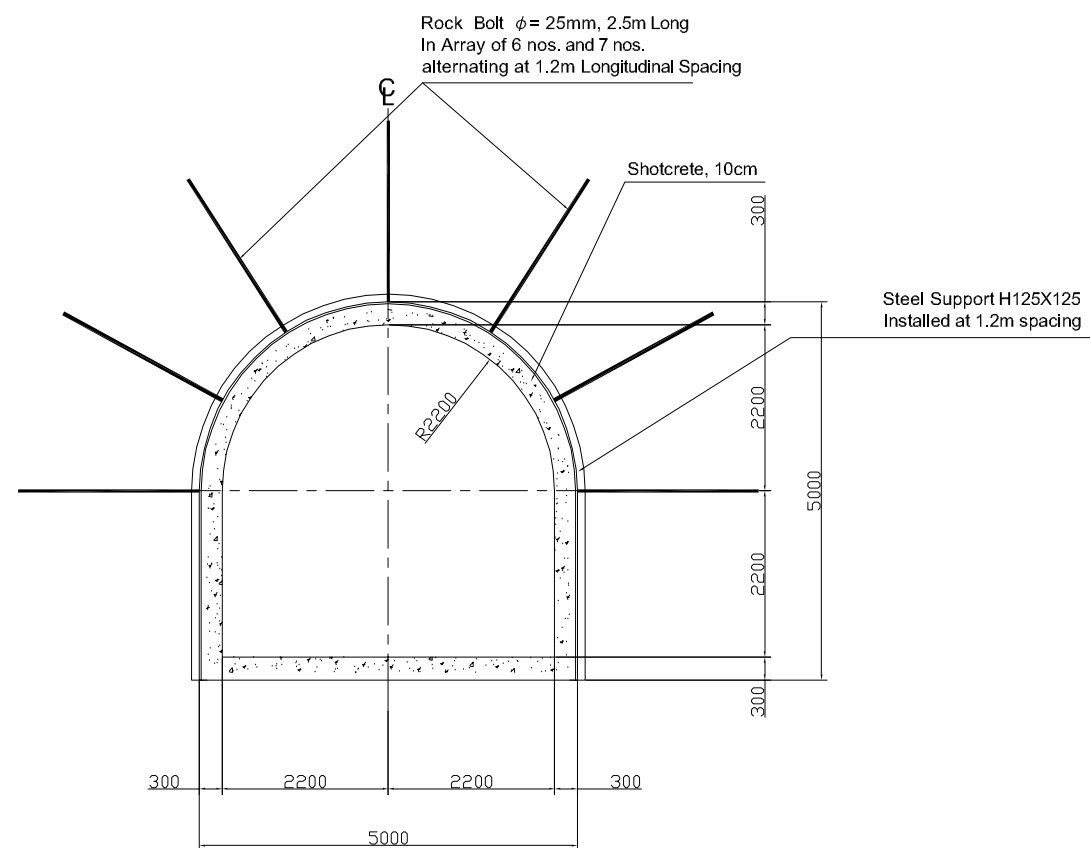
図面 S. 5  
コネクショントンネル断面図



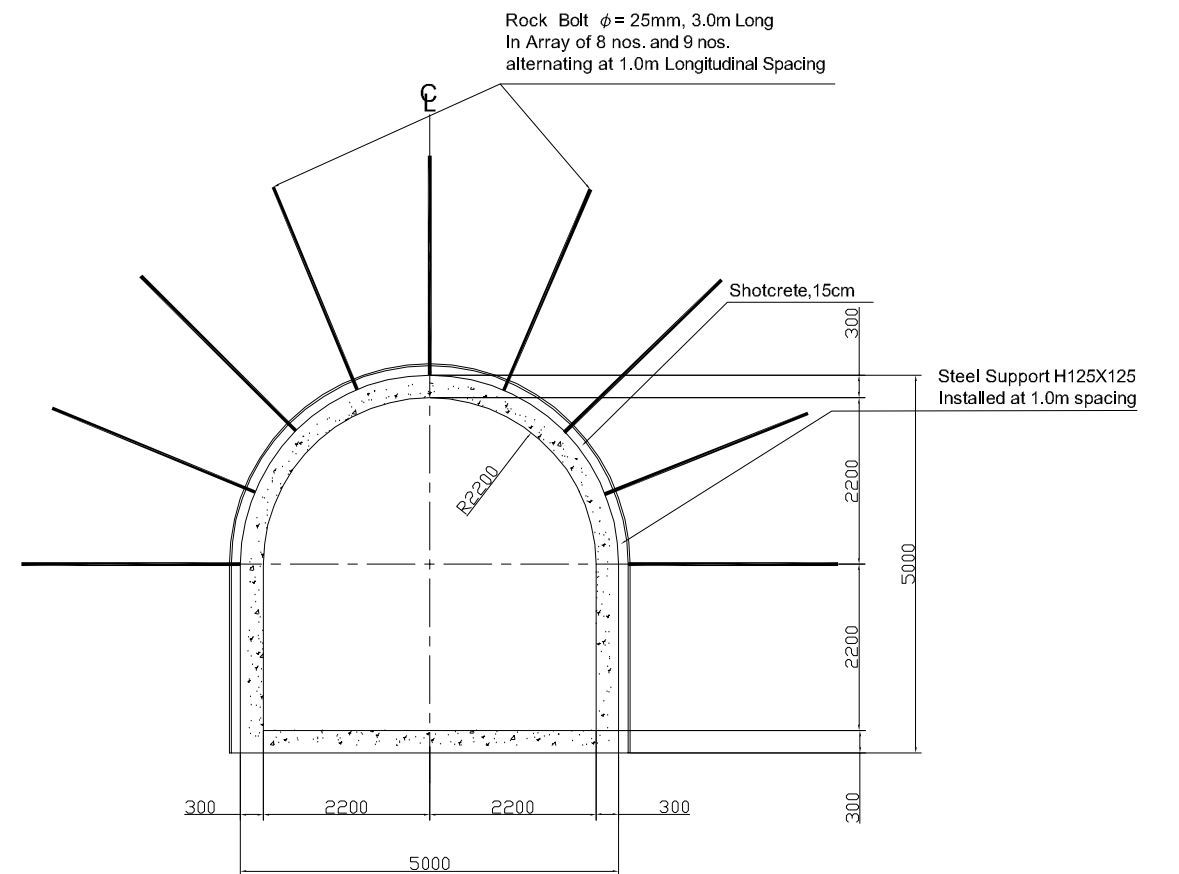
Tailrace Tunnel Section  
(For Good Rock Grade, Q2)



Tailrace Tunnel Section  
(For Fair Rock Grade, Q3)



Tailrace Tunnel Section  
(For Poor Rock Grade, Q4)



Tailrace Tunnel Section  
(For Very Poor Rock Grade, Q5)

