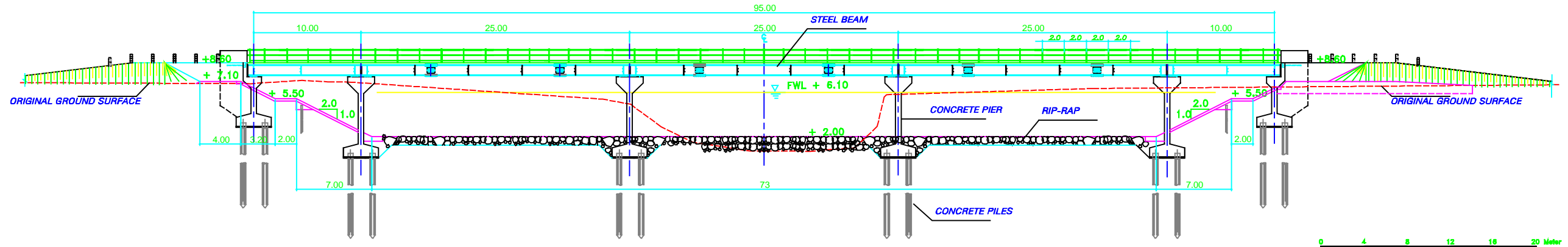
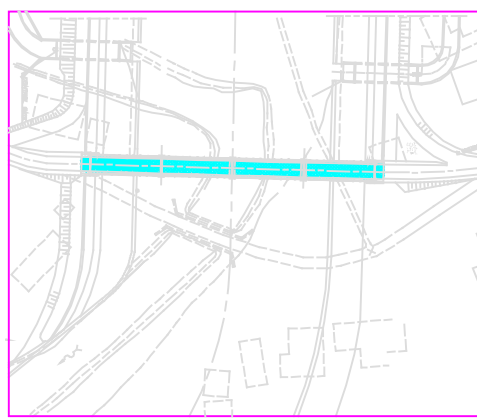


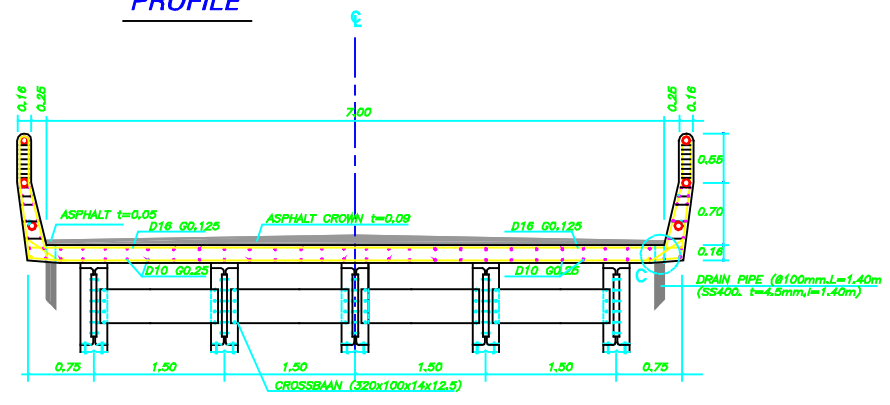
PLAN




PROFILE

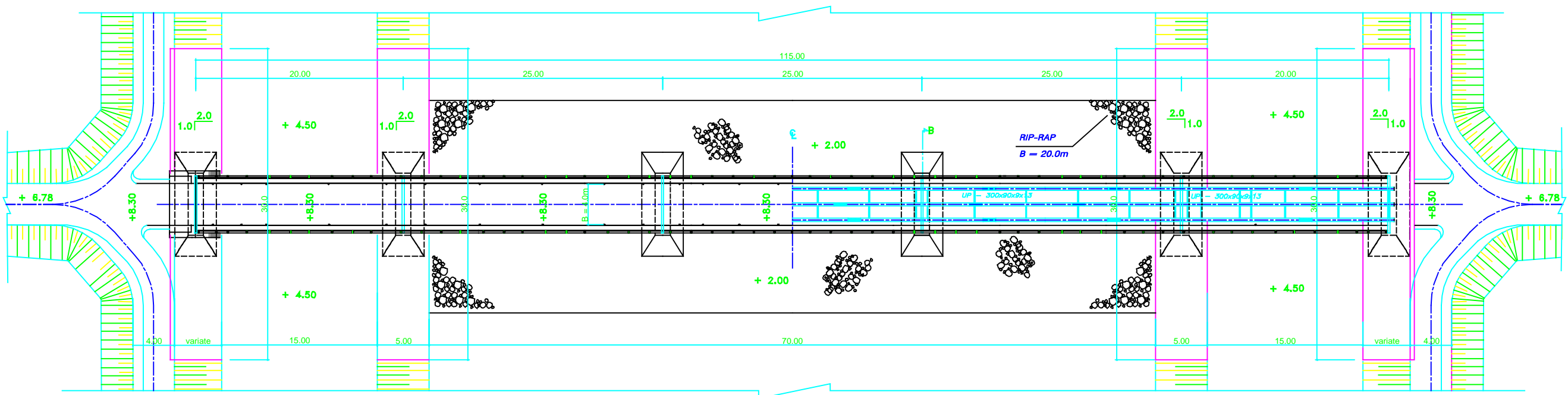


KEY PLAN

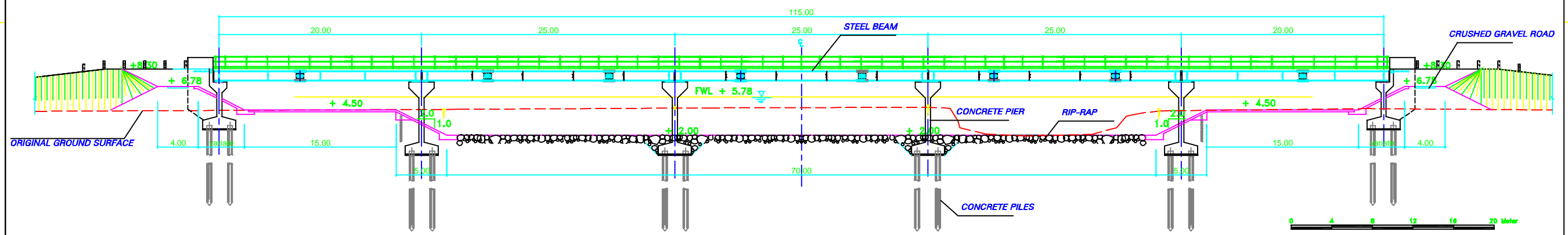


CROSS SECTION

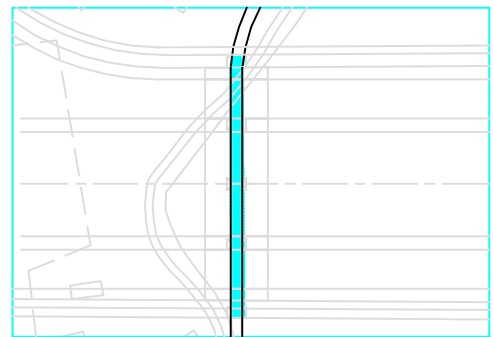
|   |  |   |             |
|---|--|---|-------------|
|  DIRECTORATE GENERAL OF WATER RESOURCES,<br>MINISTRY OF SETTLEMENT AND REGIONAL INFRASTRUCTURE |  |   |             |
| THE STUDY ON FLOOD CONTROL AND WATER MANAGEMENT<br>IN LIMBOTO - BOLANGO - BONE BASIN  |  |   |             |
| SECTION   |  |   |             |
| TAPODU RIVER IMPROVEMENT  |  |   |             |
| TITLE   |  |   |             |
| BRIDGE No. 1<br>PLAN, PROFILE AND CROSS SECTION   |  |   |             |
| Prepared by   |  | Approved by                               | Scale       |
| Name  |  | JICA Study Team                           | Date        |
| Signature   |  | Scale                                     | 1:75        |
| Date  |  | Scale                                     | 1:400       |
|   |  |   | OCT ,2002   |
|   |  |   |             |
| JICA  |  | JAPAN INTERNATIONAL<br>COOPERATION AGENCY | DRAWING No. |
|   |  |   | BR/TPD-1    |
|   |  |   | SHEET No.   |
|   |  |   | 1/3         |



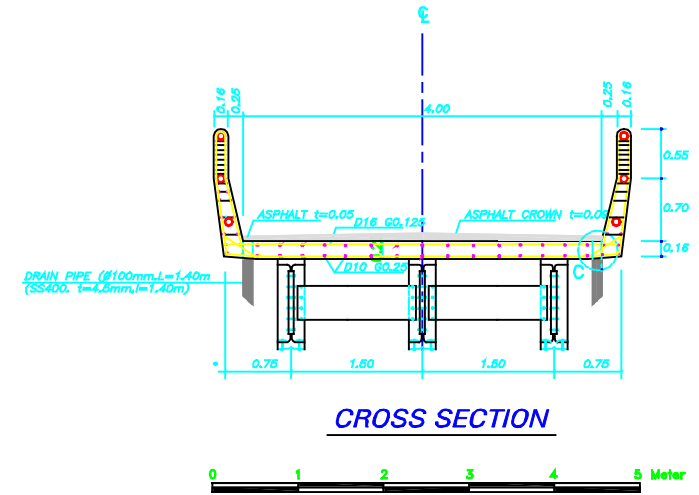
PLAN



PROFILE

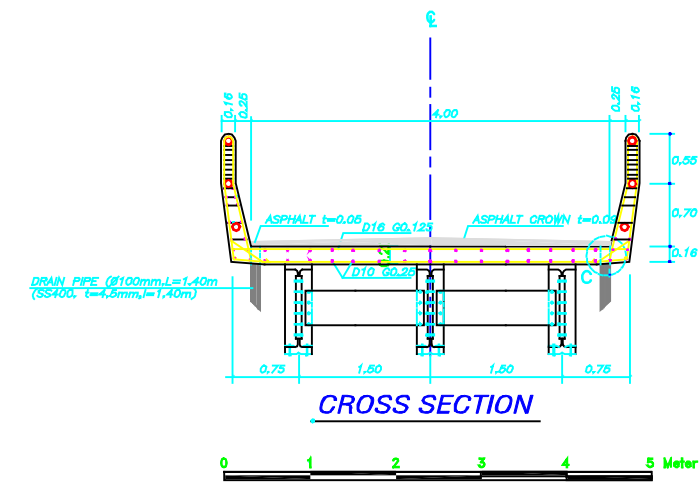
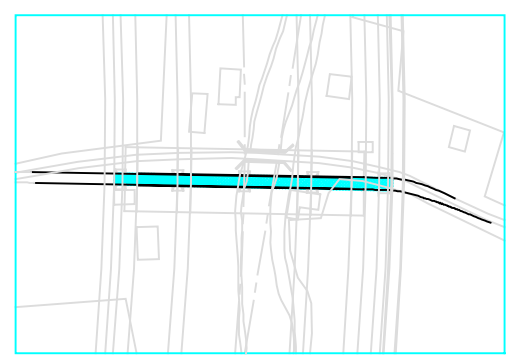
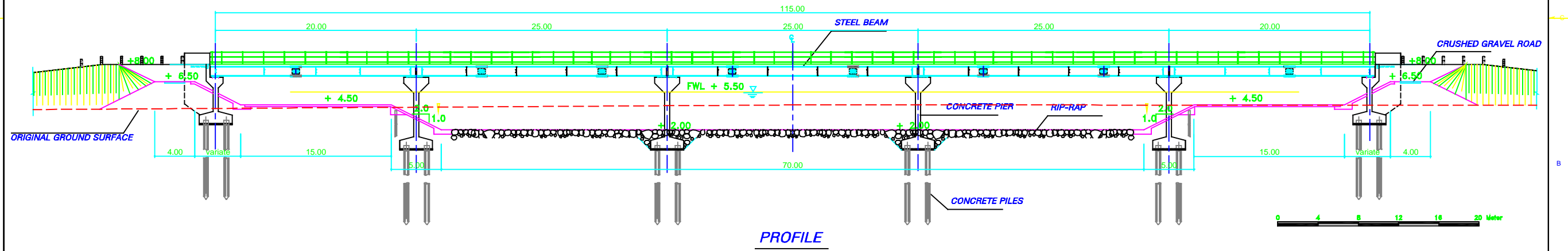
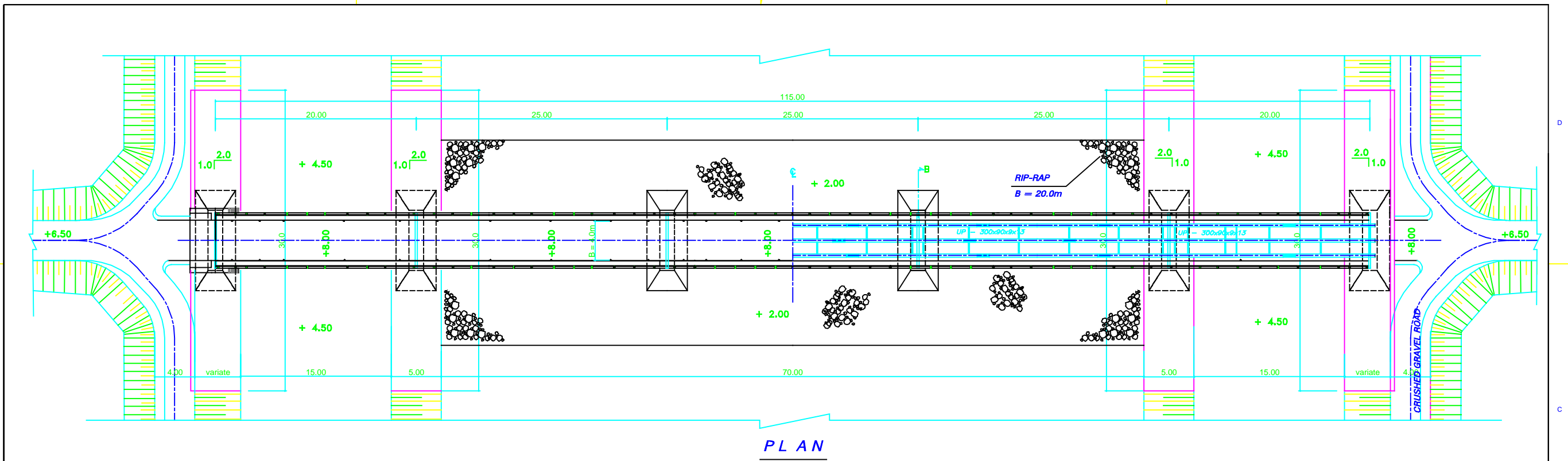


KEY PLAN

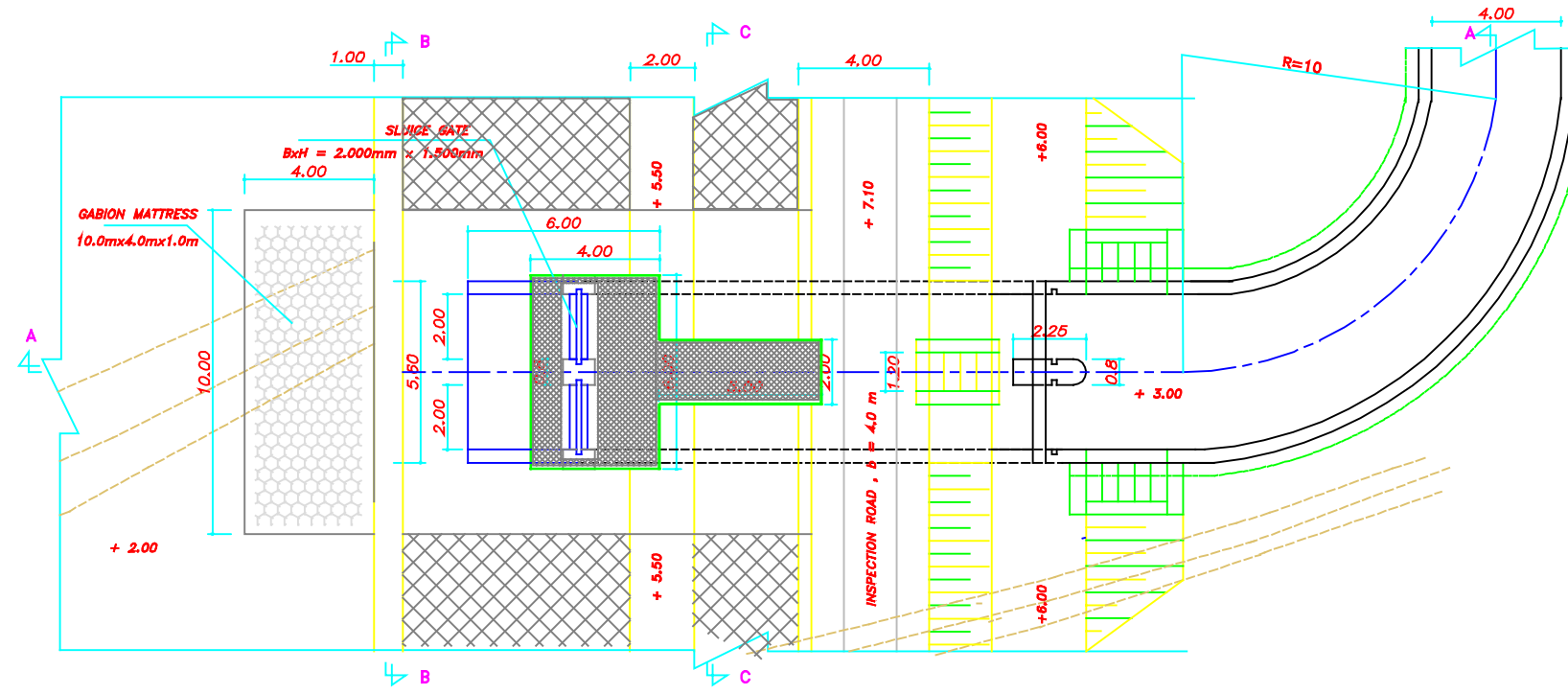


CROSS SECTION

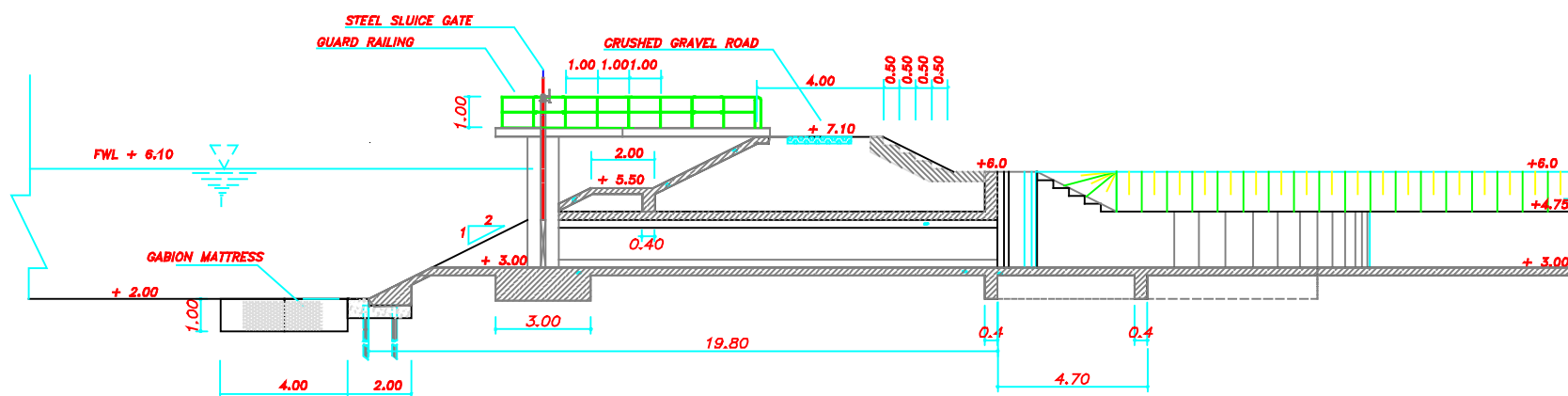
|   |             |   |                           |
|---|-------------|---|---------------------------|
|   |             |   |                           |
| DIRECTORATE GENERAL OF WATER RESOURCES,<br>MINISTRY OF SETTLEMENT AND REGIONAL INFRASTRUCTURE |             |   |                           |
| THE STUDY ON FLOOD CONTROL AND WATER MANAGEMENT<br>IN LIMBOTO - BOLONGO - BONE BASIN          |             |   |                           |
| SECTION   |             | TAPODU RIVER IMPROVEMENT                        |                           |
| TITLE   |             | BRIDGE No. 2<br>PLAN, PROFILE AND CROSS SECTION |                           |
| Name  | Prepared by | Approved by                                     | Scale                     |
| Signature   |             | JICA Study Team                                 | Scale 1:75<br>Scale 1:400 |
| Date  |             |   | OCT ,2002                 |
| JICA  |             | DRAWING No.                                     |                           |
| JAPAN INTERNATIONAL COOPERATION AGENCY  |             | BR/TPD-2  |                           |
|   |             | SHEET No.                                       |                           |
|   |             | 2/3   |                           |



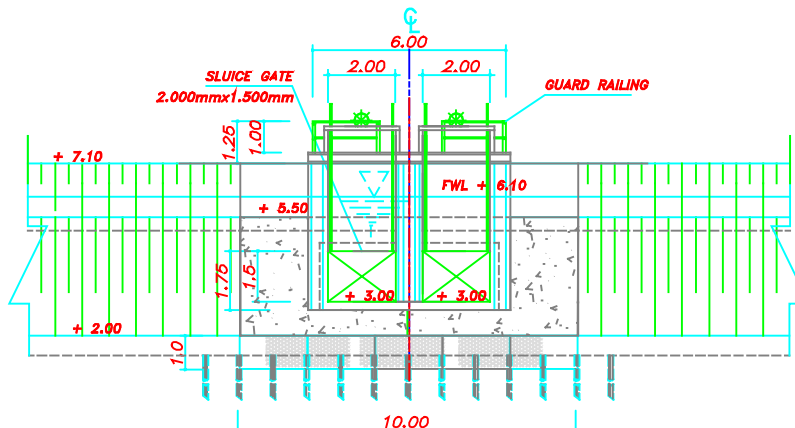
|   |  |                           |  |
|---|--|---------------------------|--|
|   |  |                           |  |
| DIRECTORATE GENERAL OF WATER RESOURCES,<br>MINISTRY OF SETTLEMENT AND REGIONAL INFRASTRUCTURE |  |                           |  |
| THE STUDY ON FLOOD CONTROL AND WATER MANAGEMENT<br>IN LIMBOTO - BOLANGO - BONE BASIN          |  |                           |  |
| <b>SECTION</b> TAPODU RIVER IMPROVEMENT   |  |                           |  |
| <b>TITLE</b> BRIDGE No. 3<br>PLAN, PROFILE AND CROSS SECTION                                  |  |                           |  |
| Prepared by   |  | Approved by               |  |
| Name  |  | JICA Study Team           |  |
| Signature   |  | Scale 1:75<br>Scale 1:400 |  |
| Date  |  | OCT_2002                  |  |
|   |  | DRAWING No.               |  |
| JAPAN INTERNATIONAL<br>COOPERATION AGENCY   |  | BR/TPD-3                  |  |
|   |  | SHEET No.                 |  |
|   |  | 3/3                       |  |



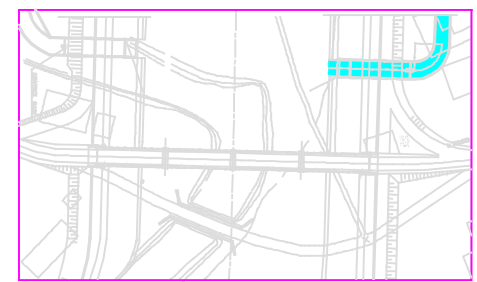
PLAN



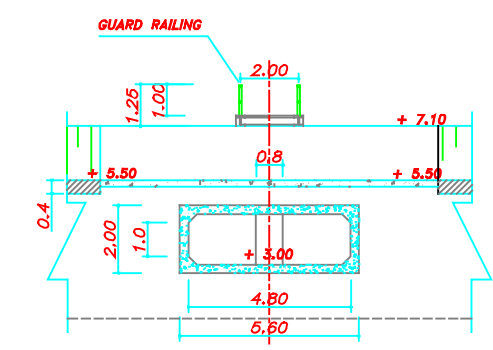
SECTION A - A



SECTION B - B





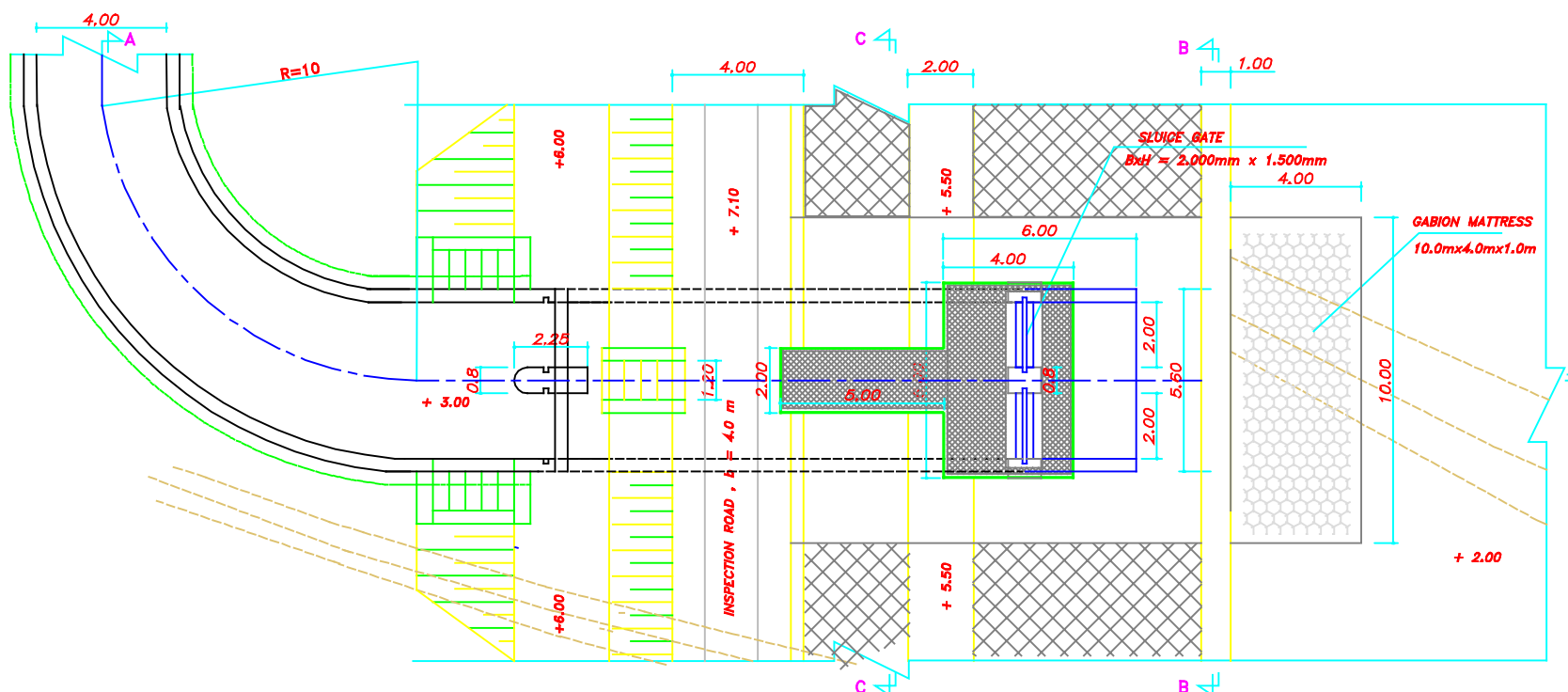
KEY PLAN



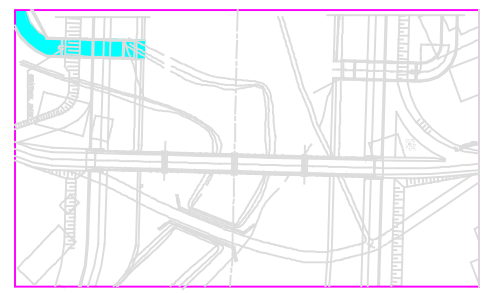
SECTION C - C



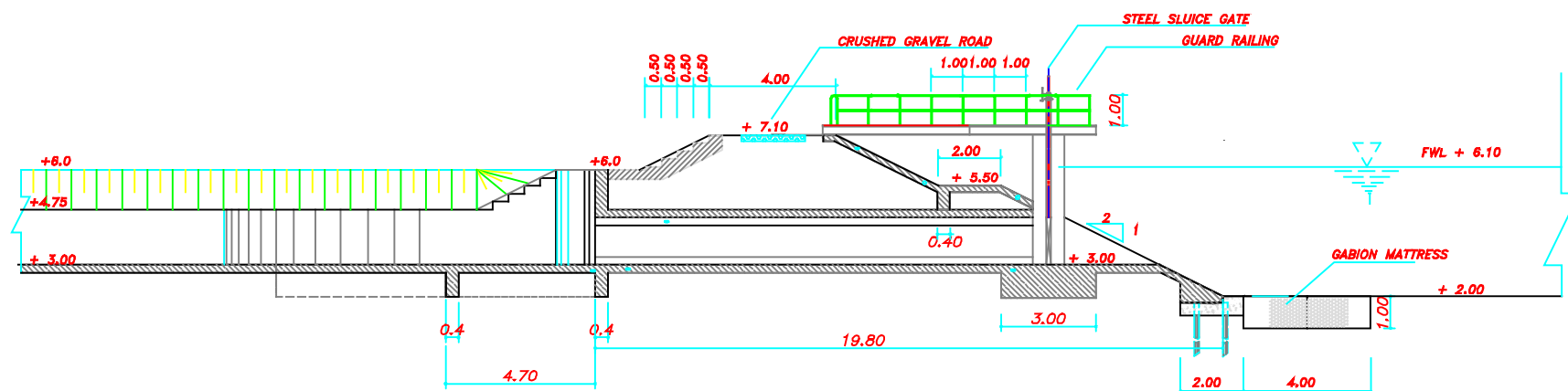
|   |            |                     |                  |
|---|------------|---------------------|------------------|
|  DIRECTORATE GENERAL OF WATER RESOURCES,<br>MINISTRY OF SETTLEMENT AND REGIONAL INFRASTRUCTURE |            |                     |                  |
| THE STUDY ON FLOOD CONTROL AND WATER MANAGEMENT<br>IN LIMBOTO - BOLONGO - BONE BASIN  |            |                     |                  |
| SECTION : TAPODU RIVER IMPROVEMENT  |            |                     |                  |
| TITLE : SLUICE GATE NO.1<br>PLAN, PROFILE AND CROSS SECTION   |            |                     |                  |
|   | Checked by | Approved by         | SCALE            |
| Name  |            |                     | 1 : 200          |
| Signature   |            |                     | DATE             |
| Date  |            |                     | SEPTEMBER, 2002  |
|  JICA JAPAN INTERNATIONAL<br>COOPERATION AGENCY  |            | DWG No.<br>LS/TPD-2 | SHEET No.<br>1/3 |



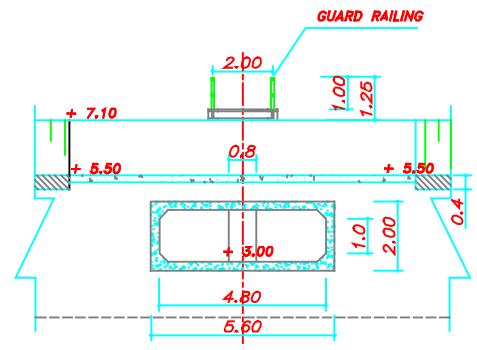
PLAN



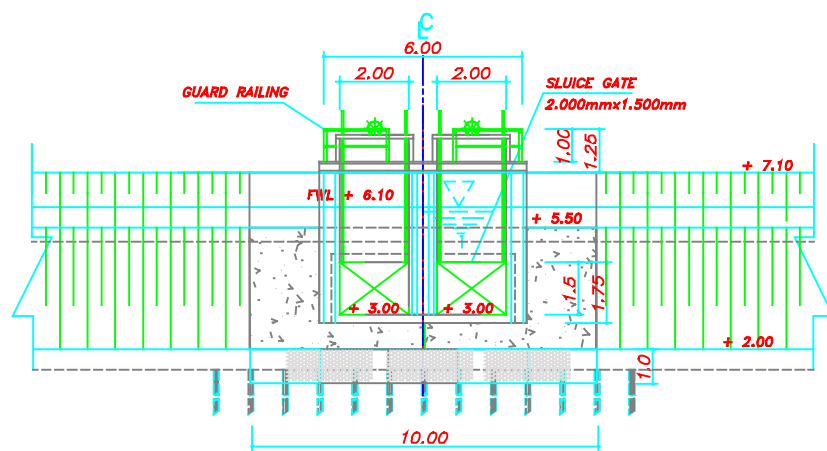
KEY PLAN



SECTION A - A





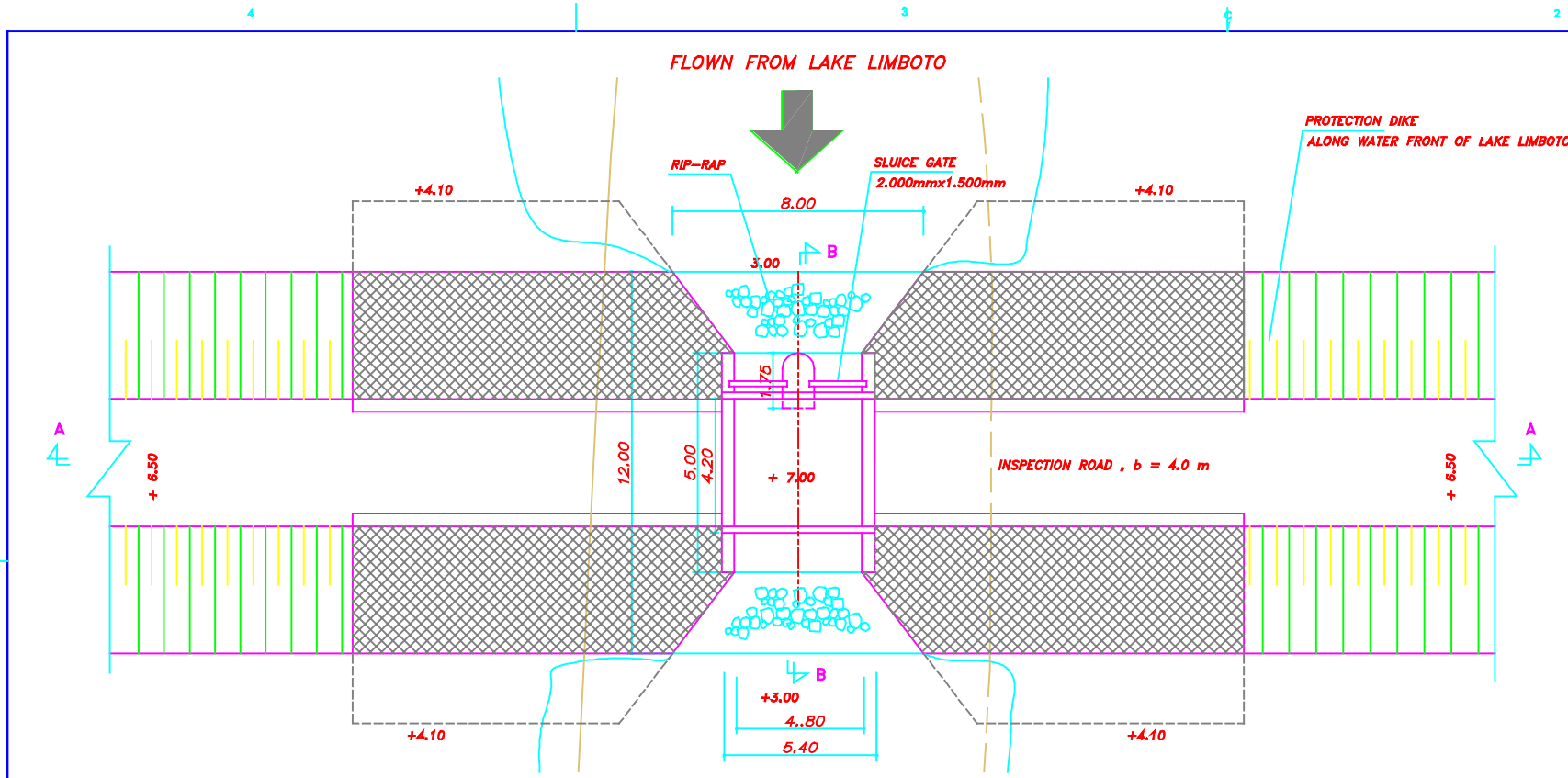
SECTION C - C



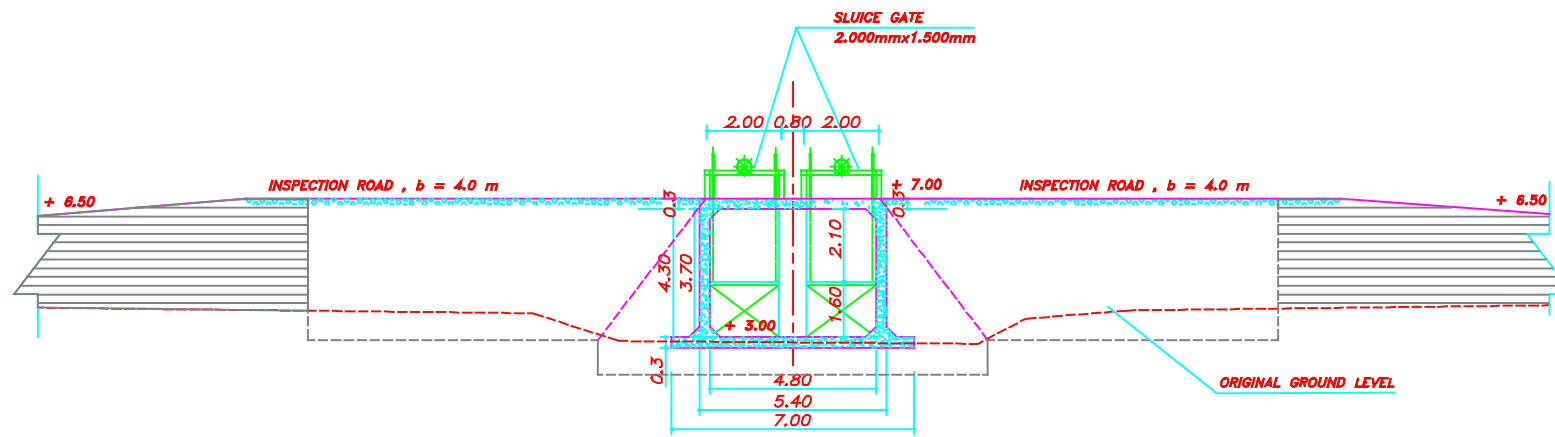
SECTION B - B



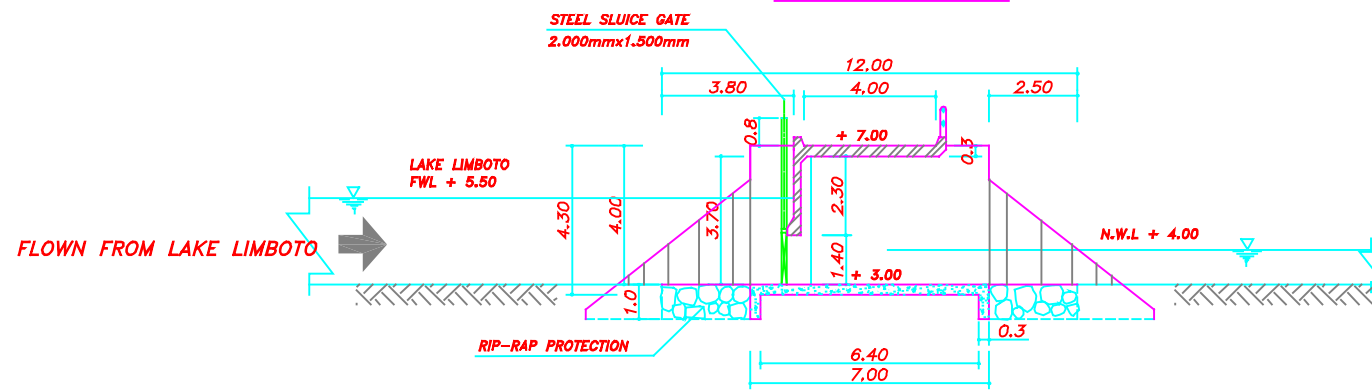
|   |             |                     |                  |
|---|-------------|---------------------|------------------|
|  DIRECTORATE GENERAL OF WATER RESOURCES,<br>MINISTRY OF SETTLEMENT AND REGIONAL INFRASTRUCTURE |             |                     |                  |
| THE STUDY ON FLOOD CONTROL AND WATER MANAGEMENT<br>IN LIMBOTO - BOLANGO - BONE BASIN  |             |                     |                  |
| SECTION : TAPODU RIVER IMPROVEMENT  |             |                     |                  |
| TITLE : SLUICE GATE NO.2  |             |                     |                  |
| PLAN, PROFILE AND CROSS SECTION   |             |                     |                  |
| Checked by  | Approved by | SCALE               | DATE             |
| Name  |             | 1 : 200             | SEPTEMBER , 2002 |
| Signature   |             |                     |                  |
| Date  |             |                     |                  |
|  JICA JAPAN INTERNATIONAL<br>COOPERATION AGENCY  |             | DWG No.<br>LS/TPD-1 | SHEET No.<br>2/5 |



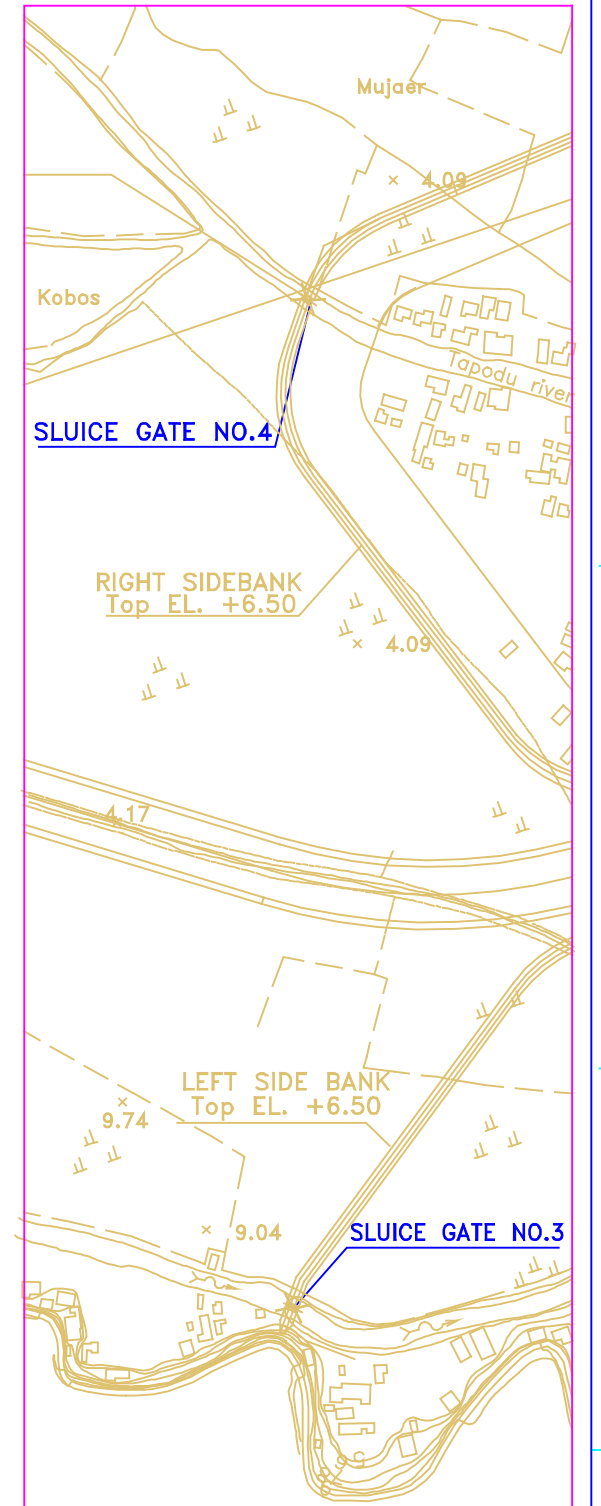
PLAN





SECTION A - A



SECTION B - B



KEY PLAN

|   |             |                     |                  |
|---|-------------|---------------------|------------------|
|  DIRECTORATE GENERAL OF WATER RESOURCES,<br>MINISTRY OF SETTLEMENT AND REGIONAL INFRASTRUCTURE |             |                     |                  |
| THE STUDY ON FLOOD CONTROL AND WATER MANAGEMENT<br>IN LIMBOTO - BOLANGO - BONE BASIN  |             |                     |                  |
| SECTION : TAPODU RIVER IMPROVEMENT  |             |                     |                  |
| TITLE : SLUICE GATE NO.3 & 4<br>PLAN, PROFILE AND CROSS SECTION   |             |                     |                  |
| Checked by  | Approved by | SCALE               | DATE             |
| Name  |             | 1 : 200             | SEPTEMBER , 2002 |
| Signature   |             |                     |                  |
| Date  |             |                     |                  |
|  JAPAN INTERNATIONAL<br>COOPERATION AGENCY   |             | DWG No.<br>SL/TPD-3 | SHEET No.<br>3/3 |