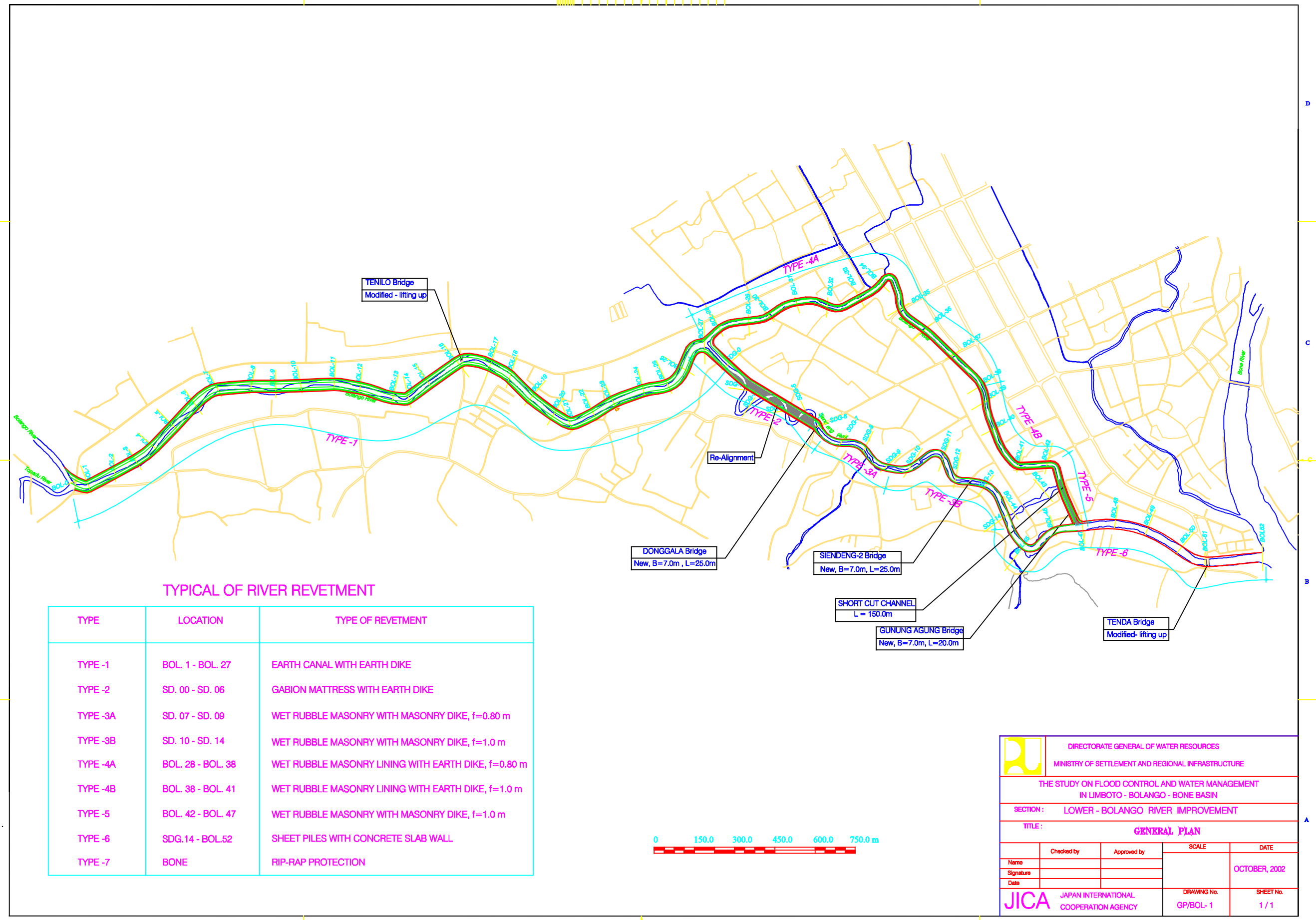


DWG-B: FACILITY DESIGN

LIST OF FACILITY DRAWING
SECTION : LOWER BOLANGO RIVER IMPROVEMENT

No.	DRAWING NO	SHEET No.	TITLE OF DRAWING
1	GL/BOL -1	1/1	GENERAL PLAN
2	BR/BOL -1	1/3	DONGGALA BRIDGE - PLAN , PROFILE AND CROSS SECTION
3	BR/BOL -2	2/3	SIENDENG-2 BRIDGE - PLAN , PROFILE AND CROSS SECTION
4	BR/BOL -3	3/3	GUNUNG AGUNG BRIDGE - PLAN , PROFILE AND CROSS SECTION
5	TP/BOL -1	1/3	TYPICAL RIVER REVETMENT - TYPE 1-2
6	TP/BOL -2	2/3	TYPICAL RIVER REVETMENT - TYPE 3-4
7	TP/BOL -3	3/3	TYPICAL RIVER REVETMENT - TYPE 5-6
8	BS/TBOL -1	1/1	BORING LOG AND LOCATION
9	LS/BOL -1	1/4	LONGITUDINAL SECTION - PROFILE BOL.0 - BOL.15
10	LS/BOL -2	2/4	LONGITUDINAL SECTION - PROFILE BOL.15 - SDG.2
11	LS/BOL -3	3/4	LONGITUDINAL SECTION - PROFILE SDG.2 - BOL.47
12	LS/BOL -4	4/4	LONGITUDINAL SECTION - PROFILE BOL.47 - BOL.52
13	LS/BOLSC -1	1/2	LONGITUDINAL SECTION - PROFILE BP - BOL.37
14	LS/BOLSC -2	2/2	LONGITUDINAL SECTION - PROFILE BOL.37 - CUT.2

**THE STUDY OF FLOOD CONTROL AND WATER MANAGEMENT
IN LIMBOTO - BOLANGO - BONE BASIN**

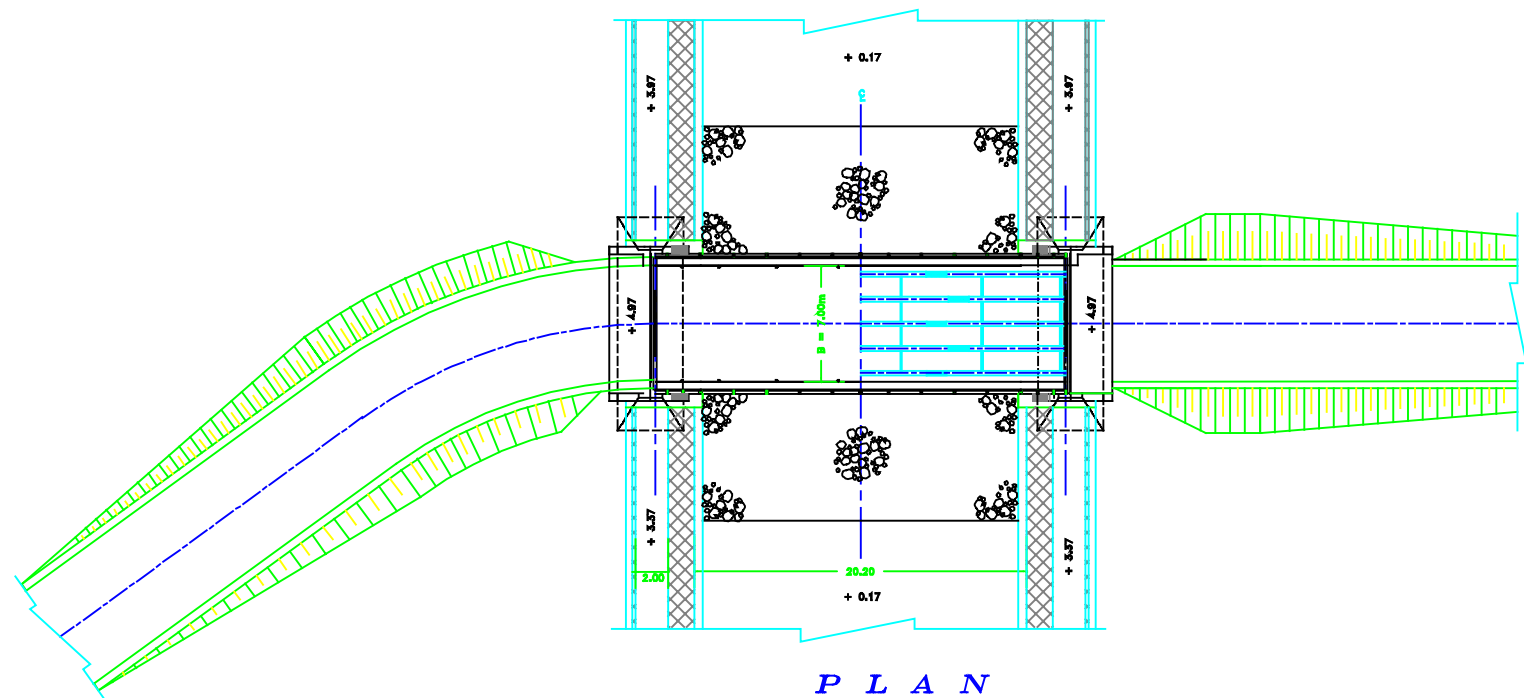


TYPICAL OF RIVER REVETMENT

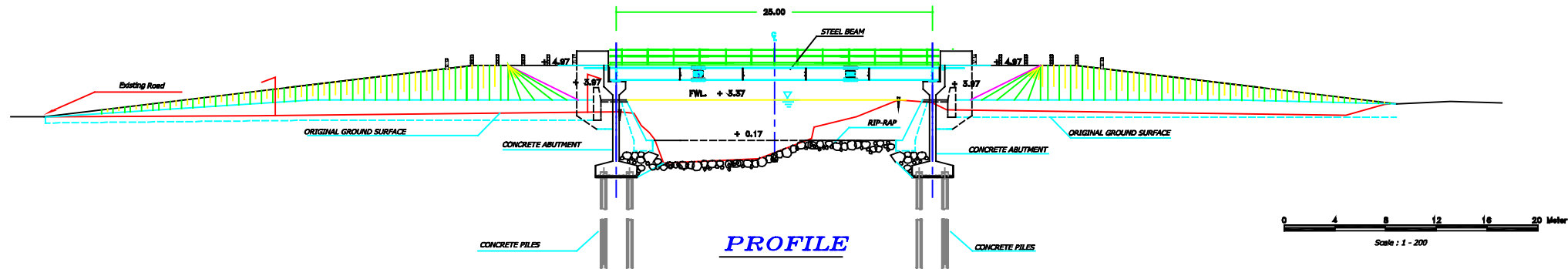
TYPE	LOCATION	TYPE OF REVETMENT
TYPE -1	BOL. 1 - BOL. 27	EARTH CANAL WITH EARTH DIKE
TYPE -2	SD. 00 - SD. 06	GABION MATTRESS WITH EARTH DIKE
TYPE -3A	SD. 07 - SD. 09	WET RUBBLE MASONRY WITH MASONRY DIKE, f=0.80 m
TYPE -3B	SD. 10 - SD. 14	WET RUBBLE MASONRY WITH MASONRY DIKE, f=1.0 m
TYPE -4A	BOL. 28 - BOL. 38	WET RUBBLE MASONRY LINING WITH EARTH DIKE, f=0.80 m
TYPE -4B	BOL. 38 - BOL. 41	WET RUBBLE MASONRY LINING WITH EARTH DIKE, f=1.0 m
TYPE -5	BOL. 42 - BOL. 47	WET RUBBLE MASONRY WITH MASONRY DIKE, f=1.0 m
TYPE -6	SDG.14 - BOL.52	SHEET PILES WITH CONCRETE SLAB WALL
TYPE -7	BONE	RIP-RAP PROTECTION



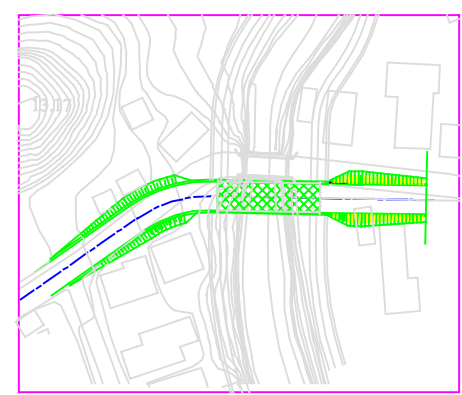
	DIRECTORATE GENERAL OF WATER RESOURCES			
	MINISTRY OF SETTLEMENT AND REGIONAL INFRASTRUCTURE			
THE STUDY ON FLOOD CONTROL AND WATER MANAGEMENT IN LIMBOTO - BOLANGO - BONE BASIN				
SECTION : LOWER - BOLANGO RIVER IMPROVEMENT				
TITLE : GENERAL PLAN				
Checked by		Approved by		SCALE
Name				DATE
Signature				
Date				OCTOBER, 2002
JICA JAPAN INTERNATIONAL COOPERATION AGENCY		DRAWING No. GP/BOL- 1	SHEET No. 1 / 1	



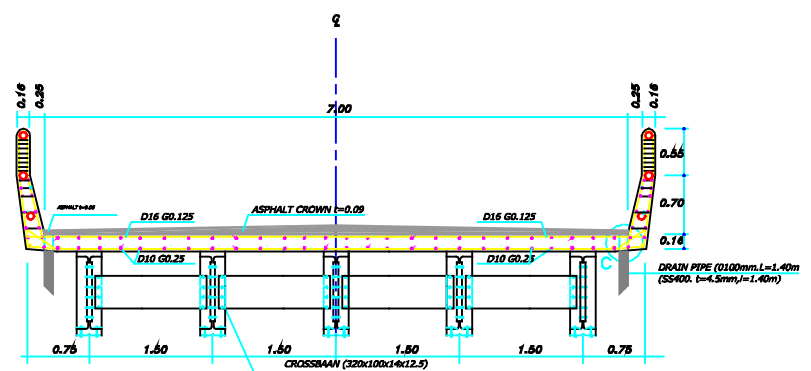
PLAN




PROFILE

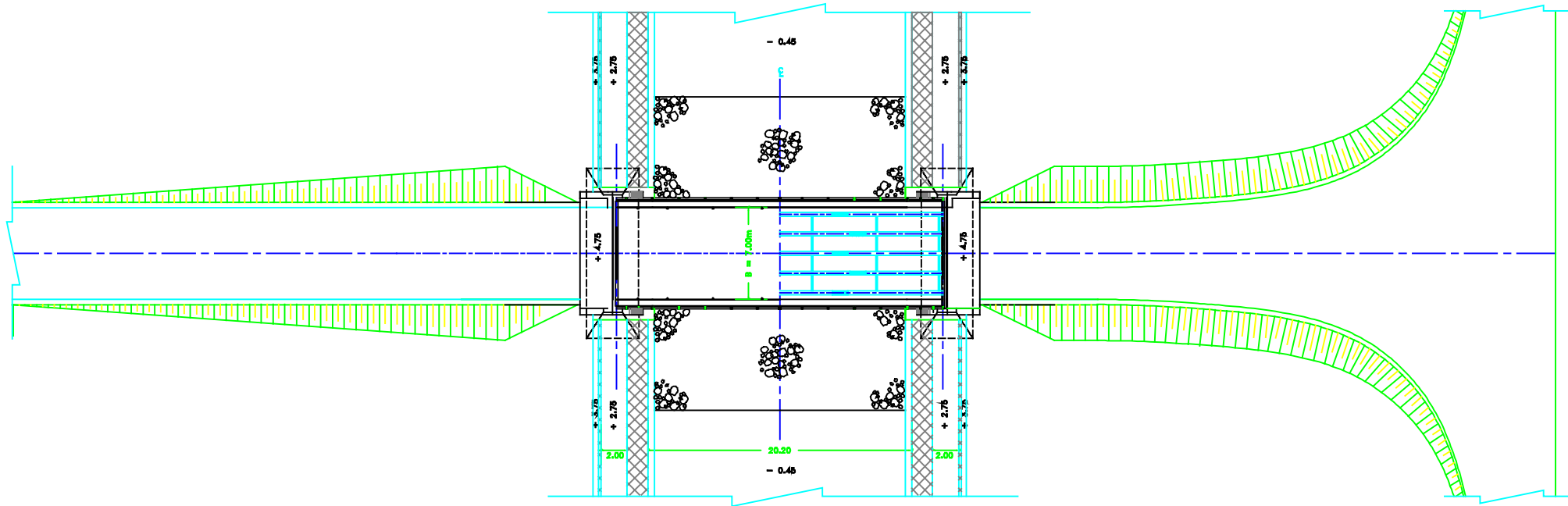


KEY PLAN

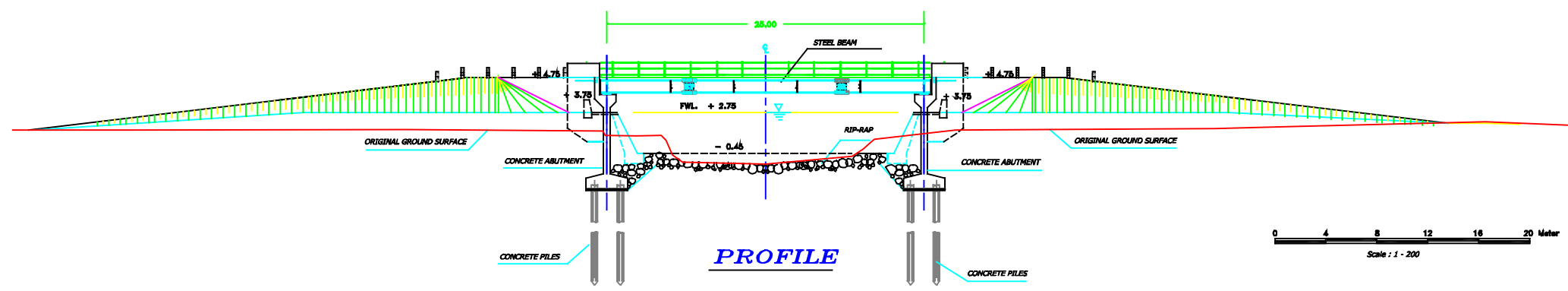


CROSS SECTION

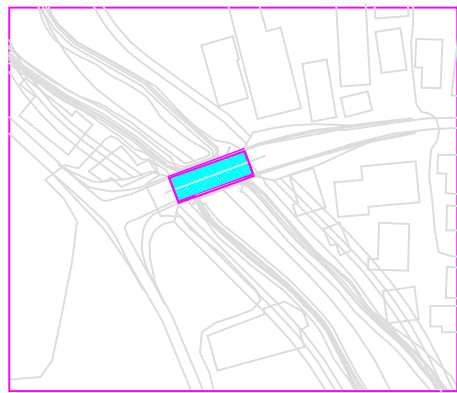
 DIRECTORATE GENERAL OF WATER RESOURCES, MINISTRY OF SETTLEMENT AND REGIONAL INFRASTRUCTURE			
THE STUDY ON FLOOD CONTROL AND WATER MANAGEMENT IN LIMBOTO - BOLANGO - BONE BASIN			
SECTION : LOWER BOLANGO RIVER IMPROVEMENT			
TITLE : DONGGALA BRIDGE PLAN, PROFILE AND CROSS SECTION			
Checked by	Approved by	SCALE	DATE
Name		1:40	OCTOBER, 2002
Signature		1:400	
Date			
JICA JAPAN INTERNATIONAL COOPERATION AGENCY		DRAWING No. BR/BOL-1	SHEET No. 1/3



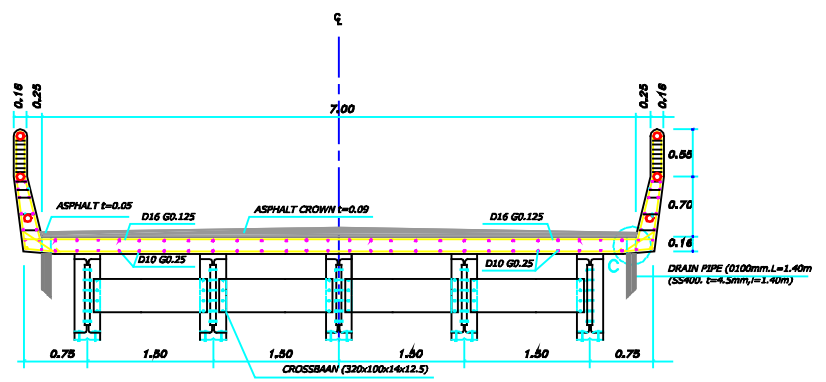
PLAN





PROFILE

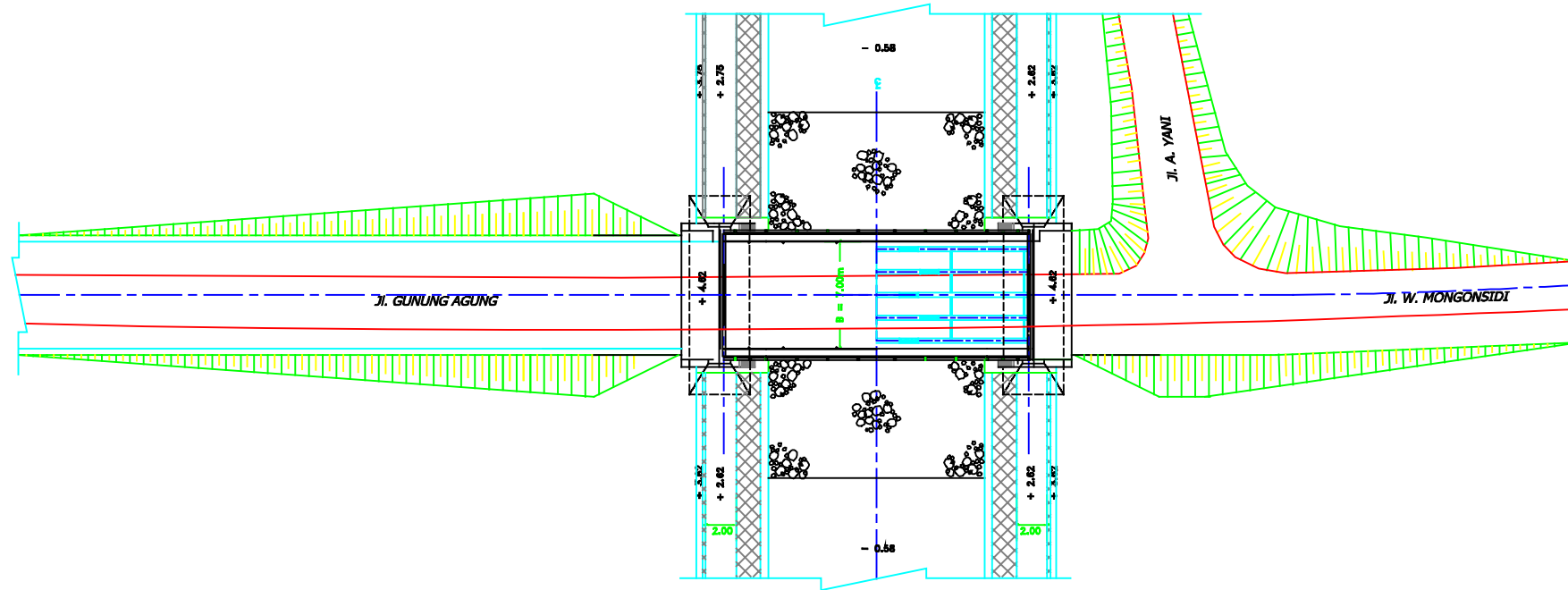


KEY PLAN

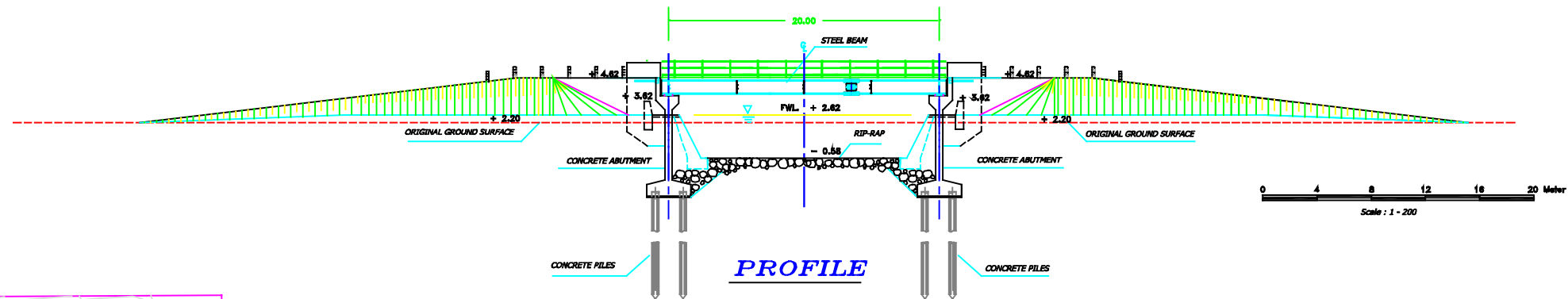


CROSS SECTION

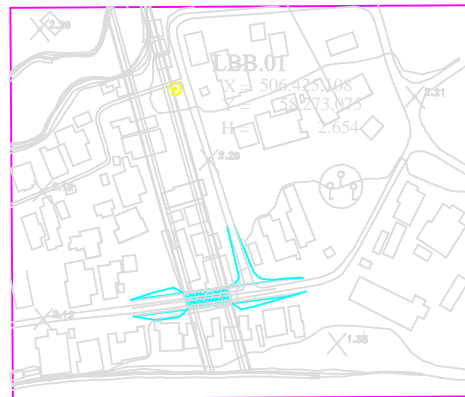
 DIRECTORATE GENERAL OF WATER RESOURCES, MINISTRY OF SETTLEMENT AND REGIONAL INFRASTRUCTURE			
THE STUDY ON FLOOD CONTROL AND WATER MANAGEMENT IN LIMBOTO - BOLANGO - BONE BASIN			
SECTION 1 LOWER BOLANGO RIVER IMPROVEMENT			
TITLE 1 SIENDENG-2 BRIDGE PLAN, PROFILE AND CROSS SECTION			
	Checked by	Approved by	SCALE
Name			1:40
Signature			1:400
Date			OCTOBER, 2002
 JICA JAPAN INTERNATIONAL COOPERATION AGENCY		DRAWING No.	SHEET No.
		BR/BOL-2	2/3



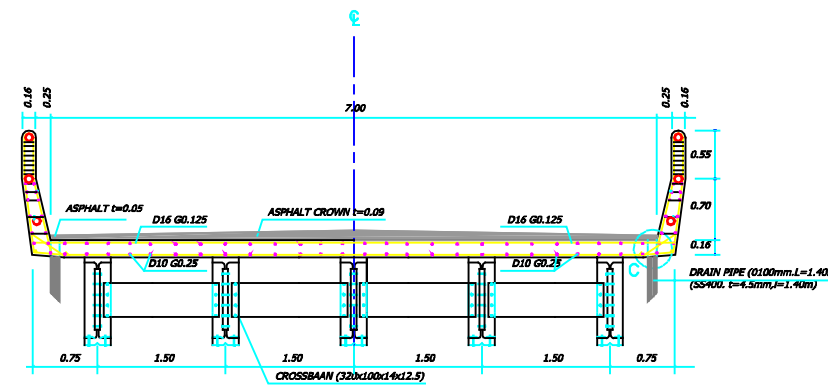
PLAN




PROFILE



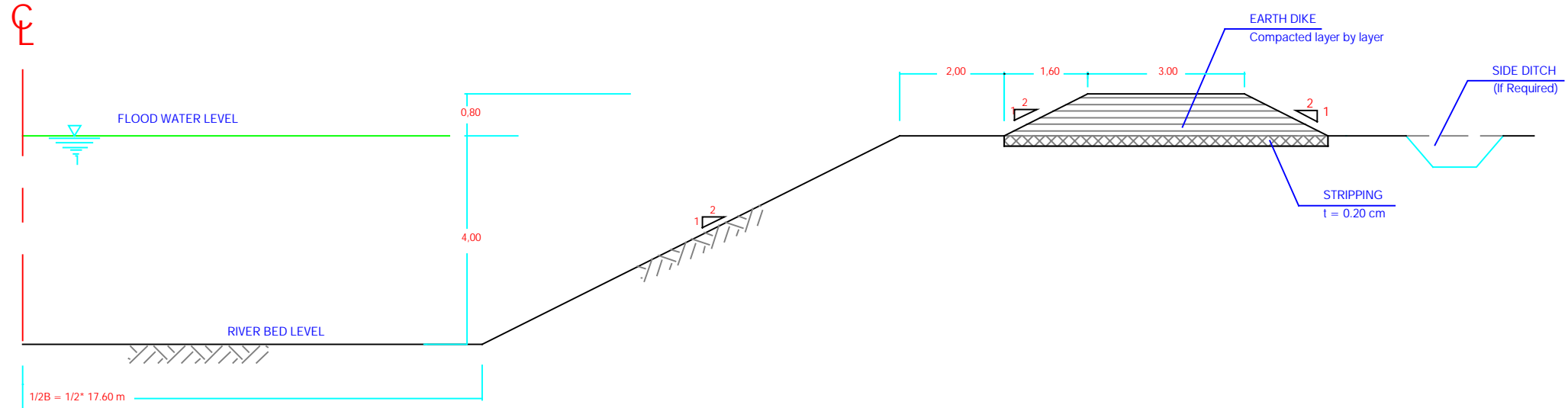
KEY PLAN



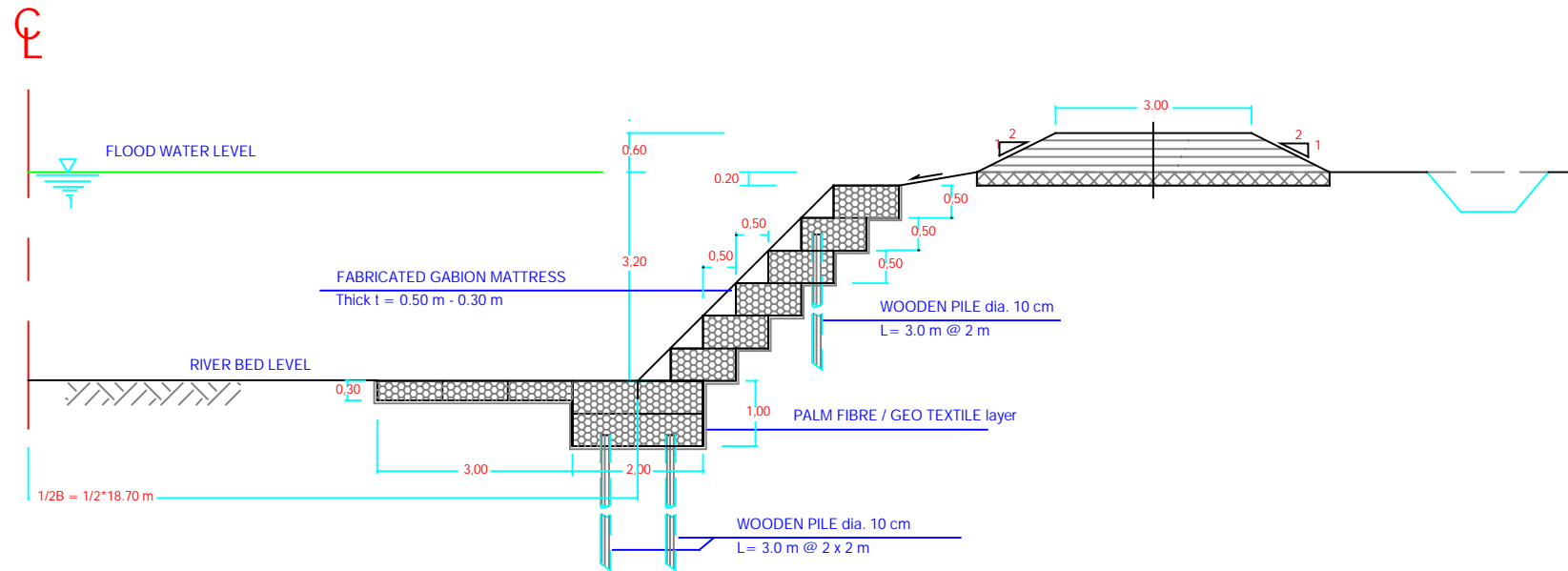
CROSS SECTION

 DIRECTORATE GENERAL OF WATER RESOURCES, MINISTRY OF SETTLEMENT AND REGIONAL INFRASTRUCTURE			
THE STUDY ON FLOOD CONTROL AND WATER MANAGEMENT IN LIMBOTO - BOLANGO - BONE BASIN			
SECTION : LOWER BOLANGO RIVER IMPROVEMENT			
TITLE : GUNUNG AGUNG BRIDGE PLAN, PROFILE AND CROSS SECTION			
	Checked by	Approved by	SCALE
Name			1 : 40
Signature			1 : 400
Date			OCTOBER, 2002
JICA JAPAN INTERNATIONAL COOPERATION AGENCY		DRAWING No. BR/BOL-3	SHEET No. 3/3

TYPE - 1
SECTION : BOL.01 - BOL. 27
EARTH CANAL WITH EARTH DIKE

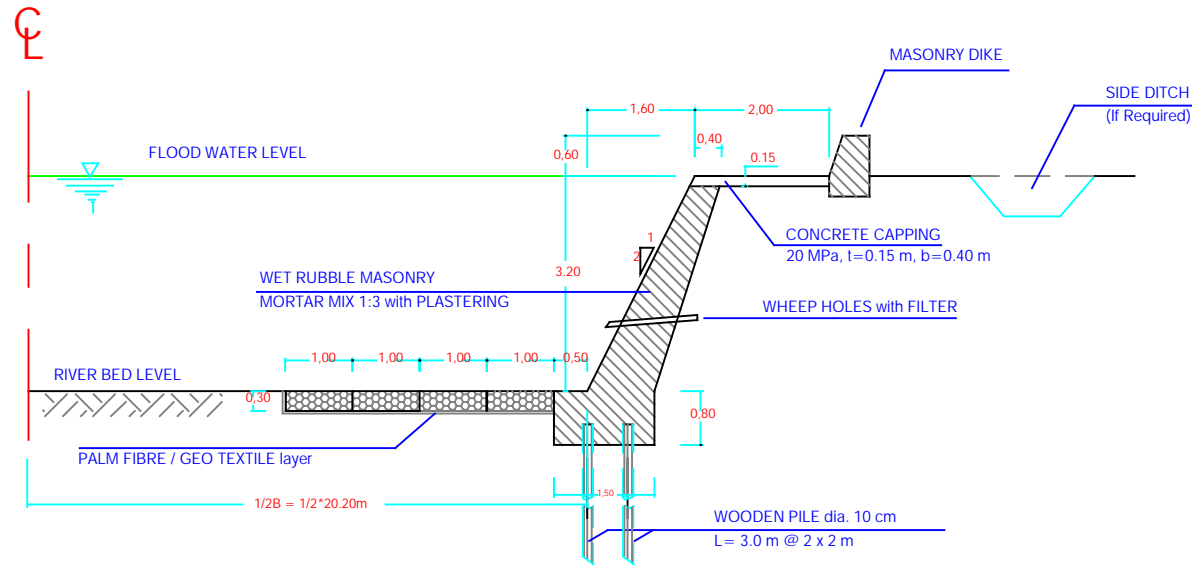


TYPE - 2
SECTION : SD.00 - SD.06
GABION MATTRESSES WITH EARTH DIKE

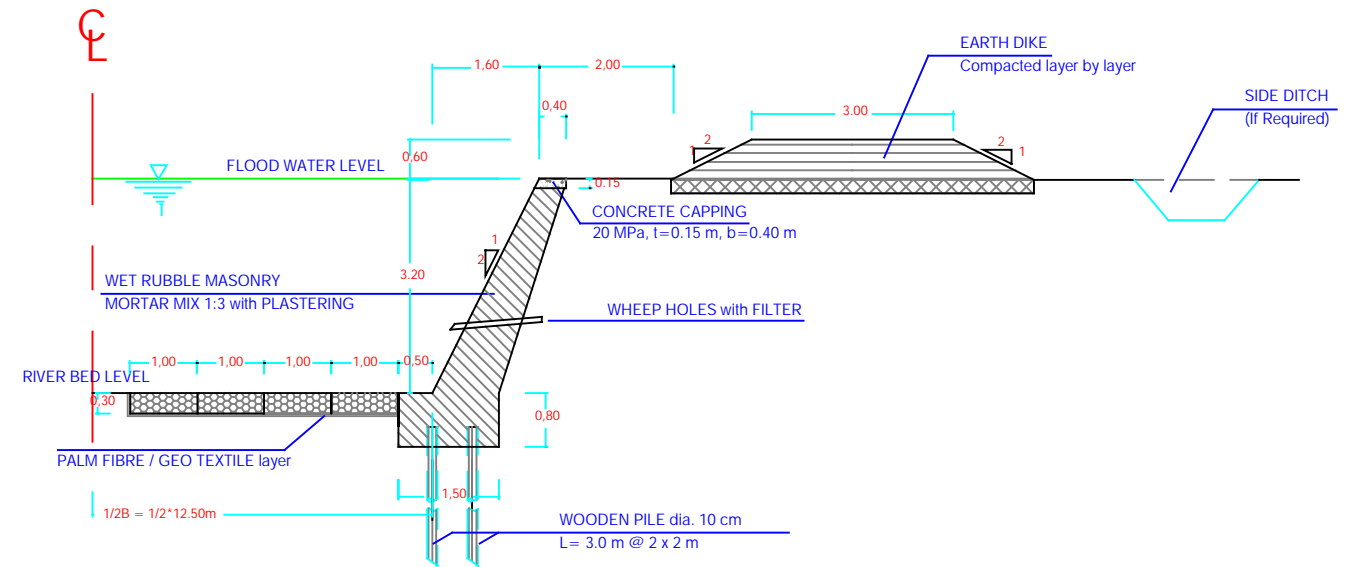


		DIRECTORATE GENERAL OF WATER RESOURCES	
		MINISTRY OF SETTLEMENT AND REGIONAL INFRASTRUCTURE	
THE STUDY ON FLOOD CONTROL AND WATER MANAGEMENT IN LIMBOTO - BOLANGO - BONE BASIN			
SECTION : LOWER - BOLANGO RIVER IMPROVEMENT			
TITLE : TYPICAL RIVER REVETMENT TYPE 1 - 2			
Checked by	Approved by	SCALE	DATE
Name			OCTOBER, 2002
Signature			
Date			
DRAWING No.		SHEET No.	
TR / BOL - 1		1 / 3	

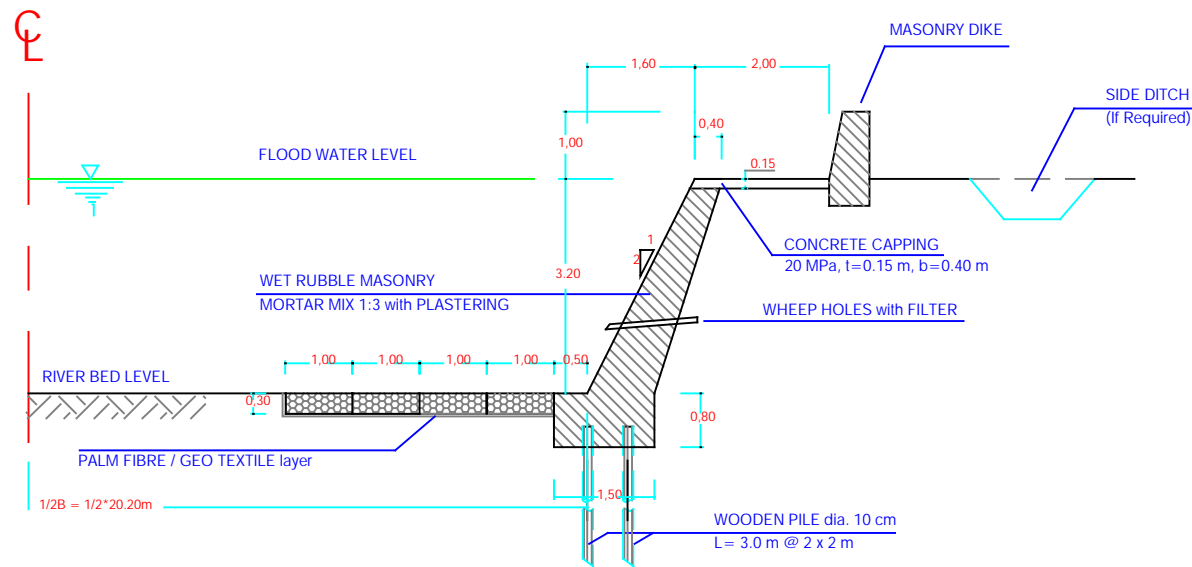
TYPE - 3A
SECTION : SD.07 - SD.09
WET RUBBLE MASONRY LINING WITH MASONRY DIKE, f=0.60m



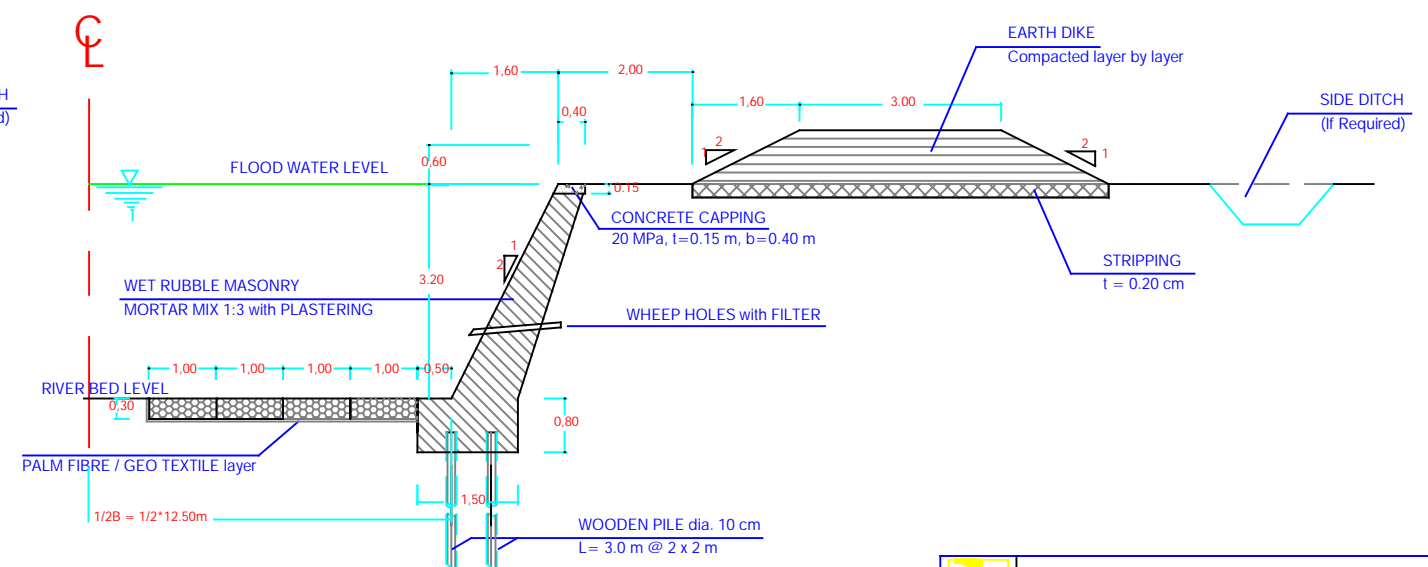
TYPE - 4A
SECTION : BOL.28 - BOL.38
WET RUBBLE MASONRY LINING WITH EARTH DIKE, f=0.60m



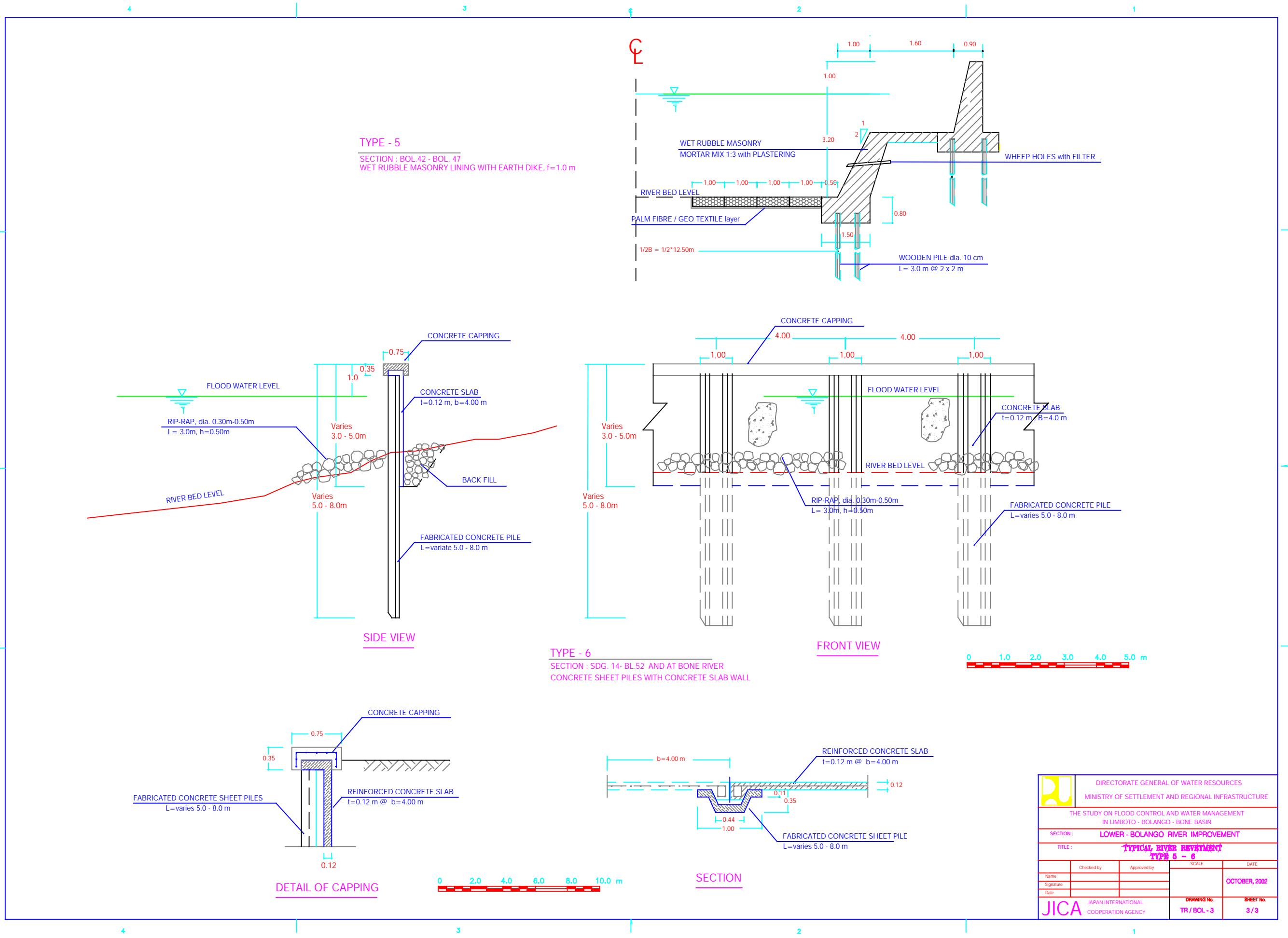
TYPE - 3B
SECTION : SD.10 - SD.14
WET RUBBLE MASONRY LINING WITH MASONRY DIKE, f=1.0 m




TYPE - 4B
SECTION : BOL.38 - BOL.47
WET RUBBLE MASONRY LINING WITH EARTH DIKE, f=1.0 m



	DIRECTORATE GENERAL OF WATER RESOURCES			
	MINISTRY OF SETTLEMENT AND REGIONAL INFRASTRUCTURE			
THE STUDY ON FLOOD CONTROL AND WATER MANAGEMENT IN LIMBOTO - BOLANGO - BONE BASIN				
SECTION : LOWER - BOLANGO RIVER IMPROVEMENT				
TITLE : TYPICAL RIVER REVELTMENT TYPE 3 - 4				
Checked by		Approved by		SCALE
Name		Name		DATE
Signature		Signature		OCTOBER, 2002
Date		Date		
JICA JAPAN INTERNATIONAL COOPERATION AGENCY		DRAWING No. TR/BOL - 2		SHEET No. 2 / 3



 DIRECTORATE GENERAL OF WATER RESOURCES MINISTRY OF SETTLEMENT AND REGIONAL INFRASTRUCTURE			
THE STUDY ON FLOOD CONTROL AND WATER MANAGEMENT IN LIMBOTO - BOLANGO - BONE BASIN			
SECTION : LOWER - BOLANGO RIVER IMPROVEMENT			
TITLE : TYPICAL RIVER REVELTMENT TYPE 5 - 6			
Checked by	Approved by	SCALE	DATE
Name			OCTOBER, 2002
Signature			
Date			
JICA JAPAN INTERNATIONAL COOPERATION AGENCY		DRAWING No. TR / BOL - 3	SHEET No. 3 / 3