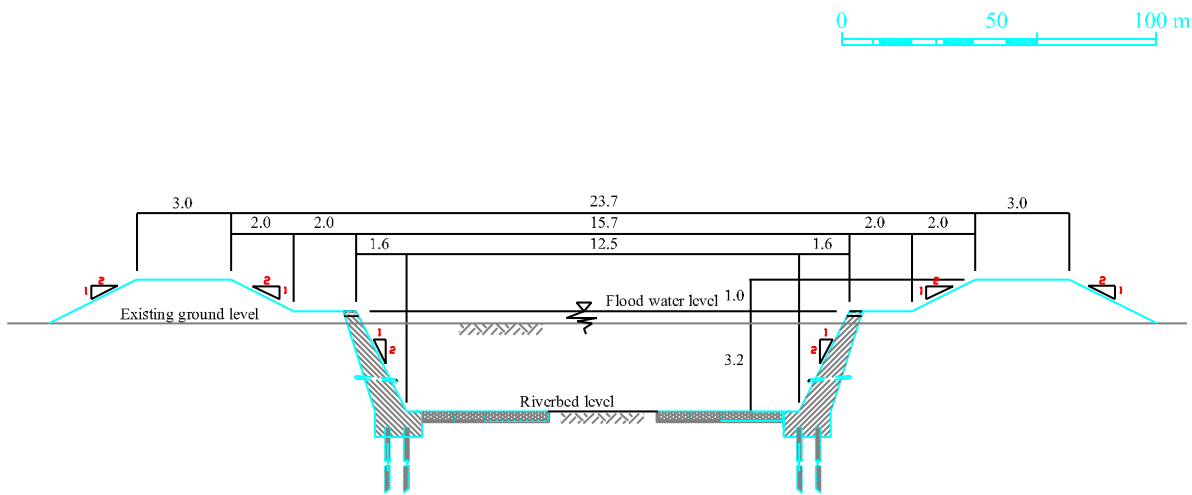
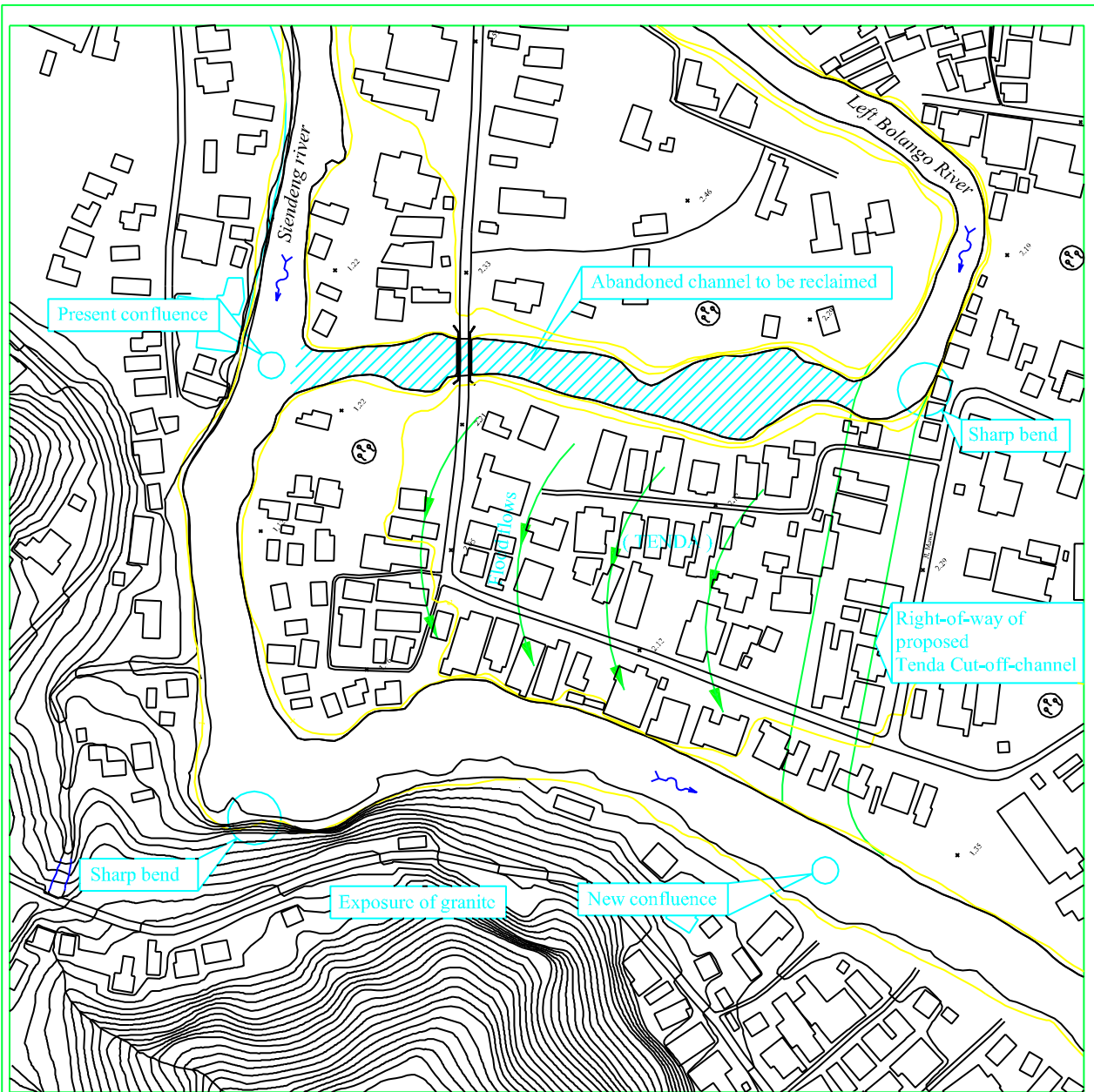


The Study on Flood Control  
and Water Management  
in Limboto-Bolango-Bone Basin  
in the Republic of Indonesia

Japan International Cooperation Agency

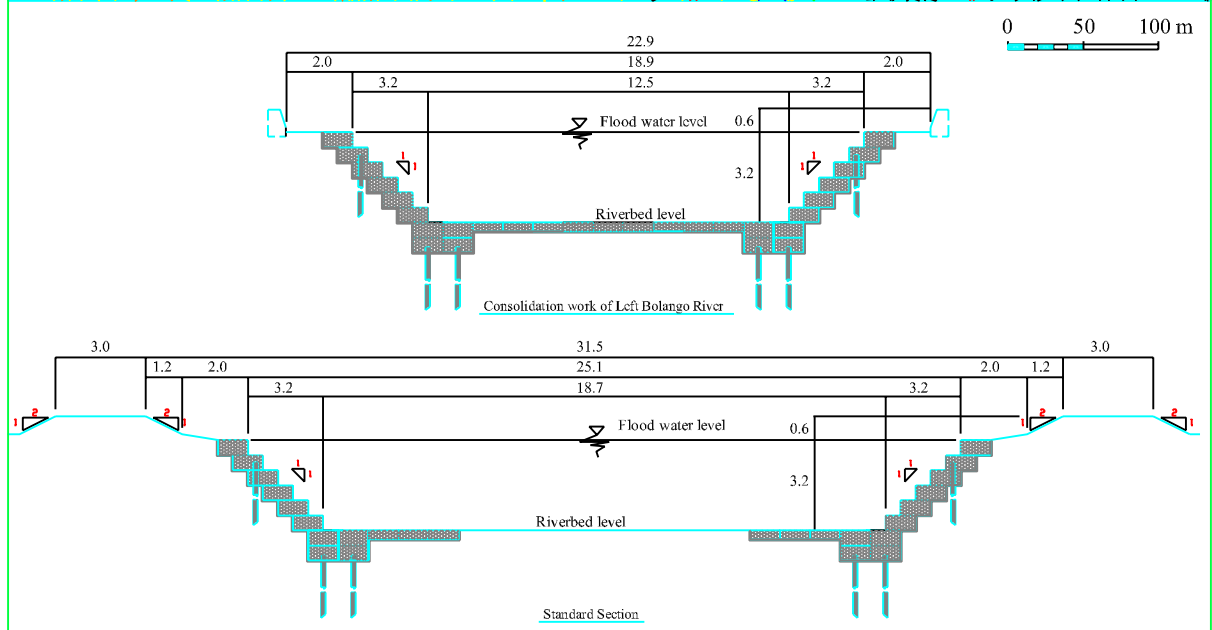
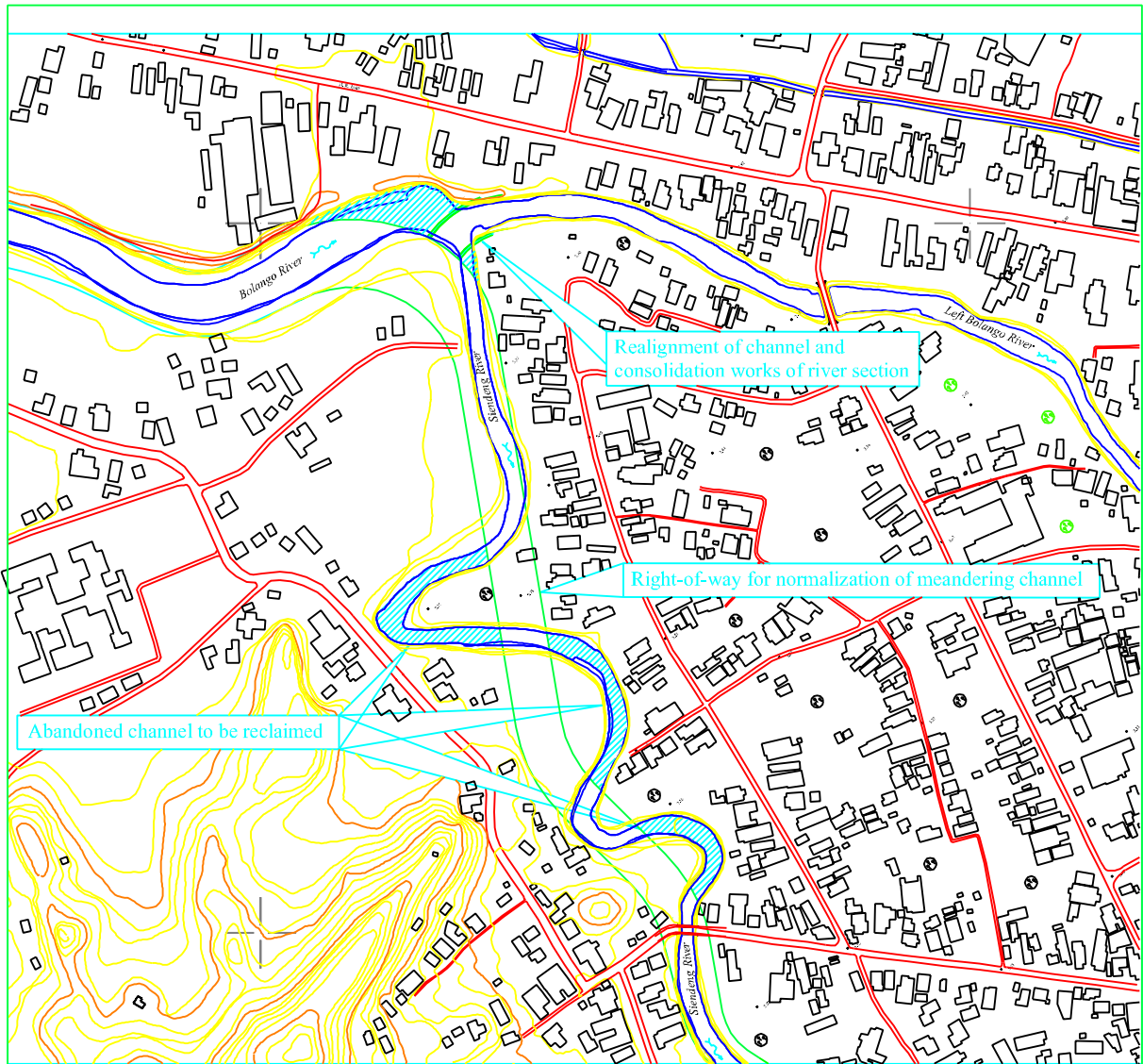
**Figure C3.2.5**  
**DESIGN PLAN OF BOLANGO RIVER (2/2)**



Standard COC Section

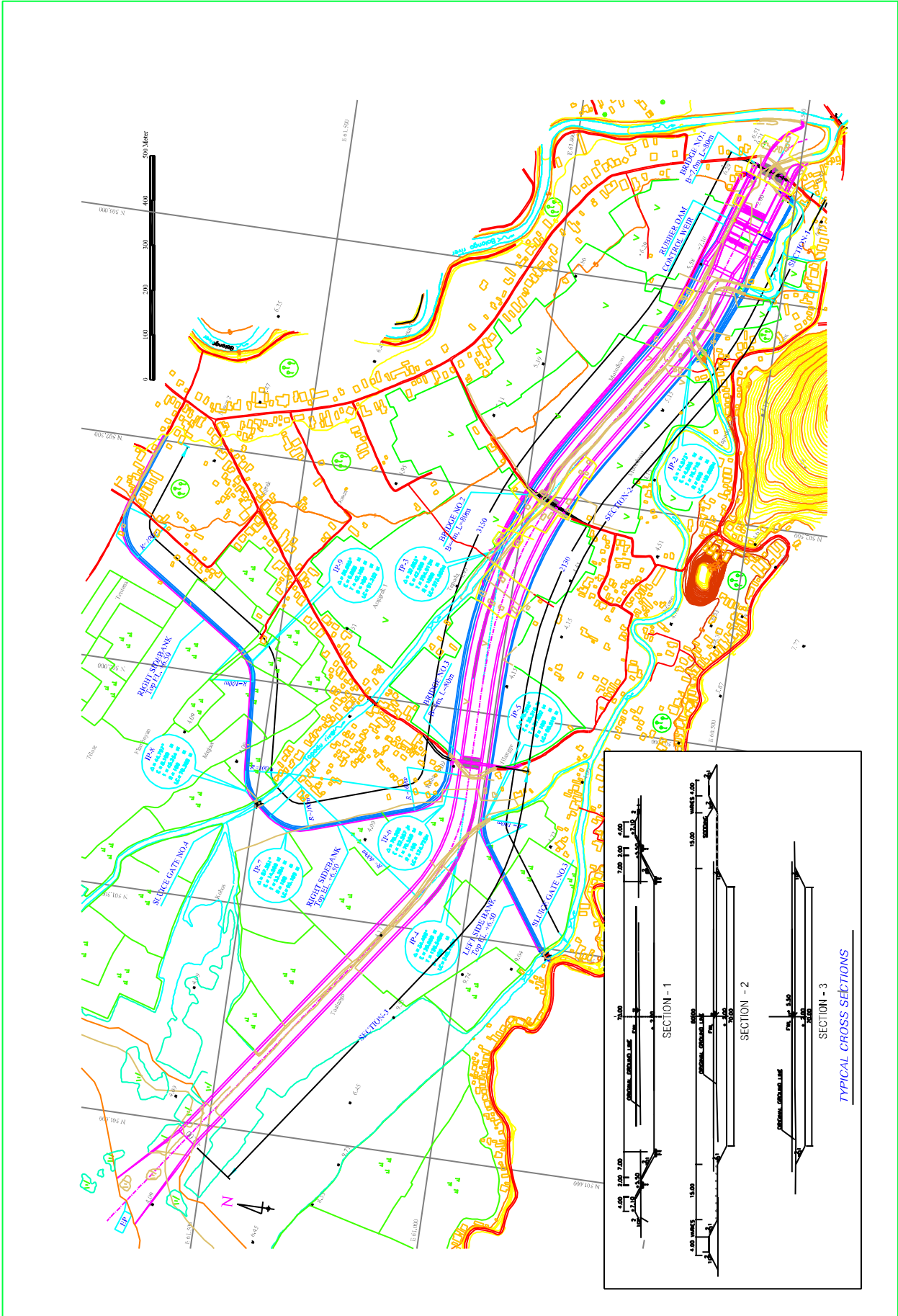
*The Study on Flood Control and Water Management in Limboto-Bolango-Bone Basin in the Republic of Indonesia*  
 Japan International Cooperation Agency

**Figure C3.2.6**  
**TENDA COC SCHEME**



*The Study on Flood Control and Water Management in Limboto-Bolongo-Bone Basin in the Republic of Indonesia*  
 Japan International Cooperation Agency

**Figure C3.2.7**  
**NORMALIZATION OF RIGHT BOLONGO RIVER**



*The Study on Flood Control  
and Water Management  
in Limboto-Bolango-Bone Basin  
in the Republic of Indonesia  
Japan International Cooperation Agency*

**Figure C3.3.1  
TAPODU RIVER IMPROVEMENT  
WITH TAPODU GATE**