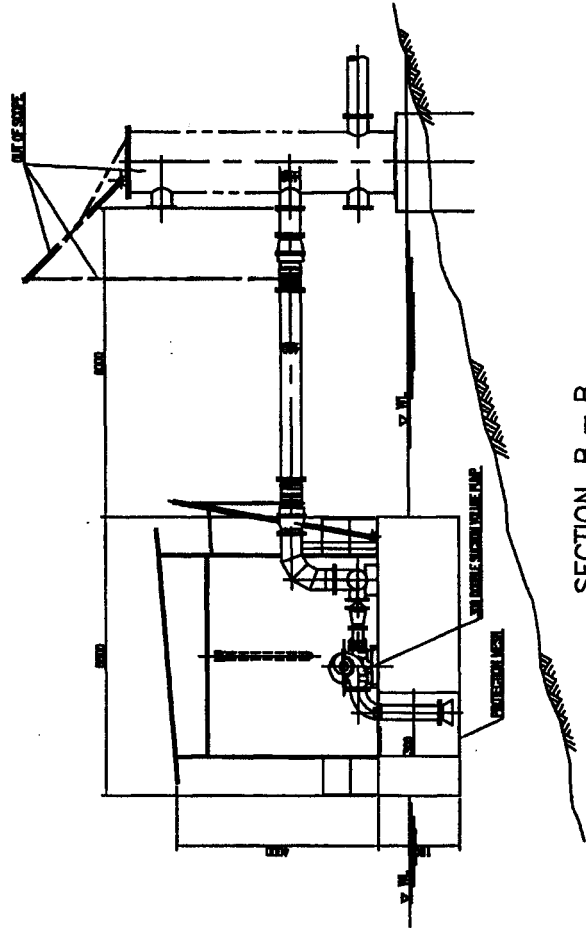
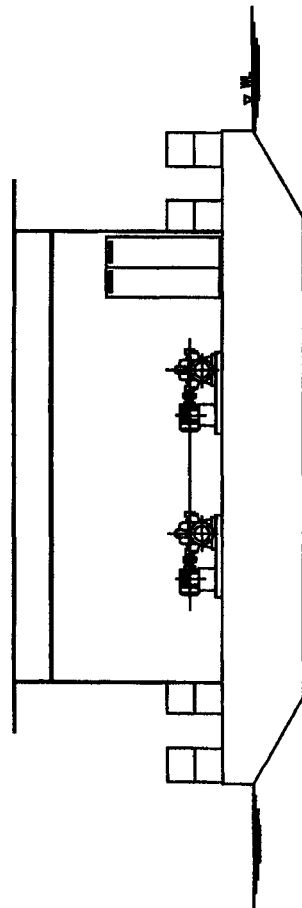


PLAN
S=1/100(S=1/50)



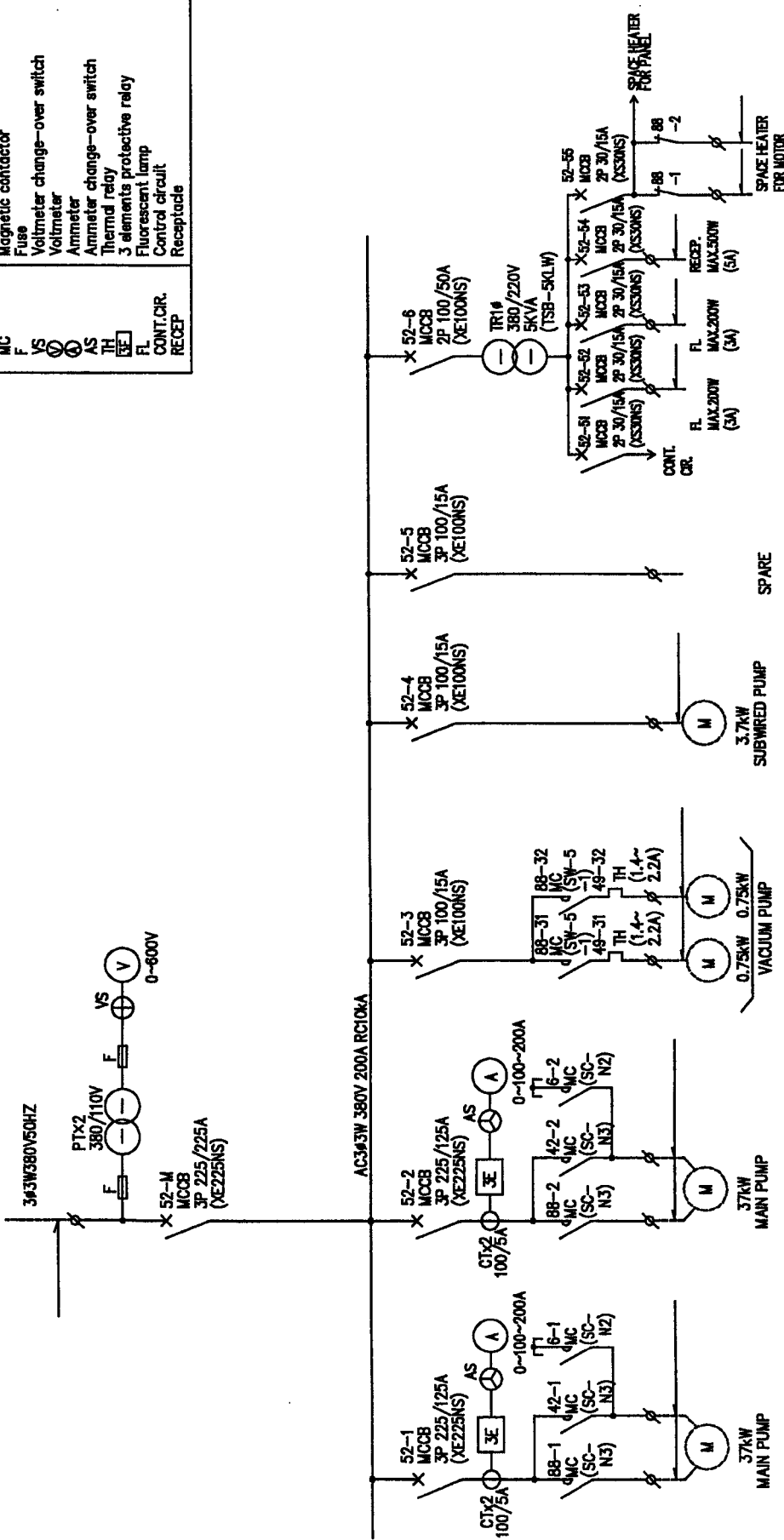
SECTION B - B
S=1/100(S=1/50)



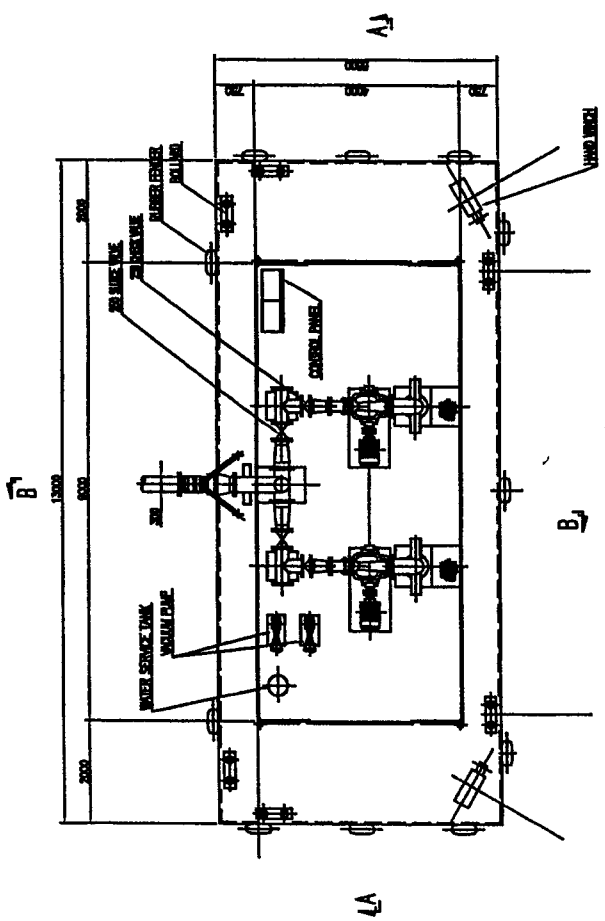
SECTION A - A
S=1/100(S=1/50)

No22 Sahel Alakaba Kebli

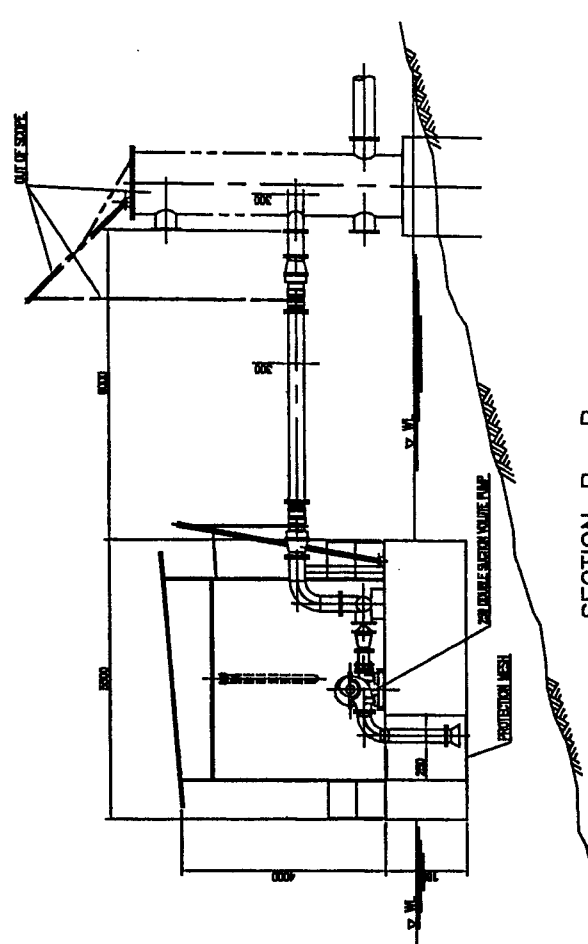
ABBREVIATIONS	
PT	Potential transformer
TR	Transformer
CT	Current transformer
MCCB	Molded case circuit breaker
MC	Magnetic contactor
F	Fuse
VS	Voltmeter change-over switch
V	Voltmeter
AS	Ammeter
AS	Ammeter change-over switch
TRM	Thermal relay
3E	3 elements protective relay
FL	Fluorescent lamp
CONT. CR.	Control circuit
RECEP.	Receptacle



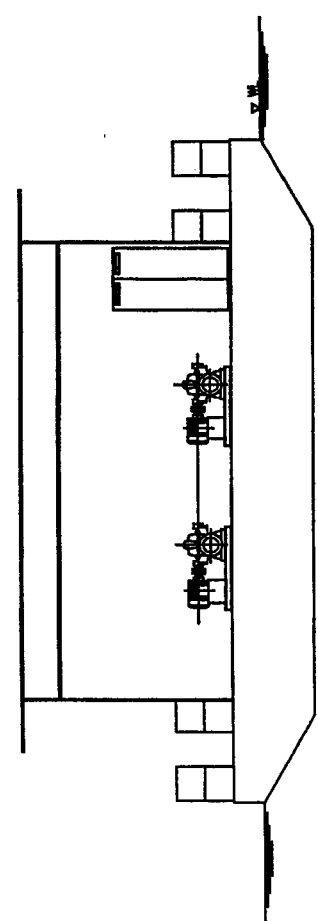
No.22 P/S SCHEMATIC DIAGRAM



PLAN
S=1/100(S=1/50)



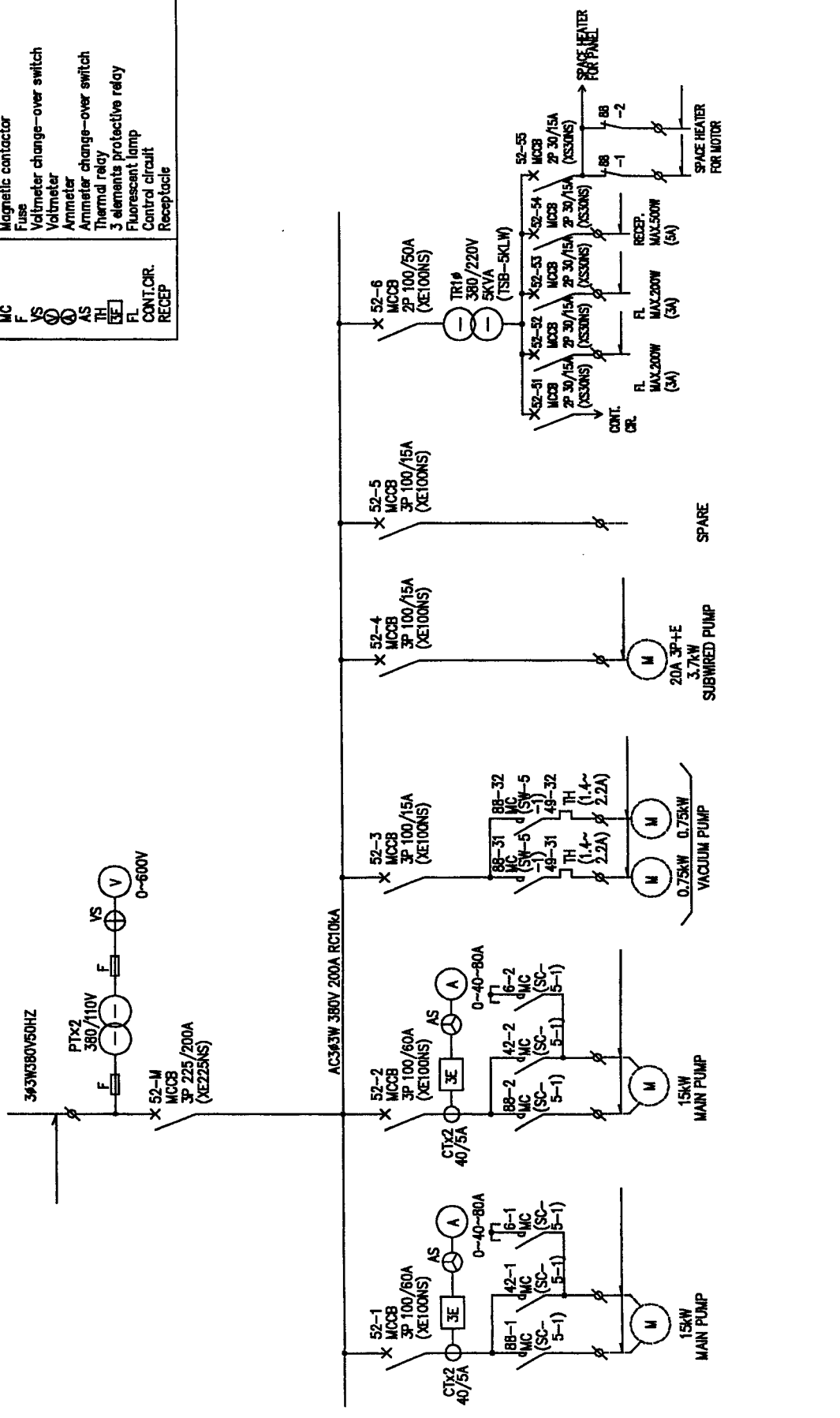
SECTION B - B
S=1/100(S=1/50)



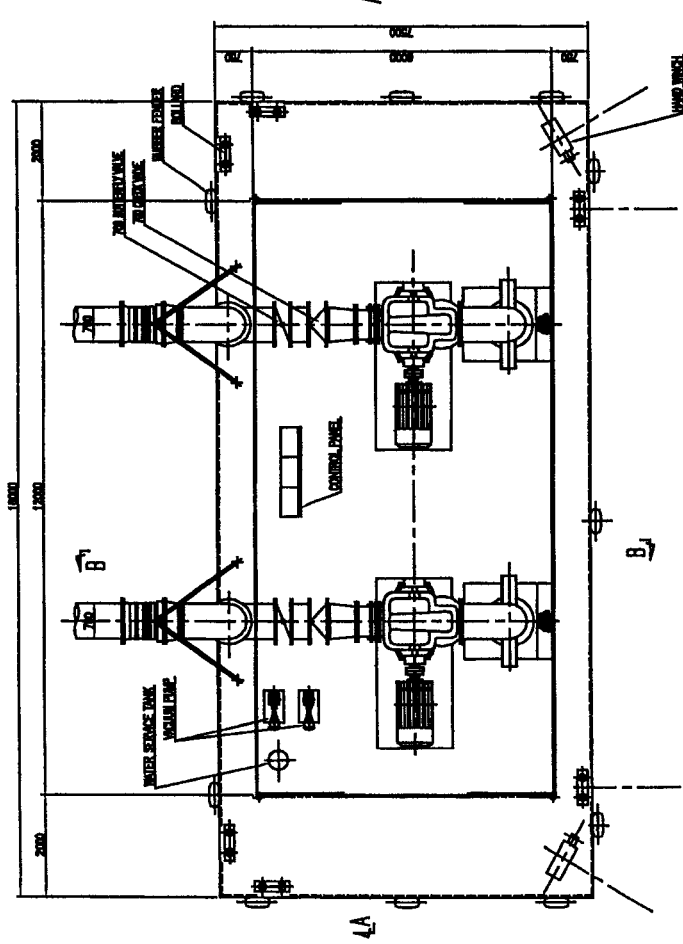
SECTION A - A
S=1/100(S=1/50)

No23 Al Rakikin Sahel

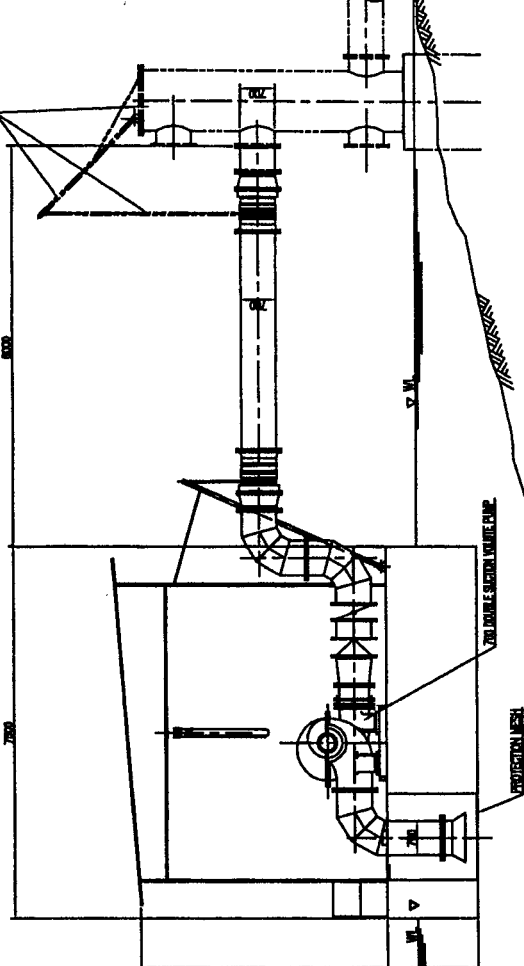
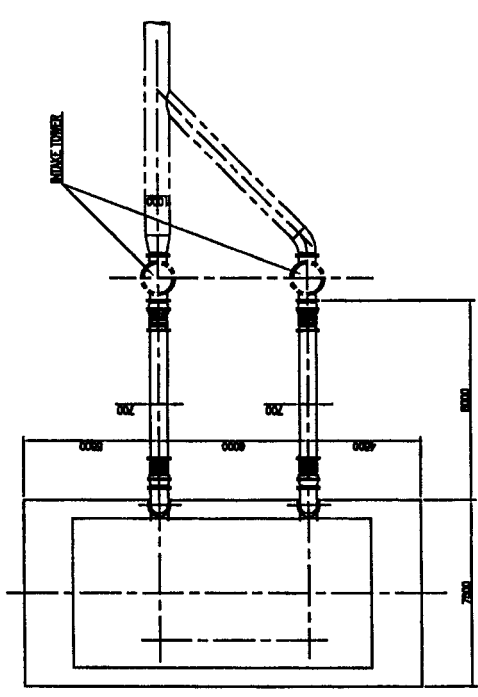
ABBREVIATIONS	
PT	Potential transformer
TR	Transformer
CT	Current transformer
MCCB	Molded case circuit breaker
MC	Magnetic contactor
F	Fuse
VS	Voltmeter change-over switch
V	Voltmeter
AS	Ammeter
TH	Thermal relay
SE	3 elements protective relay
FL	Fluorescent lamp
CONT. CIR.	Control circuit
RECEP.	Receptacle



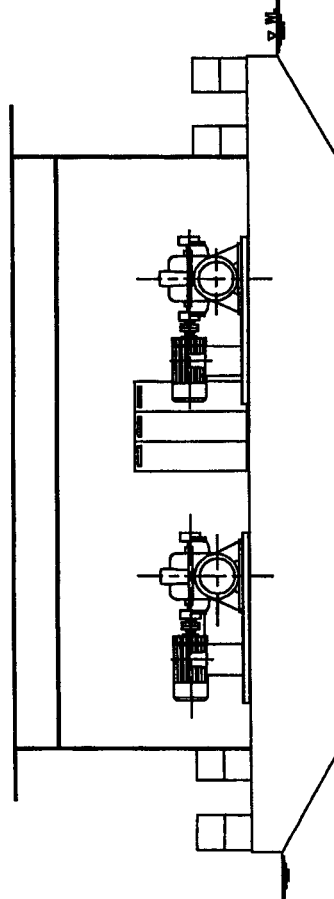
No.23 P/S SCHEMATIC DIAGRAM



PLAN
S=1/100(S=1/50)



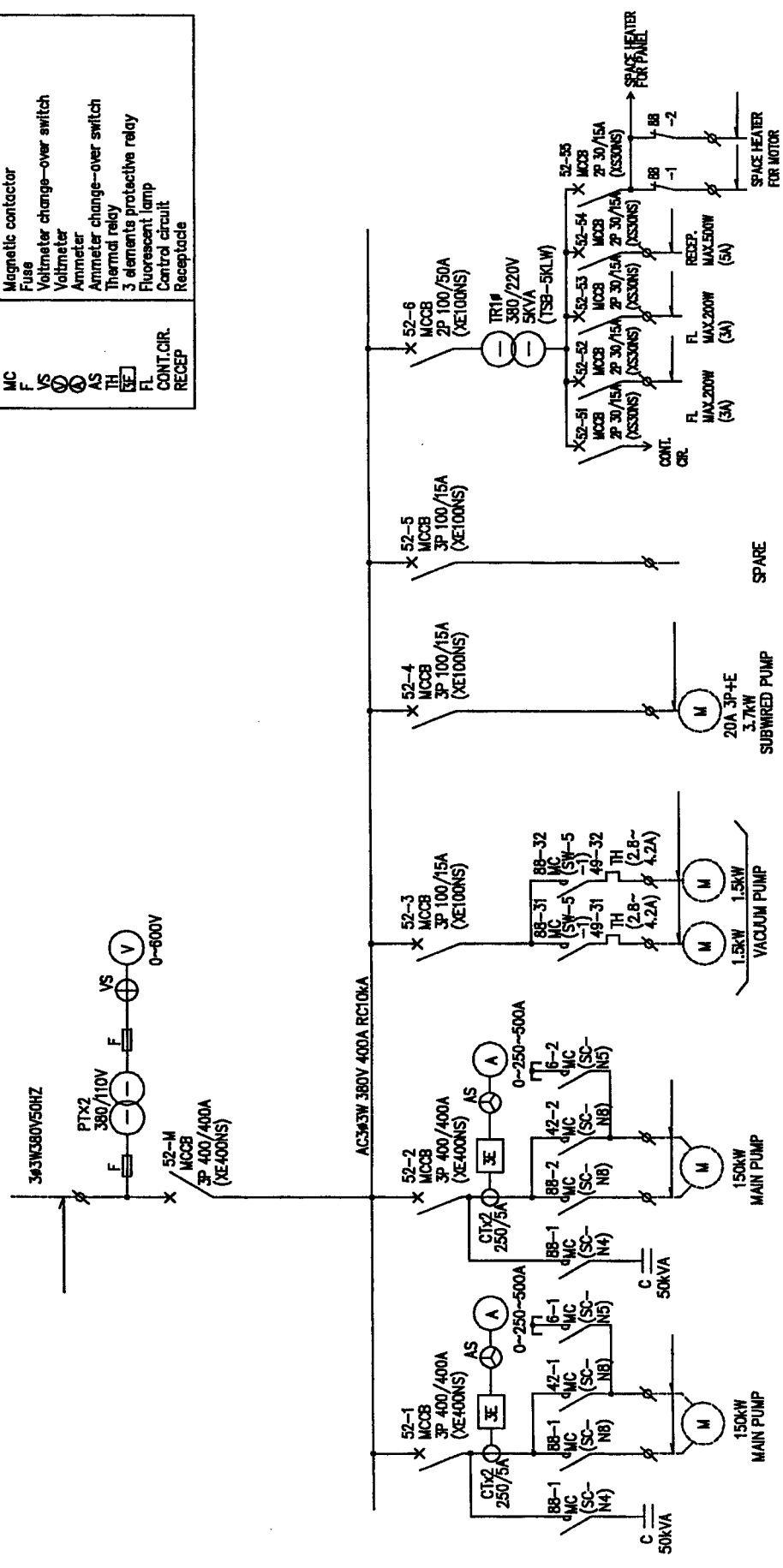
SECTION B - B
S=1/100(S=1/50)



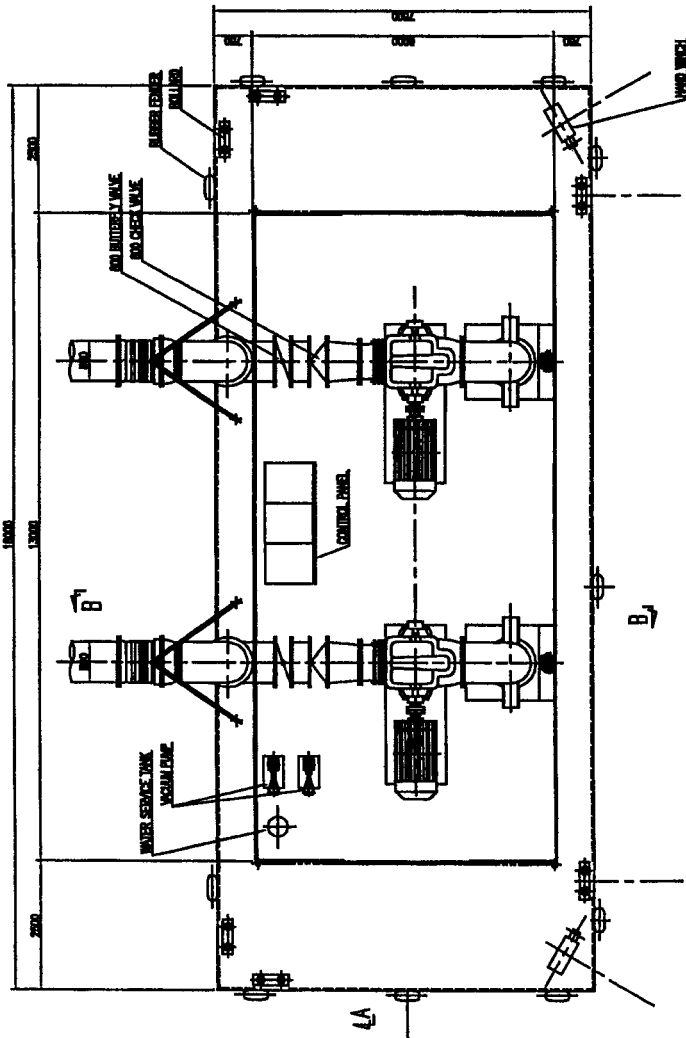
SECTION A - A
S=1/100(S=1/50)

No24 Blower

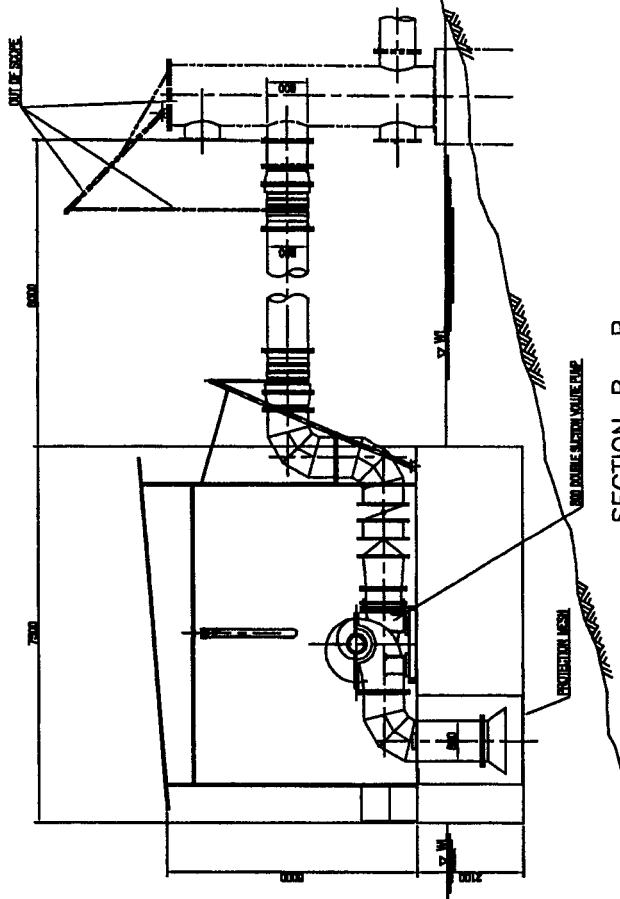
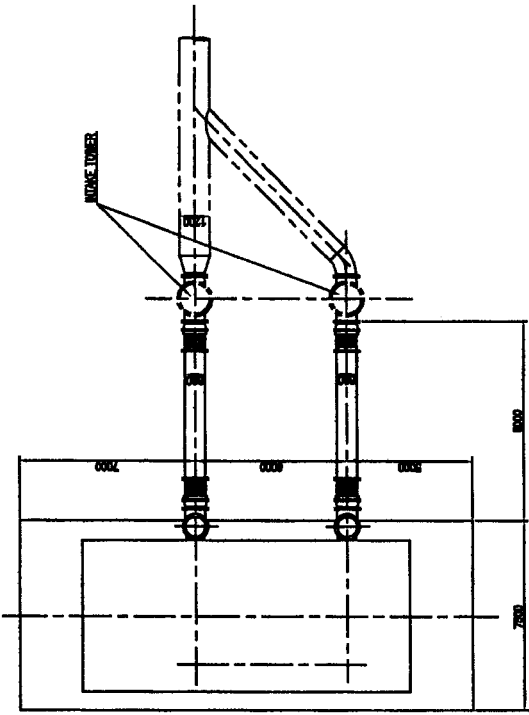
ABBREVIATIONS	
PT	Potential transformer
TR	Transformer
CT	Current transformer
MCCB	Molded case circuit breaker
MC	Magnetic contactor
F	Fuse
VS	Voltmeter change-over switch
V	Voltmeter
AS	Ammeter
TH	Thermal relay
3E	3 elements protective relay
FL	Fluorescent lamp
CONT.CIR.	Control circuit
RECEP	Receptacle



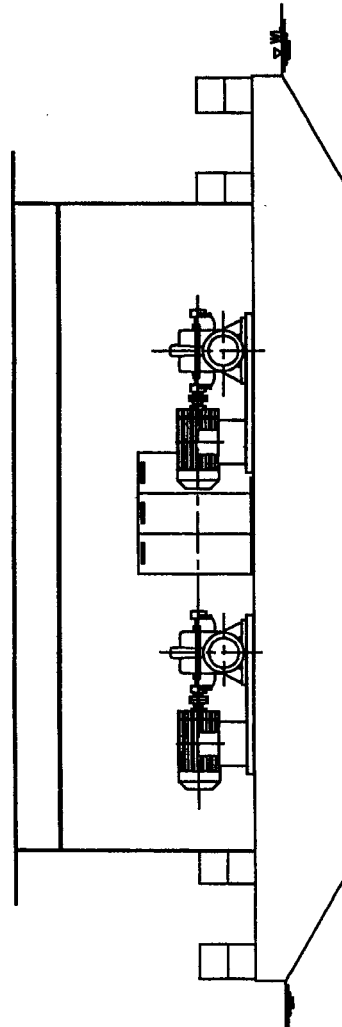
No.24 P/S SCHEMATIC DIAGRAM



PLAN
S=1/100(S=1/50)



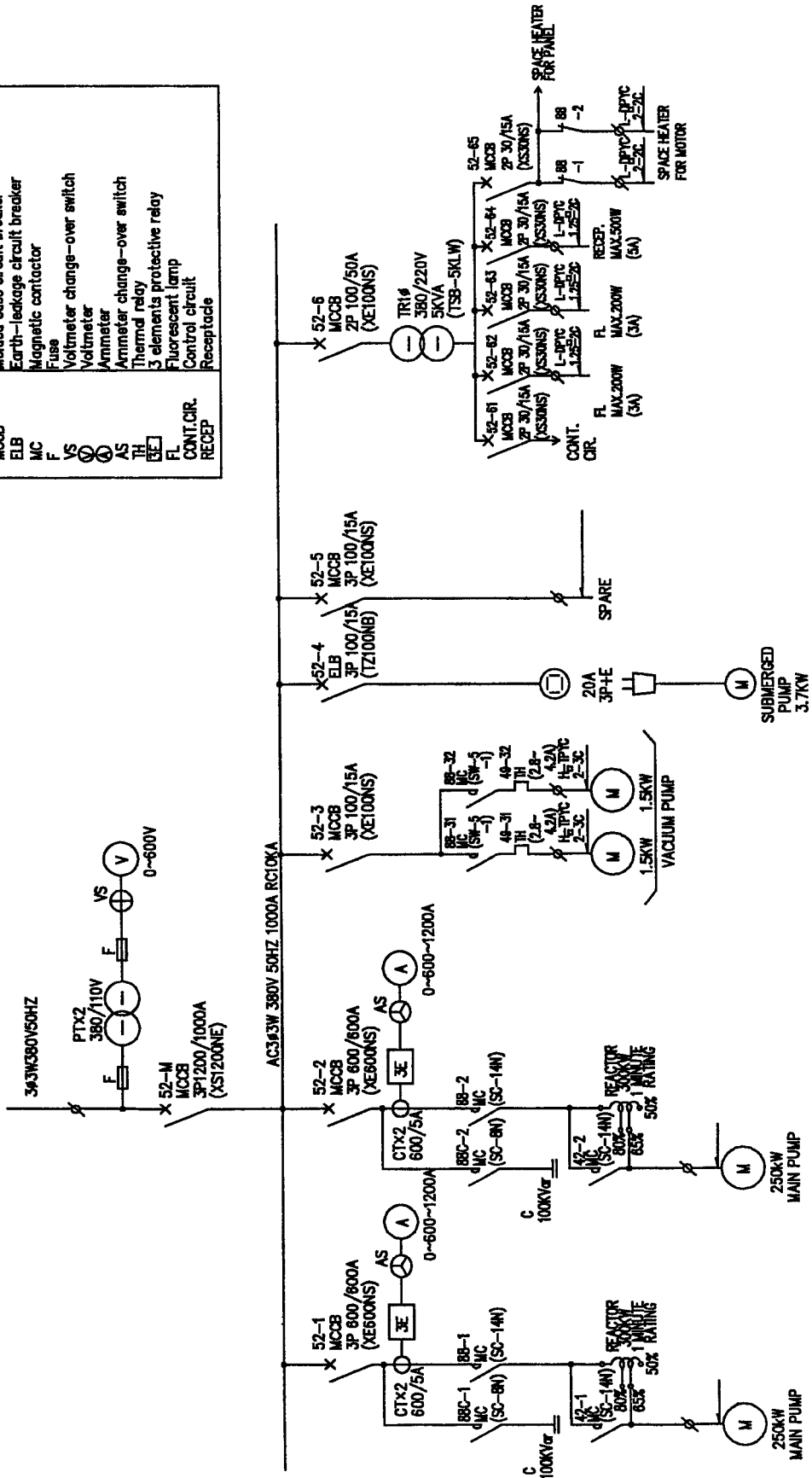
SECTION B - B
S=1/100(S=1/50)



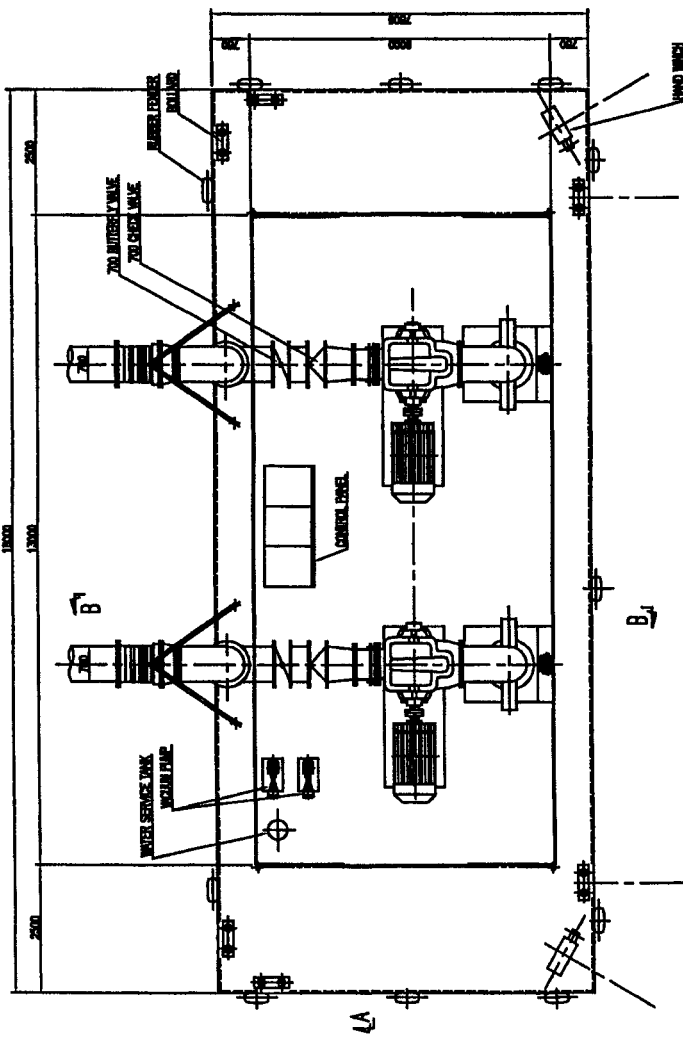
SECTION A - A
S=1/100(S=1/50)

No25 El Chorera

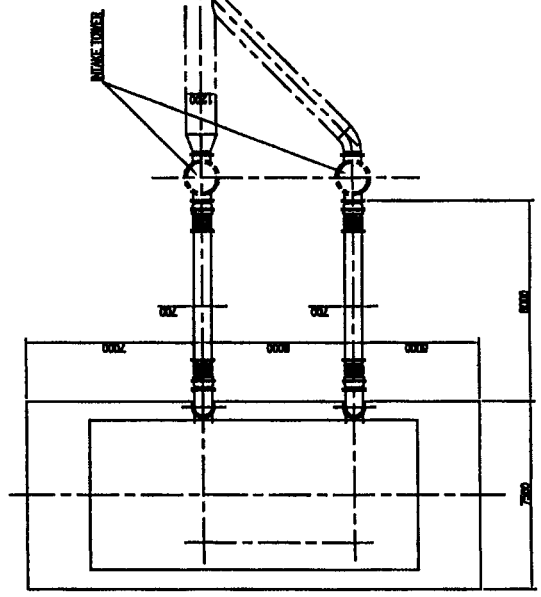
ABBREVIATIONS	
PT	Potential transformer
TR	Transformer
CT	Current transformer
MCCB	Molded case circuit breaker
ELB	Earth-leakage circuit breaker
MC	Magnetic contactor
F	Fuse
VS	Voltmeter change-over switch
V	Voltmeter
AS	Ammeter
AS	Ammeter change-over switch
TR	Thermal relay
TR	3 elements protective relay
FL	Fluorescent lamp
CONT. CIR.	Control circuit
RECEP.	Receptacle



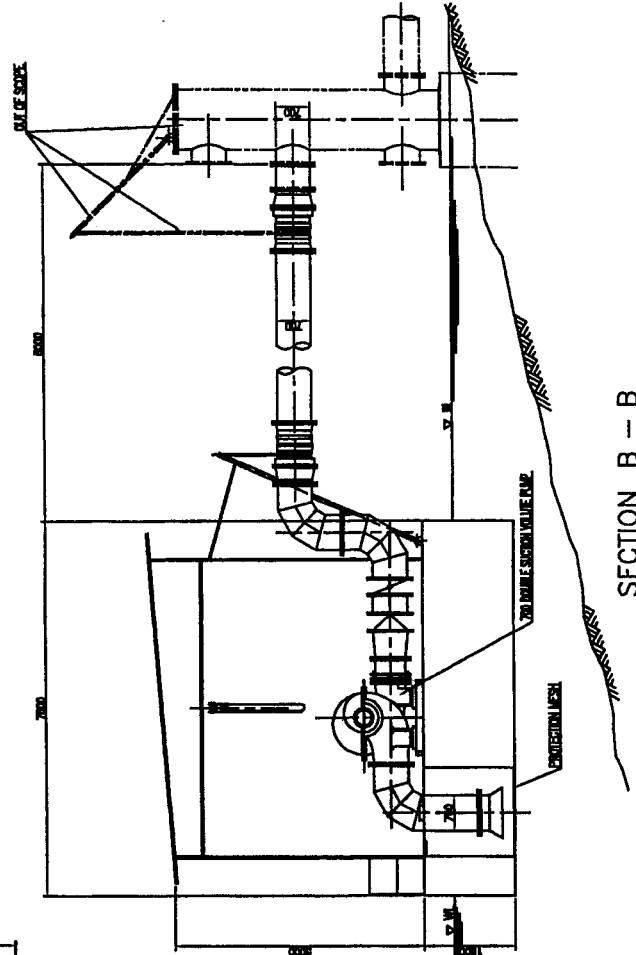
No.25 P/S SCHEMATIC DIAGRAM



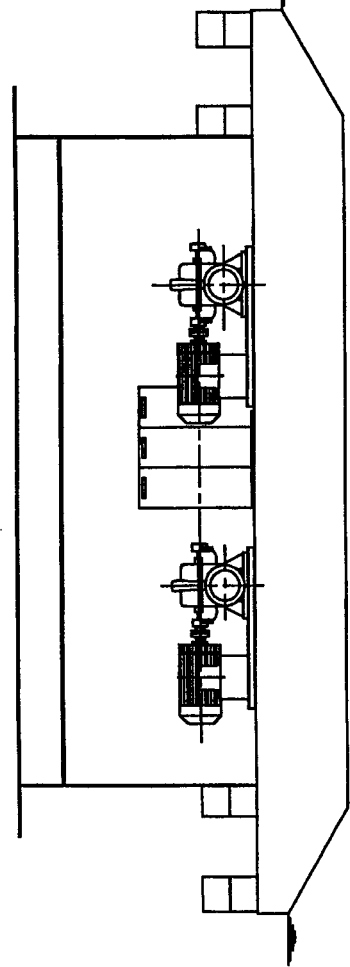
PLAN
S=1/100(S=1/50)



A1



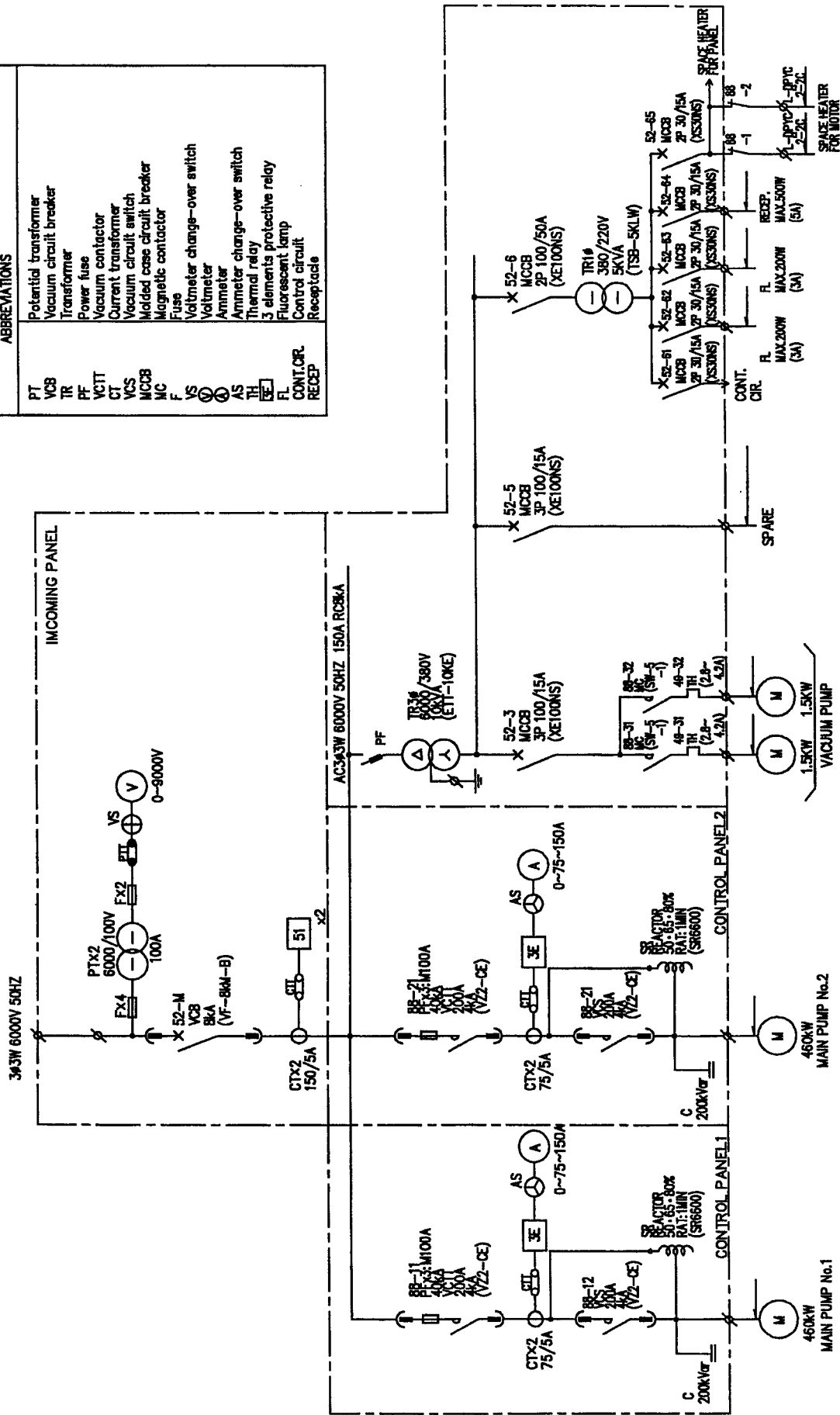
SECTION B -- B
S=1/100(S=1/50)



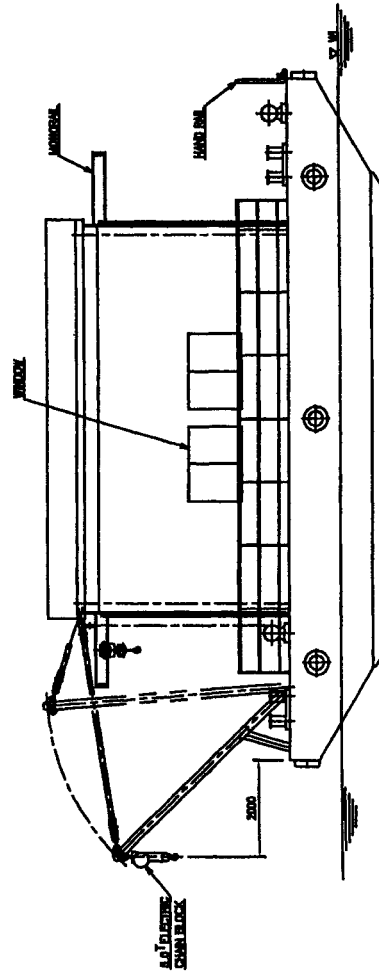
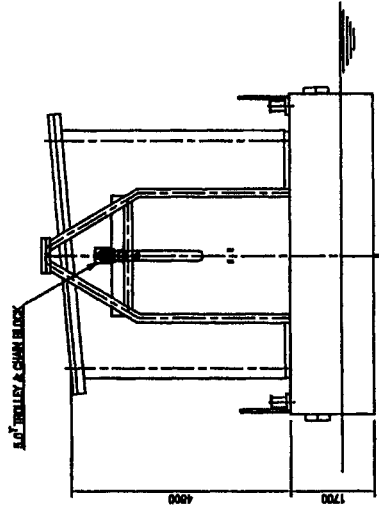
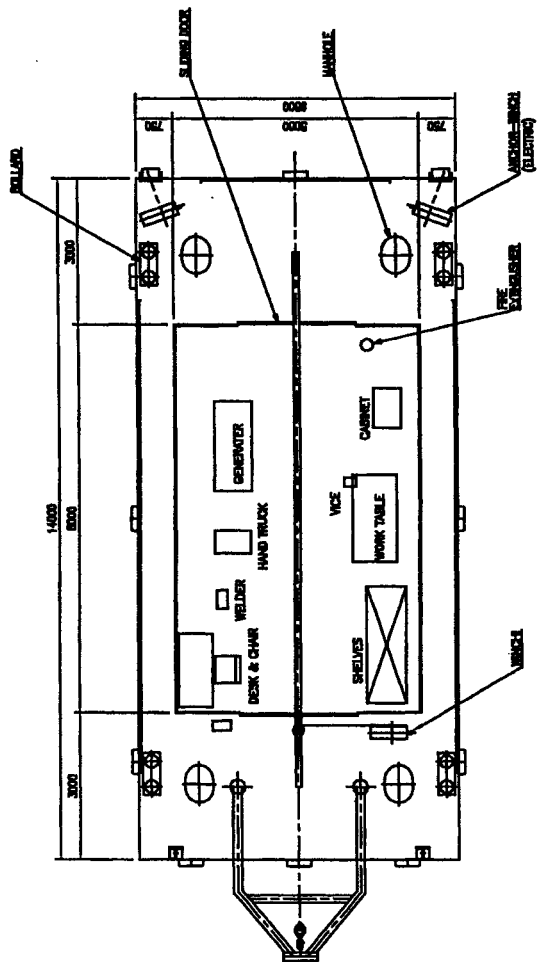
SECTION A -- A
S=1/100(S=1/50)

No26 El Biadiea El Oliia

ABBREVIATIONS	
PT	Potential transformer
VCB	Vacuum circuit breaker
TR	Transformer
PF	Power fuse
VCIT	Vacuum contactor
CT	Current transformer
VCS	Vacuum circuit switch
MCCB	Molded case circuit breaker
MC	Magnetic contactor
F	Fuse
VS	Voltmeter change-over switch
V	Voltmeter
AS	Ammeter
AS	Ammeter change-over switch
TR	Thermal relay
TH	3 elements protective relay
FL	Fluorescent lamp
CONT.CIR.	Control circuit
RECEP	Receptacle



No.26 P/S SCHEMATIC DIAGRAM



Maintenance Barge

S=1/100