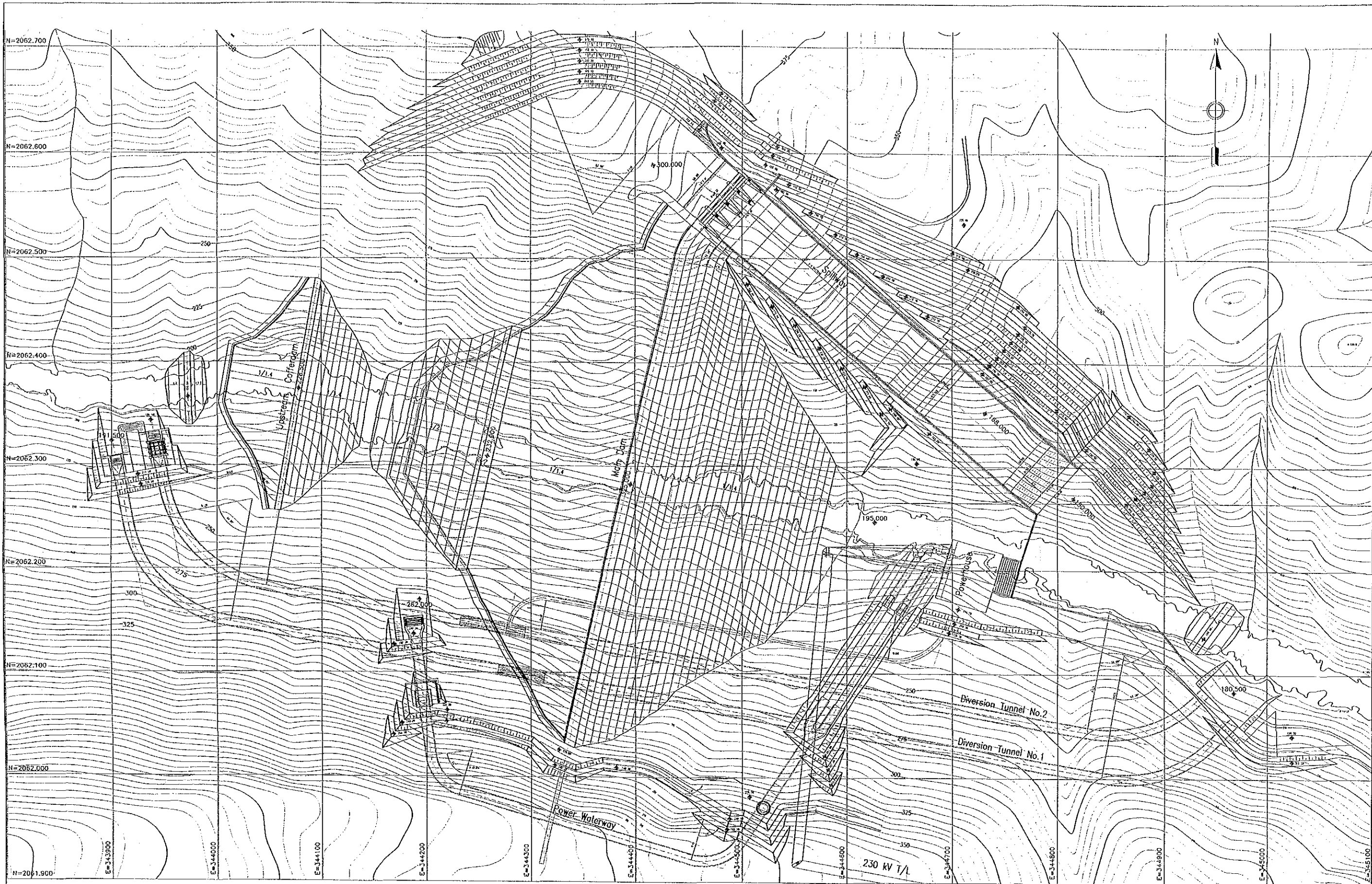


FEASIBILITY STUDY
ON
THE NAM NGIEP-I HYDROELECTRIC POWER PROJECT (Phase II)
IN
THE LAO PEOPLE'S DEMOCRATIC REPUBLIC

FINAL REPORT
VOLUME 2 : EXECUTIVE SUMMARY

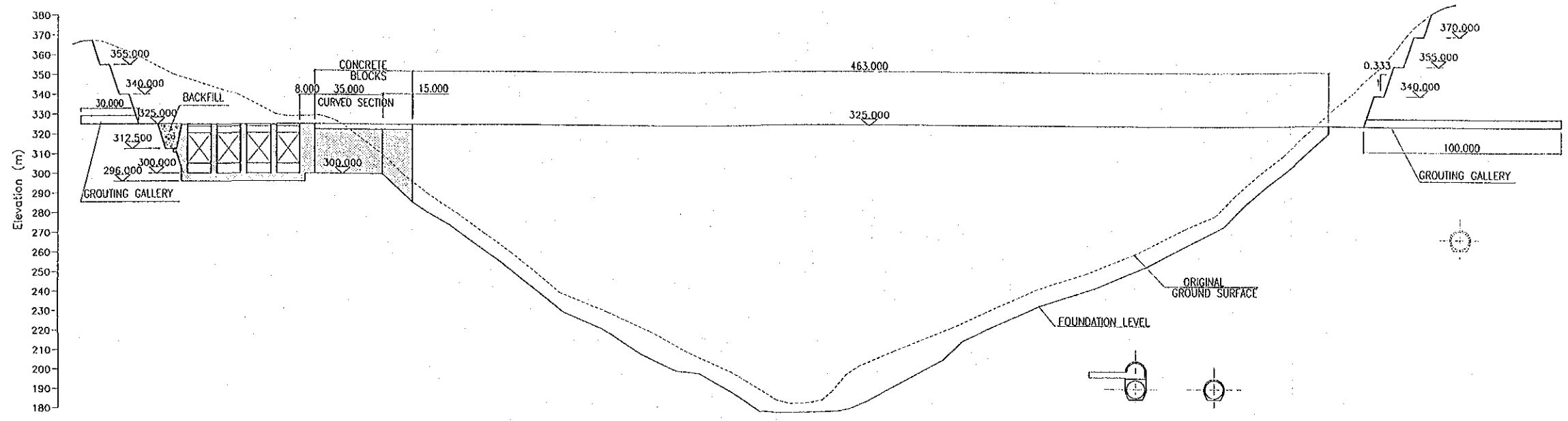
DRAWINGS



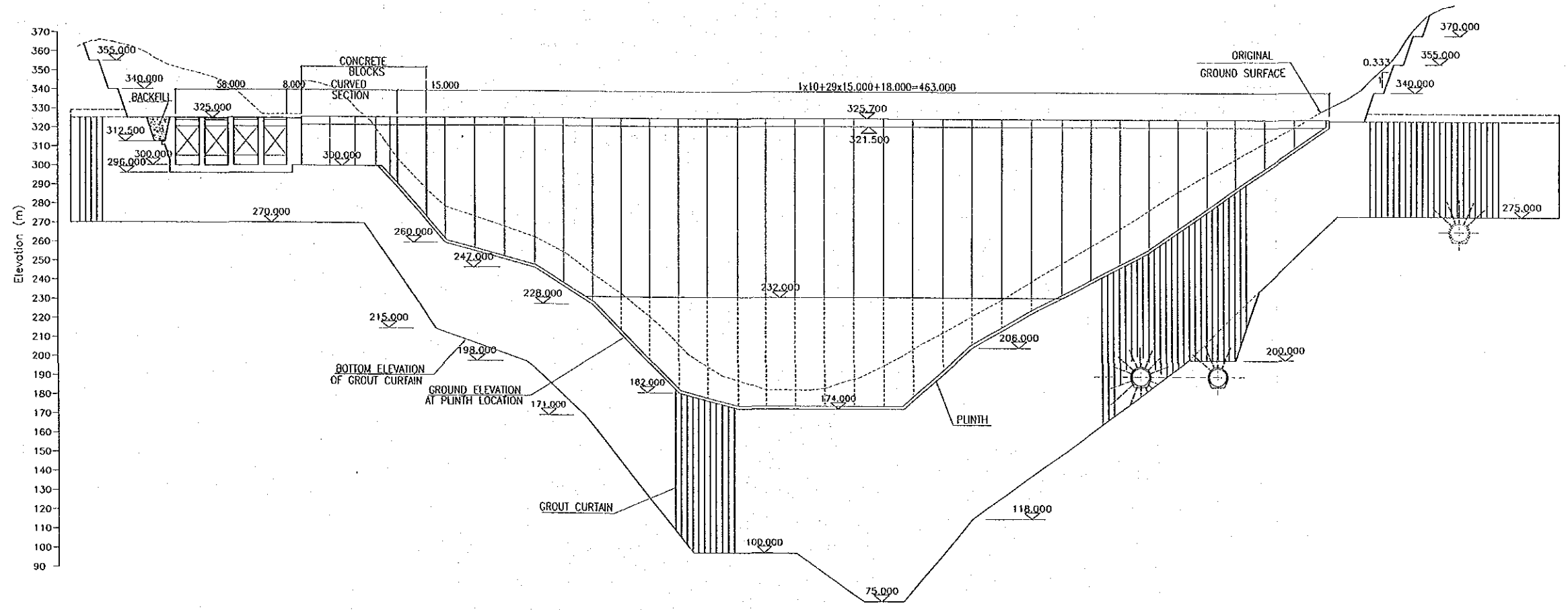
SCALE 0 100m

FEASIBILITY STUDY
 ON THE NAM NGIEP-1 HYDROELECTRIC POWER PROJECT (Phase II)
 IN THE LAO PEOPLE'S DEMOCRATIC REPUBLIC
 JAPAN INTERNATIONAL COOPERATION AGENCY

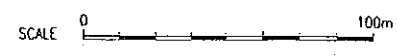
DWG. 01
 Main Dam, General Plan



LONGITUDINAL SECTION ALONG THE REFERENCE LINE

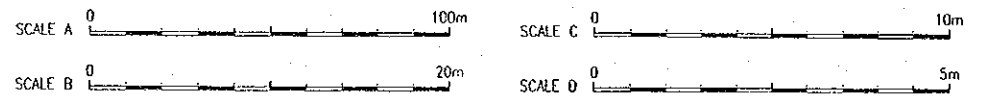
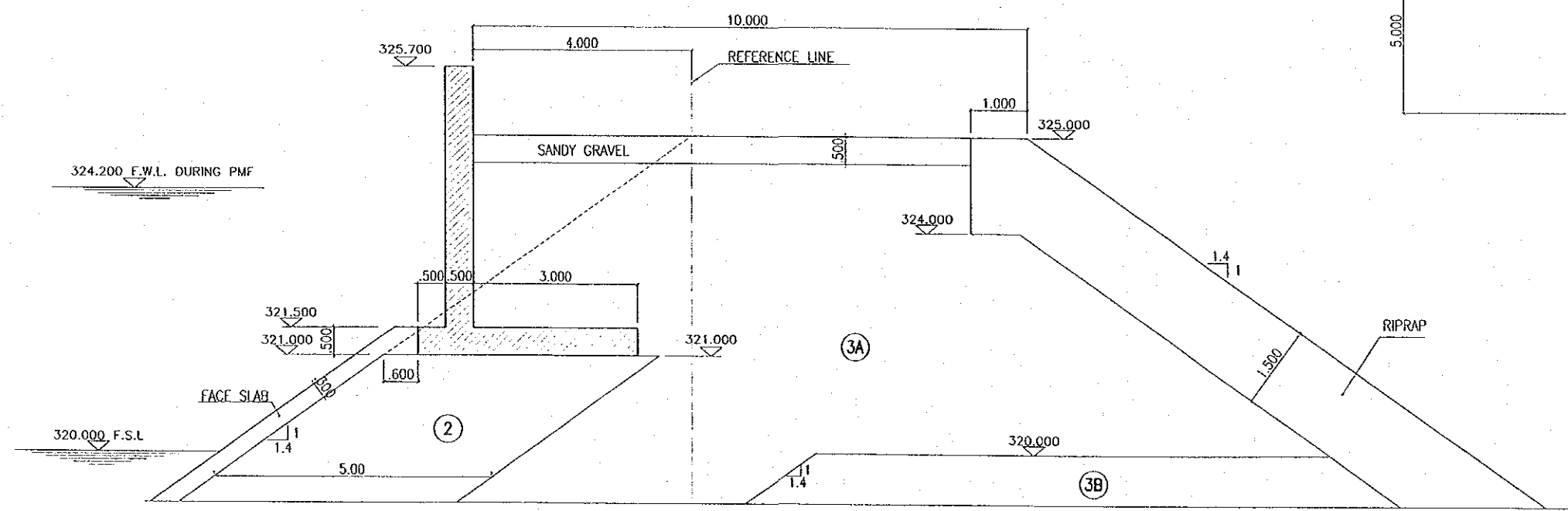
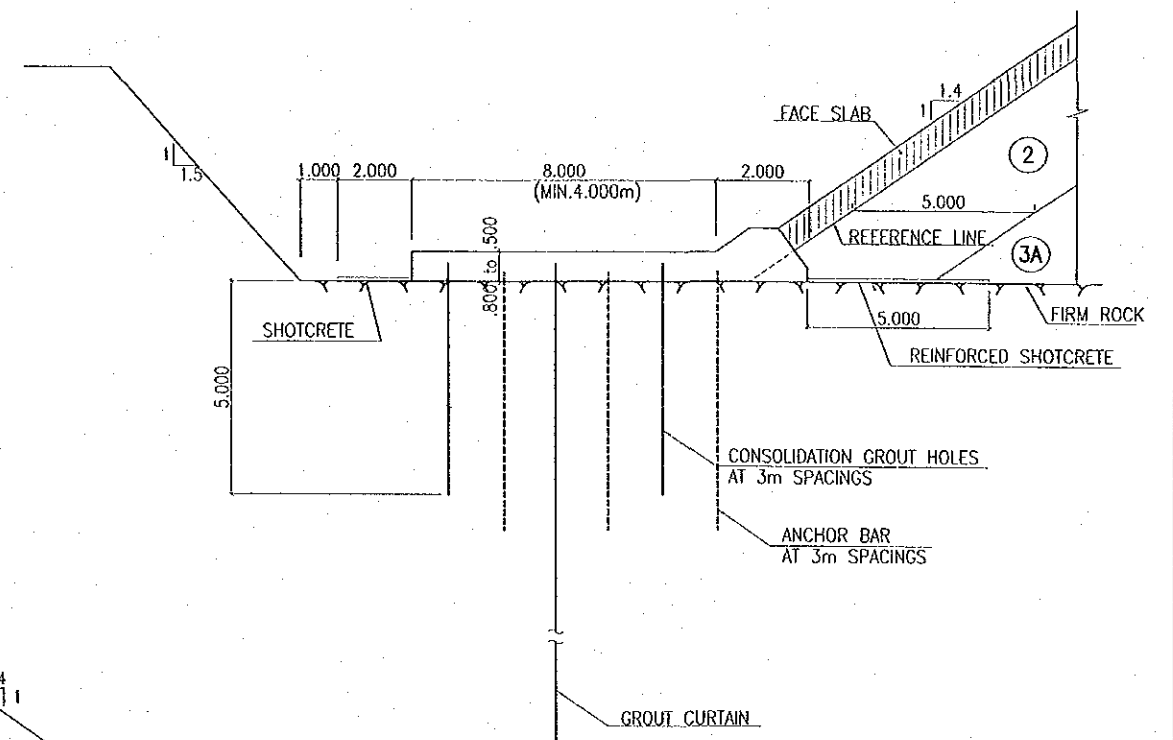
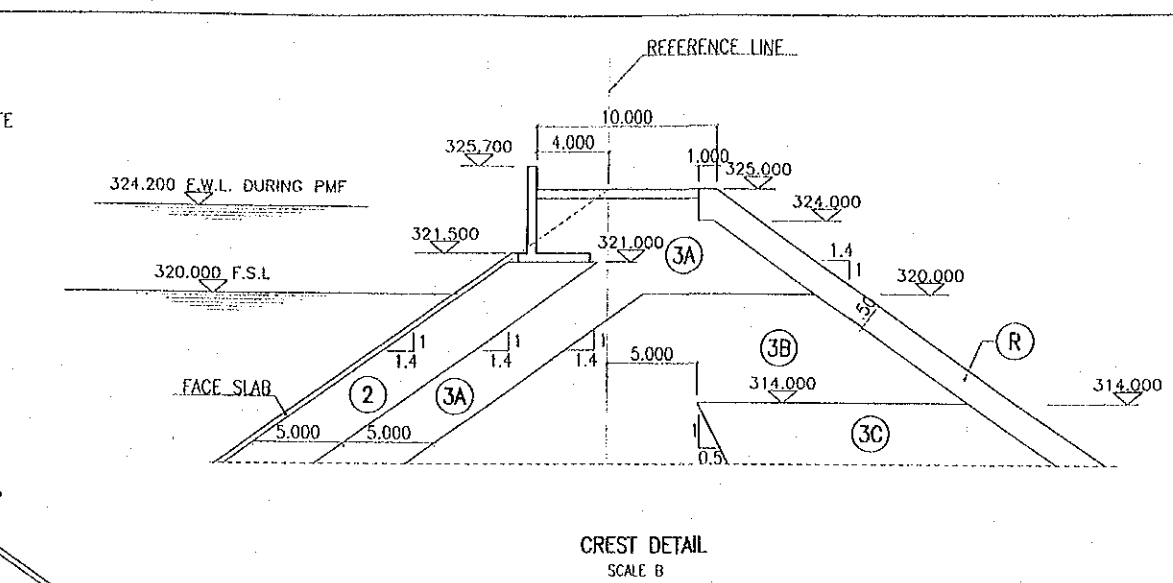
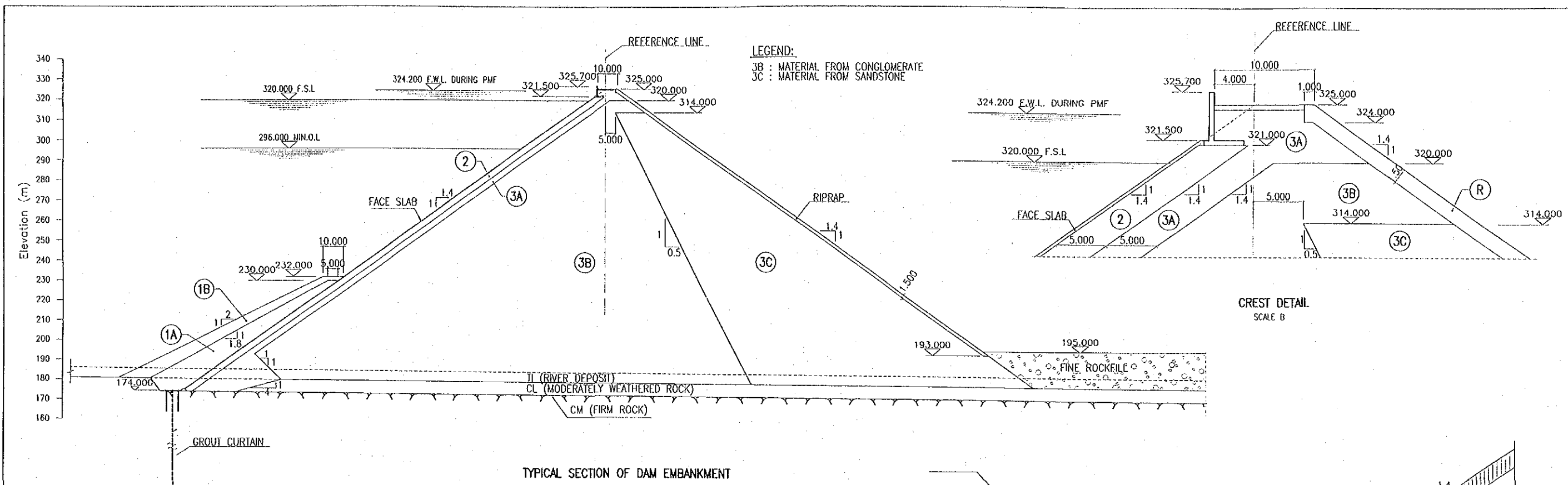


FRONT ELEVATION



FEASIBILITY STUDY
 ON THE NAM NGIEP-I HYDROELECTRIC POWER PROJECT (Phase II)
 IN THE LAO PEOPLE'S DEMOCRATIC REPUBLIC
 JAPAN INTERNATIONAL COOPERATION AGENCY

DWG. 02
 Main Dam, Longitudinal Section
 and Front Elevation



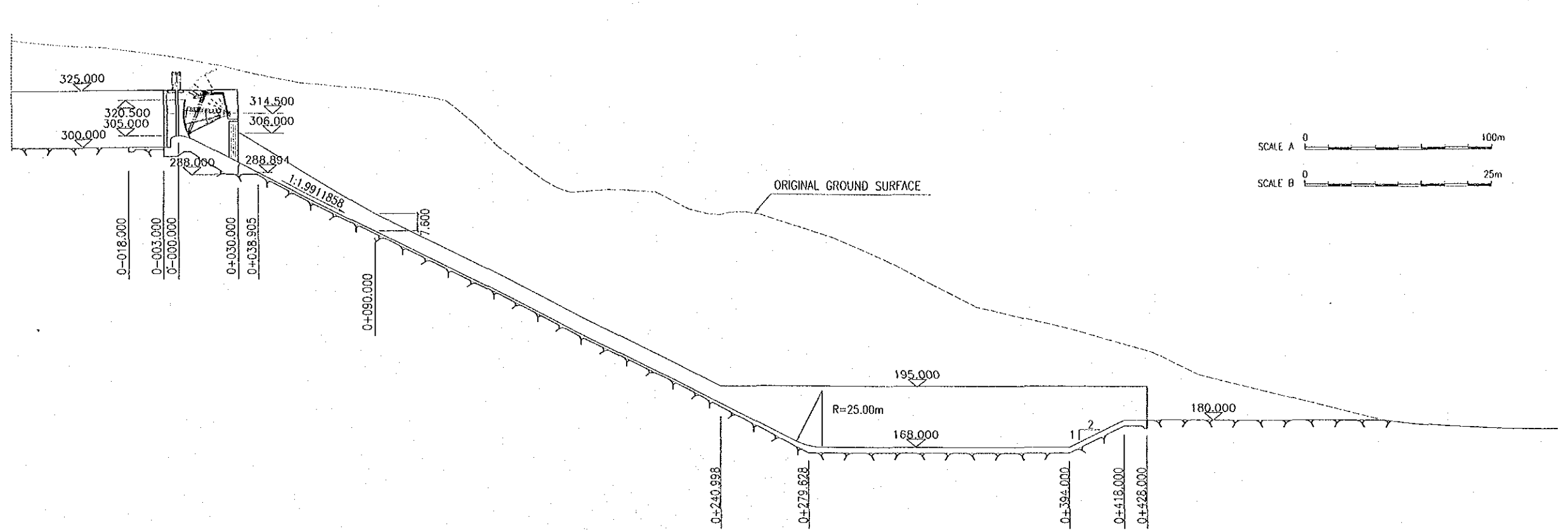
LEGEND:
3B : MATERIAL FROM CONGLOMERATE
3C : MATERIAL FROM SANDSTONE

FEASIBILITY STUDY
ON THE NAM NGIEP-I HYDROELECTRIC POWER PROJECT (Phase II)
IN THE LAO PEOPLE'S DEMOCRATIC REPUBLIC
JAPAN INTERNATIONAL COOPERATION AGENCY

DWG. 03
Main Dam, Typical Section and Details

Elevation (m)

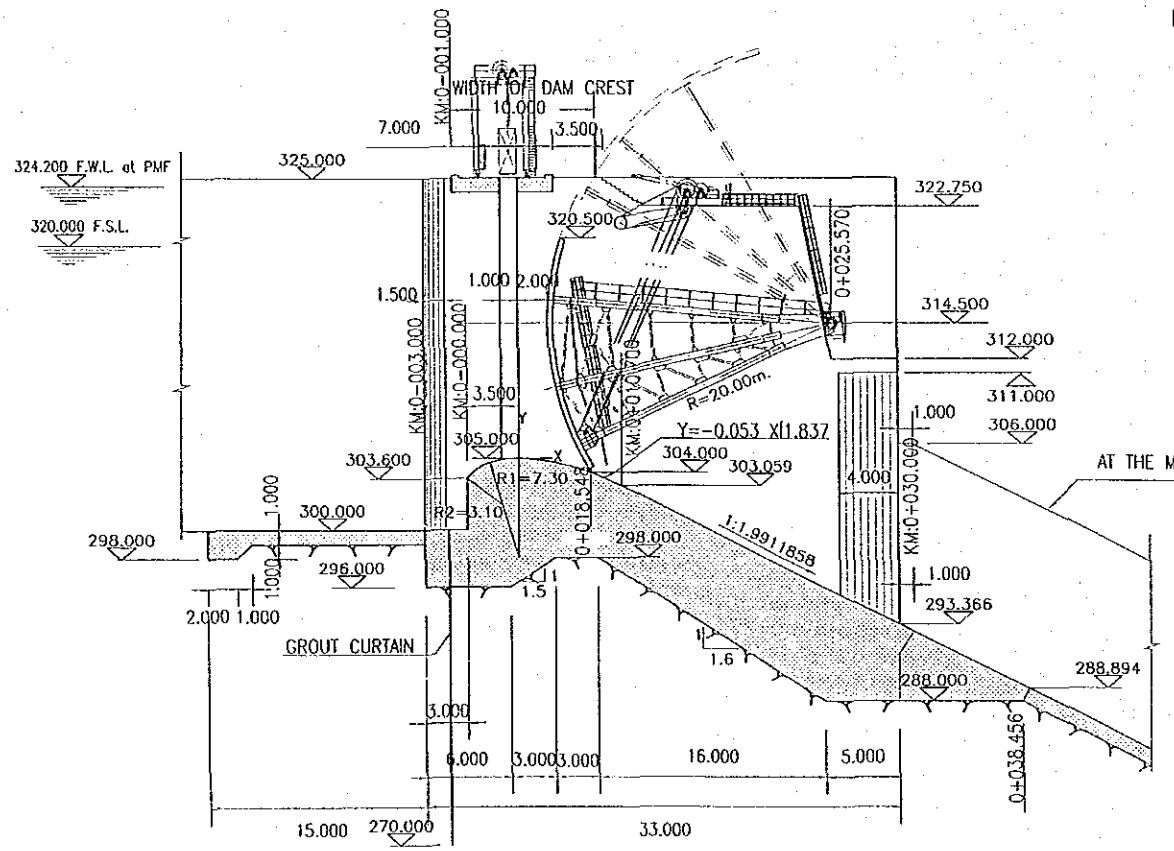
360
350
340
330
320
310
300
290
280
270
260
250
240
230
220
210
200
190
180
170
160



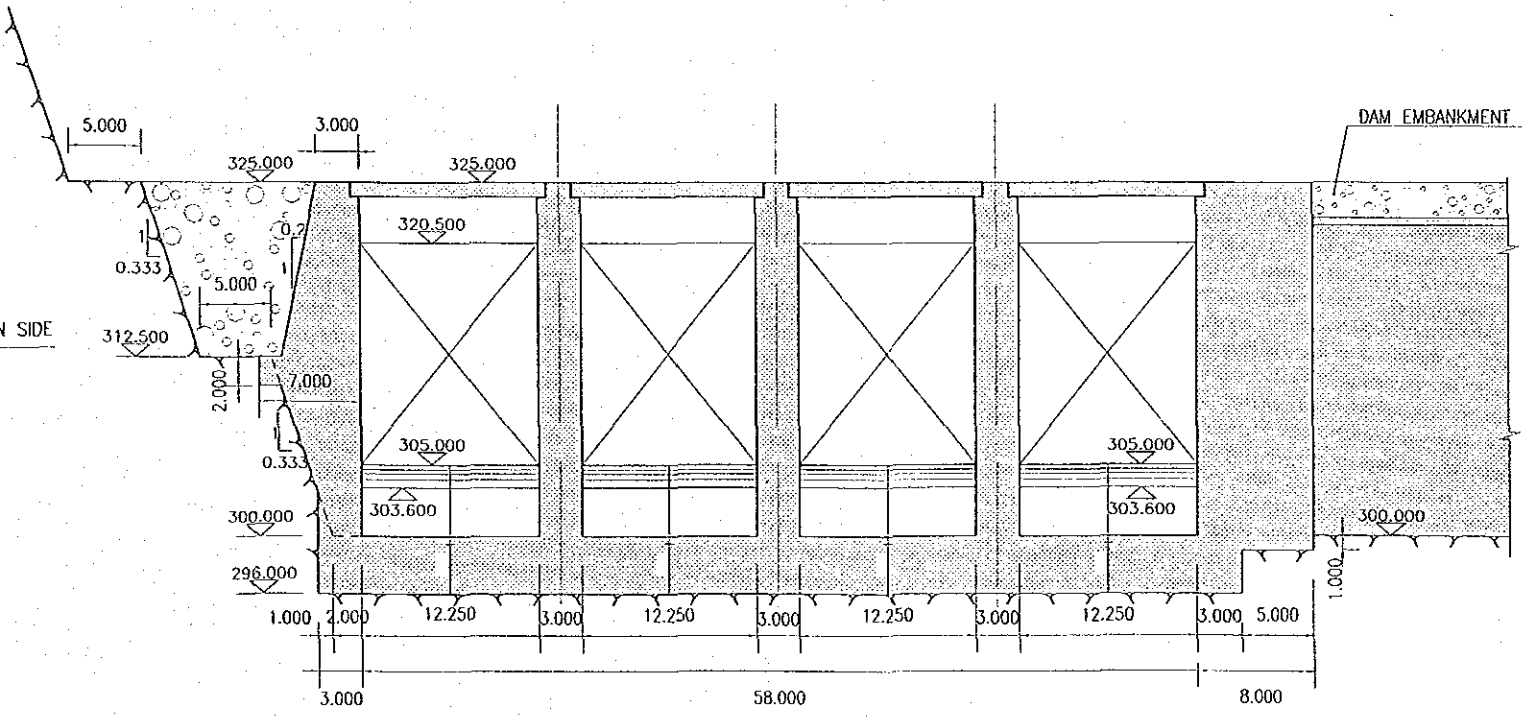
SCALE A 0 100m

SCALE B 0 25m

PROFILE OF SPILLWAY
SCALE A

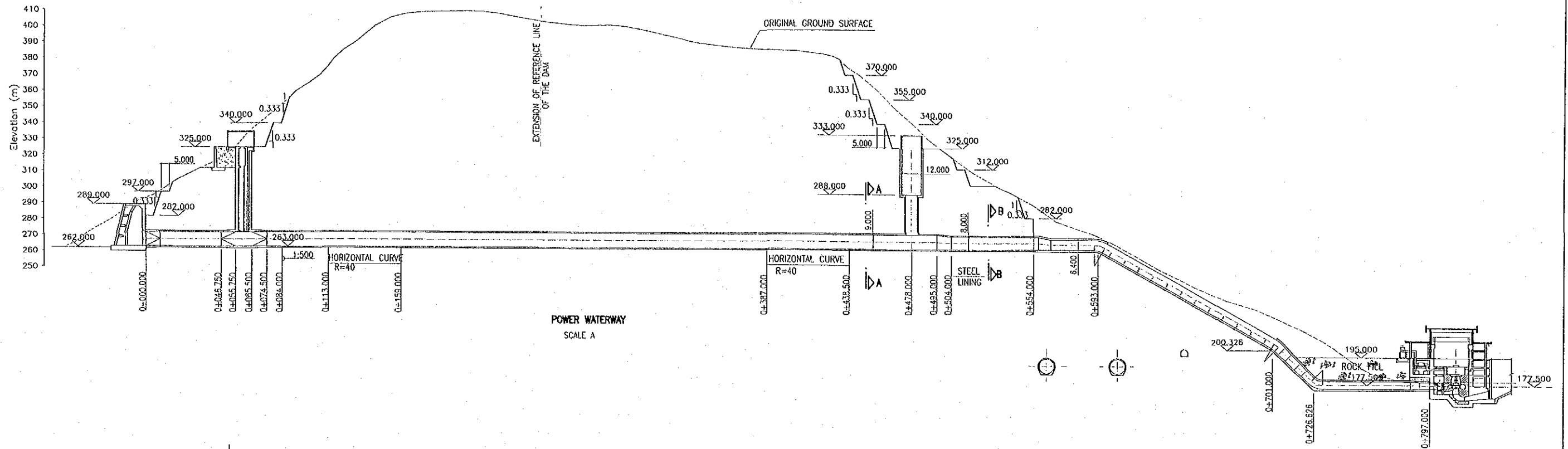


PROFILE OF SPILLWAY WEIR
SCALE B

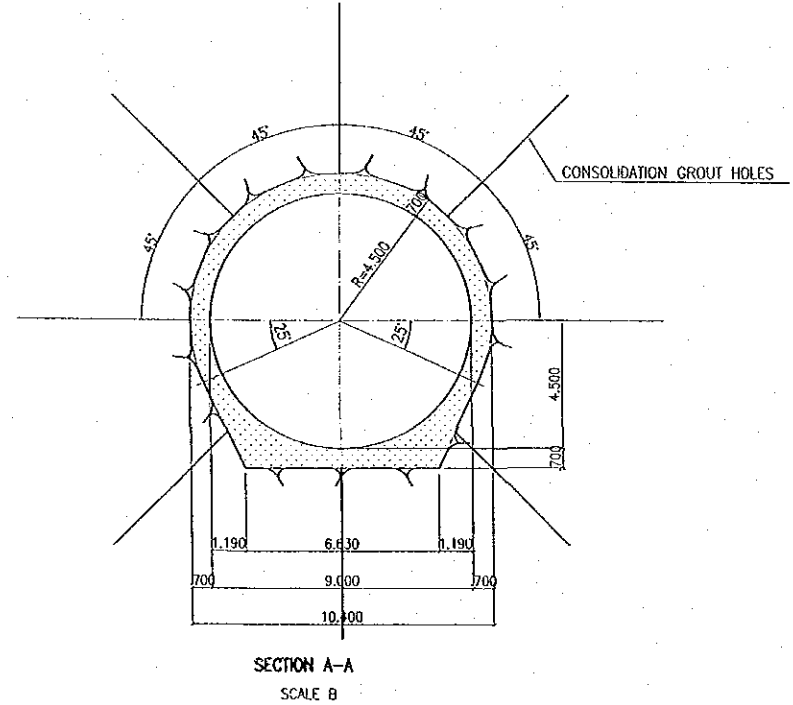


CROSSSECTION OF SPILLWAY WEIR AT CHAIN. 0+000.000
SCALE B

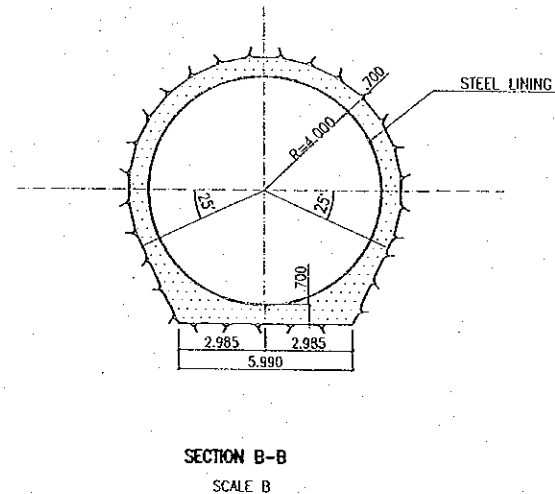
FEASIBILITY STUDY ON THE NAM NGIEP-1 HYDROELECTRIC POWER PROJECT (Phase II) IN THE LAO PEOPLE'S DEMOCRATIC REPUBLIC JAPAN INTERNATIONAL COOPERATION AGENCY	DWG. 04 Spillway, Profile and Weir Details
---	---



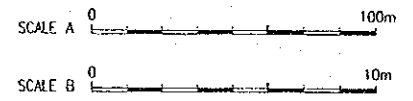
POWER WATERWAY
SCALE A



SECTION A-A
SCALE B

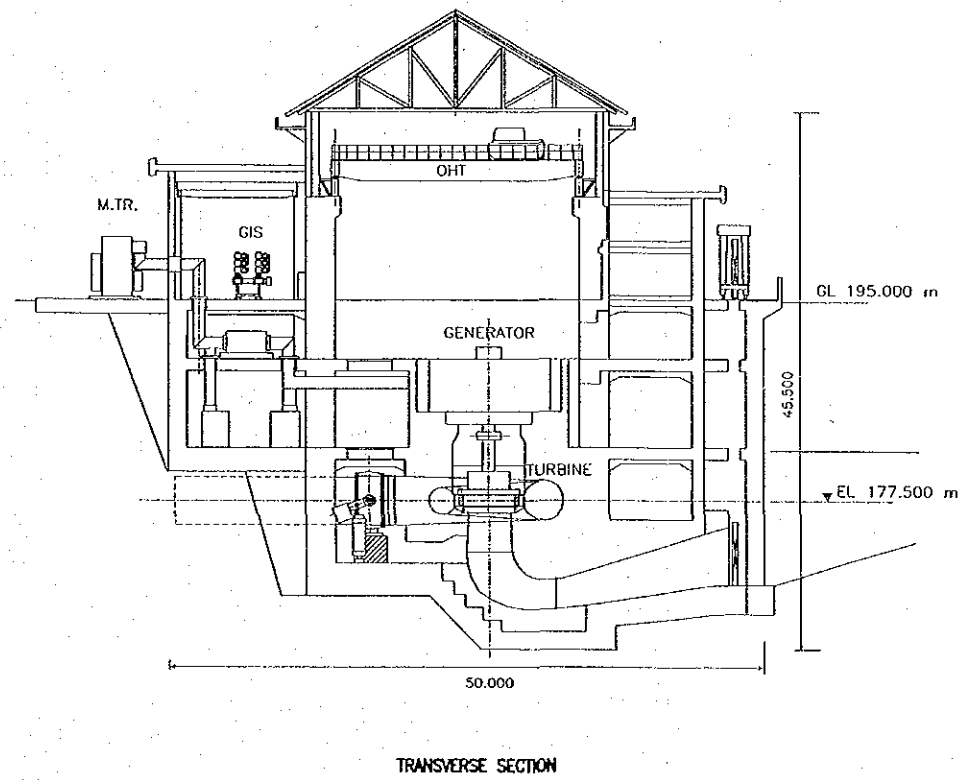
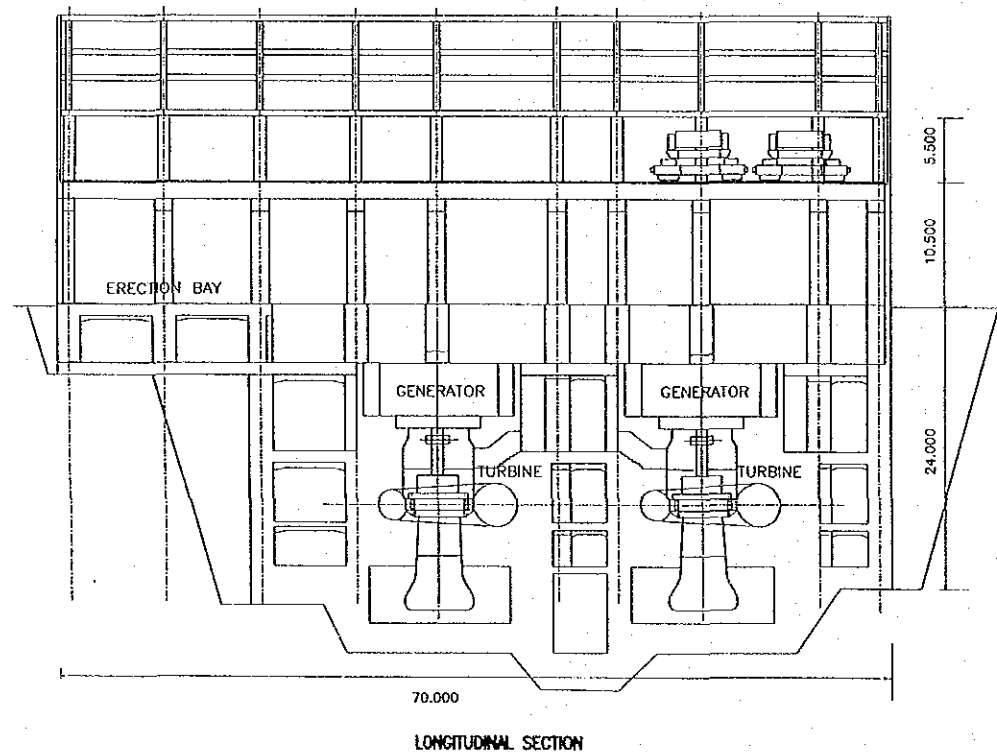
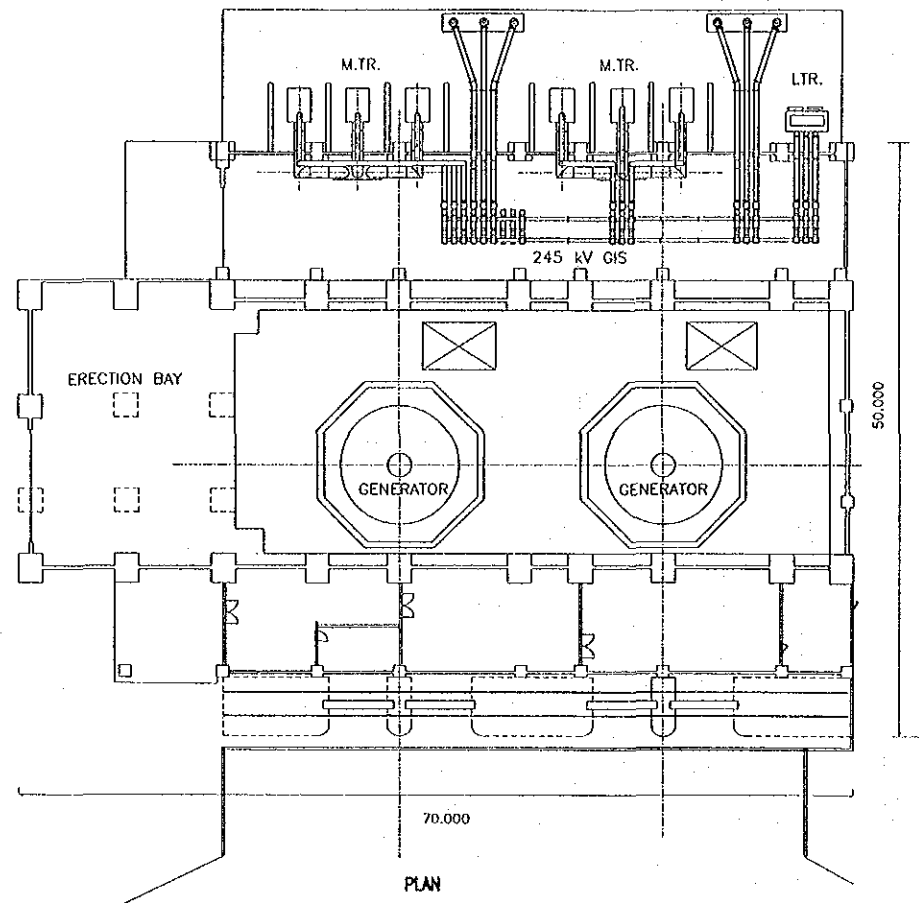


SECTION B-B
SCALE B



FEASIBILITY STUDY
ON THE NAM NGIEP-I HYDROELECTRIC POWER PROJECT (Phase II)
IN THE LAO PEOPLE'S DEMOCRATIC REPUBLIC
JAPAN INTERNATIONAL COOPERATION AGENCY

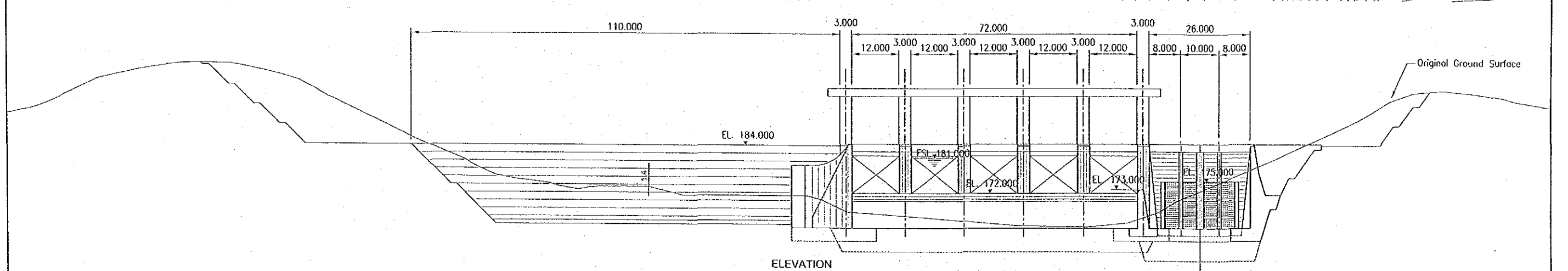
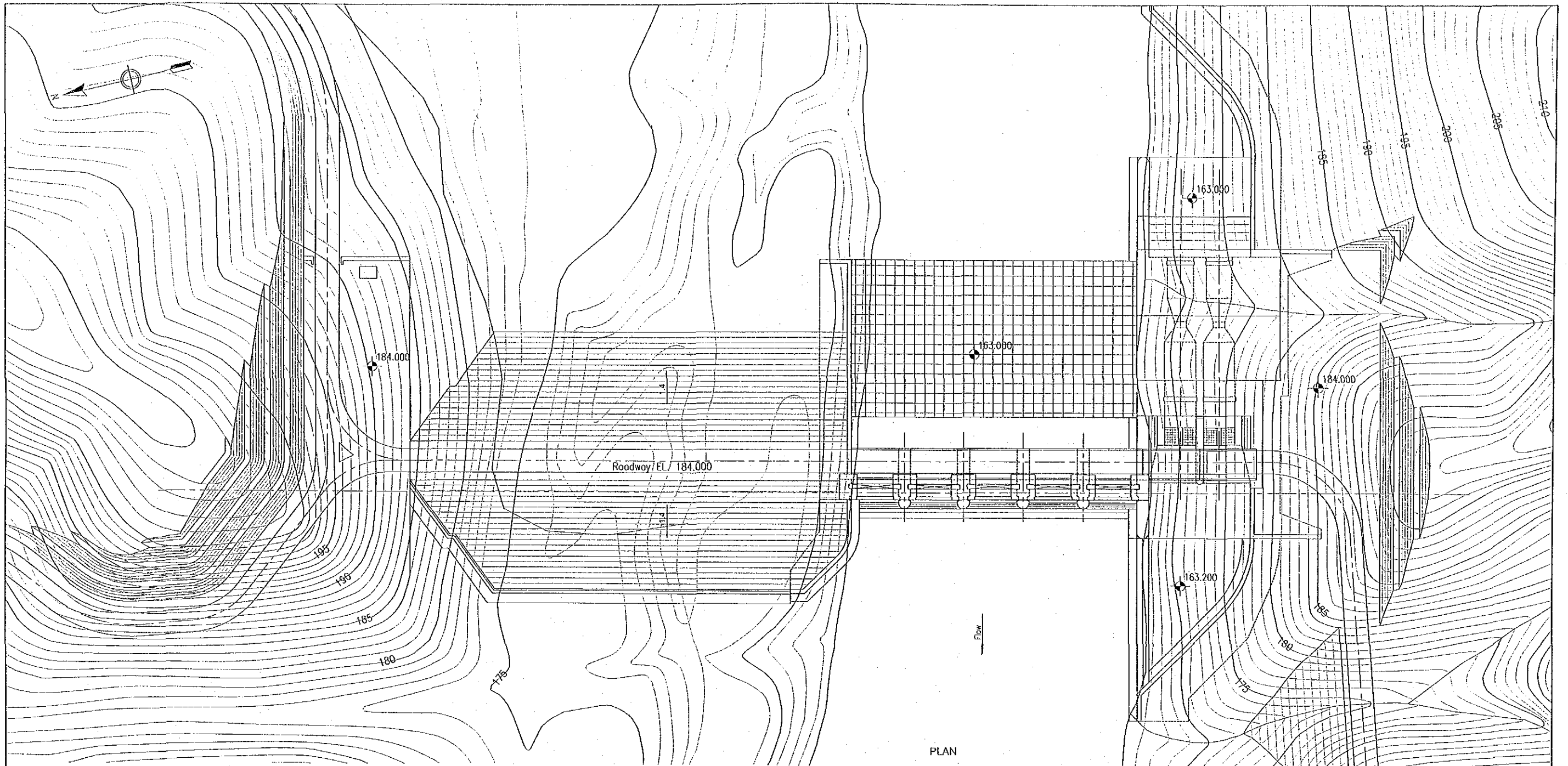
DWG. 05
Power Waterway, Profile and Sections



SCALE 0 30m

FEASIBILITY STUDY
ON THE NAM NGIEP-I HYDROELECTRIC POWER PROJECT (Phase II)
IN THE LAO PEOPLE'S DEMOCRATIC REPUBLIC
JAPAN INTERNATIONAL COOPERATION AGENCY

DWG. 06
Powerhouse(Main Dam), Plan and Sections



SCALE 0 50m

FEASIBILITY STUDY
ON THE NAM NGIEP-I HYDROELECTRIC POWER PROJECT (Phase II)
IN THE LAO PEOPLE'S DEMOCRATIC REPUBLIC
JAPAN INTERNATIONAL COOPERATION AGENCY

DWG. 07
Re-Regulating Facilities, Plan and Elevation

JICA