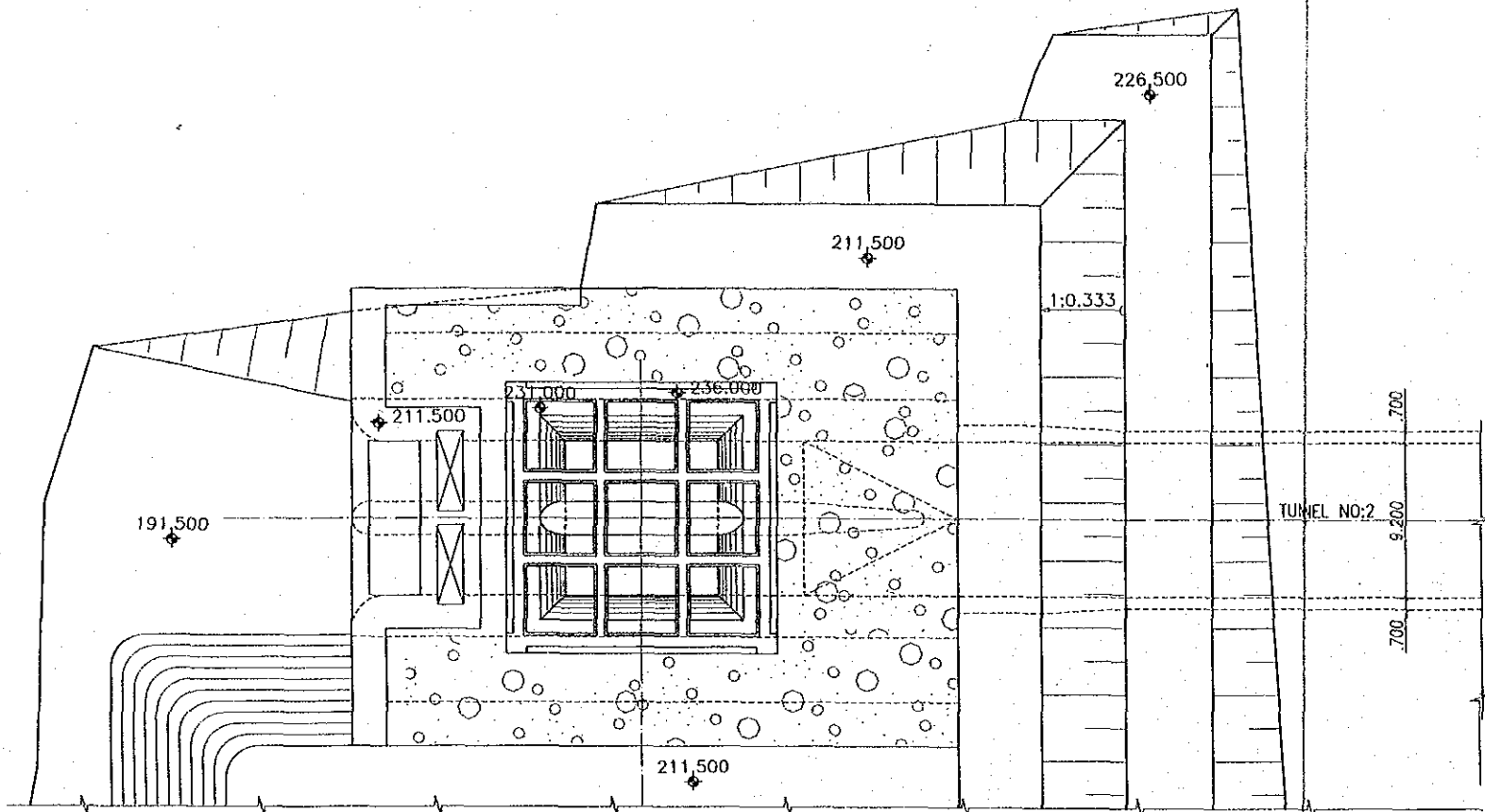
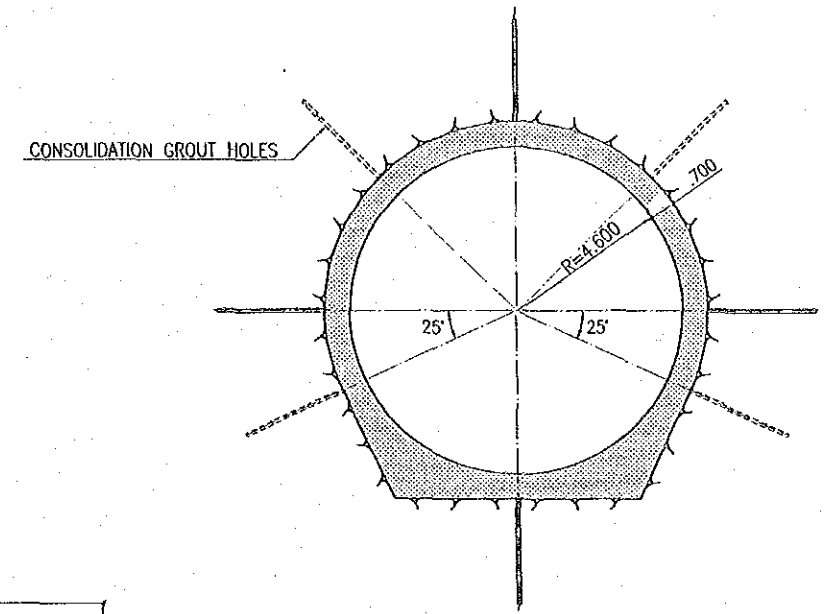


FEASIBILITY STUDY
 ON THE NAM NGIEP-1 HYDROELECTRIC POWER PROJECT (Phase II)
 IN THE LAO PEOPLE'S DEMOCRATIC REPUBLIC
 JAPAN INTERNATIONAL COOPERATION AGENCY

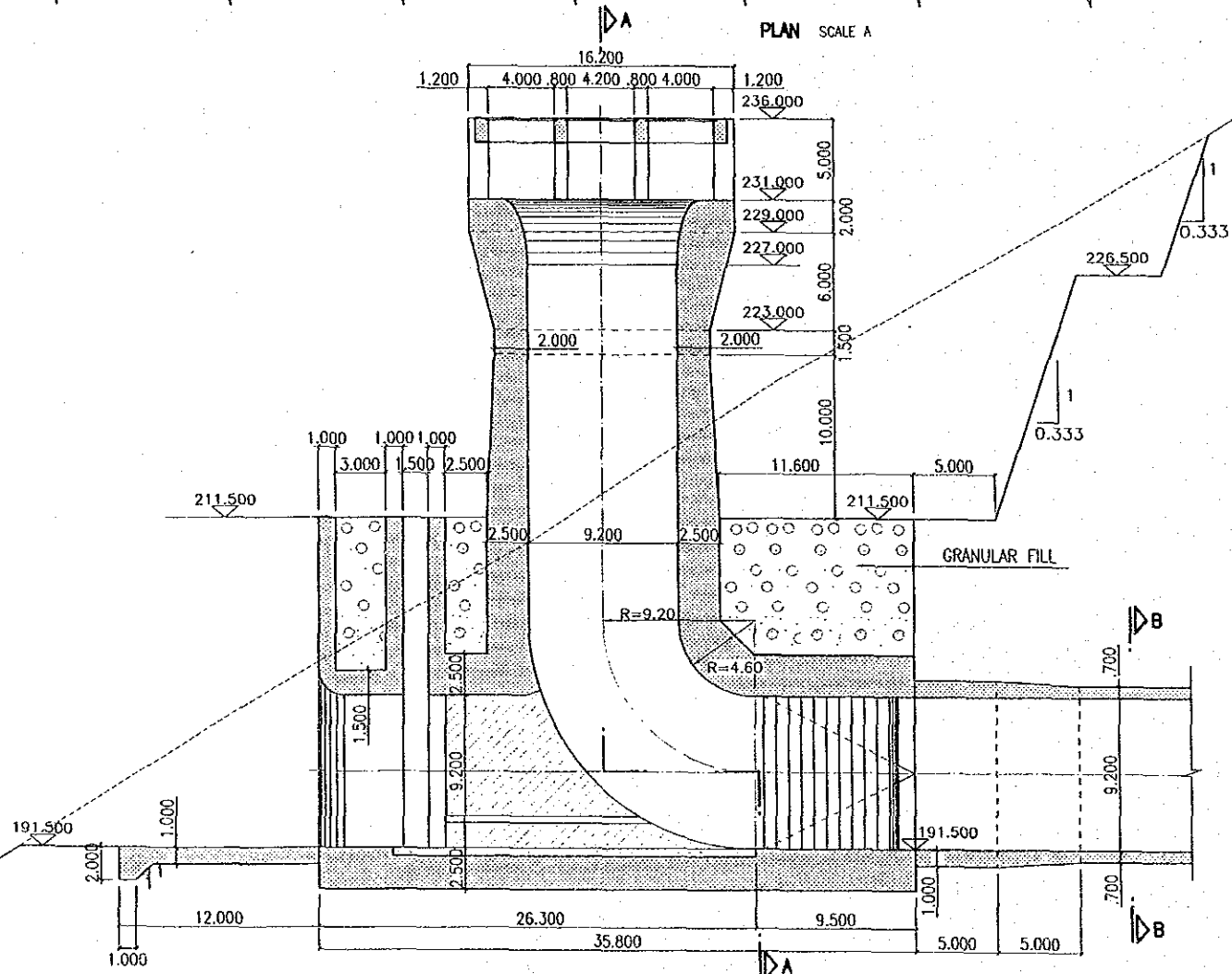
図面 13
 仮排水設備、2号仮排水トンネル縦断面図



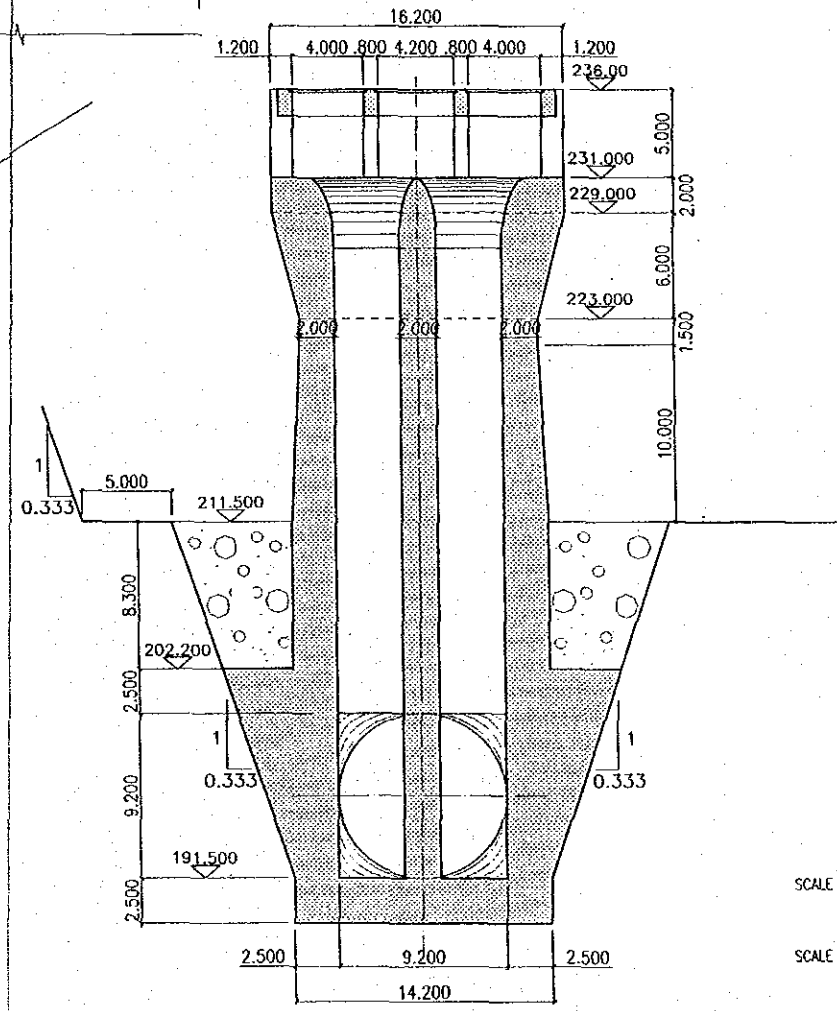
PLAN SCALE A



SECTION B-B SCALE B



PROFILE OF INLET STRUCTURE OF DIVERSION TUNNEL NO.2 AND BOTTOM OUTLET TUNNEL SCALE A



SECTION A-A SCALE A

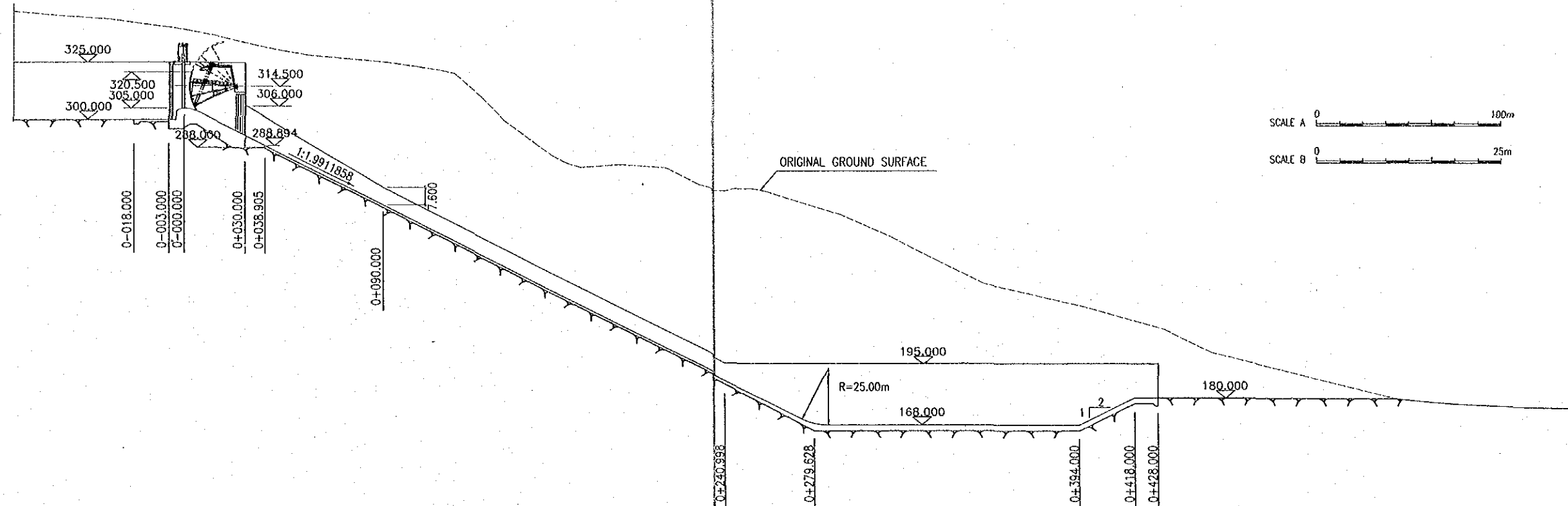
SCALE A 0 20m

SCALE B 0 10m

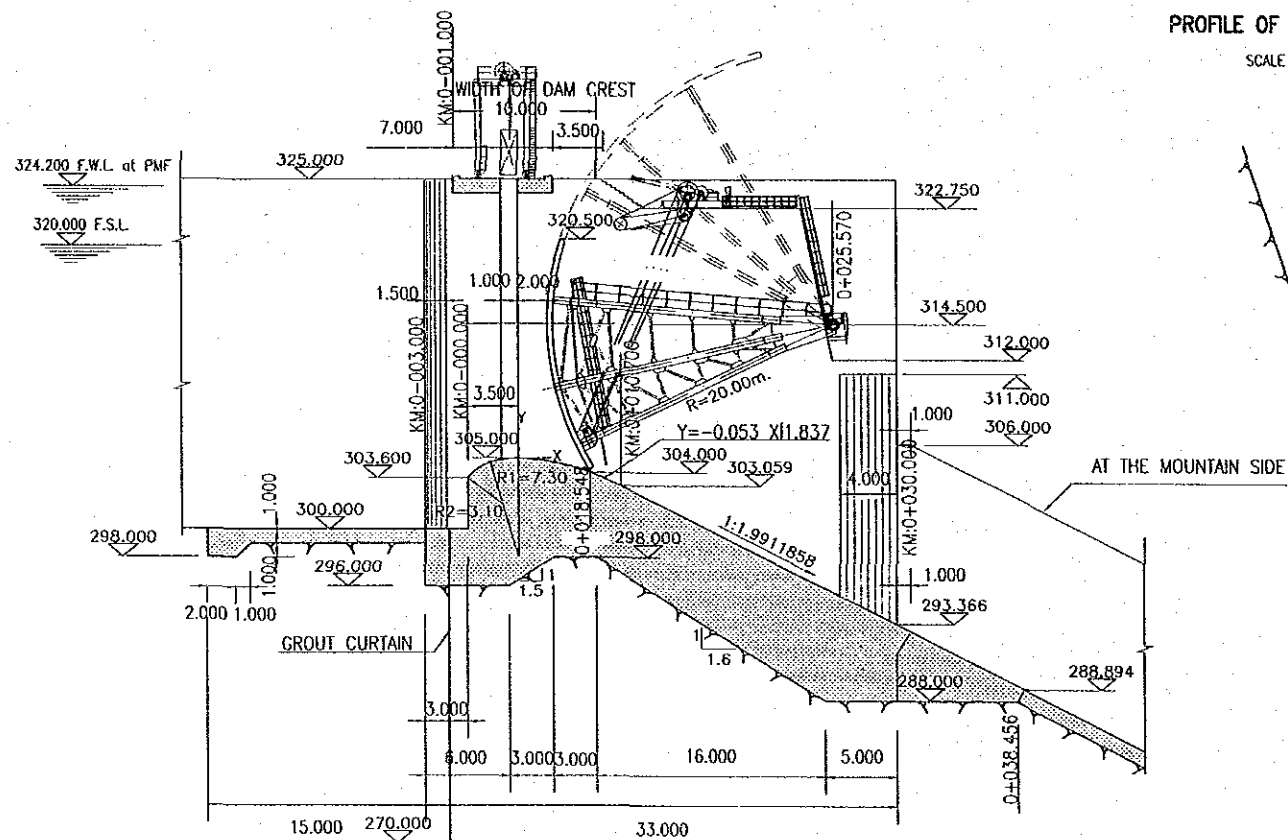
FEASIBILITY STUDY
ON THE NAM NGIEP-I HYDROELECTRIC POWER PROJECT (Phase II)
IN THE LAO PEOPLE'S DEMOCRATIC REPUBLIC
JAPAN INTERNATIONAL COOPERATION AGENCY

図面 14 仮排水設備、2号仮排水トンネル流入部及びトンネル断面図

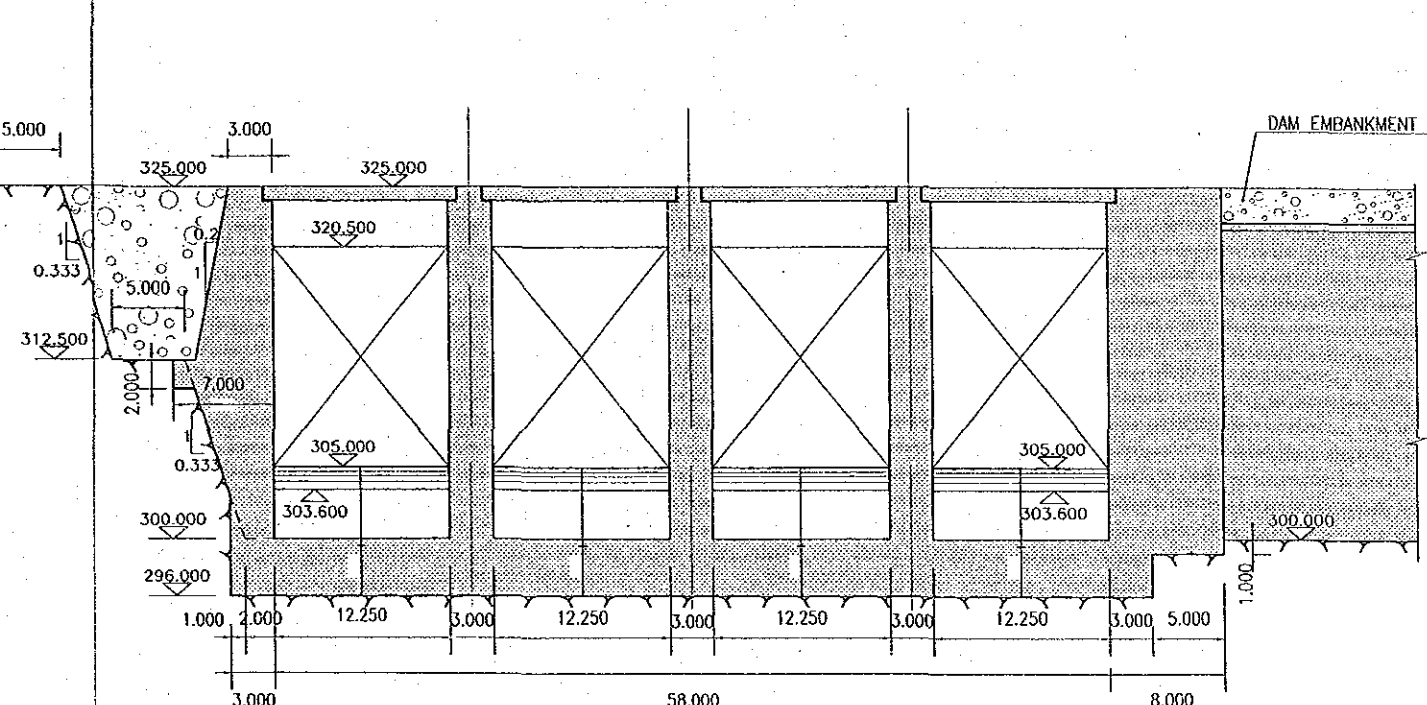
Elevation (m)



PROFILE OF SPILLWAY
SCALE A



PROFILE OF SPILLWAY WEIR
SCALE B

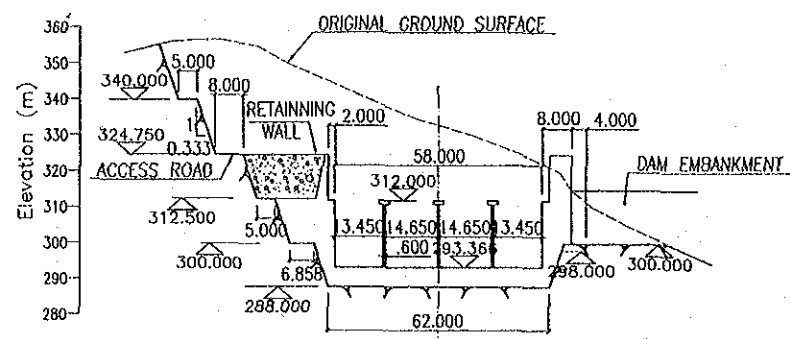


CROSSSECTION OF SPILLWAY WEIR AT CHAIN. 0+000.000
SCALE B

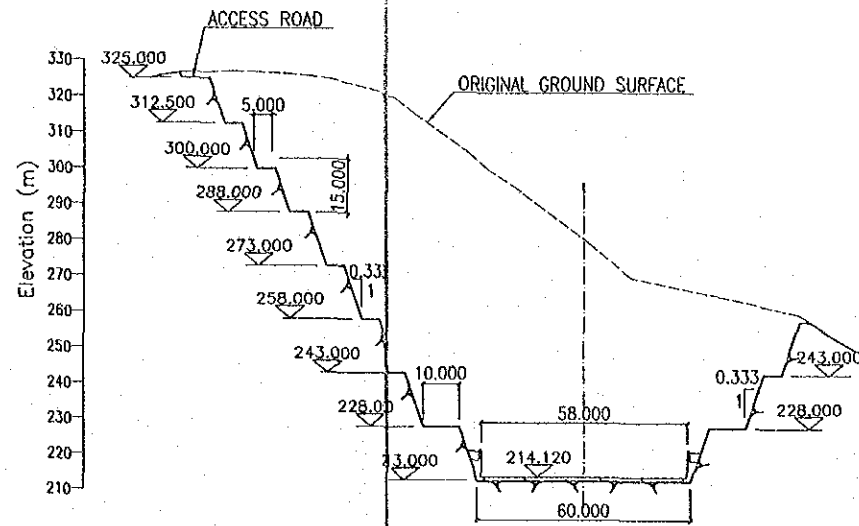
FEASIBILITY STUDY
ON THE NAM NGIEP-1 HYDROELECTRIC POWER PROJECT (Phase II)
IN THE LAO PEOPLE'S DEMOCRATIC REPUBLIC
JAPAN INTERNATIONAL COOPERATION AGENCY

図面 15

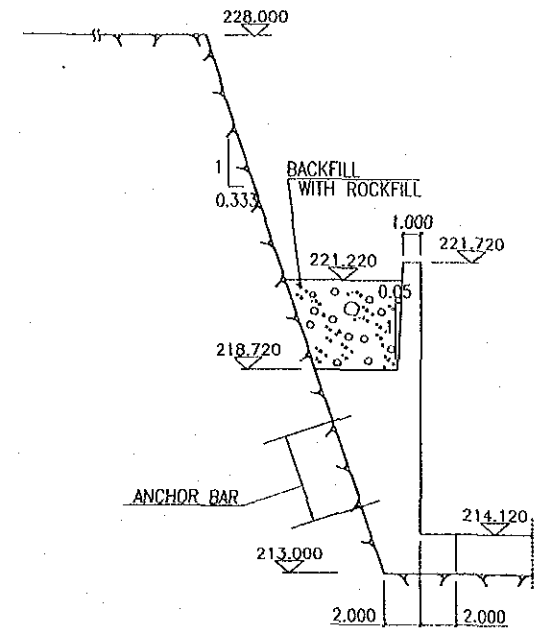
洪水吐、縦断及び越流部詳細図



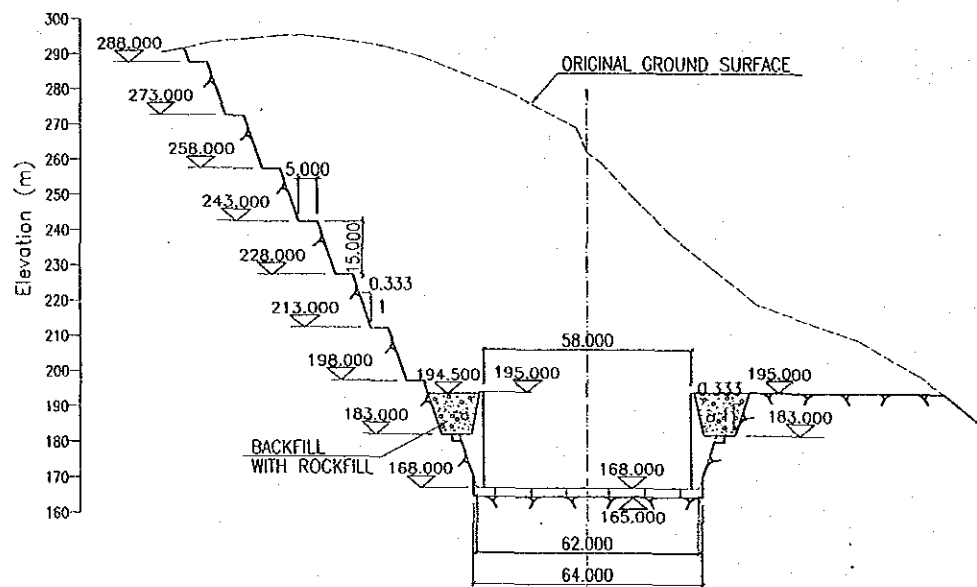
SECTION OF SPILLWAY, CHAIN. 0+030.000
SCALE A



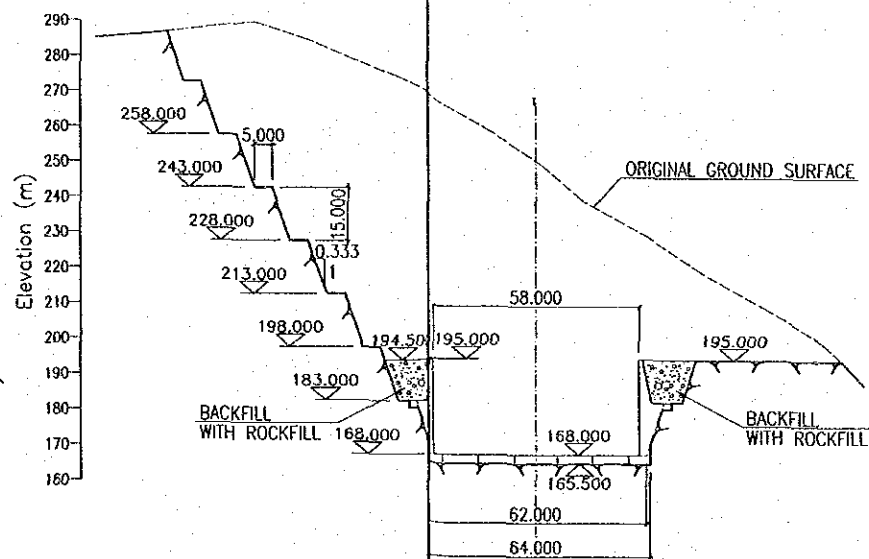
SECTION OF SPILLWAY, CHAIN. 0+187.795
SCALE A



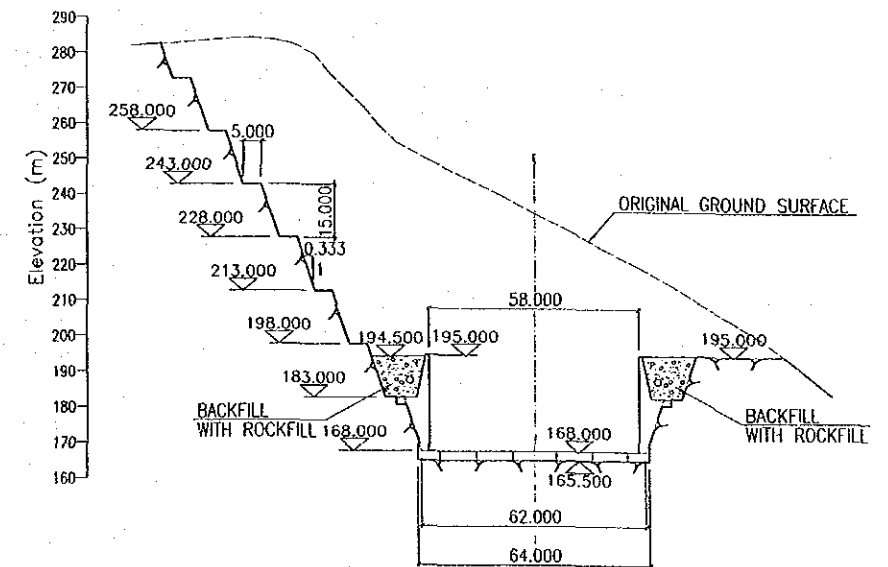
SECTION OF TRAINING WALL
SCALE B



SECTION OF SPILLWAY, CHAIN. 0+279.628
(BEGINNING OF STILLING BASIN)
SCALE A



SECTION OF SPILLWAY, CHAIN. 0+310.000
SCALE A



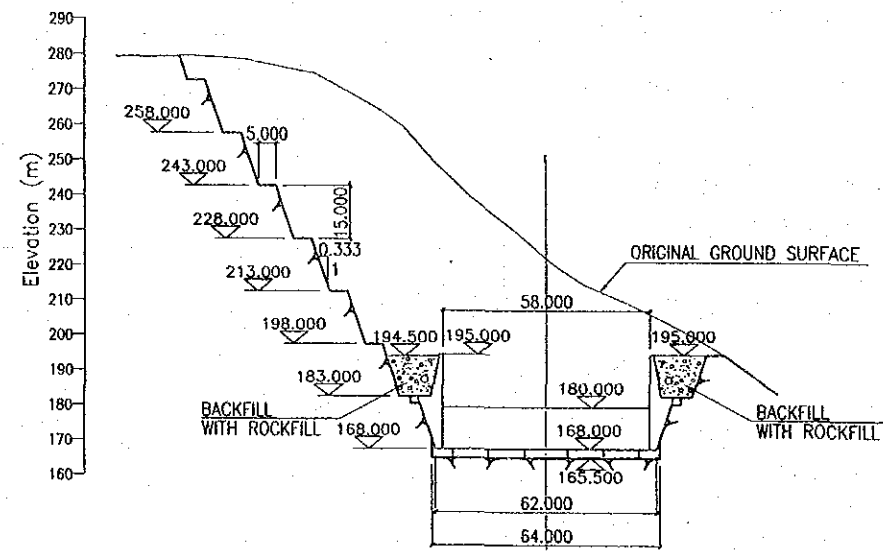
SECTION OF SPILLWAY, CHAIN. 0+340.000
SCALE A



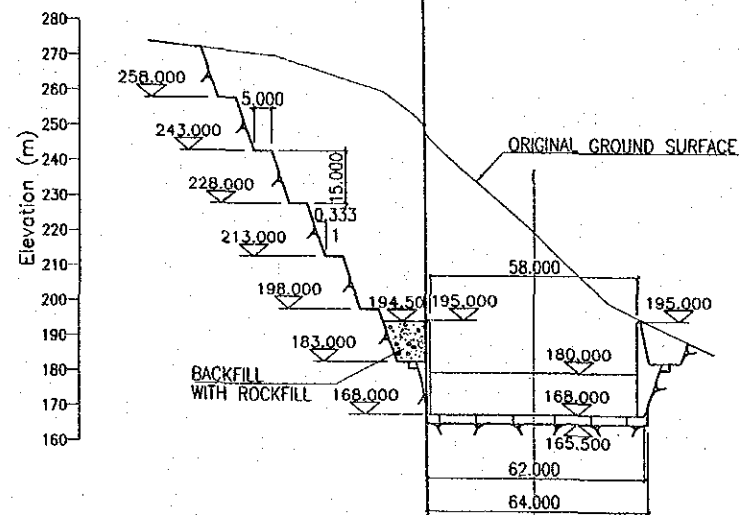
FEASIBILITY STUDY
ON THE NAM NGIEP-I HYDROELECTRIC POWER PROJECT (Phase II)
IN THE LAO PEOPLE'S DEMOCRATIC REPUBLIC
JAPAN INTERNATIONAL COOPERATION AGENCY

図面 16

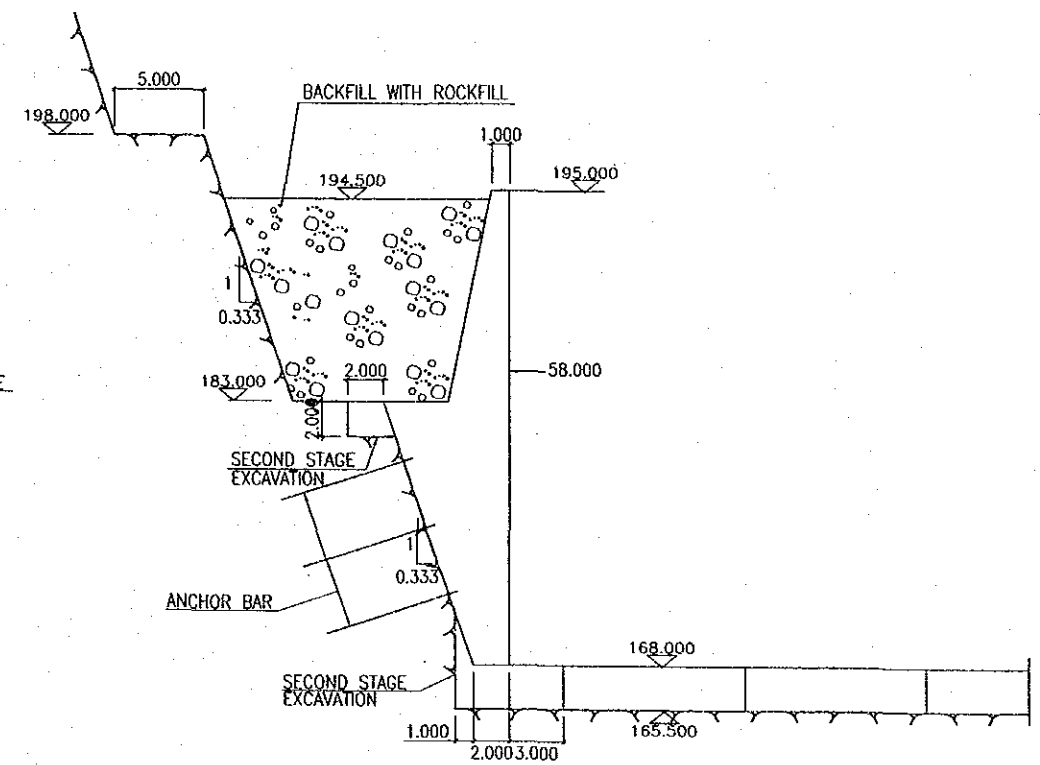
洪水吐、断面図 (I)



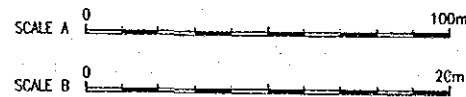
SECTION OF SPILLWAY, CHAIN. 0+370.000
SCALE A



SECTION OF SPILLWAY, CHAIN. 0+394.000
(ND OF STILLING BASIN)
SCALE A



SECTION OF TRAINING WALL AT STILLING BASIN
SCALE B

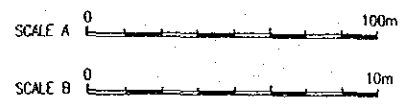
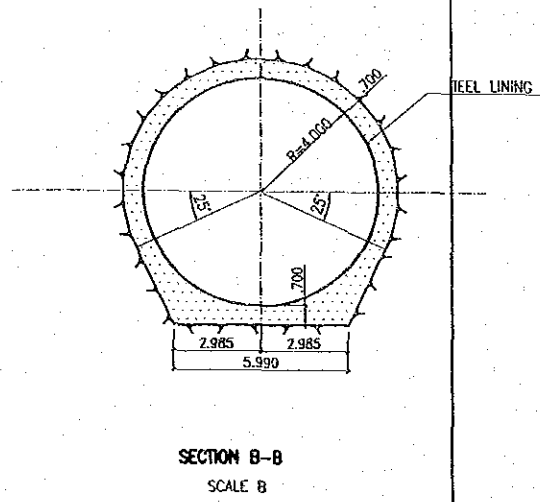
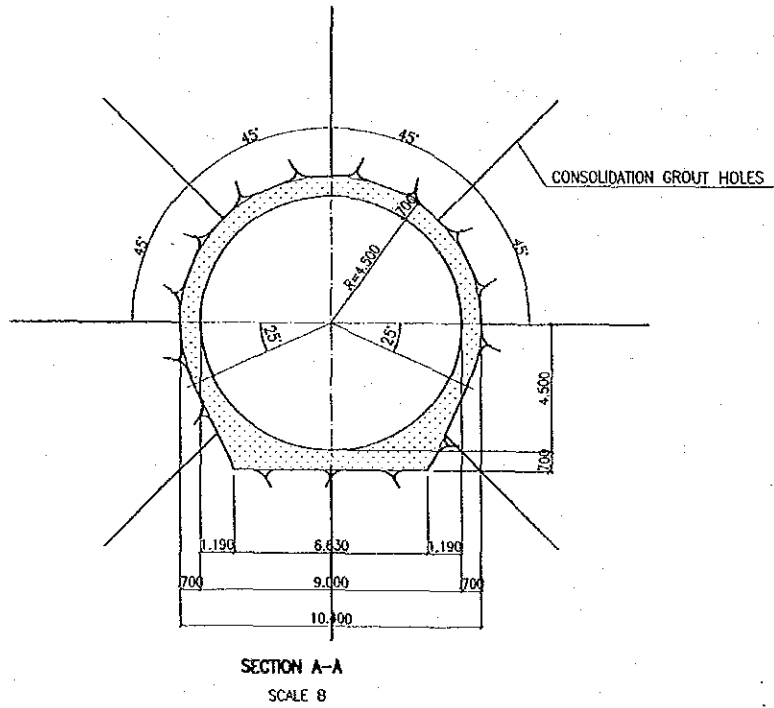
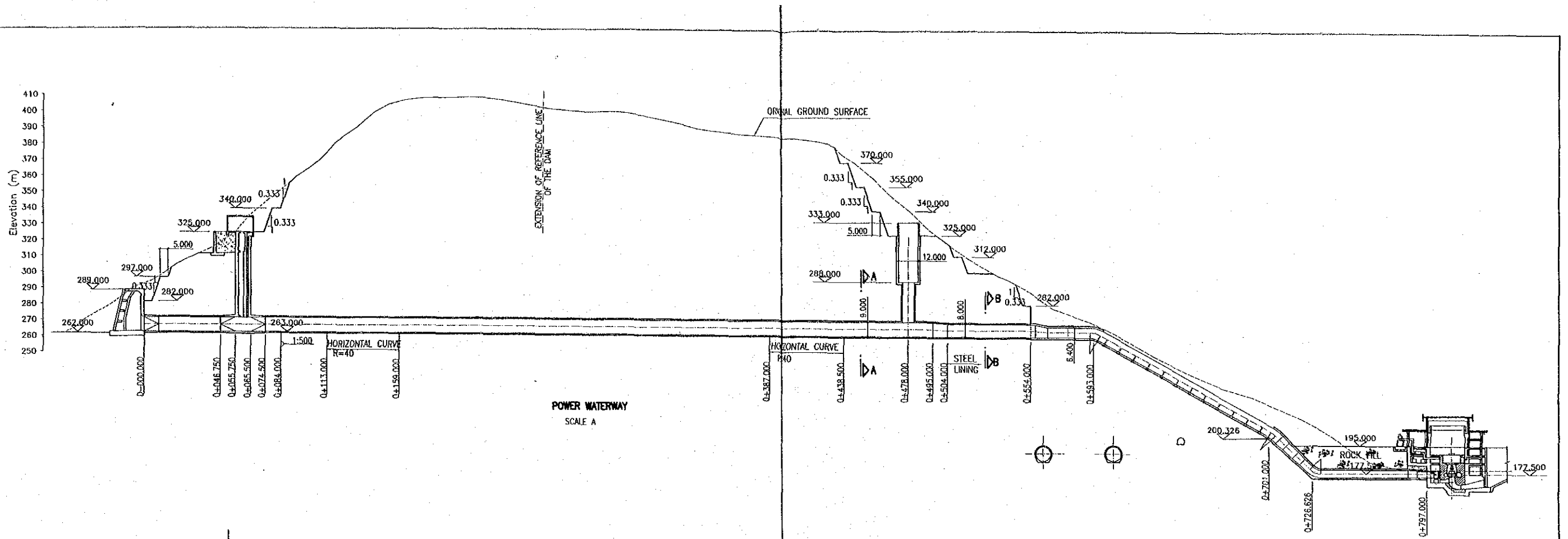


FEASIBILITY STUDY
ON THE NAM NGIEP-I HYDROELECTRIC POWER PROJECT (Phase II)
IN THE LAO PEOPLE'S DEMOCRATIC REPUBLIC
JAPAN INTERNATIONAL COOPERATION AGENCY

図面 17

洪水吐、断面図 (2)

Elevation (m)

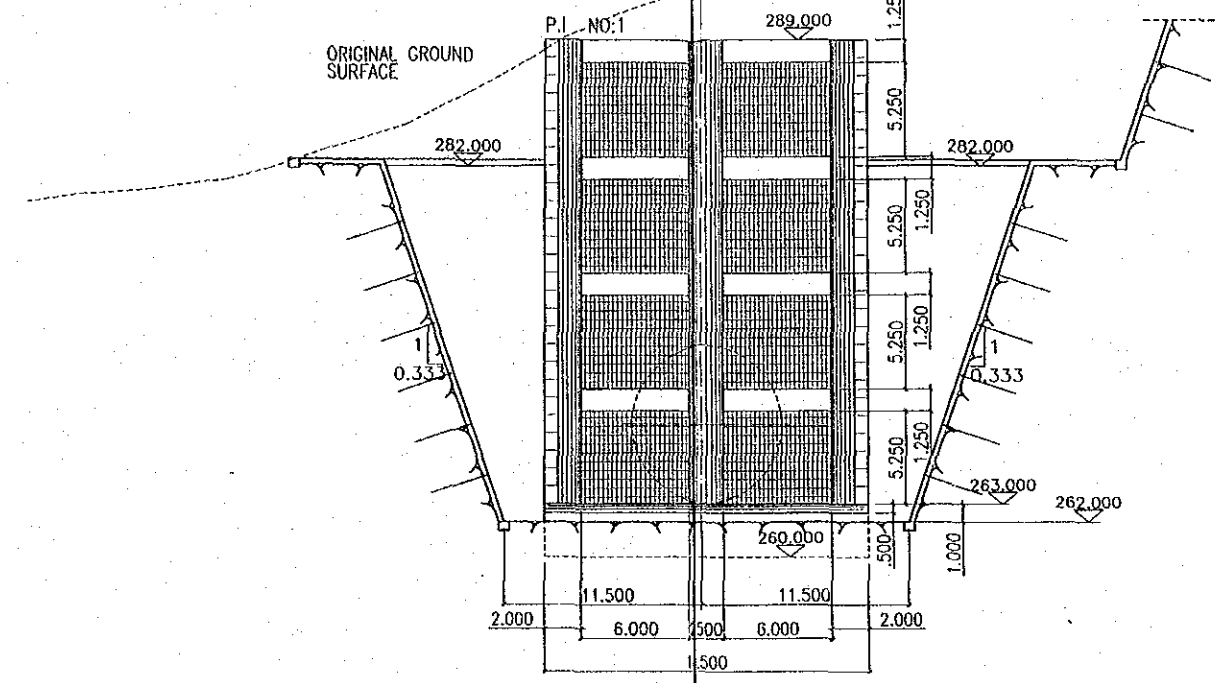


FEASIBILITY STUDY
ON THE NAM NGIEP-I HYDROELECTRIC POWER PROJECT (Phase II)
IN THE LAO PEOPLE'S DEMOCRATIC REPUBLIC
JAPAN INTERNATIONAL COOPERATION AGENCY

図面 18

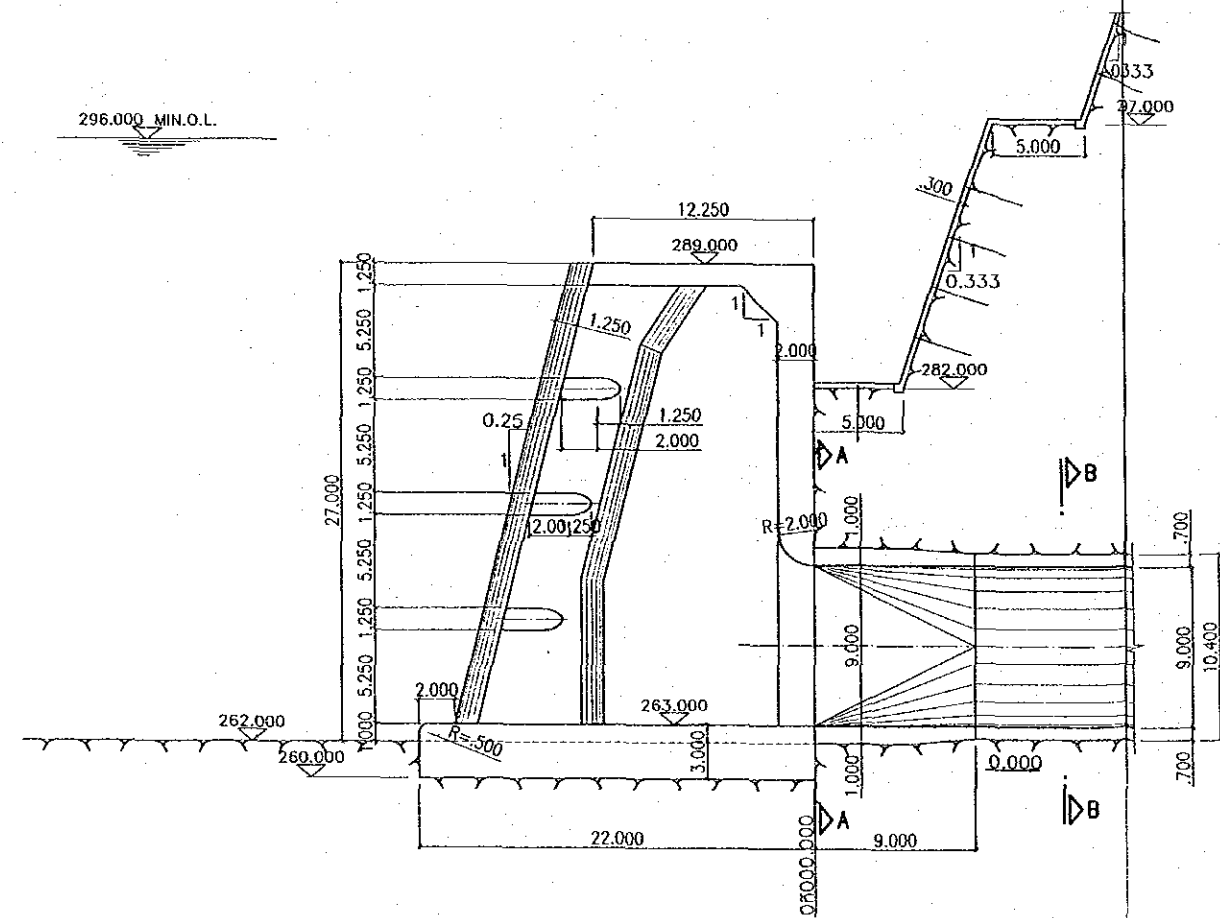
発電水路、縦横断面

296.000 MIN.O.L.

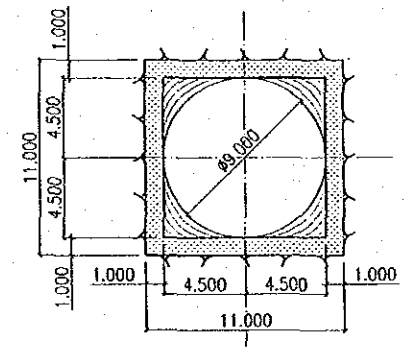


UPSTREAM VIEW OF POWER STRUCTURES

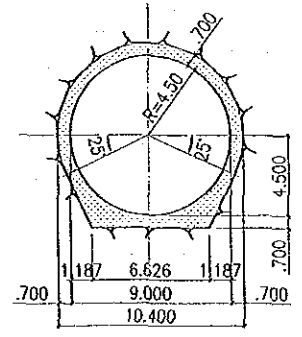
296.000 MIN.O.L.



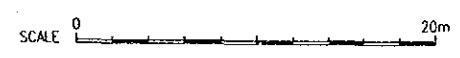
SECTION OF POWER INTAKE STRUCTURE NO.1



SECTION A-A



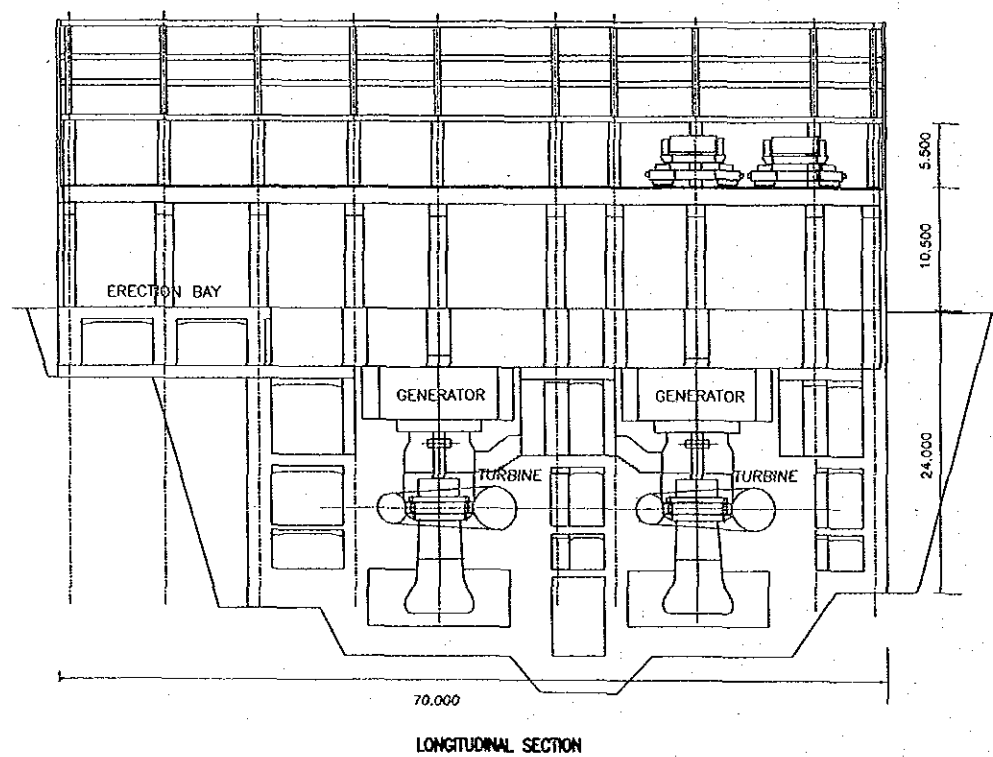
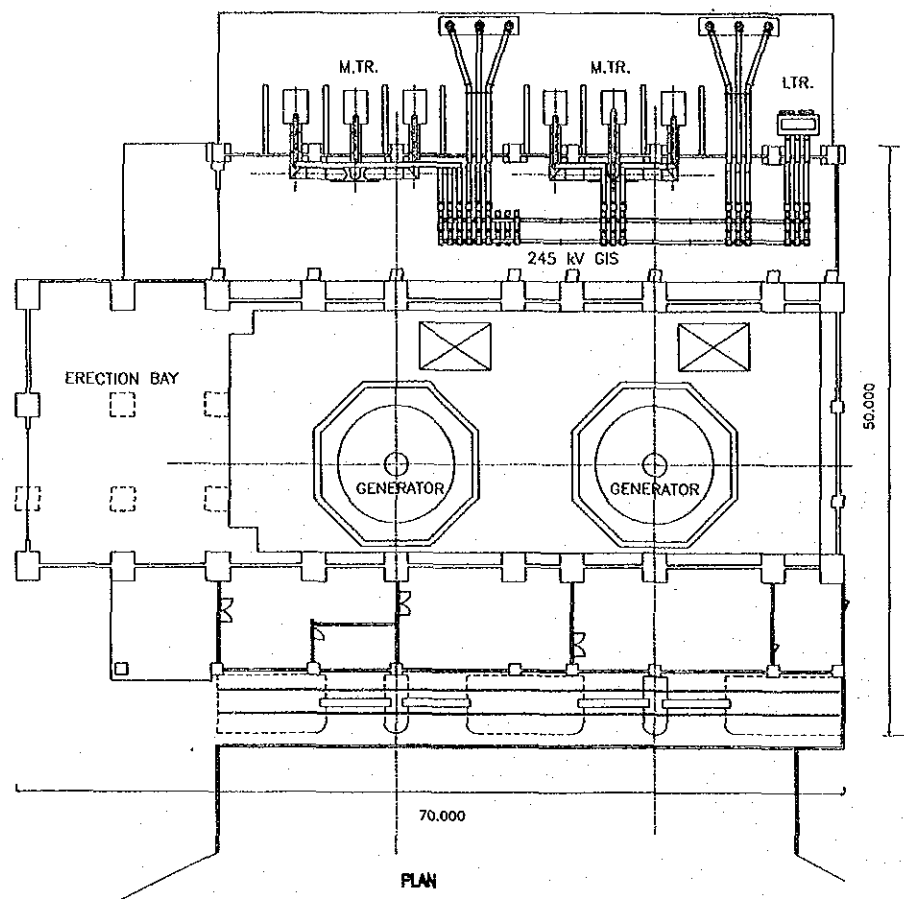
SECTION B-B



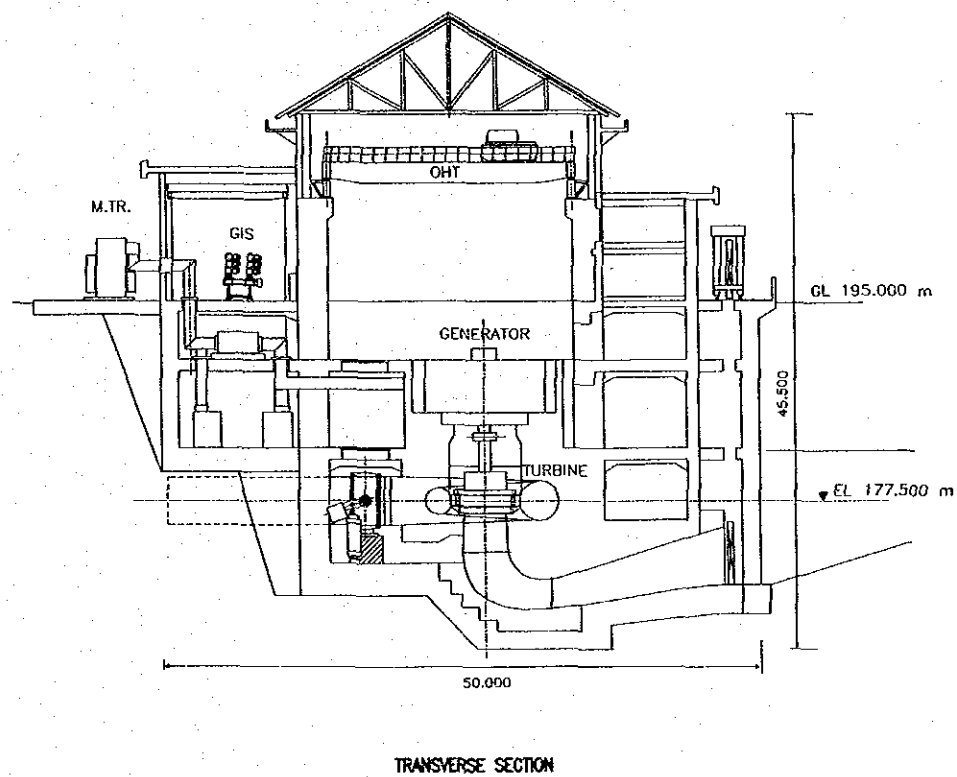
FEASIBILITY STUDY
ON THE NAM NGIEP-I HYDROELECTRIC POWER PROJECT (Phase II)
IN THE LAO PEOPLE'S DEMOCRATIC REPUBLIC
JAPAN INTERNATIONAL COOPERATION AGENCY

図面 19

発電水路、取水口



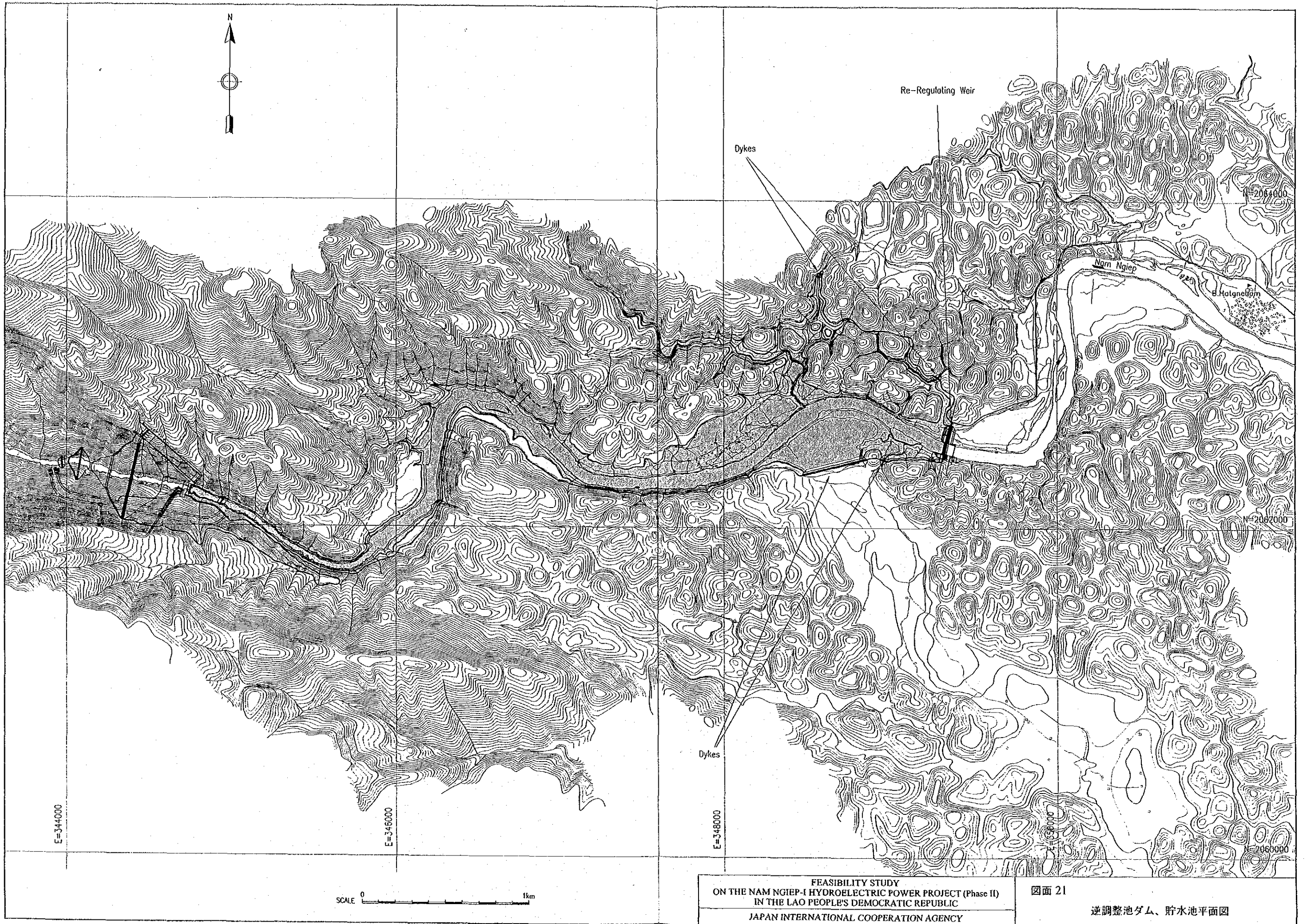
SCALE 0 30m



FEASIBILITY STUDY
ON THE NAM NGIEP-I HYDROELECTRIC POWER PROJECT (Phase II)
IN THE LAO PEOPLE'S DEMOCRATIC REPUBLIC
JAPAN INTERNATIONAL COOPERATION AGENCY

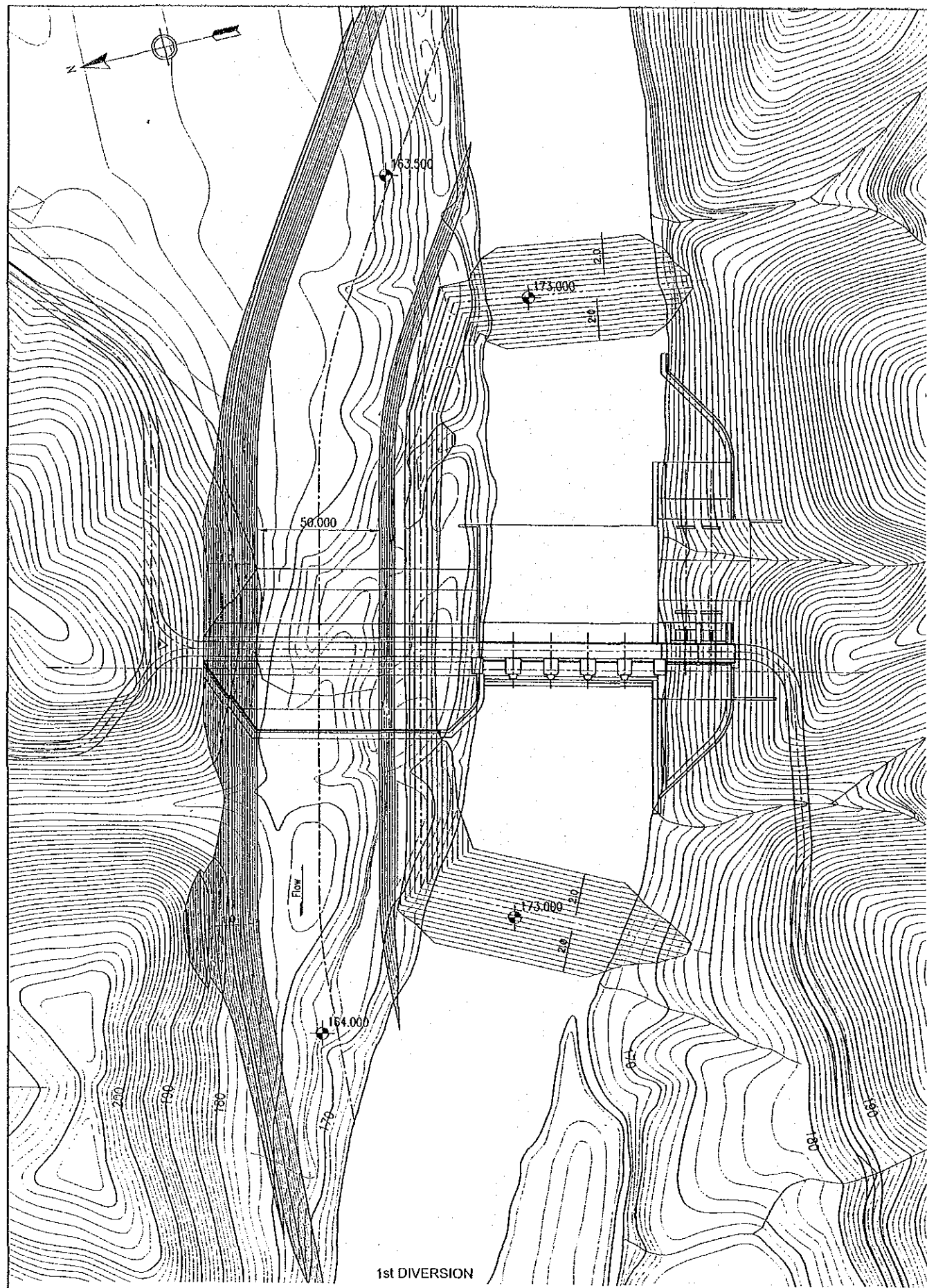
図面 20

本ダム発電所、平面及び断面図

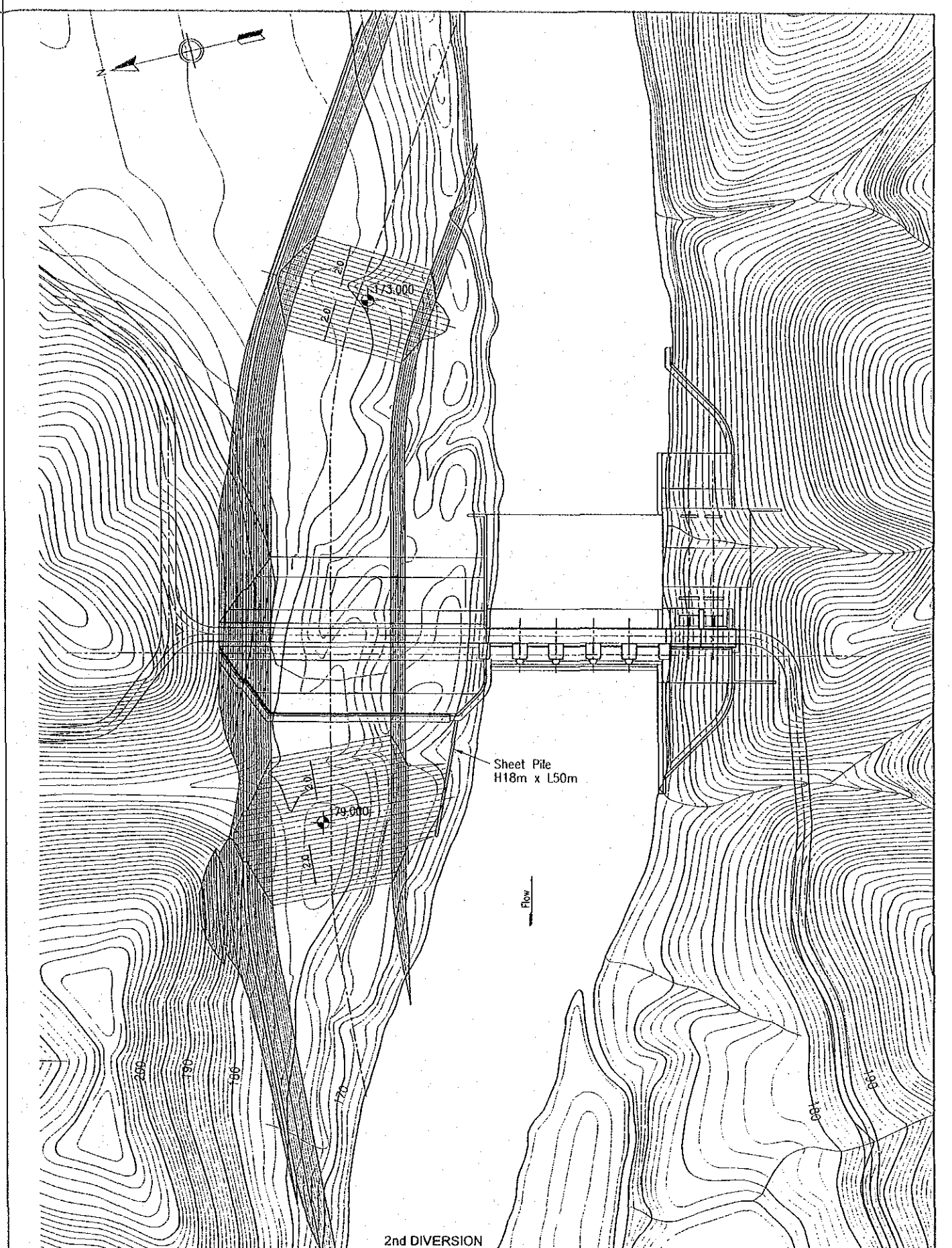


図面 21

逆調整池ダム、貯水池平面図



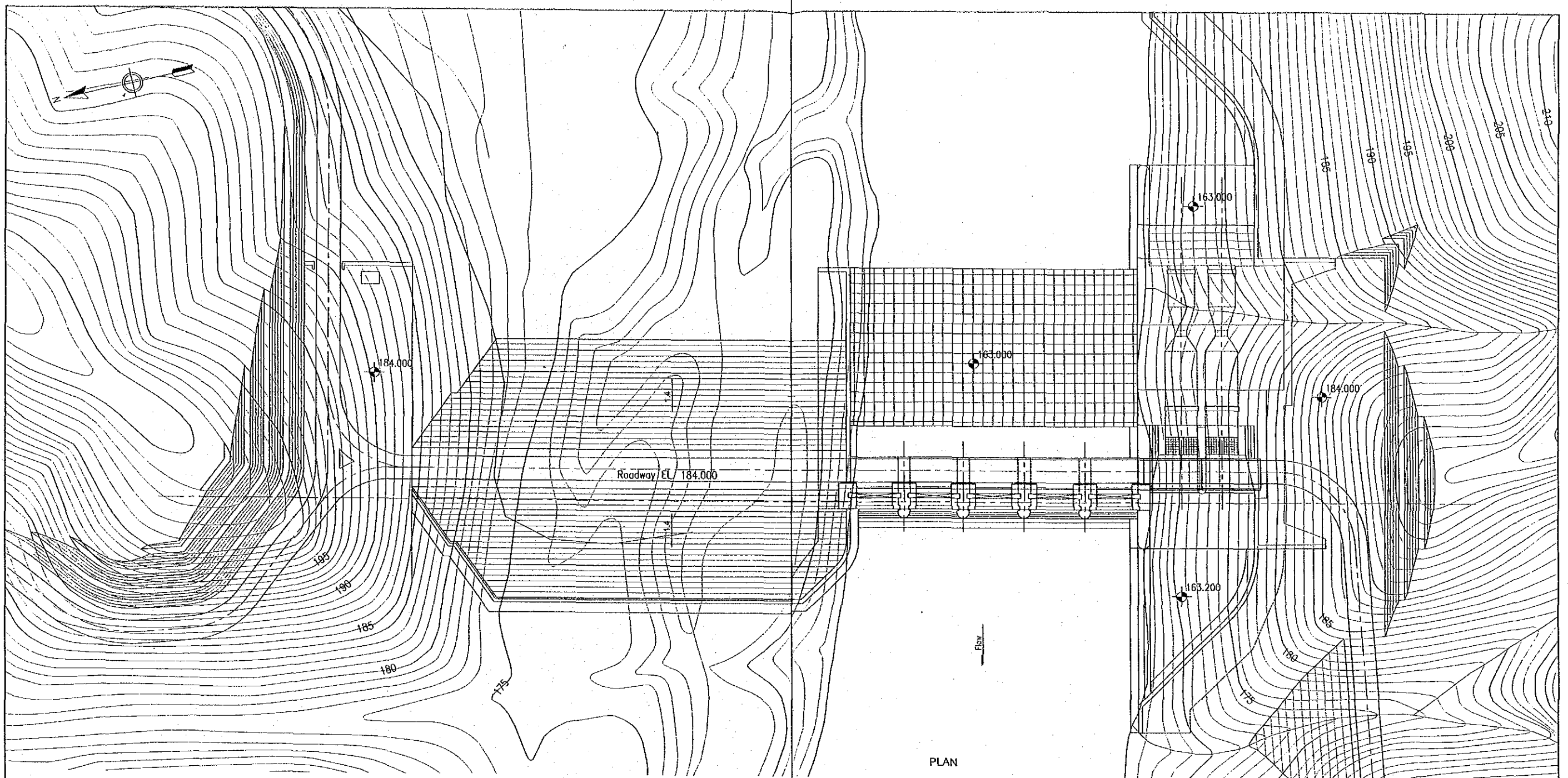
SCALE 0 100m



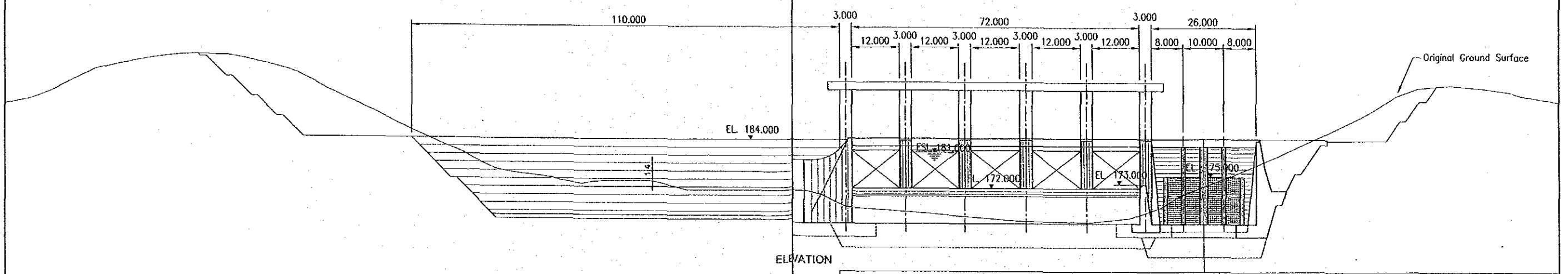
FEASIBILITY STUDY
ON THE NAM NGIEP-I HYDROELECTRIC POWER PROJECT (Phase II)
IN THE LAO PEOPLE'S DEMOCRATIC REPUBLIC
JAPAN INTERNATIONAL COOPERATION AGENCY

図面 22

逆調整池ダム、仮排水設備



PLAN



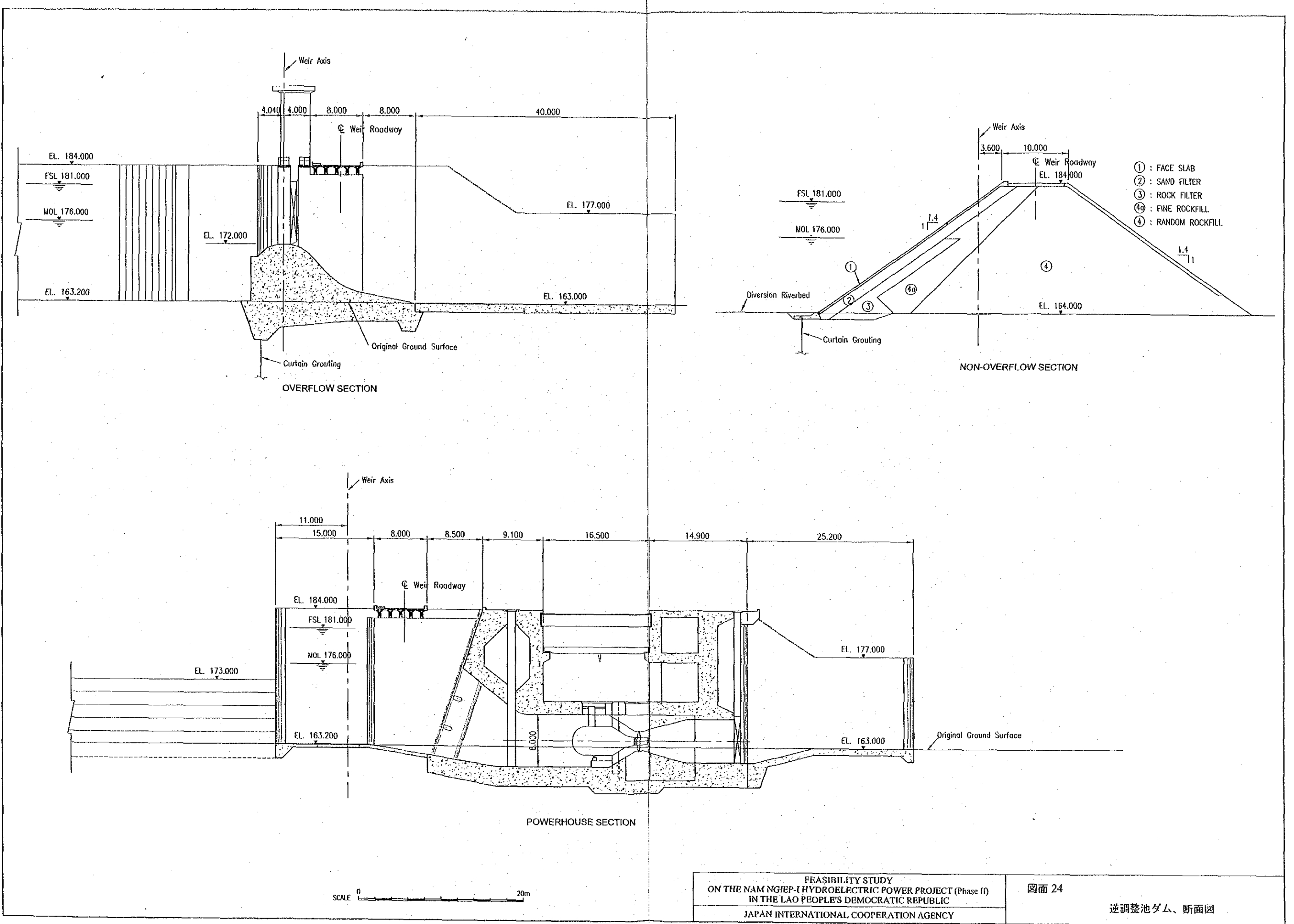
ELEVATION

SCALE 0 50m

FEASIBILITY STUDY
ON THE NAM NGIEP-1 HYDROELECTRIC POWER PROJECT (Phase II)
IN THE LAO PEOPLE'S DEMOCRATIC REPUBLIC
JAPAN INTERNATIONAL COOPERATION AGENCY

図面 23

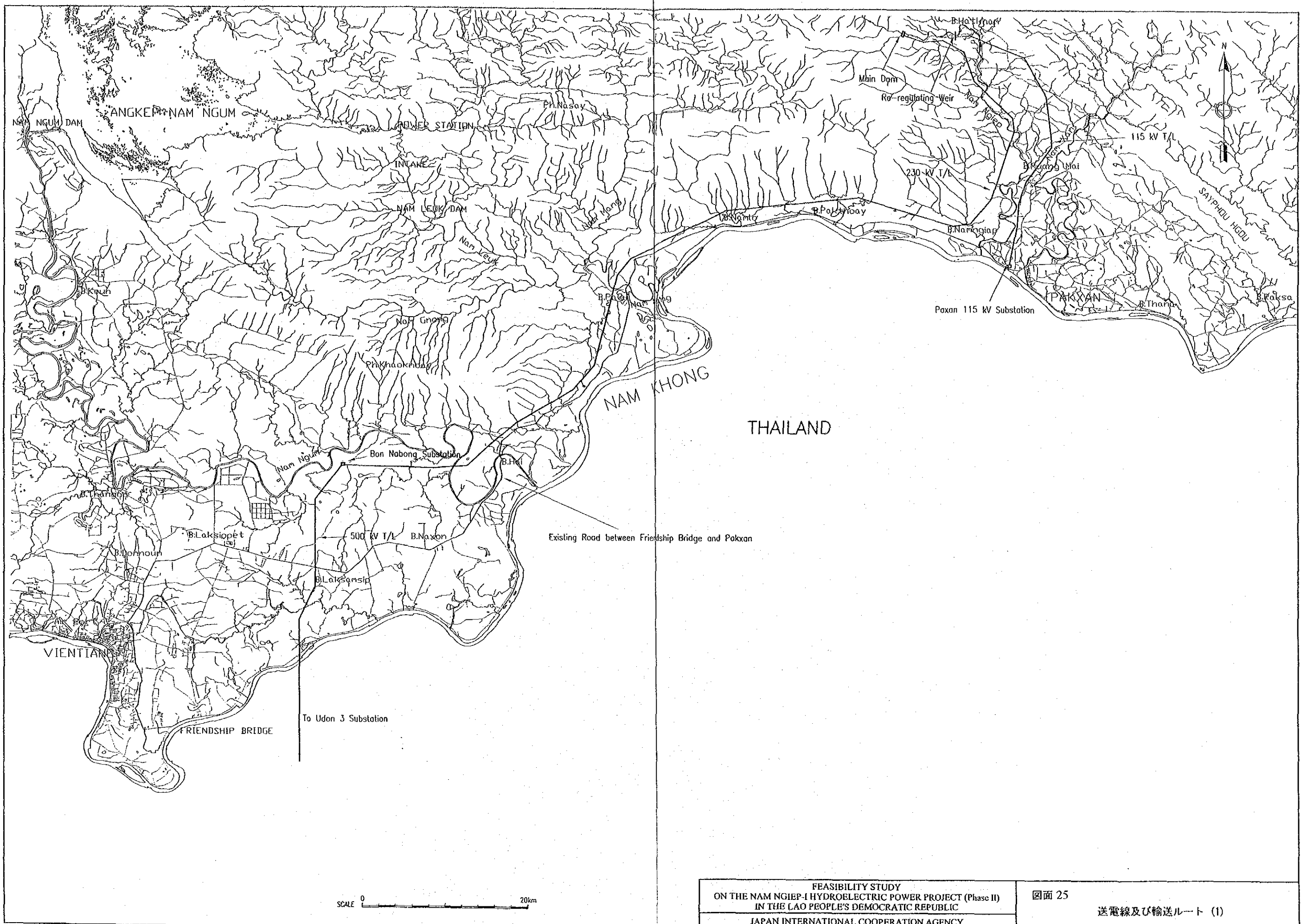
逆調整池ダム、平面及び立面図



FEASIBILITY STUDY
 ON THE NAM NGIEP-I HYDROELECTRIC POWER PROJECT (Phase I)
 IN THE LAO PEOPLE'S DEMOCRATIC REPUBLIC
 JAPAN INTERNATIONAL COOPERATION AGENCY

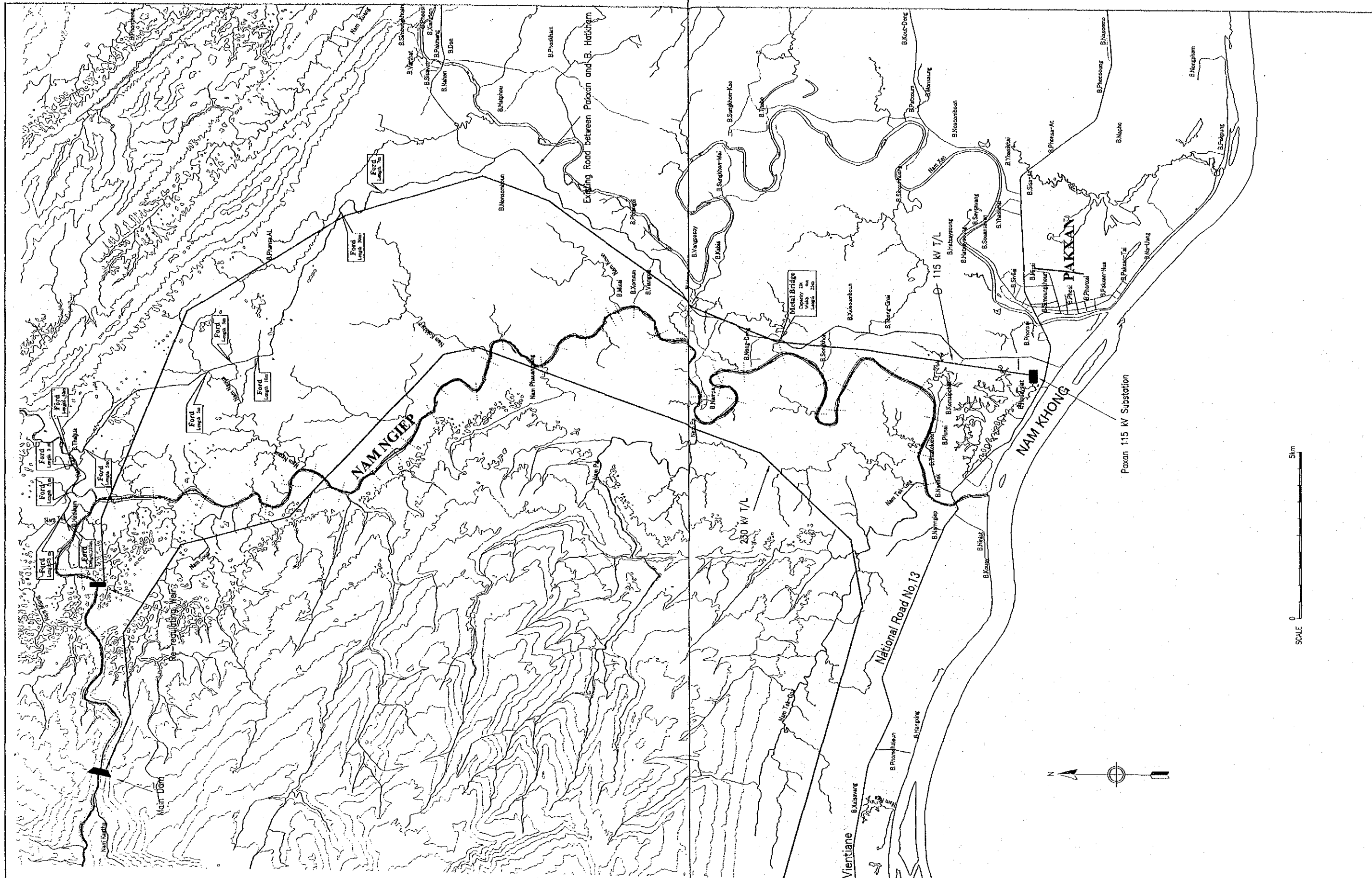
図面 24

逆調整池ダム、断面図

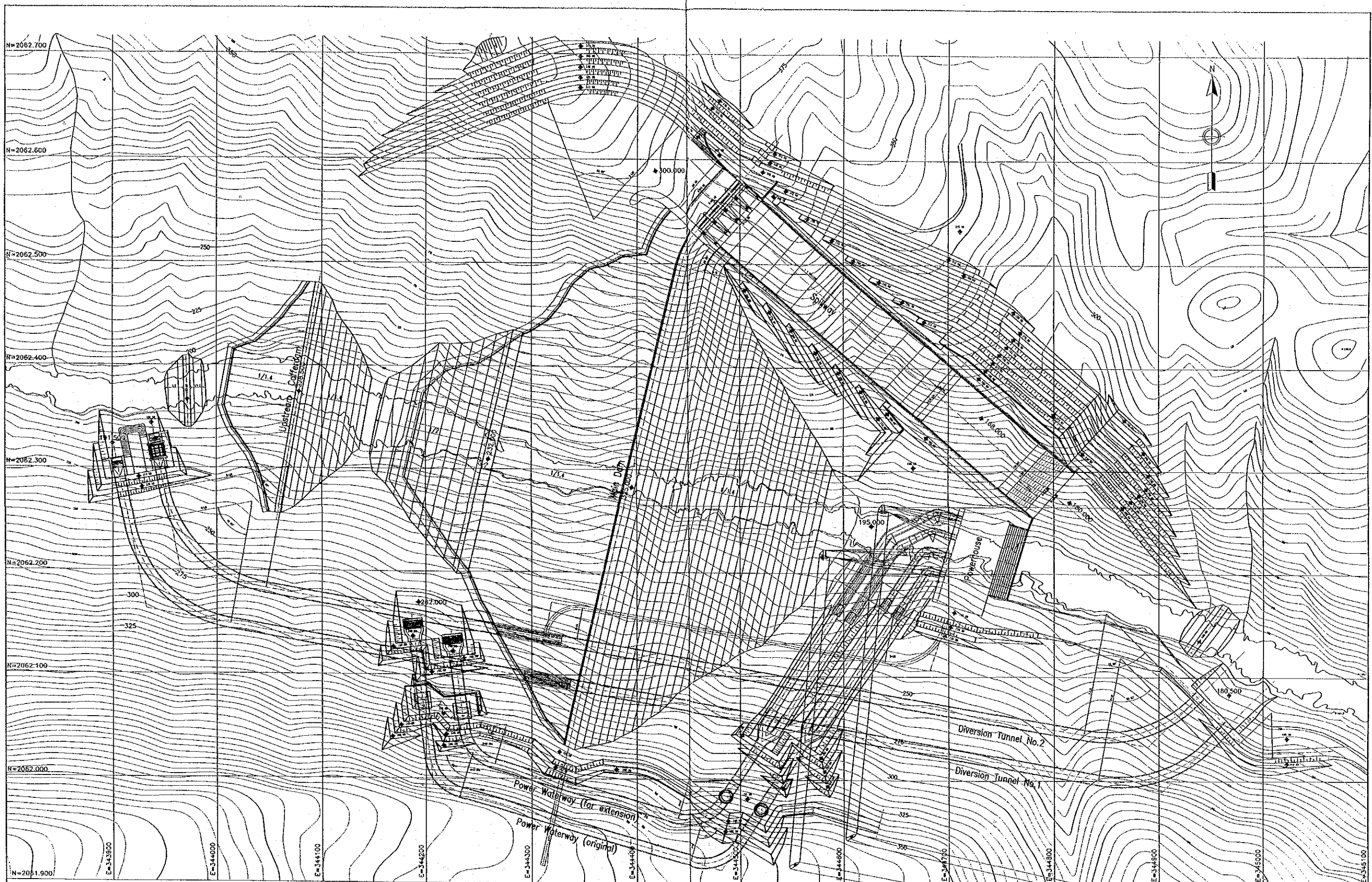


FEASIBILITY STUDY
 ON THE NAM NGIEP-1 HYDROELECTRIC POWER PROJECT (Phase II)
 IN THE LAO PEOPLE'S DEMOCRATIC REPUBLIC
 JAPAN INTERNATIONAL COOPERATION AGENCY

図面 25
 送電線及び輸送ルート (1)



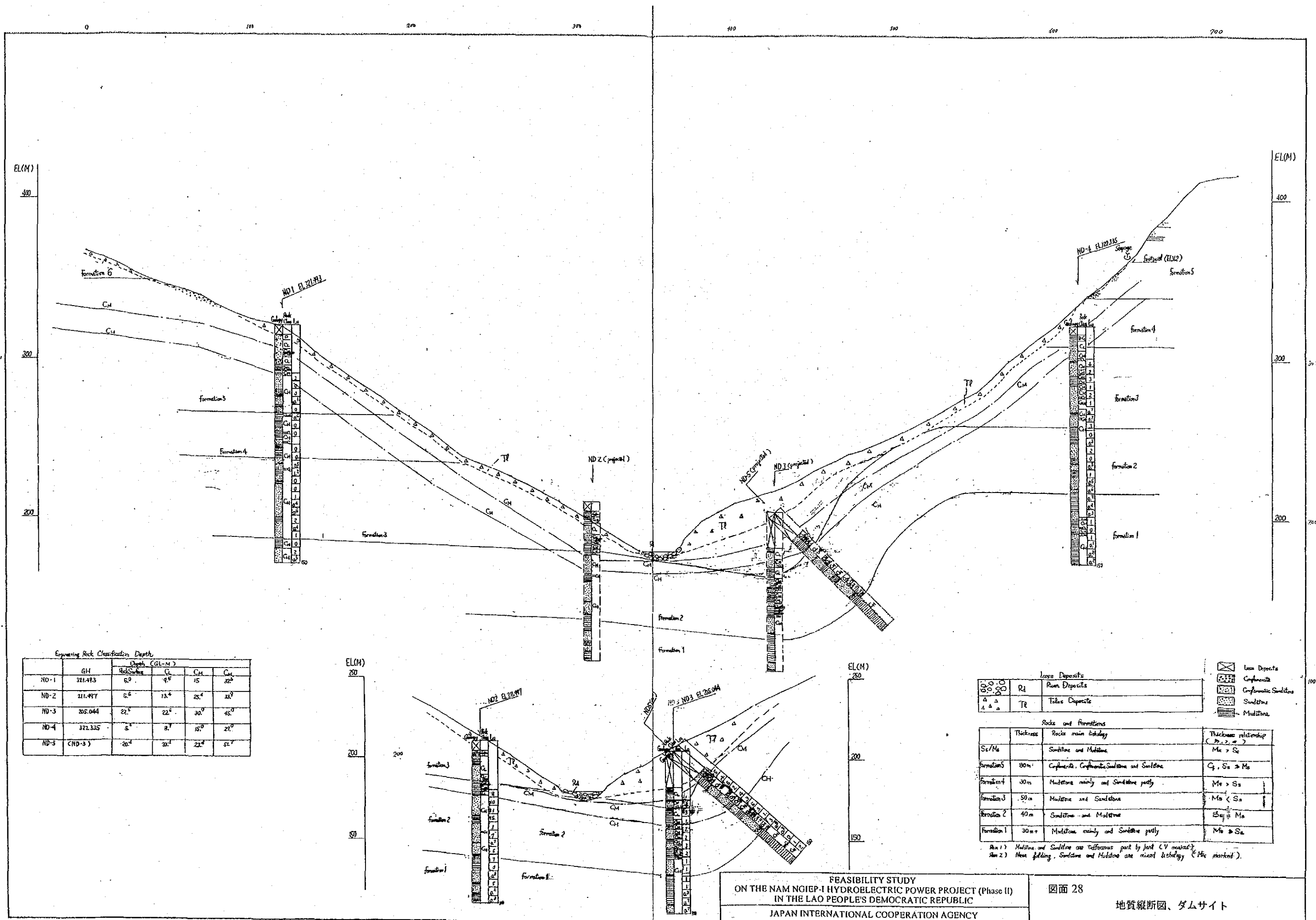
図面 26
 送電線及び輸送ルート (2)



SCALE 0 100m

FEASIBILITY STUDY
 ON THE NAM NGIEP-I HYDROELECTRIC POWER PROJECT (Phase II)
 IN THE LAO PEOPLE'S DEMOCRATIC REPUBLIC
 JAPAN INTERNATIONAL COOPERATION AGENCY

図面 27
 本ダム、一般配置図 (代替案：将来拡張時)



Engineering Rock Classification Depth

No.	GH	Depth (GL-M)			
		Red Sandstone	C ₁	C ₁₄	C ₁₅
ND-1	321.473	6.0	9.5	15	20.5
ND-2	211.477	5.5	13.4	25.4	30.0
ND-3	205.044	22.5	22.5	30.0	45.0
ND-4	322.325	5	8.7	15.0	22.0
ND-5 (ND-3)		20.5	21.5	22.5	31.7

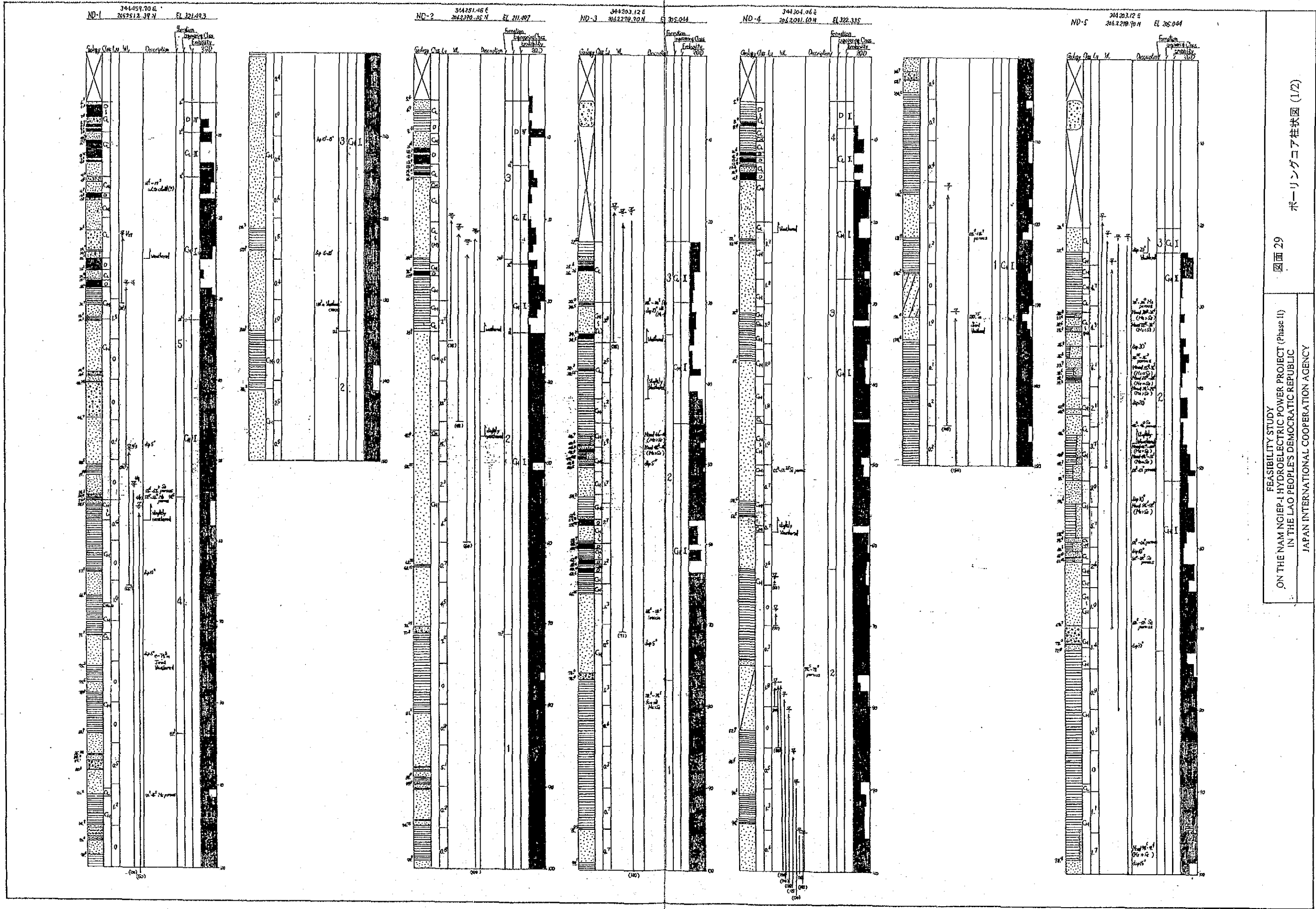
Loose Deposits		
	Rd	Run Deposits
	TR	Talus Deposits

Rocks and Formations			
Se/Ma	Thickness	Rock's main lithology	Thickness relationship (M > S)
Formation 5	80m	Sandstone and Mudstone	M > S
Formation 4	30m	Carbonate, Carbonate Sandstone and Sandstone	C ₁ , S ₁ > M ₁
Formation 3	50m	Mudstone mainly and Sandstone partly	M > S
Formation 2	40m	Mudstone and Sandstone	M < S
Formation 1	30m+	Sandstone and Mudstone	S > M

An 1) Mudstone and Sandstone are tuffaceous part by part (V marked).
 An 2) Near folding, Sandstone and Mudstone are mixed lithology (M₁ marked).

FEASIBILITY STUDY
 ON THE NAM NGIEP-I HYDROELECTRIC POWER PROJECT (Phase II)
 IN THE LAO PEOPLE'S DEMOCRATIC REPUBLIC
 JAPAN INTERNATIONAL COOPERATION AGENCY

図面 28
 地質縦断面図、ダムサイト

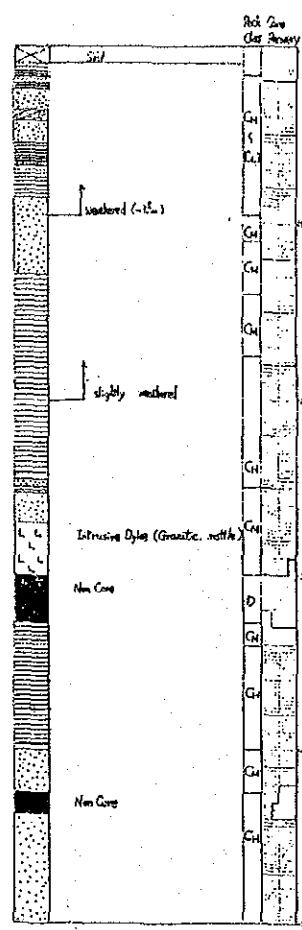


ボーリングコア柱状図 (1/2)

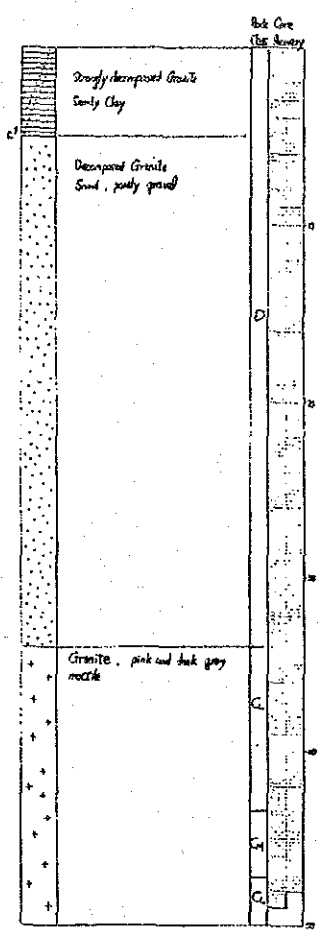
図面 29

FEASIBILITY STUDY
ON THE NAM NCIEP-1 HYDROELECTRIC POWER PROJECT (Phase II)
IN THE LAO PEOPLE'S DEMOCRATIC REPUBLIC
JAPAN INTERNATIONAL COOPERATION AGENCY

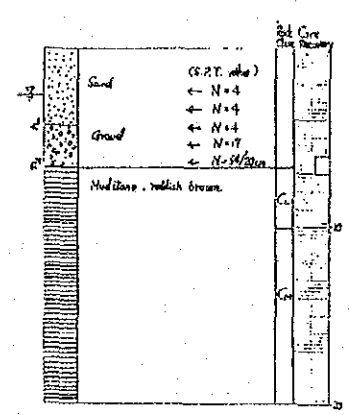
NG-1 241200E 2051240.4 N. EL. 225



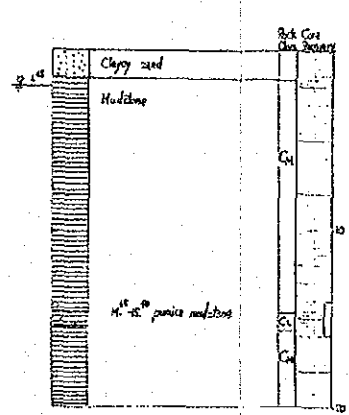
NG-2 227861E 2071521.1 N. EL. 400



NR-1 249380.67E 2052541.21 N. EL. 02442



NR-2 248218.41E 2052541.94 N. EL. 01355



JICA



L18