

### Annex 3.3 Waste Flow 206 Factories Surveyed

#### 3.3.1 Now-HW

##### a. All Factory Categories / All Types of Waste

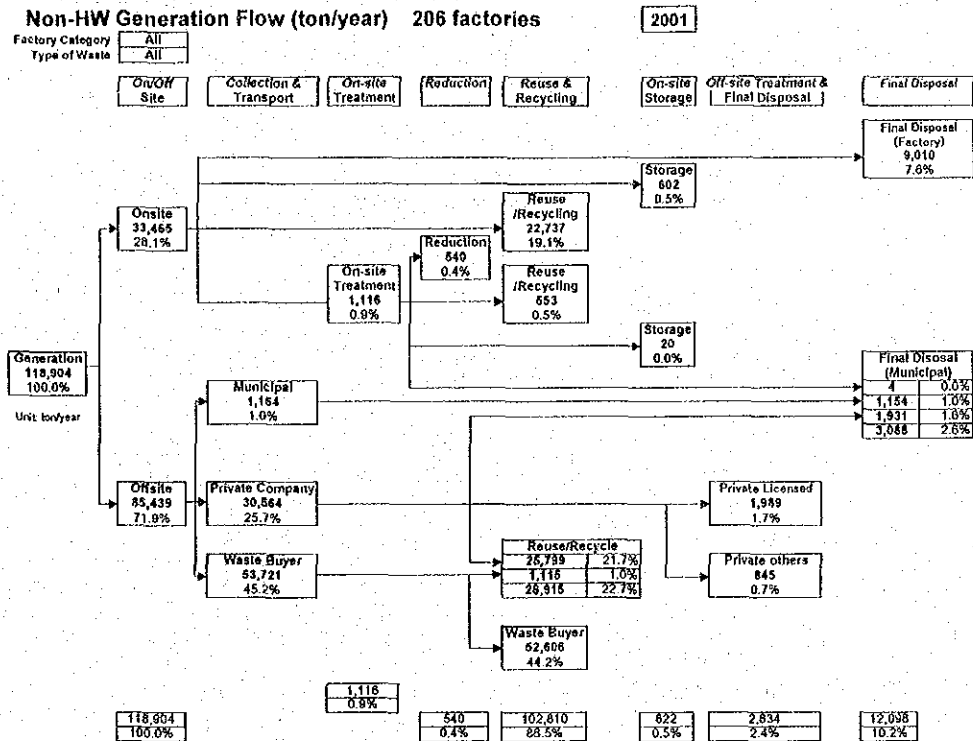


Figure 3-1: Non-HW Flow (All types of non-HW from 206 factories surveyed)

b. By Type of Waste

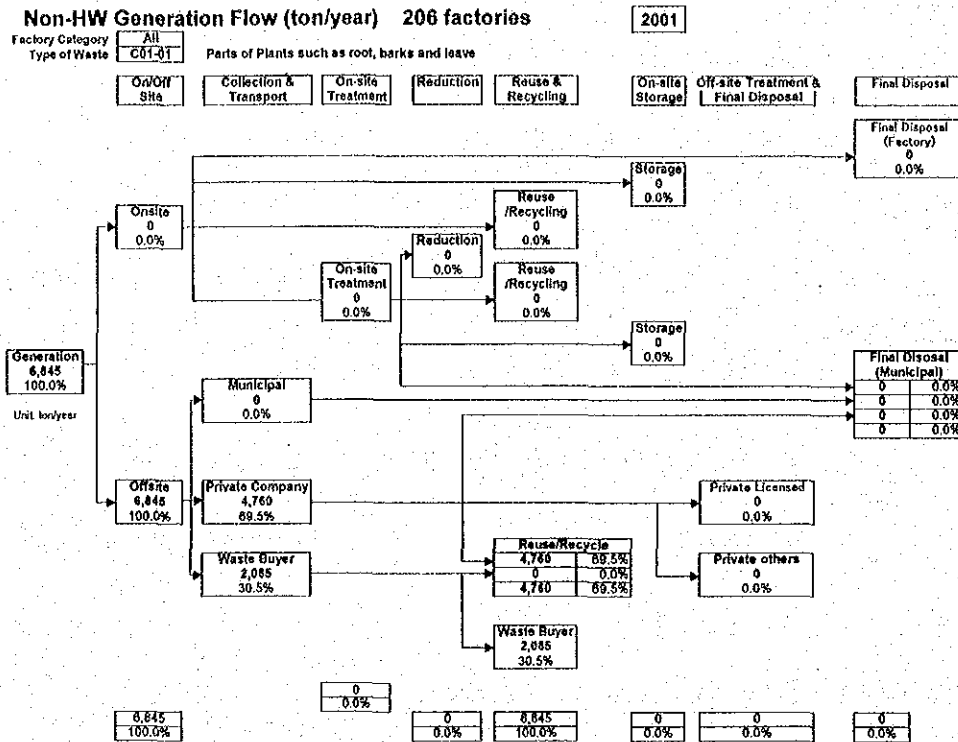


Figure 3-2: Non-HW Flow (C01-01 from 206 factories surveyed)

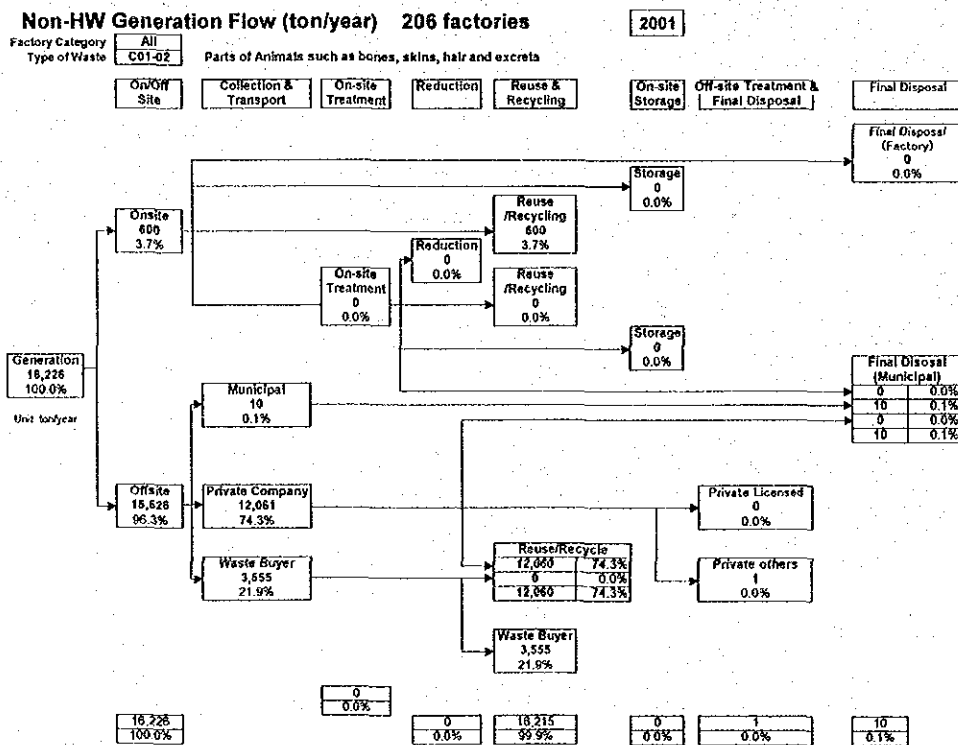


Figure 3-3: Non-HW Flow (All – C01-02 from 206 factories surveyed)

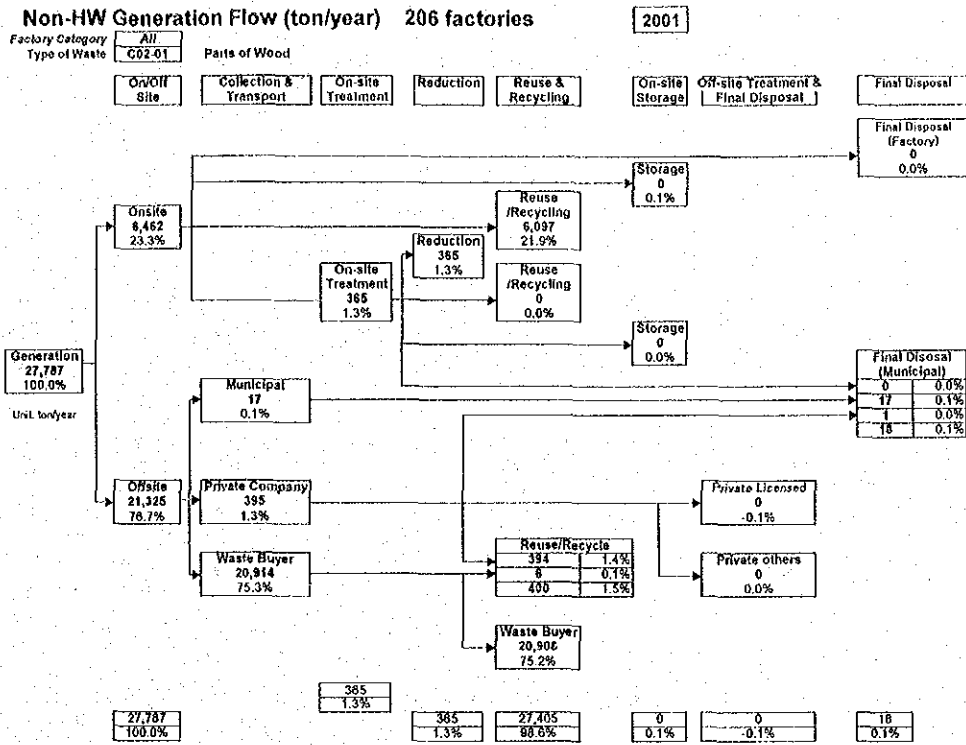


Figure 3-4: Non-HW Flow (C02 from 206 factories surveyed)

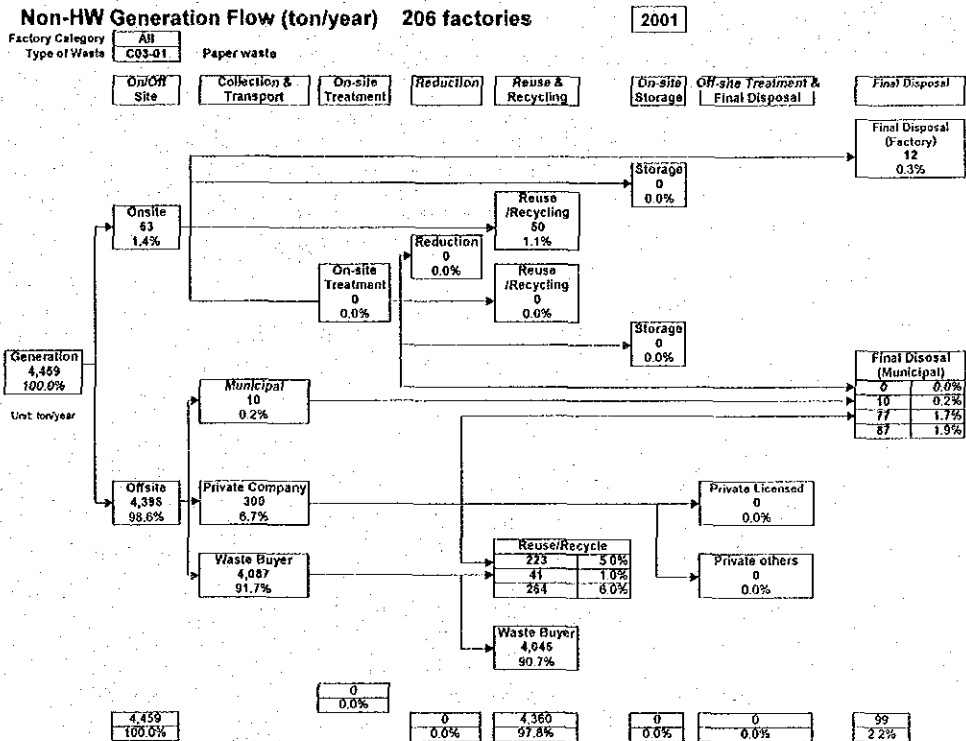


Figure 3-5: Non-HW Flow (C03 from 206 factories surveyed)

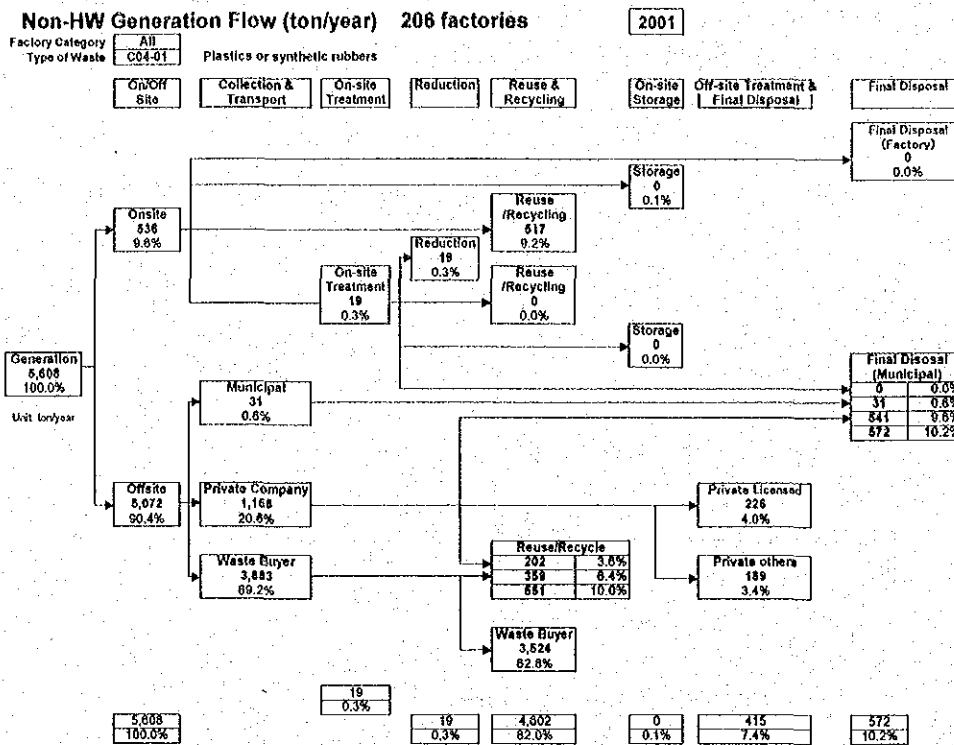


Figure 3-6: Non-HW Flow (C04 from 206 factories surveyed)

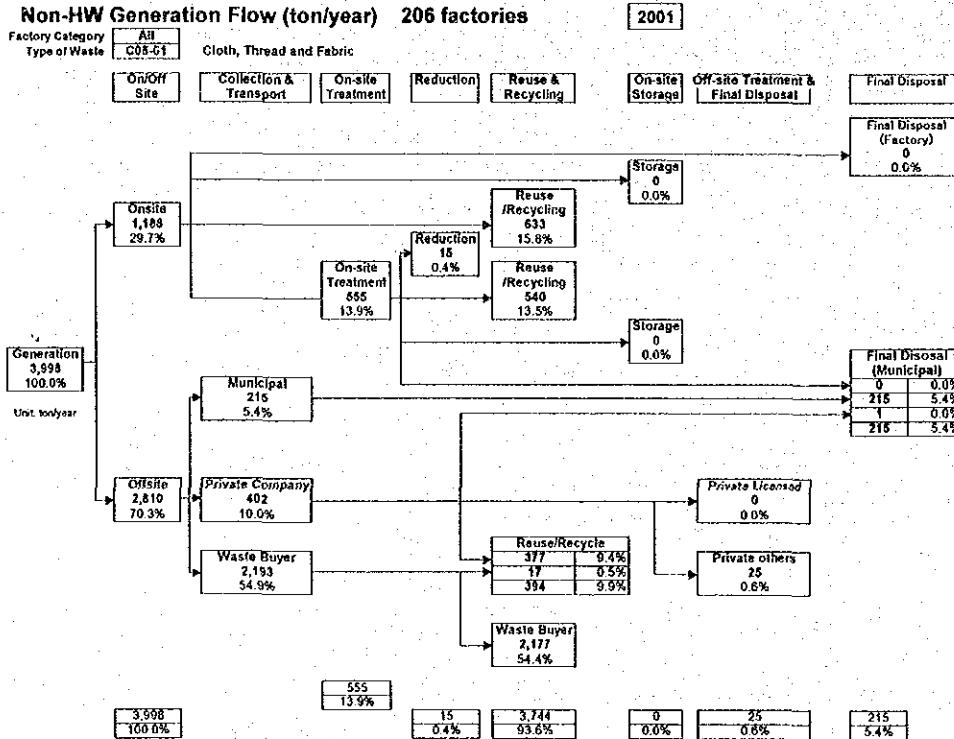


Figure 3-7: Non-HW Flow (C05 from 206 factories surveyed)

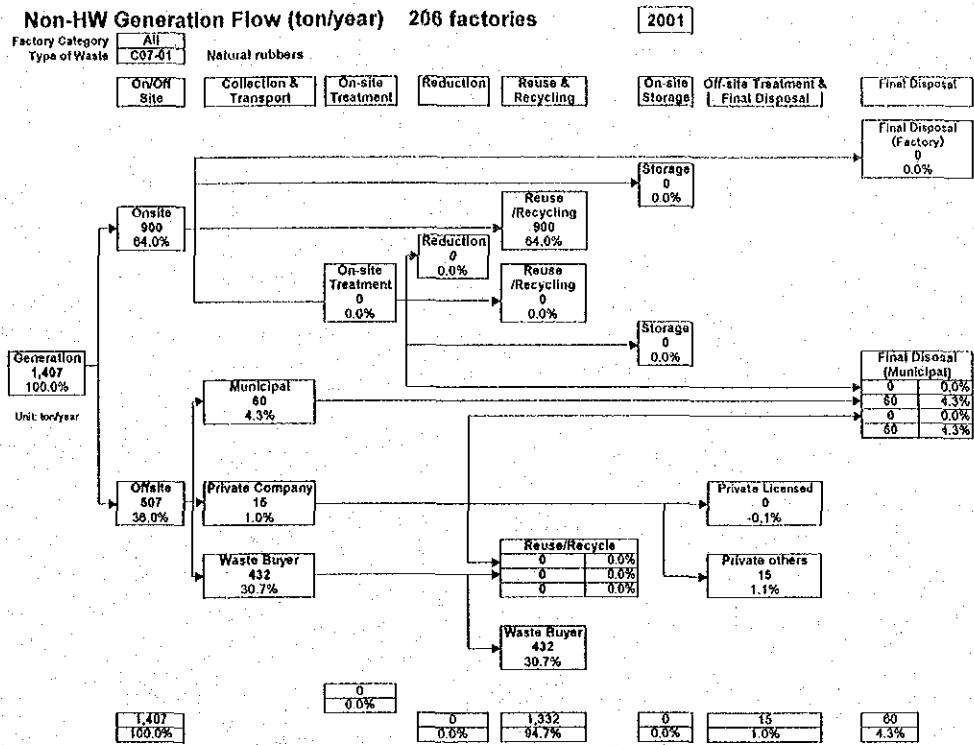


Figure 3-8: Non-HW Flow (C07 from 206 factories surveyed)

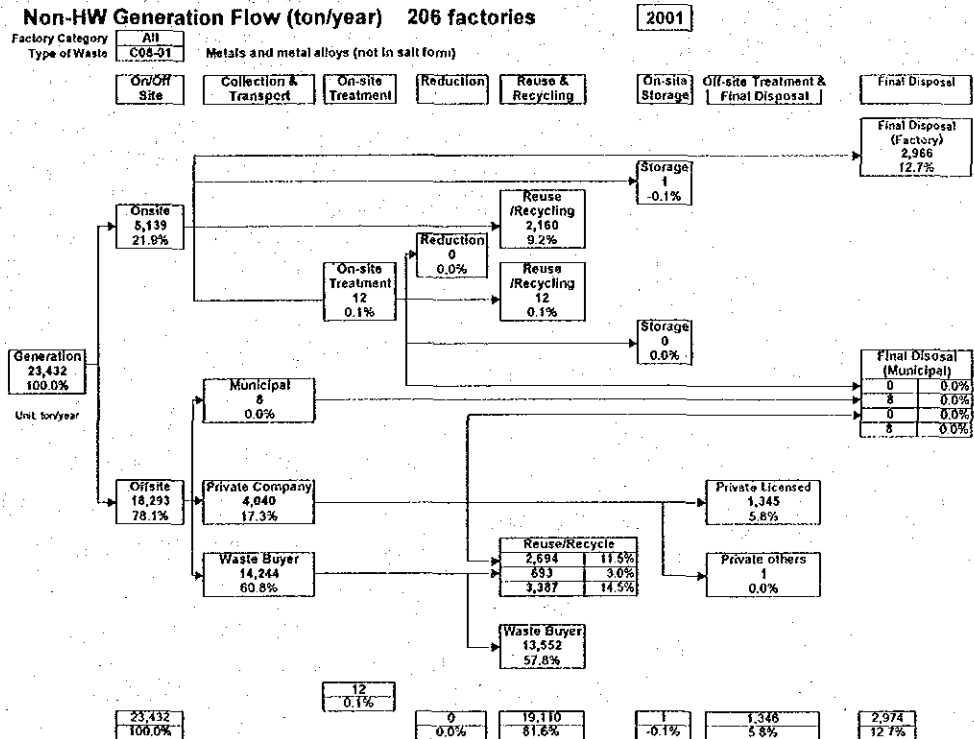


Figure 3-9: Non-HW Flow (C08 from 206 factories surveyed)

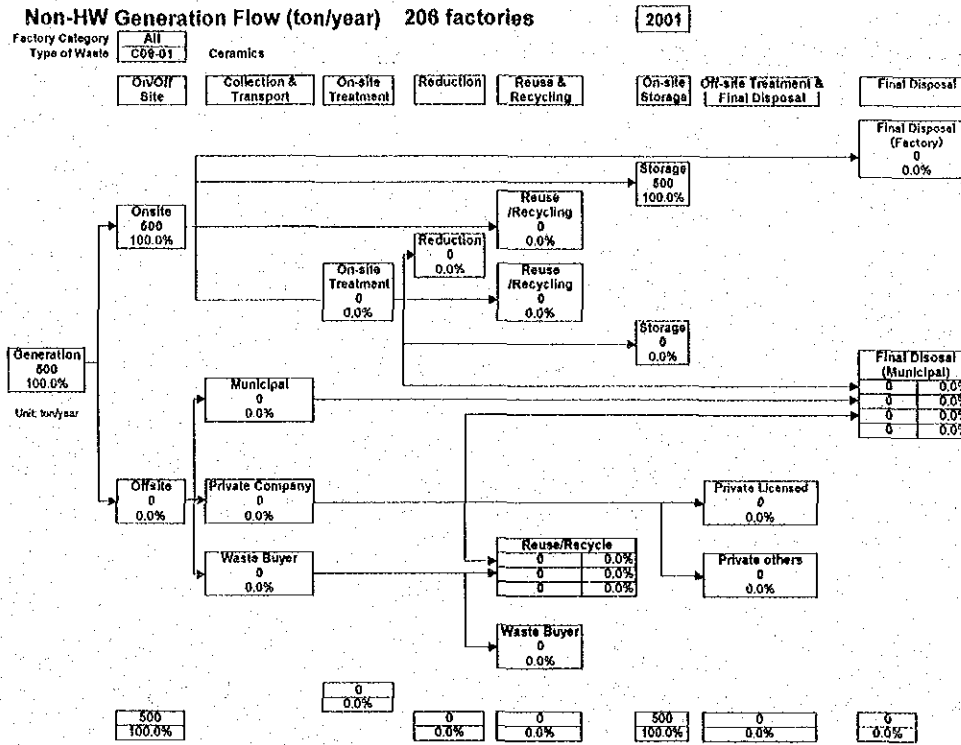


Figure 3-10: Non-HW Flow (C09-01 from 206 factories surveyed)

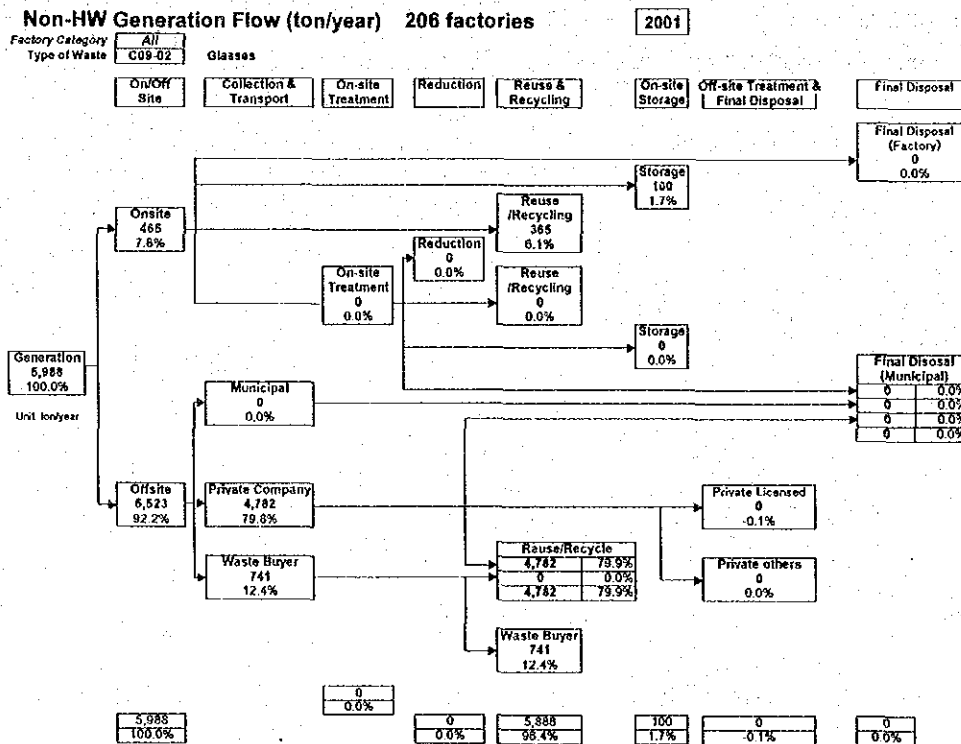


Figure 3-11: Non-HW Flow (C09-02 from 206 factories surveyed)

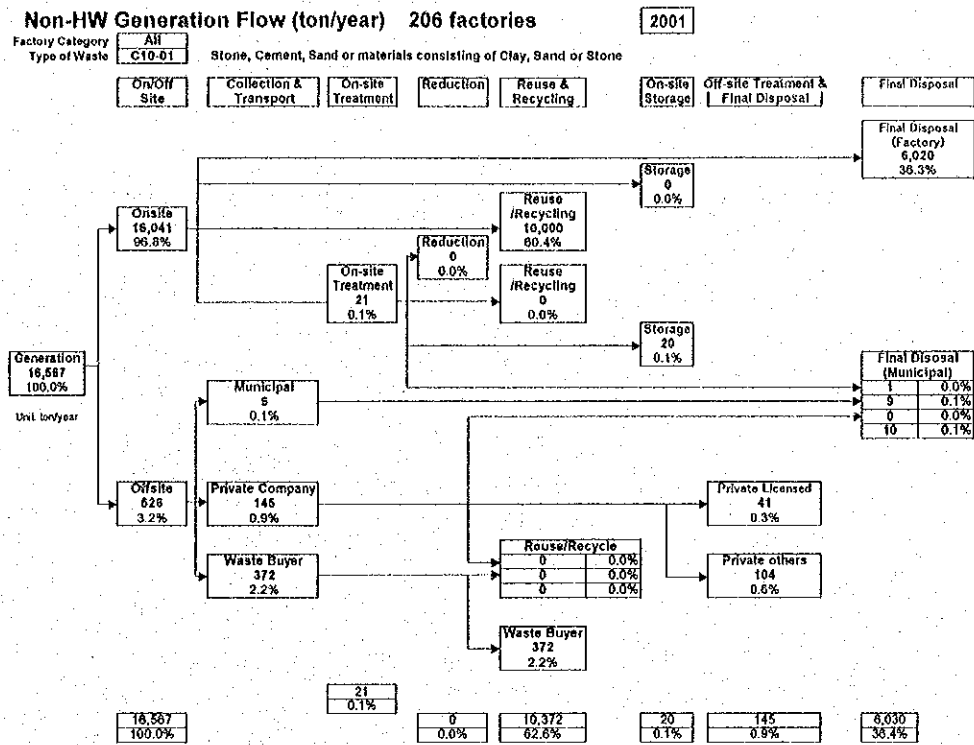


Figure 3-12: Non-HW Flow (C10 from 206 factories surveyed)

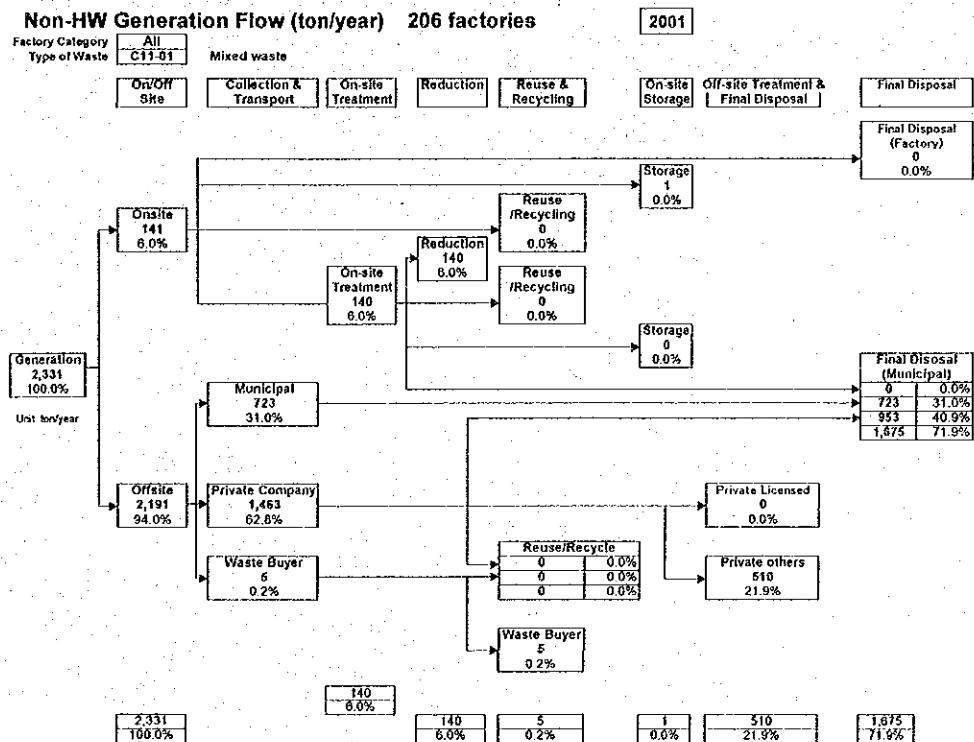


Figure 3-13: Non-HW Flow (C11 from 206 factories surveyed)

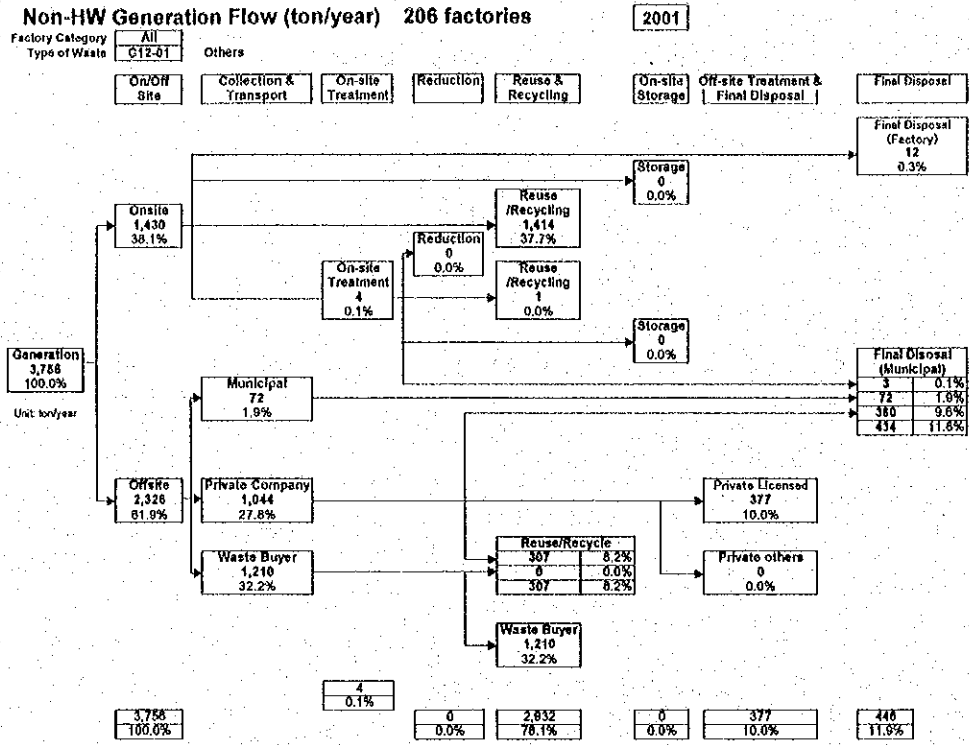


Figure 3-14: Non-HW Flow (C12 from 206 factories surveyed)



c. By Factory Category

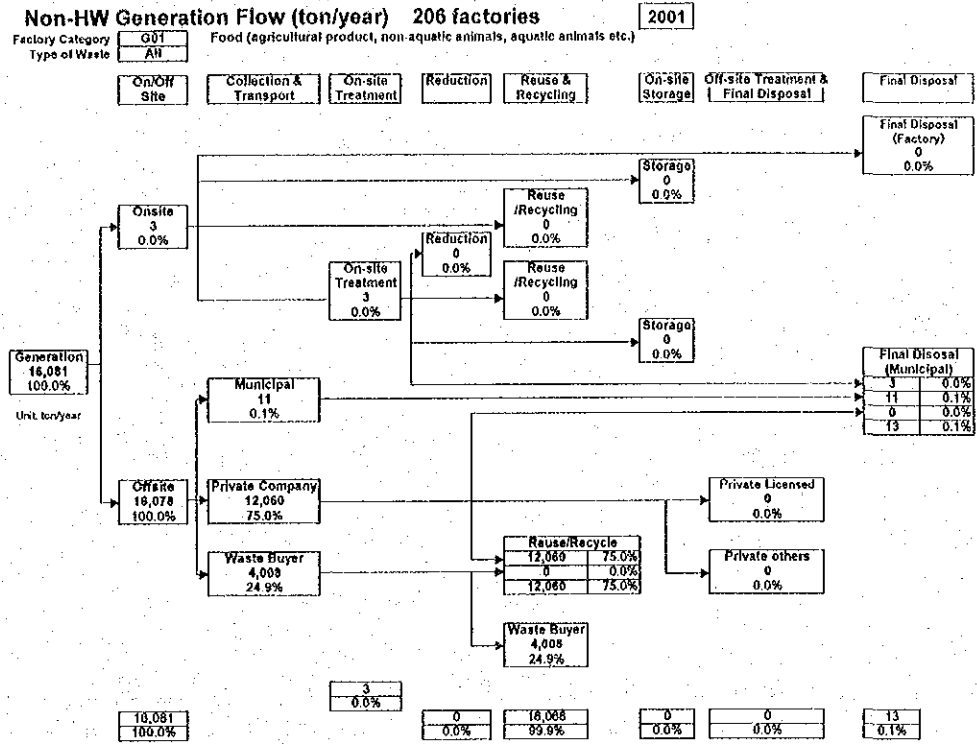


Figure 3-15: Non-HW Flow (All types of Non-HW from G01 among 206 factories surveyed)

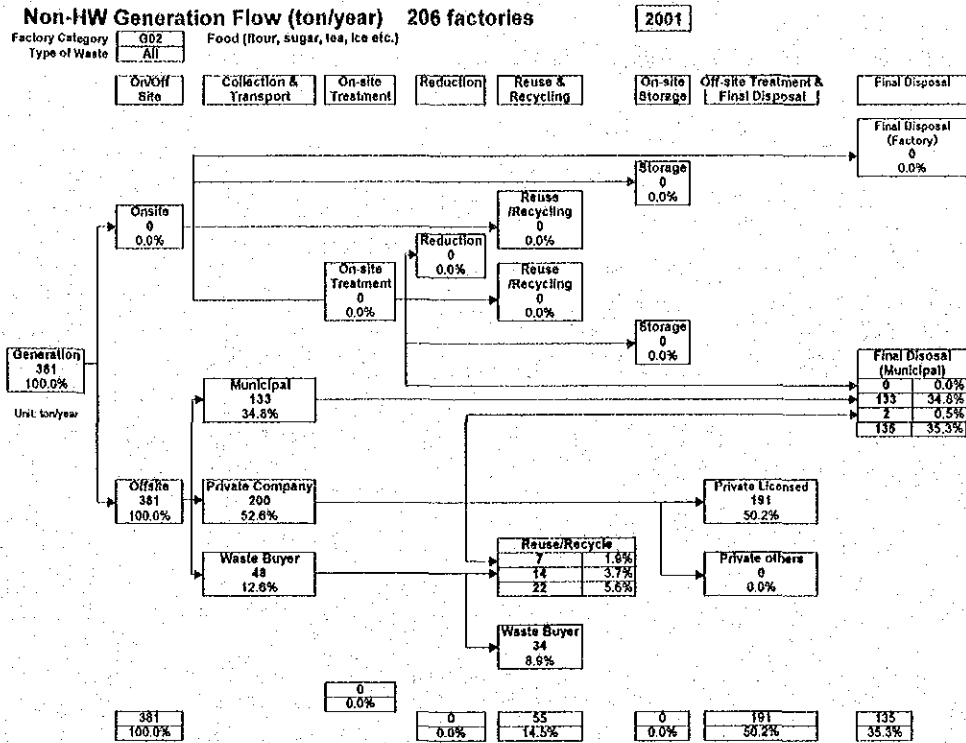


Figure 3-16: Non-HW Flow (All types of Non-HW from G02 among 206 factories surveyed)

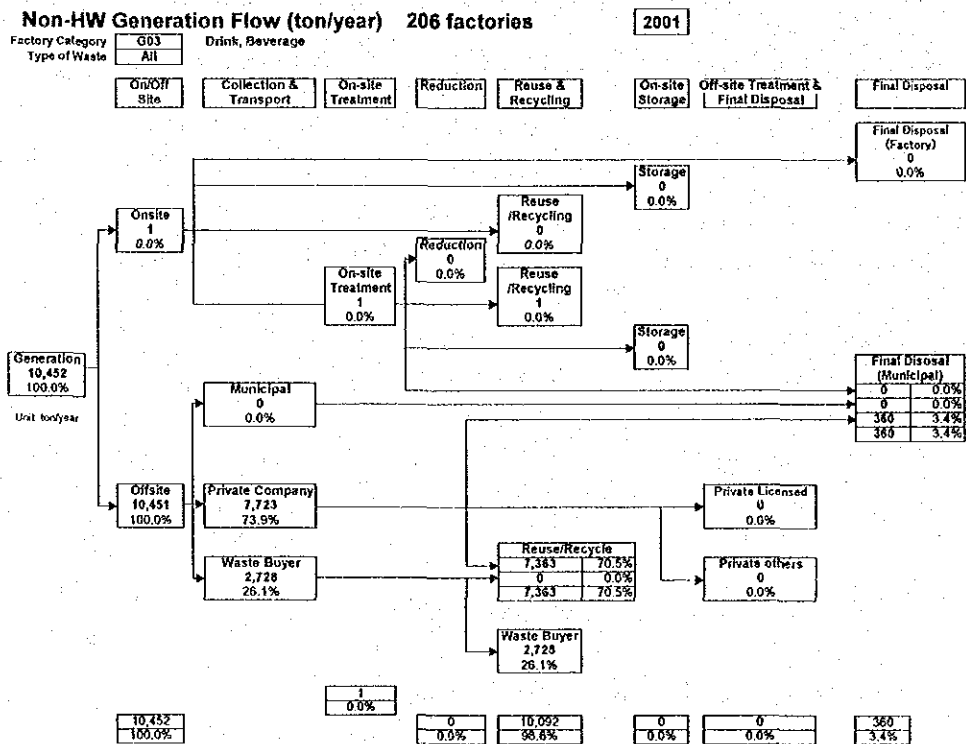


Figure 3-17: Non-HW Flow (All types of Non-HW from G03 among 206 factories surveyed)

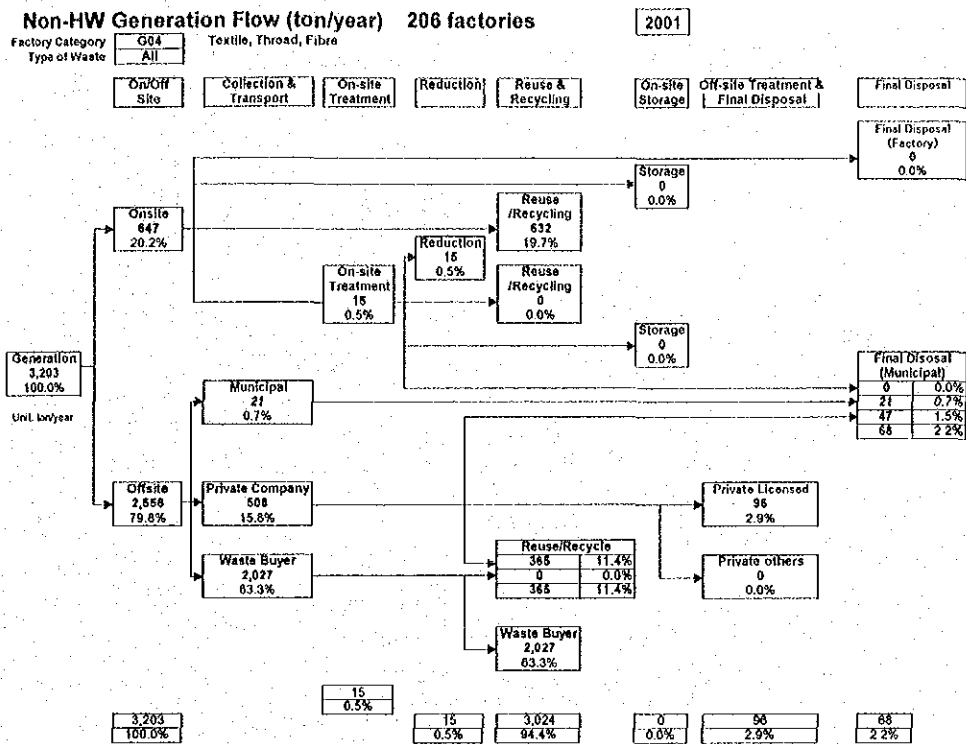


Figure 3-18: Non-HW Flow (All types of Non-HW from G04 among 206 factories surveyed)

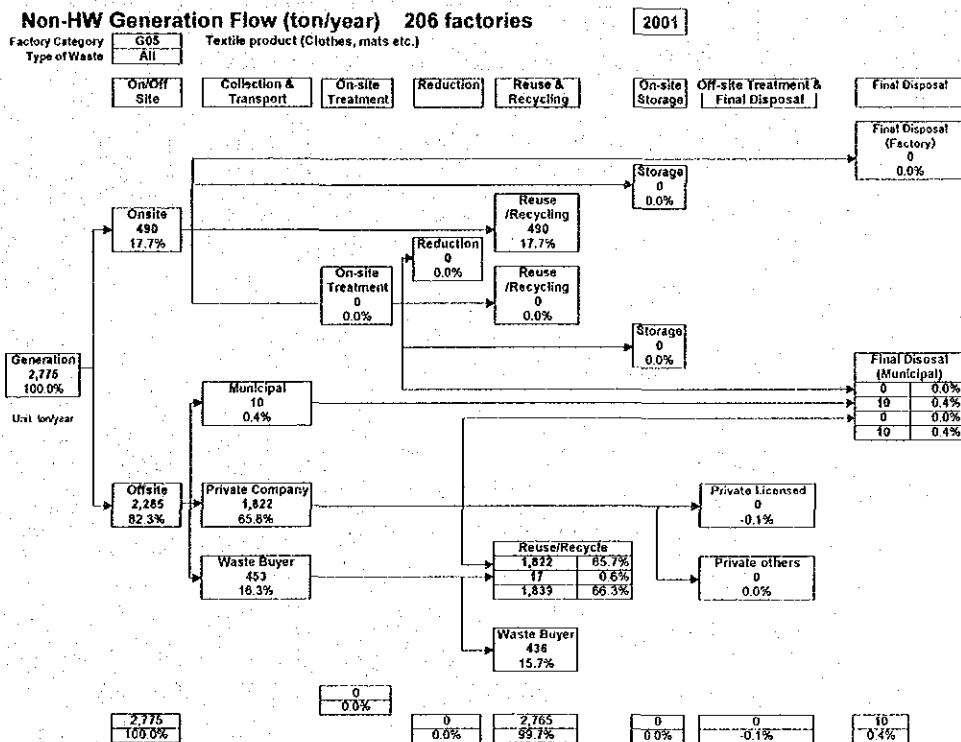


Figure 3-19: Non-HW Flow (All types of Non-HW from G05 among 206 factories surveyed)

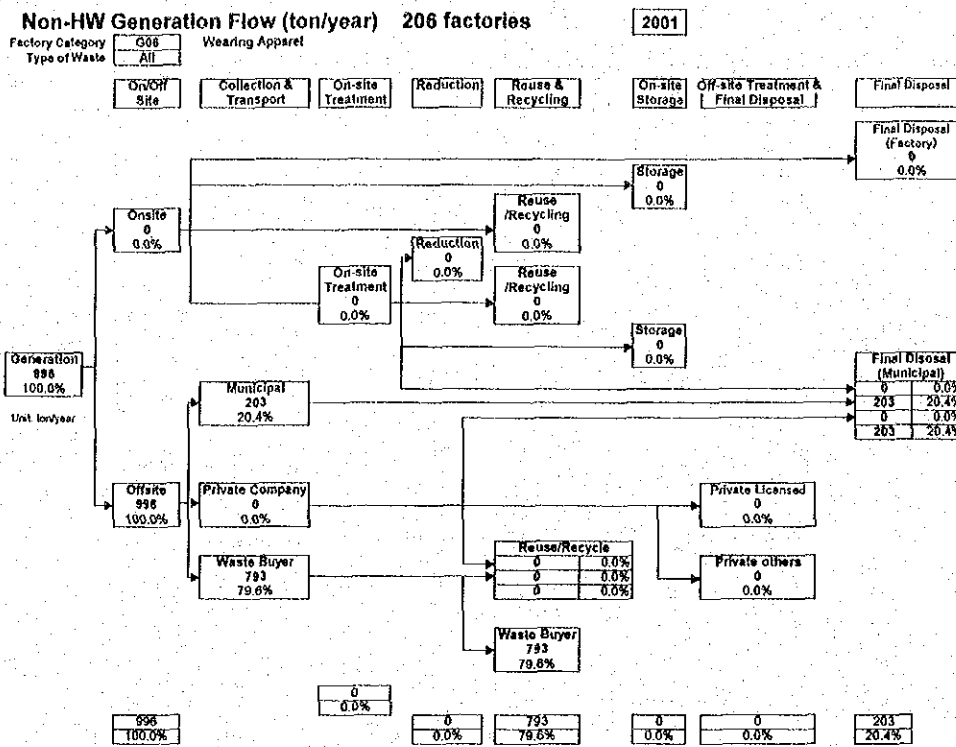


Figure 3-20: Non-HW Flow (All types of Non-HW from G06 among 206 factories surveyed)

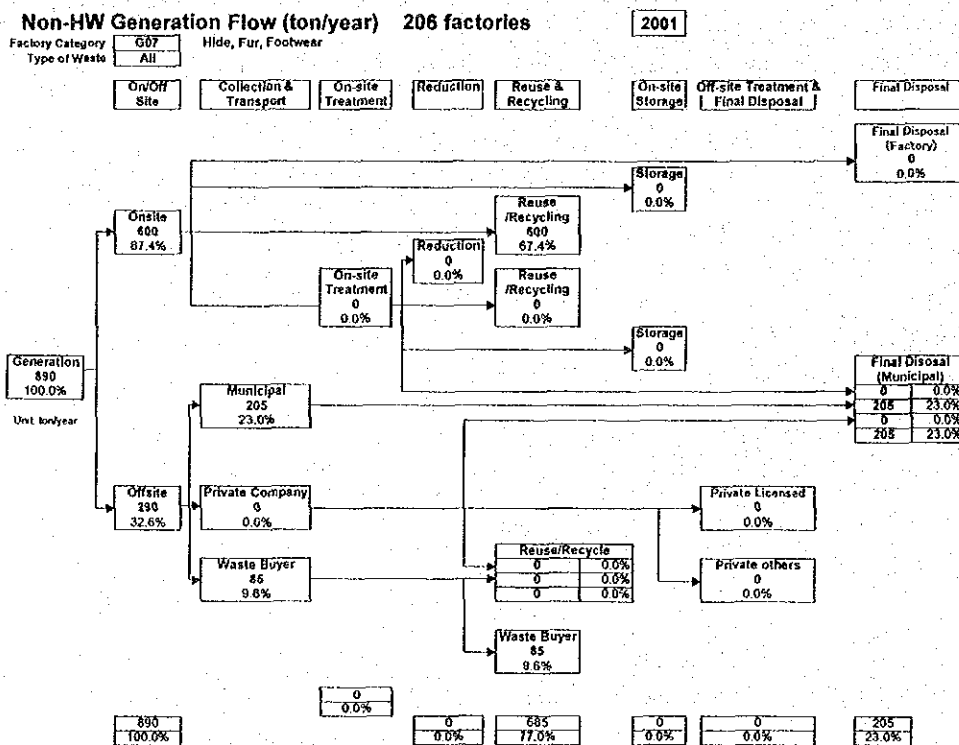


Figure 3-21: Non-HW Flow (All types of Non-HW from G07 among 206 factories surveyed)

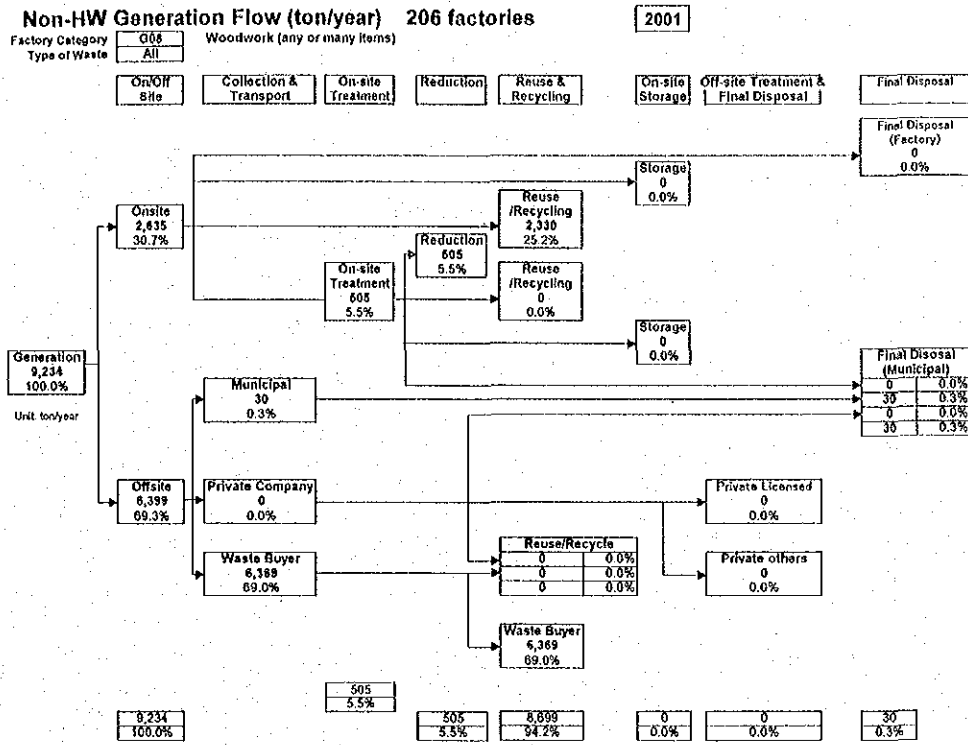


Figure 3-22: Non-HW Flow (All types of Non-HW from G08 among 206 factories surveyed)

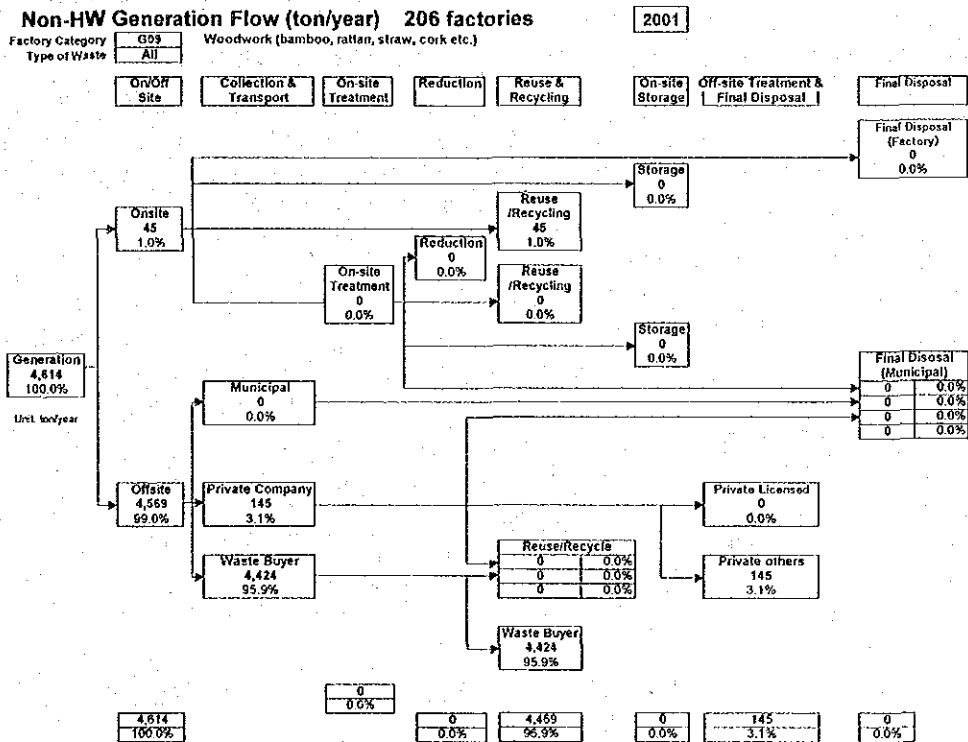


Figure 3-23: Non-HW Flow (All types of Non-HW from G09 among 206 factories surveyed)

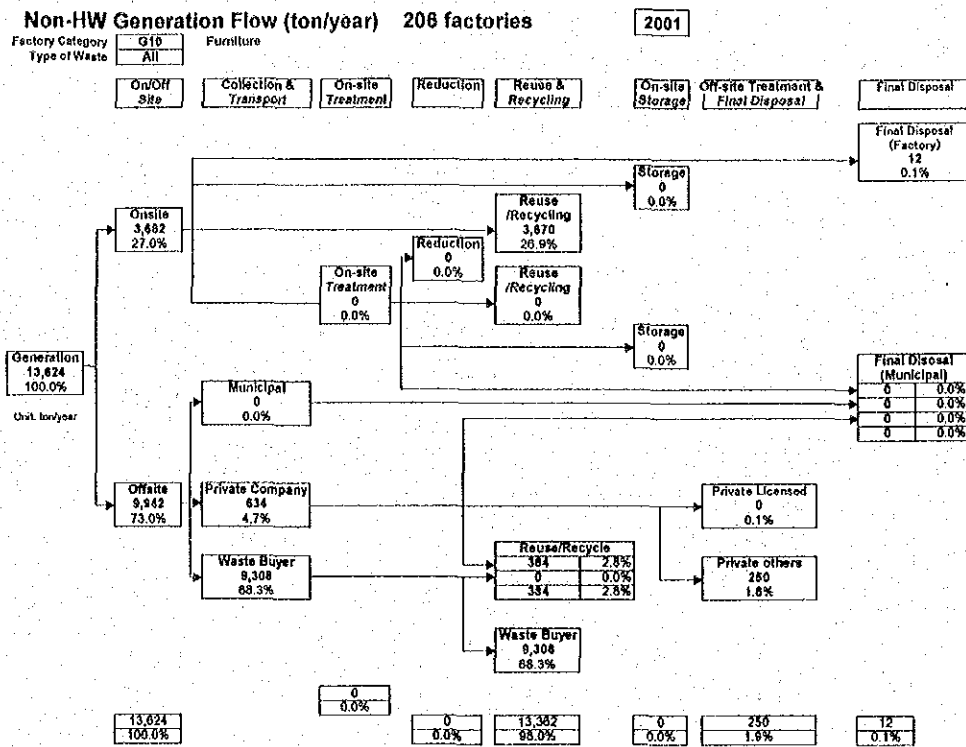


Figure 3-24: Non-HW Flow (All types of Non-HW from G10 among 206 factories surveyed)

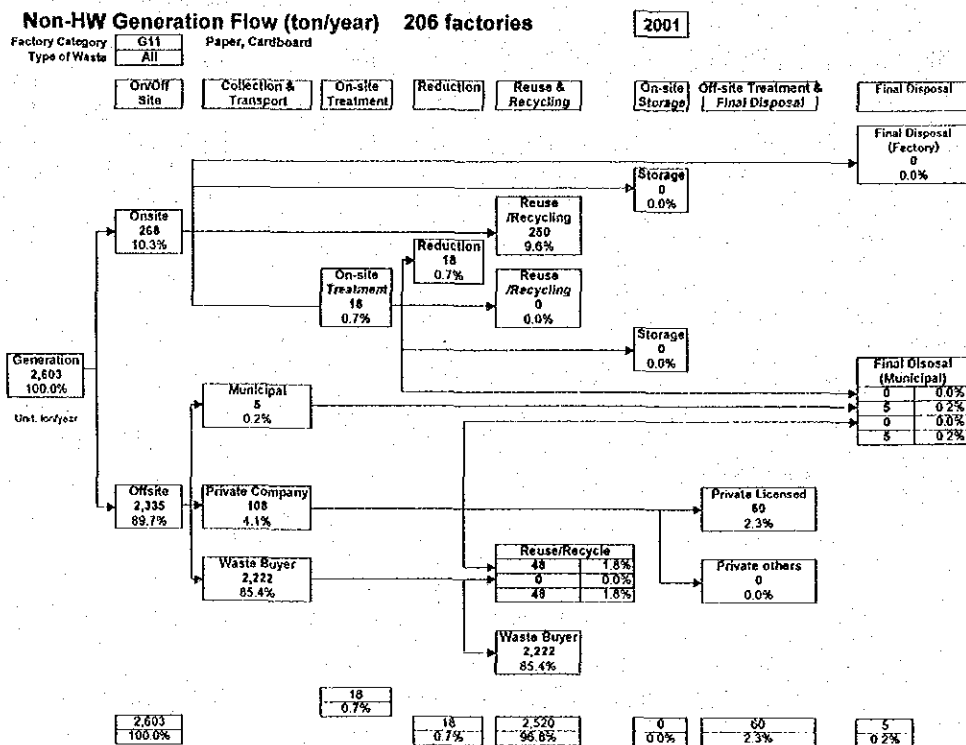


Figure 3-25: Non-HW Flow (All types of Non-HW from G11 among 206 factories surveyed)

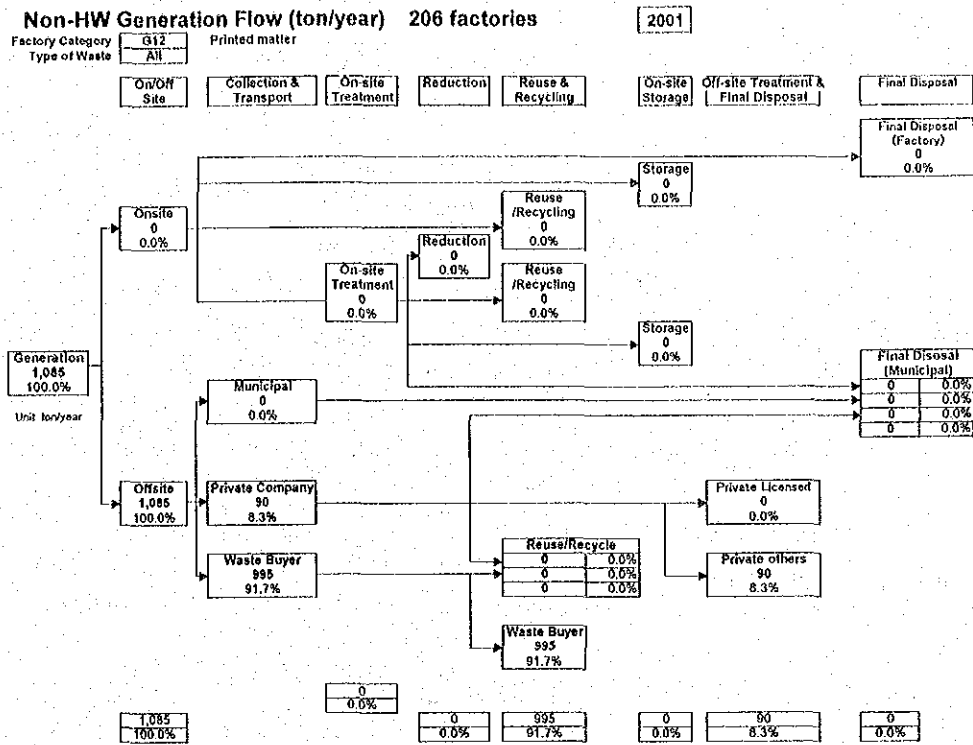


Figure 3-26: Non-HW Flow (All types of Non-HW from G12 among 206 factories surveyed)

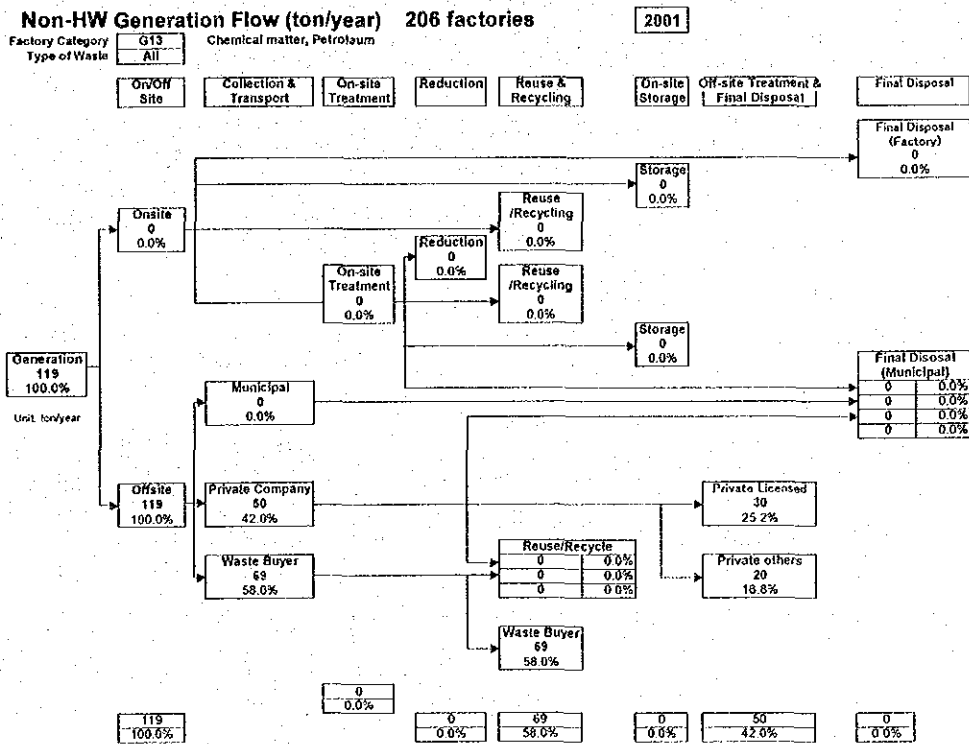


Figure 3-27: Non-HW Flow (All types of Non-HW from G13 among 206 factories surveyed)

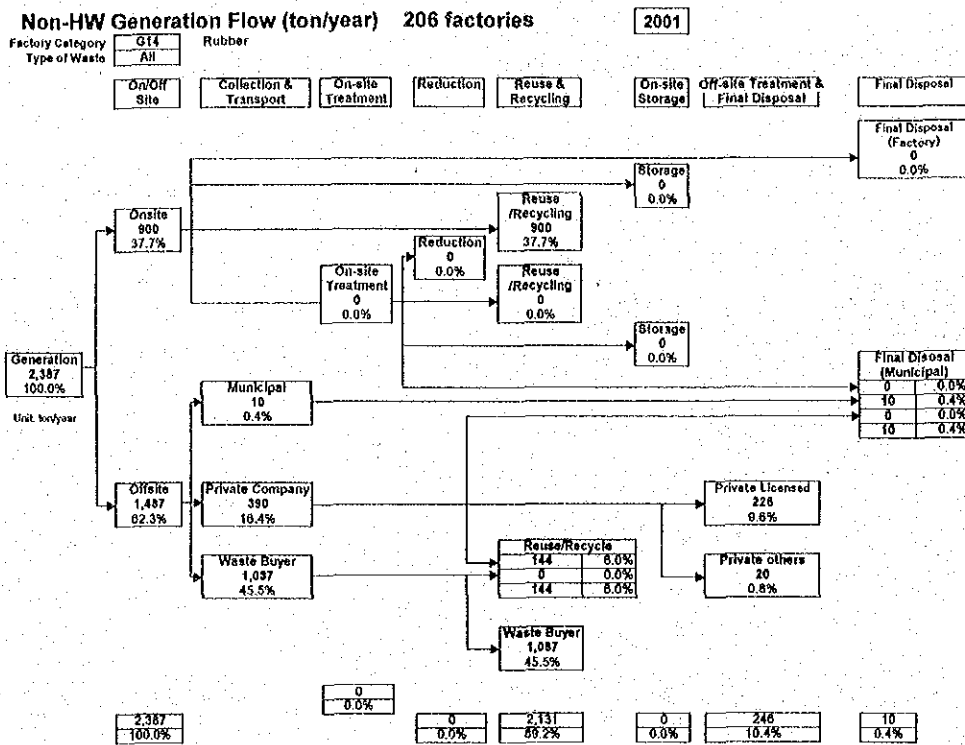


Figure 3-28: Non-HW Flow (All types of Non-HW from G14 among 206 factories surveyed)

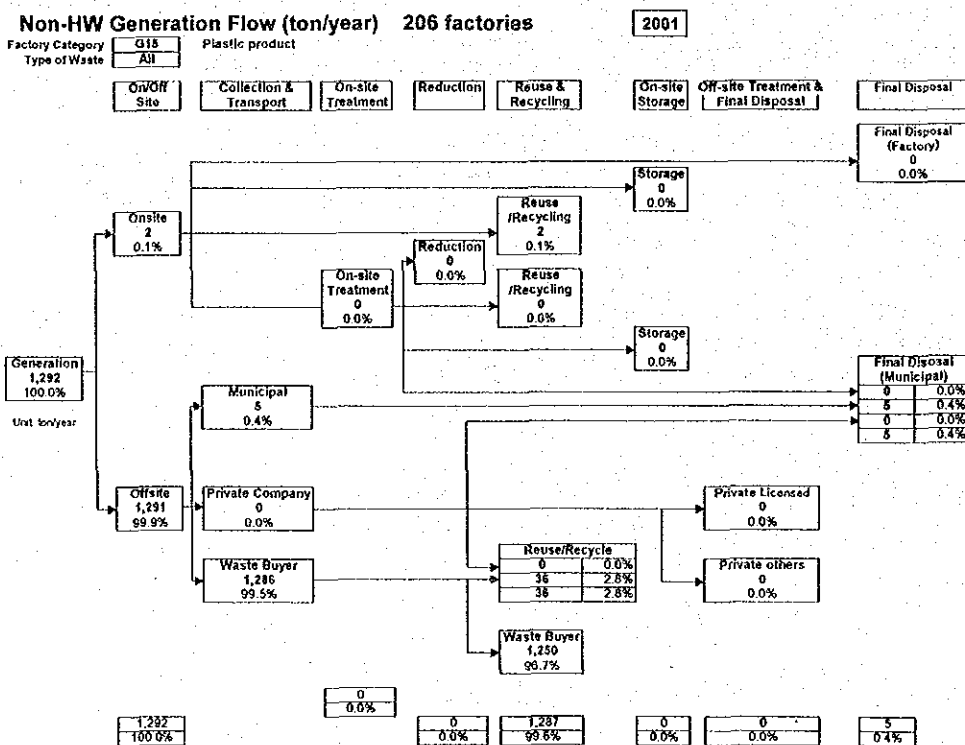


Figure 3-29: Non-HW Flow (All types of Non-HW from G15 among 206 factories surveyed)



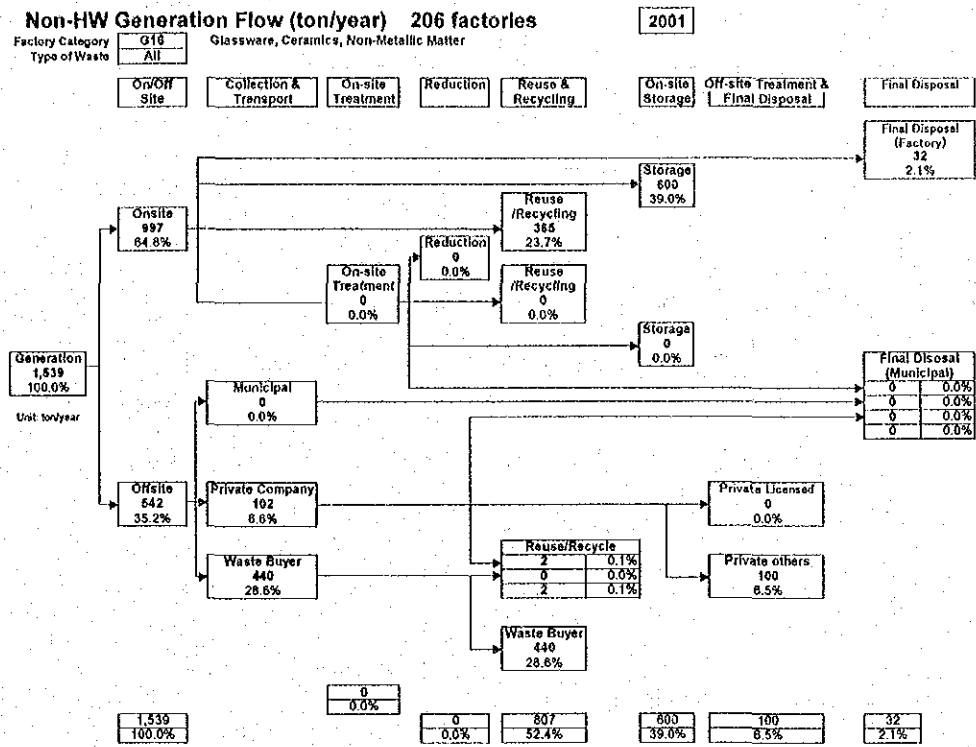


Figure 3-30: Non-HW Flow (All types of Non-HW from G16 among 206 factories surveyed)

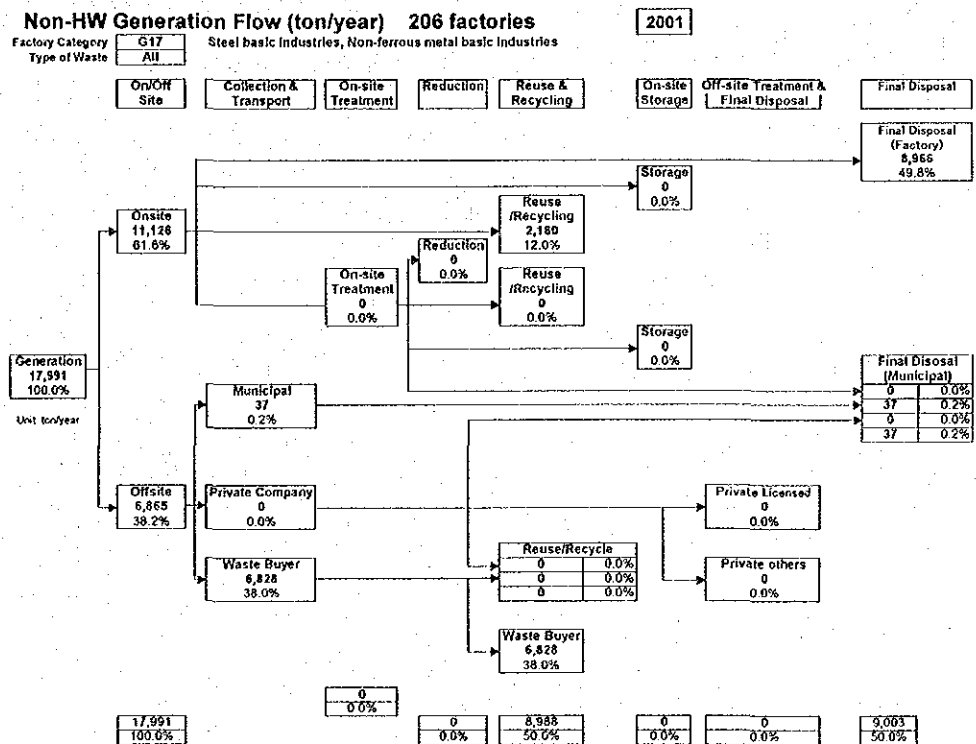


Figure 3-31: Non-HW Flow (All types of Non-HW from G17 among 206 factories surveyed)

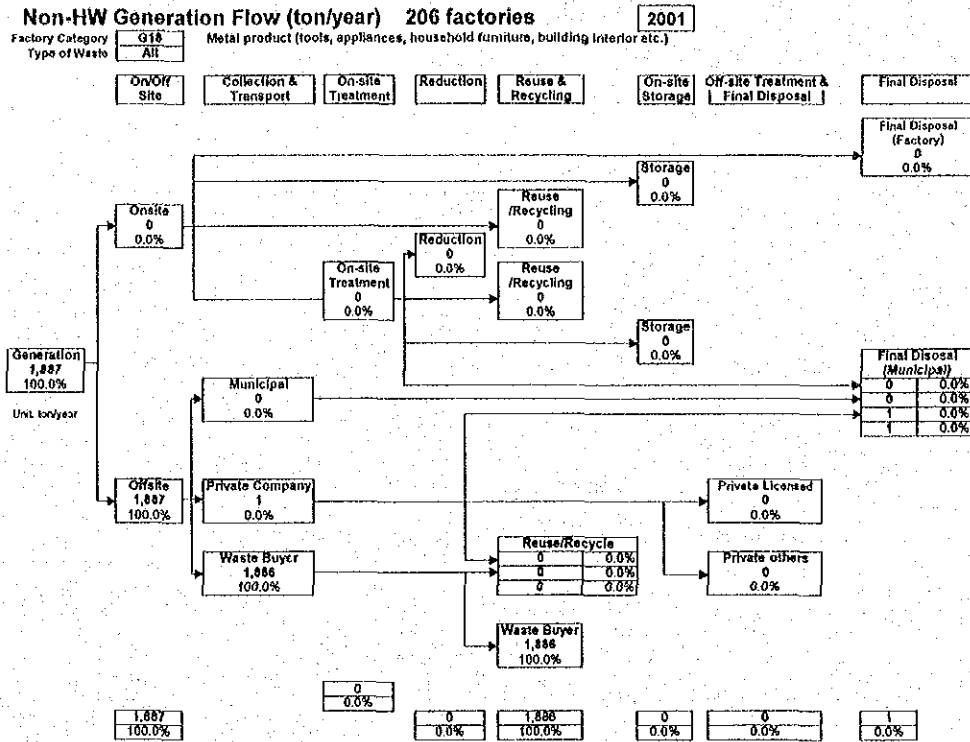


Figure 3-32: Non-HW Flow (All types of Non-HW from G18 among 206 factories surveyed)

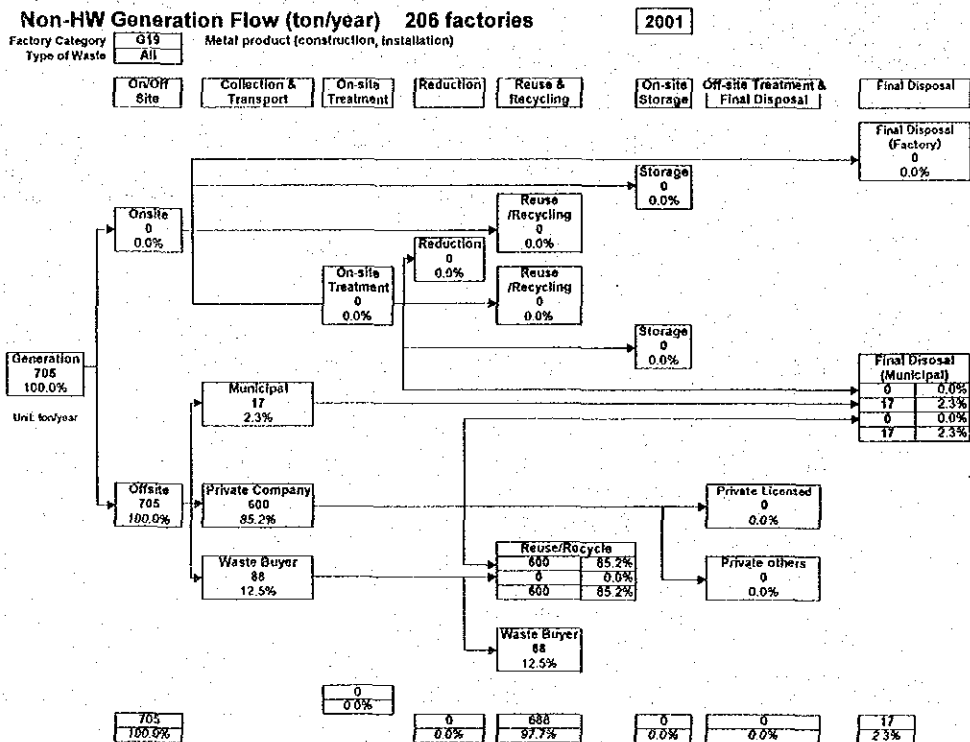


Figure 3-33: Non-HW Flow (All types of Non-HW from G19 among 206 factories surveyed)

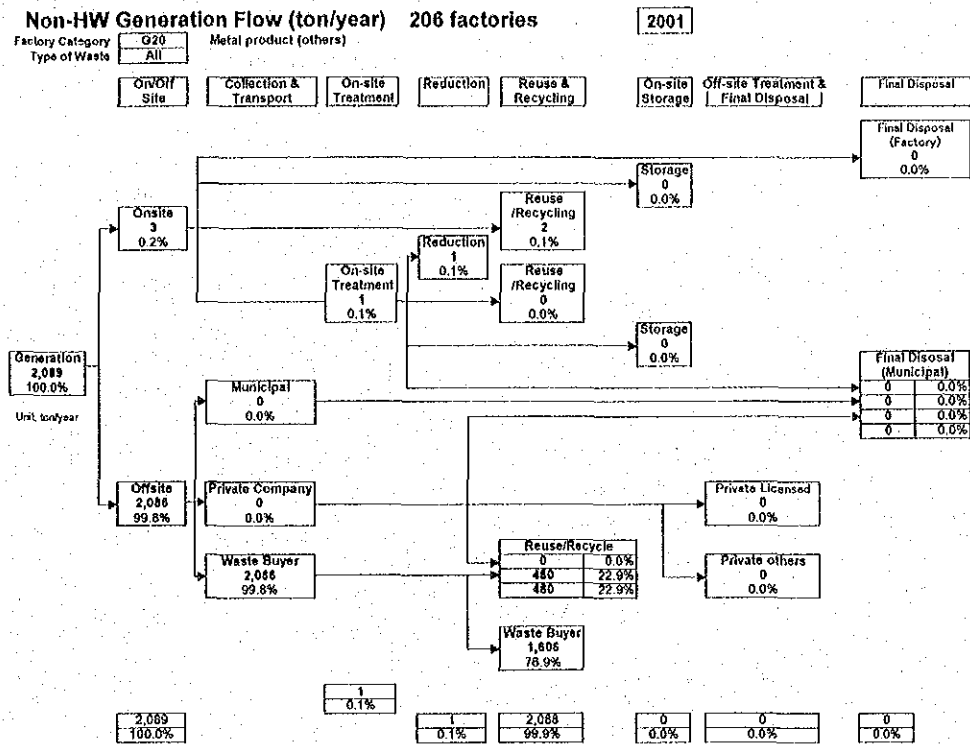


Figure 3-34: Non-HW Flow (All types of Non-HW from G20 among 206 factories surveyed)

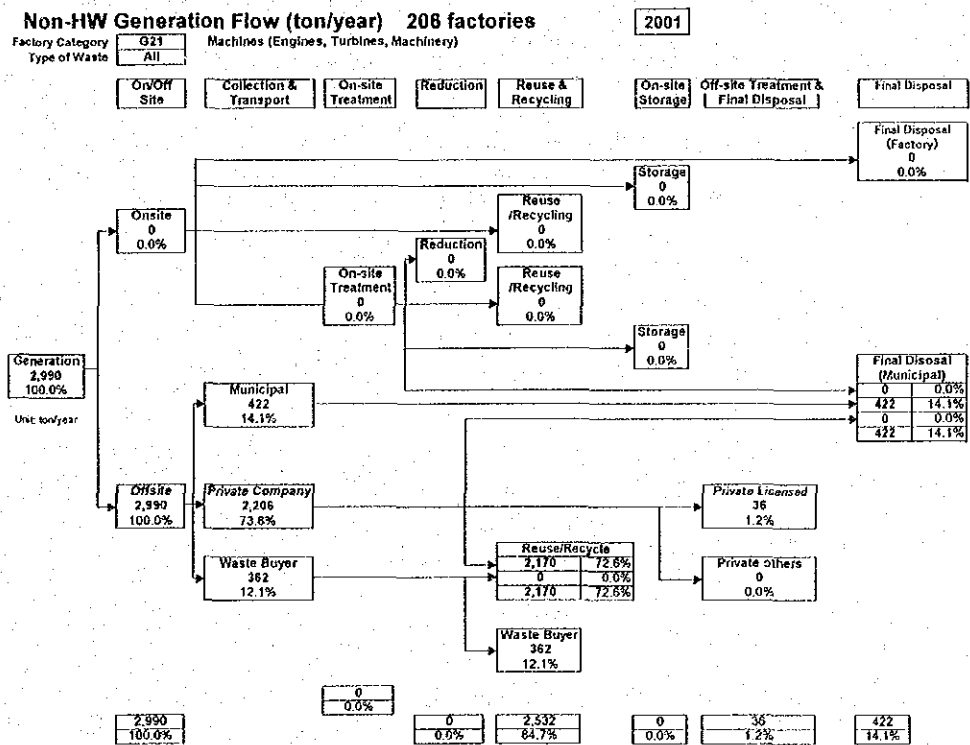


Figure 3-35: Non-HW Flow (All types of Non-HW from G21 among 206 factories surveyed)

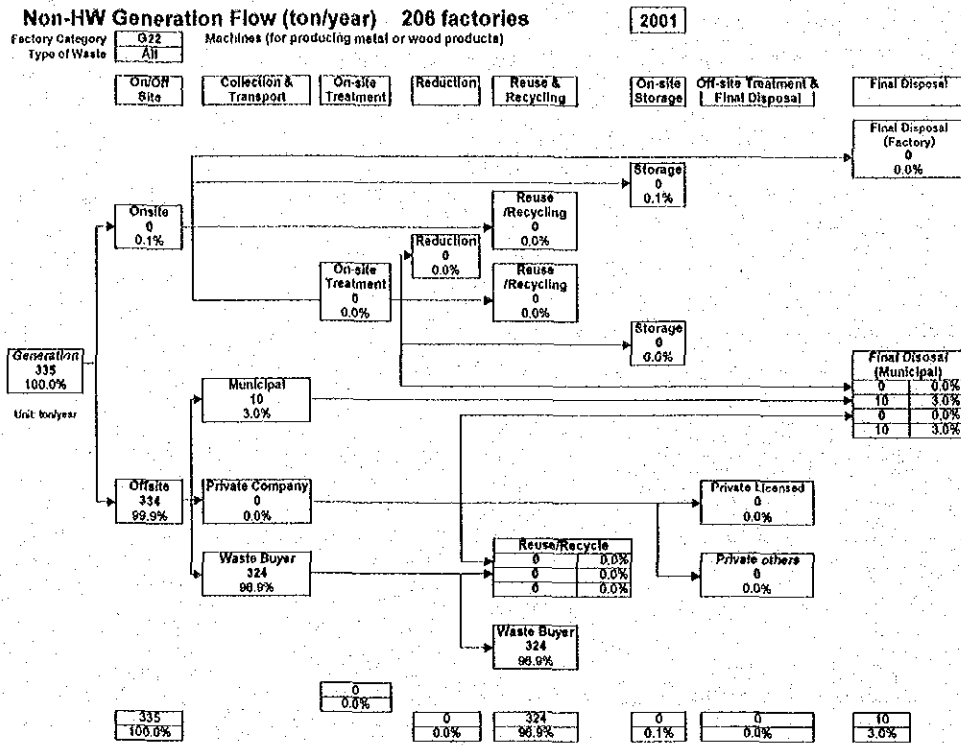


Figure 3-36: Non-HW Flow (All types of Non-HW from G22 among 206 factories surveyed)

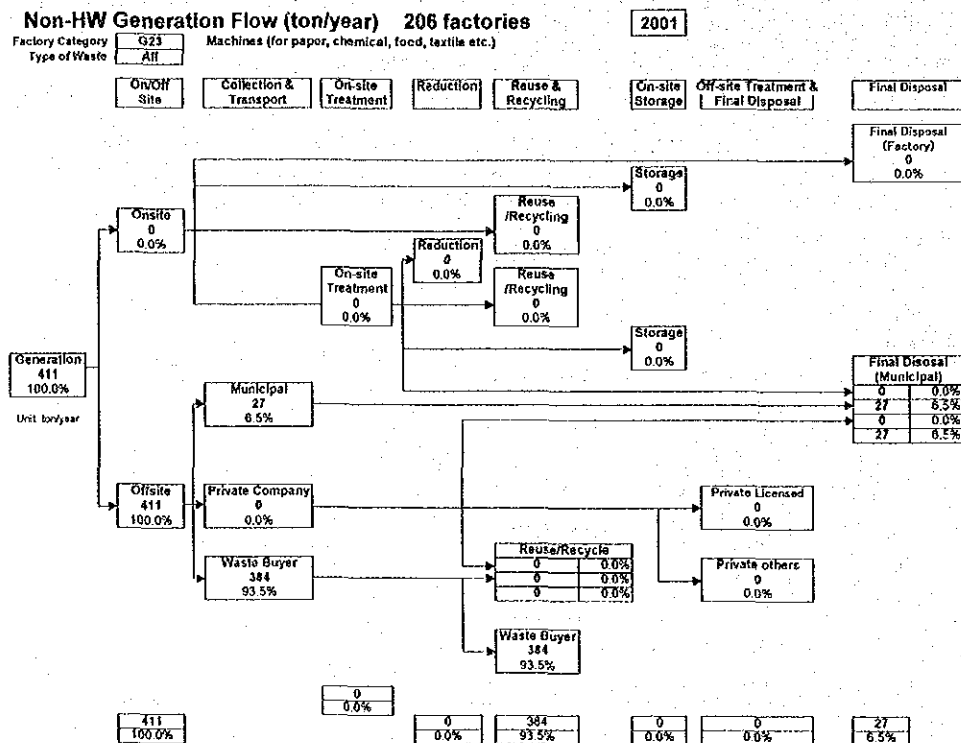


Figure 3-37: Non-HW Flow (All types of Non-HW from G23 among 206 factories surveyed)

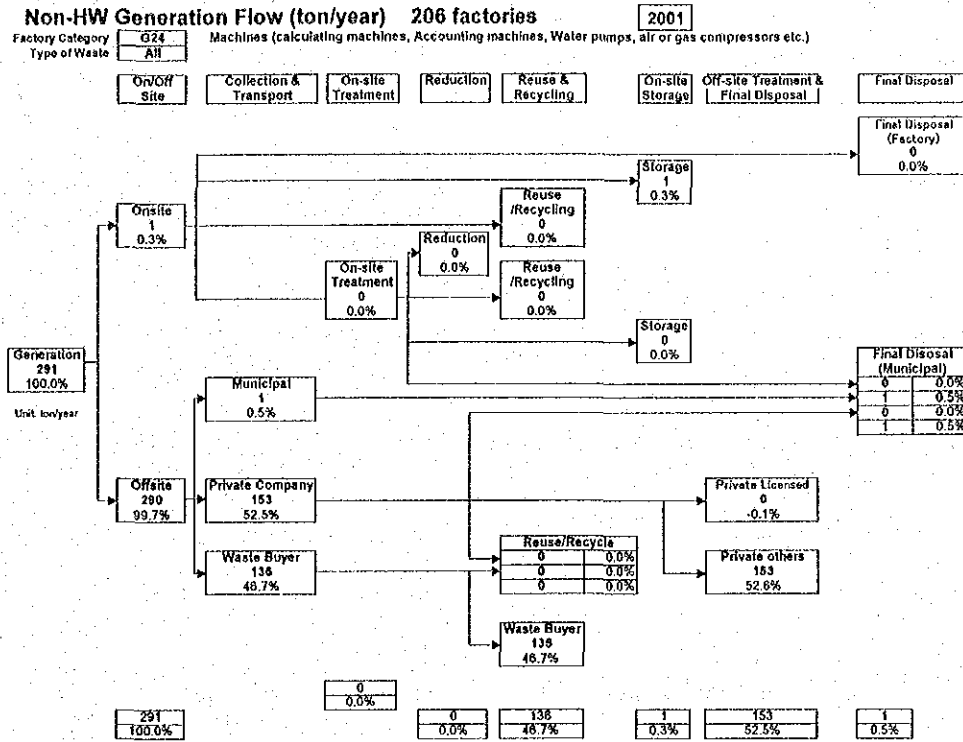


Figure 3-38: Non-HW Flow (All types of Non-HW from G24 among 206 factories surveyed)

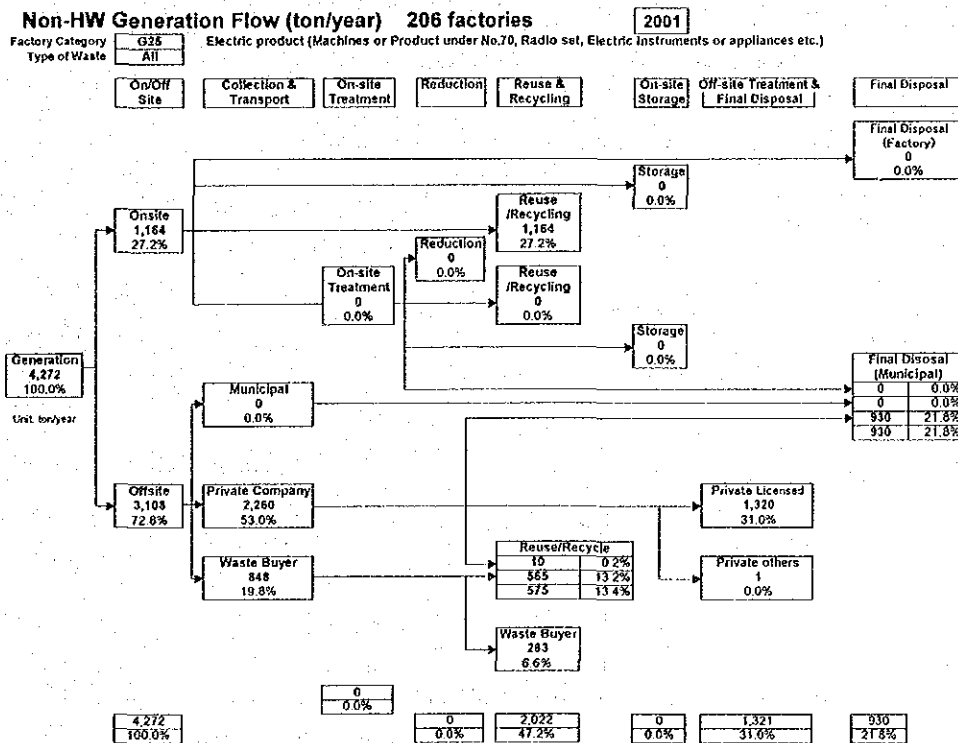


Figure 3-39: Non-HW Flow (All types of Non-HW from G25 among 206 factories surveyed)

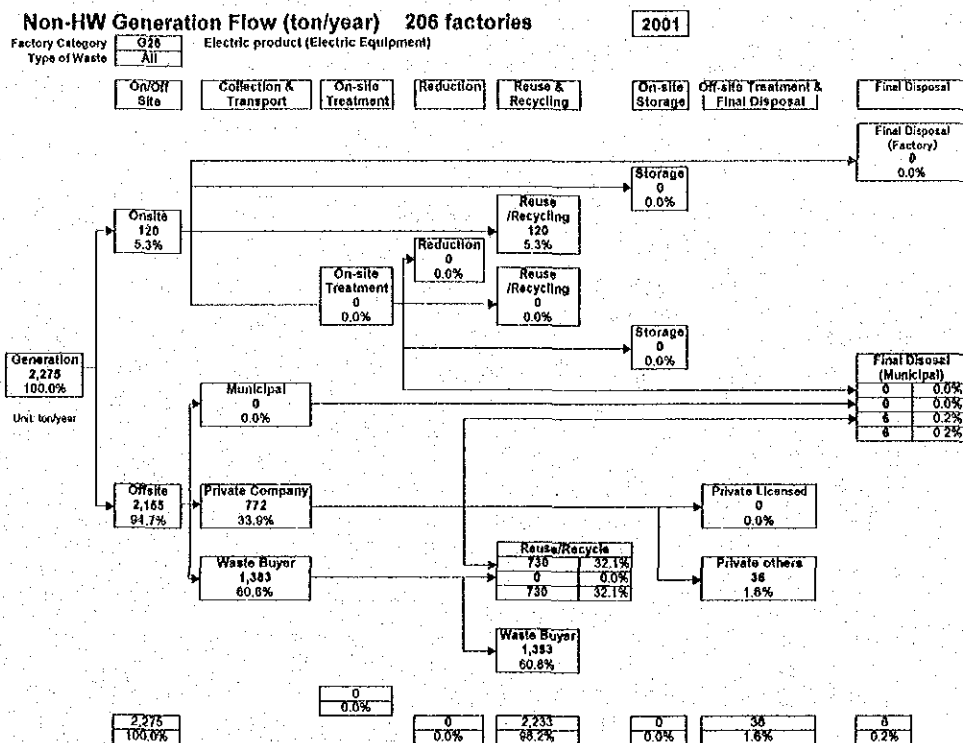


Figure 3-40: Non-HW Flow (All types of Non-HW from G26 among 206 factories surveyed)

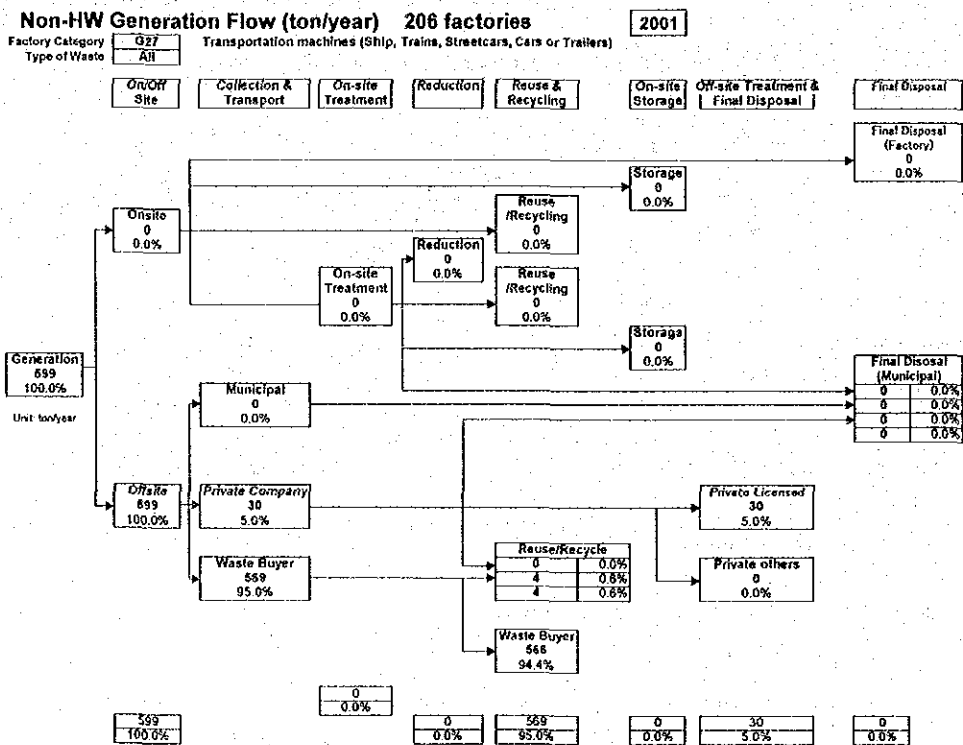


Figure 3-41: Non-HW Flow (All types of Non-HW from G27 among 206 factories surveyed)

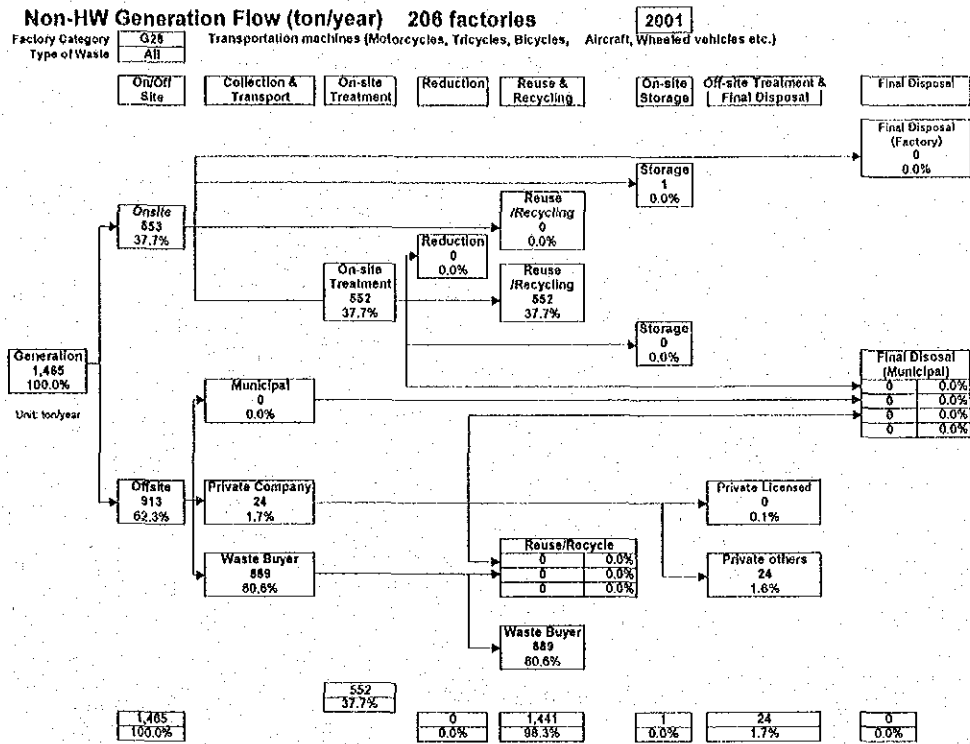


Figure 3-42: Non-HW Flow (All types of Non-HW from G28 among 206 factories surveyed)

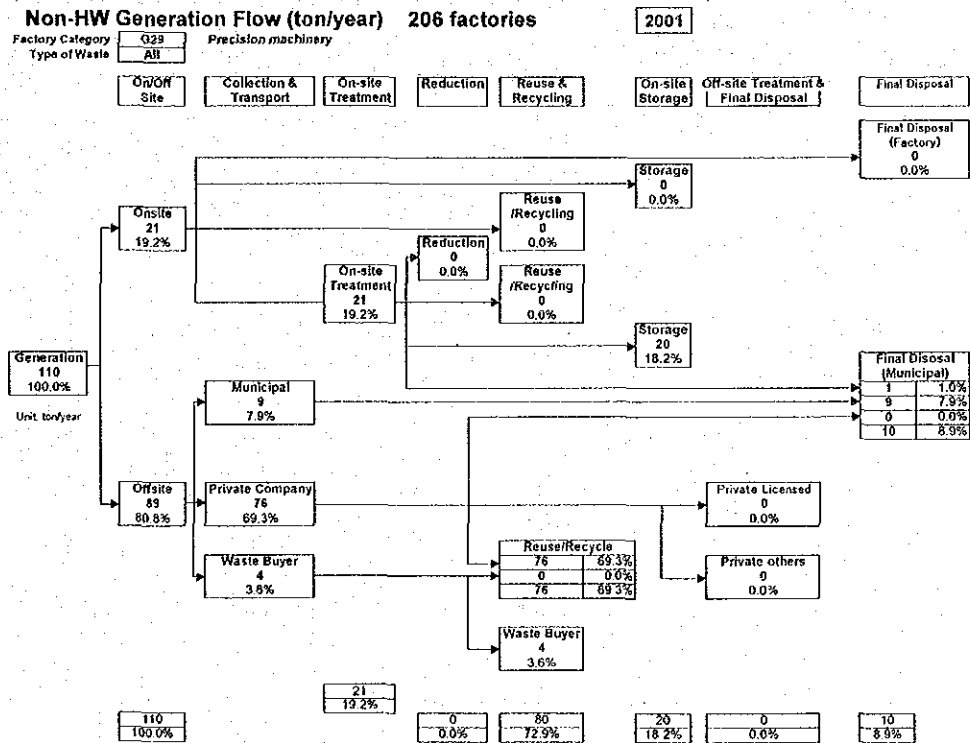


Figure 3-43: Non-HW Flow (All types of Non-HW from G29 among 206 factories surveyed)





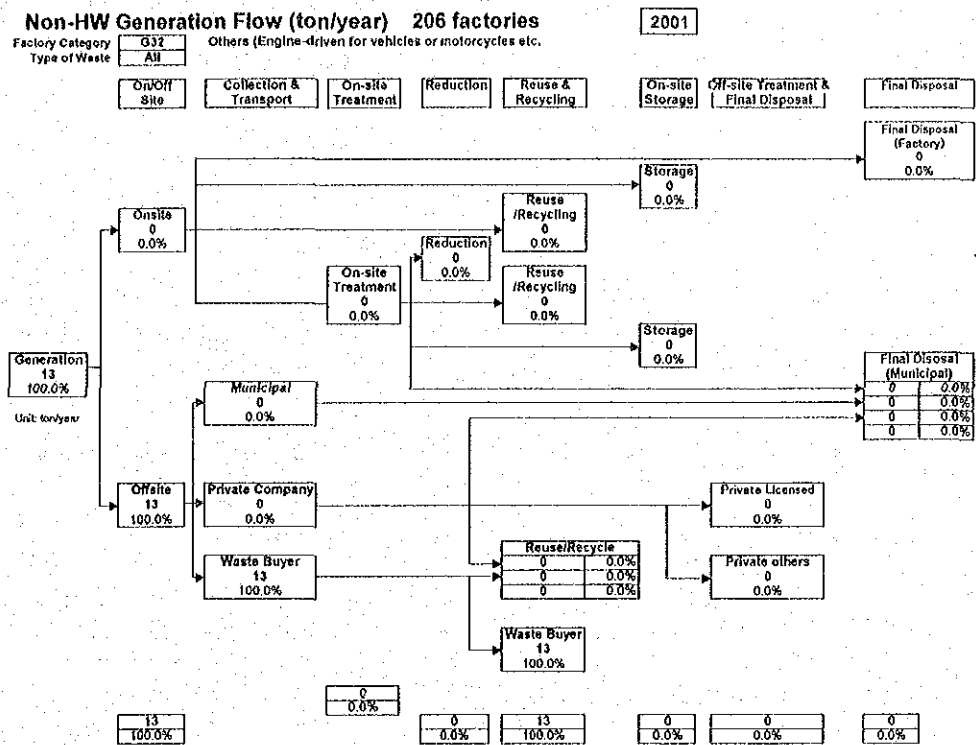


Figure 3-46: Non-HW Flow (All types of Non-HW from G32 among 206 factories surveyed)

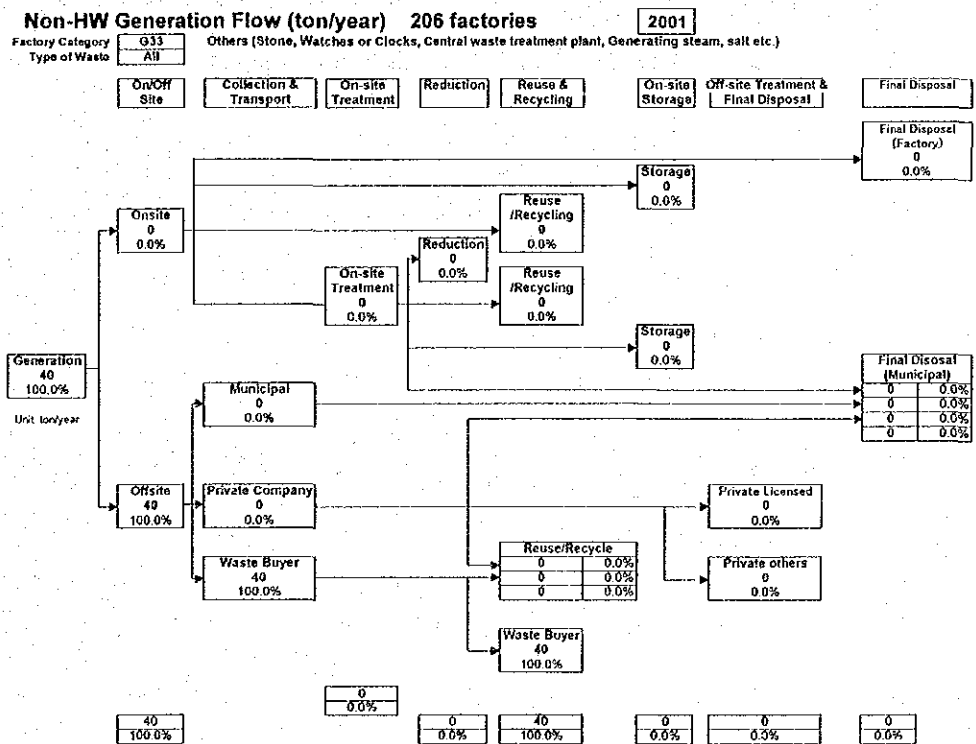


Figure 3-47: Non-HW Flow (All types of Non-HW from G33 among 206 factories surveyed)

### 3.3.2 HW

#### a. All Factory Categories / All Types of Waste

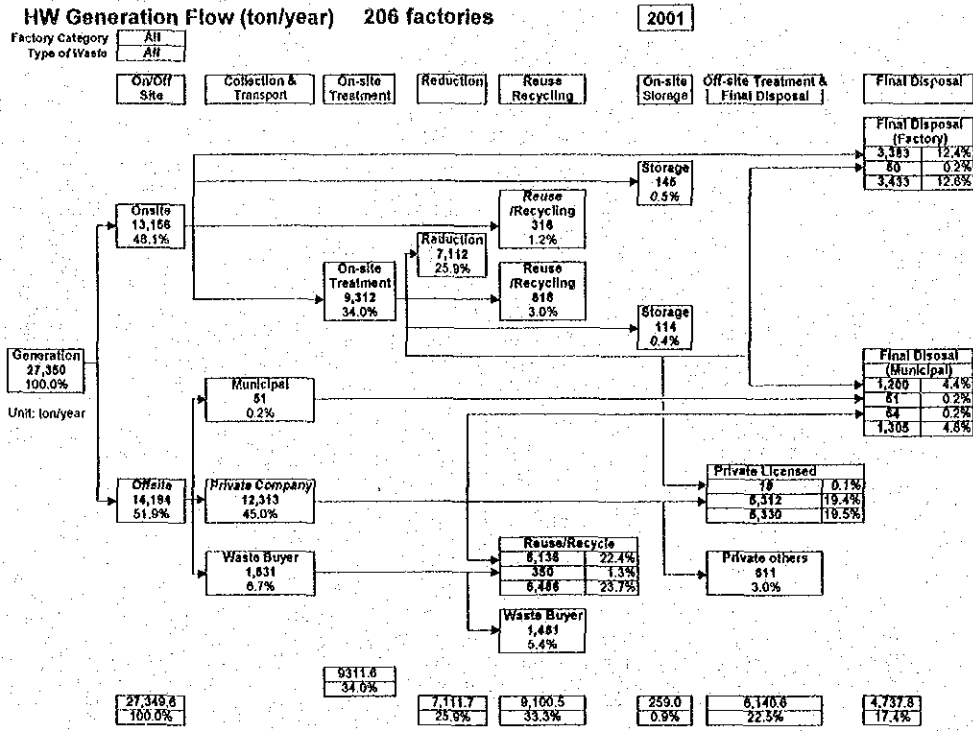


Figure 3-48: HW Flow (All types of HW from 206 factories surveyed)

b. By Type of Waste

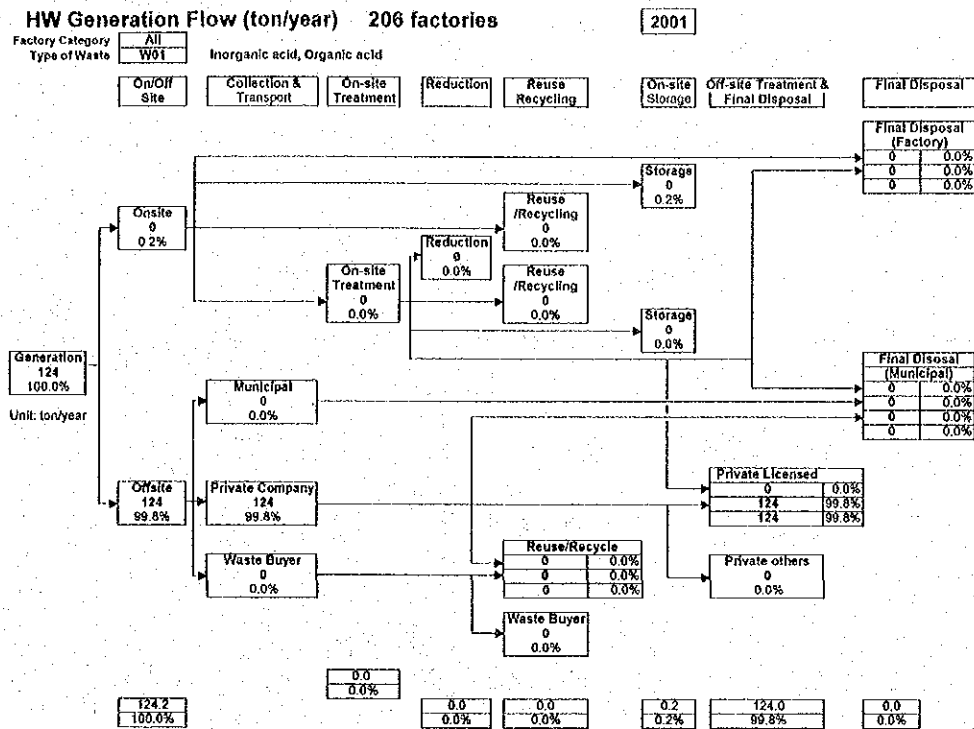


Figure 3-49: HW Flow (W01 from 206 factories surveyed)

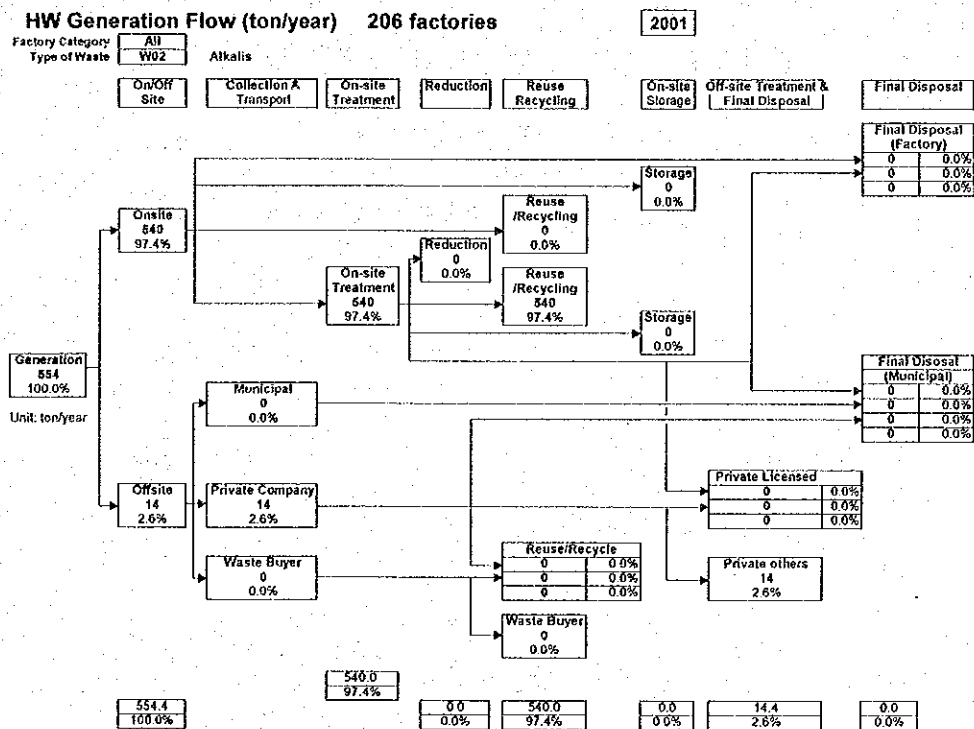


Figure 3-50: HW Flow (W02 from 206 factories surveyed)

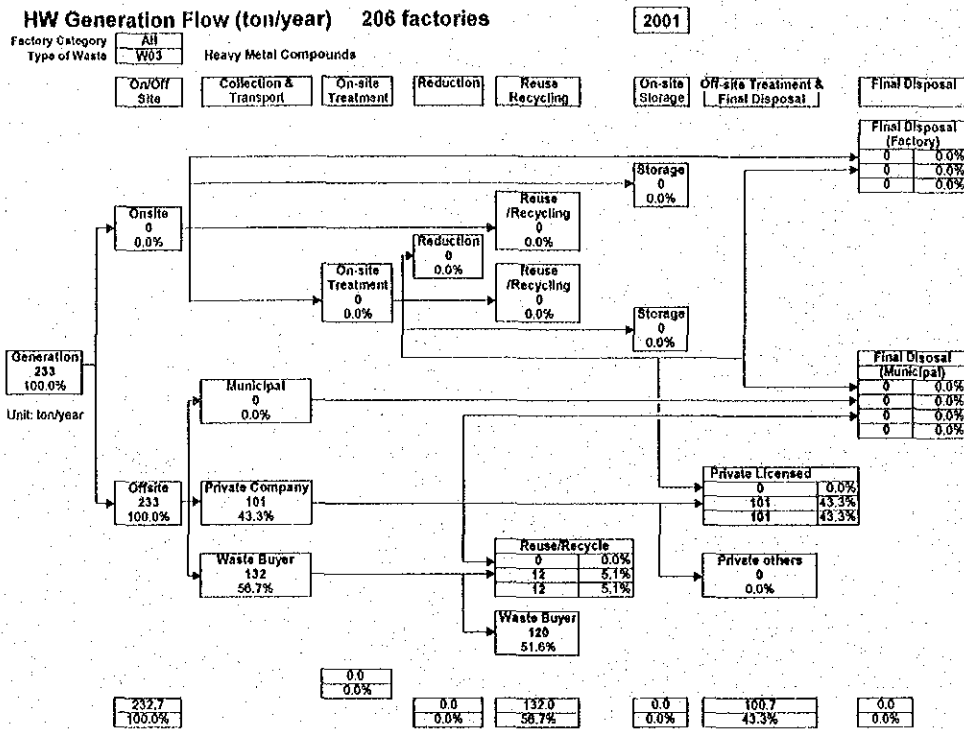


Figure 3-51: HW Flow (W03 from 206 factories surveyed)

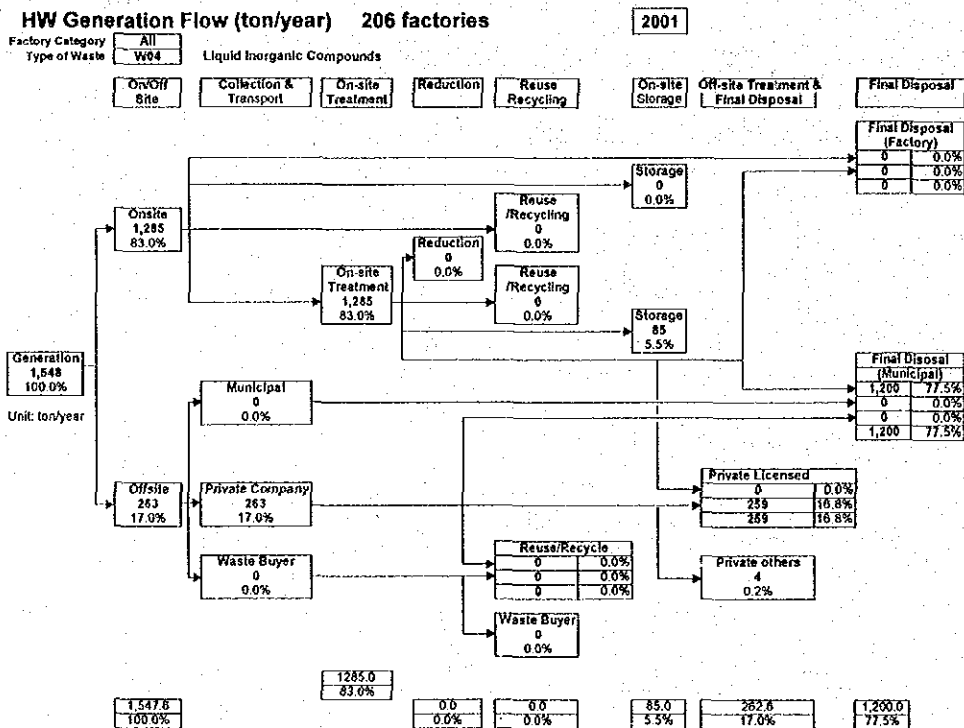


Figure 3-52: HW Flow (W04 from 206 factories surveyed)

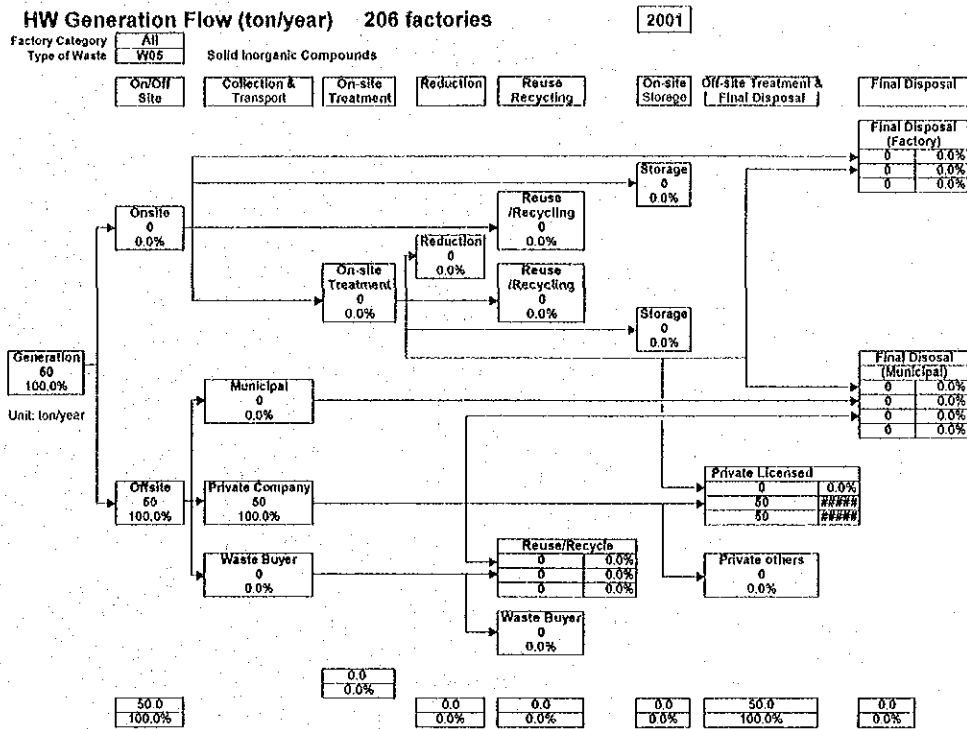


Figure 3-53: HW Flow (W05 from 206 factories surveyed)

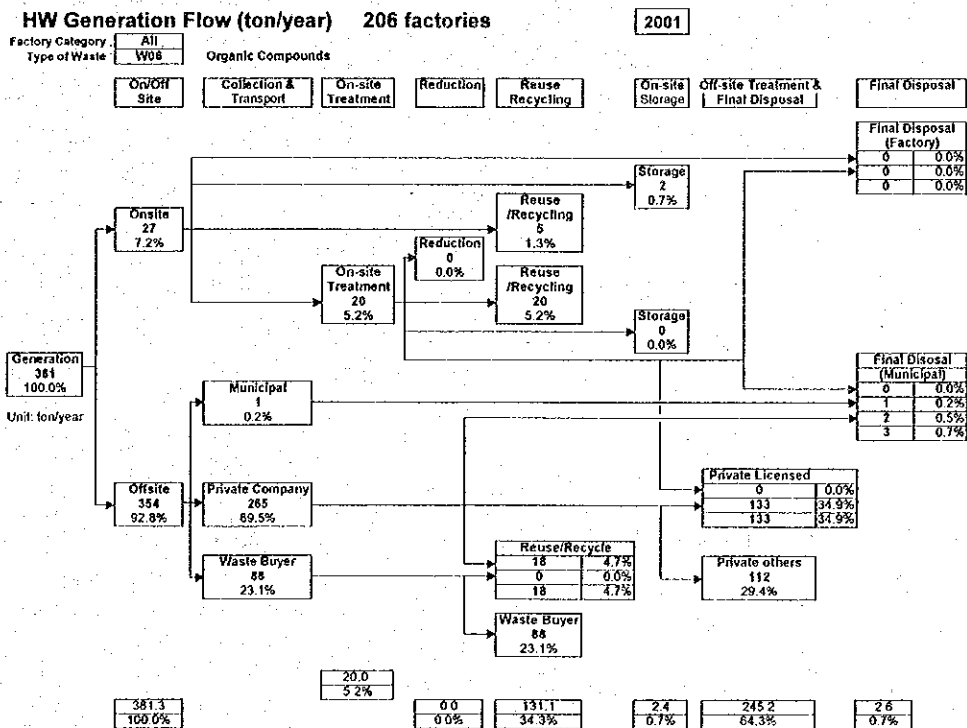


Figure 3-54: HW Flow (W06 from 206 factories surveyed)

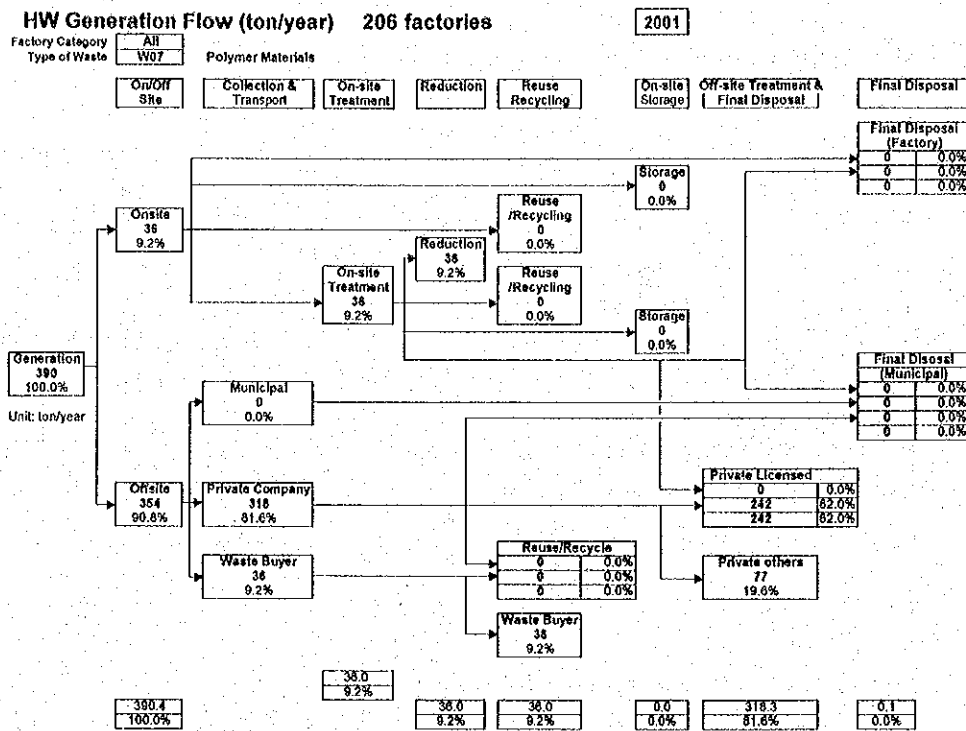


Figure 3-55: HW Flow (W07 from 206 factories surveyed)

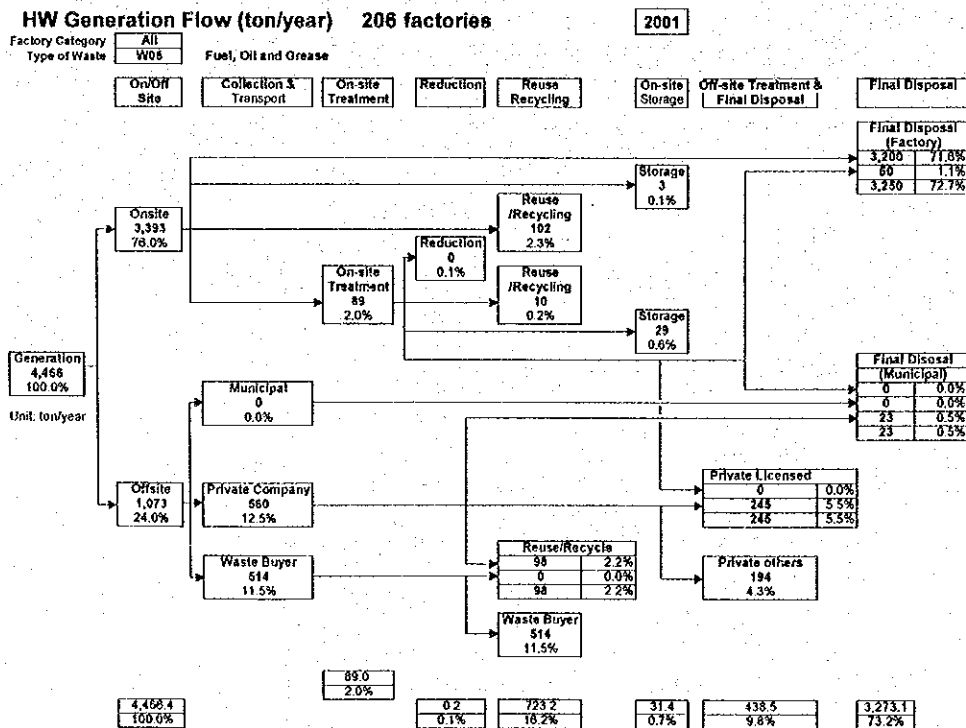


Figure 3-56: HW Flow (W08 from 206 factories surveyed)

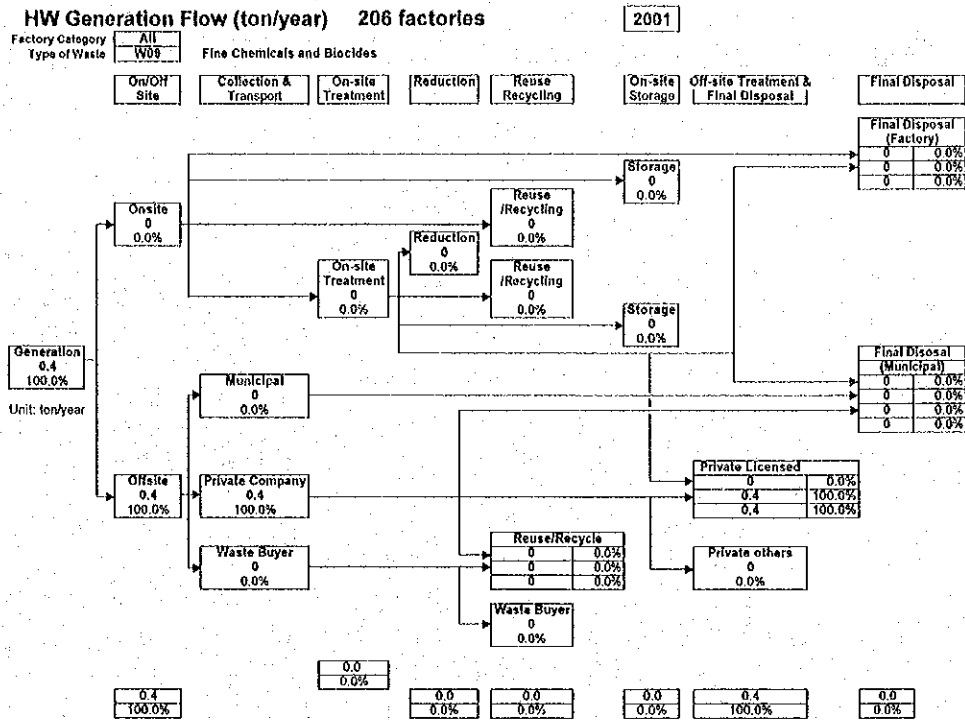


Figure 3-57: HW Flow (W09 from 206 factories surveyed)

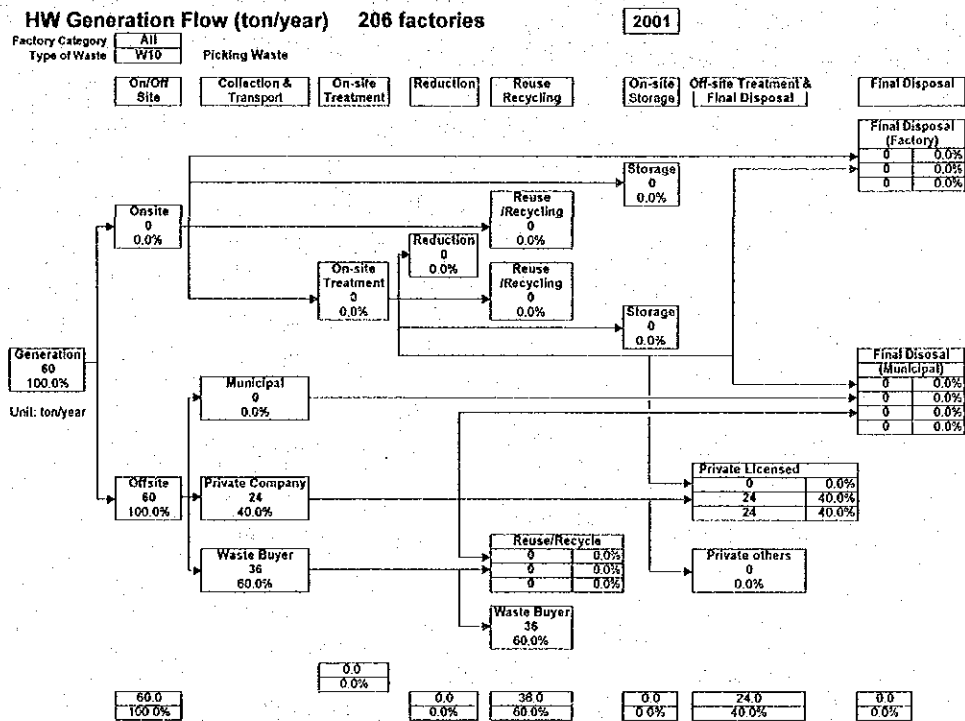


Figure 3-58: HW Flow (W10 from 206 factories surveyed)

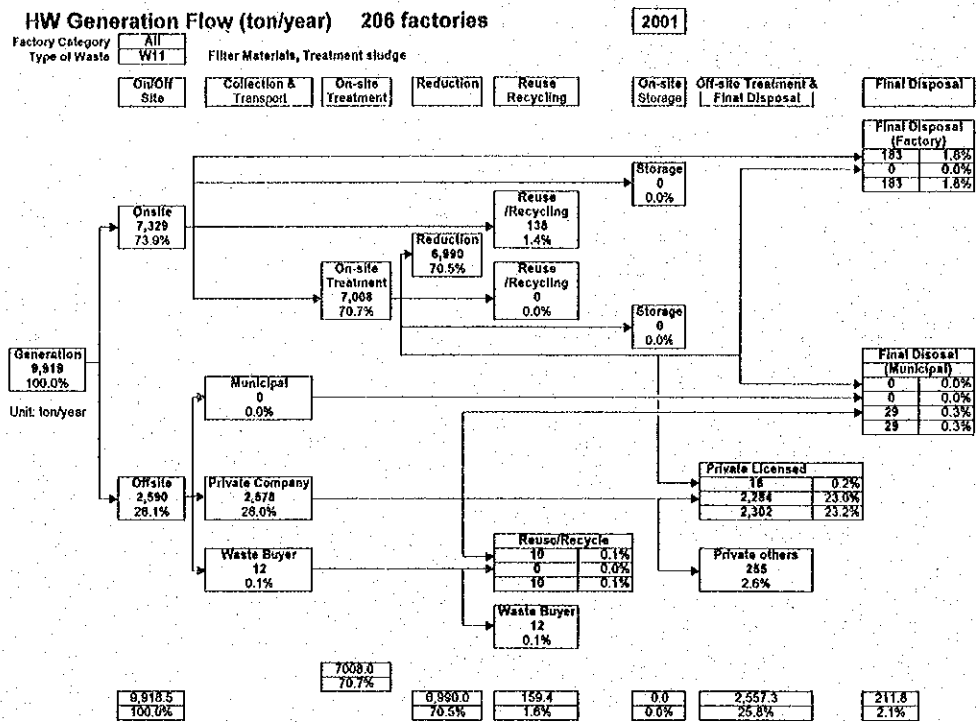


Figure 3-59: HW Flow (W11 from 206 factories surveyed)

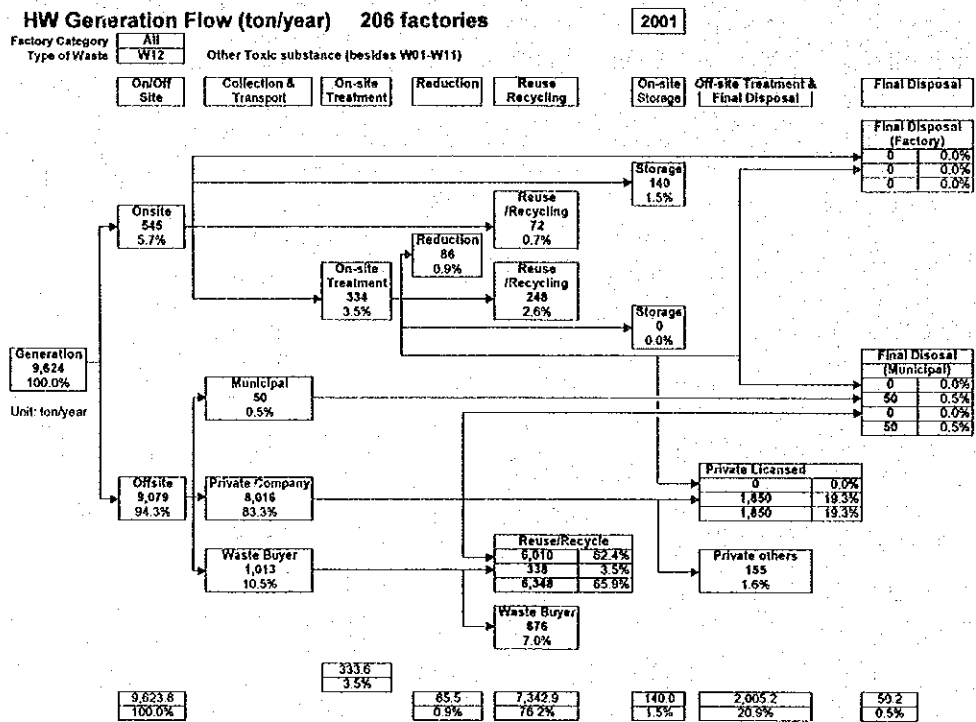


Figure 3-60: HW Flow (W12 from 206 factories surveyed)



c. By Factory Category

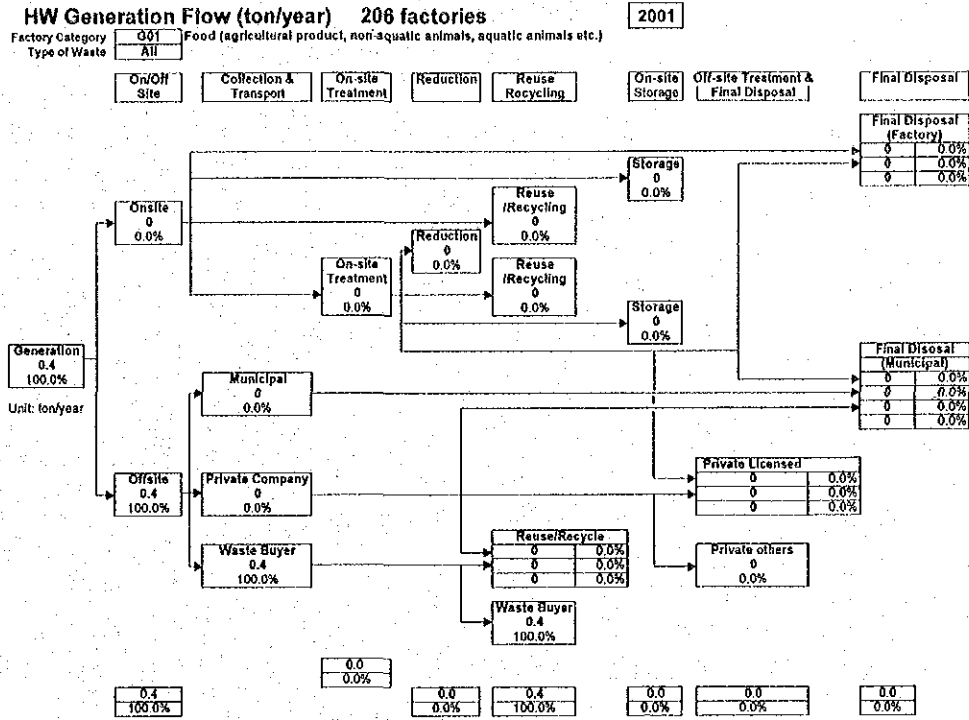


Figure 3-61: HW Flow (All types of HW from G01 among 206 factories surveyed)

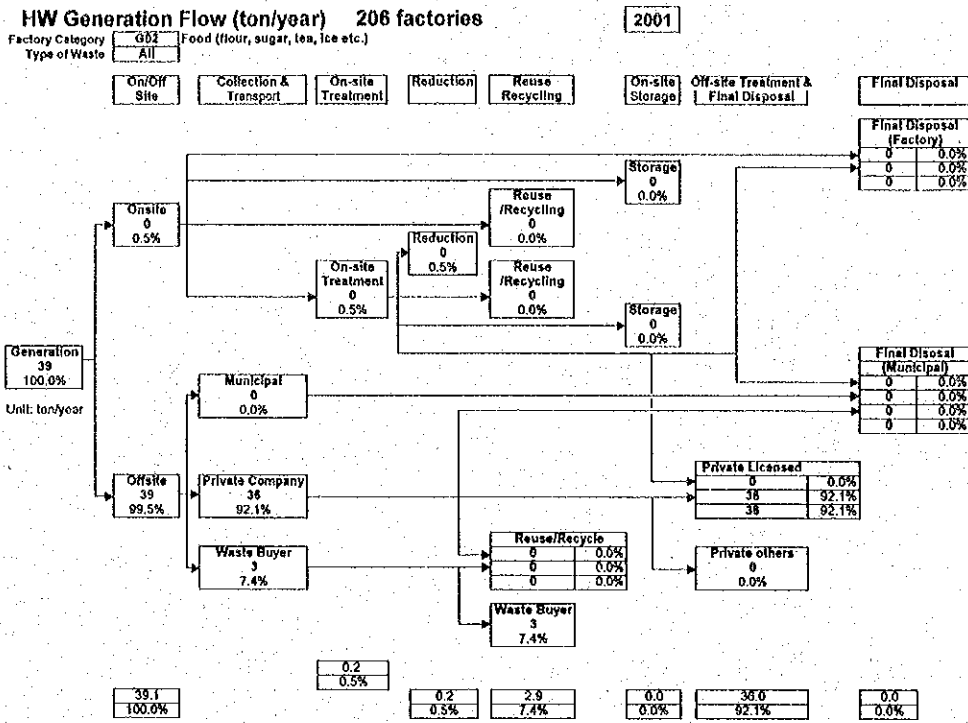


Figure 3-62: HW Flow (All types of HW from G02 among 206 factories surveyed)

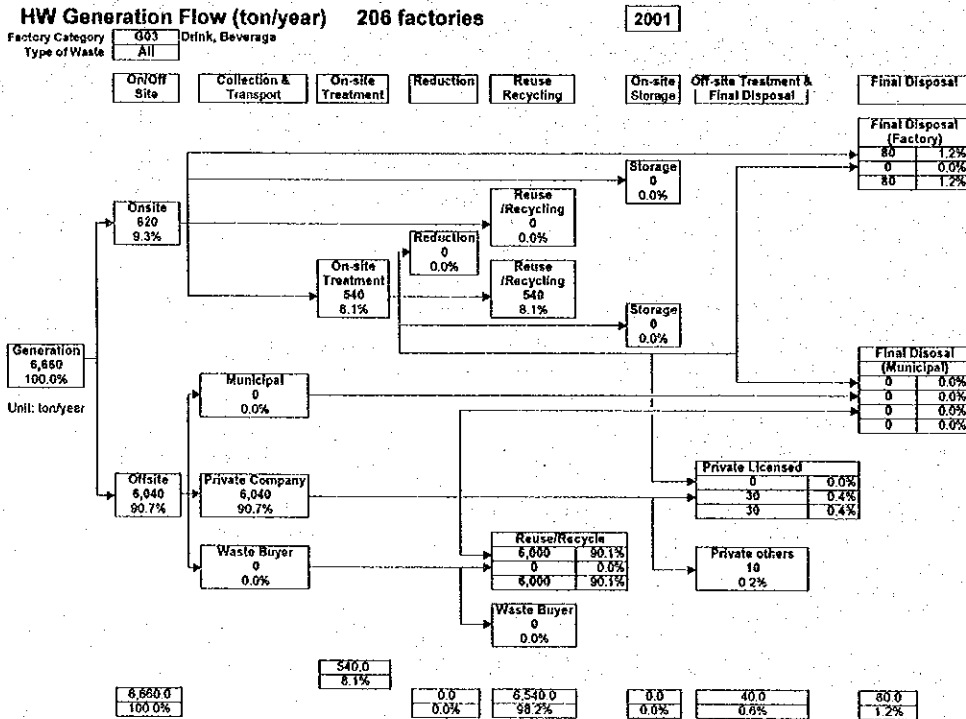


Figure 3-63: HW Flow (All types of HW from G03 among 206 factories surveyed)

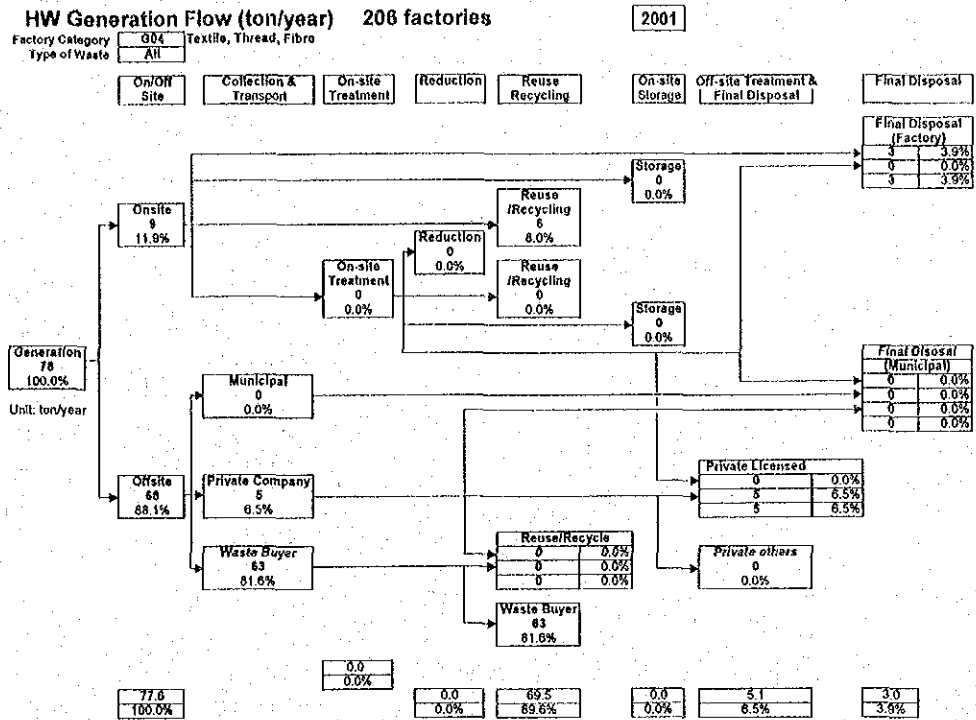


Figure 3-64: HW Flow (All types of HW from G04 among 206 factories surveyed)

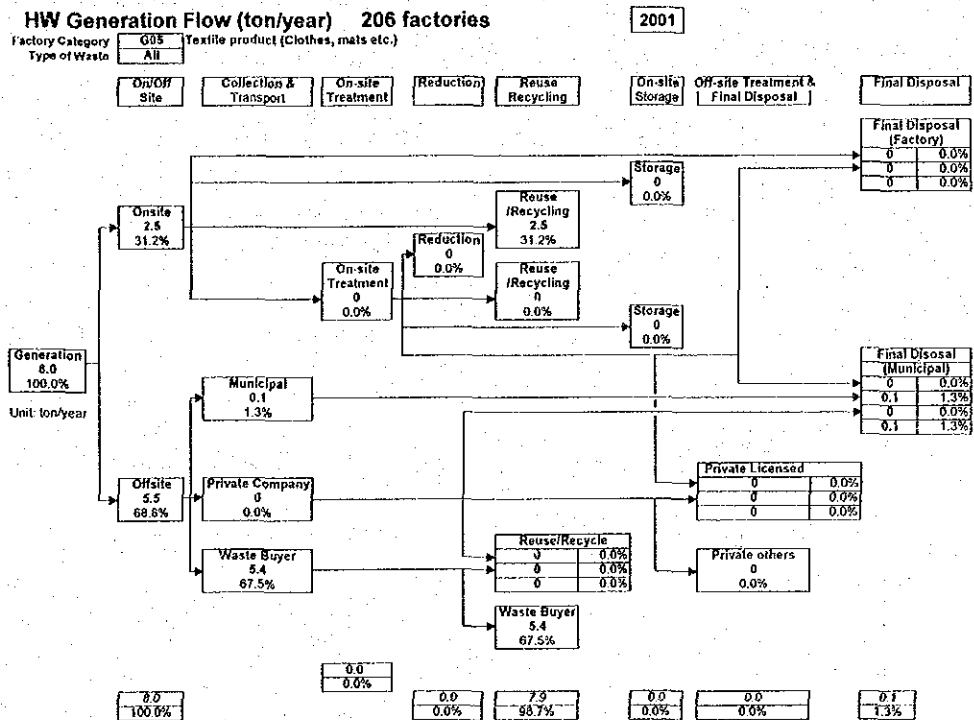


Figure 3-65: HW Flow (All types of HW from G05 among 206 factories surveyed)

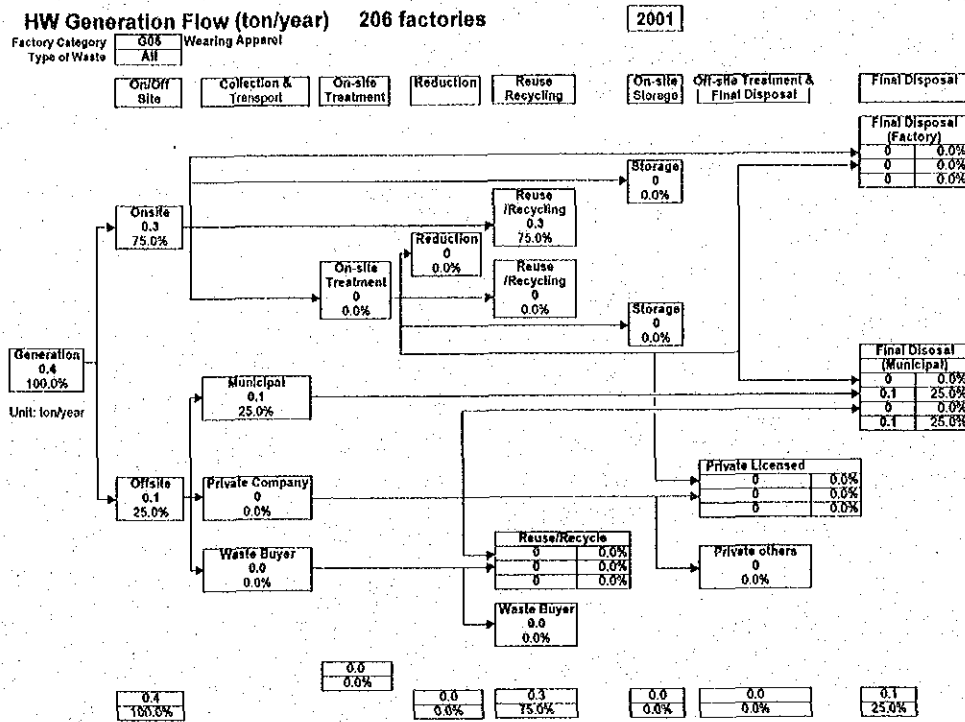


Figure 3-66: HW Flow (All types of HW from G06 among 206 factories surveyed)

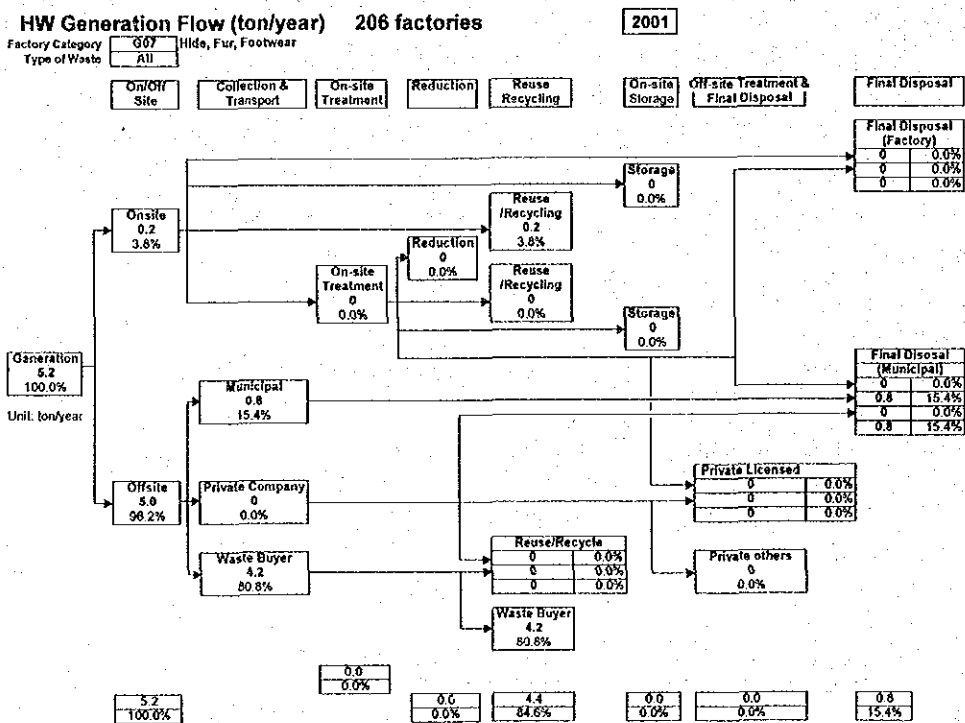


Figure 3-67: HW Flow (All types of HW from G07 among 206 factories surveyed)

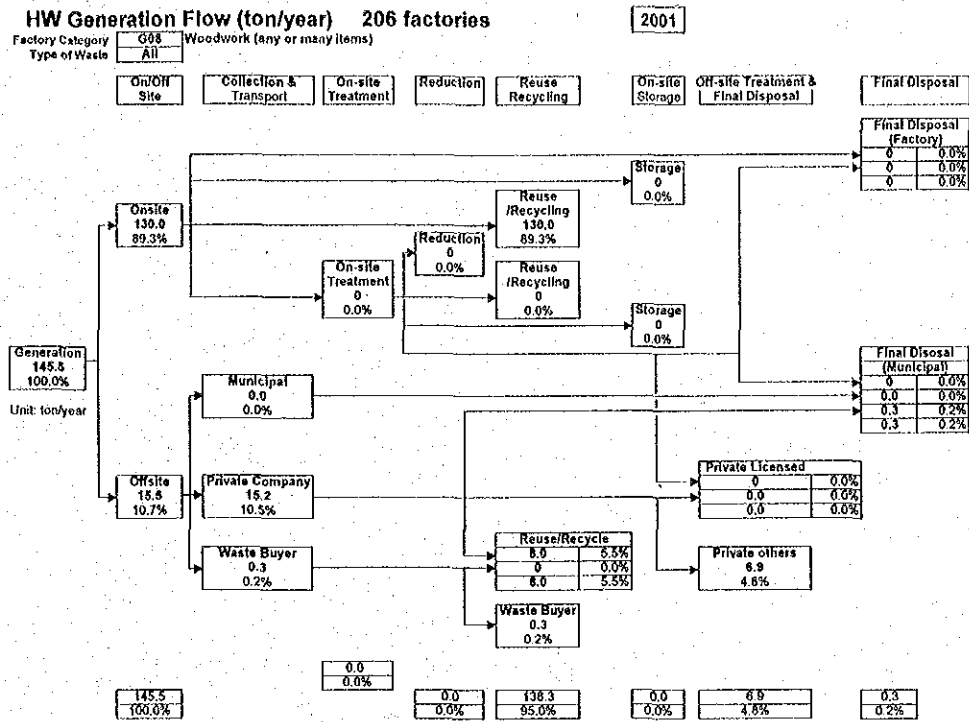


Figure 3-68: HW Flow (All types of HW from G08 among 206 factories surveyed)

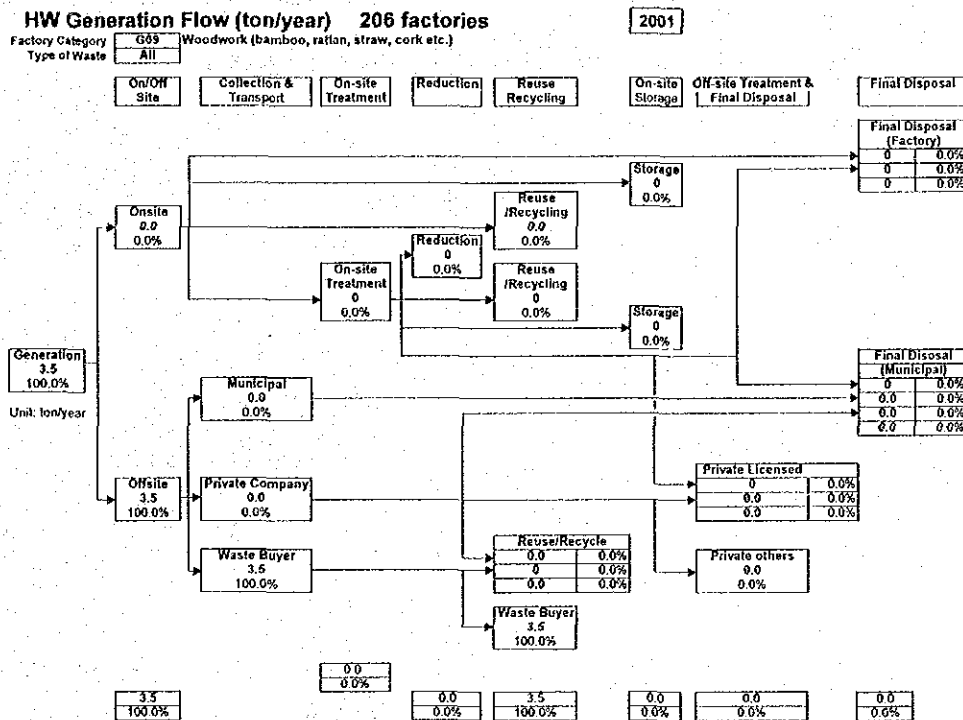


Figure 3-69: HW Flow (All types of HW from G09 among 206 factories surveyed)

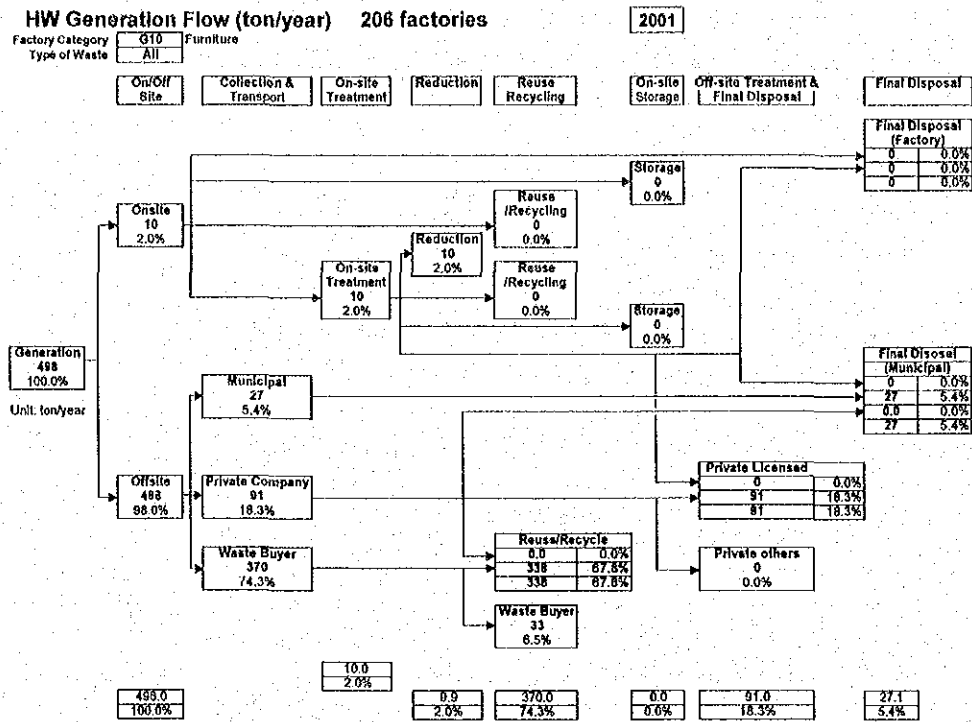


Figure 3-70: HW Flow (All types of HW from G10 among 206 factories surveyed)

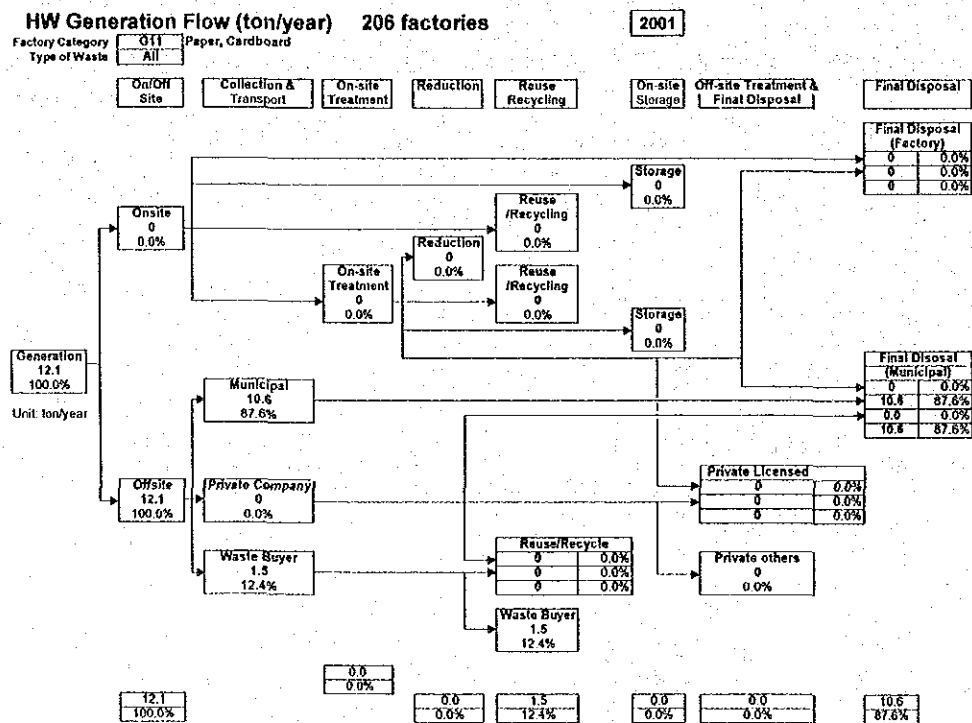


Figure 3-71: HW Flow (All types of HW from G11 among 206 factories surveyed)

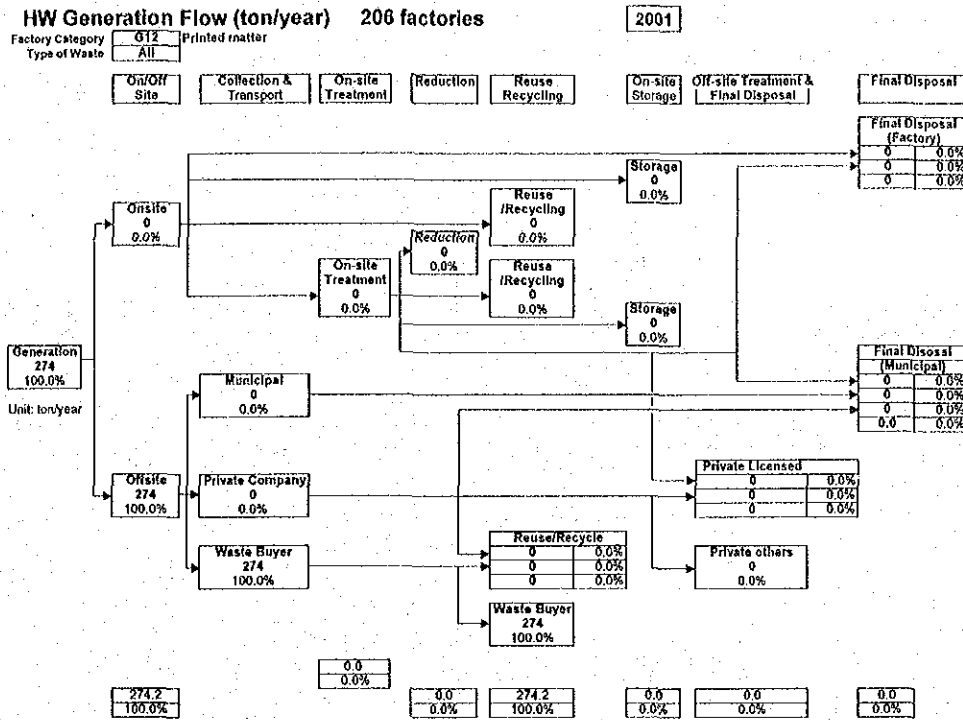


Figure 3-72: HW Flow (All types of HW from G12 among 206 factories surveyed)

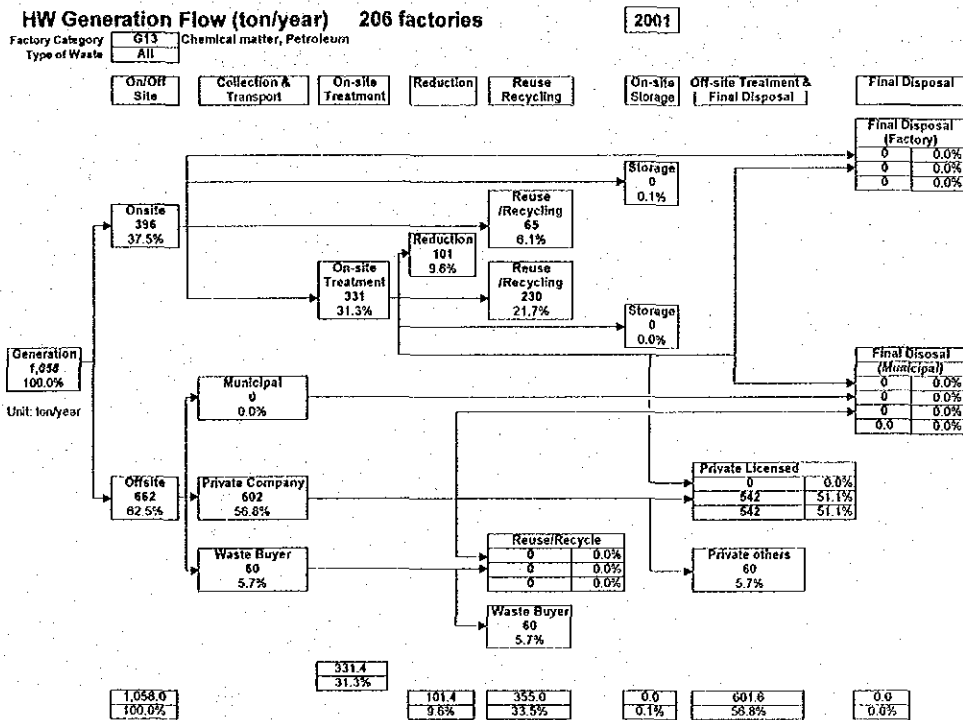


Figure 3-73: HW Flow (All types of HW from G13 among 206 factories surveyed)

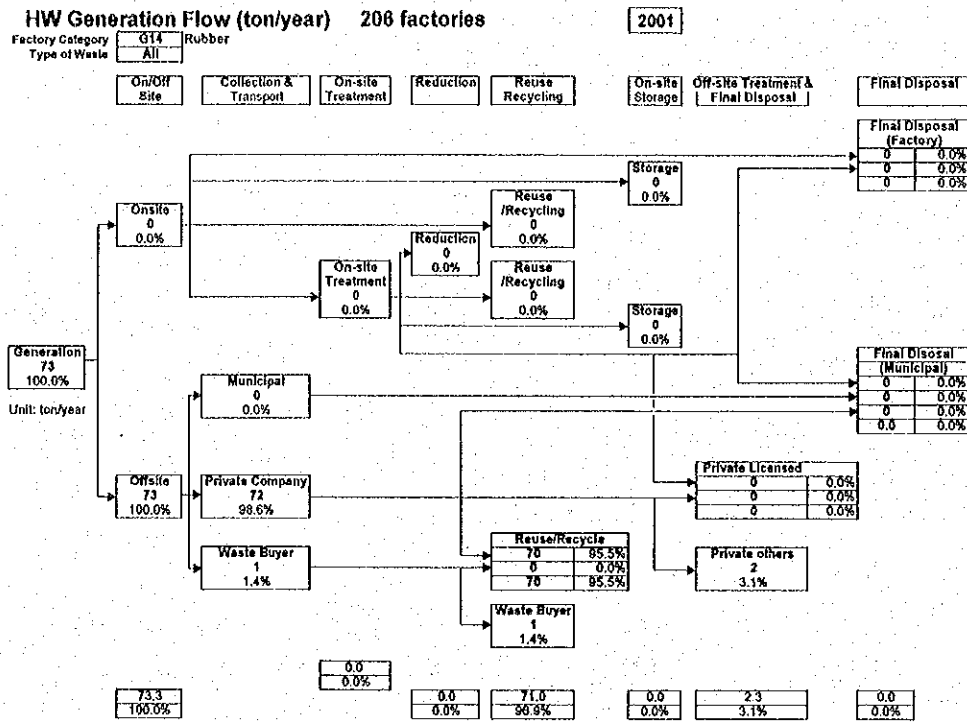


Figure 3-74: HW Flow (All types of HW from G14 among 206 factories surveyed)

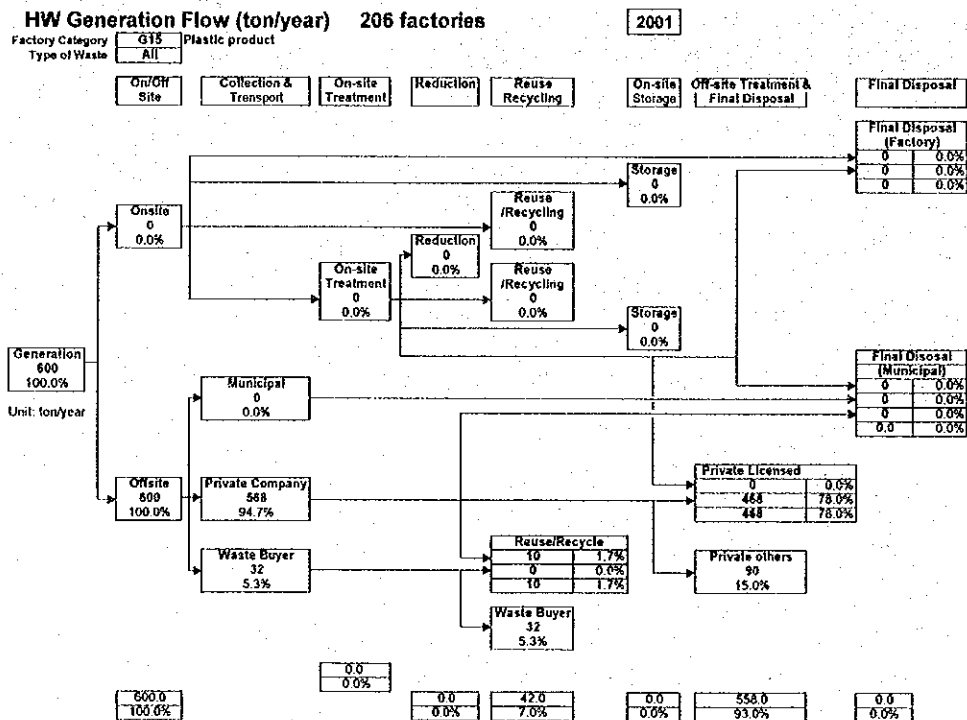


Figure 3-75: HW Flow (All types of HW from G15 among 206 factories surveyed)



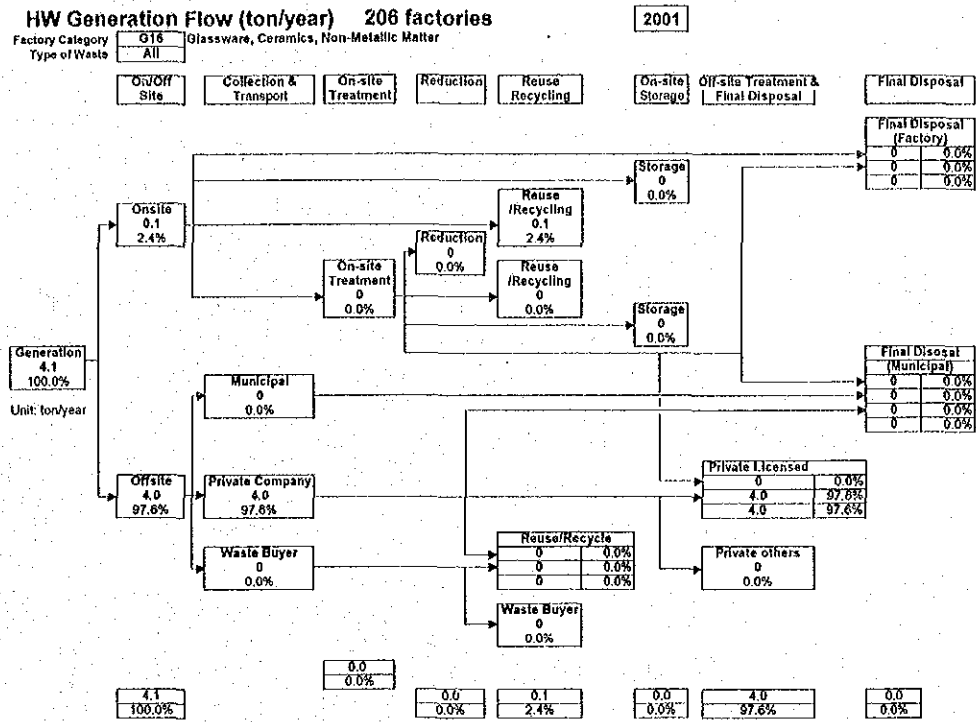


Figure 3-76: HW Flow (All types of HW from G16 among 206 factories surveyed)

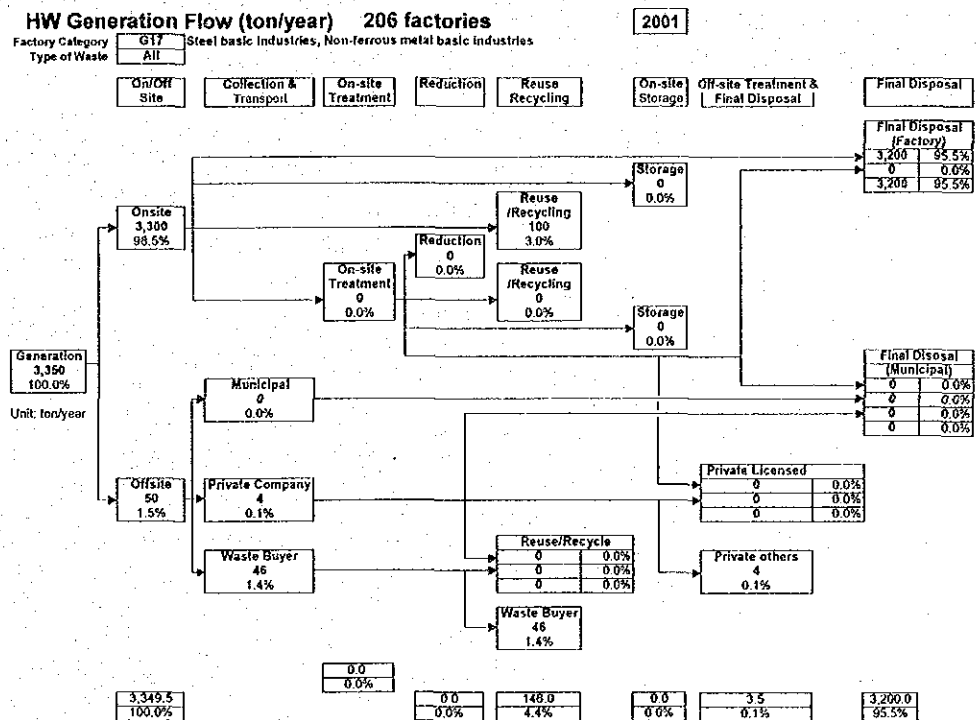


Figure 3-77: HW Flow (All types of HW from G17 among 206 factories surveyed)

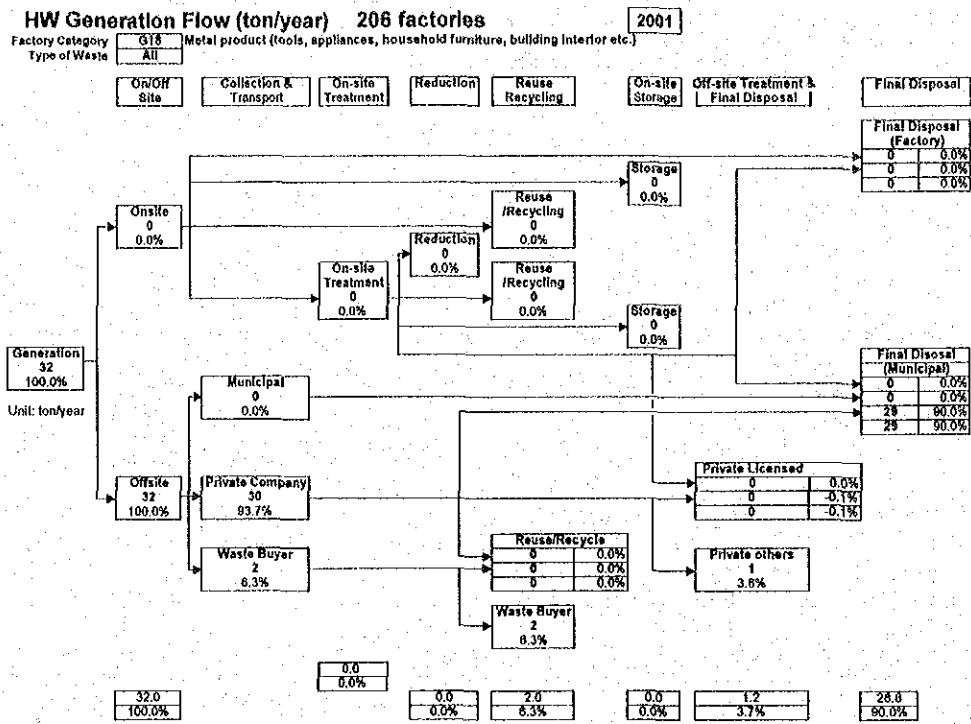


Figure 3-78: HW Flow (All types of HW from G18 among 206 factories surveyed)

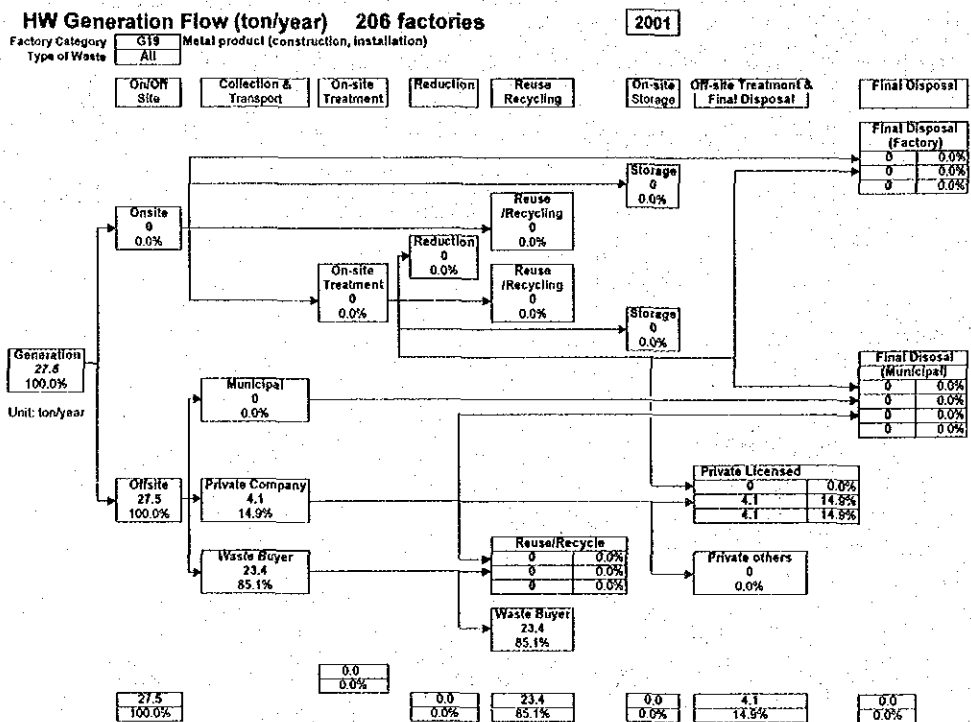


Figure 3-79: HW Flow (All types of HW from G19 among 206 factories surveyed)

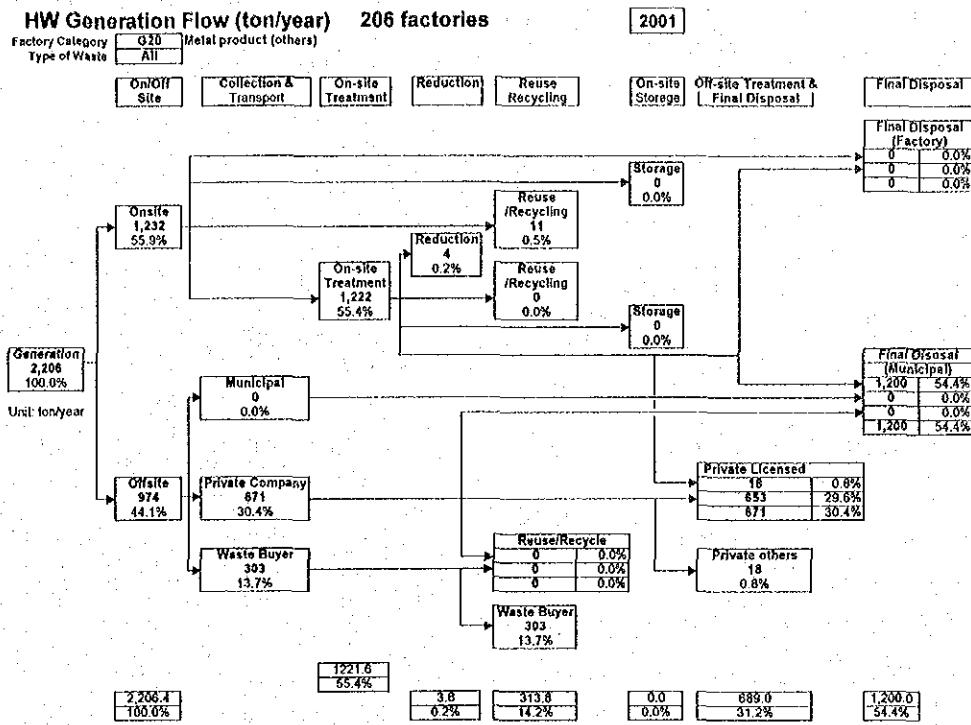


Figure 3-80: HW Flow (All types of HW from G20 among 206 factories surveyed)

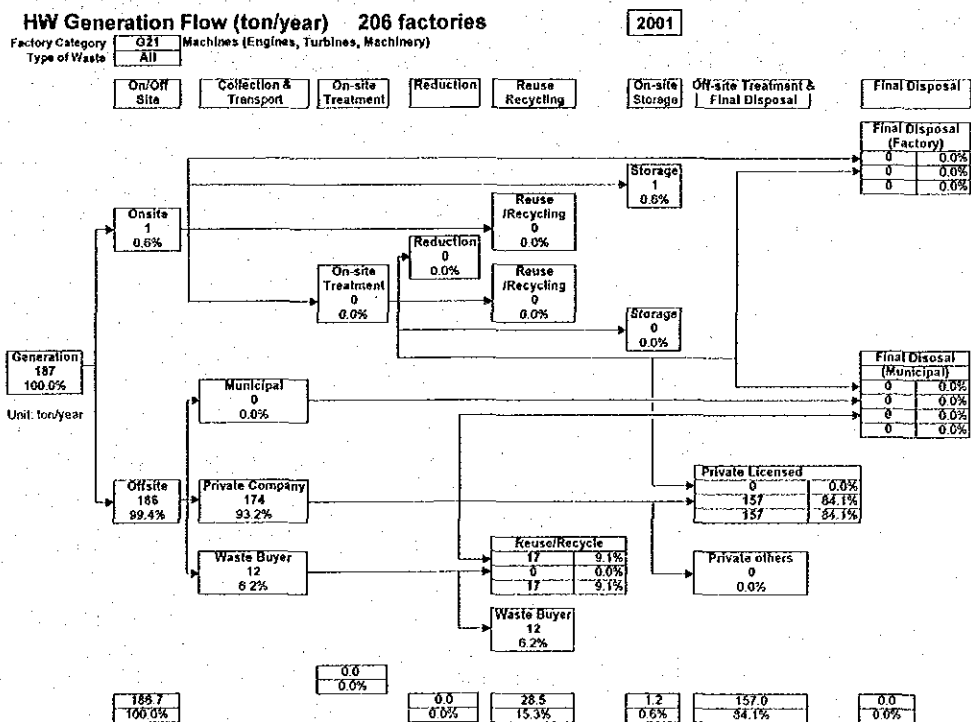


Figure 3-81: HW Flow (All types of HW from G21 among 206 factories surveyed)

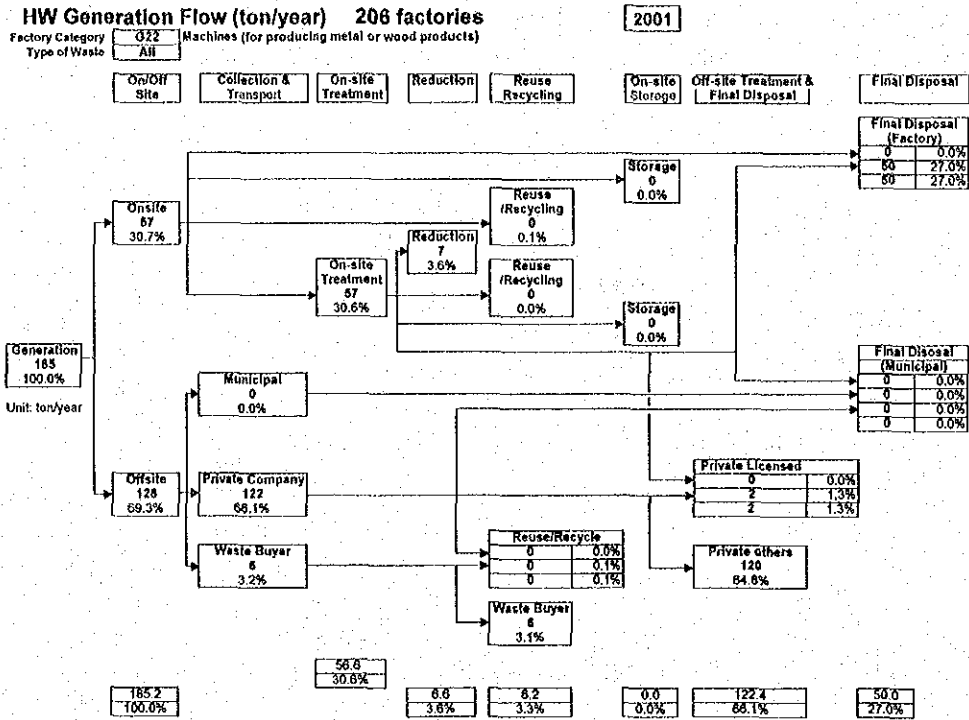


Figure 3-82: HW Flow (All types of HW from G22 among 206 factories surveyed)

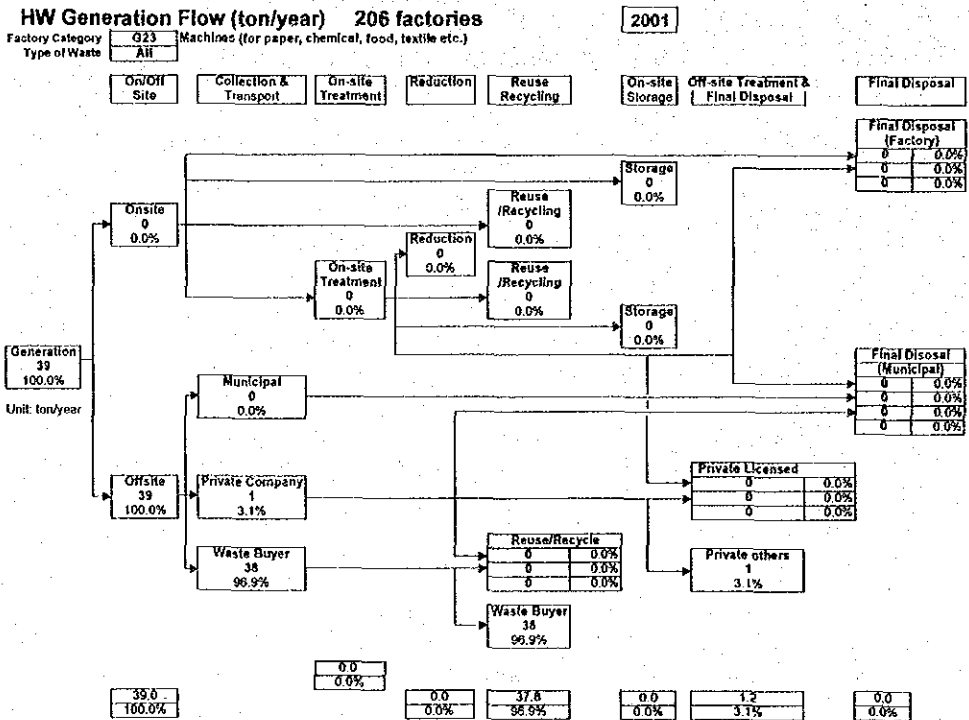


Figure 3-83: HW Flow (All types of HW from G23 among 206 factories surveyed)

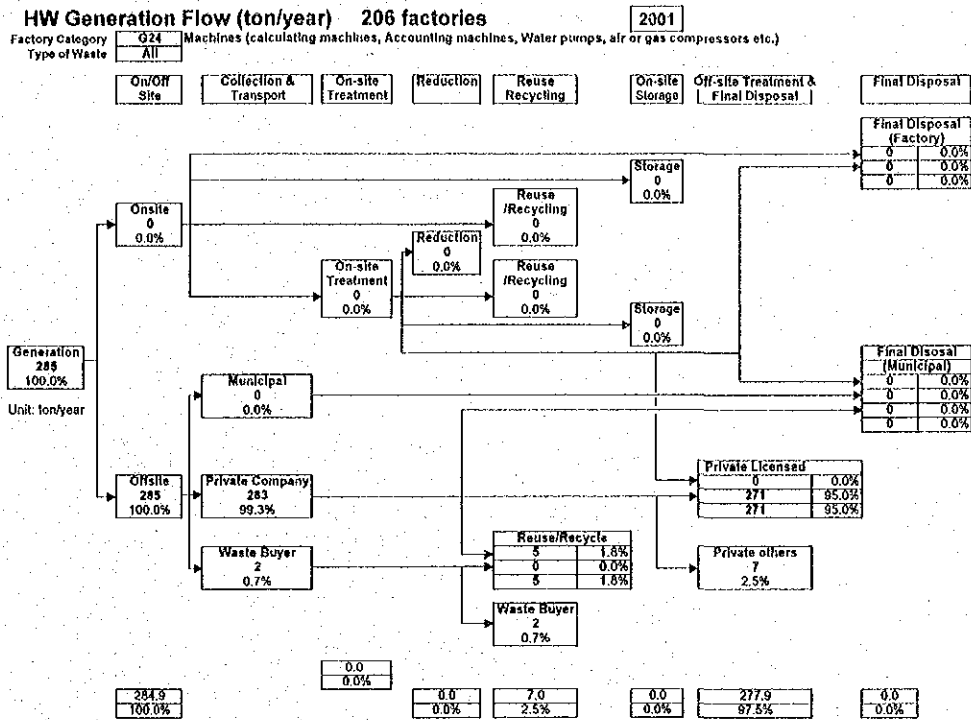


Figure 3-84: HW Flow (All types of HW from G24 among 206 factories surveyed)

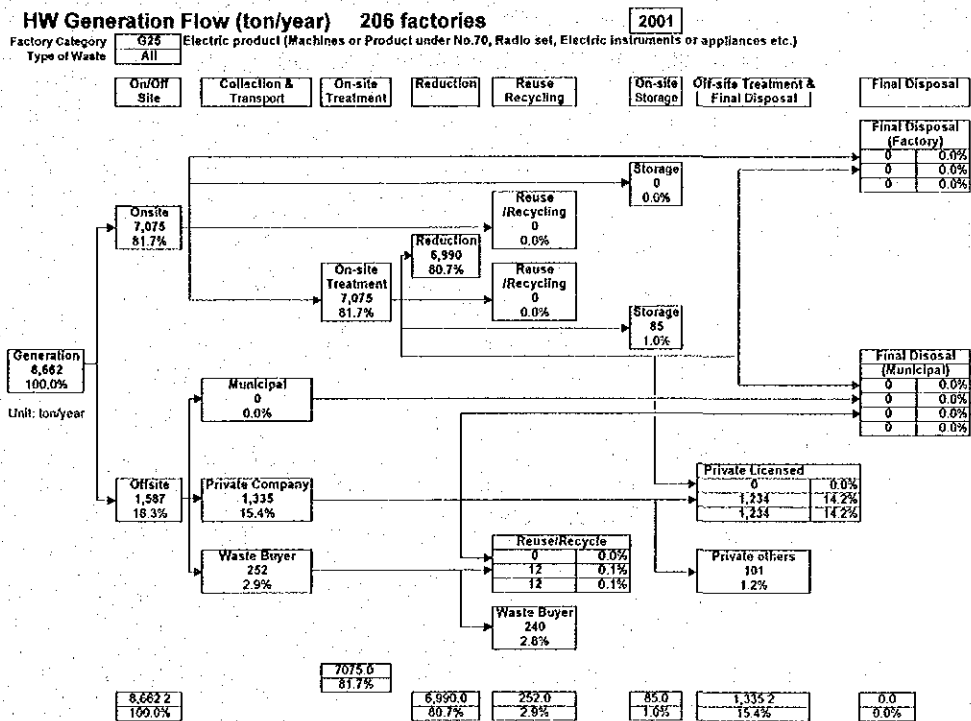


Figure 3-85: HW Flow (All types of HW from G25 among 206 factories surveyed)

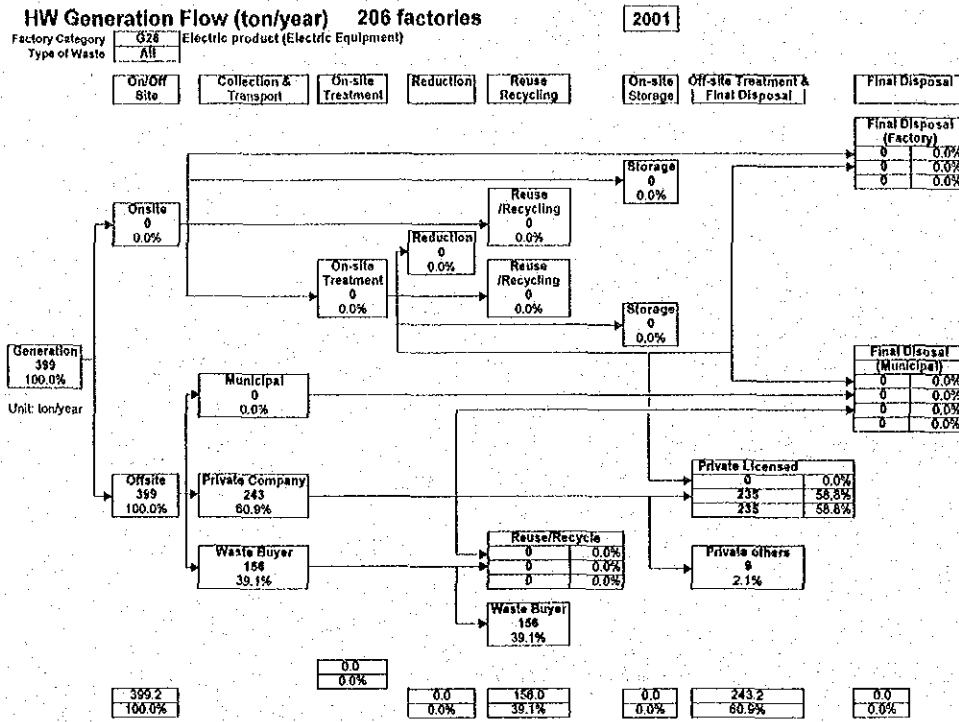


Figure 3-86: HW Flow (All types of HW from G26 among 206 factories surveyed)

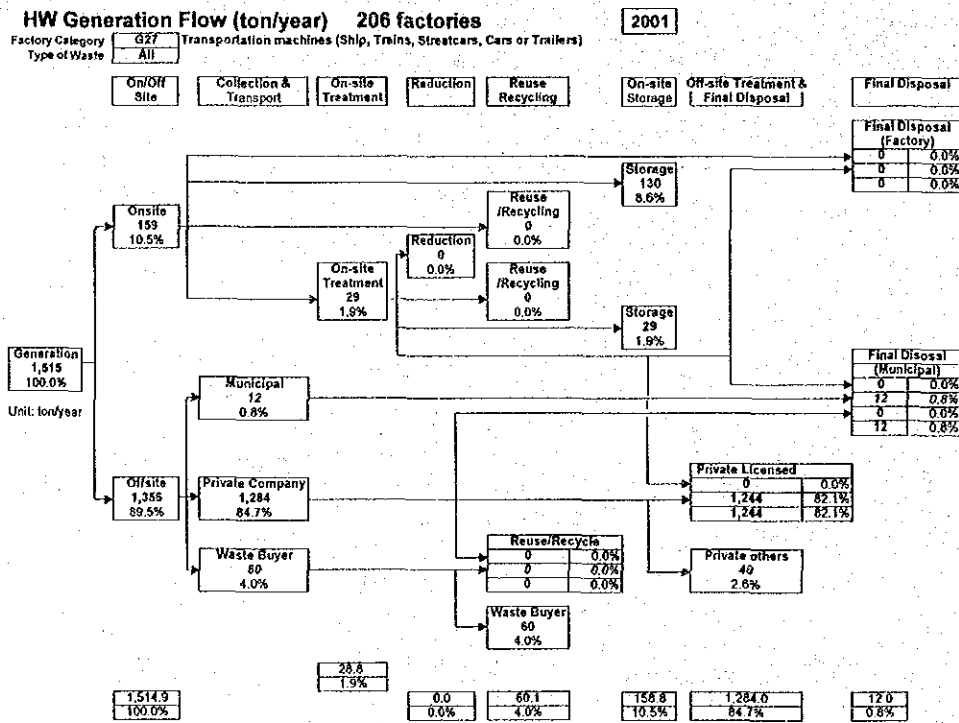


Figure 3-87: HW Flow (All types of HW from G27 among 206 factories surveyed)

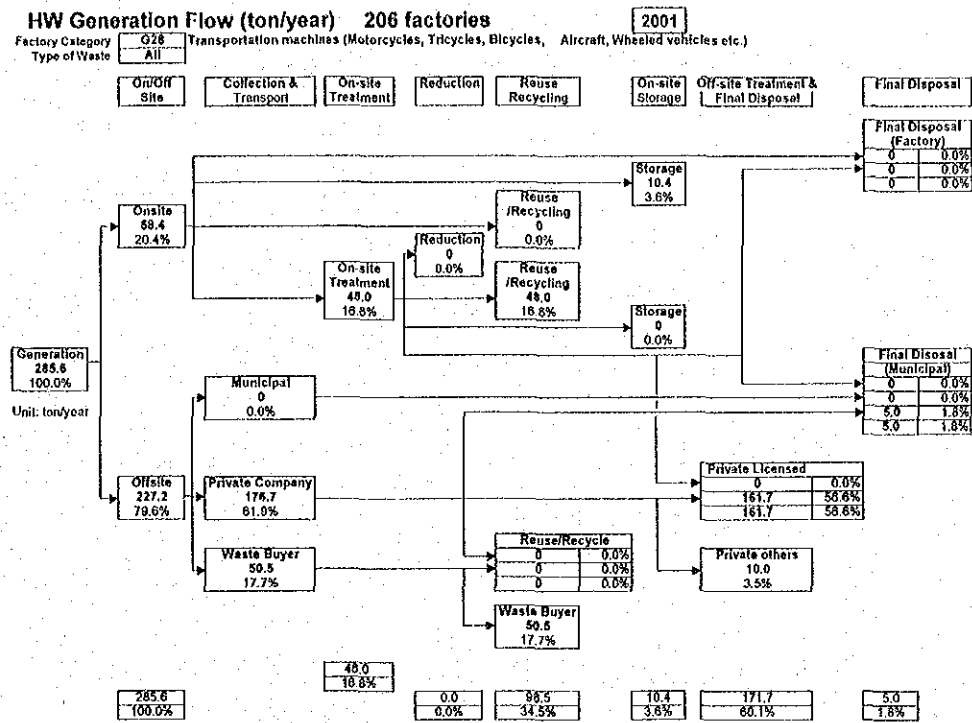


Figure 3-88: HW Flow (All types of HW from G28 among 206 factories surveyed)

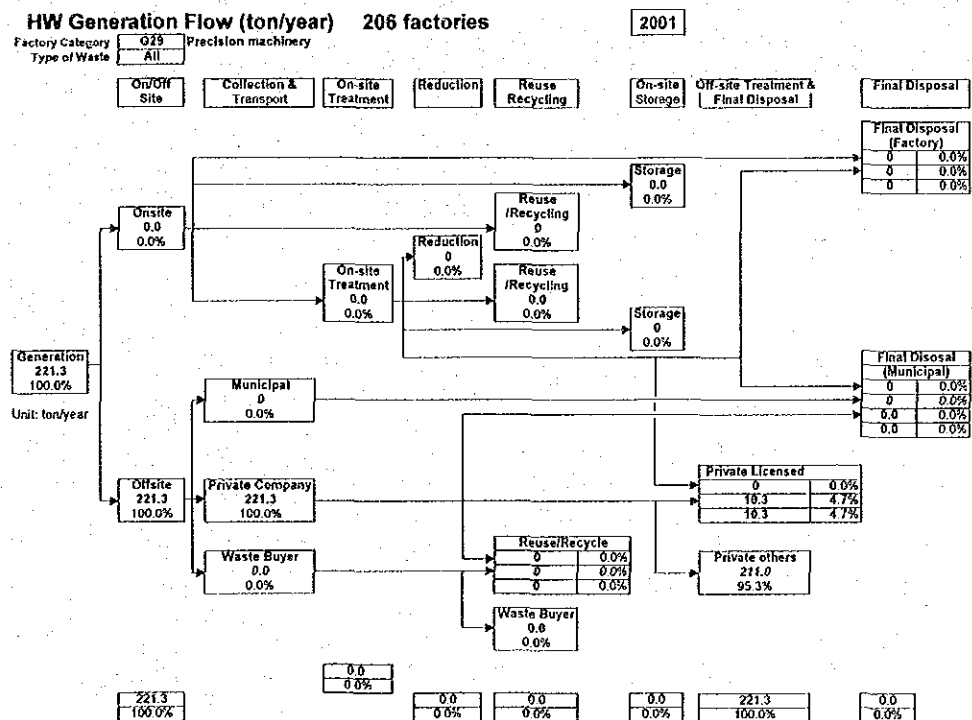


Figure 3-89: HW Flow (All types of HW from G29 among 206 factories surveyed)

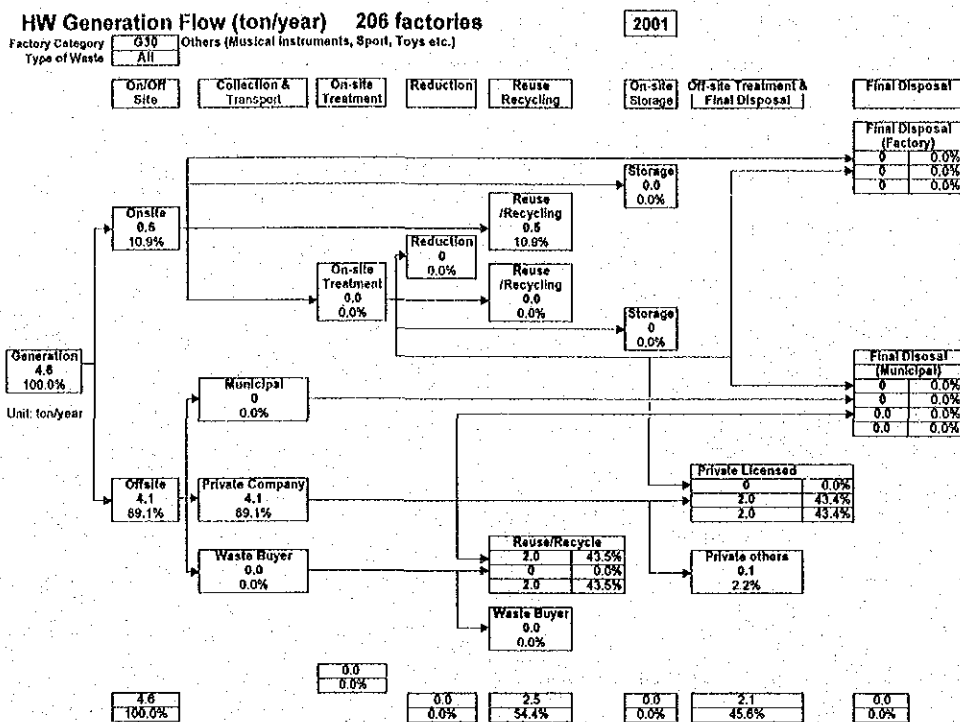


Figure 3-90: HW Flow (All types of HW from G30 among 206 factories surveyed)

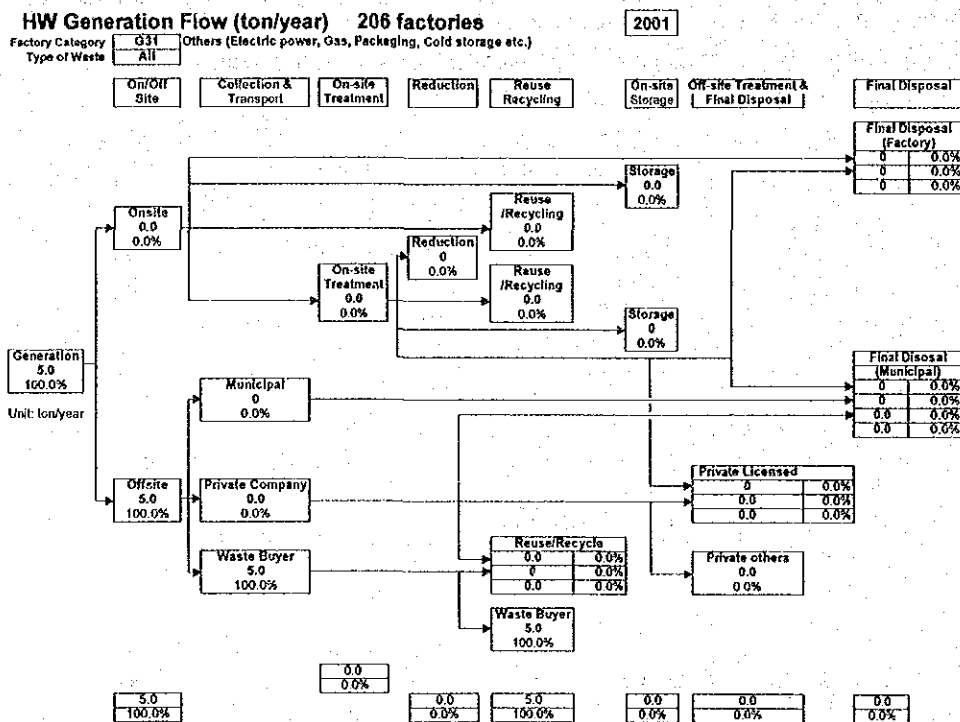


Figure 3-91: HW Flow (All types of HW from G31 among 206 factories surveyed)



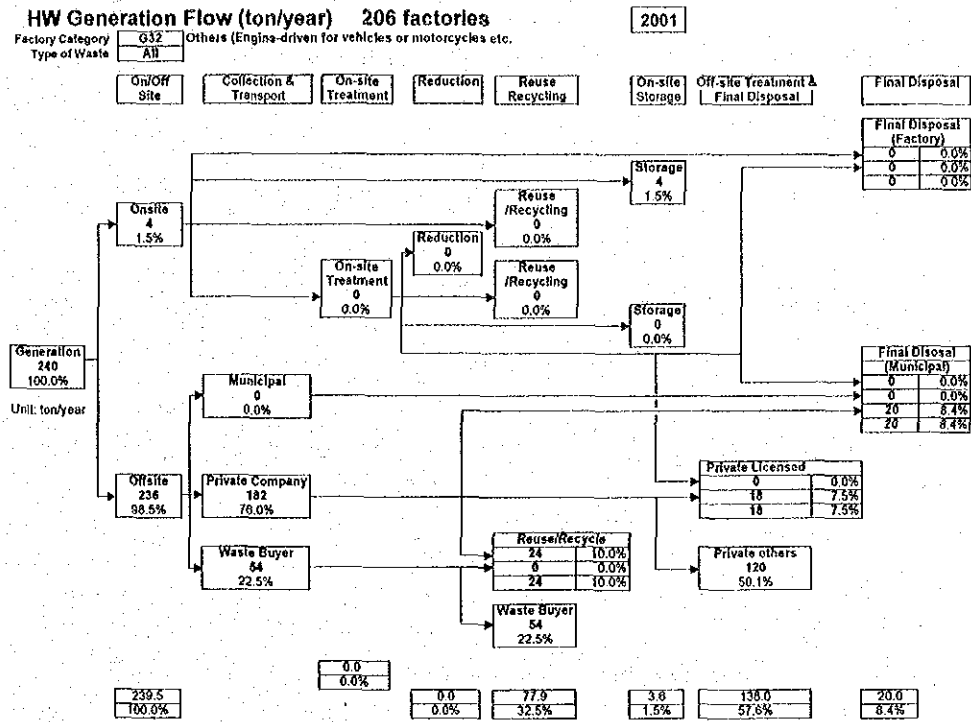


Figure 3-92: HW Flow (All types of HW from G32 among 206 factories surveyed)

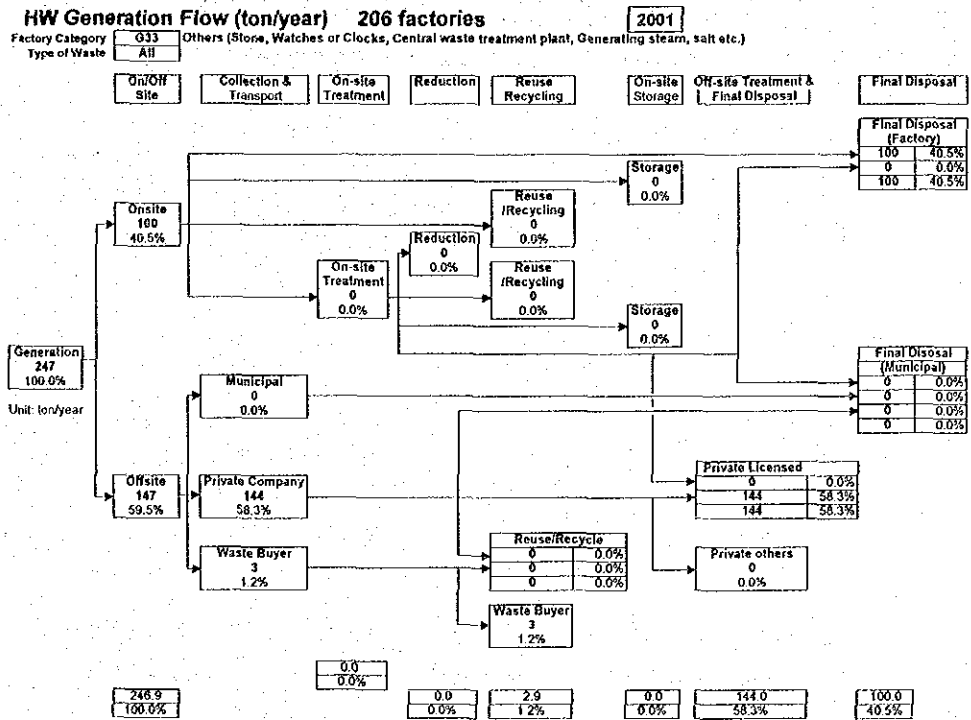


Figure 3-93: HW Flow (All types of HW from G33 among 206 factories surveyed)