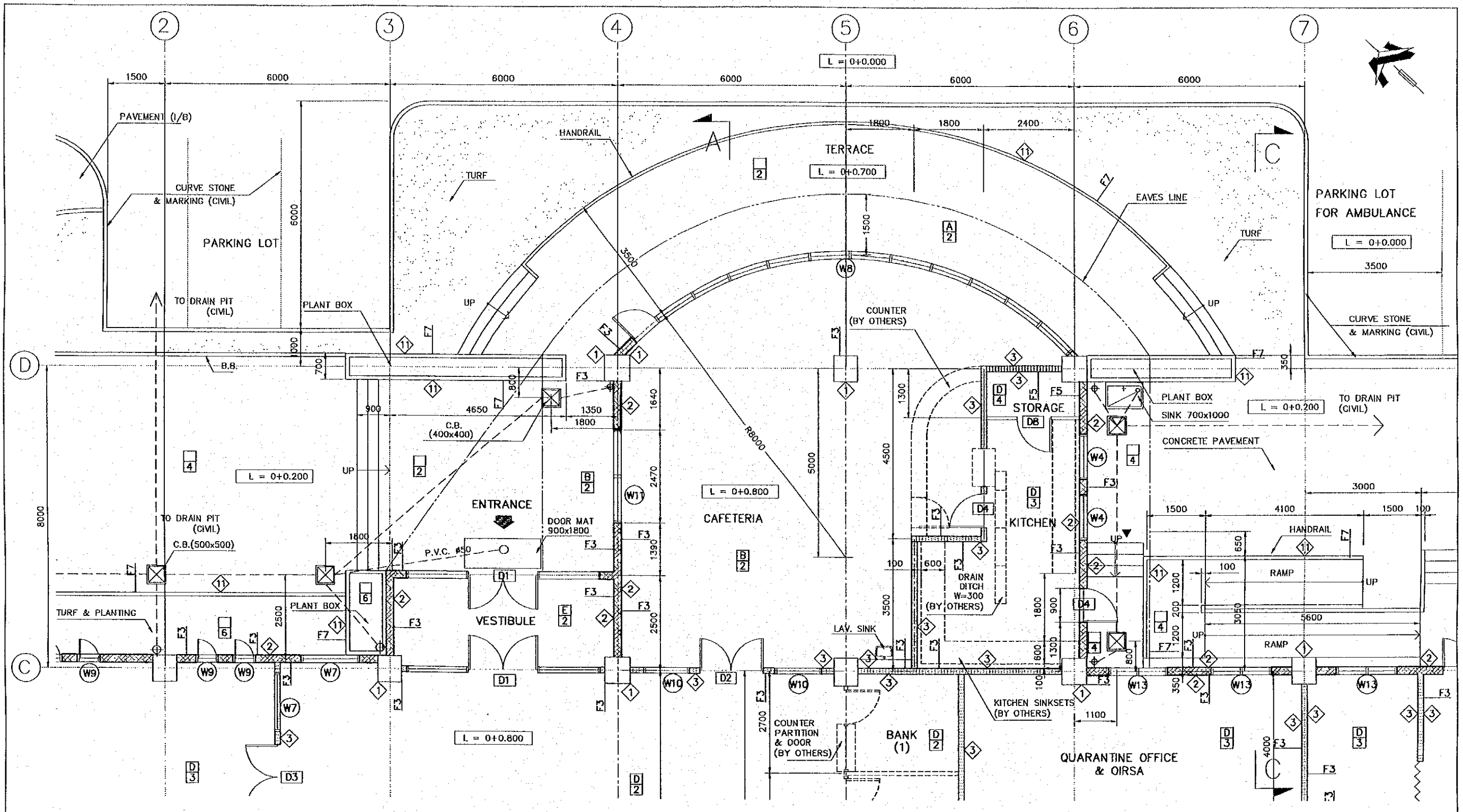


- NOTES**
- FOR GENERAL NOTES, SEE DW-BD-00-001
 - FOR GENERAL PLAN, SEE DW-BD-01-001
 - FOR FINISH SCHEDULE, SEE DW-BD-01-017-021
- GENERAL ABBREVIATION**
- R.D.: ROOF DRAIN
 - C.B.: CATCH BASIN
 - CHB: CONCRETE HOLLOW BLOCK
 - R.C.: REINFORCED CONCRETE
 - F.D.: FLOOR DRAIN
 - P.S.: PIPE SHAFT
 - D.S.: DOWNSPOUT
 - I/B.: INTERLOCKING PAVEMENT BLOCK
 - C/P: CONCRETE PAVEMENT
 - F.L.: FLOOR FINISH LEVEL
 - G.L.: GROUND LEVEL
 - C.H.: CEILING HEIGHT
 - ~: CURTAIN RAIL
 - V: VENETIAN BLIND BOX
 - ELV.: ELEVATOR
 - B.B.: BORDER BLOCK
 - F.H.: FIRE HYDRANT
- FINISH INDICATION**
- (W1) WINDOW No.
 - (D5) DOOR No.
 - F12 | WALL SURFACE FINISH
 - ◇ WALL MATERIAL
 - A | CEILING FINISH & MATERIAL
 - 4 | FLOOR FINISH
- LEGENDS**
- RC WALL t=200
 - CONCRETE BLOCK WALL t=200
 - CONCRETE BLOCK WALL t=150
 - CONCRETE BLOCK WALL t=100
 - LIGHT GAGE PARTITION
 - TOILET PARTITION

FIRST FLOOR PLAN
PART-1
SCALE 1:100

REV. NO.	DATE	COORDINATE	BY	APPROVED	DATE	JICA JAPAN INTERNATIONAL COOPERATION AGENCY (JICA)	CEPA COMISION EJECUTIVA PORTUARIA AUTONOMA (CEPA)	NIPPON KOEI CO., LTD THE DETAILED DESIGN ON PORT REACTIVATION PROJECT IN LA UNION PROVINCE OF THE REPUBLIC OF EL SALVADOR	DESIGNED BY :	SECTION :	BUILDING WORK	DATE :	OCTOBER/2002
					CHECKED BY :				SUB-SECTION :	PORT ADMINISTRATION BUILDING	SCALE :	1 : 100	
					APPROVED BY :				TITLE :	FINISH PLAN: FIRST FLOOR (PART 1)	DRAWING NO.:	BD-01-021	



FIRST FLOOR PLAN
PART-2
SCALE 1:100

LEGENDS

	RC WALL t=200
	CONCRETE BLOCK WALL t=200
	CONCRETE BLOCK WALL t=150
	CONCRETE BLOCK WALL t=100
	LIGHT GAGE PARTITION
	TOILET PARTITION

FINISH INDICATION

	WINDOW No.
	DOOR No.
	WALL SURFACE FINISH
	WALL MATERIAL
	CEILING FINISH & MATERIAL
	FLOOR FINISH

NOTES

- FOR GENERAL NOTES, SEE DW-BD-00-001
- FOR GENERAL PLAN, SEE DW-BD-01-001
- FOR FINISH SCHEDULE, SEE DW-BD-01-017-021

GENERAL ABBREVIATION

R.D.:	ROOF DRAIN	F.L.:	FLOOR FINISH LEVEL
C.B.:	CATCH BASIN	G.L.:	GROUND LEVEL
CHB:	CONCRETE HOLLOW BLOCK	C.H.:	CEILING HEIGHT
R.C.:	REINFORCED CONCRETE		CURTAIN RAIL
F.D.:	FLOOR DRAIN	V.:	VENETIAN BLIND BOX
P.S.:	PIPE SHAFT	ELV.:	ELEVATOR
D.S.:	DOWNSPOUT	B.B.:	BORDER BLOCK
I/B.:	INTERLOCKING PAYMENT BLOCK	F.H.:	FIRE HYDRANT
C/P.:	CONCRETE PAVEMENT		

REV. NO.	DATE	COORDINATE	BY	APPROVED	DATE

JICA
JAPAN INTERNATIONAL COOPERATION AGENCY (JICA)

Cepa
COMISION EJECUTIVA PORTUARIA AUTONOMA (CEPA)

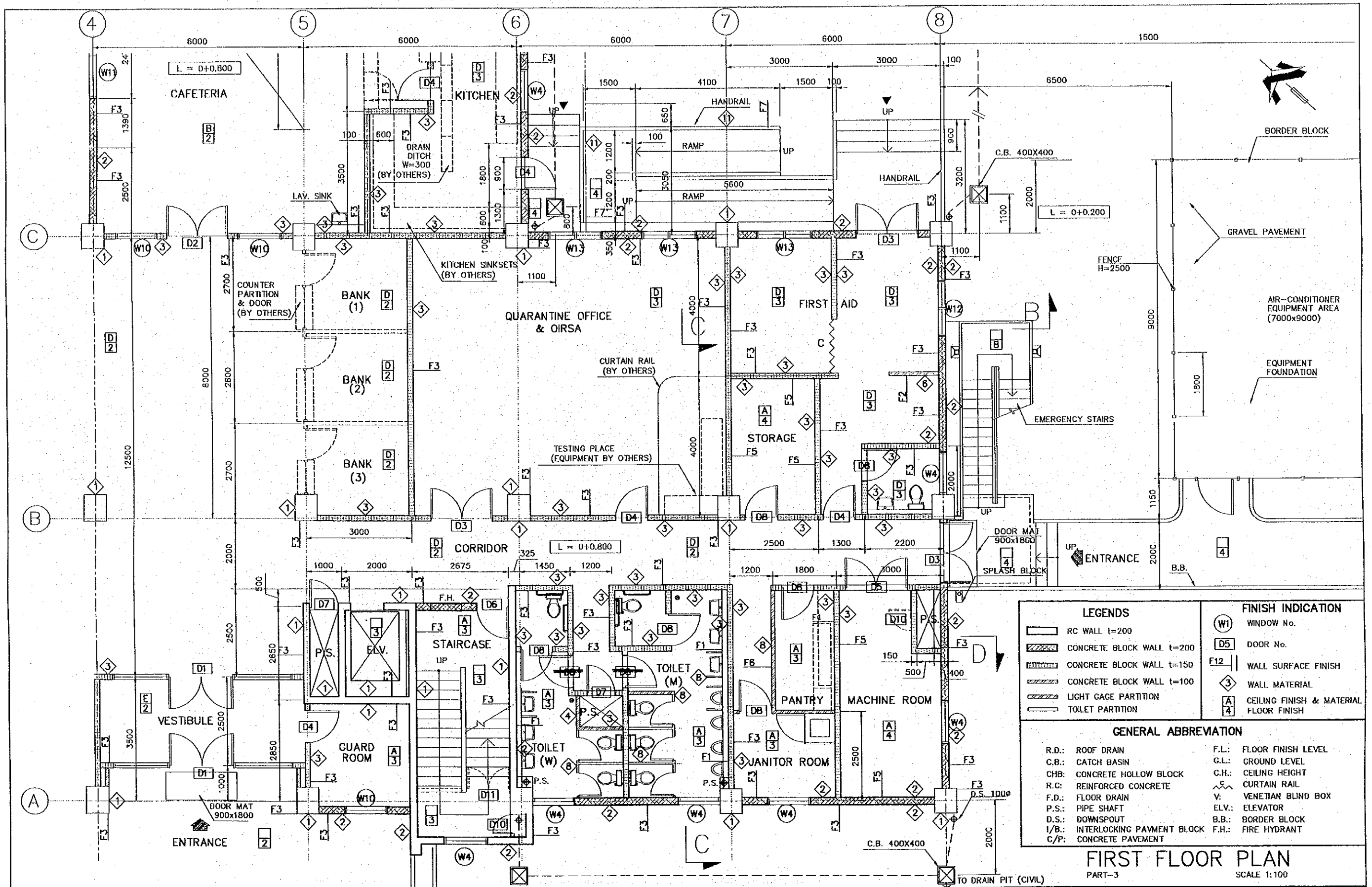
THE DETAILED DESIGN ON PORT REACTIVATION PROJECT IN LA UNION PROVINCE OF THE REPUBLIC OF EL SALVADOR

NIPON KOEI CO., LTD

DESIGNED BY:
CHECKED BY:
APPROVED BY:

SECTION: BUILDING WORK
SUB-SECTION: PORT ADMINISTRATION BUILDING
TITLE: FINISH PLAN: FIRST FLOOR (PART 2)

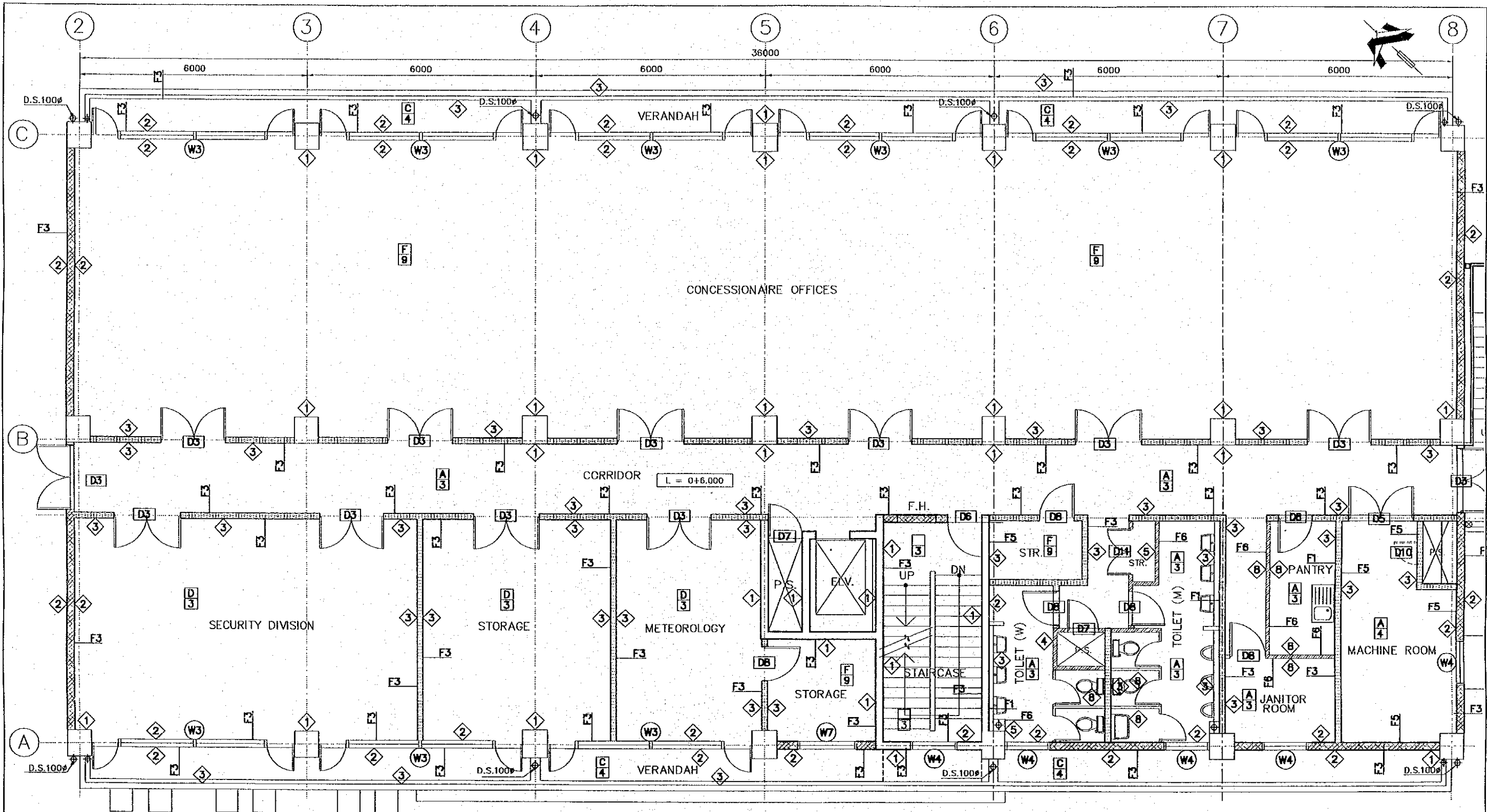
DATE: OCTOBER/2002
SCALE: 1:100
DRAWING NO: BD-01-022



LEGENDS		FINISH INDICATION	
	RC WALL t=200		WINDOW No.
	CONCRETE BLOCK WALL t=200		DOOR No.
	CONCRETE BLOCK WALL t=150		WALL SURFACE FINISH
	CONCRETE BLOCK WALL t=100		WALL MATERIAL
	LIGHT GAGE PARTITION		CEILING FINISH & MATERIAL
	TOILET PARTITION		FLOOR FINISH
GENERAL ABBREVIATION			
R.D.:	ROOF DRAIN	F.L.:	FLOOR FINISH LEVEL
C.B.:	CATCH BASIN	G.L.:	GROUND LEVEL
CHB:	CONCRETE HOLLOW BLOCK	C.H.:	CEILING HEIGHT
R.C.:	REINFORCED CONCRETE	C.R.:	CURTAIN RAIL
F.D.:	FLOOR DRAIN	V.:	VENETIAN BLIND BOX
P.S.:	PIPE SHAFT	ELV.:	ELEVATOR
D.S.:	DOWNSPOUT	B.B.:	BORDER BLOCK
I/B.:	INTERLOCKING PAVEMENT BLOCK	F.H.:	FIRE HYDRANT
C/P.:	CONCRETE PAVEMENT		

FIRST FLOOR PLAN
PART-3
SCALE 1:100

REV. NO. DATE	COORDINATE	BY	APPROVED	DATE	JAPAN INTERNATIONAL COOPERATION AGENCY (JICA) COMISION EJECUTIVA PORTUARIA AUTONOMA (CEPA)	THE DETAILED DESIGN ON PORT REACTIVATION PROJECT IN LA UNION PROVINCE OF THE REPUBLIC OF EL SALVADOR NIPPON KOEI CO., LTD	DESIGNED BY:	SECTION: BUILDING WORK	DATE: OCTOBER/2002
							CHECKED BY:	SUB-SECTION: PORT ADMINISTRATION BUILDING	SCALE: 1:100
							APPROVED BY:	TITLE: FINISH PLAN: FIRST FLOOR (PART 3)	DRAWING NO. BD-01-023



FINISH PLAN: SECOND FLOOR

SCALE 1:100

FINISH INDICATION		LEGENDS	
(W1)	WINDOW No.	[Symbol]	RC WALL t=200
(D5)	DOOR No.	[Symbol]	CONCRETE BLOCK WALL t=200
(F5)	WALL SURFACE FINISH	[Symbol]	CONCRETE BLOCK WALL t=150
(3)	WALL MATERIAL	[Symbol]	CONCRETE BLOCK WALL t=100
(A4)	CEILING FINISH & MATERIAL	[Symbol]	LIGHT GAGE PARTITION
(4)	FLOOR FINISH	[Symbol]	TOILET PARTITION

GENERAL ABBREVIATION			
R.D.:	ROOF DRAIN	D.S.:	DOWNSPOUT
C.B.:	CATCH BASIN	F.L.:	FLOOR FINISH LEVEL
CHB:	CONCRETE HOLLOW BLOCK	G.L.:	GROUND LEVEL
R.C.:	REINFORCED CONCRETE	C.H.:	CEILING HEIGHT
F.D.:	FLOOR DRAIN	~	CURTAIN RAIL
P.S.:	PIPE SHAFT	V.	VENETIAN BLIND BOX
F.H.:	FIRE HYDRANT	ELV.:	ELEVATOR

REV. NO.	DATE	COORDINATE	BY	APPROVED	DATE

JAPAN INTERNATIONAL COOPERATION AGENCY (JICA)

COMISION EJECUTIVA PORTUARIA AUTONOMA (CEPA)

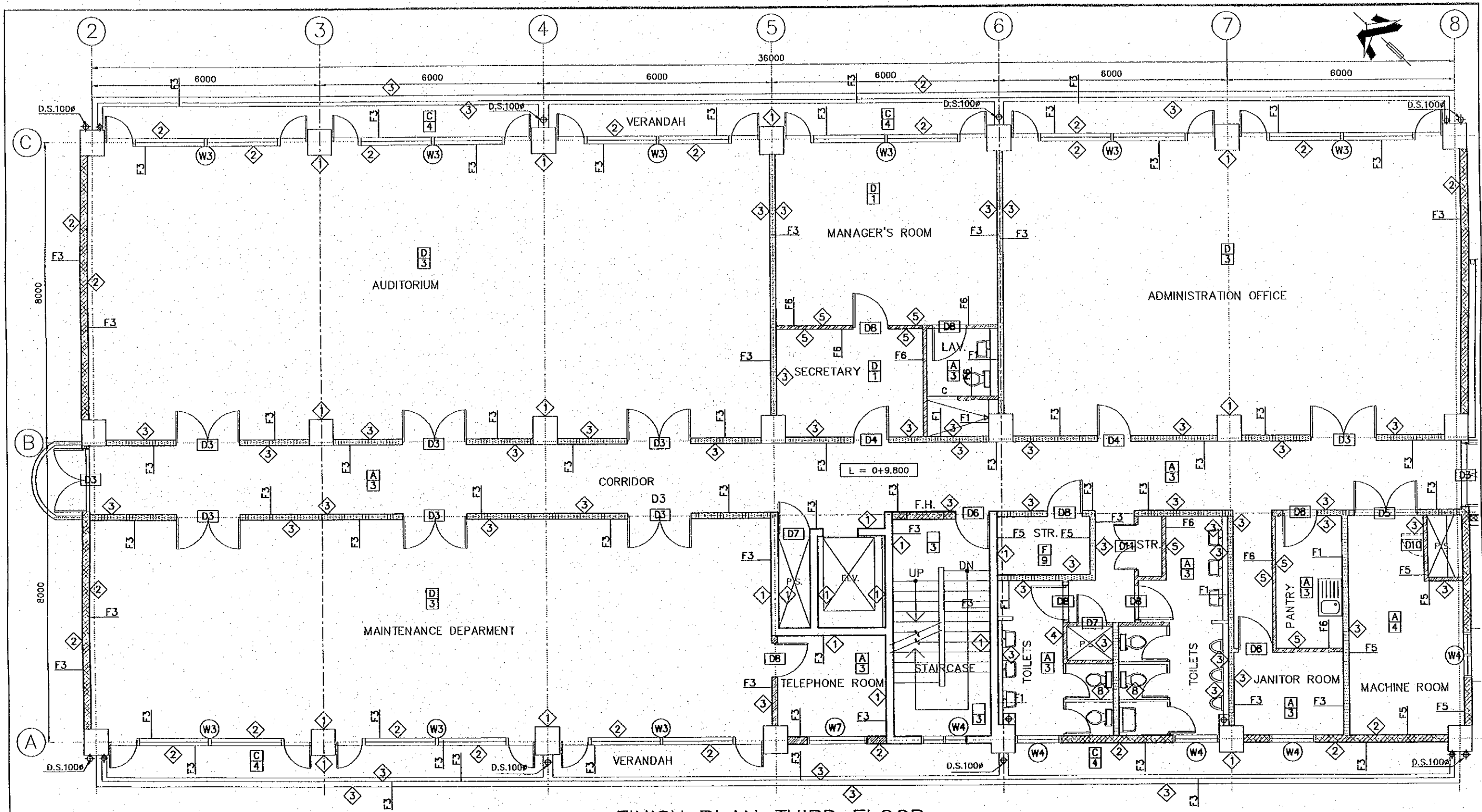
THE DETAILED DESIGN
 ON PORT REACTIVATION PROJECT
 IN LA UNION PROVINCE
 OF THE REPUBLIC OF EL SALVADOR

NIPPON KOEI CO., LTD.

DESIGNED BY:	
CHECKED BY:	
APPROVED BY:	

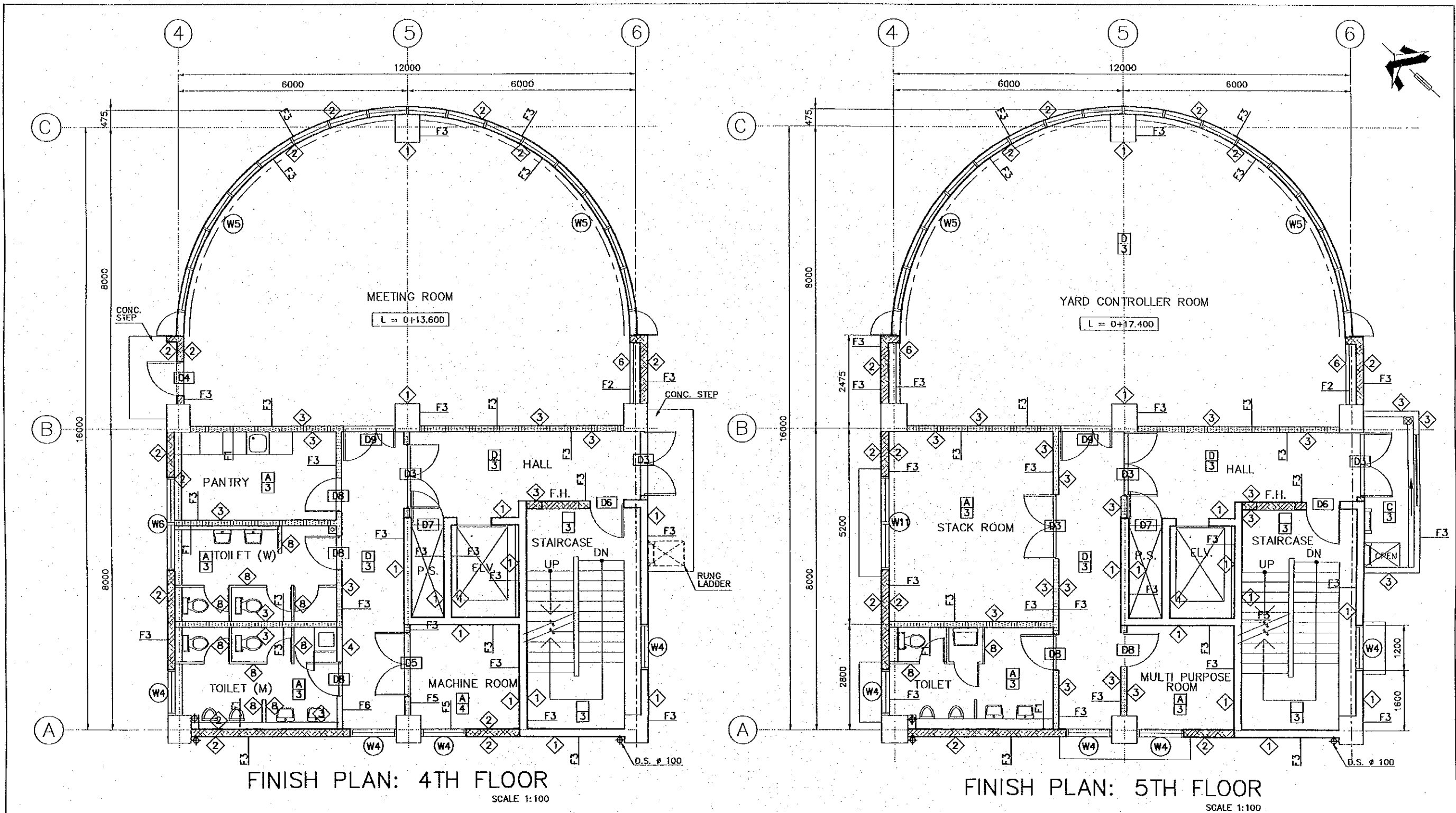
SECTION :	BUILDING WORK
SUB-SECTION :	PORT ADMINISTRATION BUILDING
TITLE :	FINISH PLAN: SECOND FLOOR

DATE :	OCTOBER/2002
SCALE :	1 : 100
DRAWING NO.:	BD-01-024



FINISH PLAN THIRD FLOOR

<p>LEGENDS</p> <ul style="list-style-type: none"> RC WALL t=200 CONCRETE BLOCK WALL t=200 CONCRETE BLOCK WALL t=150 CONCRETE BLOCK WALL t=100 LIGHT GAGE PARTITION TOILET PARTITION 	<p>FINISH INDICATION</p> <ul style="list-style-type: none"> WINDOW No. DOOR No. WALL SURFACE FINISH WALL MATERIAL CEILING FINISH & MATERIAL FLOOR FINISH 	<p>GENERAL ABBREVIATION</p> <table border="0"> <tr> <td>R.D.: ROOF DRAIN</td> <td>D.S.: DOWNSPOUT</td> </tr> <tr> <td>C.B.: CATCH BASIN</td> <td>F.L.: FLOOR FINISH LEVEL</td> </tr> <tr> <td>CHB: CONCRETE HOLLOW BLOCK</td> <td>G.L.: GROUND LEVEL</td> </tr> <tr> <td>R.C.: REINFORCED CONCRETE</td> <td>C.H.: CEILING HEIGHT</td> </tr> <tr> <td>F.D.: FLOOR DRAIN</td> <td>C.R.: CURTAIN RAIL</td> </tr> <tr> <td>P.S.: PIPE SHAFT</td> <td>V: VENETIAN BLIND BOX</td> </tr> <tr> <td>F.H.: FIRE HYDRANT</td> <td>ELV.: ELEVATOR</td> </tr> </table>		R.D.: ROOF DRAIN	D.S.: DOWNSPOUT	C.B.: CATCH BASIN	F.L.: FLOOR FINISH LEVEL	CHB: CONCRETE HOLLOW BLOCK	G.L.: GROUND LEVEL	R.C.: REINFORCED CONCRETE	C.H.: CEILING HEIGHT	F.D.: FLOOR DRAIN	C.R.: CURTAIN RAIL	P.S.: PIPE SHAFT	V: VENETIAN BLIND BOX	F.H.: FIRE HYDRANT	ELV.: ELEVATOR
R.D.: ROOF DRAIN	D.S.: DOWNSPOUT																
C.B.: CATCH BASIN	F.L.: FLOOR FINISH LEVEL																
CHB: CONCRETE HOLLOW BLOCK	G.L.: GROUND LEVEL																
R.C.: REINFORCED CONCRETE	C.H.: CEILING HEIGHT																
F.D.: FLOOR DRAIN	C.R.: CURTAIN RAIL																
P.S.: PIPE SHAFT	V: VENETIAN BLIND BOX																
F.H.: FIRE HYDRANT	ELV.: ELEVATOR																
<p>REV. NO. DATE COORDINATE BY APPROVED DATE</p>	<p> JAPAN INTERNATIONAL COOPERATION AGENCY (JICA)</p> <p> COMISION EJECUTIVA PORTUARIA AUTONOMA (CEPA)</p>	<p>THE DETAILED DESIGN ON PORT REACTIVATION PROJECT IN LA UNION PROVINCE OF THE REPUBLIC OF EL SALVADOR</p> <p> NIPPON KOEI CO., LTD.</p>	<p>DESIGNED BY: _____</p> <p>CHECKED BY: _____</p> <p>APPROVED BY: _____</p> <p>SECTION: BUILDING WORK</p> <p>SUB-SECTION: PORT ADMINISTRATION BUILDING</p> <p>TITLE: FINISH PLAN: THIRD FLOOR</p>	<p>DATE: OCTOBER/2002</p> <p>SCALE: 1 : 100</p> <p>DRAWING NO: BD-01-025</p>													

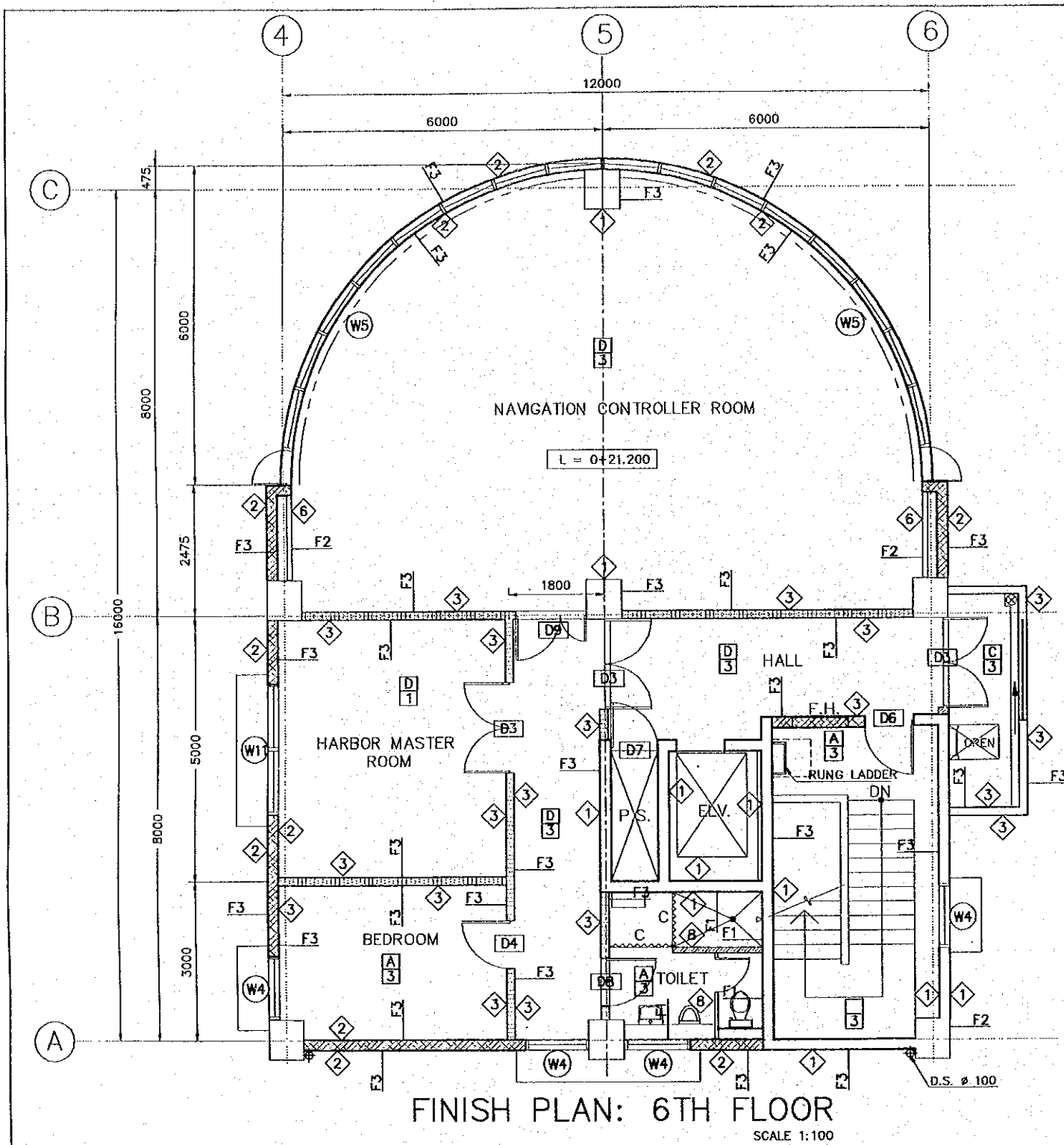


FINISH PLAN: 4TH FLOOR
SCALE 1:100

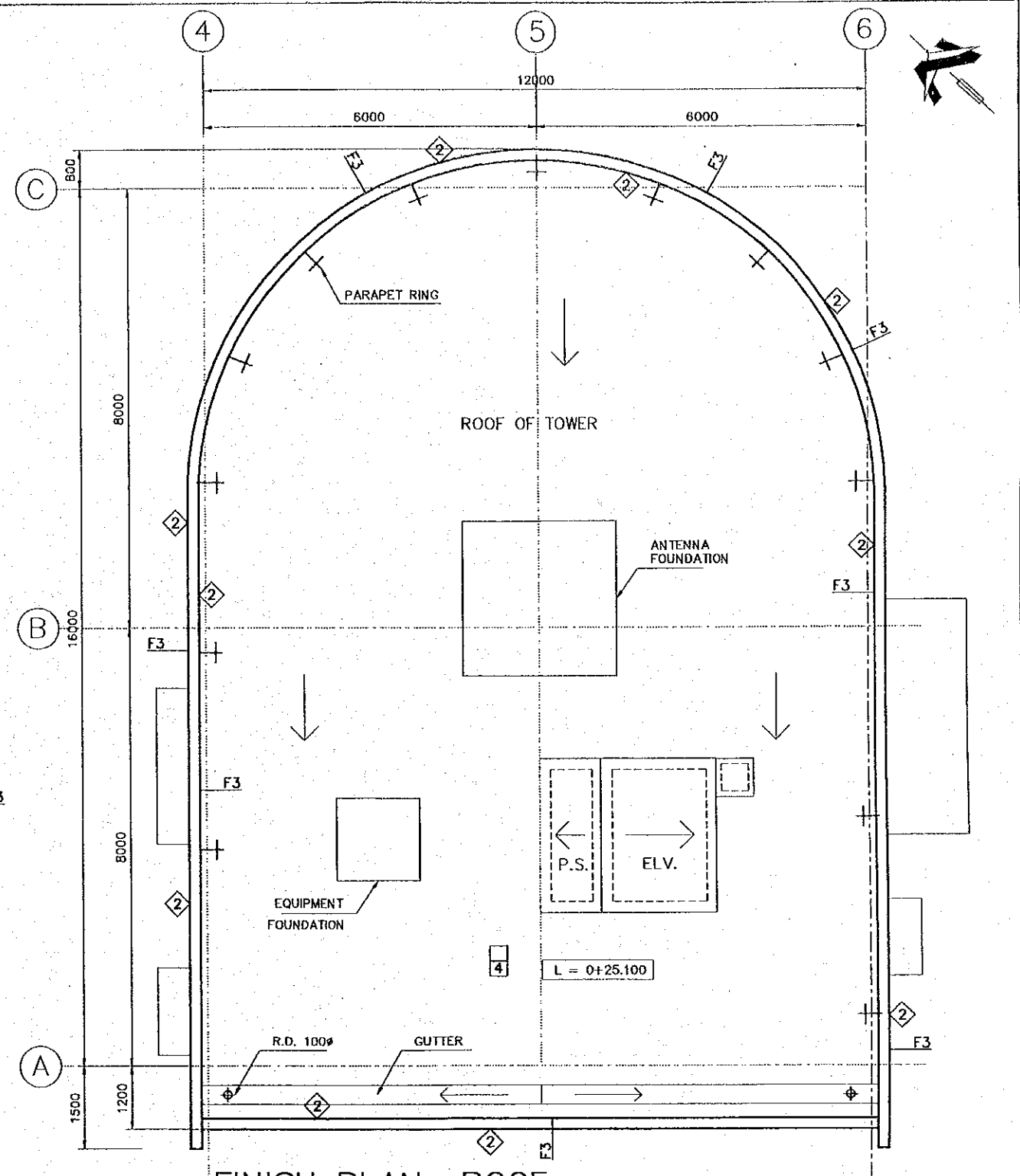
FINISH PLAN: 5TH FLOOR
SCALE 1:100

LEGENDS		FINISH INDICATION		GENERAL ABBREVIATION	
	RC WALL t=200		WINDOW No.	R.D.:	ROOF DRAIN
	CONCRETE BLOCK WALL t=200		DOOR No.	C.B.:	CATCH BASIN
	CONCRETE BLOCK WALL t=150		WALL SURFACE FINISH	CHB:	CONCRETE HOLLOW BLOCK
	CONCRETE BLOCK WALL t=100		WALL MATERIAL	R.C.:	REINFORCED CONCRETE
	LIGHT GAGE PARTITION		CEILING FINISH & MATERIAL	F.D.:	FLOOR DRAIN
	TOILET PARTITION		FLOOR FINISH	P.S.:	PIPE SHAFT
				F.H.:	FIRE HYDRANT
				D.S.:	DOWNSPOUT
				F.L.:	FLOOR FINISH LEVEL
				G.L.:	GROUND LEVEL
				C.H.:	CEILING HEIGHT
				C.R.:	CURTAIN RAIL
				V.:	VENETIAN BLIND BOX
				ELV.:	ELEVATOR

JAPAN INTERNATIONAL COOPERATION AGENCY (JICA) COMISION EJECUTIVA PORTUARIA AUTONOMA (CEPA)	THE DETAILED DESIGN ON PORT REACTIVATION PROJECT IN LA UNION PROVINCE OF THE REPUBLIC OF EL SALVADOR NIPPON KOEI CO., LTD.	DESIGNED BY: CHECKED BY: APPROVED BY:	SECTION : BUILDING WORK SUB-SECTION : PORT ADMINISTRATION BUILDING TITLE : FINISH PLAN: FOURTH & FIFTH FLOORS	DATE : OCTOBER/2002 SCALE : 1 : 100 DRAWING NO. : BD-01-026
---	--	---	--	---



FINISH PLAN: 6TH FLOOR
SCALE 1:100



FINISH PLAN: ROOF
SCALE 1:100

LEGENDS		FINISH INDICATION	
	RC WALL t=200		WINDOW No.
	CONCRETE BLOCK WALL t=200		DOOR No.
	CONCRETE BLOCK WALL t=150		WALL SURFACE FINISH
	CONCRETE BLOCK WALL t=100		WALL MATERIAL
	LIGHT GAGE PARTITION		Ceiling FINISH & MATERIAL
	TOILET PARTITION		FLOOR FINISH

GENERAL ABBREVIATION			
R.D.:	ROOF DRAIN	D.S.:	DOWNSPOUT
C.B.:	CATCH BASIN	F.L.:	FLOOR FINISH LEVEL
CHB:	CONCRETE HOLLOW BLOCK	G.L.:	GROUND LEVEL
R.C.:	REINFORCED CONCRETE	C.H.:	CEILING HEIGHT
F.D.:	FLOOR DRAIN	C.R.:	CURTAIN RAIL
P.S.:	PIPE SHAFT	V.:	VENETIAN BLIND BOX
F.H.:	FIRE HYDRANT	ELV.:	ELEVATOR

REV. NO.	DATE	COORDINATE	BY	APPROVED	DATE

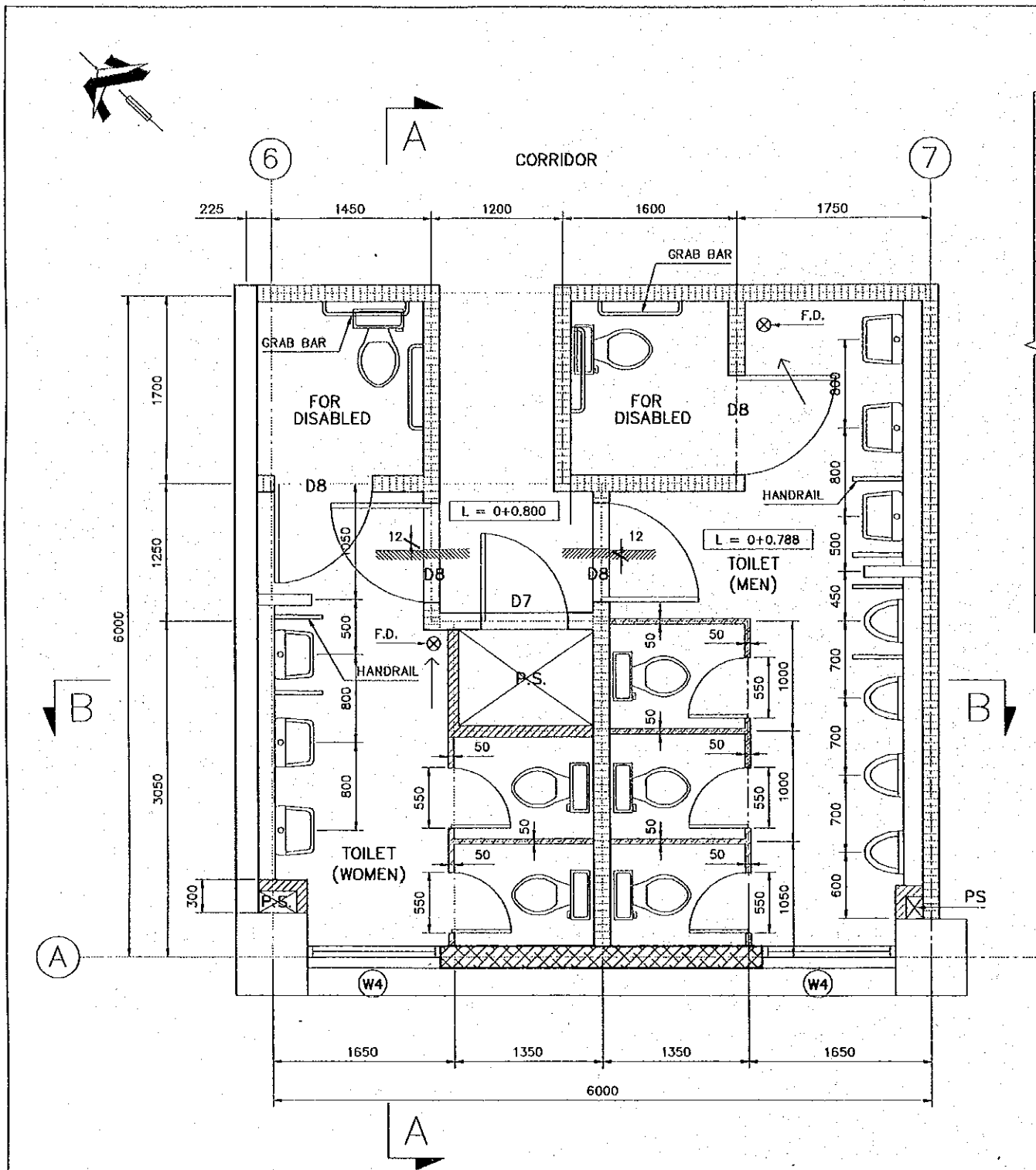
JAPAN INTERNATIONAL COOPERATION AGENCY (JICA)
 COMISION EJECUTIVA PORTUARIA AUTONOMA (CEPA)

THE DETAILED DESIGN
 ON PORT REACTIVATION PROJECT
 IN LA UNION PROVINCE
 OF THE REPUBLIC OF EL SALVADOR
 NIPPON KOEI CO., LTD.

DESIGNED BY :	
CHECKED BY :	
APPROVED BY :	

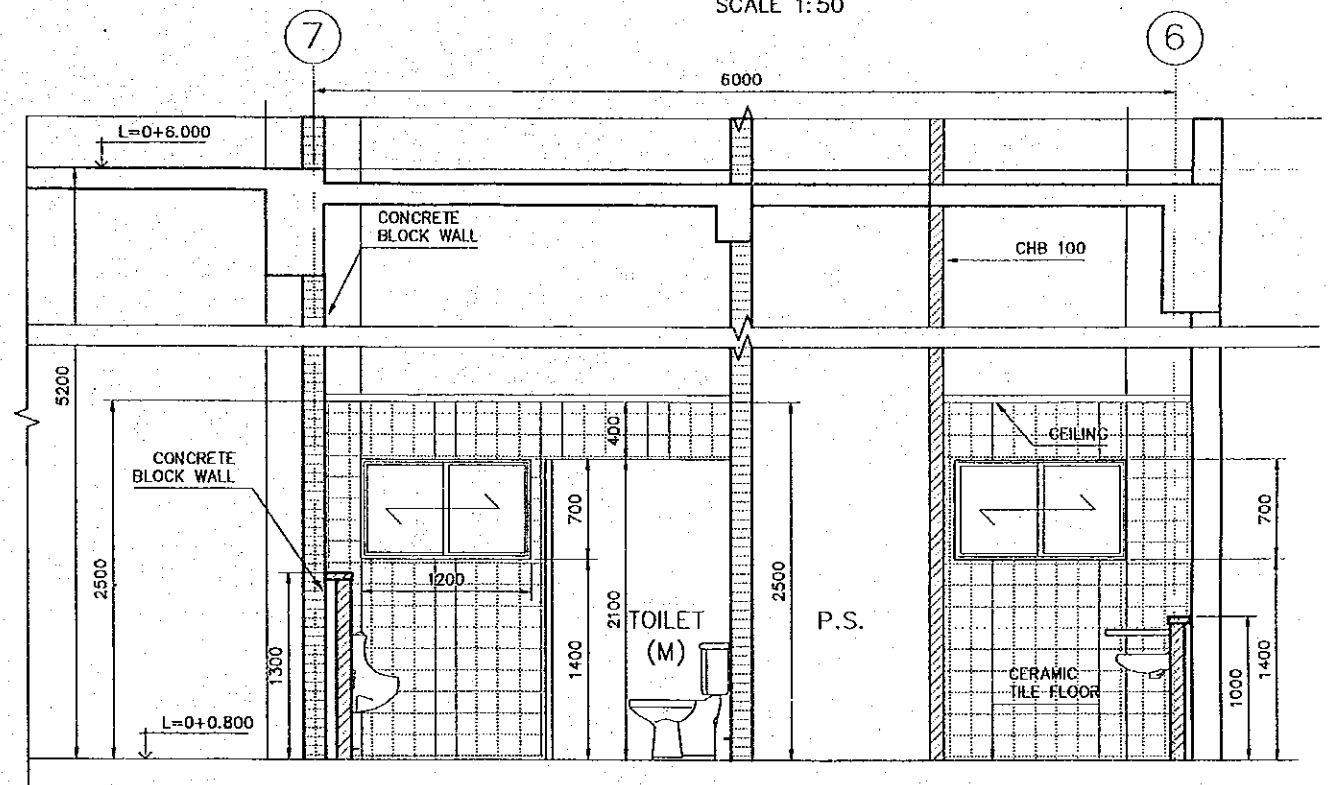
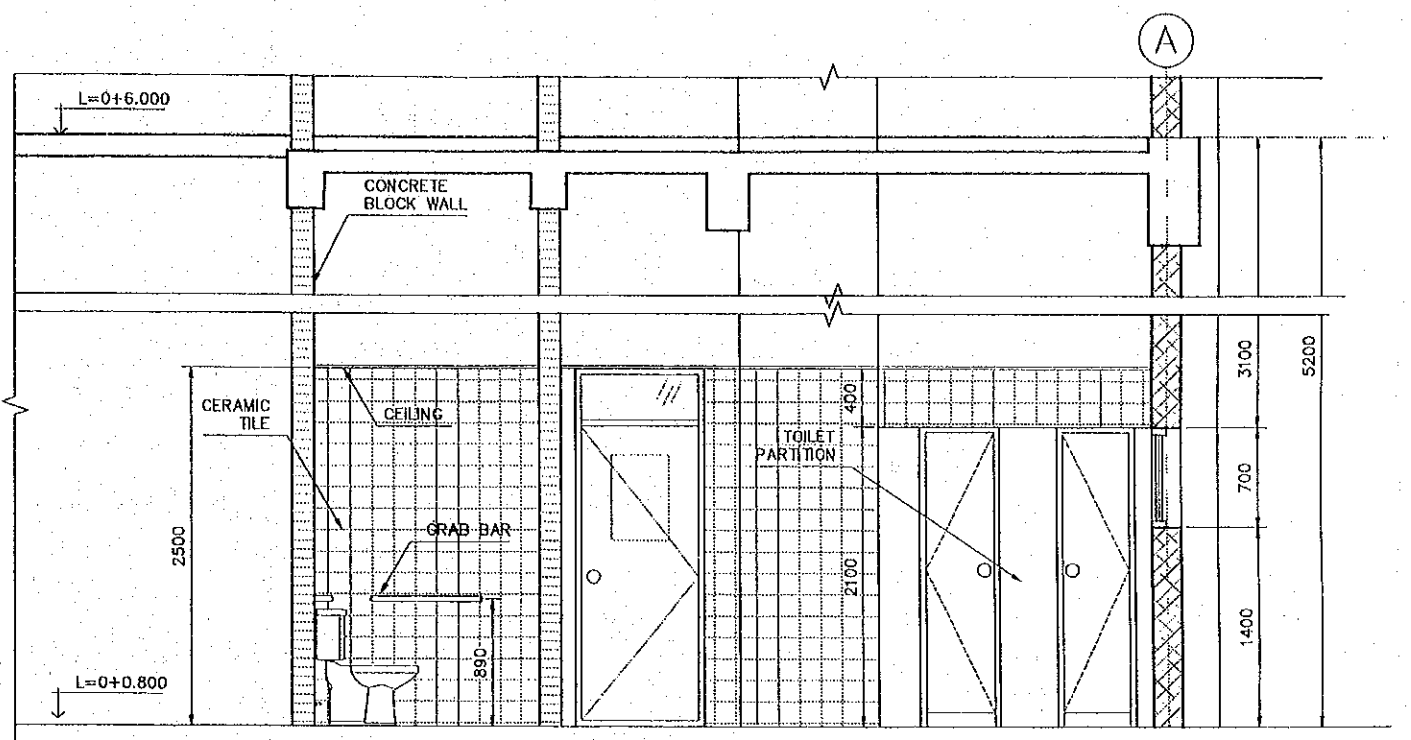
SECTION :	BUILDING WORK
SUB-SECTION :	PORT ADMINISTRATION BUILDING
TITLE :	FINISH PLAN: SIXTH FLOOR AND ROOF

DATE :	OCTOBER/2002
SCALE :	1 : 100
DRAWING NO.:	BD-01-027



LEGENDS

	RC WALL t=200
	CONCRETE BLOCK WALL t=200
	CONCRETE BLOCK WALL t=150
	CONCRETE BLOCK WALL t=100
	TOILET PARTITION



REV. NO.	DATE	COORDINATE	BY	APPROVED	DATE

JICA
JAPAN INTERNATIONAL COOPERATION AGENCY (JICA)

Cepa
COMISION EJECUTIVA PORTUARIA AUTONOMA (CEPA)

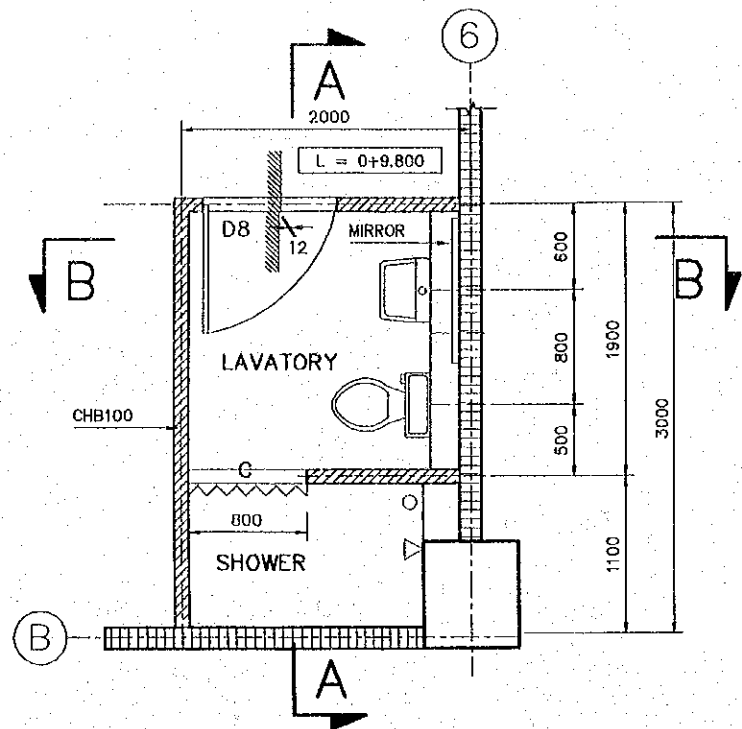
THE DETAILED DESIGN
ON PORT REACTIVATION PROJECT
IN LA UNION PROVINCE
OF THE REPUBLIC OF EL SALVADOR

NK
NIPPON KOEI CO., LTD.

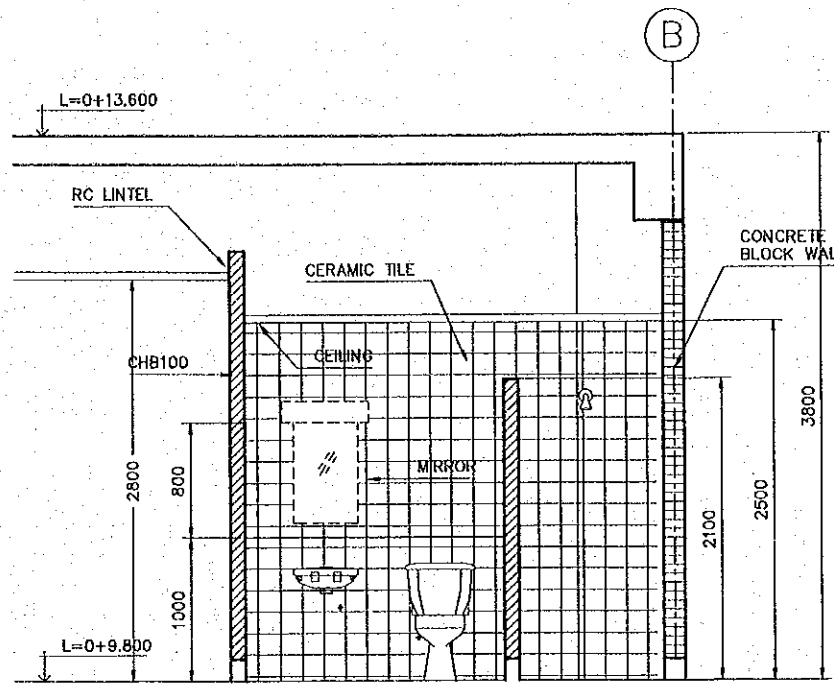
DESIGNED BY :	
CHECKED BY :	
APPROVED BY :	

SECTION :	BUILDING WORK
SUB-SECTION :	PORT ADMINISTRATION BUILDING
TITLE :	TOILET DETAIL - 01

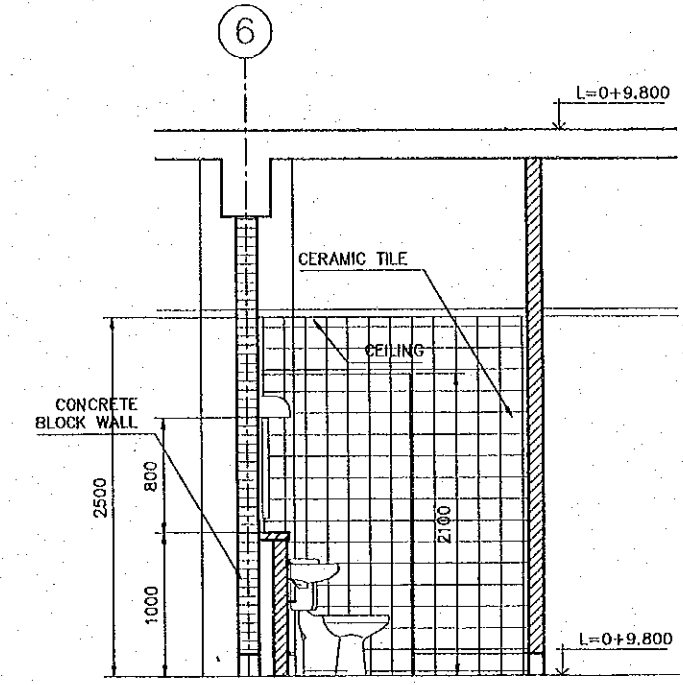
DATE :	OCTOBER/2002
SCALE :	1 : 50
DRAWING NO. :	BD-01-02B



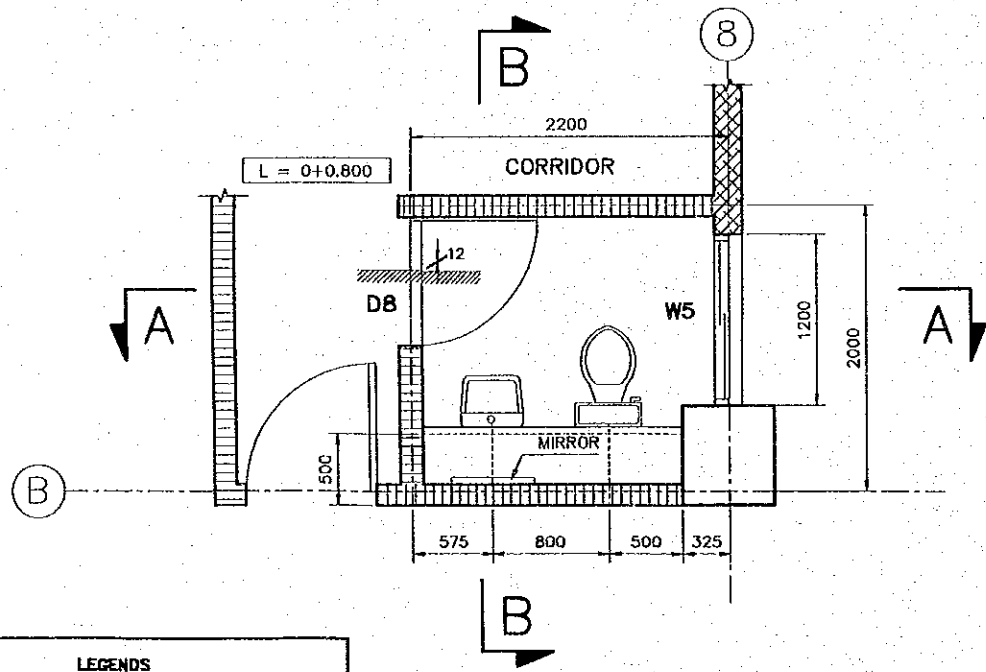
PLAN OF LAVATORY (3RD FLOOR)
SCALE 1:50



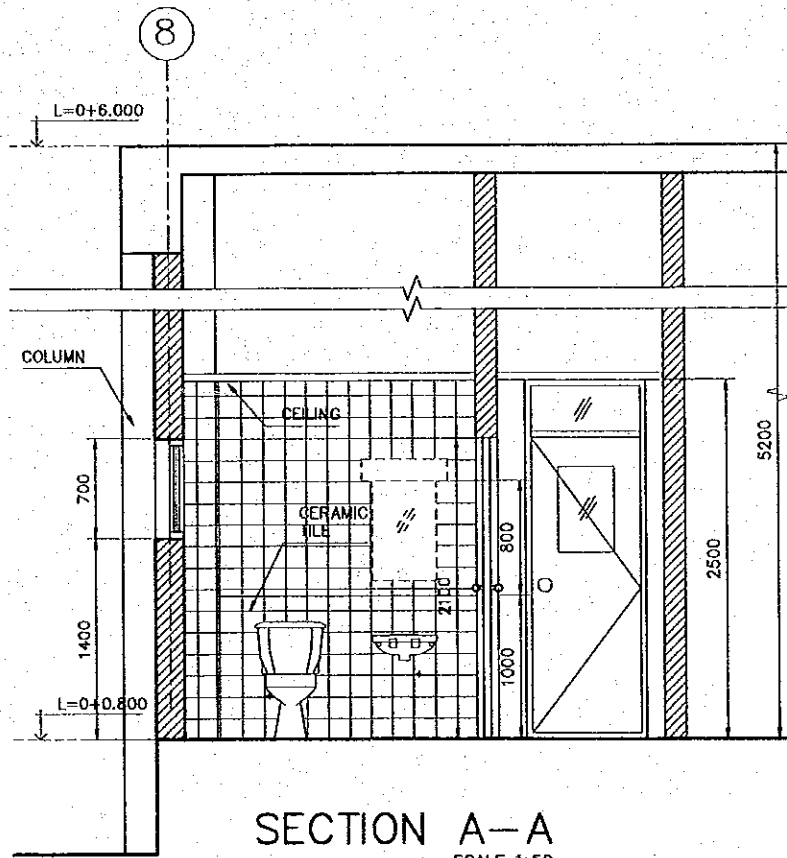
SECTION A-A
SCALE 1:50



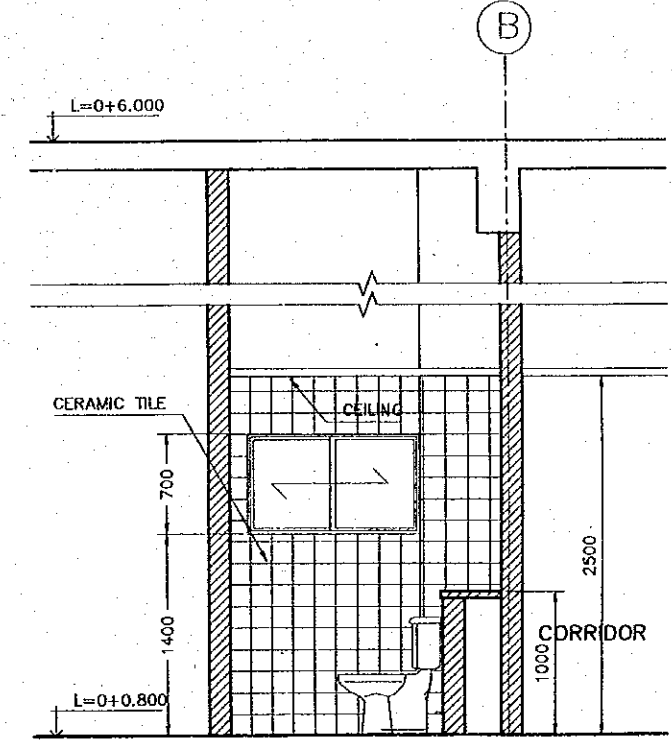
SECTION B-B
SCALE 1:50



PLAN OF LAVATORY (1ST FLOOR)
SCALE 1:50



SECTION A-A
SCALE 1:50



SECTION B-B
SCALE 1:50

LEGENDS

- RC WALL t=200
- CONCRETE BLOCK WALL t=200
- CONCRETE BLOCK WALL t=150
- CONCRETE BLOCK WALL t=100
- TOILET PARTITION

REV. NO.	DATE	COORDINATE	BY	APPROVED	DATE

JICA
JAPAN INTERNATIONAL COOPERATION AGENCY (JICA)

Cepa
COMISION EJECUTIVA PORTUARIA AUTONOMA (CEPA)

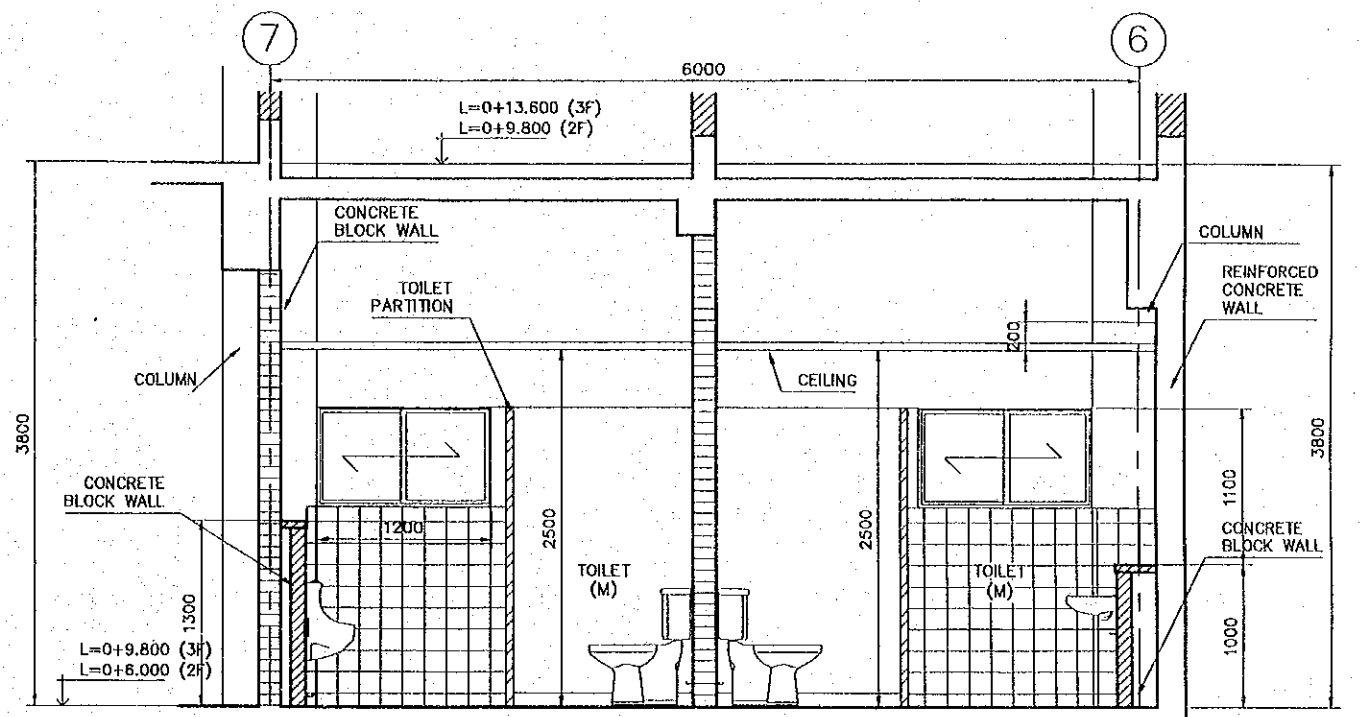
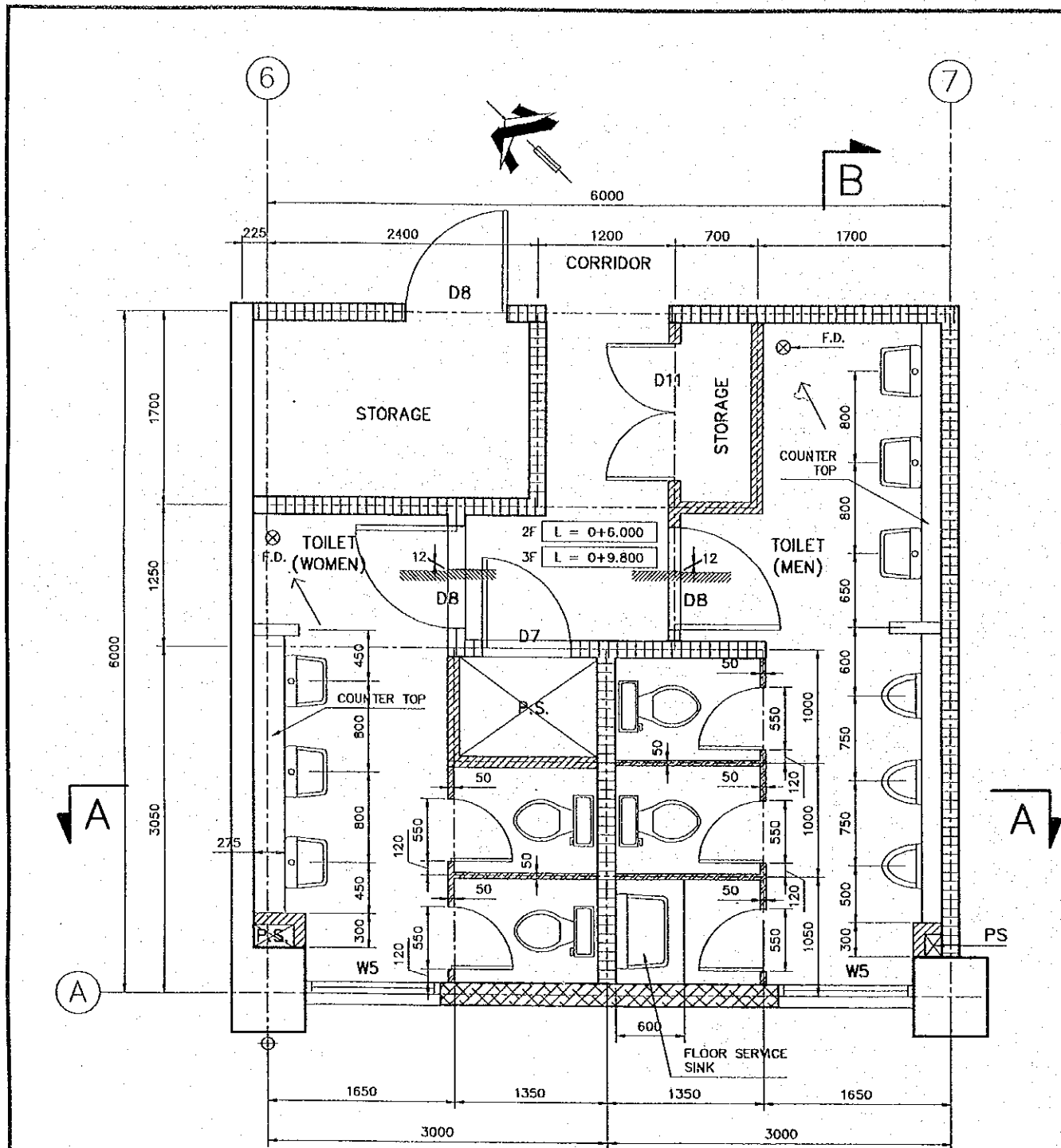
THE DETAILED DESIGN
ON PORT REACTIVATION PROJECT
IN LA UNION PROVINCE
OF THE REPUBLIC OF EL SALVADOR

NIPPON KOEI CO., LTD.

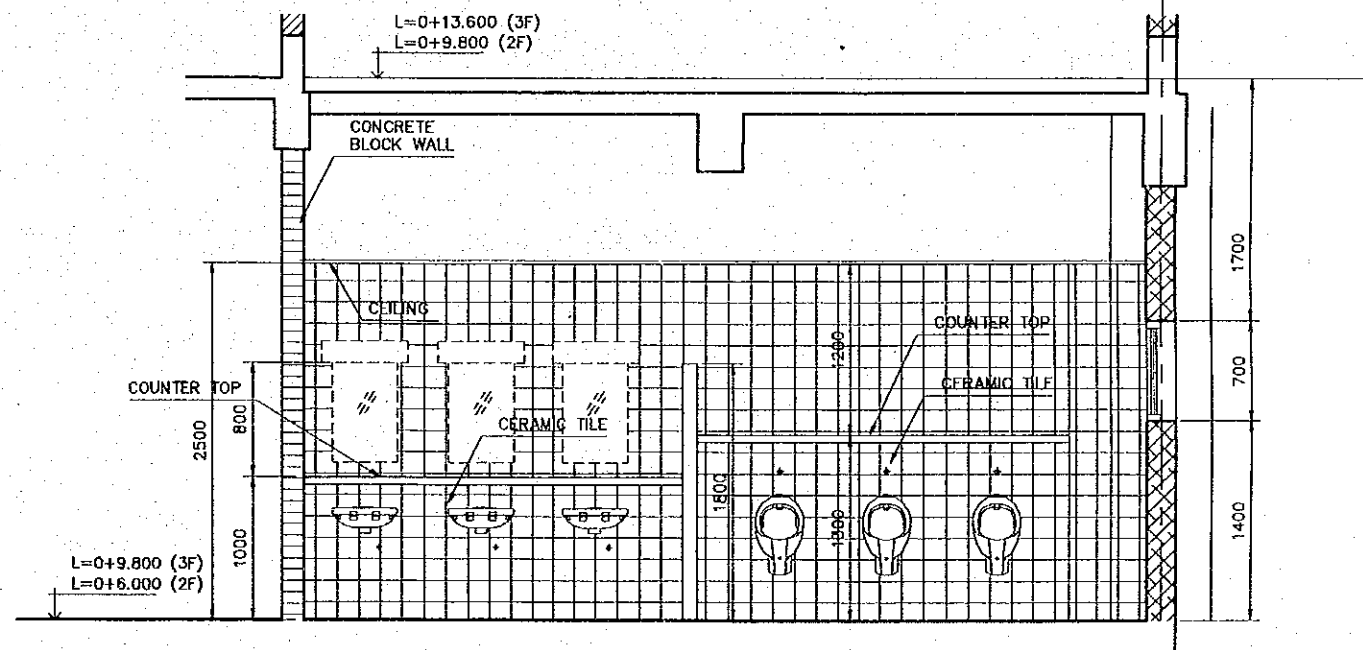
DESIGNED BY :
CHECKED BY :
APPROVED BY :

SECTION : BUILDING WORK
SUB-SECTION : PORT ADMINISTRATION BUILDINGS
TITLE : TOILET DETAIL - 02

DATE : OCTOBER/2002
SCALE : 1 : 50
DRAWING NO. : BD-01-029



SECTION A-A
SCALE 1:50



SECTION B-B
SCALE 1:50

- LEGENDS**
- RC WALL t=200
 - CONCRETE BLOCK WALL t=200
 - CONCRETE BLOCK WALL t=150
 - CONCRETE BLOCK WALL t=100
 - TOILET PARTITION

TOILET DETAIL PLAN
2ND & 3RD FLOOR PLAN
SCALE 1:50

NOTE:
SANITARY WARE SHALL BE UTILITY WORK UNDER THE CONTRACT

REV. NO.	DATE	COORDINATE	BY	APPROVED	DATE

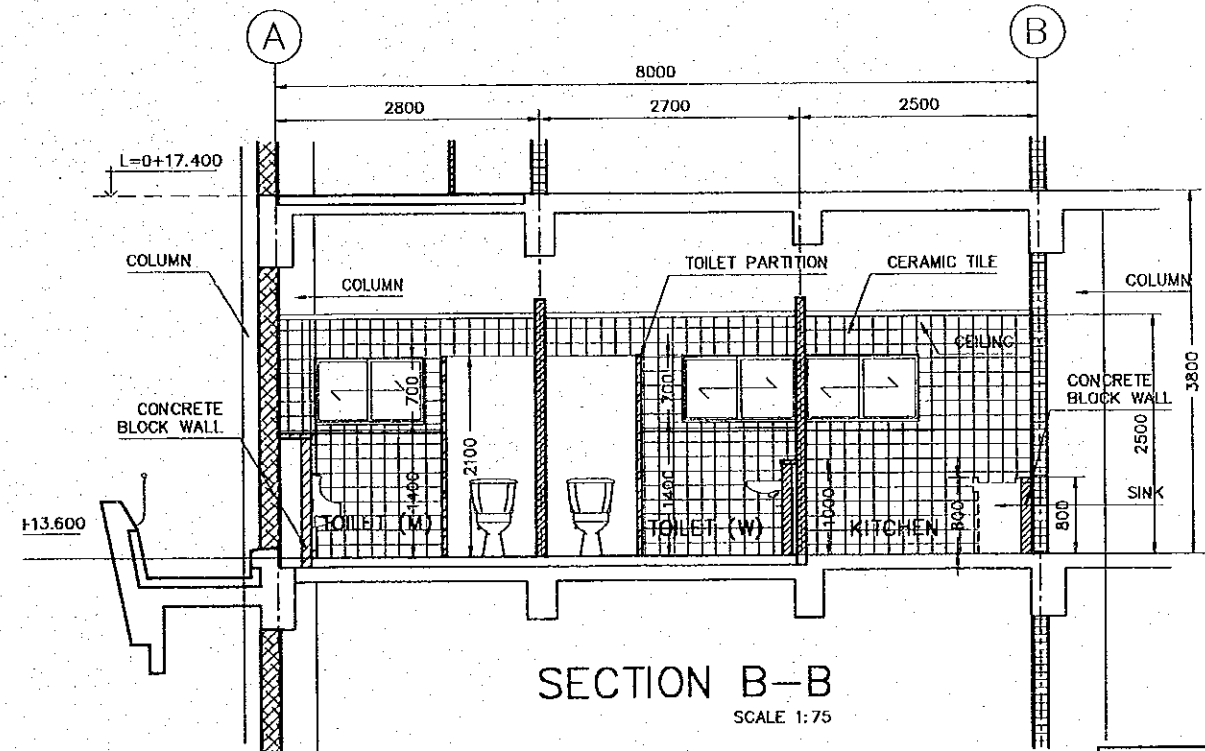
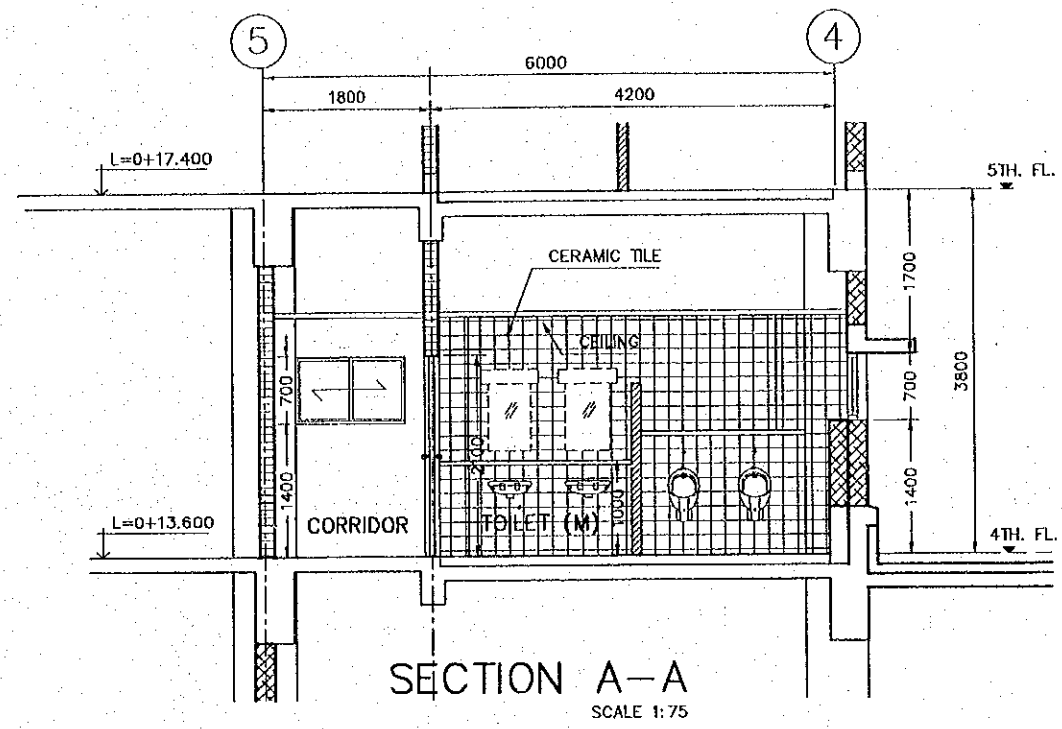
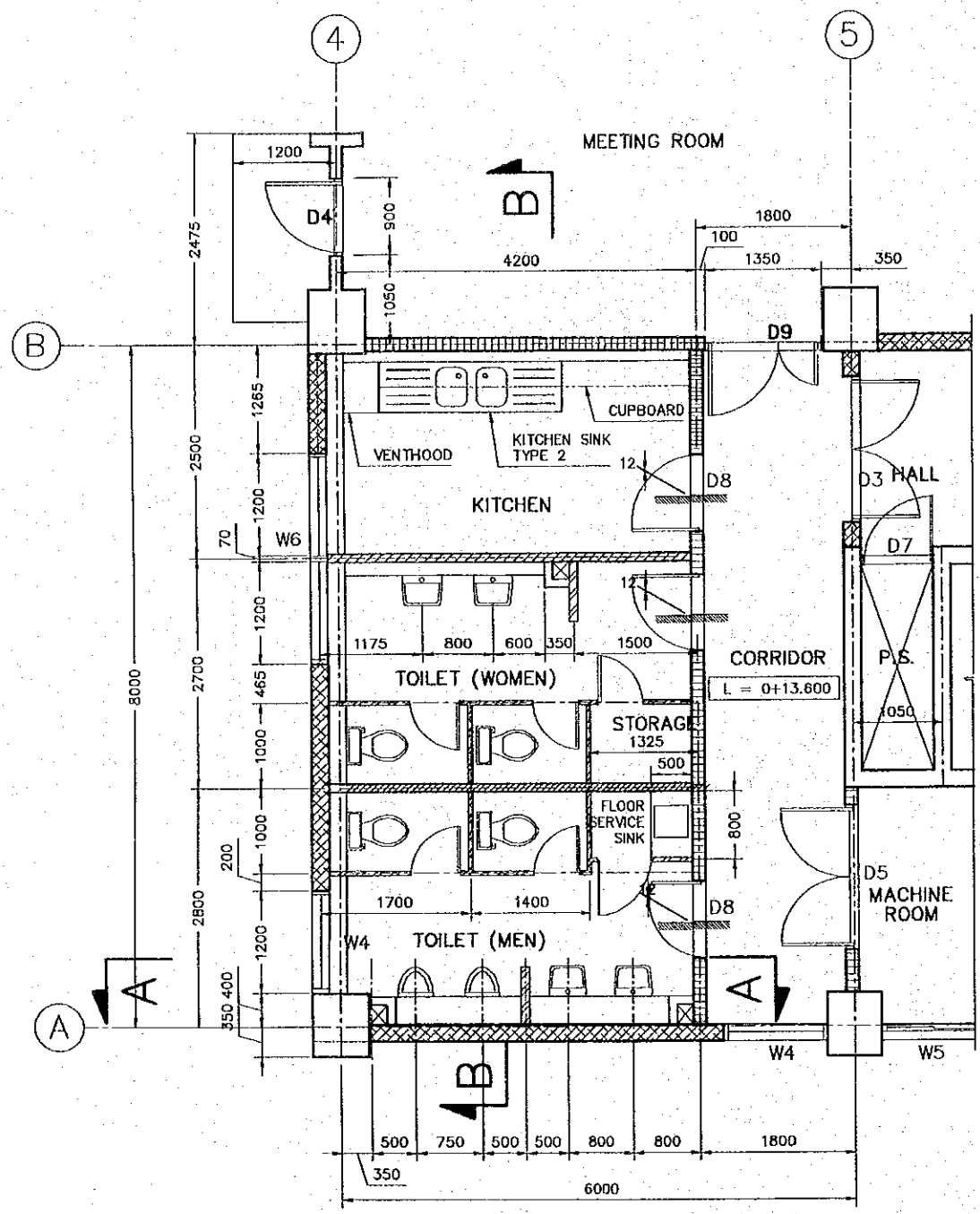
JICA JAPAN INTERNATIONAL COOPERATION AGENCY (JICA)
CEPA COMISION EJECUTIVA PORTUARIA AUTONOMA (CEPA)

THE DETAILED DESIGN ON PORT REACTIVATION PROJECT IN LA UNION PROVINCE OF THE REPUBLIC OF EL SALVADOR
NK NIPPON KOEI CO., LTD.

DESIGNED BY :
CHECKED BY :
APPROVED BY :

SECTION : BUILDING WORK
SUB-SECTION : PORT ADMINISTRATION BUILDING
TITLE : TOILET DETAIL - 03

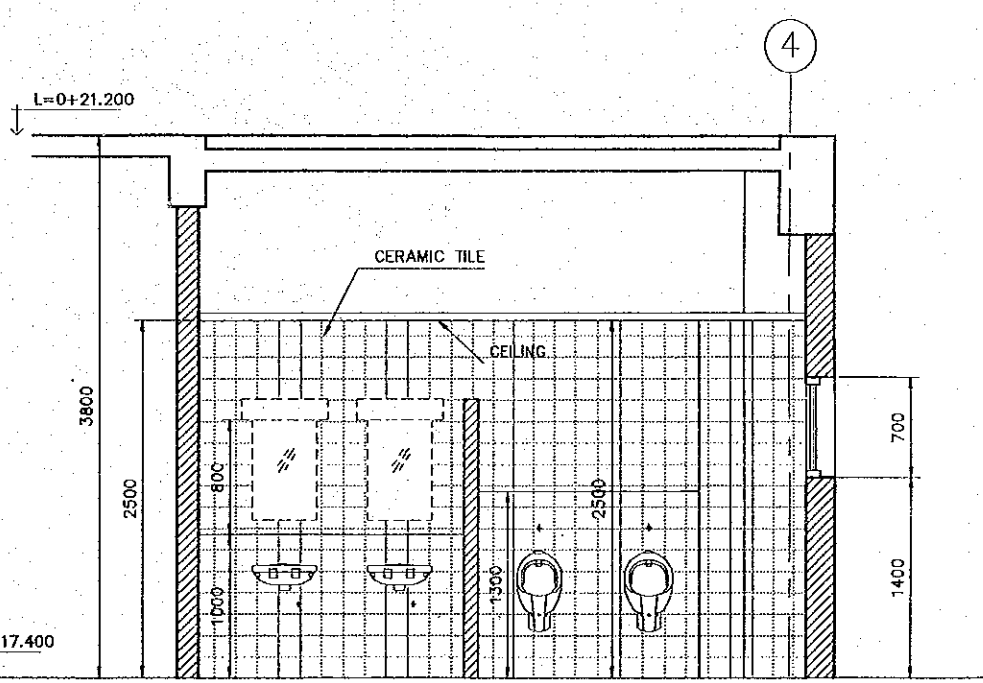
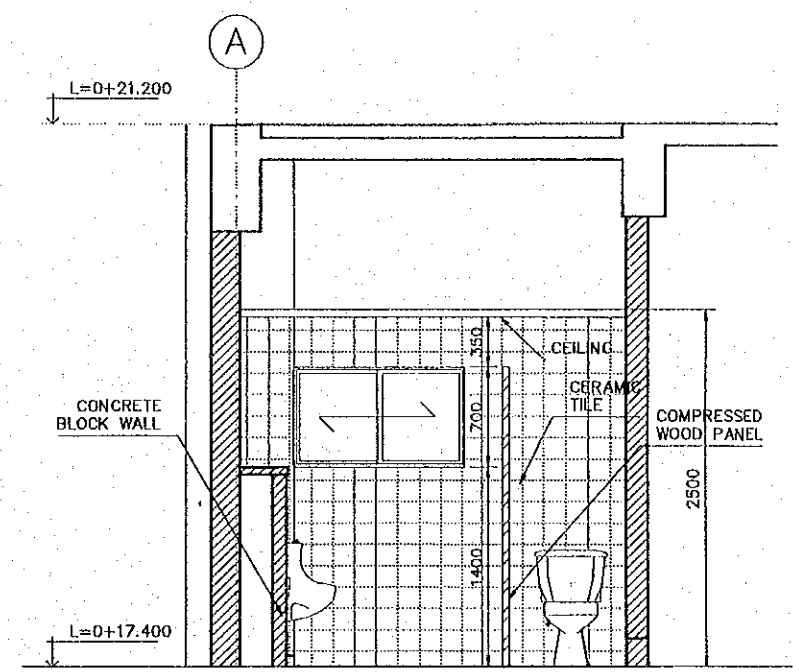
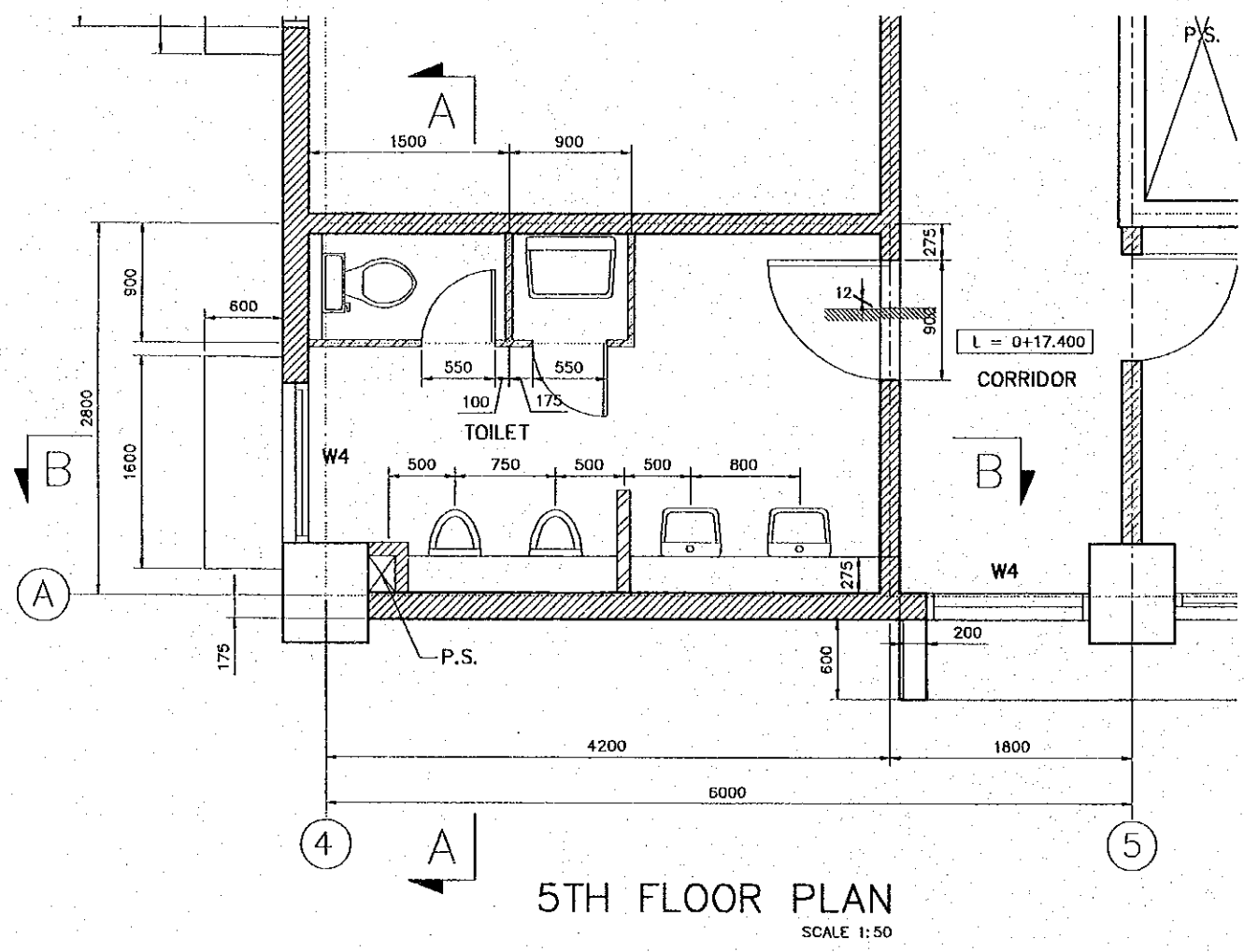
DATE : OCTOBER/2002
SCALE : 1 : 50
DRAWING NO. : BD-01-030



LEGENDS

- RC WALL t=200
- CONCRETE BLOCK WALL t=200
- CONCRETE BLOCK WALL t=150
- CONCRETE BLOCK WALL t=100
- TOILET PARTITION

REV. NO.	DATE	COORDINATE	BY	APPROVED	DATE	JAPAN INTERNATIONAL COOPERATION AGENCY (JICA) COMISION EJECUTIVA PORTUARIA AUTONOMA (CEPA)	THE DETAILED DESIGN ON PORT REACTIVATION PROJECT IN LA UNION PROVINCE OF THE REPUBLIC OF EL SALVADOR NIPPON KOEI CO., LTD.	DESIGNED BY :	SECTION : BUILDING WORK	DATE : OCTOBER/2002
								CHECKED BY :	SUB-SECTION : PORT ADMINISTRATION BUILDING	SCALE : 1 : 75
								APPROVED BY :	TITLE : TOILET DETAILS - 04	DRAWING NO. : BD-01-031



LEGENDS

	RC WALL t=200
	CONCRETE BLOCK WALL t=200
	CONCRETE BLOCK WALL t=150
	CONCRETE BLOCK WALL t=100
	TOILET PARTITION

REV. NO.	DATE	COORDINATE	BY	APPROVED	DATE

JICA
JAPAN INTERNATIONAL COOPERATION AGENCY (JICA)

Gpa
COMISION EJECUTIVA PORTUARIA AUTONOMA (CEPA)

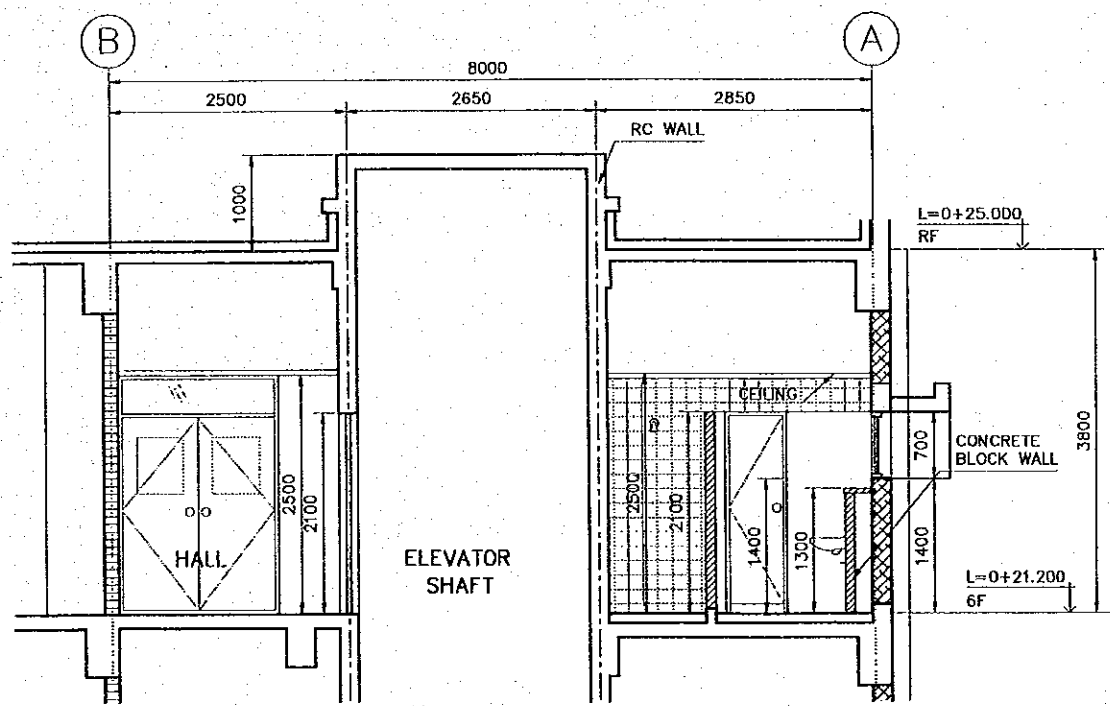
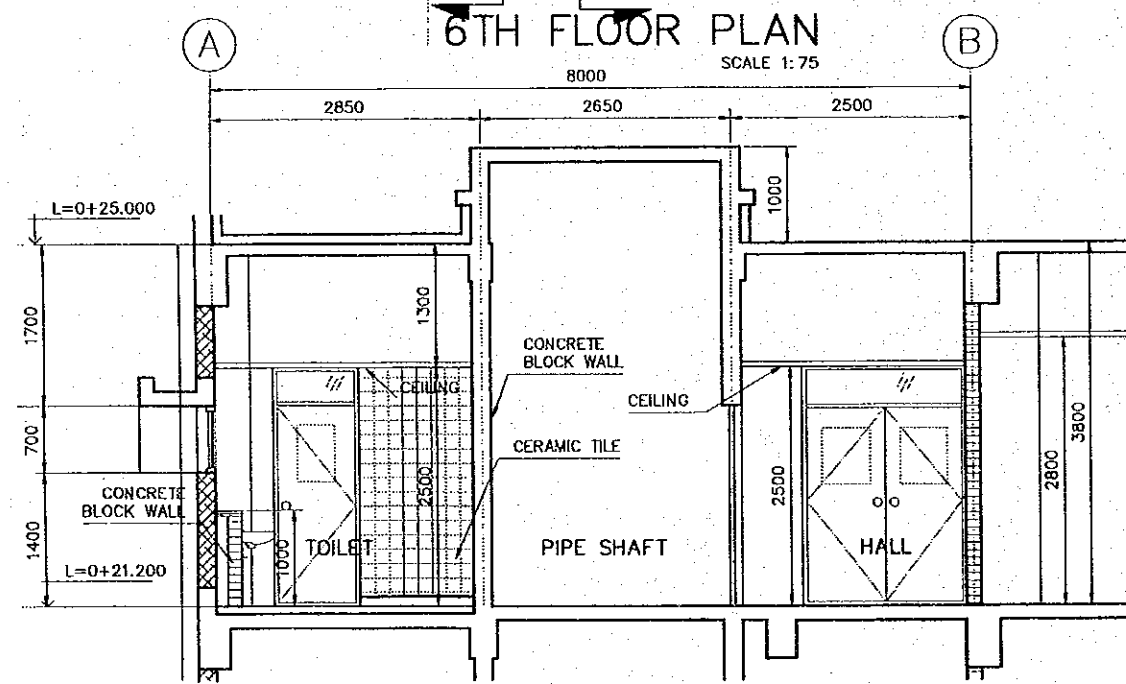
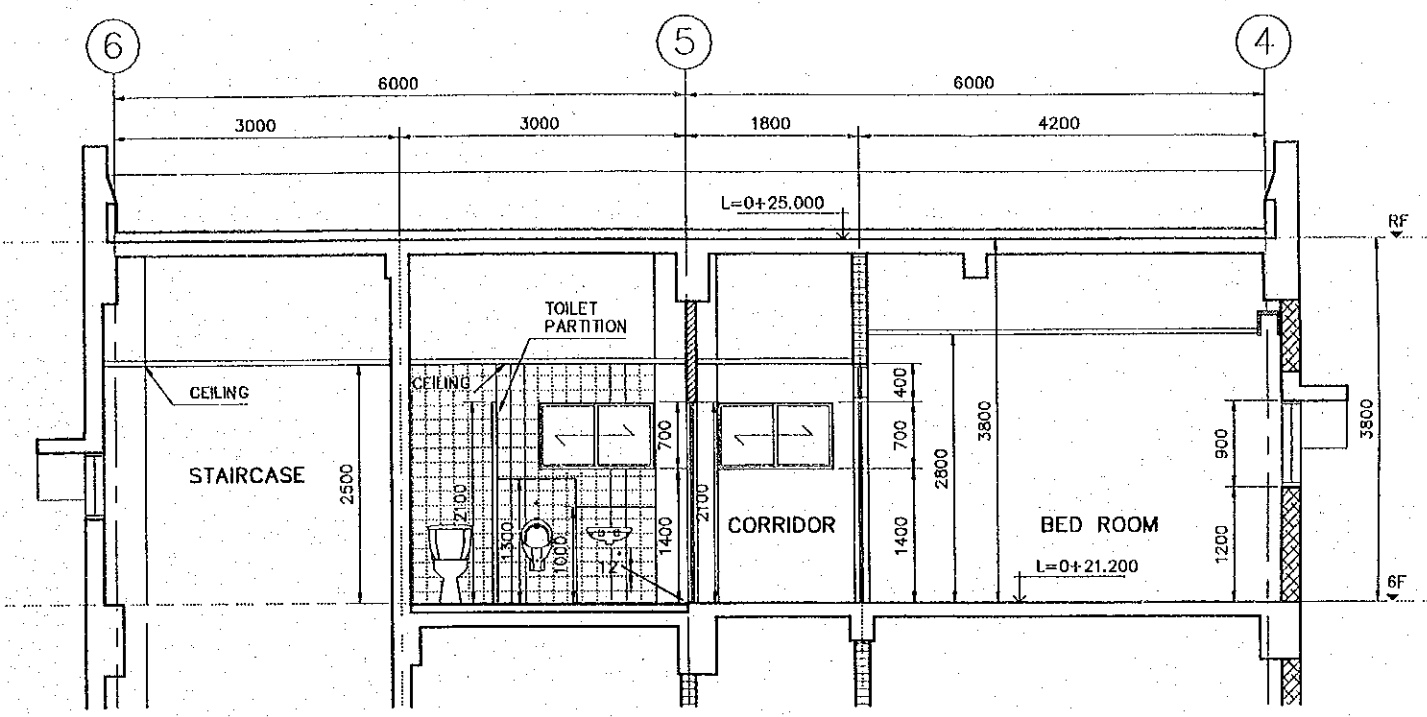
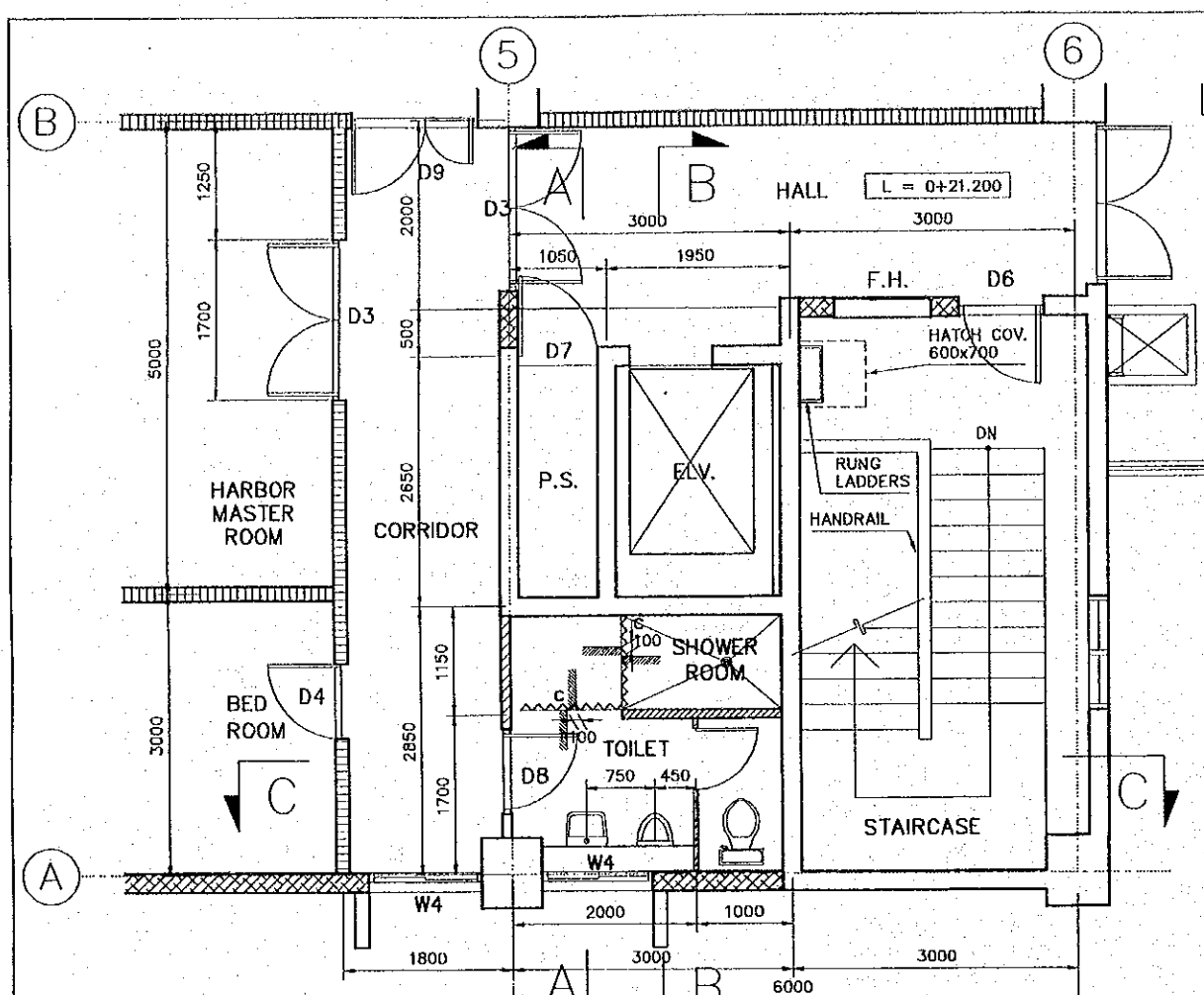
THE DETAILED DESIGN ON PORT REACTIVATION PROJECT IN LA UNION PROVINCE OF THE REPUBLIC OF EL SALVADOR

NIPON KOEI CO., LTD.

DESIGNED BY :
 CHECKED BY :
 APPROVED BY :

SECTION : **BUILDING WORK**
 SUB-SECTION : **PORT ADMINISTRATION BUILDING**
 TITLE : **TOILET DETAIL - 05**

DATE : **OCTOBER/2002**
 SCALE : **1 : 50**
 DRAWING NO. : **BD-01-032**



LEGENDS

- RC WALL t=200
- CONCRETE BLOCK WALL t=200
- CONCRETE BLOCK WALL t=150
- CONCRETE BLOCK WALL t=100
- TOILET PARTITION

REV. NO.	DATE	COORDINATE	BY	APPROVED	DATE

JICA
JAPAN INTERNATIONAL COOPERATION AGENCY (JICA)

CEPA
COMISION EJECUTIVA PORTUARIA AUTONOMA (CEPA)

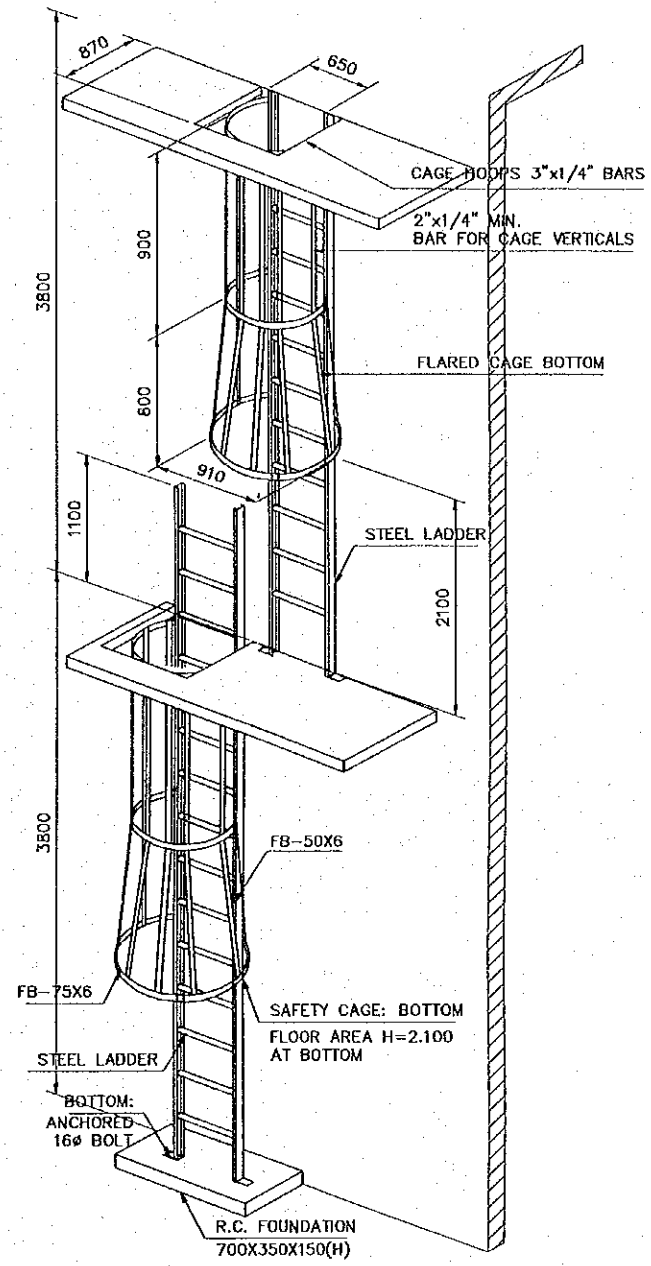
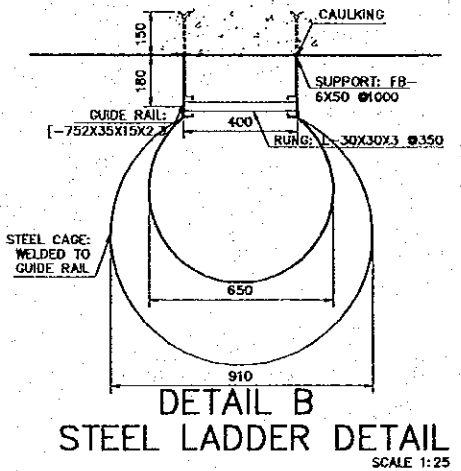
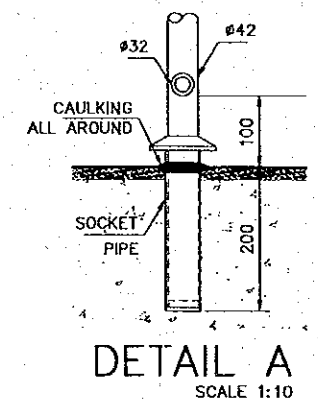
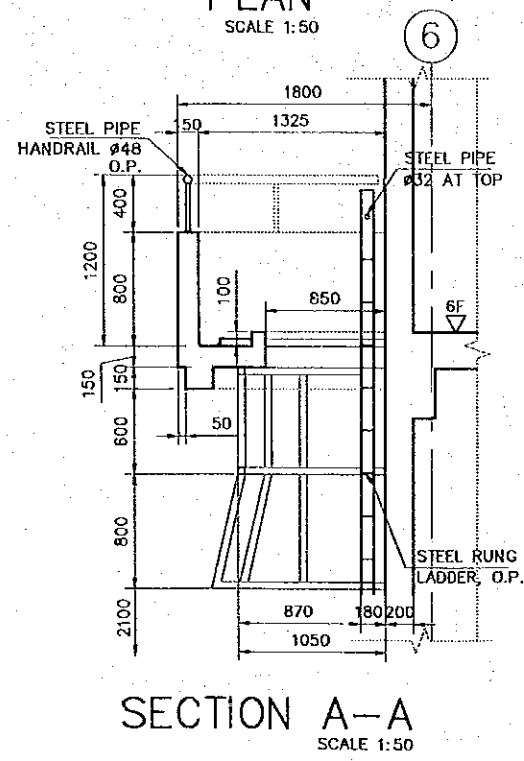
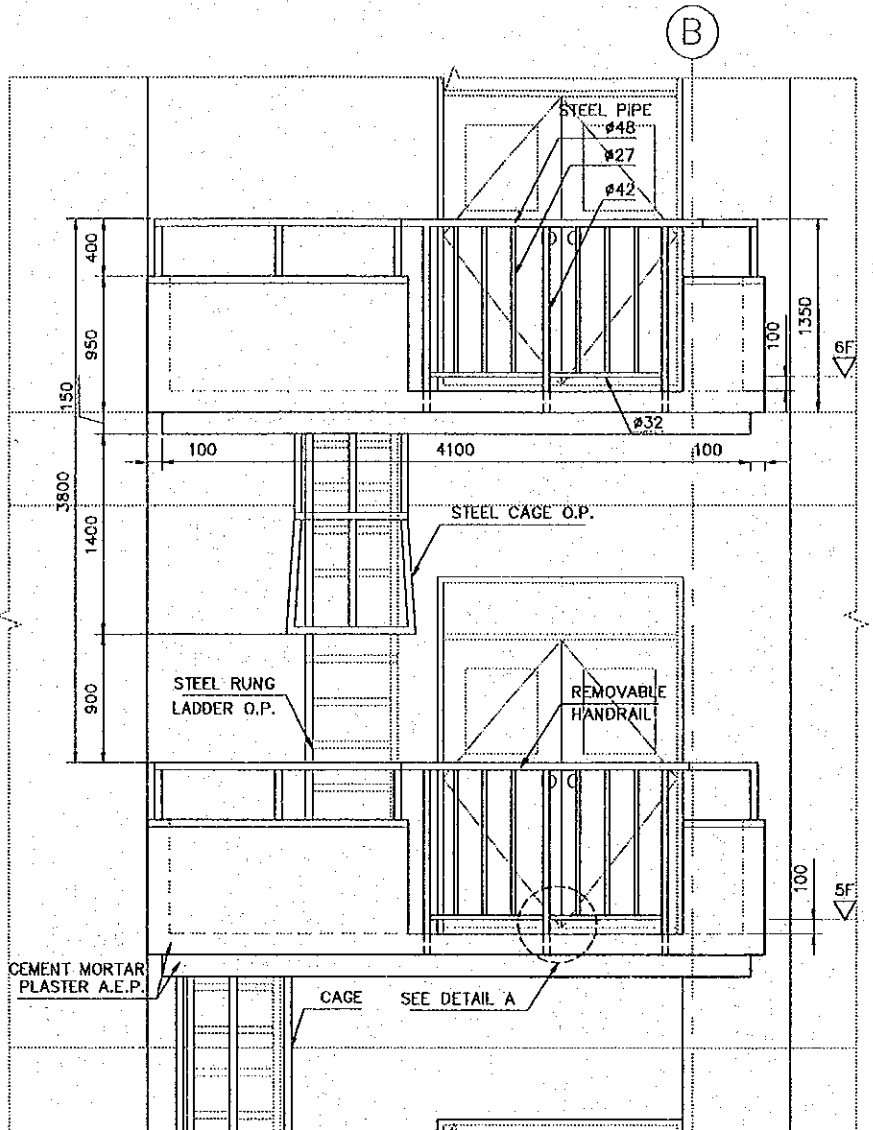
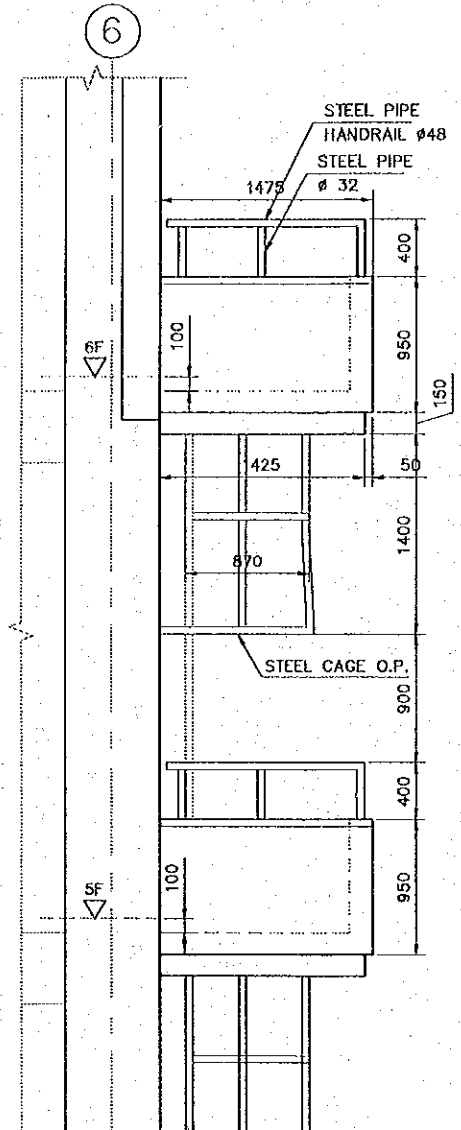
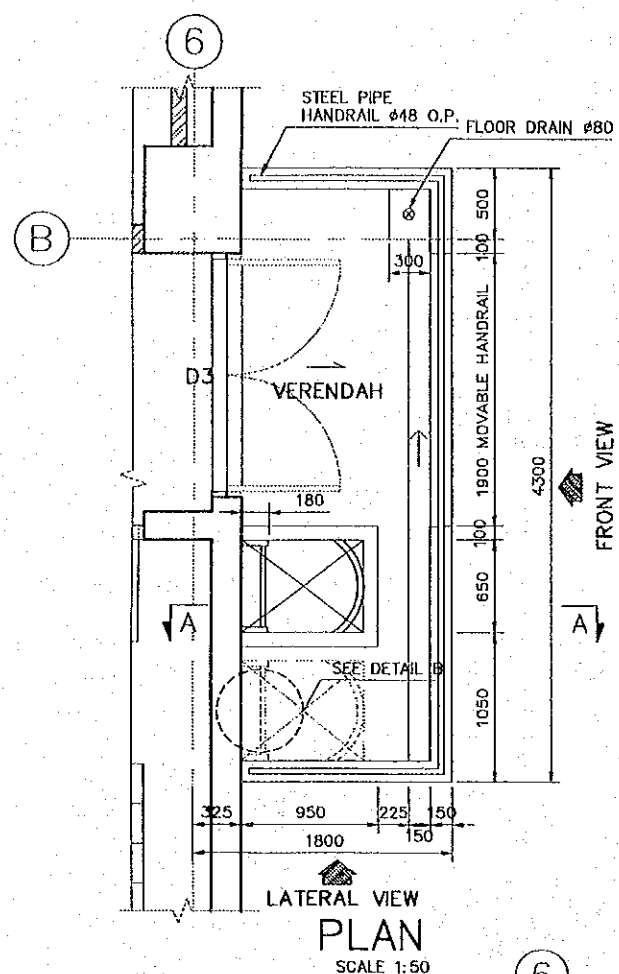
THE DETAILED DESIGN ON PORT REACTIVATION PROJECT IN LA UNION PROVINCE OF THE REPUBLIC OF EL SALVADOR

NK NIPPON KOEI CO., LTD.

DESIGNED BY:
CHECKED BY:
APPROVED BY:

SECTION : BUILDING WORK
SUB-SECTION : PORT ADMINISTRATION BUILDING
TITLE : TOILET DETAIL - 06

DATE : OCTOBER/2002
SCALE : 1 : 75
DRAWING NO. : BD-01-033



NOTE:
ALL STEEL SHALL BE HOT-DIP GALVANIZED AND PAINTED

REV. NO.	DATE	COORDINATE	BY	APPROVED	DATE

JICA
JAPAN INTERNATIONAL
COOPERATION AGENCY
(JICA)

Cepa
COMISION EJECUTIVA
PORTUARIA AUTONOMA
(CEPA)

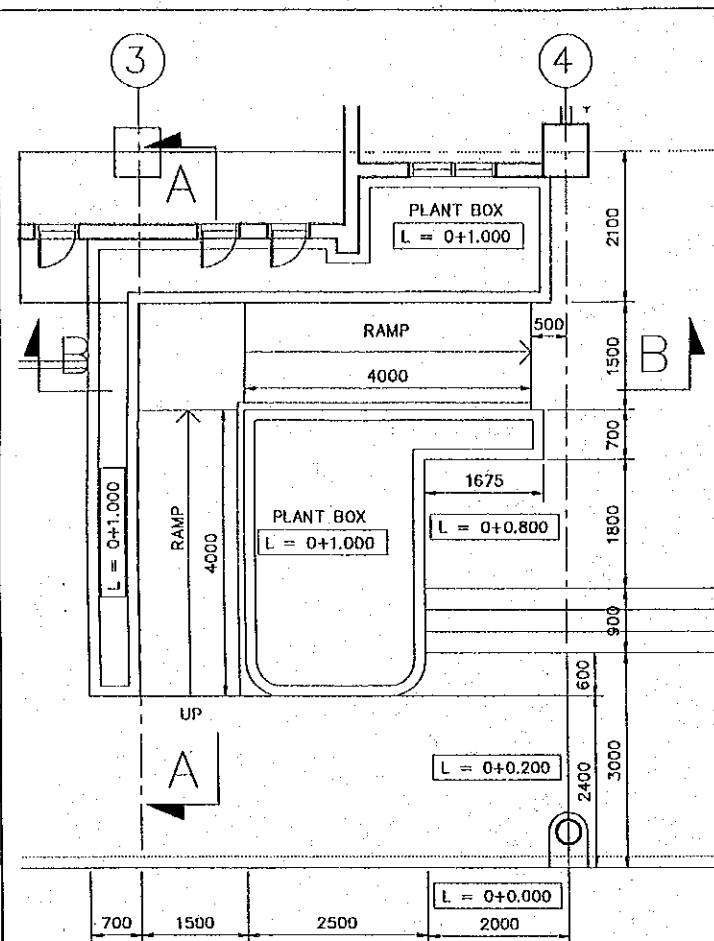
THE DETAILED DESIGN
ON PORT REACTIVATION PROJECT
IN LA UNION PROVINCE
OF THE REPUBLIC OF EL SALVADOR

NK
NIPPON KOEI CO., LTD.

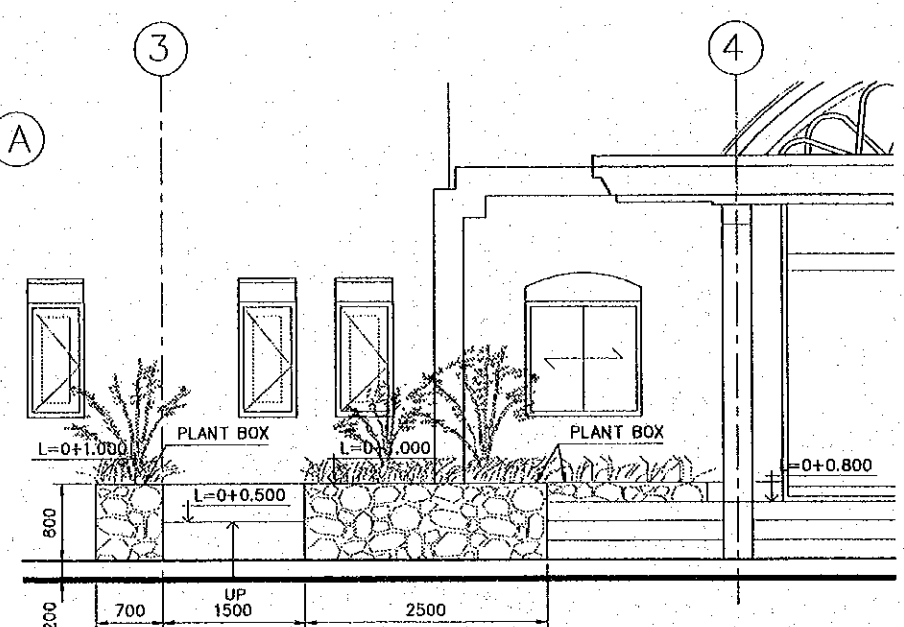
DESIGNED BY:
CHECKED BY:
APPROVED BY:

SECTION : BUILDING WORK
SUB-SECTION : PORT ADMINISTRATION BUILDING
TITLE : STAIR DETAIL - 03

DATE : OCTOBER/2002
SCALE : 1 : 50
DRAWING NO : BD-01-036

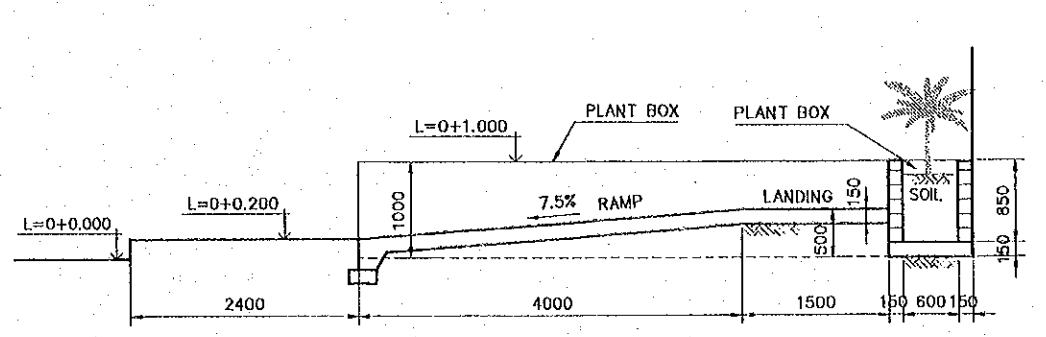


FRONT VIEW
DISABLED RAMP PLAN
SCALE 1:100

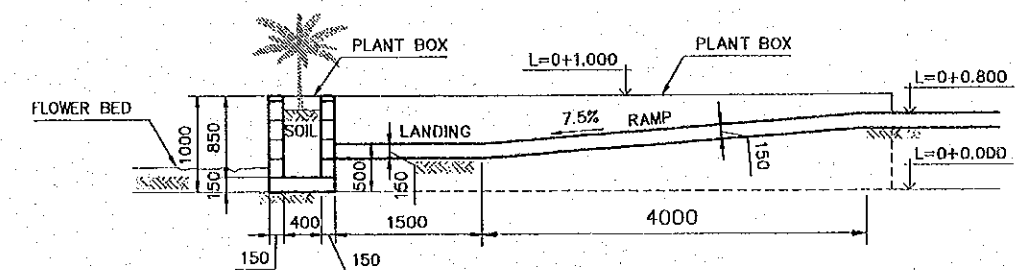


FRONT VIEW
SOUTHWEST ELEVATION SCALE 1:75

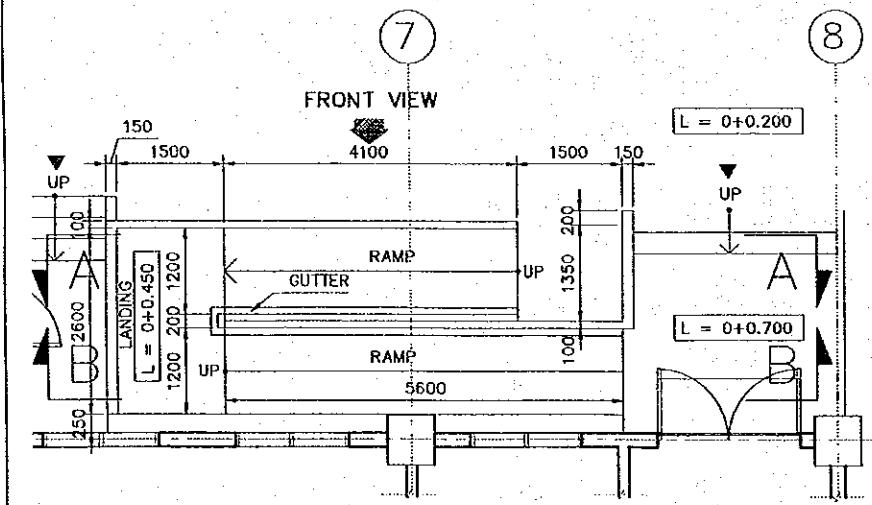
- NOTES:
1. THE CONCRETE SLAB OF PLUMP SHALL BE FINISH WITH BROOM
 2. CONCRETE WALLS SHALL BE FINISHED WITH CEMENT MORTAR T=15



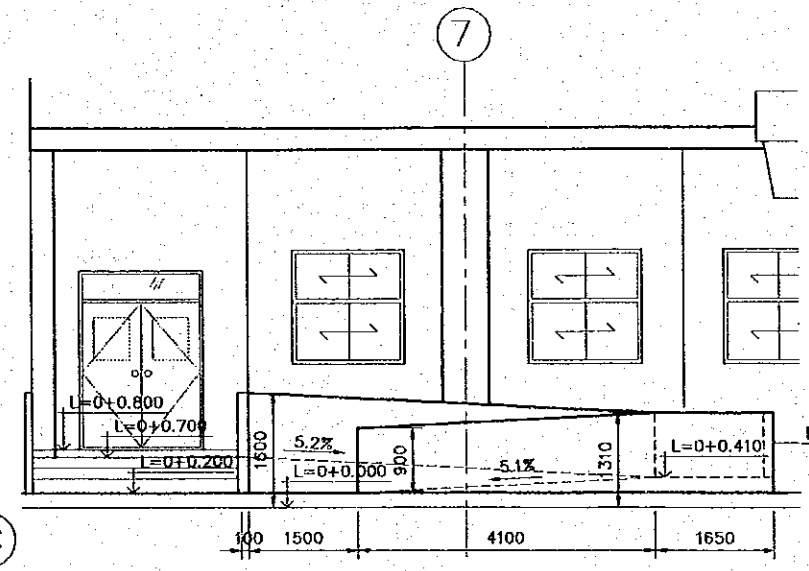
SECTION A-A
SCALE 1:75



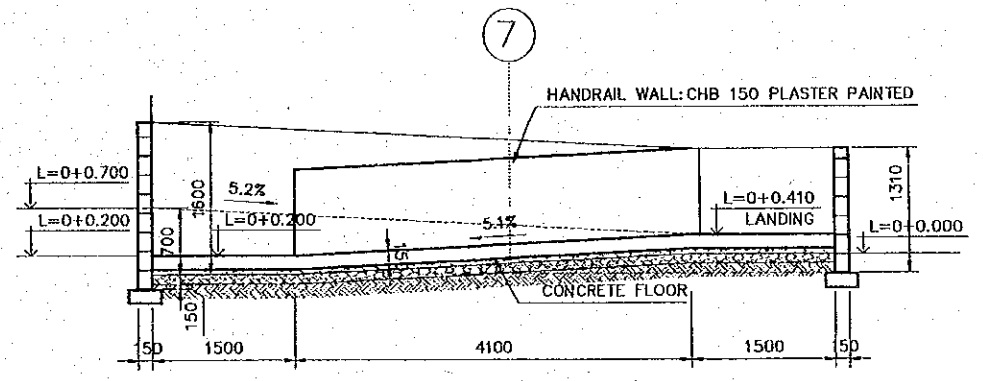
SECTION B-B
SCALE 1:75



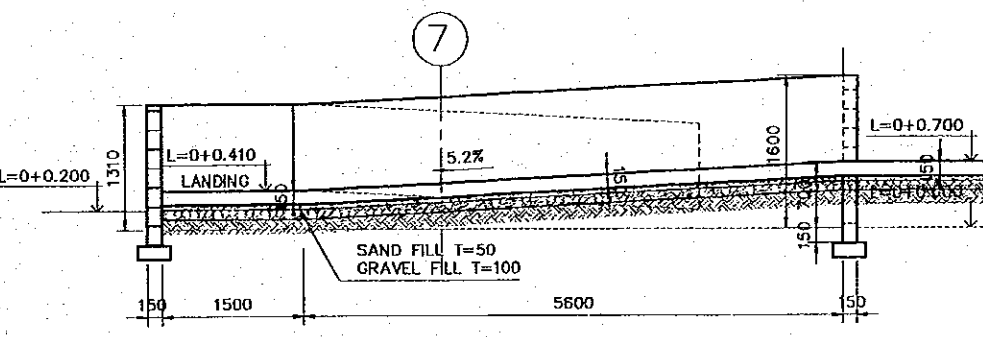
FRONT VIEW
RAMP FOR FIRST AID
NORTHEAST ELEVATION SCALE 1:100



FRONT VIEW
SCALE 1:100



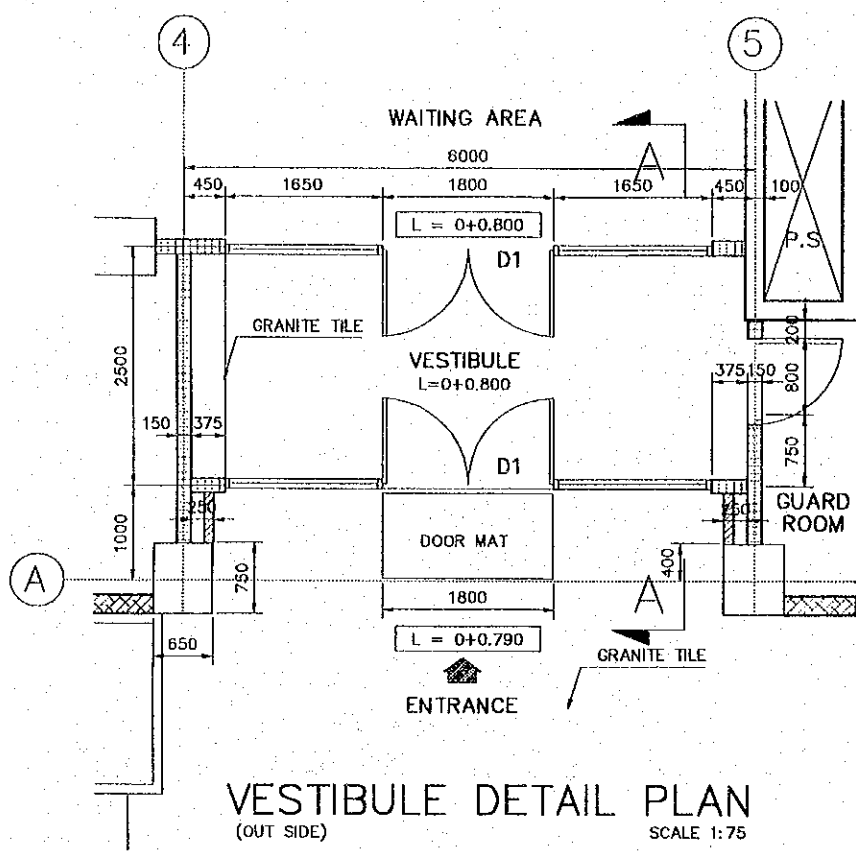
SECTION A-A
SCALE 1:75



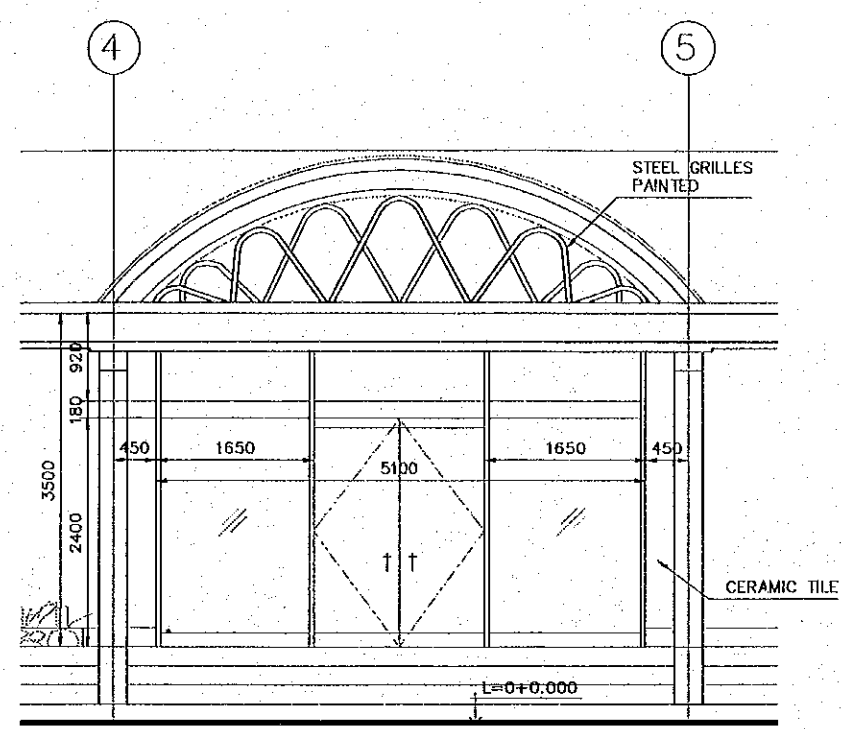
SECTION B-B
SCALE 1:75

REV. NO.	DATE	COORDINATE	BY	APPROVED	DATE

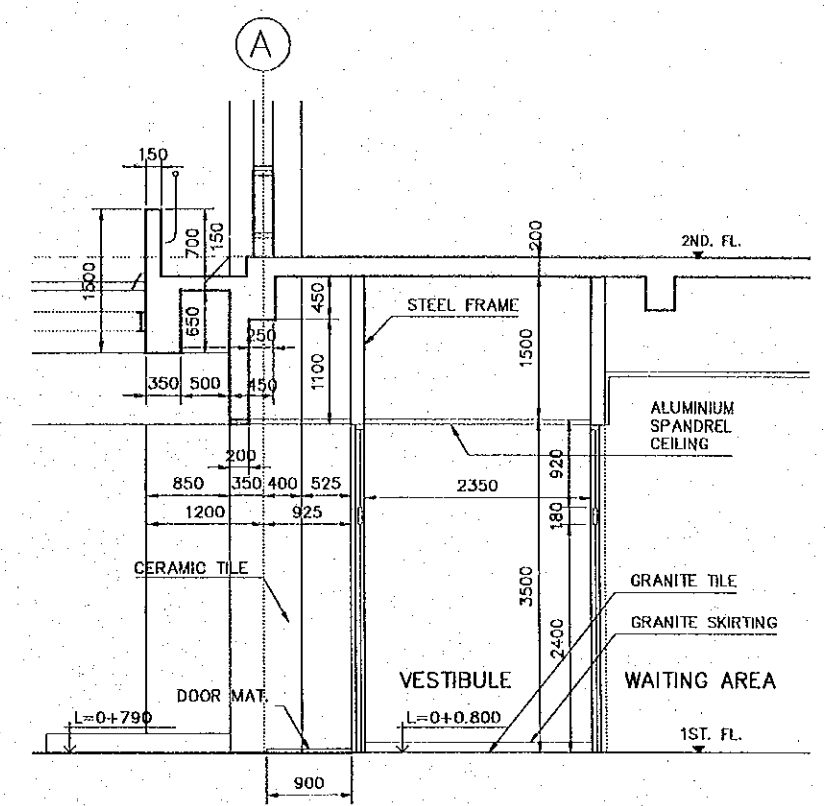
<p>JICA JAPAN INTERNATIONAL COOPERATION AGENCY (JICA)</p> <p>CEPA COMISION EJECUTIVA PORTUARIA AUTONOMA (CEPA)</p>	<p>THE DETAILED DESIGN ON PORT REACTIVATION PROJECT IN LA UNION PROVINCE OF THE REPUBLIC OF EL SALVADOR</p> <p> NIPPON KOEI CO., LTD.</p>	DESIGNED BY :	SECTION : BUILDING WORK	DATE : OCTOBER/2002
		CHECKED BY :	SUB-SECTION : PORT ADMINISTRATION BUILDING	SCALE : INDICATED
		APPROVED BY :	TITLE : RAMP DETAILS	DRAWING NO. : BD-01-037



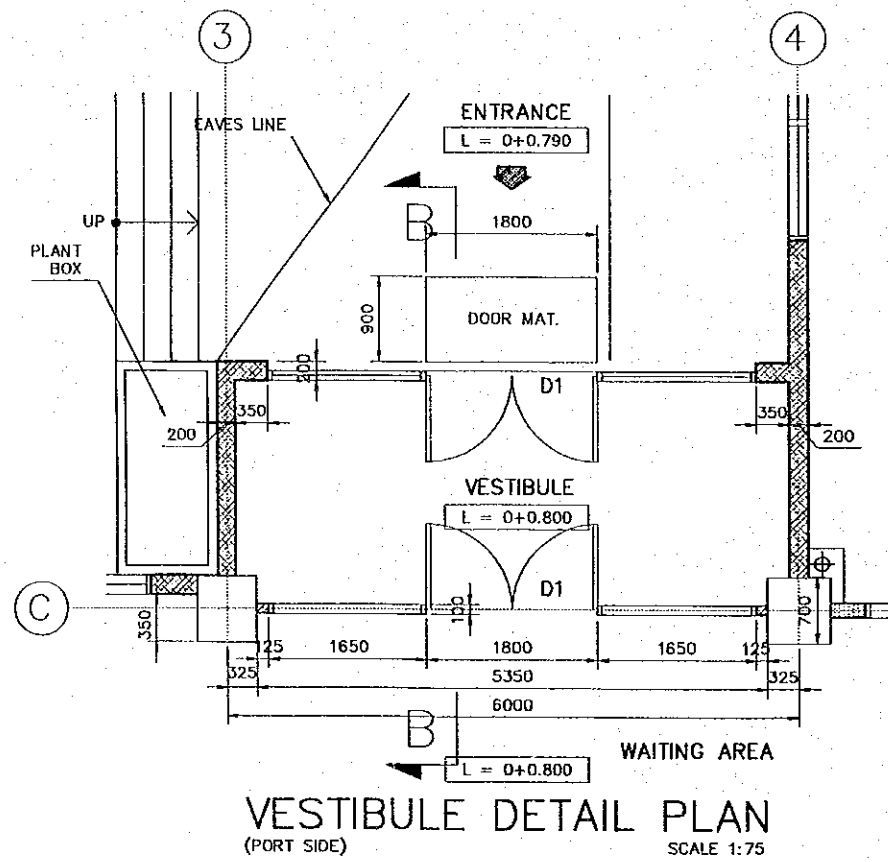
VESTIBULE DETAIL PLAN
(OUT SIDE)
SCALE 1:75



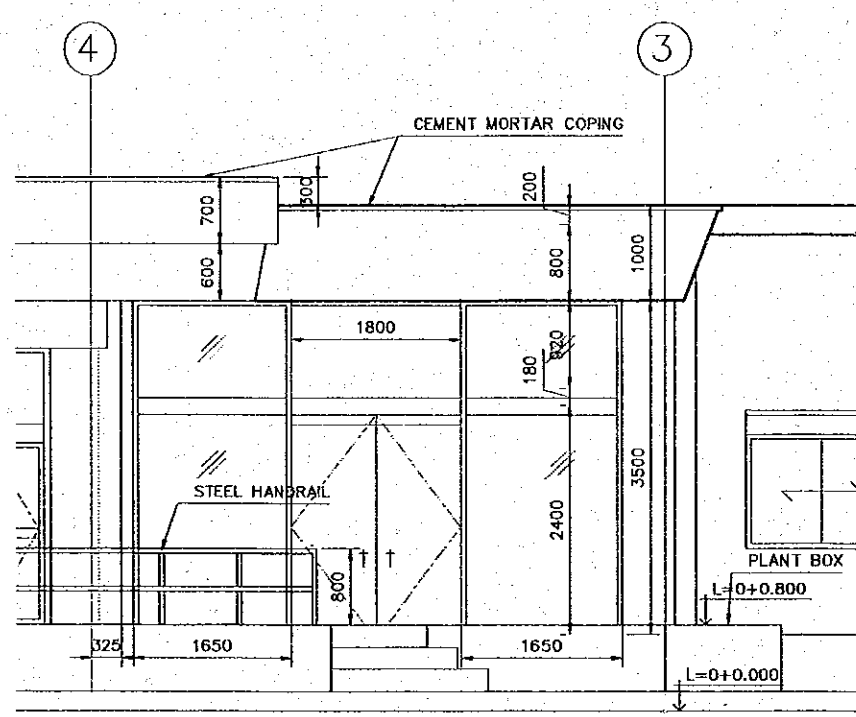
ENTRANCE DETAIL ELEVATION
OUTSIDE ELEVATION
SCALE 1:75



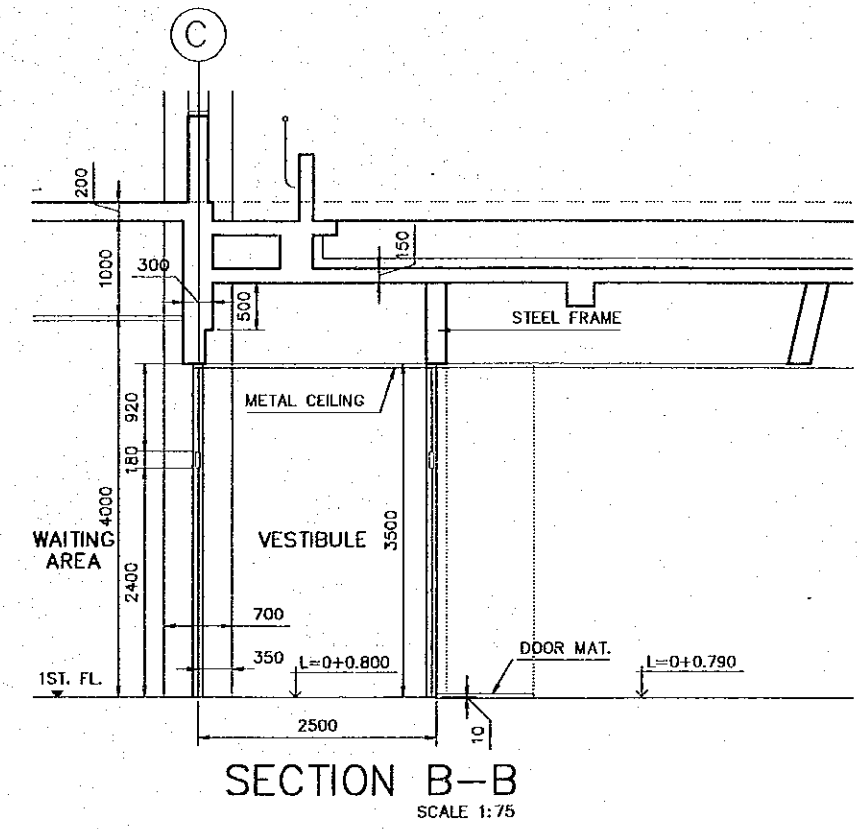
SECTION A-A
SCALE 1:75



VESTIBULE DETAIL PLAN
(PORT SIDE)
SCALE 1:75



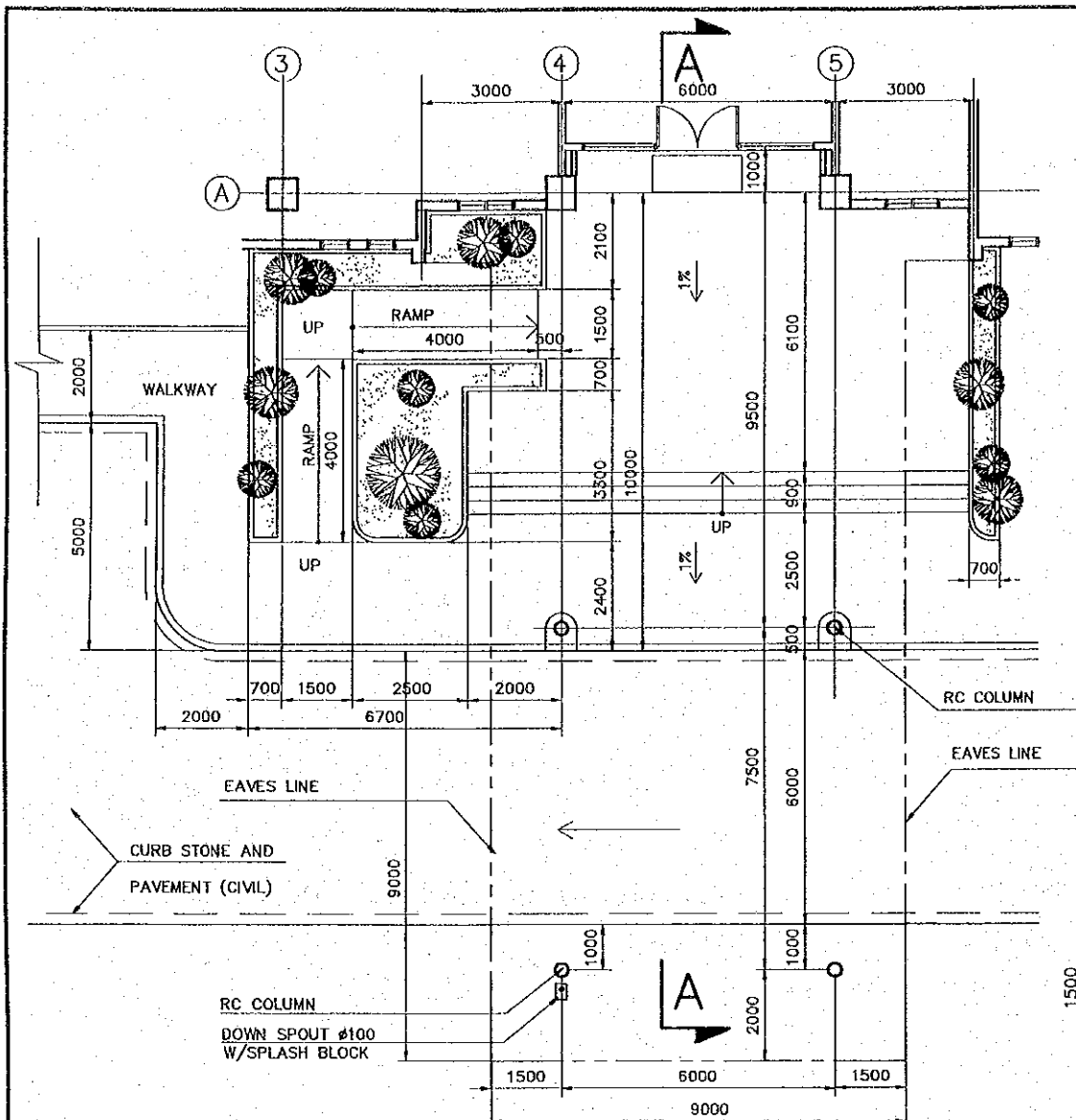
ENTRANCE DETAIL ELEVATION
PORT SIDE ELEVATION
SCALE 1:75



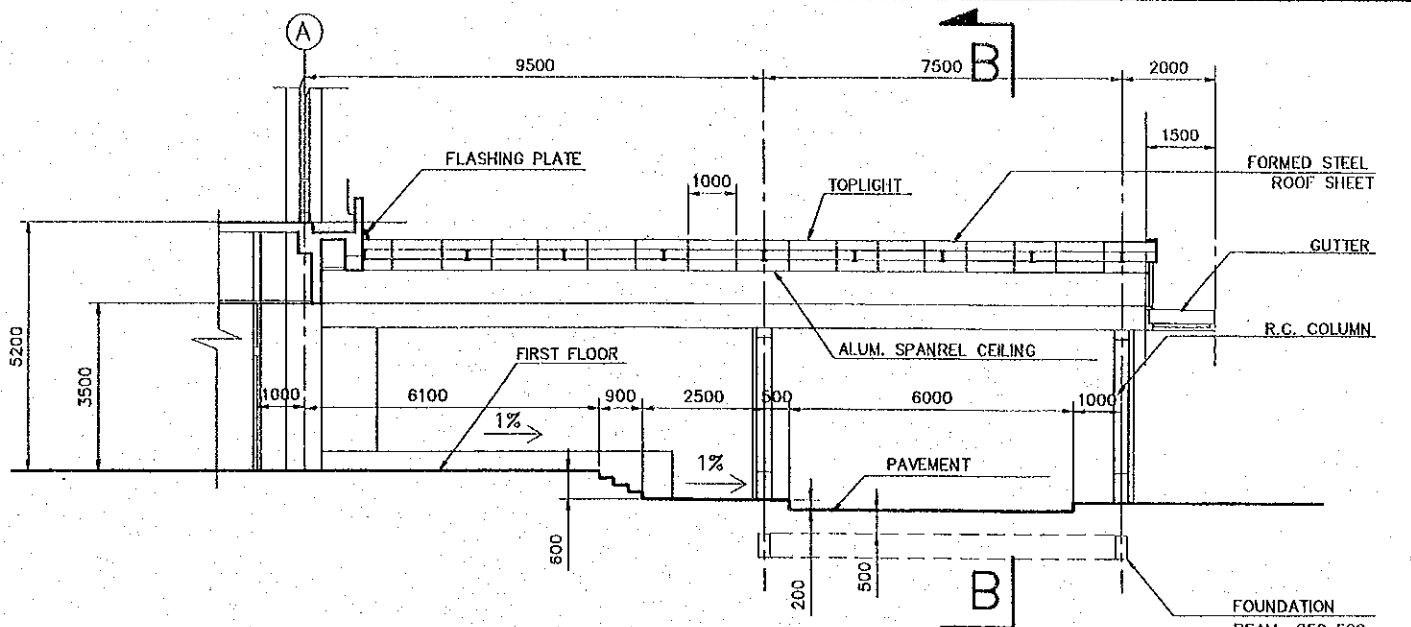
SECTION B-B
SCALE 1:75

REV. NO.	DATE	COORDINATE	BY	APPROVED	DATE

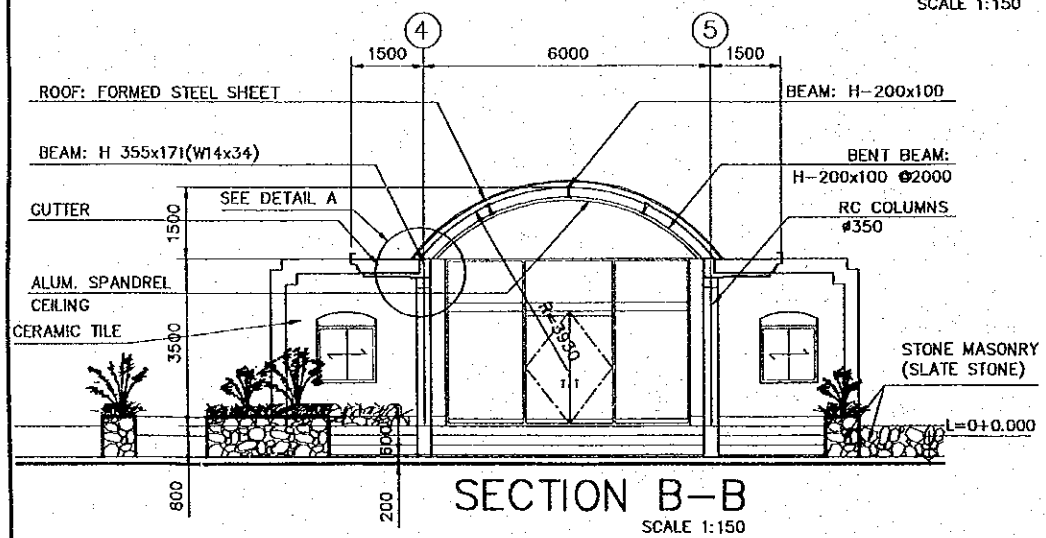
<p>JICA JAPAN INTERNATIONAL COOPERATION AGENCY (JICA)</p> <p>CEPA COMISION EJECUTIVA PORTUARIA AUTONOMA (CEPA)</p>	<p>THE DETAILED DESIGN ON PORT REACTIVATION PROJECT IN LA UNION PROVINCE OF THE REPUBLIC OF EL SALVADOR</p> <p>NIPPON KOEI CO., LTD.</p>	DESIGNED BY :	SECTION : BUILDING WORK	DATE : OCTOBER/2002
		CHECKED BY :	SUB-SECTION : PORT ADMINISTRATION BUILDING	SCALE : 1 : 75
		APPROVED BY :	TITLE : MISCELLANEOUS DETAILS-01	DRAWING NO : BD-01-03B



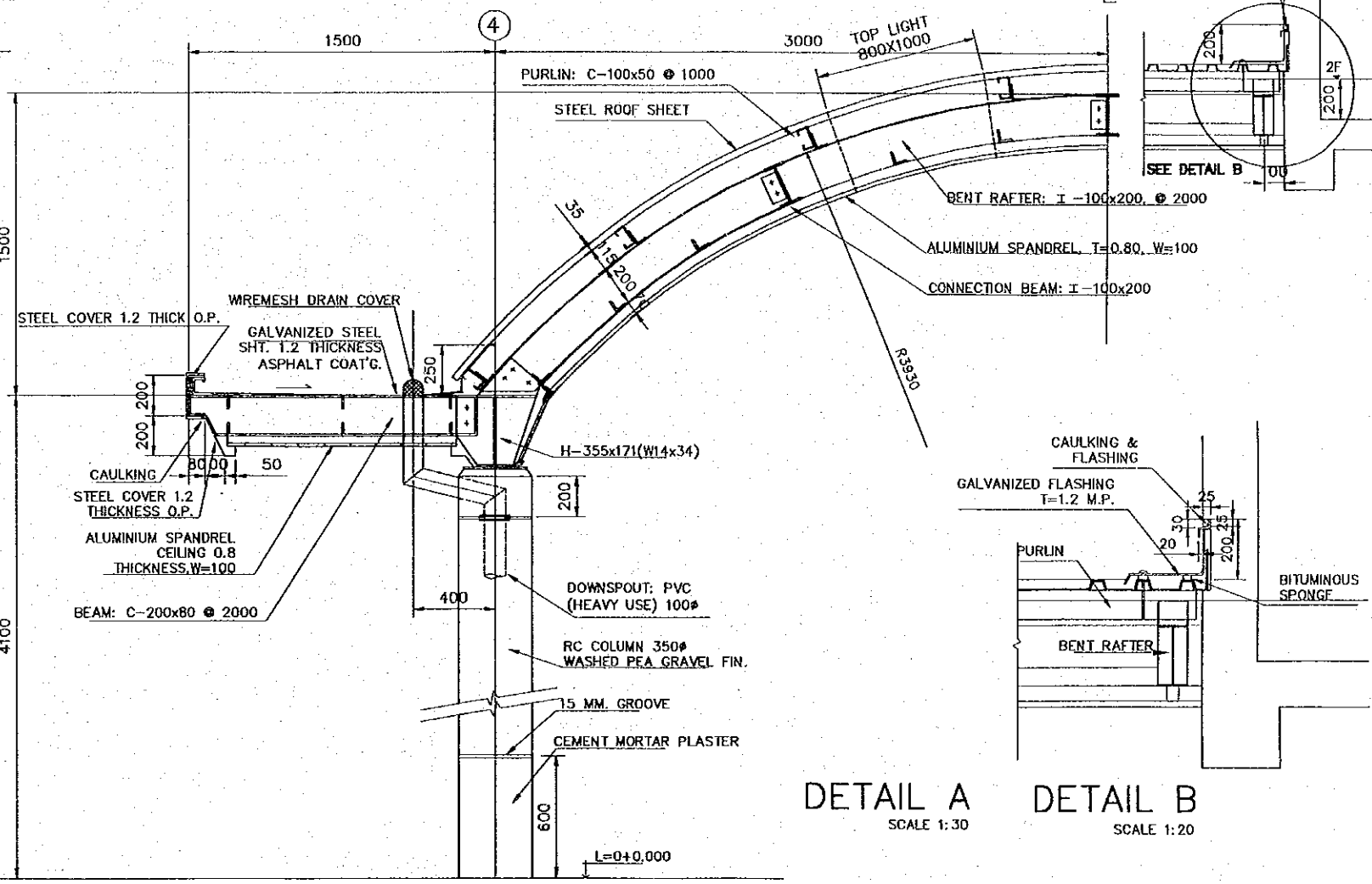
FLOOR PLAN OF ENTRANCE CANOPY
SCALE 1:150



SECTION A-A
SCALE 1:150



SECTION B-B
SCALE 1:150



DETAIL A
SCALE 1:30

DETAIL B
SCALE 1:20

REV. NO.	DATE	COORDINATE	BY	APPROVED	DATE

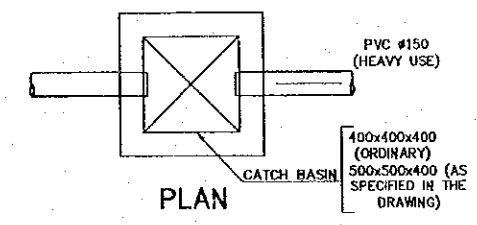
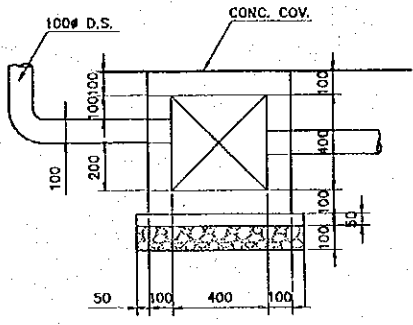
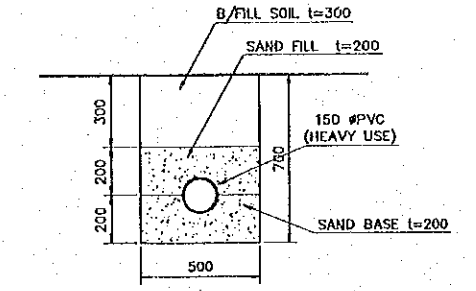
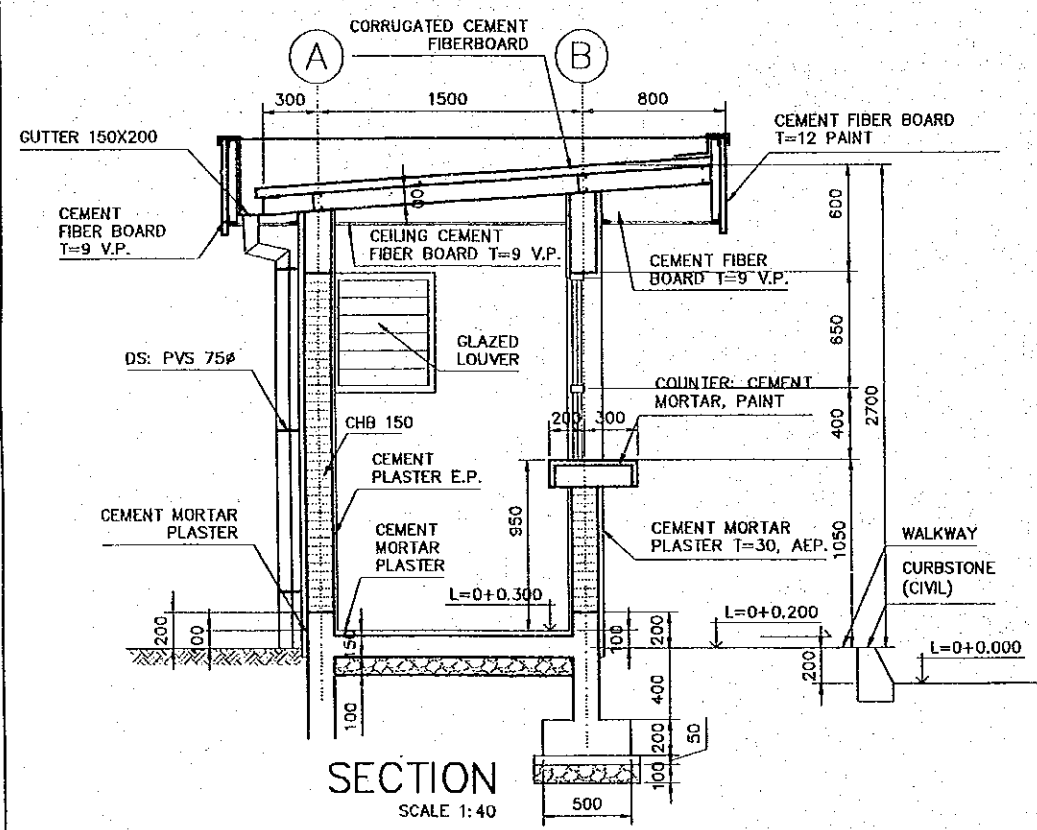
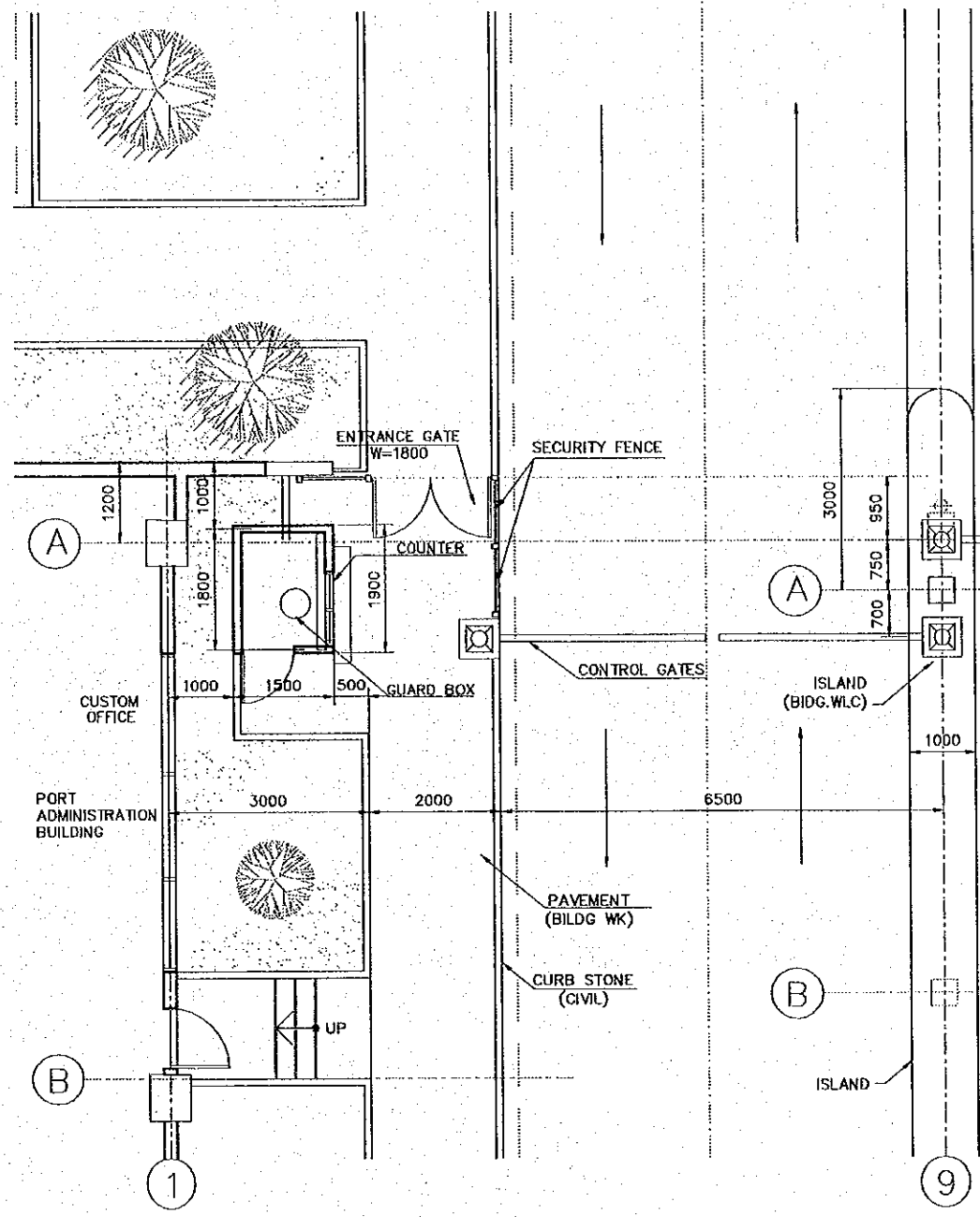
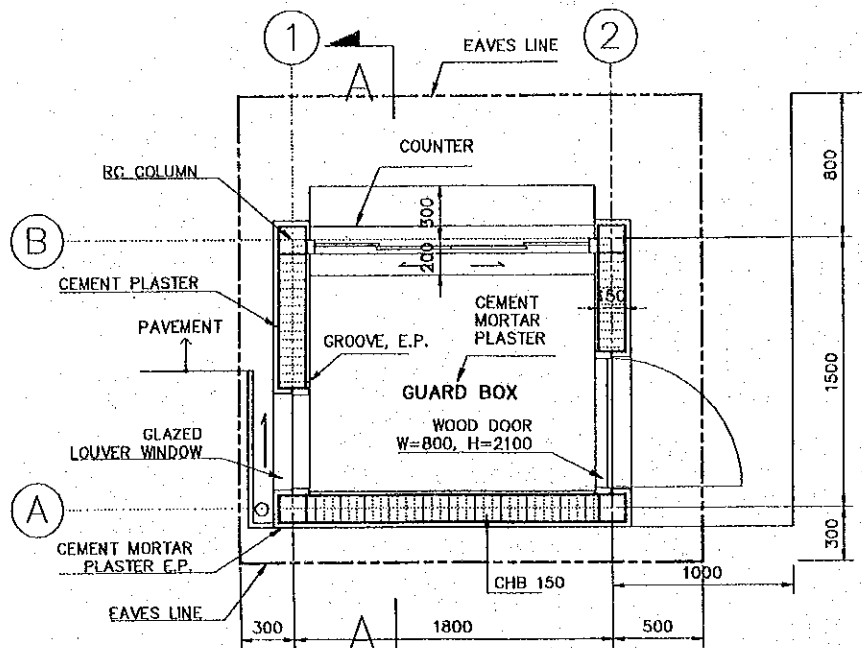
JICA
JAPAN INTERNATIONAL COOPERATION AGENCY (JICA)
CEPA
COMISION EJECUTIVA PORTUARIA AUTONOMA (CEPA)

THE DETAILED DESIGN ON PORT REACTIVATION PROJECT IN LA UNION PROVINCE OF THE REPUBLIC OF EL SALVADOR
NIPPON KOEI CO., LTD.

DESIGNED BY:
CHECKED BY:
APPROVED BY:

SECTION : BUILDING WORK
SUB-SECTION : PORT ADMINISTRATION BUILDING
TITLE : MICELLANEOUS DETAILS-03 (ENTRANCE CANOPY DETAILS)

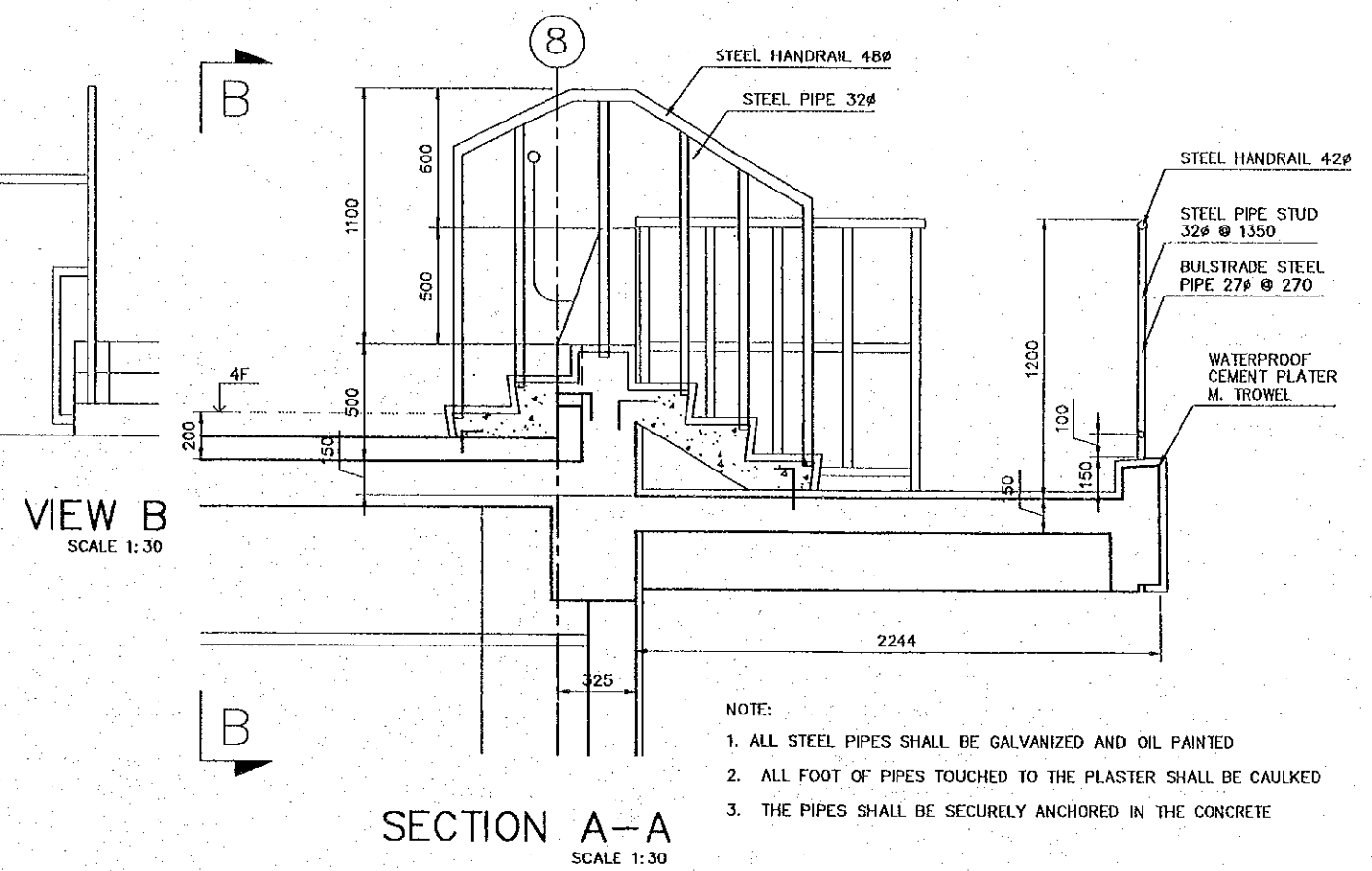
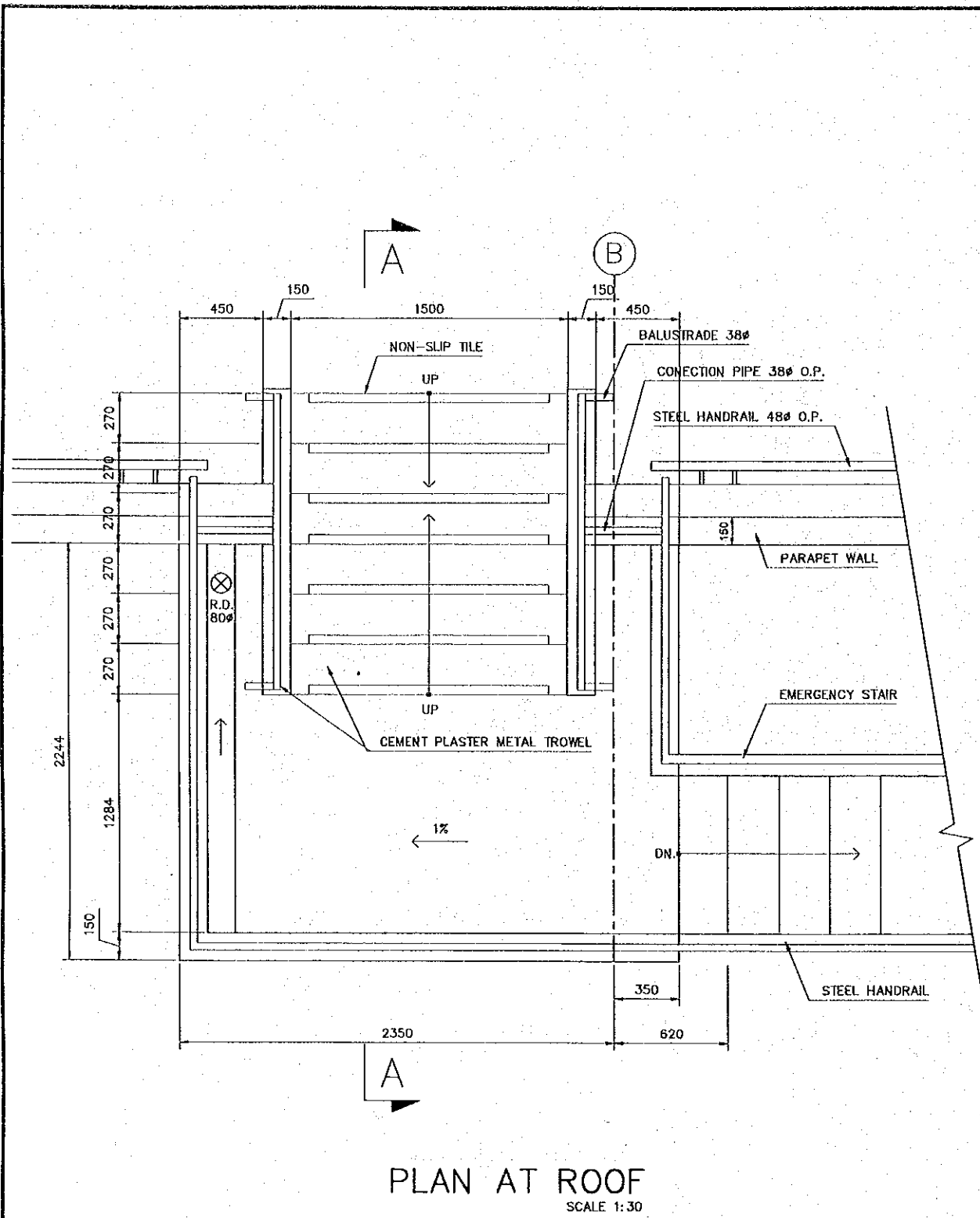
DATE : OCTOBER/2002
SCALE : 1:150
DRAWING NO: BD-01-040



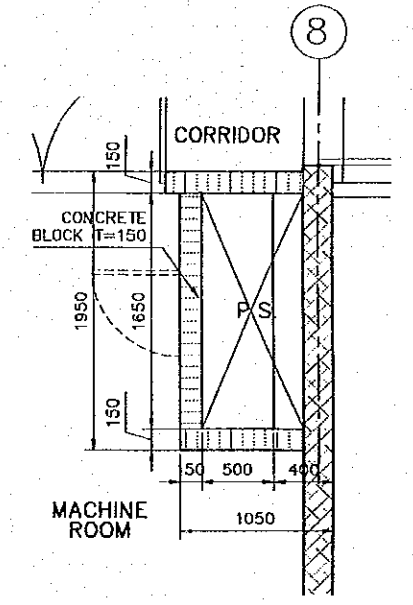
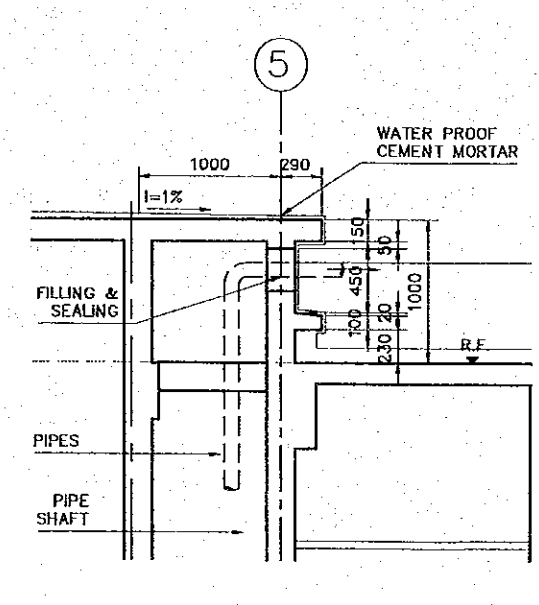
**CATCH BASIN DETAILS
STORM DRAIN SYSTEM**
SCALE 1:30

**GUARD BOX DETAILS
(TWO-BAY REQUIRED)**

REV. NO.	DATE	COORDINATE	BY	APPROVED	DATE	JICA JAPAN INTERNATIONAL COOPERATION AGENCY (JICA) CEPA COMISION EJECUTIVA PORTUARIA AUTONOMA (CEPA)	THE DETAILED DESIGN ON PORT REACTIVATION PROJECT IN LA UNION PROVINCE OF THE REPUBLIC OF EL SALVADOR NIPPON KOEI CO., LTD.	DESIGNED BY :	SECTION :	DATE :
								CHECKED BY :	SUB-SECTION :	SCALE :
								APPROVED BY :	TITLE :	DRAWING NO. :
									BUILDING WORK PORT ADMINISTRATION BUILDING MISCELLANEOUS DETAILS-04 OCTOBER/2002 INDICATED BD-01-041	



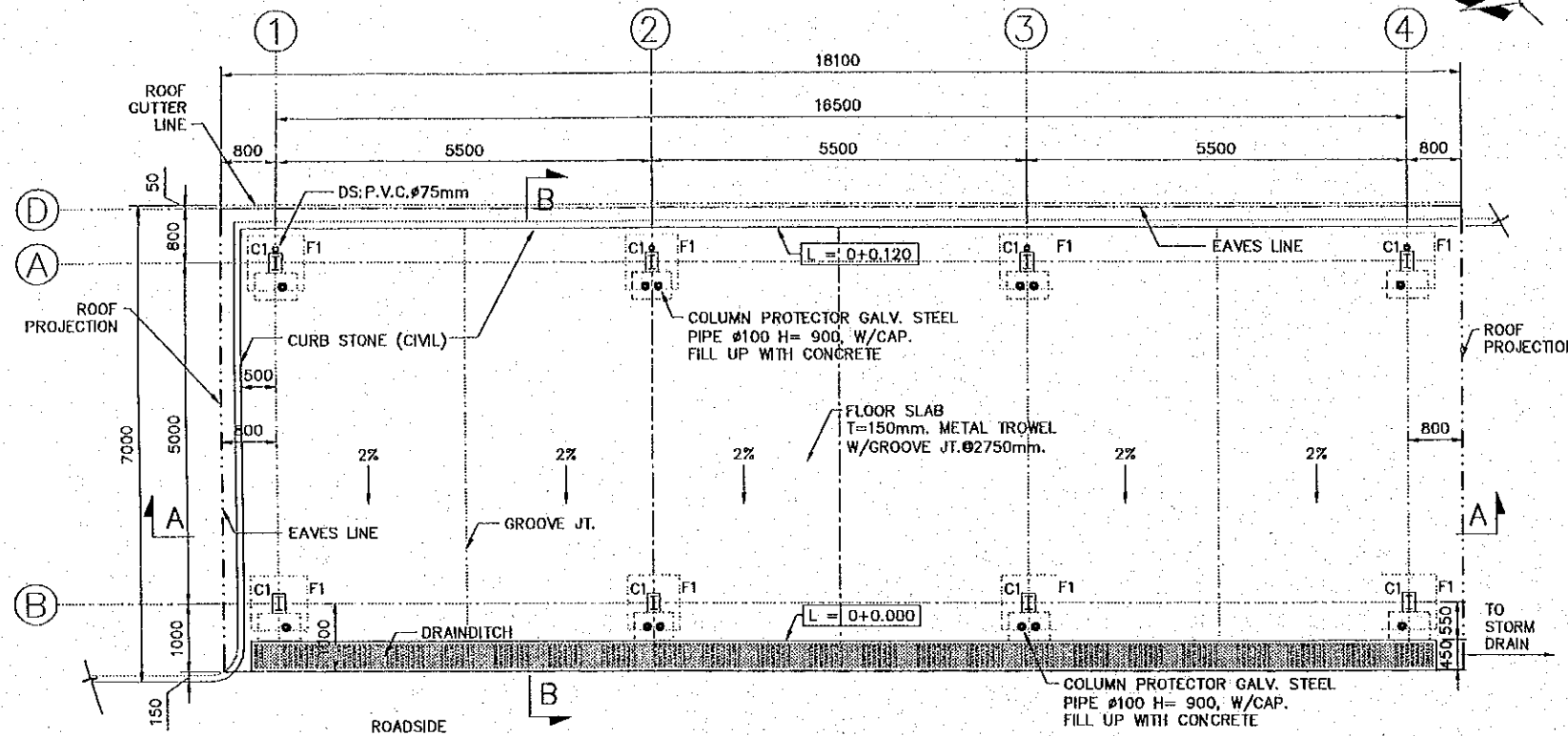
- NOTE:
1. ALL STEEL PIPES SHALL BE GALVANIZED AND OIL PAINTED
 2. ALL FOOT OF PIPES TOUCHED TO THE PLASTER SHALL BE CAULKED
 3. THE PIPES SHALL BE SECURELY ANCHORED IN THE CONCRETE



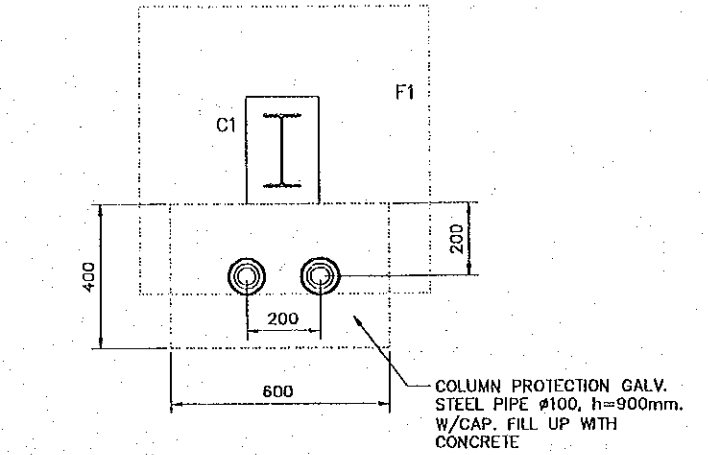
PIPE SHAFT SECTION DETAIL
(AT ROOF TOP)
SCALE 1:50

PIPE SHAFT DETAILS
(1ST., 2ND. & 3RD. FLOOR)
SCALE 1:50

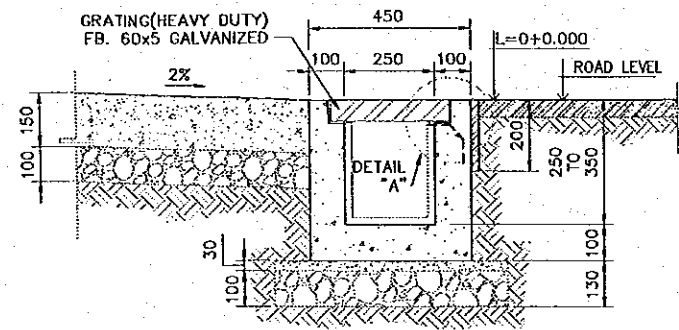
REV. NO.	DATE	COORDINATE	BY	APPROVED	DATE	JICA JAPAN INTERNATIONAL COOPERATION AGENCY (JICA)	COMISION EJECUTIVA PORTUARIA AUTONOMA (CEPA)	THE DETAILED DESIGN ON PORT REACTIVATION PROJECT IN LA UNION PROVINCE OF THE REPUBLIC OF EL SALVADOR NIPPON KOEI CO., LTD.	DESIGNED BY :	SECTION : BUILDING WORK SUB-SECTION : PORT ADMINISTRATION BUILDING TITLE : MISCELLANEOUS DETAIL-05	DATE : OCTOBER/2002
									CHECKED BY :		SCALE : INDICATED
									APPROVED BY :		DRAWING NO. : BD-01-042



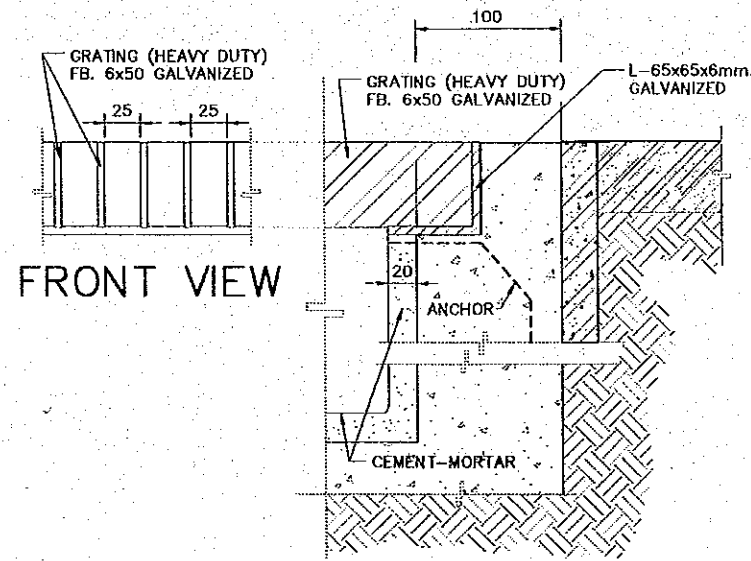
FLOOR PLAN
SCALE 1:100



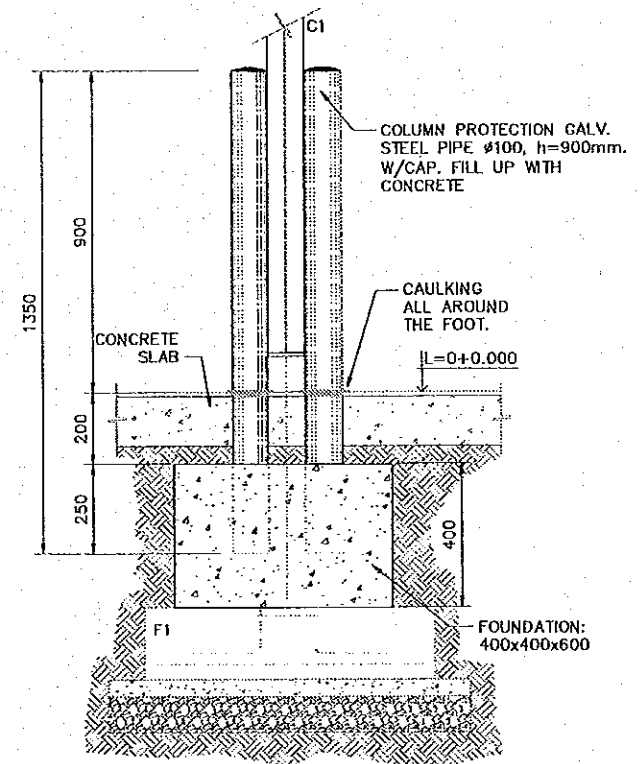
COLUMN PROTECTOR PLAN
SCALE 1:20



TYPICAL SECTION OF DRAIN DITCH
SCALE 1:20



DETAIL "A"
SCALE 1:5



COLUMN PROTECTOR
SCALE 1:20

REV. NO.	DATE	COORDINATE	BY	APPROVED	DATE

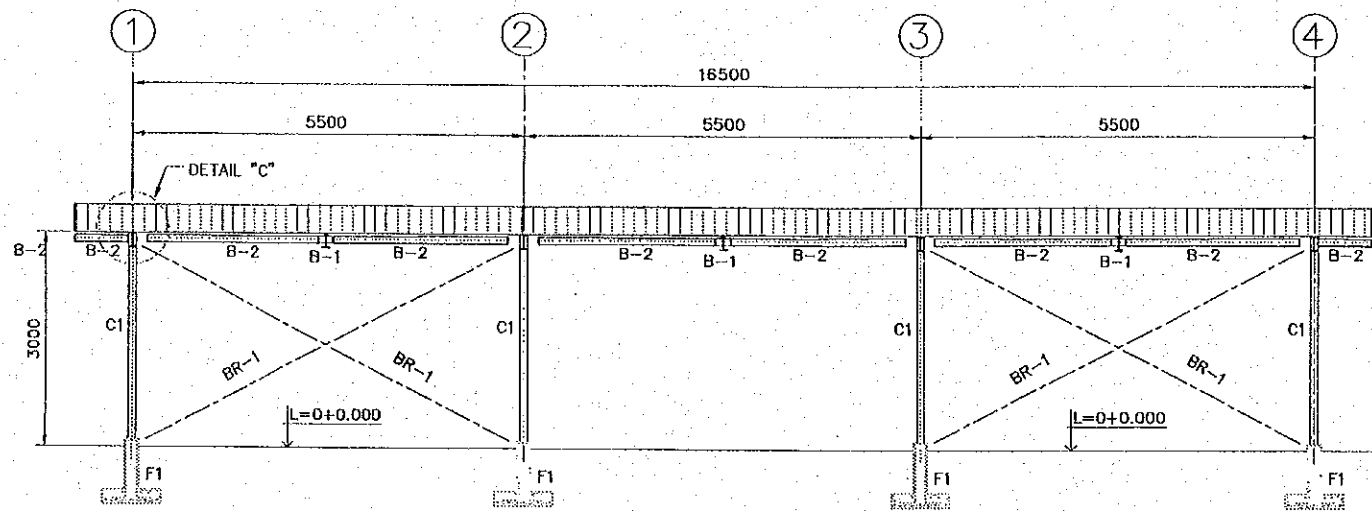
JICA
JAPAN INTERNATIONAL COOPERATION AGENCY (JICA)
CEPA
COMISION EJECUTIVA PORTUARIA AUTONOMA (CEPA)

THE DETAILED DESIGN ON PORT REACTIVATION PROJECT IN LA UNION PROVINCE OF THE REPUBLIC OF EL SALVADOR
NK
NIPPON KOEI CO., LTD.

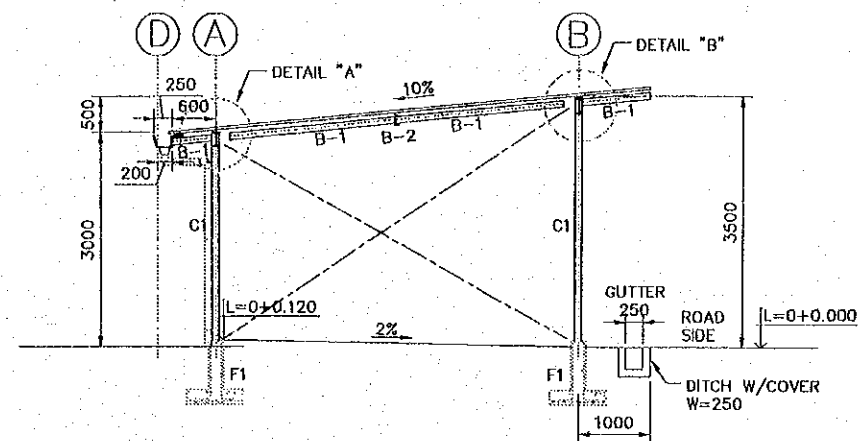
DESIGNED BY :
CHECKED BY :
APPROVED BY :

SECTION : BUILDING WORK
SUB-SECTION : PORT ADMINISTRATION BUILDING
TITLE : PARKING SHED: FLOOR PLAN & DETAILS

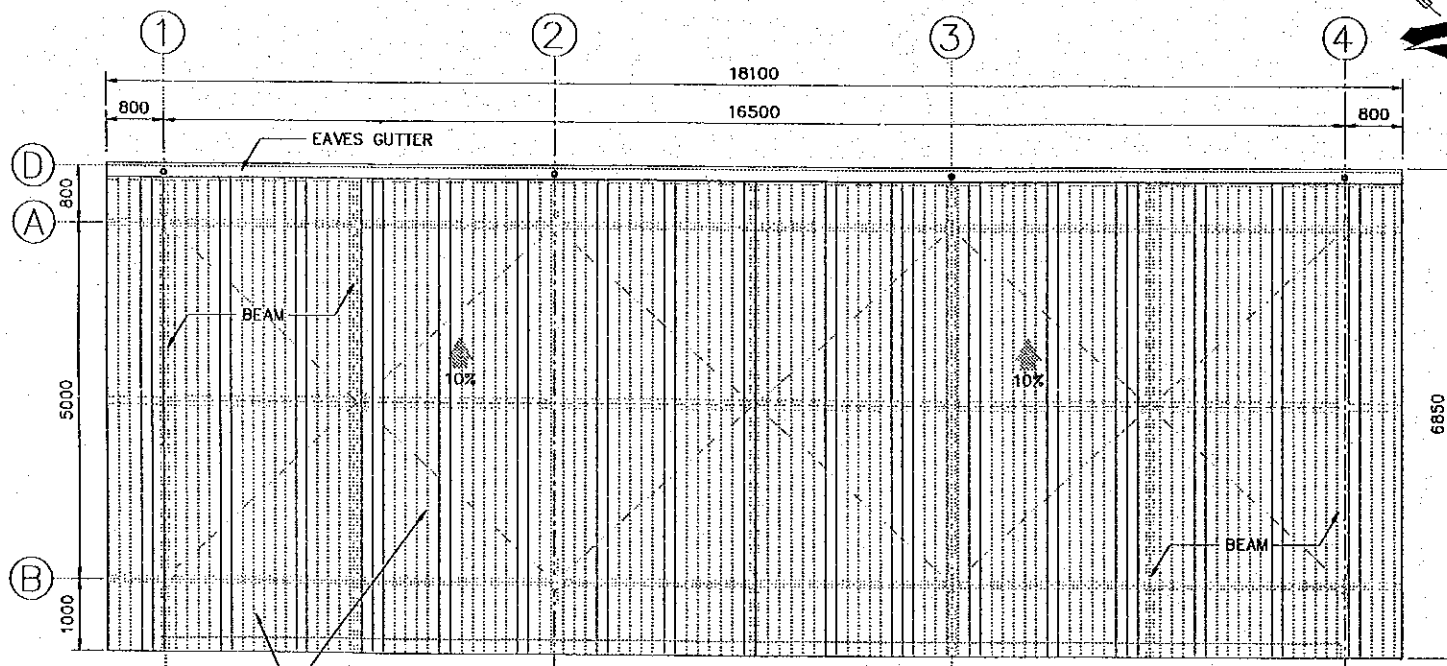
DATE : OCTOBER/2002
SCALE : INDICATED
DRAWING NO: BD-01-043



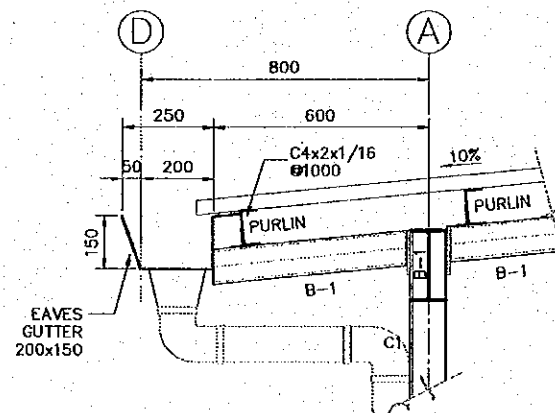
SECTION A - A
SCALE 1:100



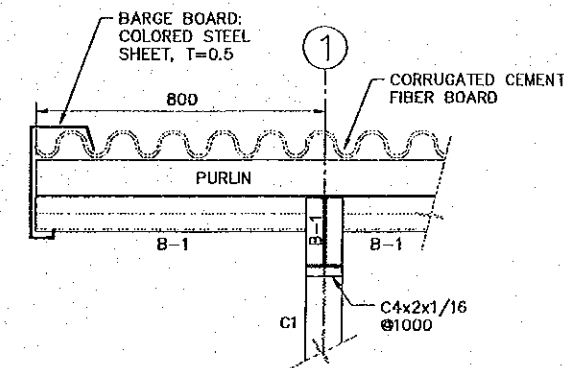
SECTION B - B
SCALE 1:100



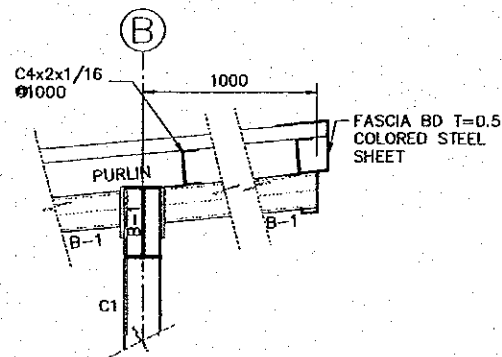
ROOF PLAN
SCALE 1:100



DETAIL "A"
SCALE 1:20



DETAIL "C"
SCALE 1:20

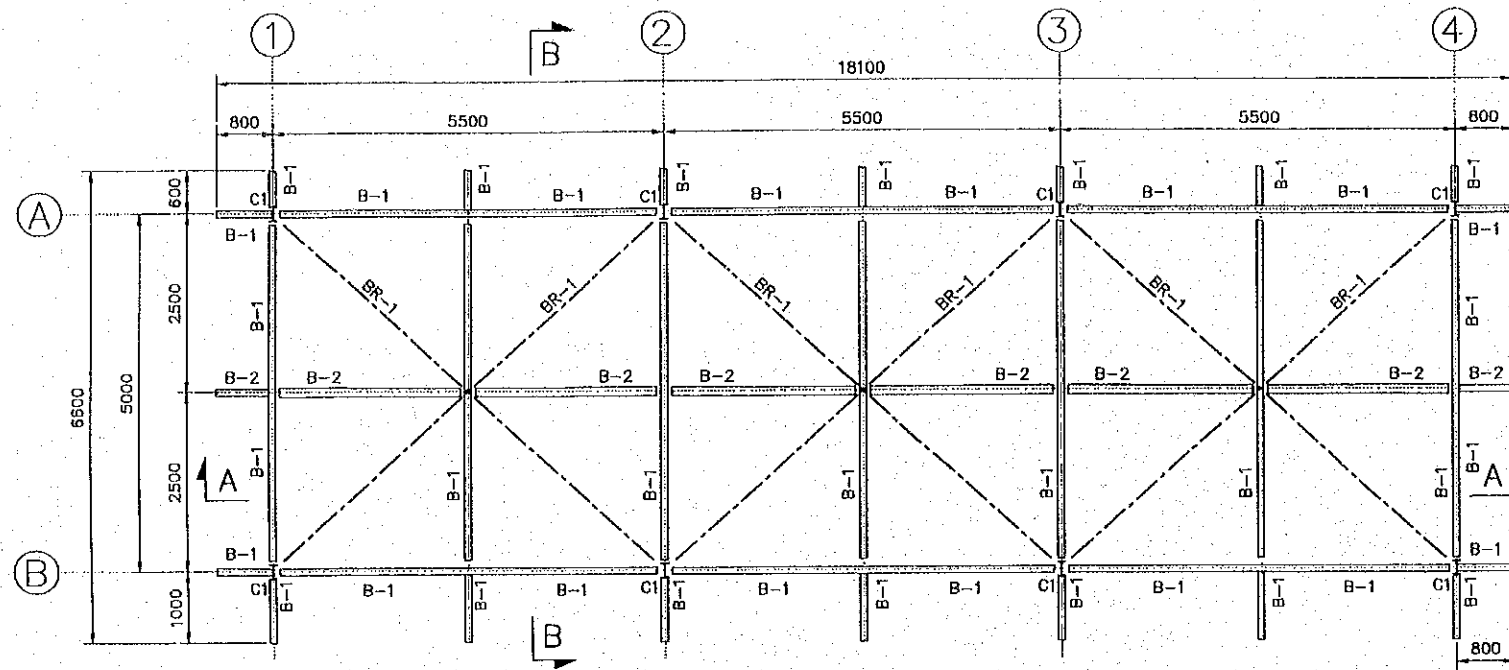


DETAIL "B"
SCALE 1:20

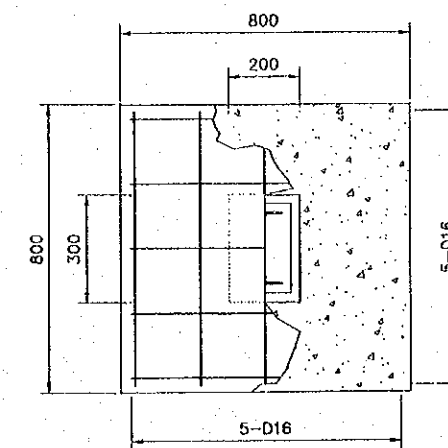
MARK	MEMBER	CONNECTION
C-1	W8x10	BPL 12x250x150 ANCHOR BOLT 2-5/8", L=640
B-1	W10x15	PL 9mm, 2-7/8"
B-2	C-5x9	PL 9mm, 2-3/4"
BR-1	1-5/8"	PL 9mm, 1-3/4"

NOTE
PURLIN : C4x2x1/16", @1000mm.

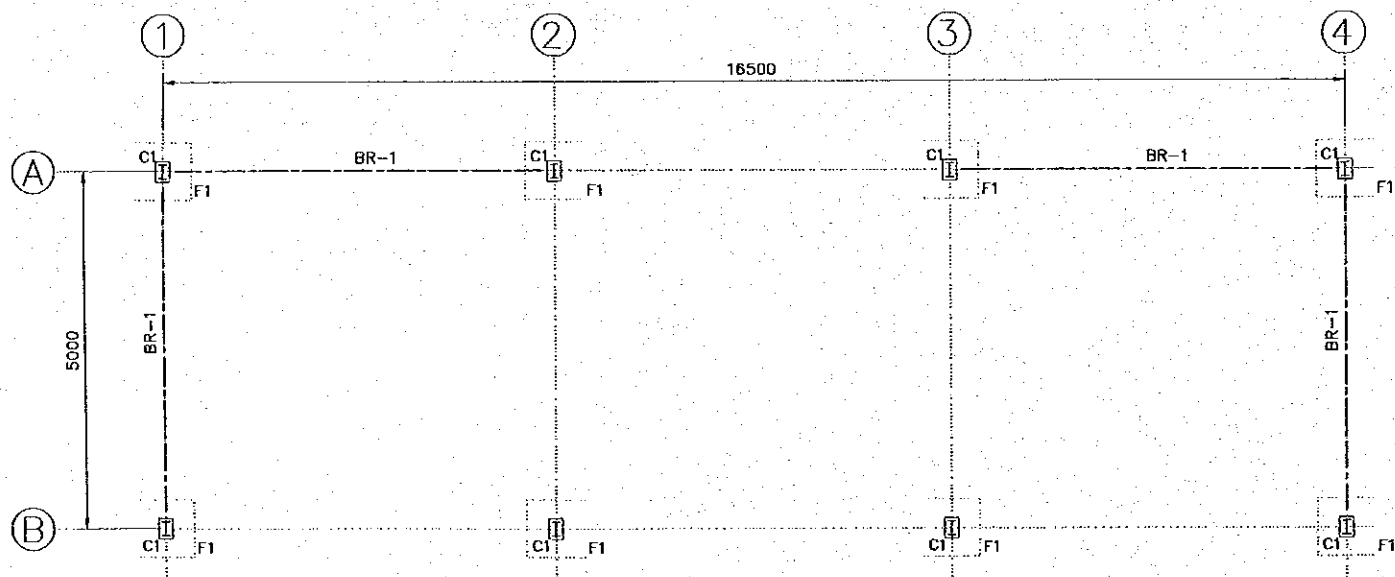
REV. NO.	DATE	COORDINATE	BY	APPROVED	DATE	JICA JAPAN INTERNATIONAL COOPERATION AGENCY (JICA)	COMISION EJECUTIVA PORTUARIA AUTONOMA (CEPA)	THE DETAILED DESIGN ON PORT REACTIVATION PROJECT IN LA UNION PROVINCE OF THE REPUBLIC OF EL SALVADOR NIPPON KOEI CO., LTD.	DESIGNED BY :	SECTION :	DATE :
									SUB-SECTION : BUILDING WORK PORT ADMINISTRATION BUILDING TITLE : PARKING SHED: ROOF PLAN, SECTIONS "A&B" AND DETAILS	OCTOBER/2002 SCALE : INDICATED DRAWING NO : BD-01-044	



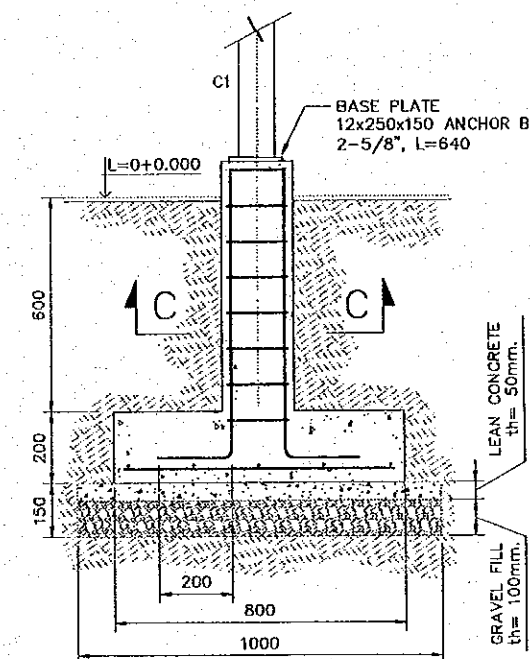
STRUCTURE ROOF PLAN
SCALE 1:100



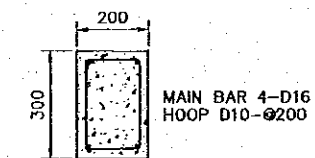
FOUNDATION DETAIL PLAN (F-1)
SCALE 1:20



FOUNDATION PLAN
SCALE 1:100



SECTION F-1
SCALE 1:20



SECTION C-C
SCALE 1:20

REV. NO. DATE	COORDINATE	BY	APPROVED	DATE	JAPAN INTERNATIONAL COOPERATION AGENCY (JICA) COMISION EJECUTIVA PORTUARIA AUTONOMA (CEPA)	THE DETAILED DESIGN ON PORT REACTIVATION PROJECT IN LA UNION PROVINCE OF THE REPUBLIC OF EL SALVADOR NIPPON KOEI CO., LTD.	DESIGNED BY :	SECTION : BUILDING WORK	DATE : OCTOBER/2002
							CHECKED BY :	SUB-SECTION : PORT ADMINISTRATION BUILDING	SCALE : INDICATED
							APPROVED BY :	TITLE : PARKING SHED: STRUCTURE ROOF PLAN, FOUNDATION PLAN & DETAILS	DRAWING NO. : BD-01-045