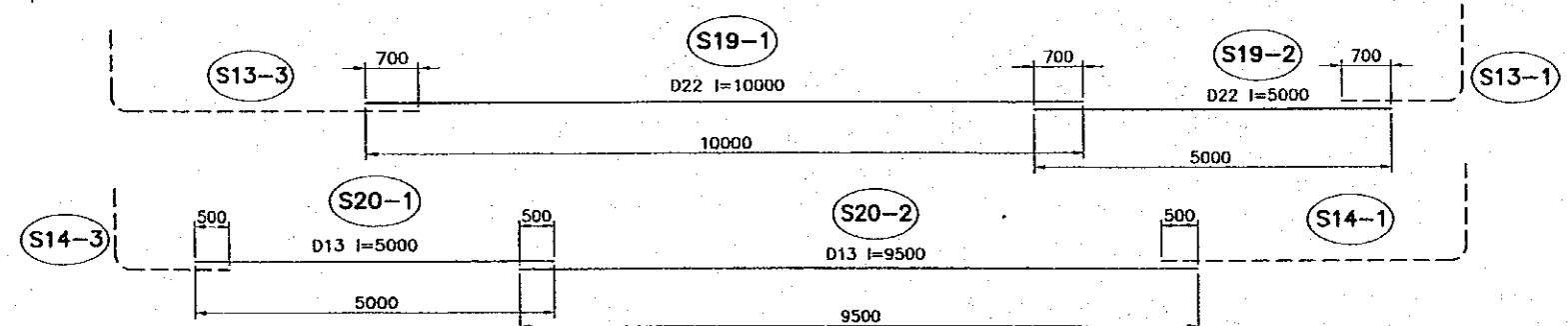
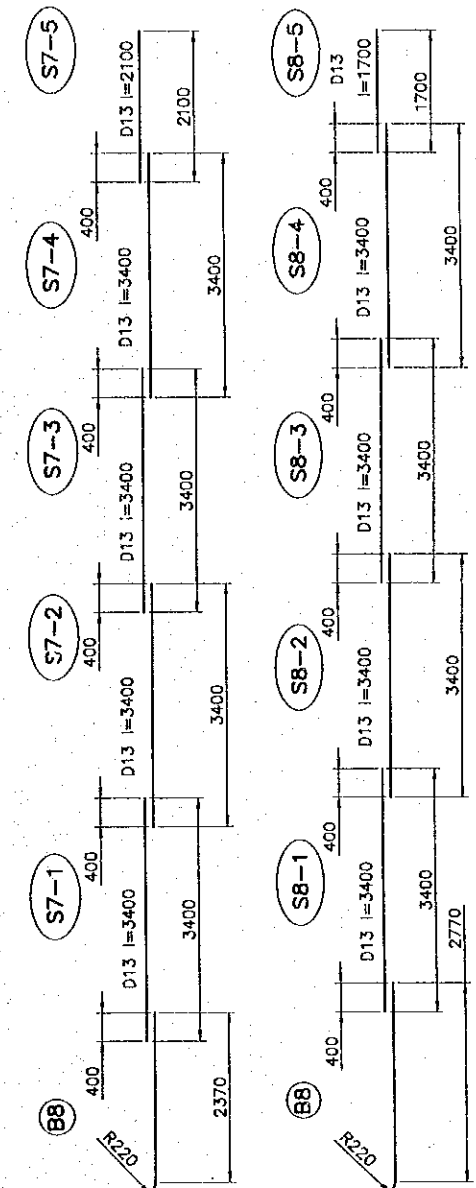
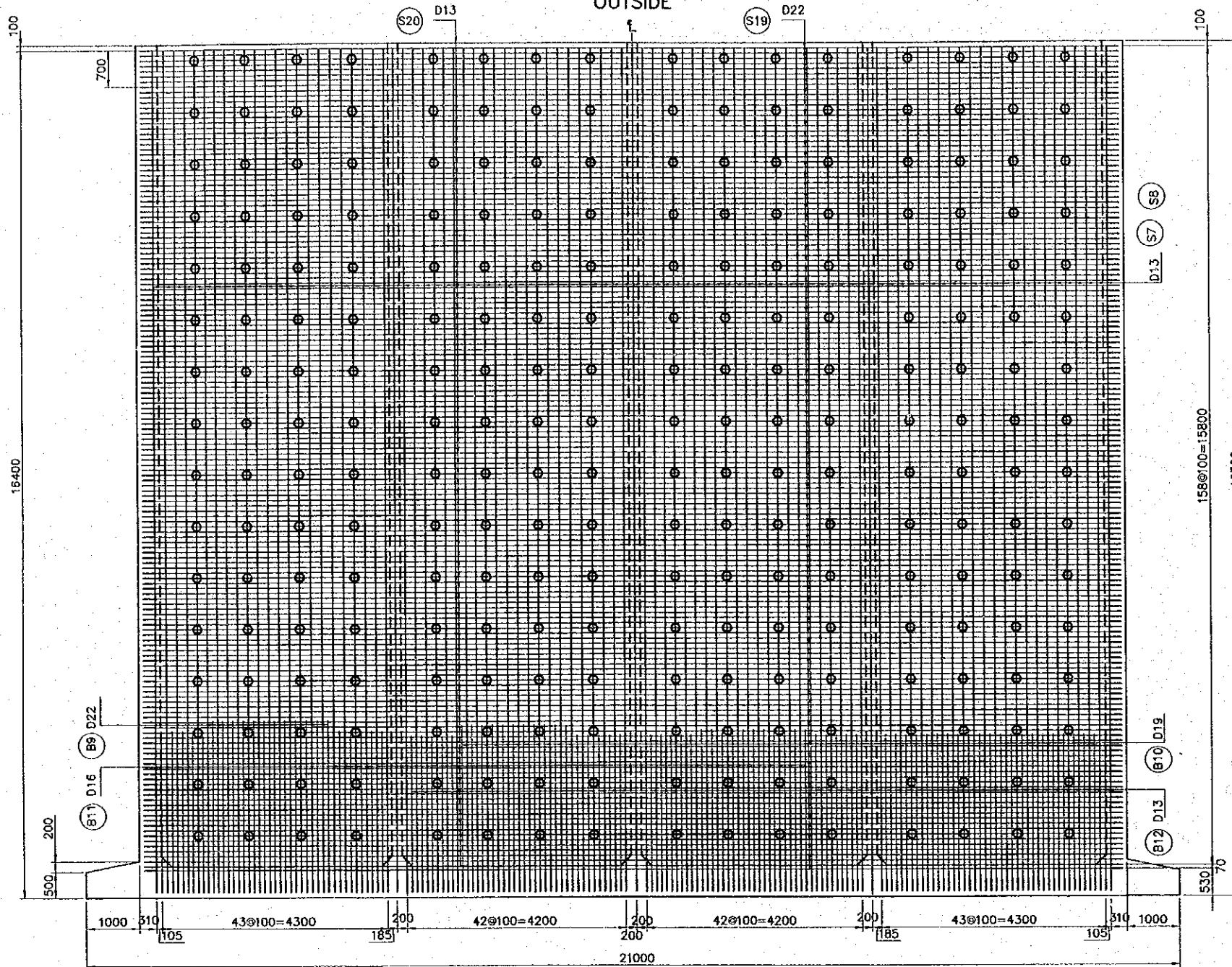




REINFORCEMENT OF CAISSON (7) (SIDE WALL)


OUTSIDE



- NOTES:
 -REMARKS "o" : ERECTION BAR (W) D13
 -LAPPING OF BAR SHALL BE MORE THAN 30 TIMES OF LARGER DIAMETER
 -BAR BENDING SCHEDULE IS REFERENCE ONLY

REV. NO.	DATE	COORDINATE	BY	APPROVED	DATE

 JAPAN INTERNATIONAL COOPERATION AGENCY (JICA)
 COMISION EJECUTIVA PORTUARIA AUTONOMA (CEPA)

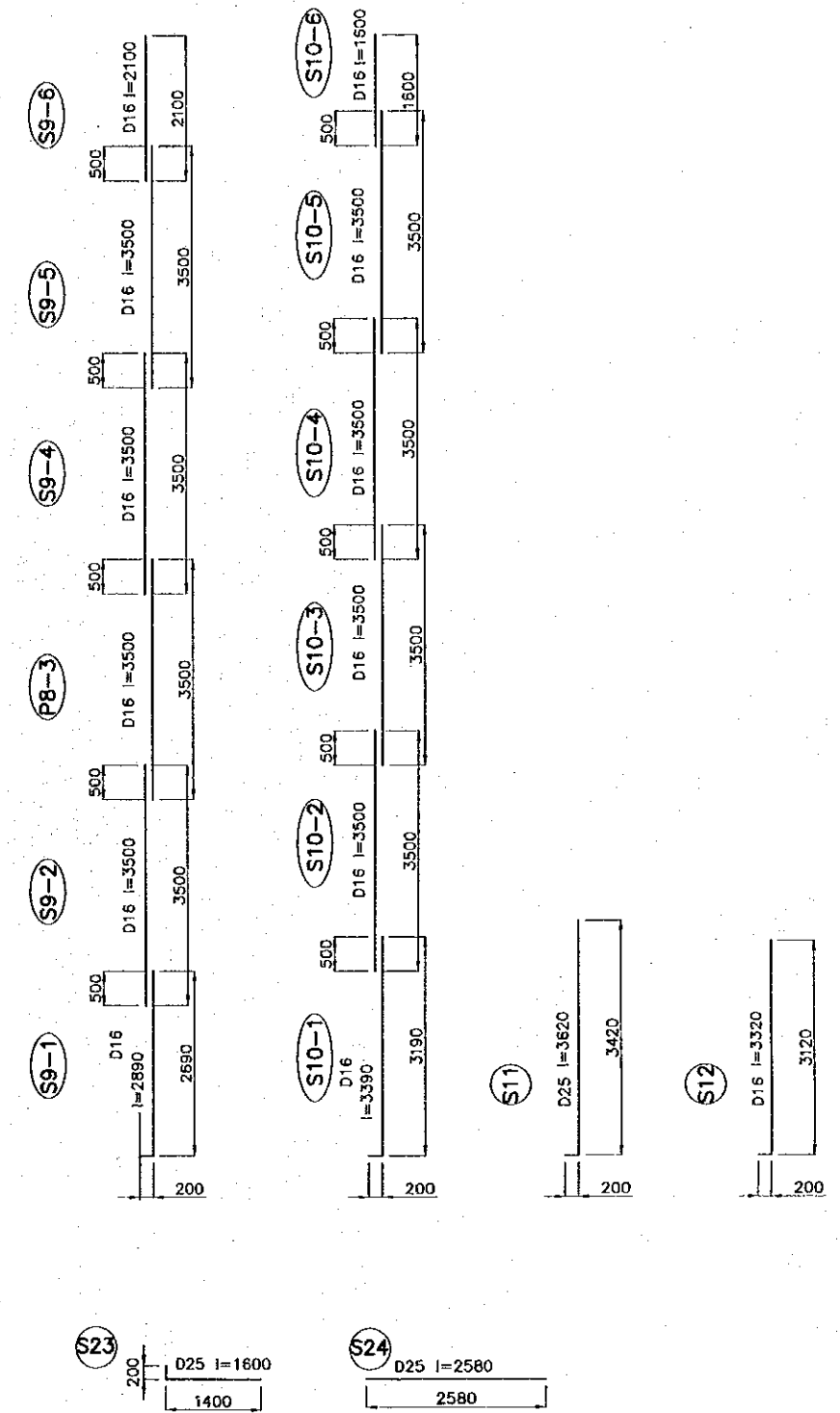
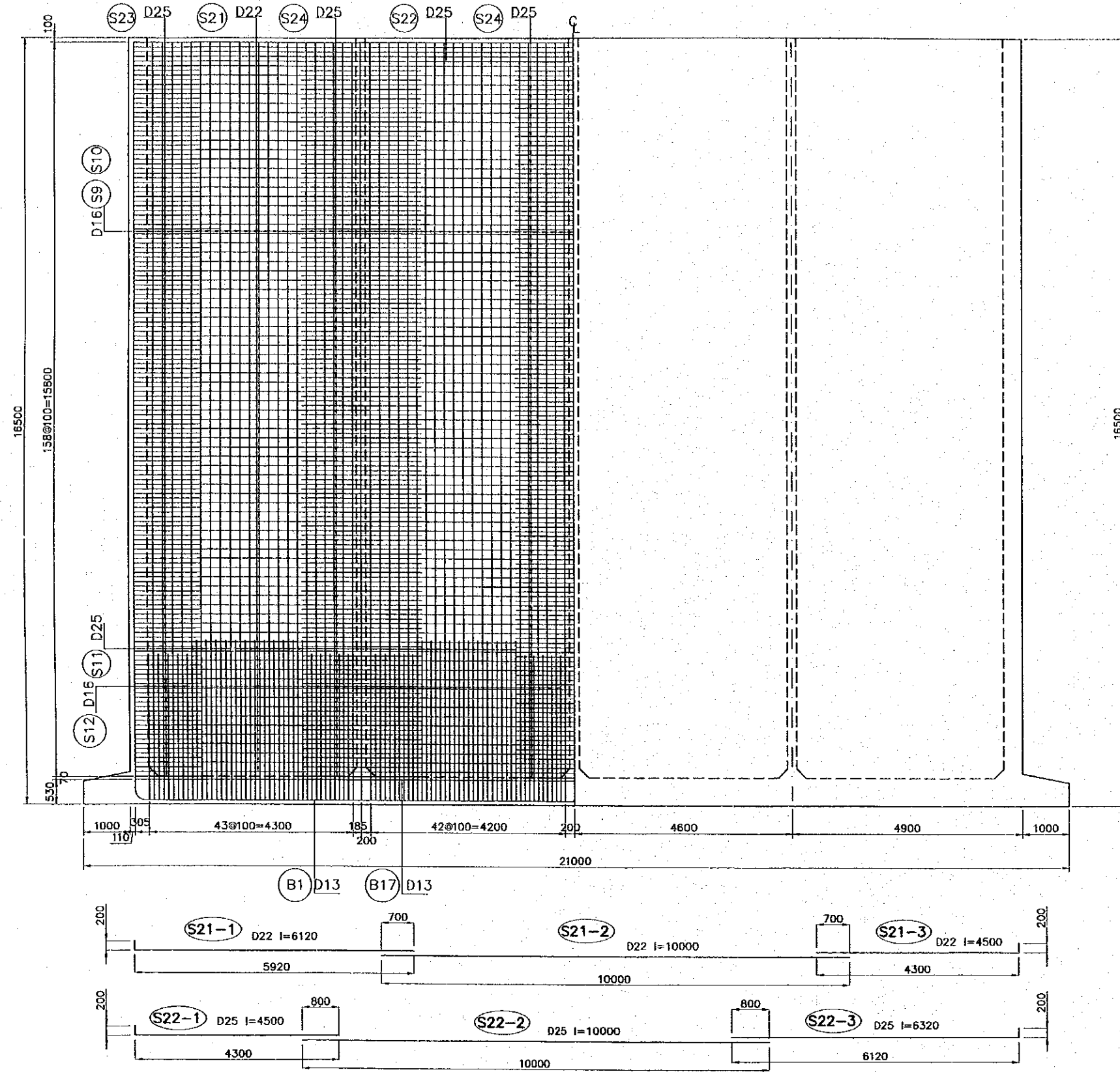
 THE DETAILED DESIGN ON PORT REACTIVATION PROJECT IN LA UNION PROVINCE OF THE REPUBLIC OF EL SALVADOR
 NIPPON KOEI CO., LTD.

DESIGNED BY :	
CHECKED BY :	
APPROVED BY :	

SECTION : QUAYWALL WORK
 SUB-SECTION : CONTAINER AND MULTI-PURPOSE BERTH
 TITLE : REINFORCEMENT OF CAISSON (7)

DATE :	OCTOBER/2002
SCALE :	1 : 100
DRAWING NO. :	QW-01-032

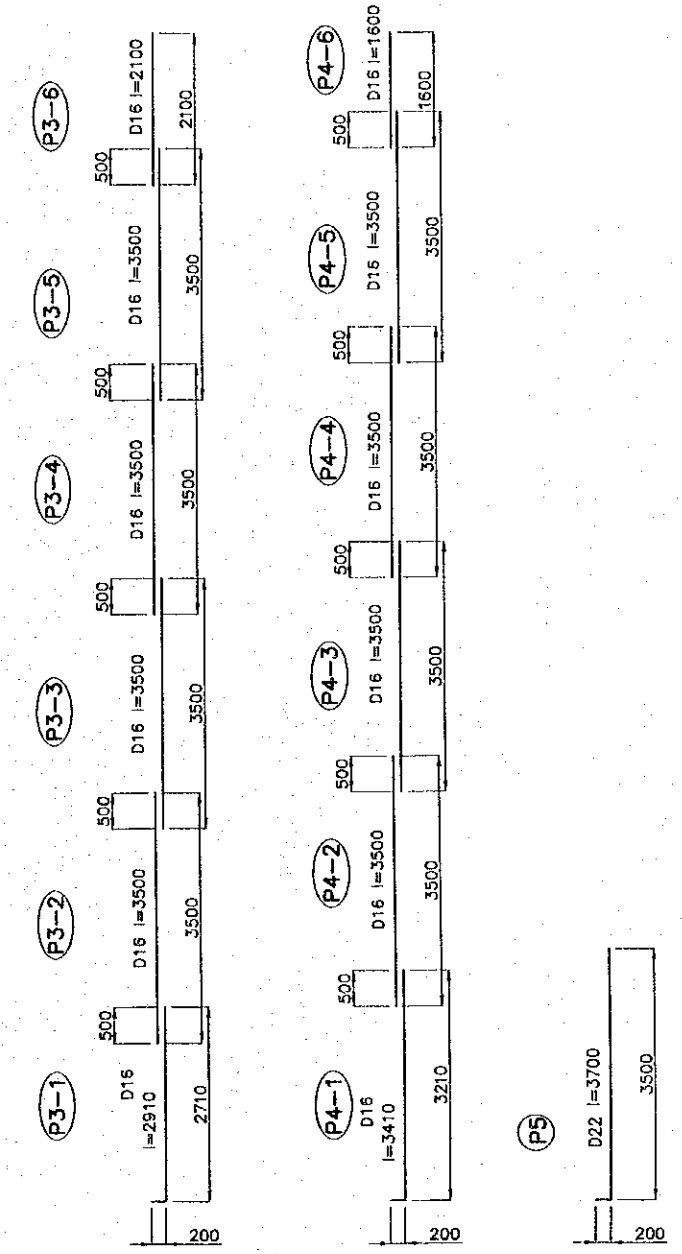
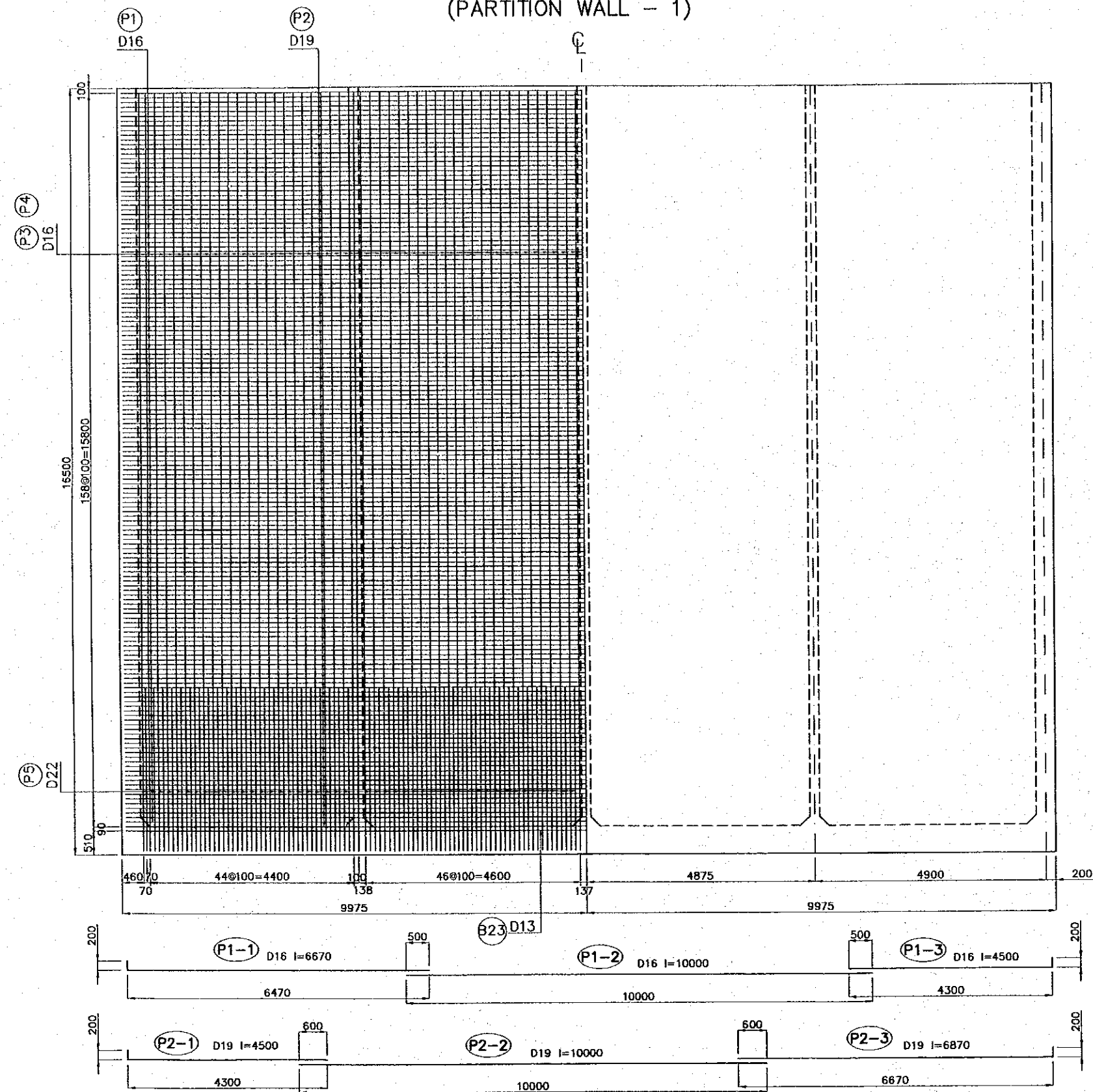
REINFORCEMENT OF CAISSON (8) (SIDE WALL) INSIDE



NOTES:
 -LAPPING OF BAR SHALL BE MORE THAN 30 TIMES OF LARGER DIAMETER
 -BAR BENDING SCHEDULE IS REFERENCE ONLY

<table border="1" style="width: 100%; border-collapse: collapse;"> <tr> <td style="width: 20%;">REV. NO.</td> <td style="width: 20%;">DATE</td> <td style="width: 20%;">COORDINATE</td> <td style="width: 20%;">BY</td> <td style="width: 20%;">APPROVED</td> <td style="width: 20%;">DATE</td> </tr> <tr> <td> </td> <td> </td> <td> </td> <td> </td> <td> </td> <td> </td> </tr> </table>	REV. NO.	DATE	COORDINATE	BY	APPROVED	DATE							<p>JICA JAPAN INTERNATIONAL COOPERATION AGENCY (JICA)</p> <p>Cepa COMISION EJECUTIVA PORTUARIA AUTONOMA (CEPA)</p>	<p>THE DETAILED DESIGN ON PORT REACTIVATION PROJECT IN LA UNION PROVINCE OF THE REPUBLIC OF EL SALVADOR</p> <p>NIPPON KOEI CO., LTD.</p>	<table border="1" style="width: 100%; border-collapse: collapse;"> <tr> <td style="width: 33%;">DESIGNED BY :</td> <td style="width: 33%;">SECTION : QUAYWALL WORK</td> <td style="width: 33%;">DATE : OCTOBER/2002</td> </tr> <tr> <td>CHECKED BY :</td> <td>SUB-SECTION : CONTAINER AND MULTI-PURPOSE BERTH</td> <td>SCALE : 1 : 100</td> </tr> <tr> <td>APPROVED BY :</td> <td>TITLE : REINFORCEMENT OF CAISSON (8)</td> <td>DRAWING NO. : QW-01-033</td> </tr> </table>	DESIGNED BY :	SECTION : QUAYWALL WORK	DATE : OCTOBER/2002	CHECKED BY :	SUB-SECTION : CONTAINER AND MULTI-PURPOSE BERTH	SCALE : 1 : 100	APPROVED BY :	TITLE : REINFORCEMENT OF CAISSON (8)	DRAWING NO. : QW-01-033
REV. NO.	DATE	COORDINATE	BY	APPROVED	DATE																			
DESIGNED BY :	SECTION : QUAYWALL WORK	DATE : OCTOBER/2002																						
CHECKED BY :	SUB-SECTION : CONTAINER AND MULTI-PURPOSE BERTH	SCALE : 1 : 100																						
APPROVED BY :	TITLE : REINFORCEMENT OF CAISSON (8)	DRAWING NO. : QW-01-033																						

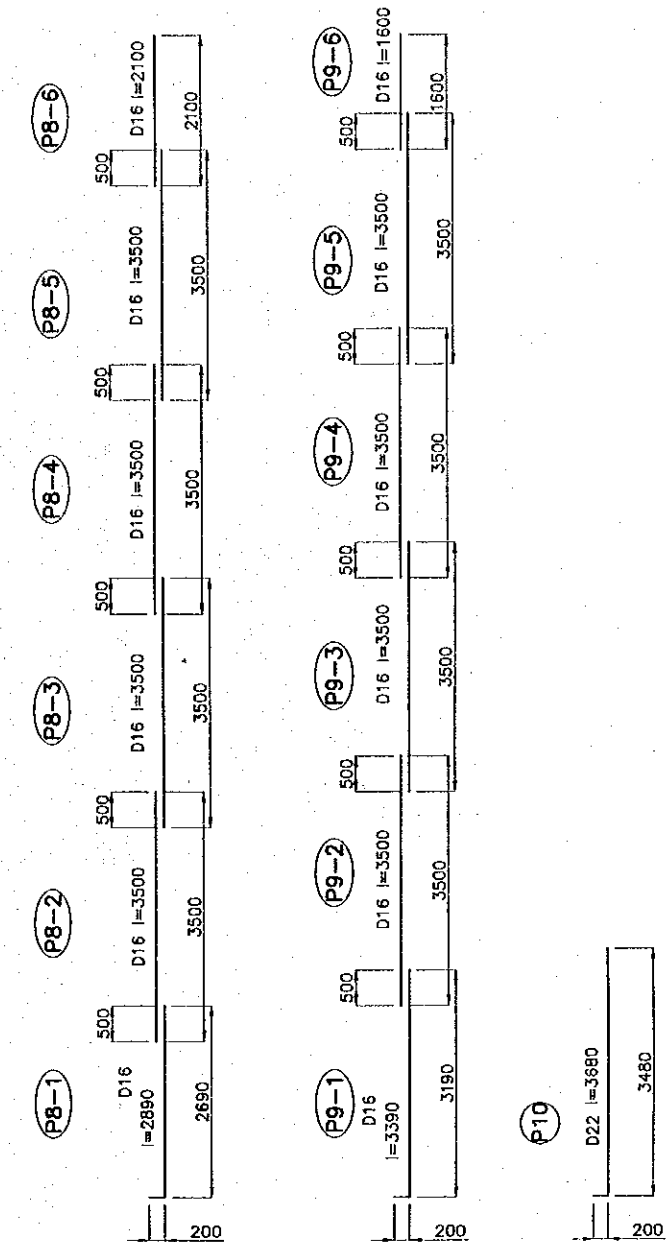
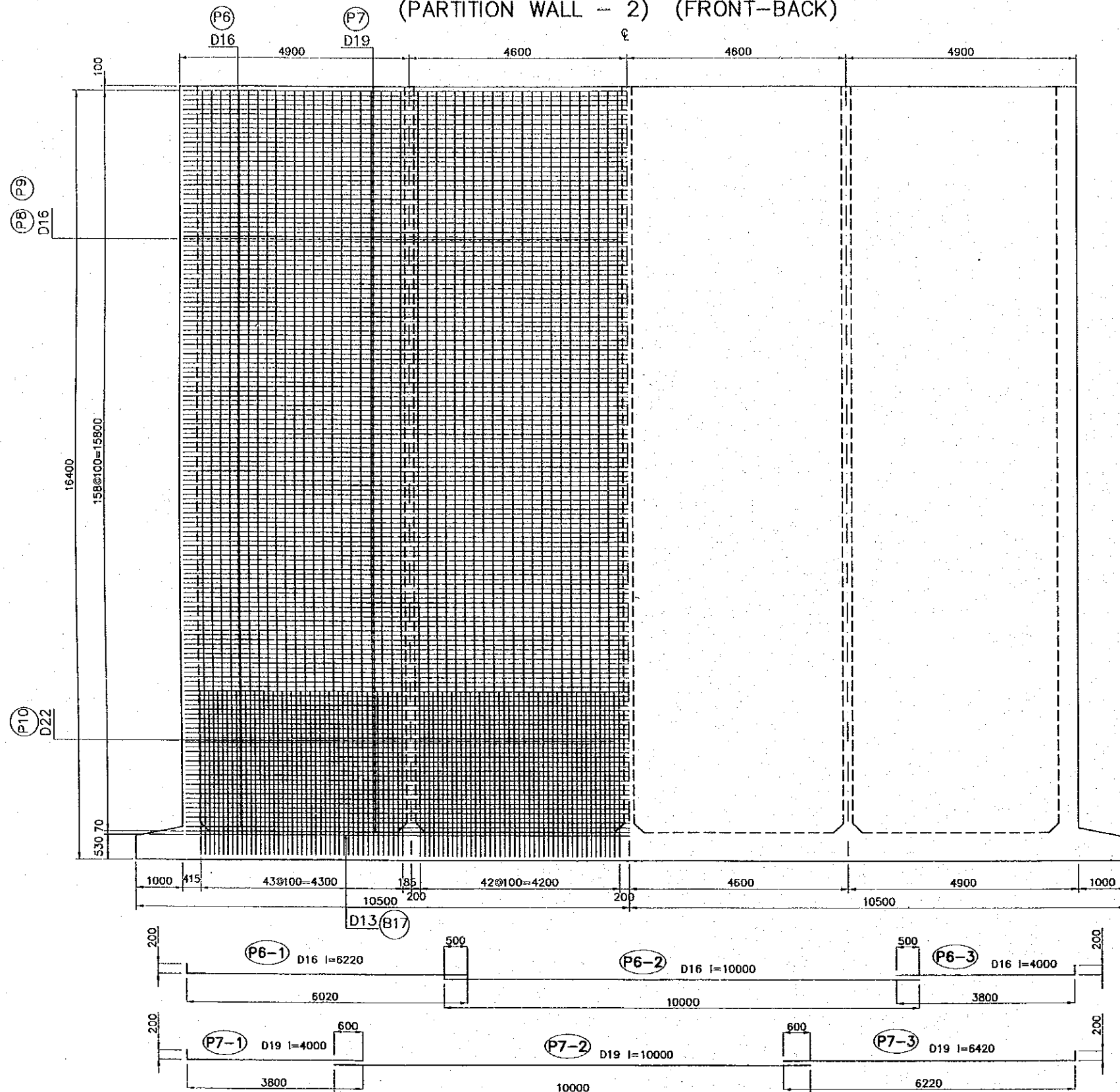
REINFORCEMENT OF CAISSON (9)
(PARTITION WALL - 1)



NOTES:
-LAPPING OF BAR SHALL BE MORE THAN 30 TIMES OF LARGER DIAMETER
-BAR BENDING SCHEDULE IS REFERENCE ONLY

REV. NO.	DATE	COORDINATE	BY	APPROVED	DATE	<p>JAPAN INTERNATIONAL COOPERATION AGENCY (JICA) COMISION EJECUTIVA PORTUARIA AUTONOMA (CEPA)</p>	<p>THE DETAILED DESIGN ON PORT REACTIVATION PROJECT IN LA UNION PROVINCE OF THE REPUBLIC OF EL SALVADOR</p> <p>NIPPON KOEI CO., LTD.</p>	DESIGNED BY :	SECTION : QUAYWALL WORK	DATE : OCTOBER/2002
					CHECKED BY :			SUB-SECTION : CONTAINER AND MULTI-PURPOSE BERTH	SCALE : 1 : 100	
					APPROVED BY :			TITLE : REINFORCEMENT OF CAISSON (9)	DRAWING NO. : QW-01-034	

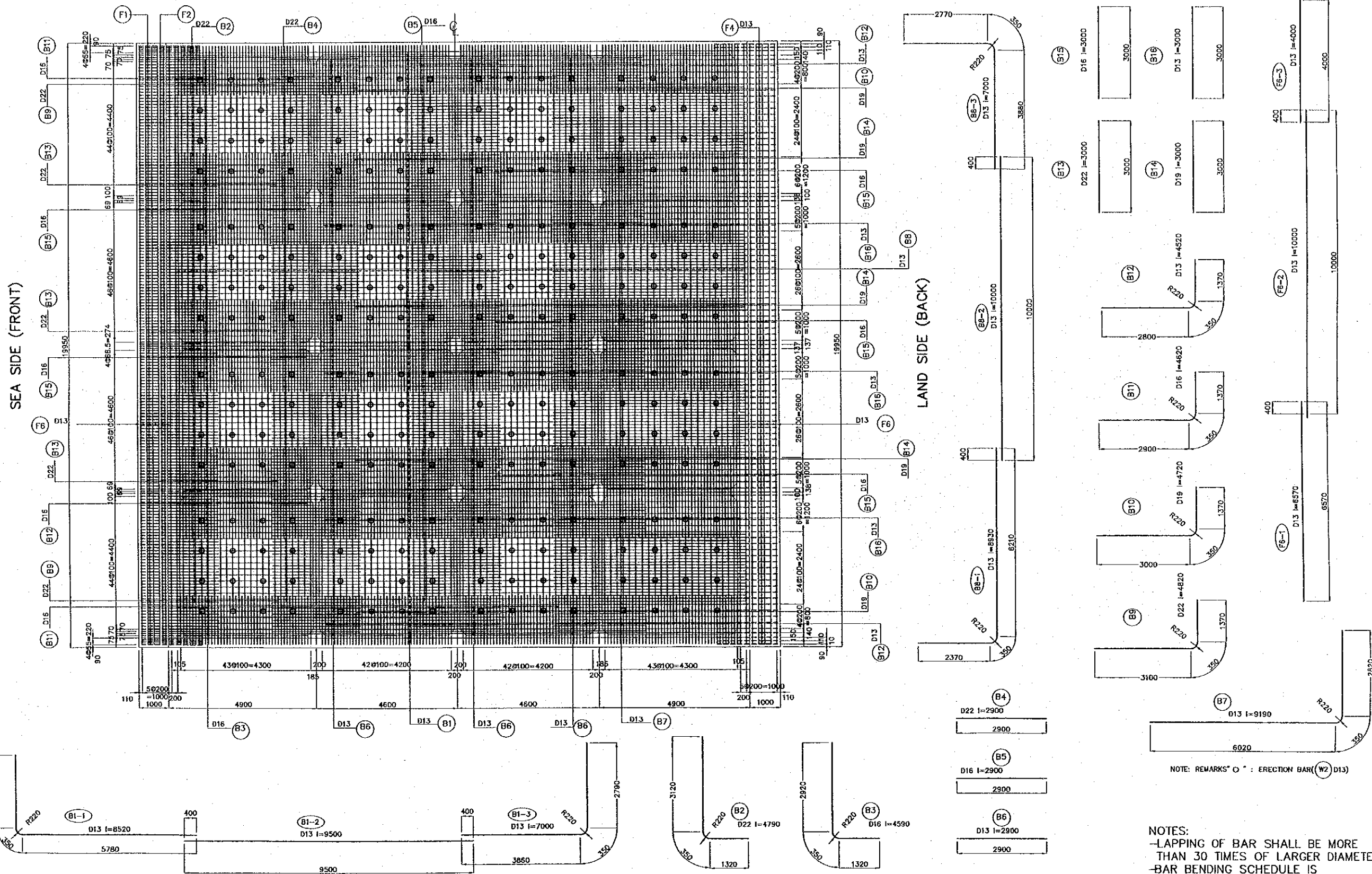
REINFORCEMENT OF CAISSON (10)
(PARTITION WALL - 2) (FRONT-BACK)



NOTES:
-LAPPING OF BAR SHALL BE MORE THAN 30 TIMES OF LARGER DIAMETER
-BAR BENDING SCHEDULE IS REFERENCE ONLY

REV. NO.	DATE	COORDINATE	BY	APPROVED	DATE	<p>JICA JAPAN INTERNATIONAL COOPERATION AGENCY (JICA)</p> <p>CEPA COMISION EJECUTIVA PORTUARIA AUTONOMA (CEPA)</p>	<p>THE DETAILED DESIGN ON PORT REACTIVATION PROJECT IN LA UNION PROVINCE OF THE REPUBLIC OF EL SALVADOR</p> <p>NIPPON KOEI CO., LTD.</p>	DESIGNED BY :	SECTION : QUAYWALL WORK	DATE : OCTOBER/2002
								CHECKED BY :	SUB-SECTION : CONTAINER AND MULTI-PURPOSE BERTH	SCALE : 1 : 100
								APPROVED BY :	TITLE : REINFORCEMENT OF CAISSON (10)	DRAWING NO. : QW-01-035


REINFORCEMENT OF CAISSON (11) LOWER SIDE



NOTES:
 -LAPPING OF BAR SHALL BE MORE THAN 30 TIMES OF LARGER DIAMETER
 -BAR BENDING SCHEDULE IS REFERENCE ONLY

REV. NO.	DATE	COORDINATE	BY	APPROVED	DATE

JICA
 JAPAN INTERNATIONAL COOPERATION AGENCY (JICA)
Cepa
 COMISION EJECUTIVA PORTUARIA AUTONOMA (CEPA)

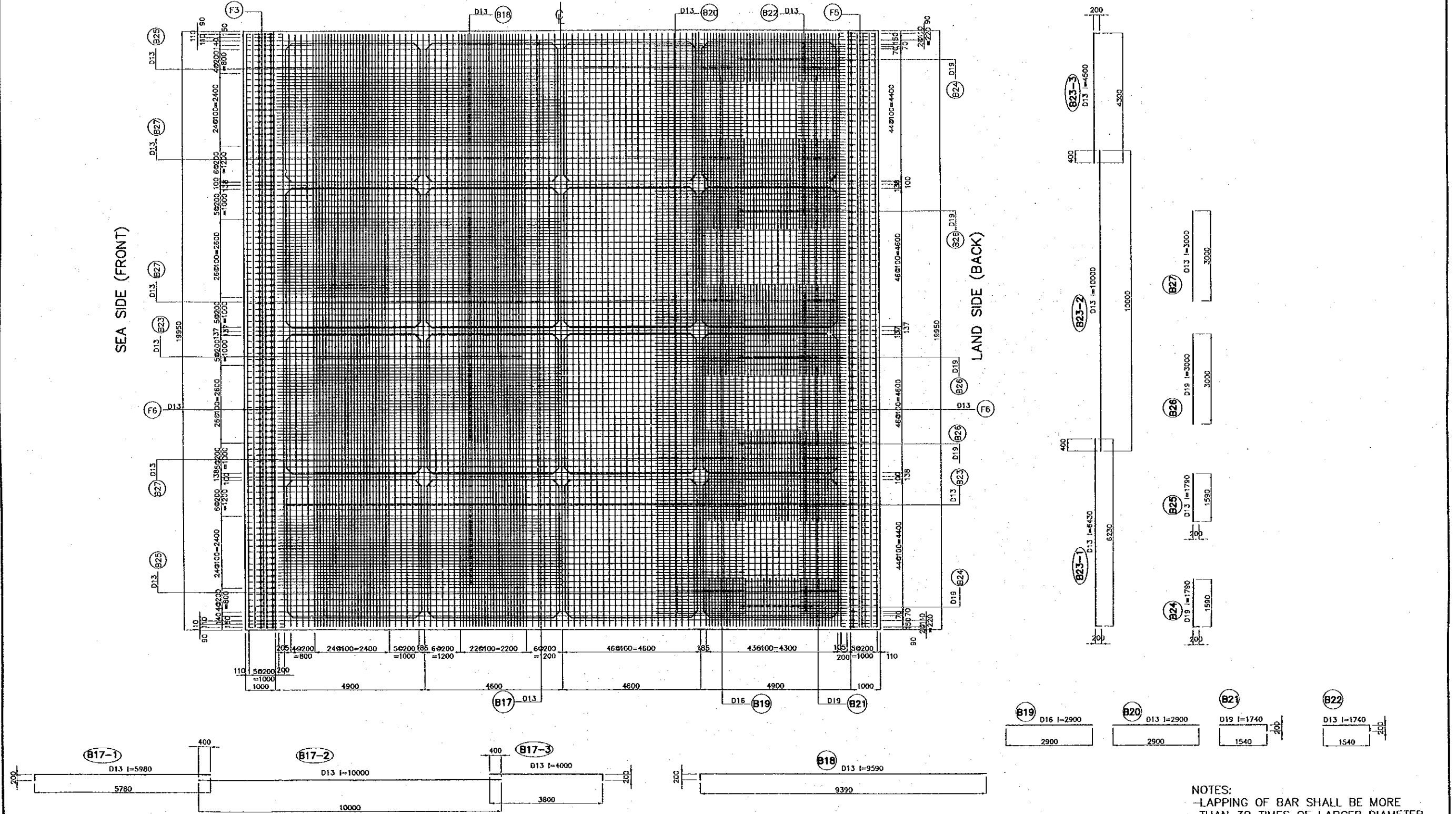
THE DETAILED DESIGN
 ON PORT REACTIVATION PROJECT
 IN LA UNION PROVINCE
 OF THE REPUBLIC OF EL SALVADOR

 NIPPON KOEI CO., LTD.

DESIGNED BY :
 CHECKED BY :
 APPROVED BY :

SECTION : QUAYWALL WORK
 SUB-SECTION : CONTAINER AND MULTI-PURPOSE BERTH
 TITLE : REINFORCEMENT OF CAISSON (11)

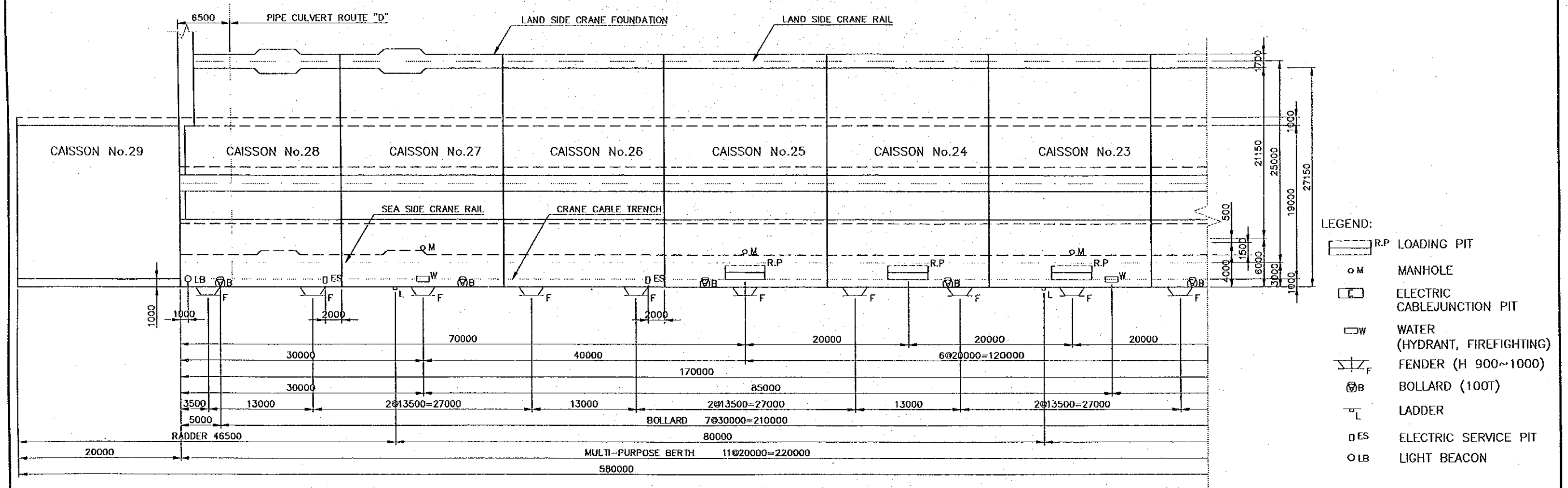
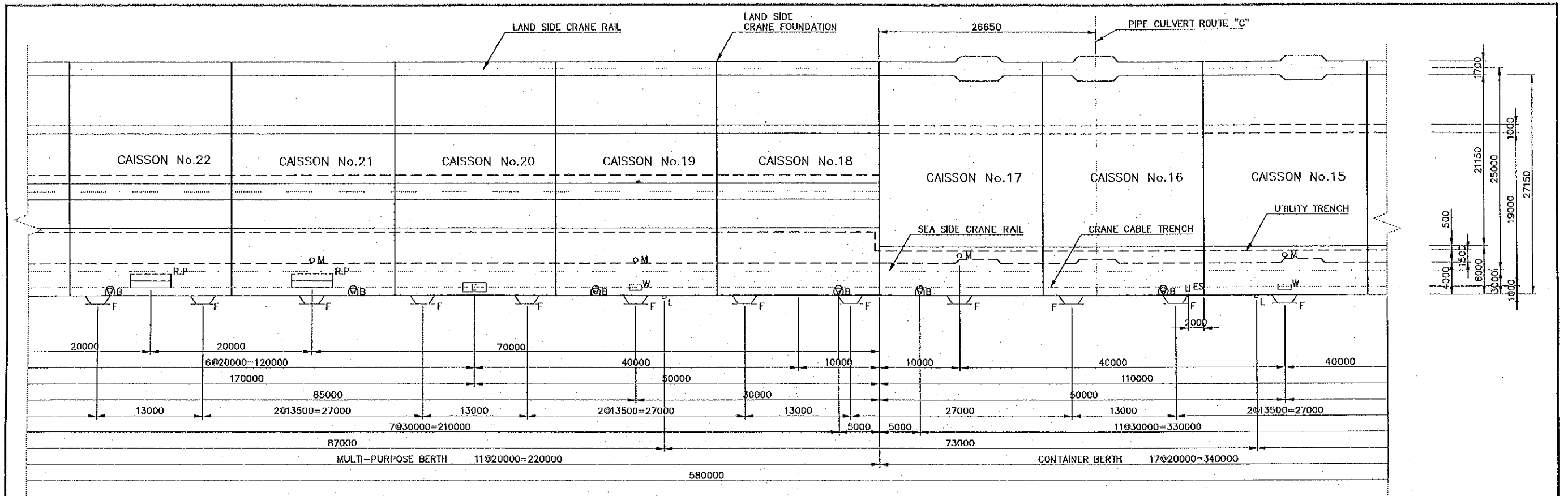
DATE : OCTOBER/2002
 SCALE : 1 : 125
 DRAWING NO : QW-01-036

REINFORCEMENT OF CAISSON (12)
UPPER SIDE



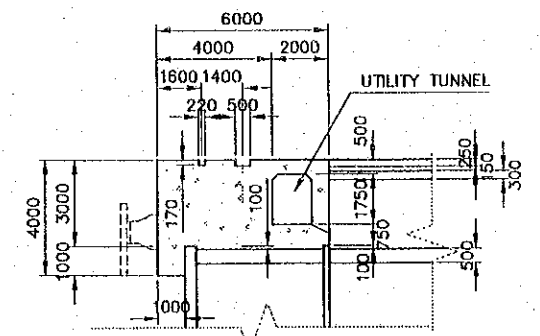
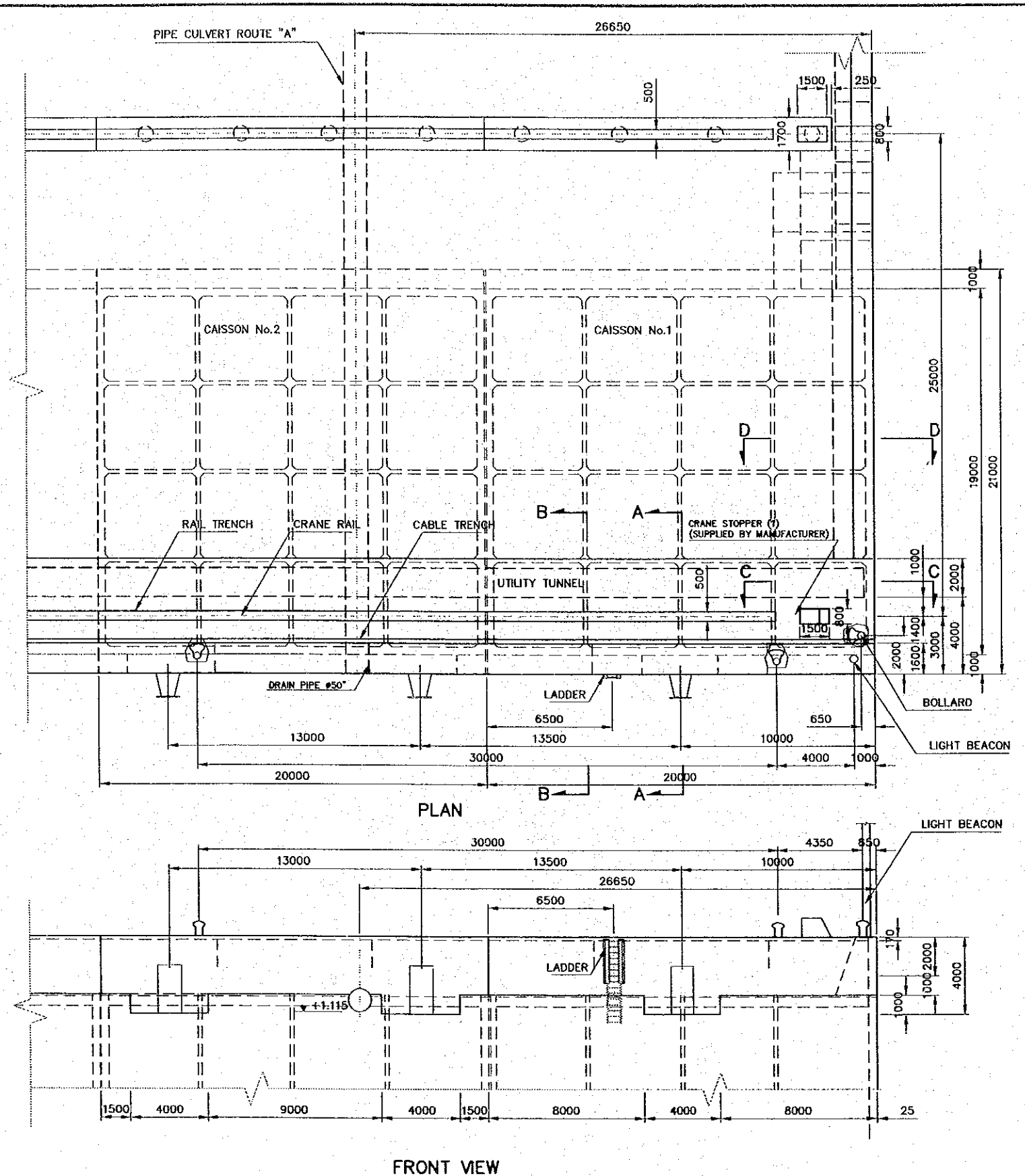
NOTES:
-LAPPING OF BAR SHALL BE MORE THAN 30 TIMES OF LARGER DIAMETER
-BAR BENDING SCHEDULE IS REFERENCE ONLY

REV. NO.	DATE	COORDINATE	BY	APPROVED	DATE	<p>JICA JAPAN INTERNATIONAL COOPERATION AGENCY (JICA)</p> <p>CEPa COMISION EJECUTIVA PORTUARIA AUTONOMA (CEPA)</p>	<p>THE DETAILED DESIGN ON PORT REACTIVATION PROJECT IN LA UNION PROVINCE OF THE REPUBLIC OF EL SALVADOR</p> <p>NIPPON KOEI CO., LTD.</p>	DESIGNED BY :	SECTION : QUAYWALL WORK	DATE : OCTOBER/2002
					CHECKED BY :			SUB-SECTION : CONTAINER AND MULTI-PURPOSE BERTH	SCALE : 1 : 125	
					APPROVED BY :			TITLE : REINFORCEMENT OF CAISSON (12)	DRAWING NO. : QW-01-037	

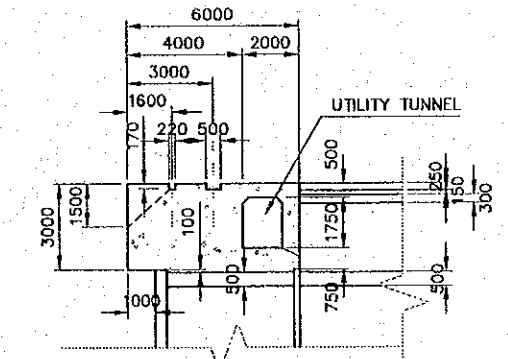


- LEGEND:
- R.P. LOADING PIT
 - o M MANHOLE
 - E ELECTRIC CABLEJUNCTION PIT
 - W WATER (HYDRANT, FIREFIGHTING)
 - F FENDER (H 900~1000)
 - B BOLLARD (100T)
 - L LADDER
 - ES ELECTRIC SERVICE PIT
 - LB LIGHT BEACON

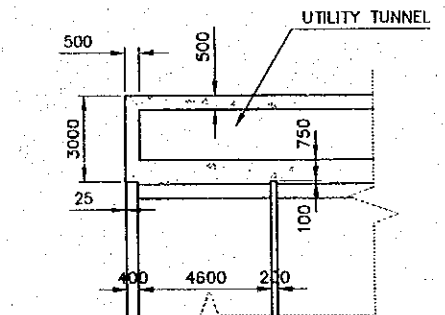
REV. NO.	DATE	COORDINATE	BY	APPROVED	DATE	JICA JAPAN INTERNATIONAL COOPERATION AGENCY (JICA) CEPA COMISION EJECUTIVA PORTUARIA AUTONOMA (CEPA)	THE DETAILED DESIGN ON PORT REACTIVATION PROJECT IN LA UNION PROVINCE OF THE REPUBLIC OF EL SALVADOR NKC NIPPON KOEI CO., LTD.	DESIGNED BY :	SECTION :	DATE :
								CHECKED BY :	SUB-SECTION :	OCTOBER/2002
								APPROVED BY :	TITLE :	SCALE : 1 : 500
								QUAYWALL WORK CONTAINER AND MULTI-PURPOSE BERTH DETAIL LAYOUT PLAN CONTAINER AND MULTI-PURPOSE BERTH (2)		DRAWING NO. : QW-01-039



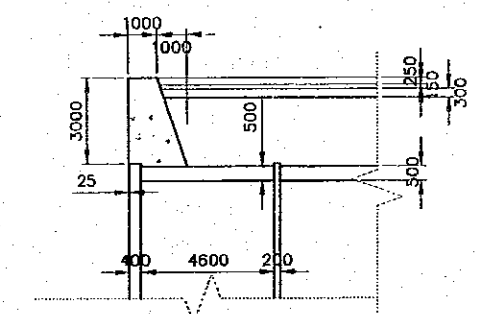
SECTION A-A



SECTION B-B

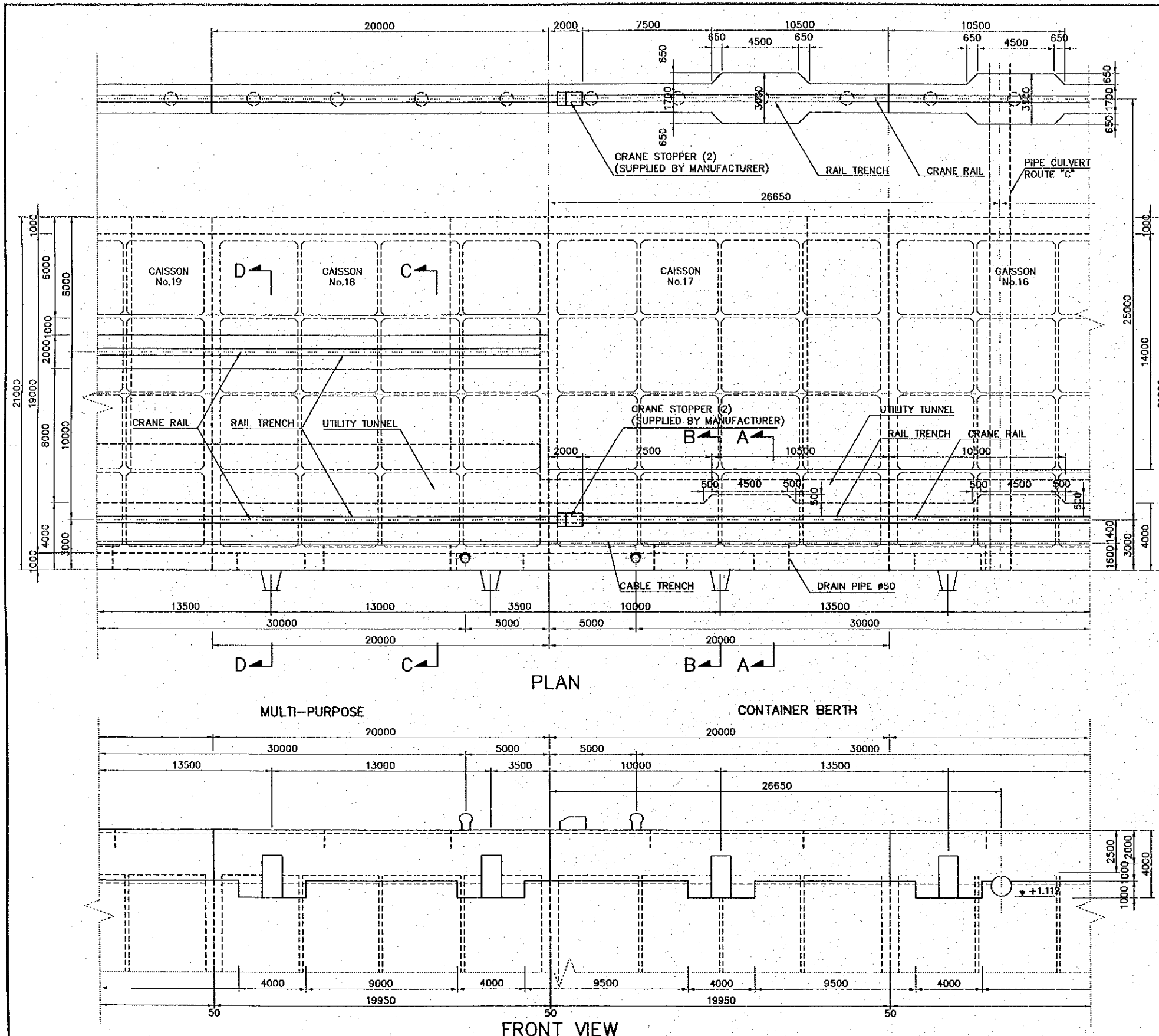


SECTION C-C



SECTION D-D

REV. NO.		DATE		COORDINATE		BY		APPROVED		DATE					
				 JICA JAPAN INTERNATIONAL COOPERATION AGENCY (JICA)		THE DETAILED DESIGN ON PORT REACTIVATION PROJECT IN LA UNION PROVINCE OF THE REPUBLIC OF EL SALVADOR				DESIGNED BY :		SECTION : QUAYWALL WORK		DATE : OCTOBER/2002	
				 CEPA COMISION EJECUTIVA PORTUARIA AUTONOMA (CEPA)		 NIPPON KOEI CO., LTD.				CHECKED BY :		SUB-SECTION : CONTAINER AND MULTI-PURPOSE BERTH		SCALE : 1 : 250	
								APPROVED BY :		DETAIL OF COPING (1)		DRAWING NO : QW-01-040			



REV. NO.	DATE	COORDINATE	BY	APPROVED	DATE

JICA
 JAPAN INTERNATIONAL
 COOPERATION AGENCY
 (JICA)

Cepa
 COMISION EJECUTIVA
 PORTUARIA AUTONOMA
 (CEPA)

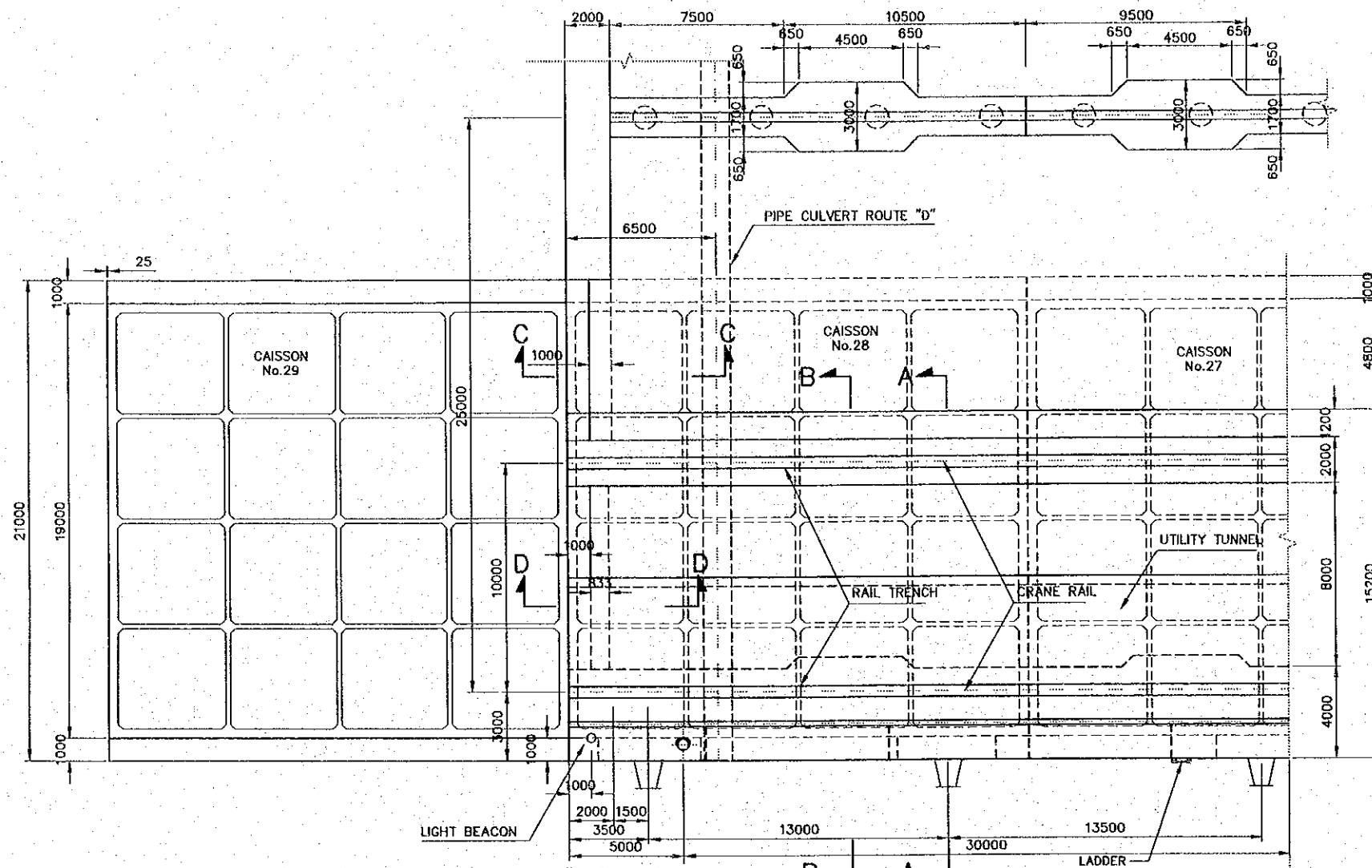
THE DETAILED DESIGN
 ON PORT REACTIVATION PROJECT
 IN LA UNION PROVINCE
 OF THE REPUBLIC OF EL SALVADOR

NIPPON KOEI CO., LTD.

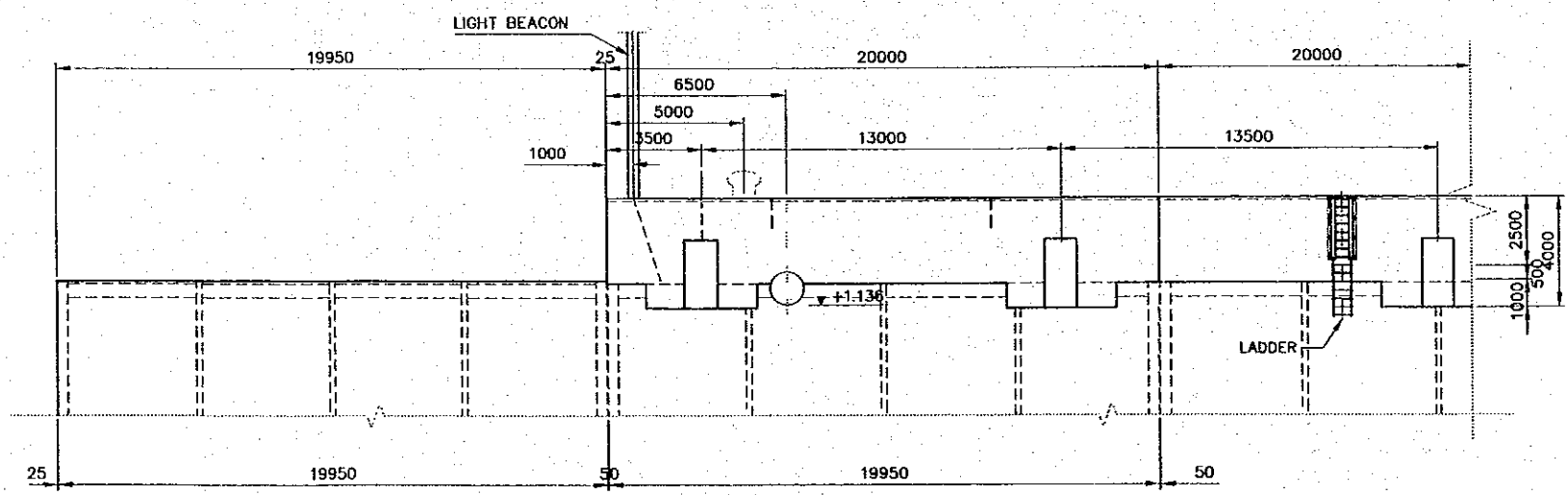
DESIGNED BY :
 CHECKED BY :
 APPROVED BY :

SECTION : QUAYWALL WORK
 SUB-SECTION : CONTAINER AND MULTI-PURPOSE BERTH
 TITLE :
DETAIL OF COPING (2)

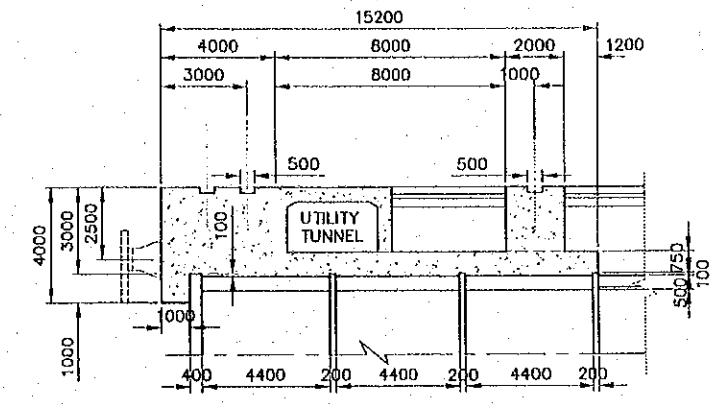
DATE : OCTOBER/2002
 SCALE : 1 : 250
 DRAWING NO. : QW-01-041



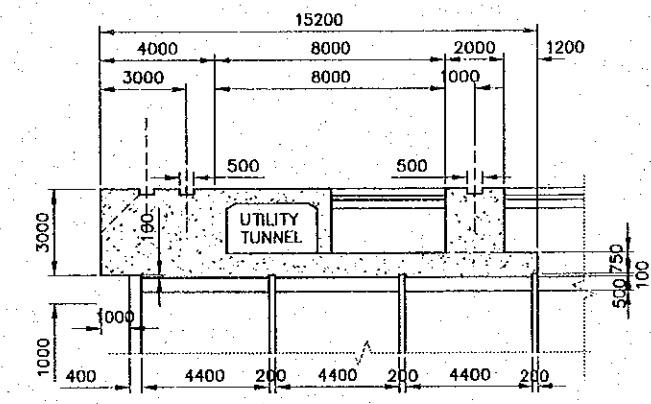
PLAN



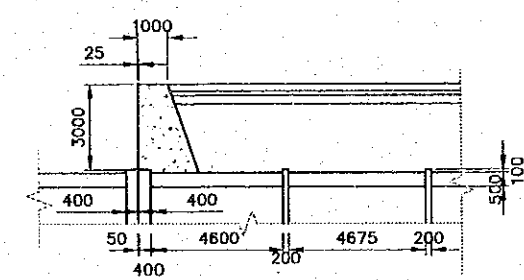
FRONT VIEW



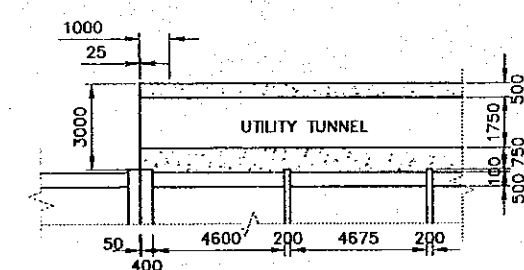
SECTION A-A






SECTION B-B



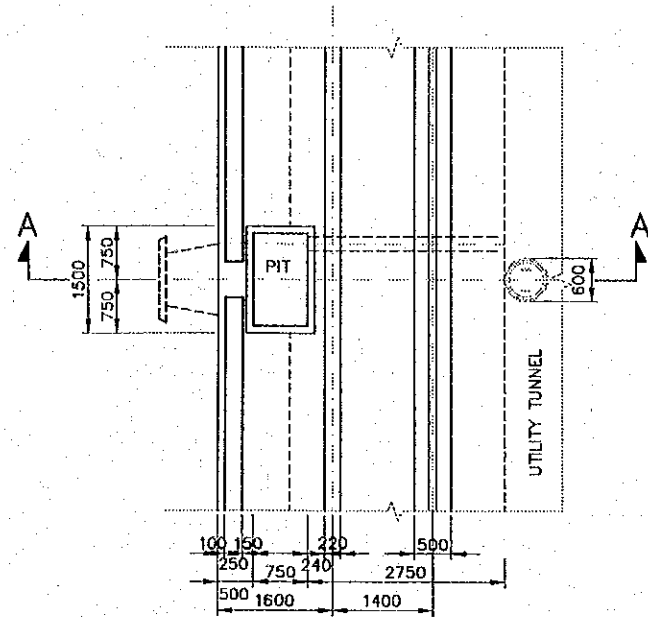
SECTION C-C



SECTION D-D

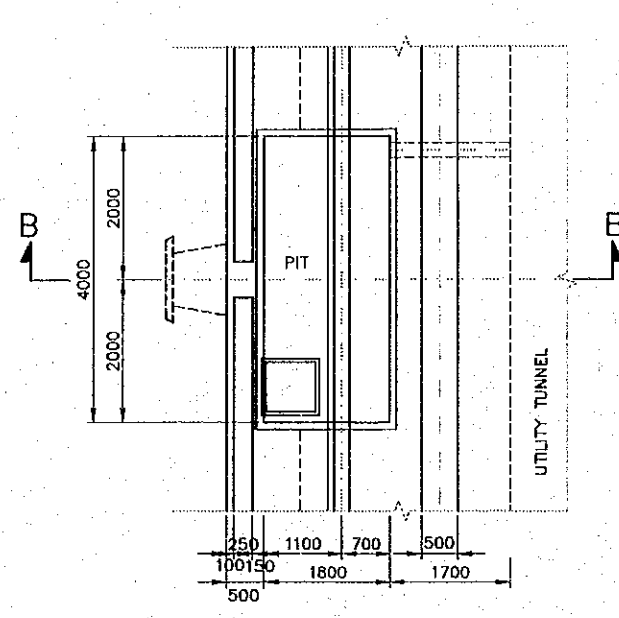
REV. NO.	DATE	COORDINATE	BY	APPROVED	DATE	 JAPAN INTERNATIONAL COOPERATION AGENCY (JICA)	 COMISION EJECUTIVA PORTUARIA AUTONOMA (CEPA)	 NIPPON KOEI CO., LTD.	DESIGNED BY :	SECTION : QUAYWALL WORK	DATE : OCTOBER/2002
									CHECKED BY :		
									APPROVED BY :	TITLE : DETAIL OF COPING (3)	DRAWING NO. : QW-01-042

WATER HYDRANT & FIRE FIGHTING PIT CAISSON
No.3 No.7 No.11 No.15 No.19 No.23 No.27



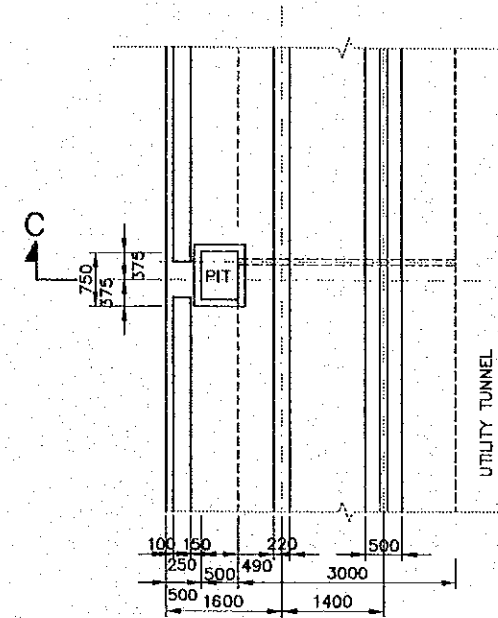
PLAN

ELECTRIC CABLE JUNCTION PIT CAISSON No.12 No.20



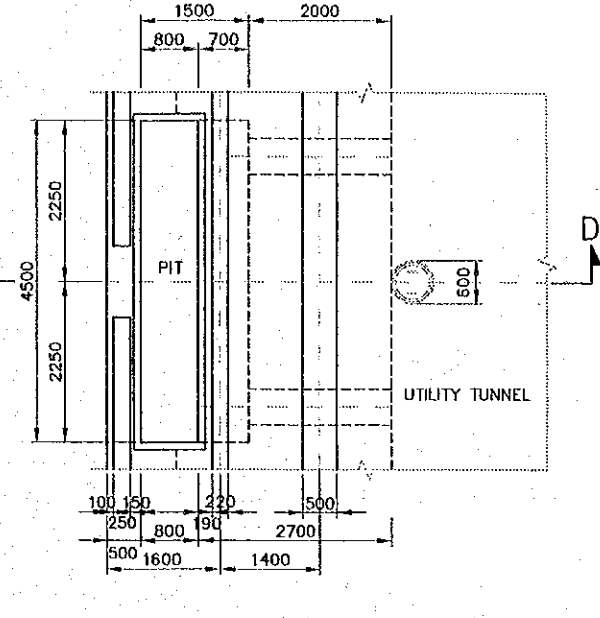
PLAN

ELECTRIC SERVICE PIT CAISSON
No.2 No.14 No.16 No.26 No.28

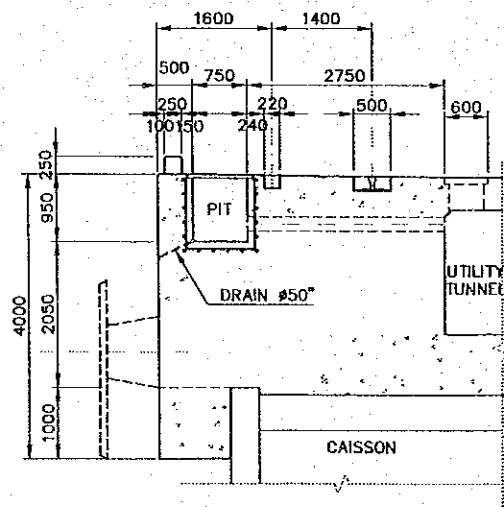


PLAN

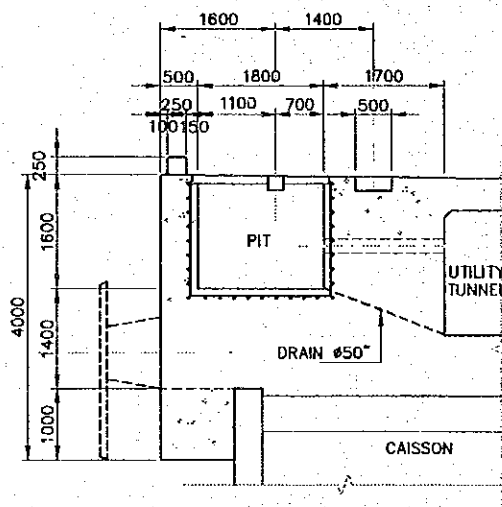
LOADING PIT (MULTI-PURPOSE BERTH)
CAISSON No.21 No.22 No.23 No.24 No.25



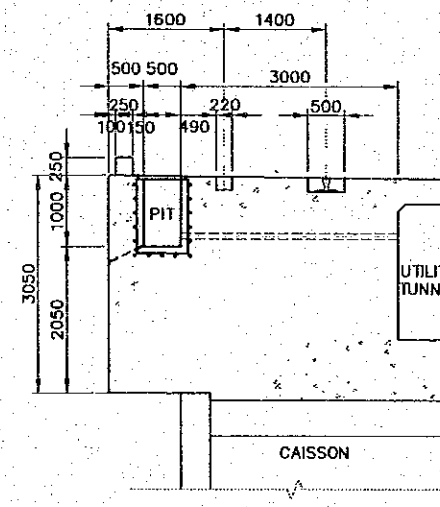
PLAN



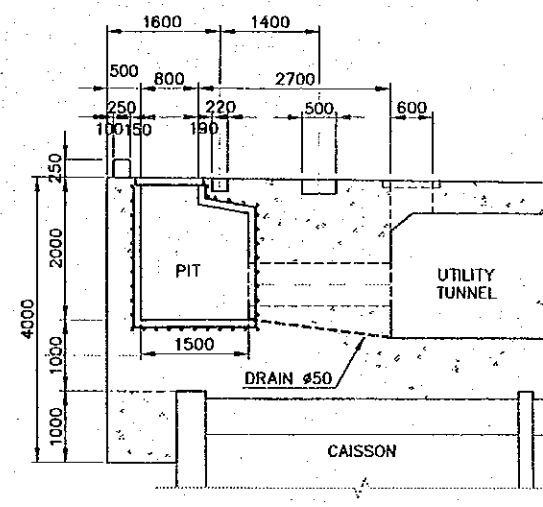
SECTION A-A



SECTION B-B



SECTION C-C



SECTION D-D

NOTES:

- DETAIL OF ELECTRIC SERVICE PIT AND ELECTRIC CABLE JUNCTION IS SHOWN IN EL-01-005
- DETAIL OF WATER HYDRANT FIRE FIGHTING IS SHOWN IN UT-02-010
- DETAIL OF CONNECTING PART BETWEEN PIT AND UTILITY TUNNEL IS ONLY REFERENCE

REV. NO.	DATE	COORDINATE	BY	APPROVED	DATE

JICA
JAPAN INTERNATIONAL
COOPERATION AGENCY
(JICA)

Gpa
COMISION EJECUTIVA
PORTUARIA AUTONOMA
(CEPA)

THE DETAILED DESIGN
ON PORT REACTIVATION PROJECT
IN LA UNION PROVINCE
OF THE REPUBLIC OF EL SALVADOR

NK NIPPON KOEI CO., LTD.

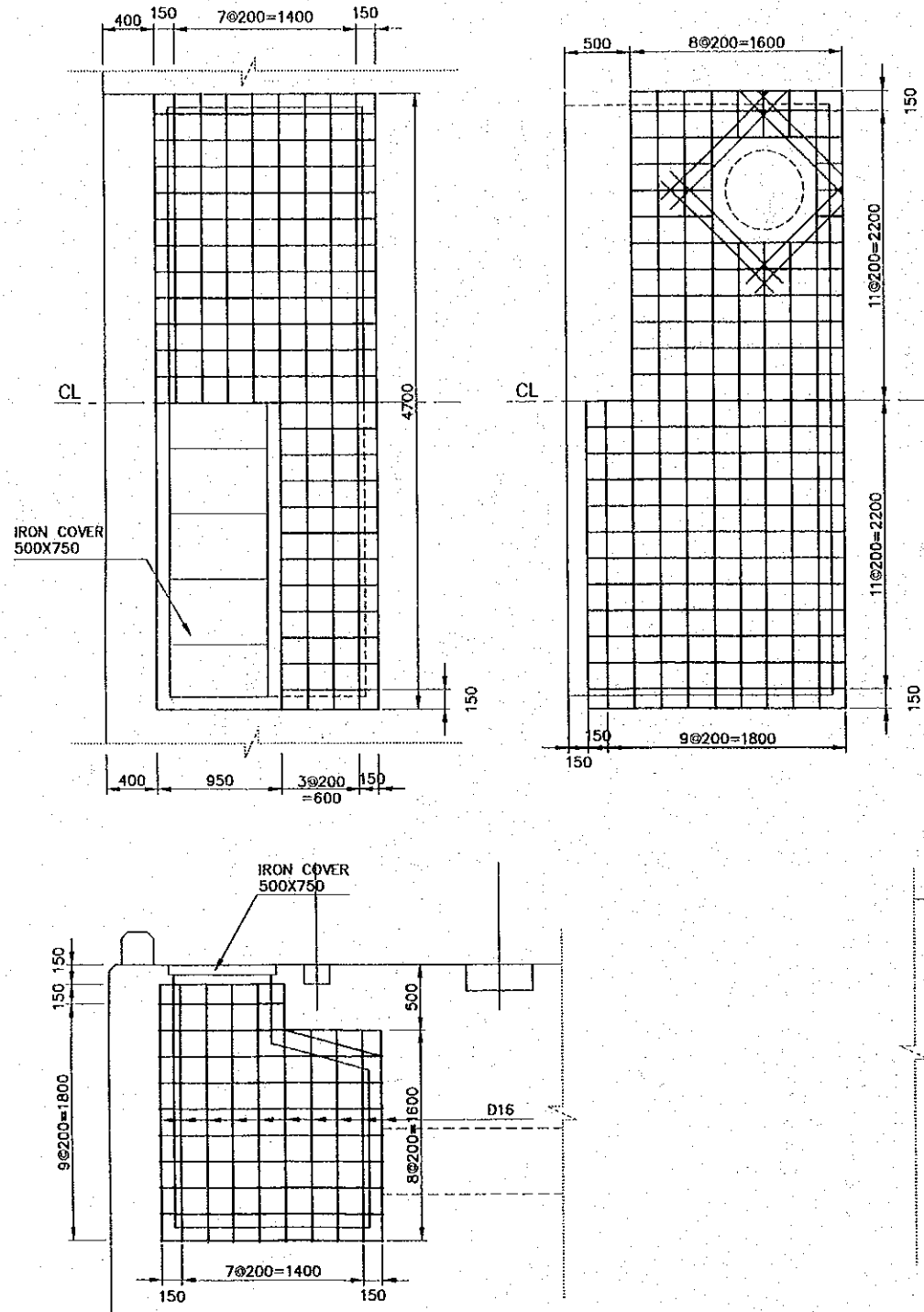
DESIGNED BY :
CHECKED BY :
APPROVED BY :

SECTION : QUAYWALL WORK
SUB-SECTION : CONTAINER AND MULTI-PURPOSE BERTH
TITLE :

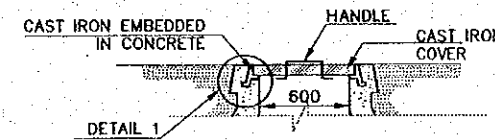
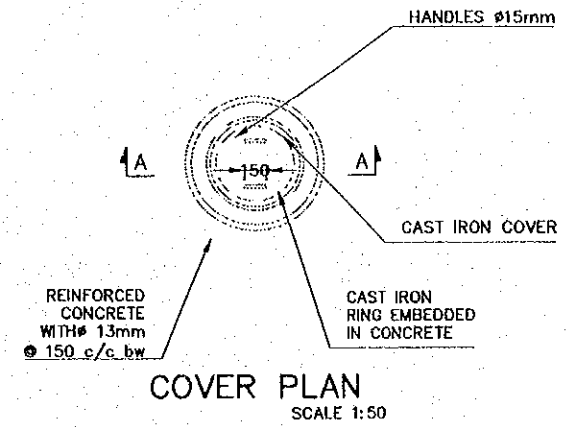
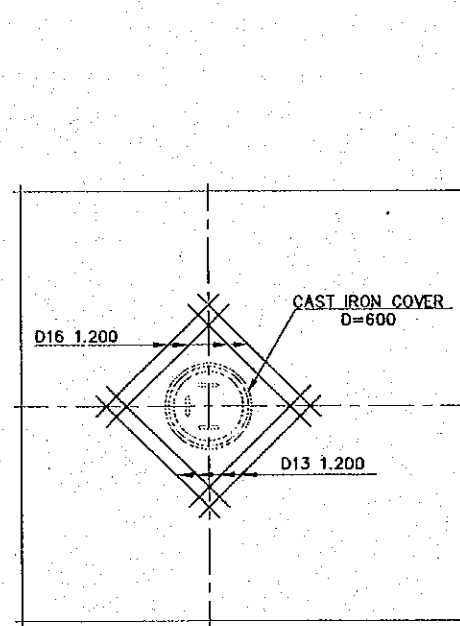
DETAIL OF COPING (4)

DATE : OCTOBER/2002
SCALE : 1 : 100
DRAWING NO. : QW-01-043

REINFORCEMENT OF LOADING PIT
SCALE 1:50

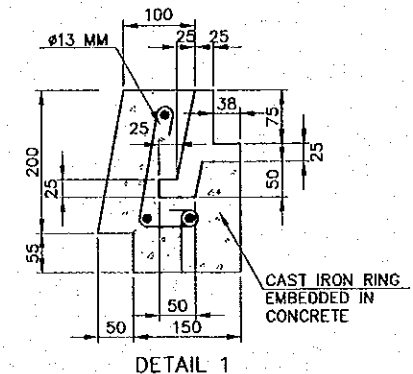


DETAIL OF MANHOLE
SCALE 1:50

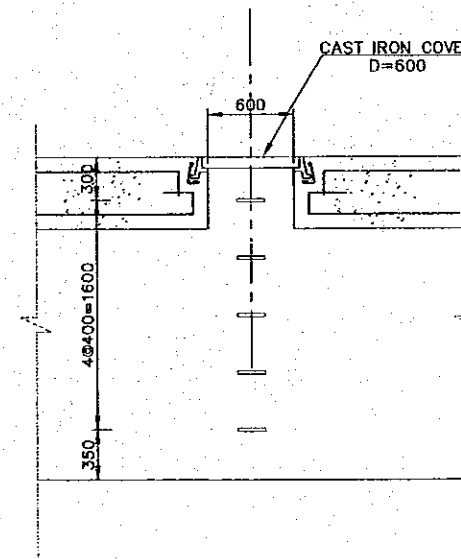
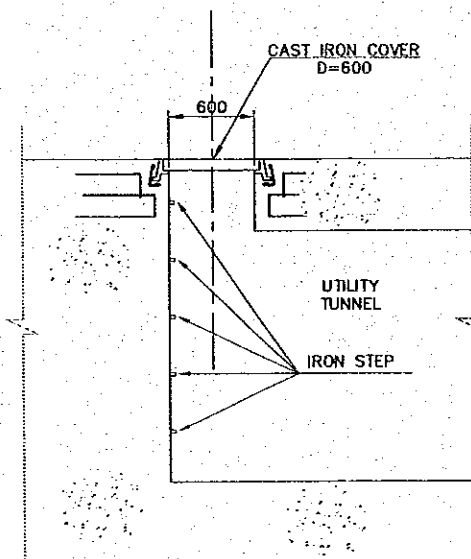


SECTION A-A
SCALE 1:50

MANHOLE FOR VALVES
SCALE 1:10



DETAIL 1
CAST IRON RING
EMBEDDED IN CONCRETE



- NOTES:
- WHEN THE DETAILS OF MULTIPURPOSE BERTH LOADING WAY ARE DECIDED, CONTRACTOR SHALL MAKE SHOP DRAWINGS.
 - DETAIL OF CONNECTING PART BETWEEN PIT AND UTILITY TUNNEL IS ONLY REFERENCE

REV. NO.	DATE	COORDINATE	BY	APPROVED	DATE

JICA
JAPAN INTERNATIONAL
COOPERATION AGENCY
(JICA)

Cepa
COMISION EJECUTIVA
PORTUARIA AUTONOMA
(CEPA)

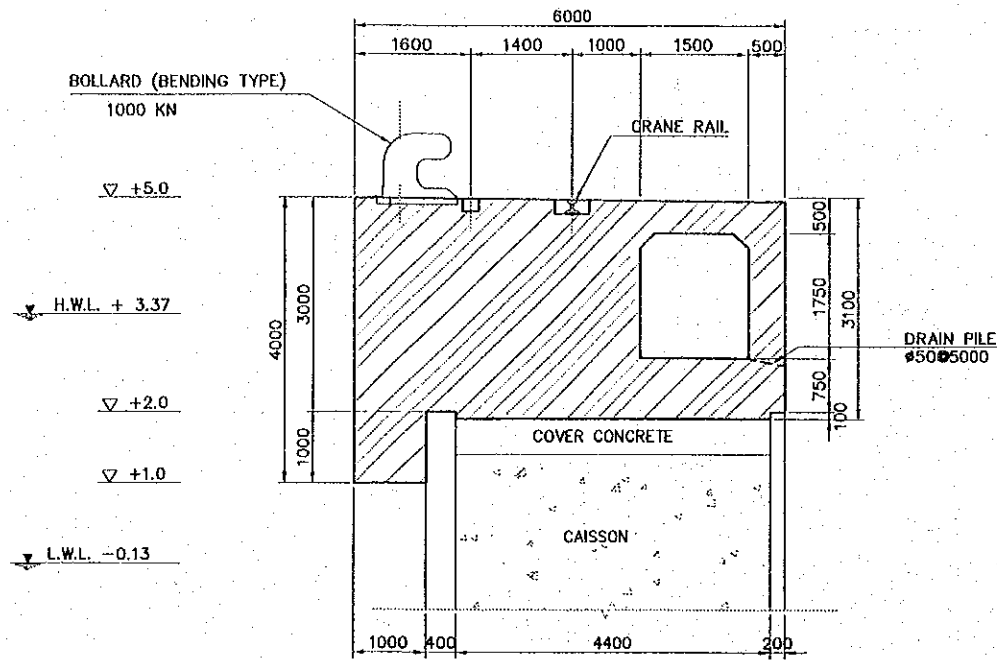
THE DETAILED DESIGN
ON PORT REACTIVATION PROJECT
IN LA UNION PROVINCE
OF THE REPUBLIC OF EL SALVADOR

NK NIPPON KOEI CO., LTD.

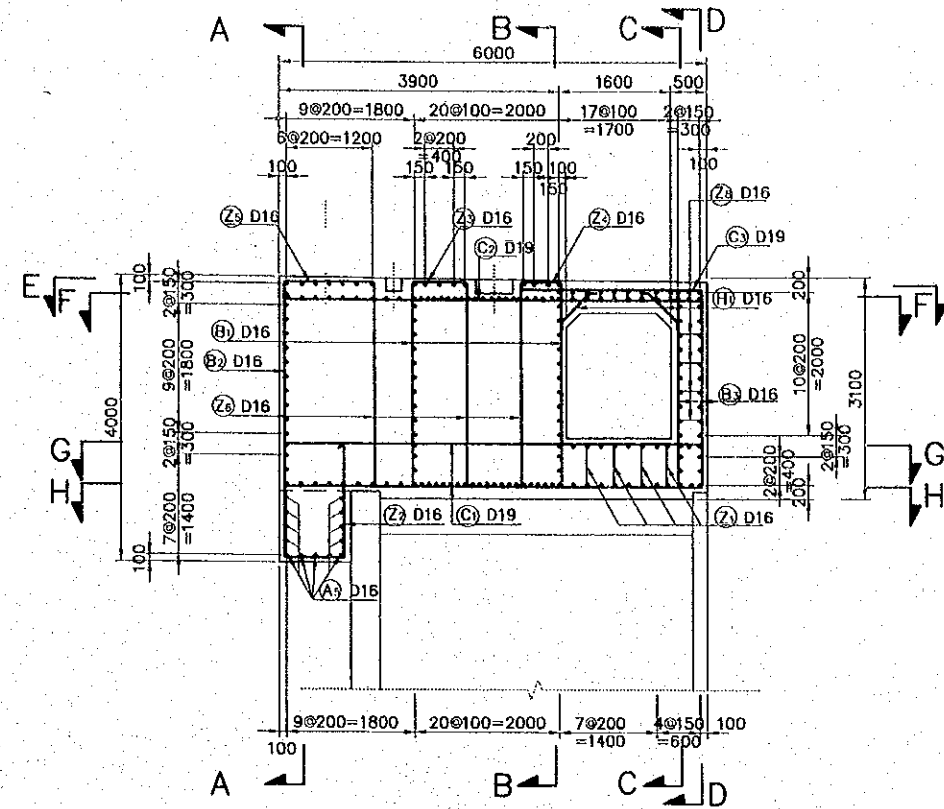
DESIGNED BY :
CHECKED BY :
APPROVED BY :

SECTION : QUAYWALL WORK
SUB-SECTION : CONTAINER AND MULTI-PURPOSE BERTH
TITLE :
DETAIL OF IRON COVER
& UNDER HUNG

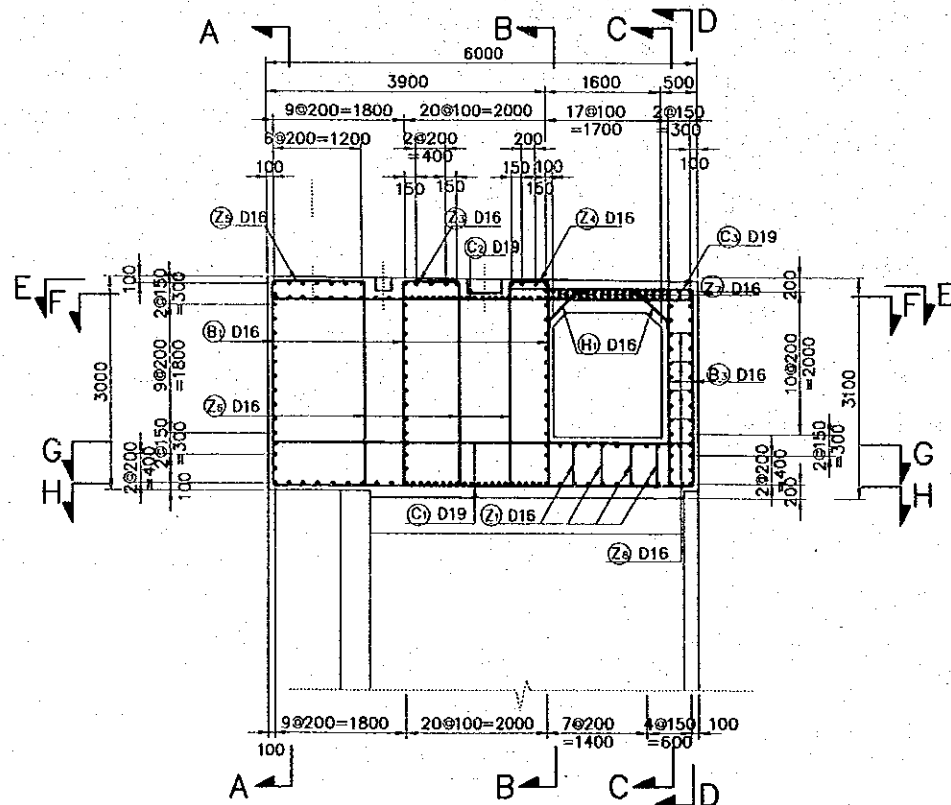
DATE : OCTOBER/2002
SCALE : AS INDICATED
DRAWING NO. : QW-01-044



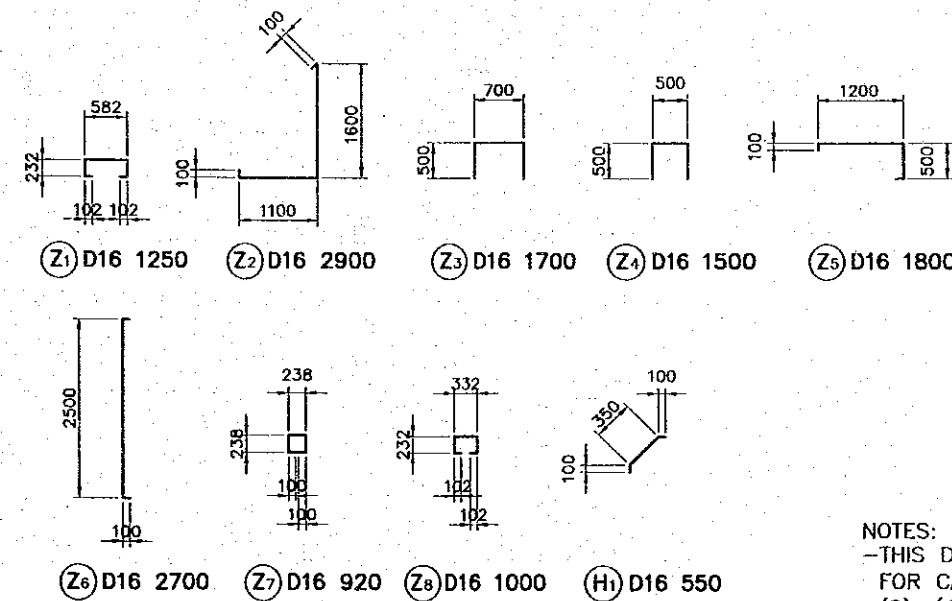
TYPICAL SECTION



SECTION J-J

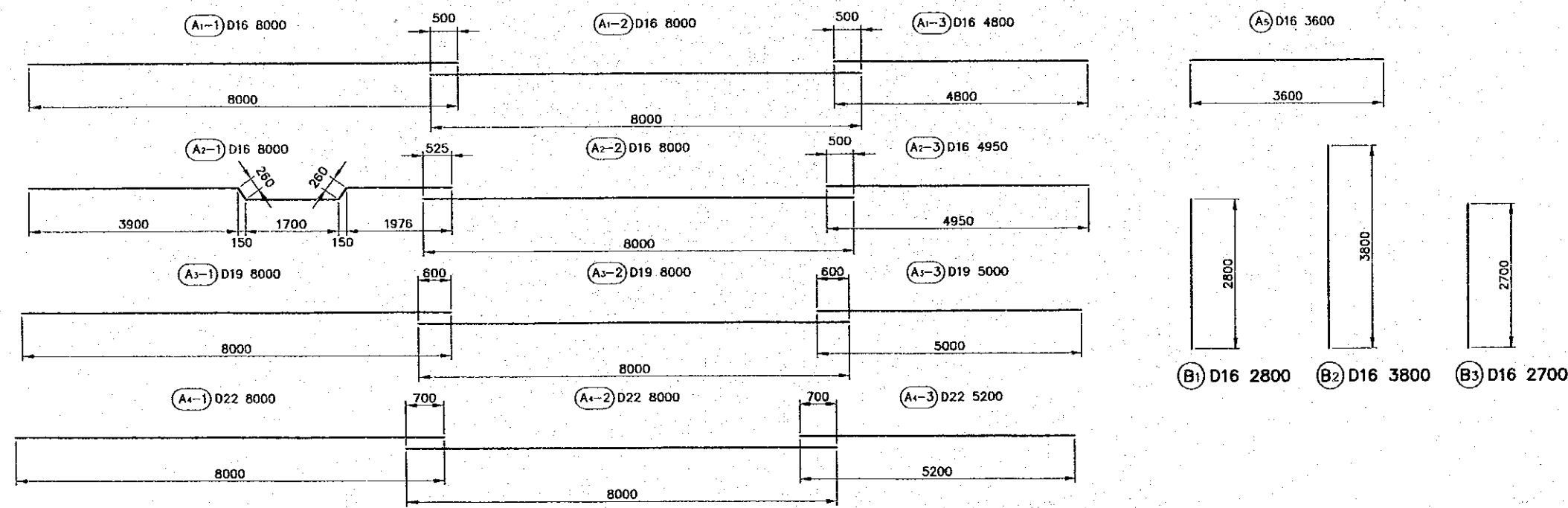
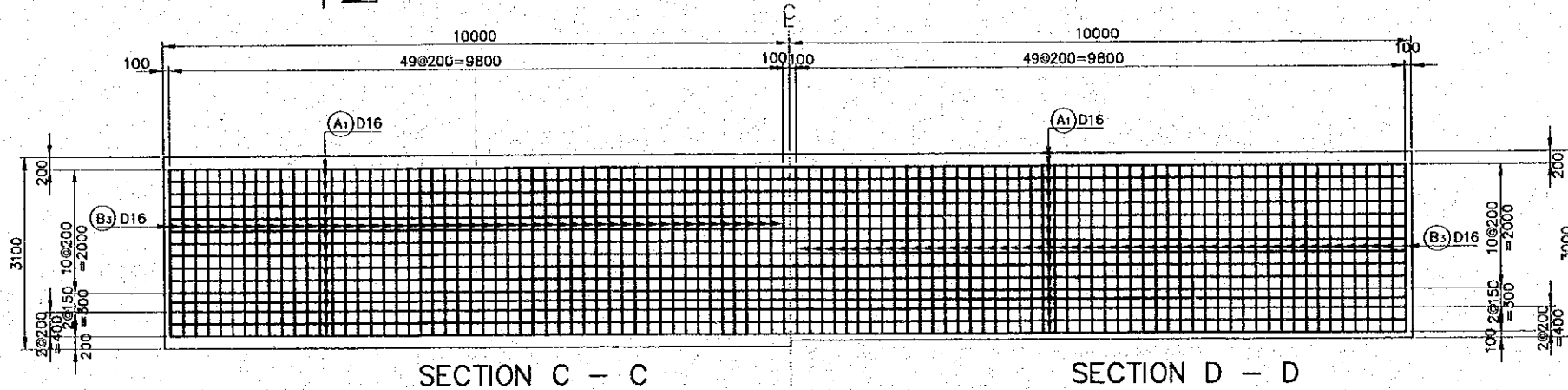
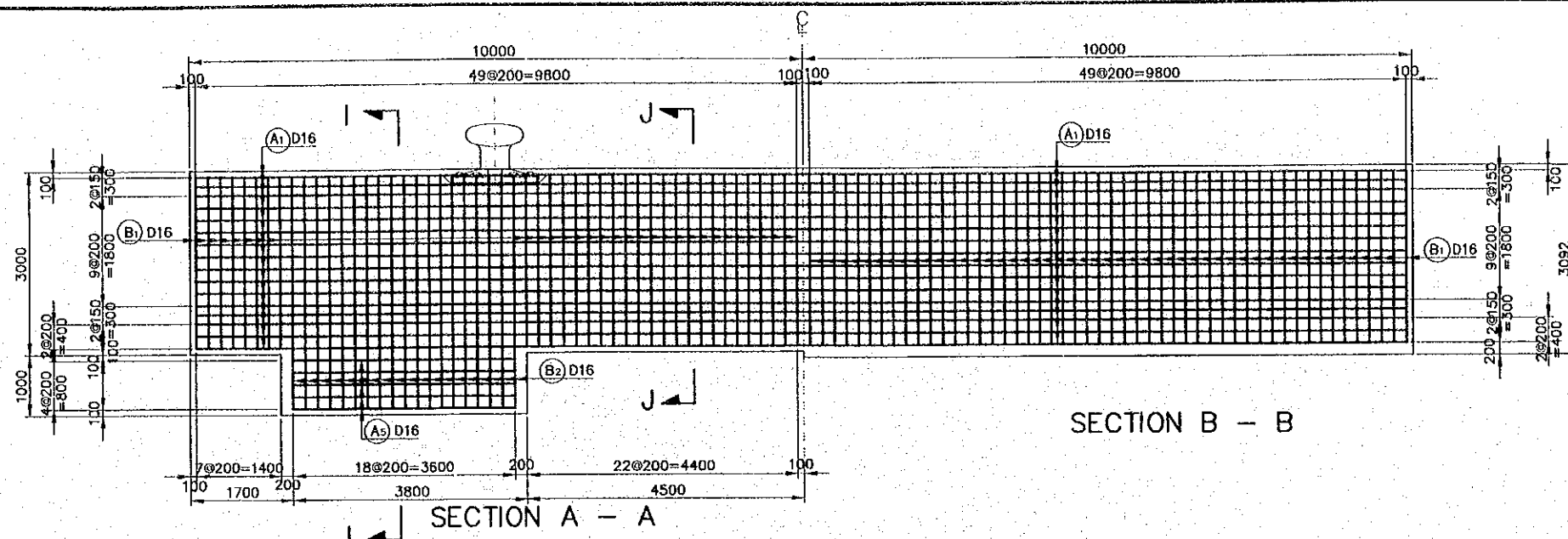


SECTION I-I



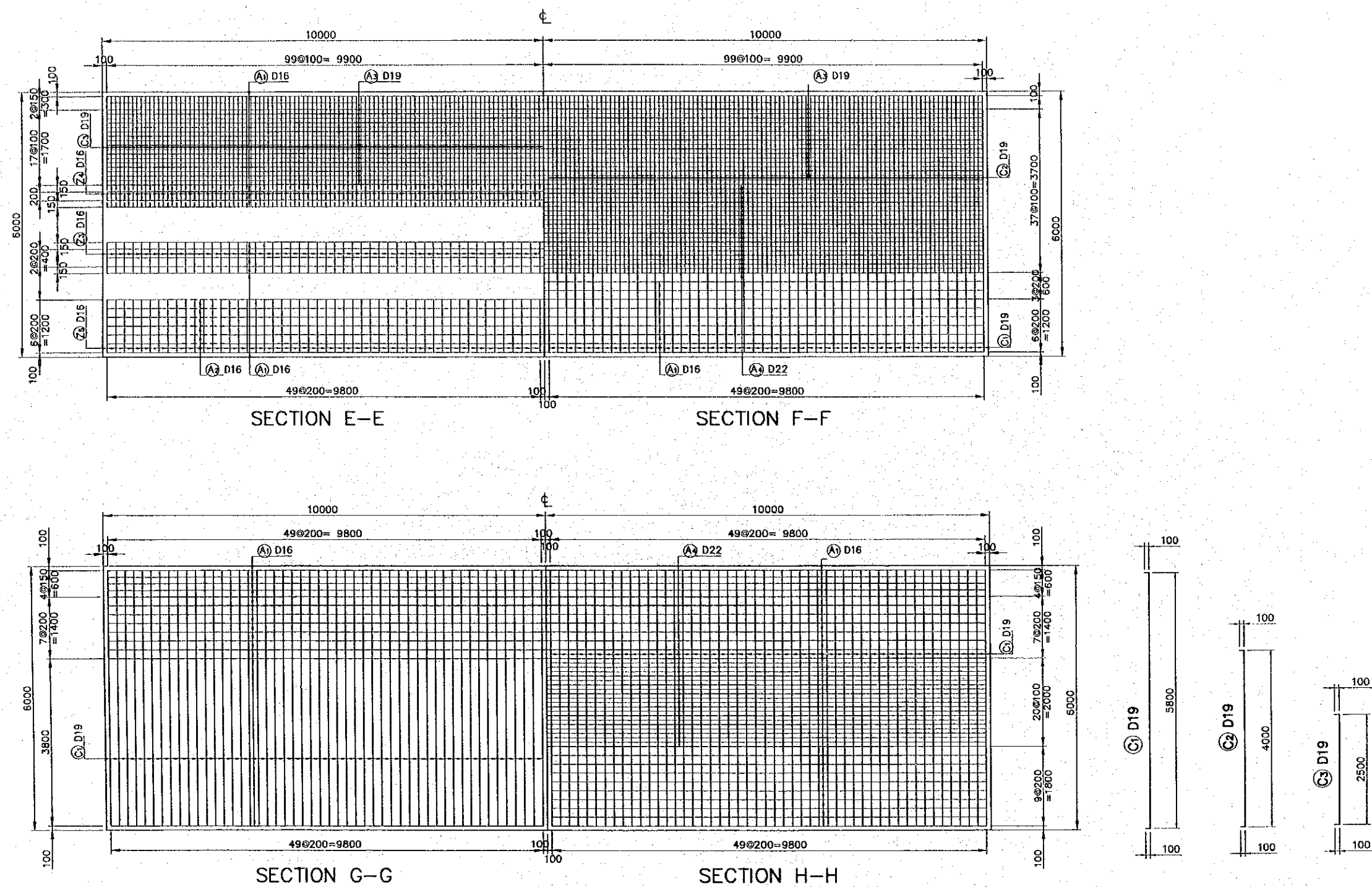
NOTES:
 -THIS DRAWING IS APPLIED FOR CAISSON No. (2), (4), (8), (10) OF CONTAINER BERTH
 -THE SHOP DRAWING FOR OTHER COPING SHALL BE PREPARED BY THE CONTRACTOR

REV. NO. DATE		COORDINATE		BY APPROVED DATE		JICA JAPAN INTERNATIONAL COOPERATION AGENCY (JICA)	COMISION EJECUTIVA PORTUARIA AUTONOMA (CEPA)	THE DETAILED DESIGN ON PORT REACTIVATION PROJECT IN LA UNION PROVINCE OF THE REPUBLIC OF EL SALVADOR NIPPON KOEI CO., LTD.	DESIGNED BY :	SECTION : QUAYWALL WORK	DATE : OCTOBER/2002
									CHECKED BY :	SUB-SECTION : CONTAINER AND MULTI-PURPOSE BERTH	SCALE : 1 : 100
								APPROVED BY :	TITLE : REINFORCEMENT OF COPING CONCRETE (1) (CONTAINER)	DRAWING NO. : QW-01-045	



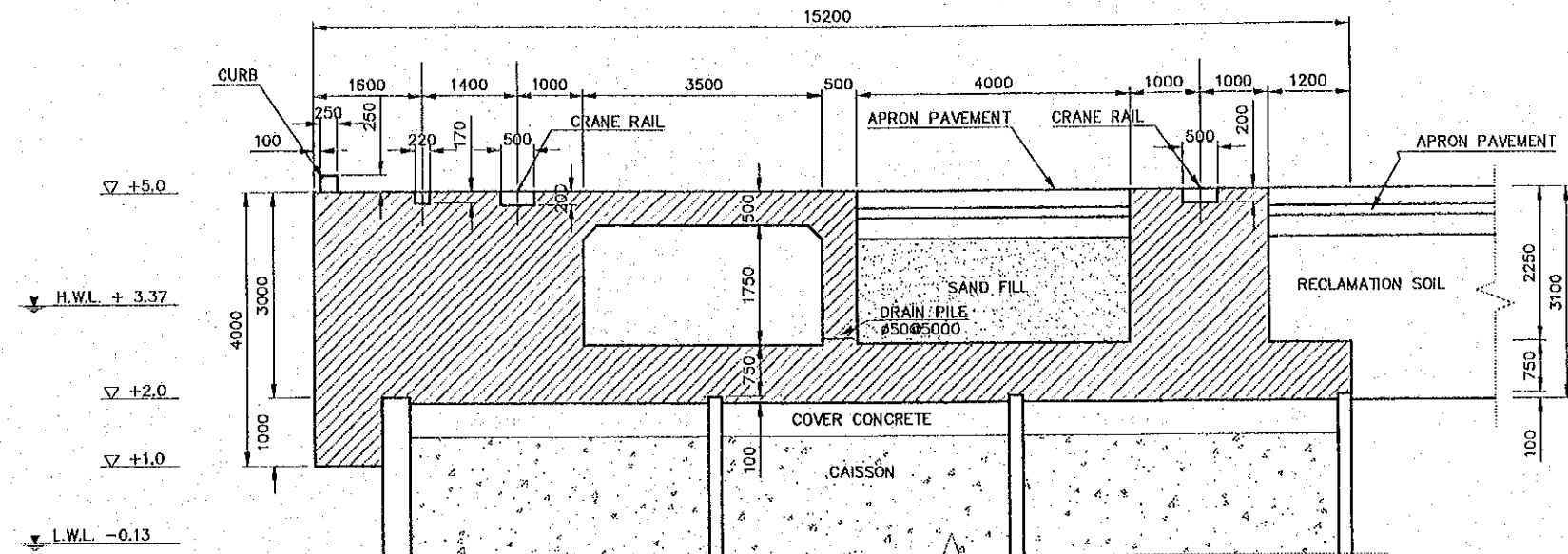
NOTES:
 - THIS DRAWING IS APPLIED FOR CAISSONS No. (2), (4), (8), (10) OF CONTAINER BERTH
 - THE SHOP DRAWING FOR OTHER COPING SHALL BE PREPARED BY THE CONTRACTOR
 - LAPPING OF BAR SHALL BE MORE THAN 30 TIMES OF LARGER DIAMETER
 - BAR BENDING SCHEDULE IS REFERENCE ONLY

REV. NO.	DATE	COORDINATE	BY	APPROVED	DATE	JAPAN INTERNATIONAL COOPERATION AGENCY (JICA) COMISION EJECUTIVA PORTUARIA AUTONOMA (CEPA)	THE DETAILED DESIGN ON PORT REACTIVATION PROJECT IN LA UNION PROVINCE OF THE REPUBLIC OF EL SALVADOR NIPPON KOEI CO., LTD.	DESIGNED BY :	SECTION :	DATE :
								CHECKED BY :	SUB-SECTION :	OCTOBER/2002
								APPROVED BY :	TITLE :	SCALE : 1 : 100
								QUAYWALL WORK CONTAINER AND MULTI-PURPOSE BERTH REINFORCEMENT OF COPING CONCRETE (2) (CONTAINER)		DRAWING NO. : QW-01-046

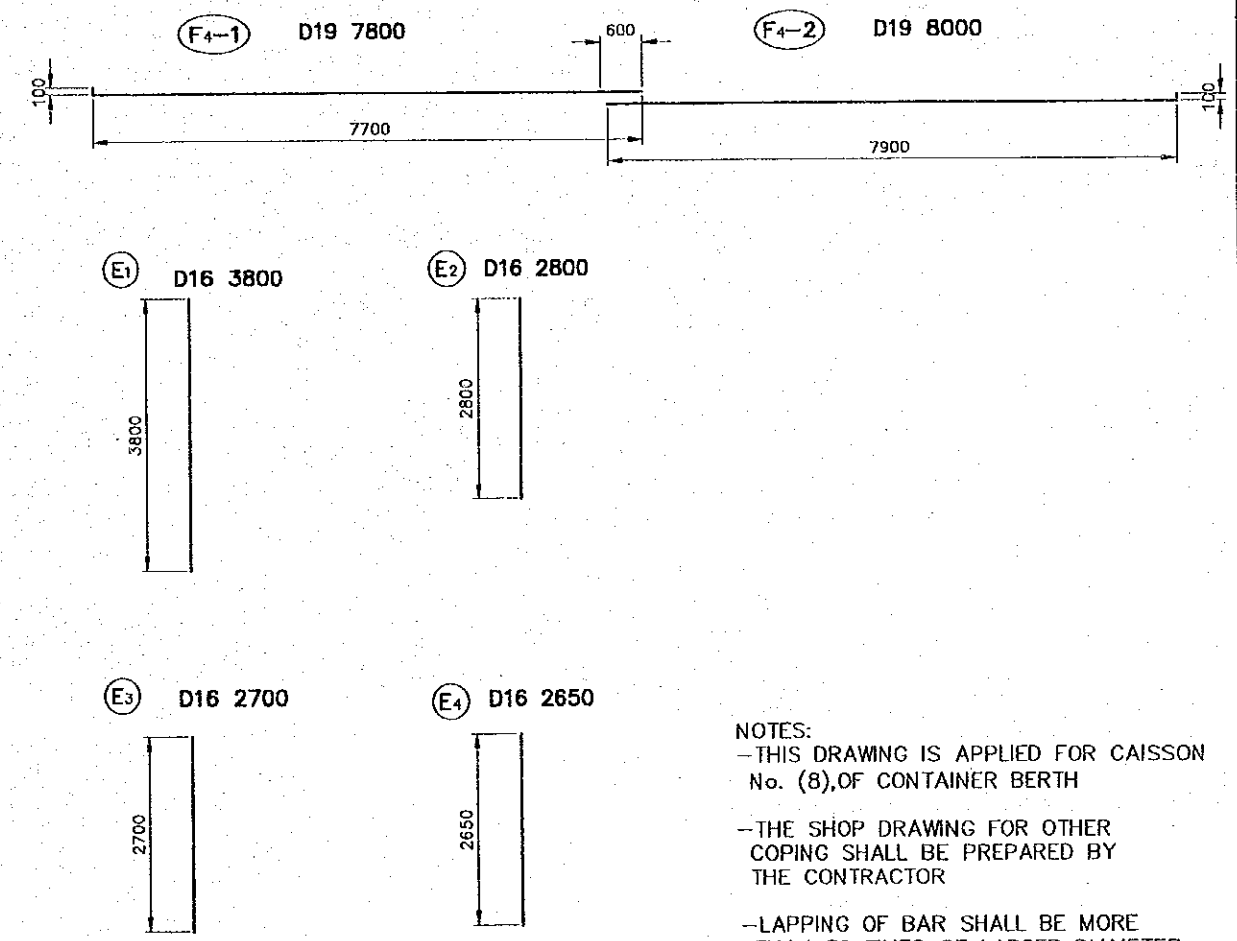
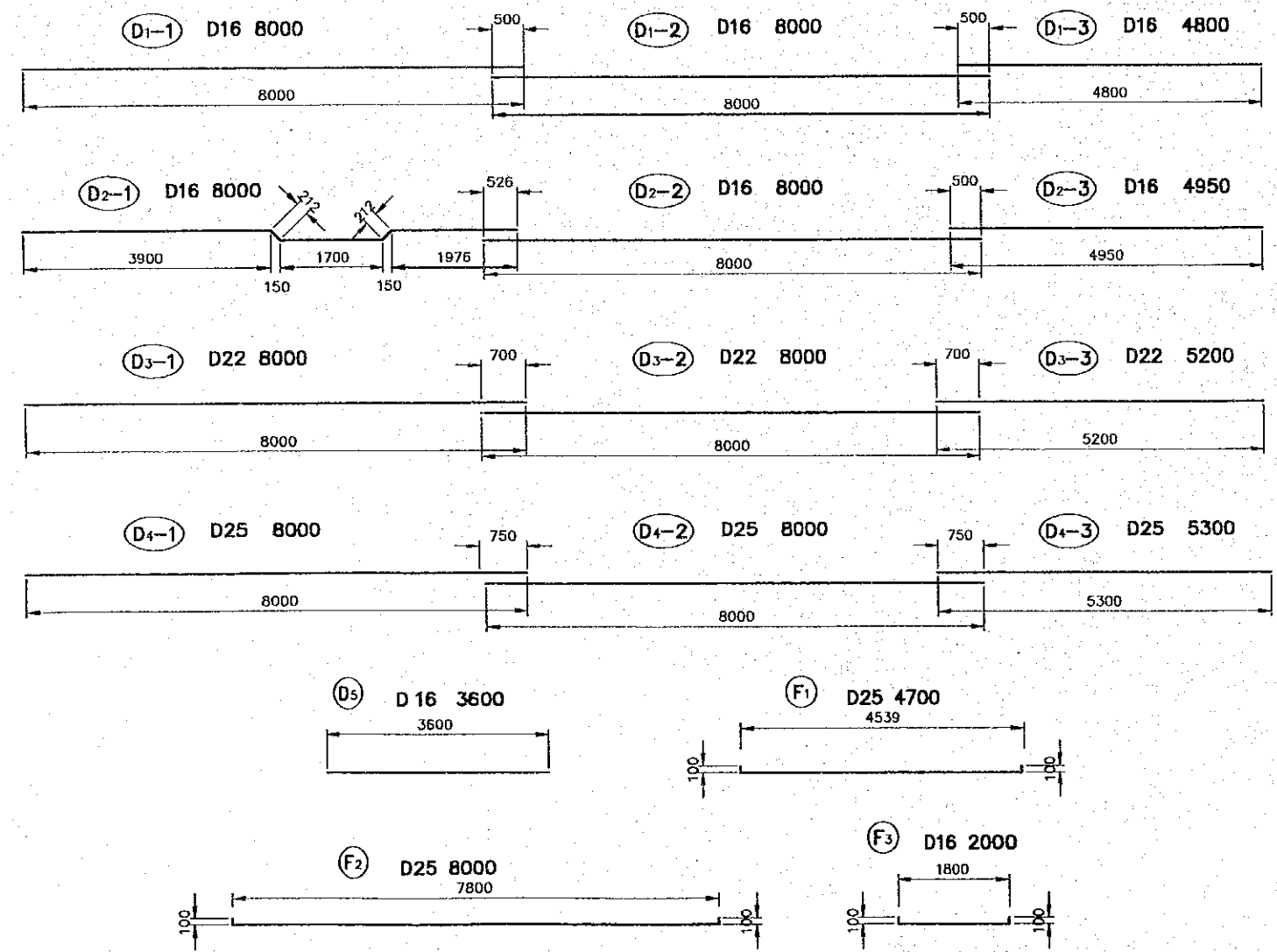


NOTES:
 -THIS DRAWING IS APPLIED FOR CAISSONS No. (2), (4), (8), (10) OF CONTAINER BERTH
 -THE SHOP DRAWING FOR OTHER COPING SHALL BE PREPARED BY THE CONTRACTOR

REV. NO.	DATE	COORDINATE	BY	APPROVED	DATE	JAPAN INTERNATIONAL COOPERATION AGENCY (JICA) COMISION EJECUTIVA PORTUARIA AUTONOMA (CEPA)	THE DETAILED DESIGN ON PORT REACTIVATION PROJECT IN LA UNION PROVINCE OF THE REPUBLIC OF EL SALVADOR NIPPON KOEI CO., LTD.	DESIGNED BY :	SECTION : QUAYWALL WORK	DATE : OCTOBER/2002
								CHECKED BY :	SUB-SECTION : CONTAINER AND MULTI-PURPOSE BERTH	SCALE : 1 : 100
								APPROVED BY :	TITLE : REINFORCEMENT OF COPING CONCRETE (3) (CONTAINER)	DRAWING NO. : QW-01-047

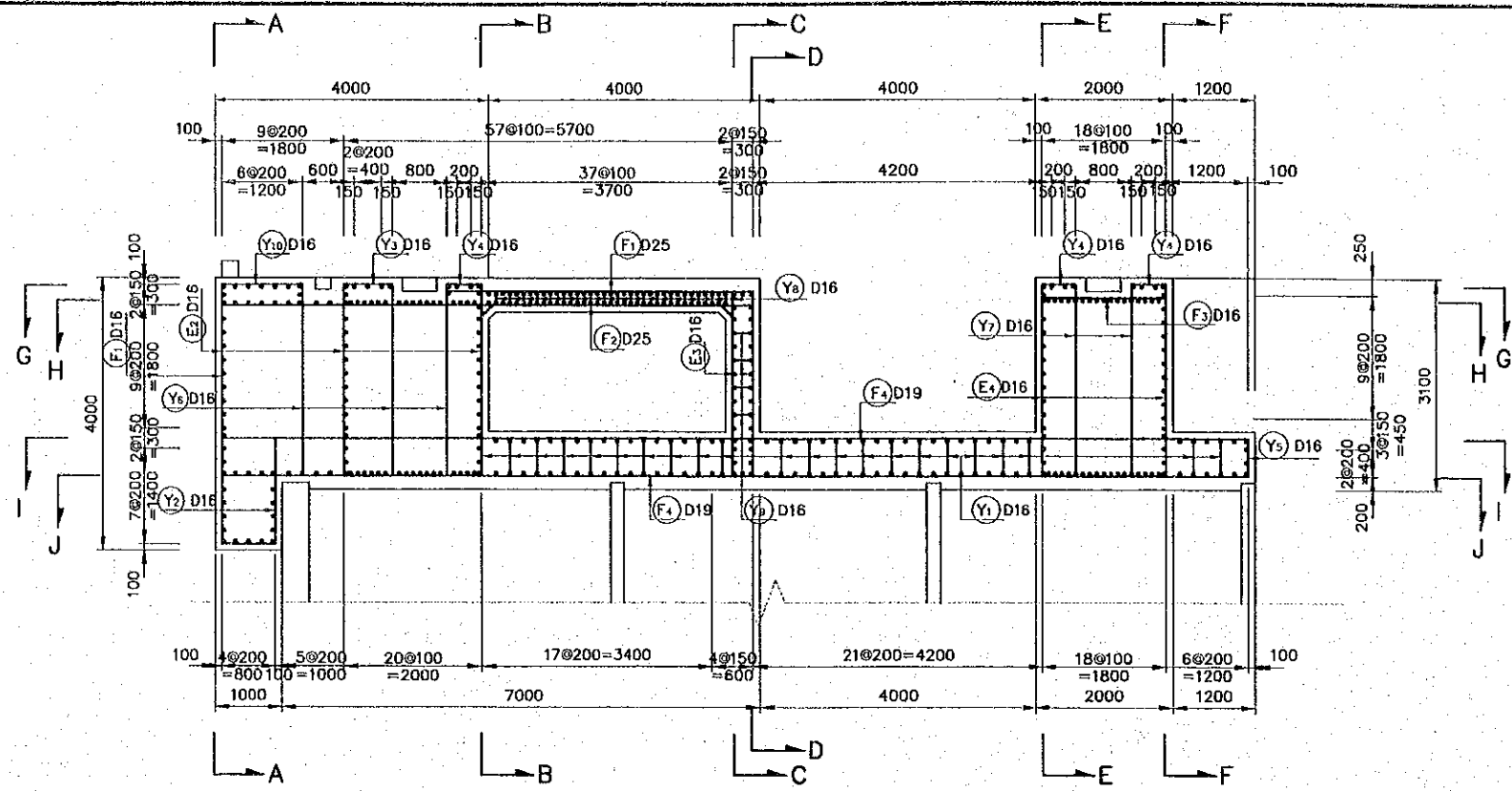


TYPICAL SECTION

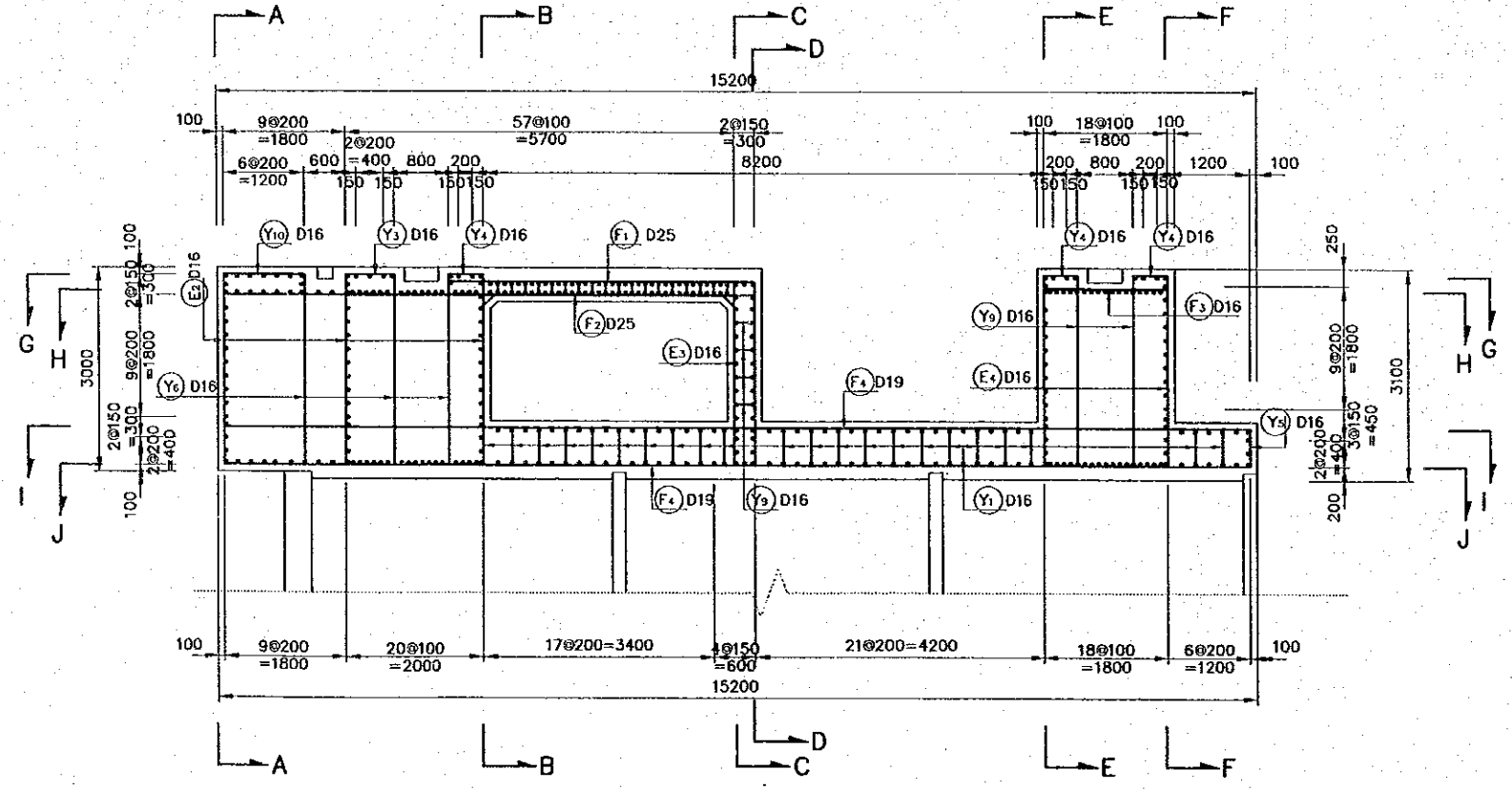


NOTES:
 - THIS DRAWING IS APPLIED FOR CAISSON No. (8), OF CONTAINER BERTH
 - THE SHOP DRAWING FOR OTHER COPING SHALL BE PREPARED BY THE CONTRACTOR
 - LAPPING OF BAR SHALL BE MORE THAN 30 TIMES OF LARGER DIAMETER
 - BAR BENDING SCHEDULE IS REFERENCE ONLY

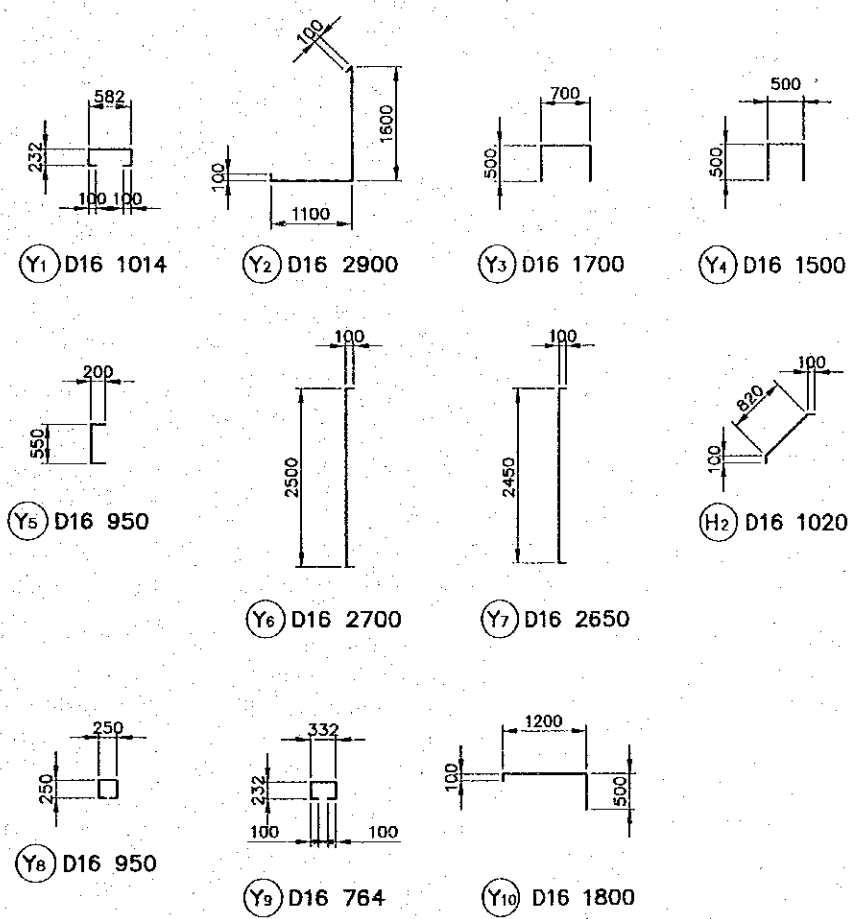
REV. NO.	DATE	COORDINATE	BY	APPROVED	DATE	JAPAN INTERNATIONAL COOPERATION AGENCY (JICA) COMISION EJECUTIVA PORTUARIA AUTONOMA (CEPA)	THE DETAILED DESIGN ON PORT REACTIVATION PROJECT IN LA UNION PROVINCE OF THE REPUBLIC OF EL SALVADOR NIPPON KOEI CO., LTD.	DESIGNED BY :	SECTION : QUAYWALL WORK	DATE : OCTOBER/2002
								CHECKED BY :	SUB-SECTION : CONTAINER AND MULTI-PURPOSE BERTH	SCALE : 1:100
								APPROVED BY :	TITLE : REINFORCEMENT OF COPING CONCRETE (4) (MULTI-PURPOSE)	DRAWING NO. : QW-01-048



SECTION K-K

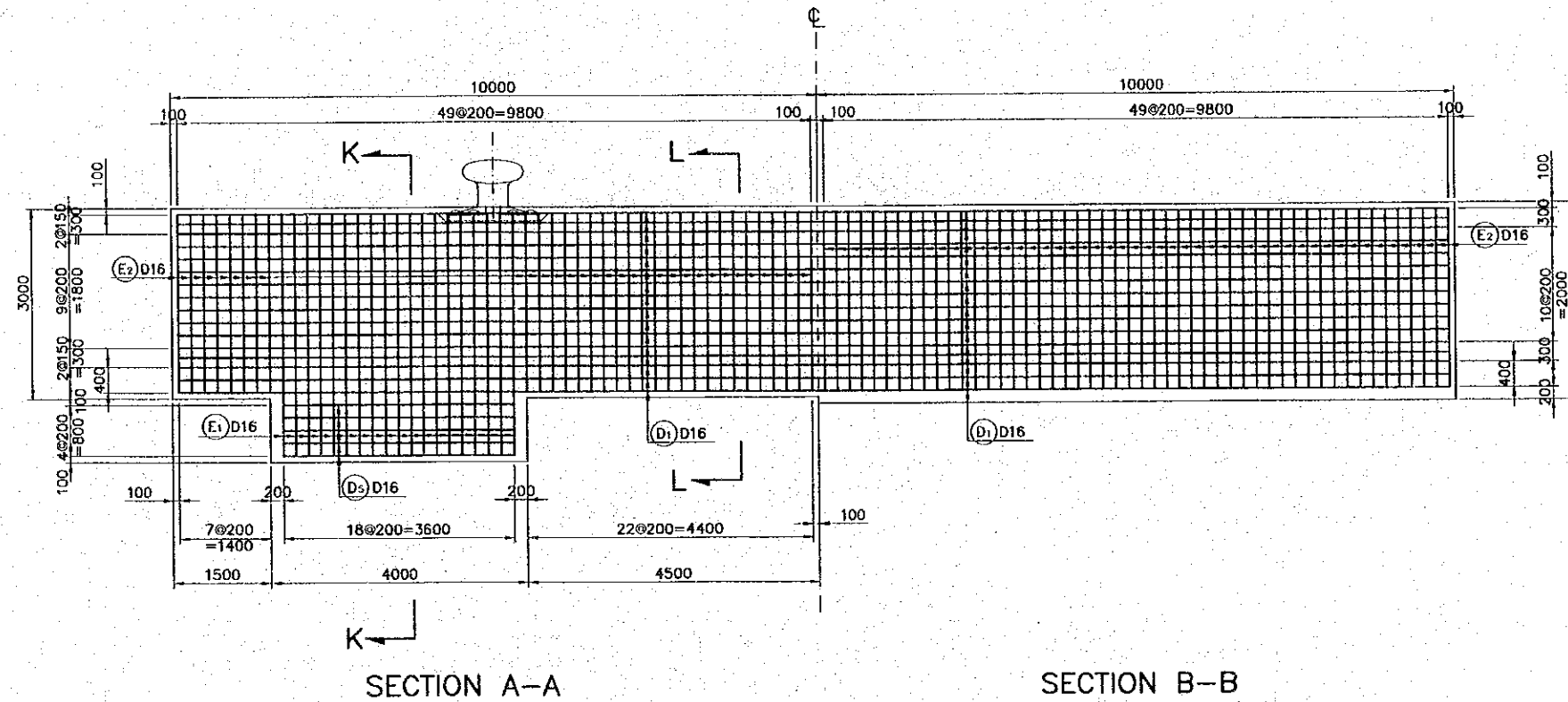


SECTION L-L



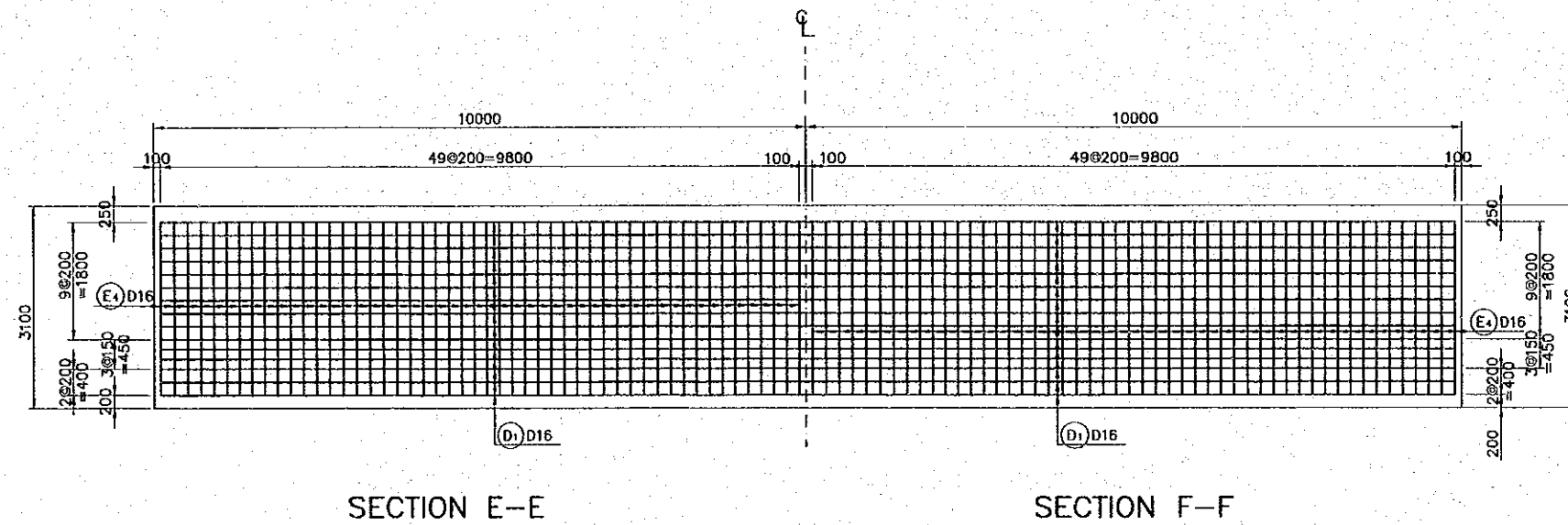
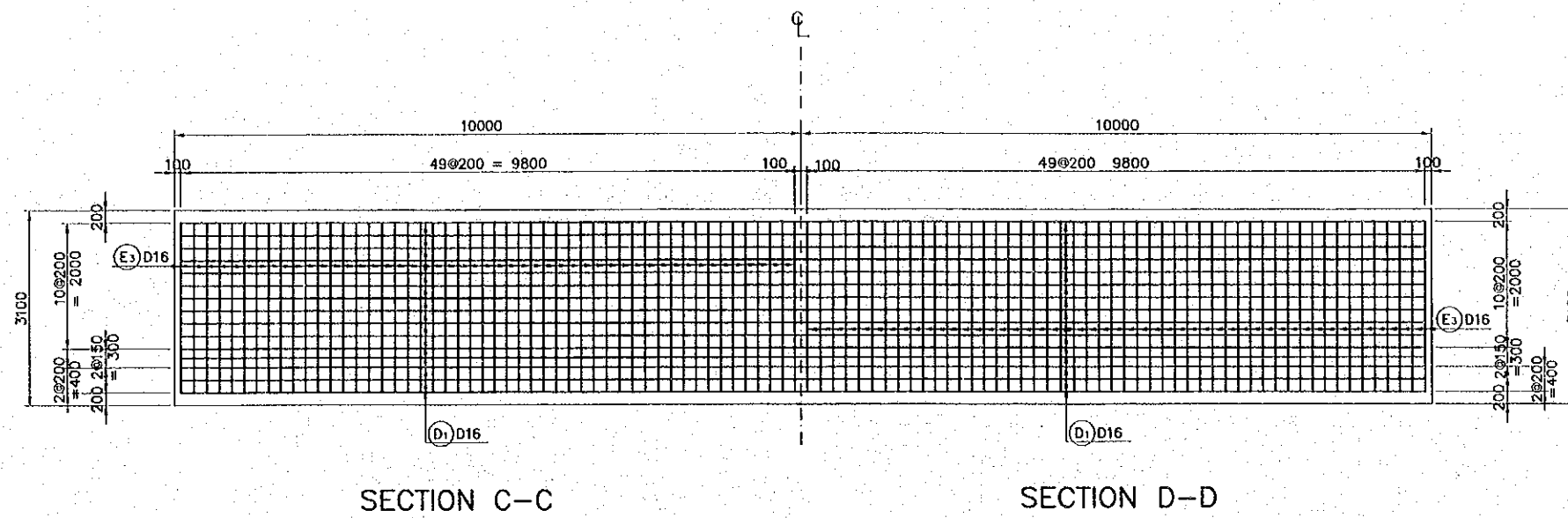
NOTES:
 -THIS DRAWING IS APPLIED FOR CAISSON No. (8), OF CONTAINER BERTH
 -THE SHOP DRAWING FOR OTHER COPING SHALL BE PREPARED BY THE CONTRACTOR

REV. NO.	DATE	COORDINATE	BY	APPROVED	DATE	JAPAN INTERNATIONAL COOPERATION AGENCY (JICA) COMISION EJECUTIVA PORTUARIA AUTONOMA (CEPA)	THE DETAILED DESIGN ON PORT REACTIVATION PROJECT IN LA UNION PROVINCE OF THE REPUBLIC OF EL SALVADOR NIPPON KOEI CO., LTD.	DESIGNED BY :	SECTION : QUAYWALL WORK	DATE : OCTOBER/2002
								CHECKED BY :	SUB-SECTION : CONTAINER AND MULTI-PURPOSE BERTH	SCALE : 1 : 100
								APPROVED BY :	TITLE : REINFORCEMENT OF COPING CONCRETE (5) (MULTI-PURPOSE)	DRAWING NO. : QW-01-049






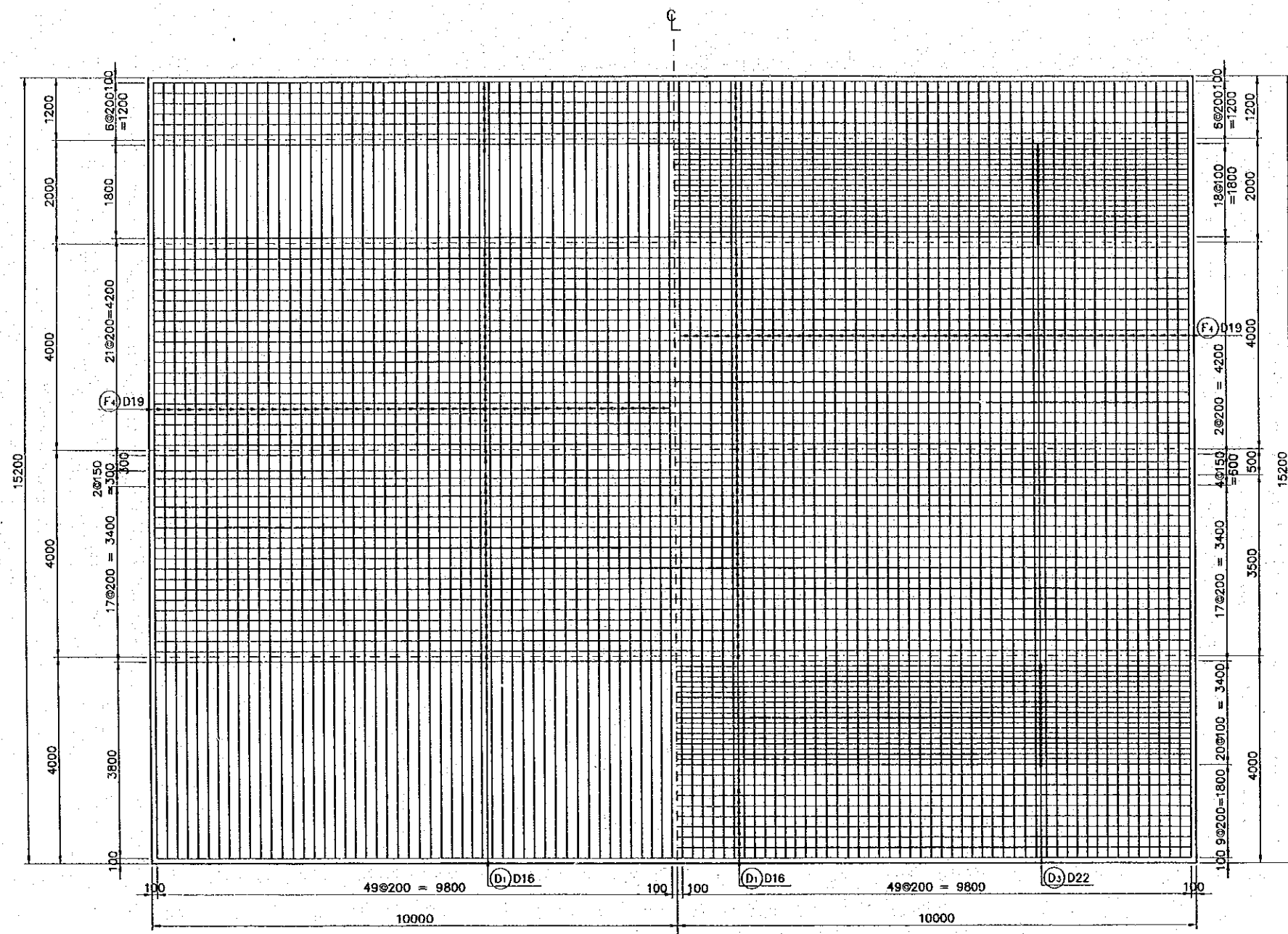
NOTES:
 -THIS DRAWING IS APPLIED FOR CAISSON No. (8), OF CONTAINER BERTH
 -THE SHOP DRAWING FOR OTHER COPING SHALL BE PREPARED BY THE CONTRACTOR

REV. NO.	DATE	COORDINATE	BY	APPROVED	DATE	JICA JAPAN INTERNATIONAL COOPERATION AGENCY (JICA)	COMISION EJECUTIVA PORTUARIA AUTONOMA (CEPA)	THE DETAILED DESIGN ON PORT REACTIVATION PROJECT IN LA UNION PROVINCE OF THE REPUBLIC OF EL SALVADOR NIPPON KOEI CO., LTD.	DESIGNED BY :	SECTION : QUAYWALL WORK	DATE : OCTOBER/2002
									CHECKED BY :	SUB-SECTION : CONTAINER AND MULTI-PURPOSE BERTH	SCALE : 1 : 100
								APPROVED BY :	TITLE : REINFORCEMENT OF COPING CONCRETE (6) (MULTI-PURPOSE)	DRAWING NO. : QW-01-050	



NOTES:
 -THIS DRAWING IS APPLIED FOR CAISSON No. (8), OF CONTAINER BERTH
 -THE SHOP DRAWING FOR OTHER COPING SHALL BE PREPARED BY THE CONTRACTOR

REV. NO.	DATE	COORDINATE	BY	APPROVED	DATE	 JICA JAPAN INTERNATIONAL COOPERATION AGENCY (JICA)	 CEPA COMISION EJECUTIVA PORTUARIA AUTONOMA (CEPA)	THE DETAILED DESIGN ON PORT REACTIVATION PROJECT IN LA UNION PROVINCE OF THE REPUBLIC OF EL SALVADOR	 NIPPON KOEI CO., LTD.	DESIGNED BY :	SECTION : QUAYWALL WORK	DATE : OCTOBER/2002
										CHECKED BY :		
										APPROVED BY :	TITLE : REINFORCEMENT OF COPING CONCRETE (7) (MULTI-PURPOSE)	DRAWING NO. : QW-01-051

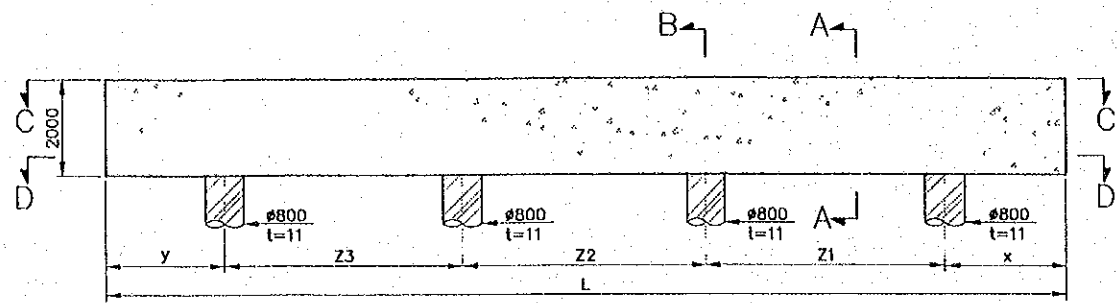


SECTION I-I

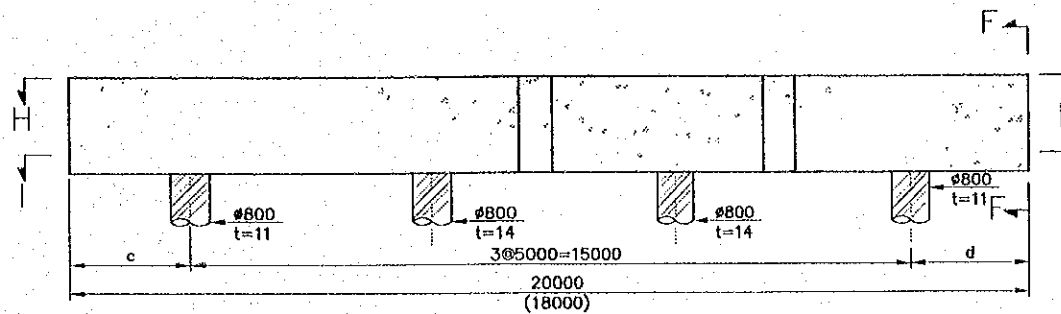
SECTION J-J

NOTES:
 -THIS DRAWING IS APPLIED FOR CAISSON No. (8), OF CONTAINER BERTH
 -THE SHOP DRAWING FOR OTHER COPING SHALL BE PREPARED BY THE CONTRACTOR

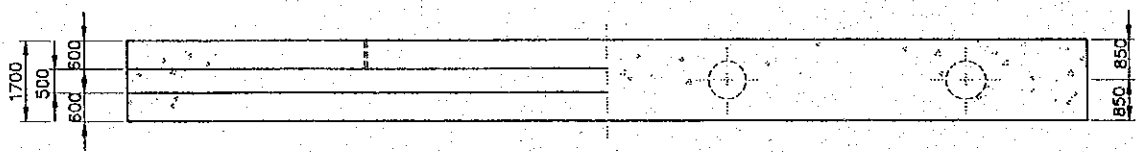
REV. NO.	DATE	COORDINATE	BY	APPROVED	DATE	JAPAN INTERNATIONAL COOPERATION AGENCY (JICA) COMISION EJECUTIVA PORTUARIA AUTONOMA (CEPA)	THE DETAILED DESIGN ON PORT REACTIVATION PROJECT IN LA UNION PROVINCE OF THE REPUBLIC OF EL SALVADOR NIPPON KOEI CO., LTD.	DESIGNED BY :	SECTION : QUAYWALL WORK	DATE : OCTOBER/2002
								CHECKED BY :	SUB-SECTION : CONTAINER AND MULTI-PURPOSE BERTH	SCALE : 1 : 100
								APPROVED BY :	TITLE : REINFORCEMENT OF COPING CONCRETE (9) (MULTI-PURPOSE)	DRAWING NO: QW-01-053



SECTION E-E
SCALE 1:150

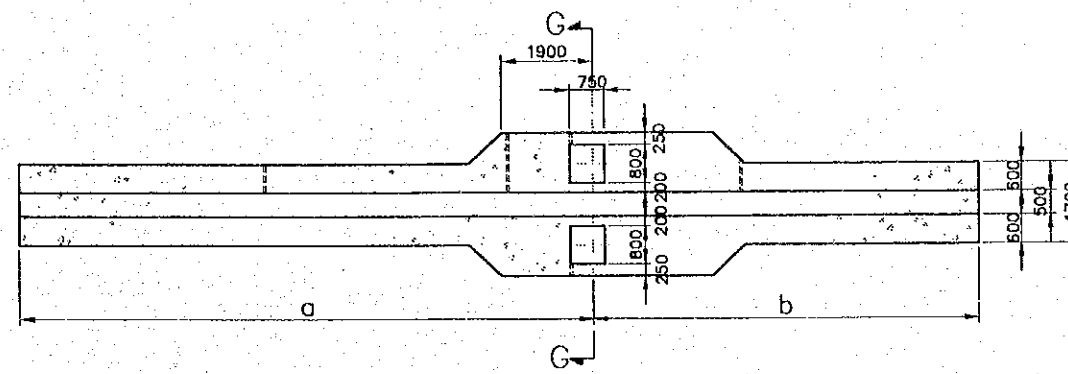


SECTION J-J
SCALE 1:150



C-C

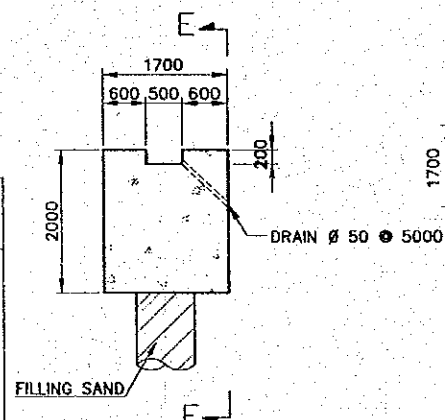
D-D
SCALE 1:150



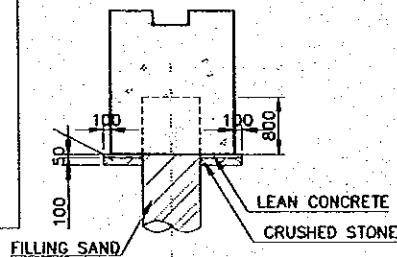
SECTION H-H
SCALE 1:150

VARIABLE LENGTH OF CRANE FOUNDATION

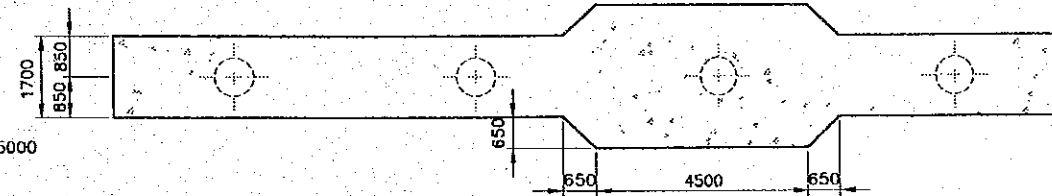
	LENGTH (L)	a	b	c	d	X	Y	Z1	Z2	Z3
No.1	18000	—	—	—	—	1000	2000	5000	5000	5000
No.2	20000	—	—	—	—	2500	3000	5000	4500	5000
No.3~ No.13	20000	—	—	—	—	2500	2500	2500	2500	—
No.14	20000	8600	11400	2500	2500	—	—	—	—	—
No.15	20000	11400	8600	2500	2500	—	—	—	—	—
No.16	20000	8600	11400	2500	2500	—	—	—	—	—
No.17	20000	11400	8600	2500	2500	—	—	—	—	—
No.18~ No.26	20000	—	—	—	—	2500	2500	2500	2500	—
No.27	20000	8600	11400	2500	2500	—	—	—	—	—
No.28	18000	9400	8600	1000	2000	—	—	—	—	—



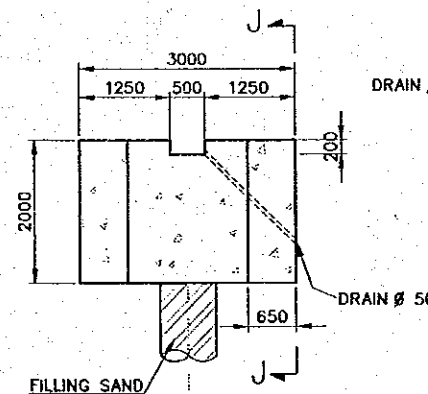
SECTION A-A
SCALE 1:100



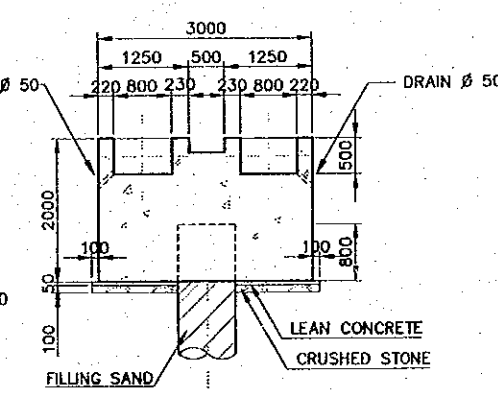
SECTION B-B
SCALE 1:100



SECTION I-I
SCALE 1:150



SECTION F-F
SCALE 1:100



SECTION G-G
SCALE 1:100

REV. NO.	DATE	COORDINATE	BY	APPROVED	DATE

JICA
JAPAN INTERNATIONAL
COOPERATION AGENCY
(JICA)

Cepa
COMISION EJECUTIVA
PORTUARIA AUTONOMA
(CEPA)

THE DETAILED DESIGN
ON PORT REACTIVATION PROJECT
IN LA UNION PROVINCE
OF THE REPUBLIC OF EL SALVADOR

NK
NIPPON KOEI CO., LTD.

DESIGNED BY :
CHECKED BY :
APPROVED BY :

SECTION : QUAYWALL WORK
SUB-SECTION : CONTAINER AND MULTI-PURPOSE BERTH
TITLE :
**CRANE FOUNDATION
(LAND SIDE)**

DATE : OCTOBER/2002
SCALE : AS INDICATED
DRAWING NO. : QW-01-054

REINFORCEMENT OF CRANE FOUNDATION (TYPICAL SECTION)

SCALE 1:1000

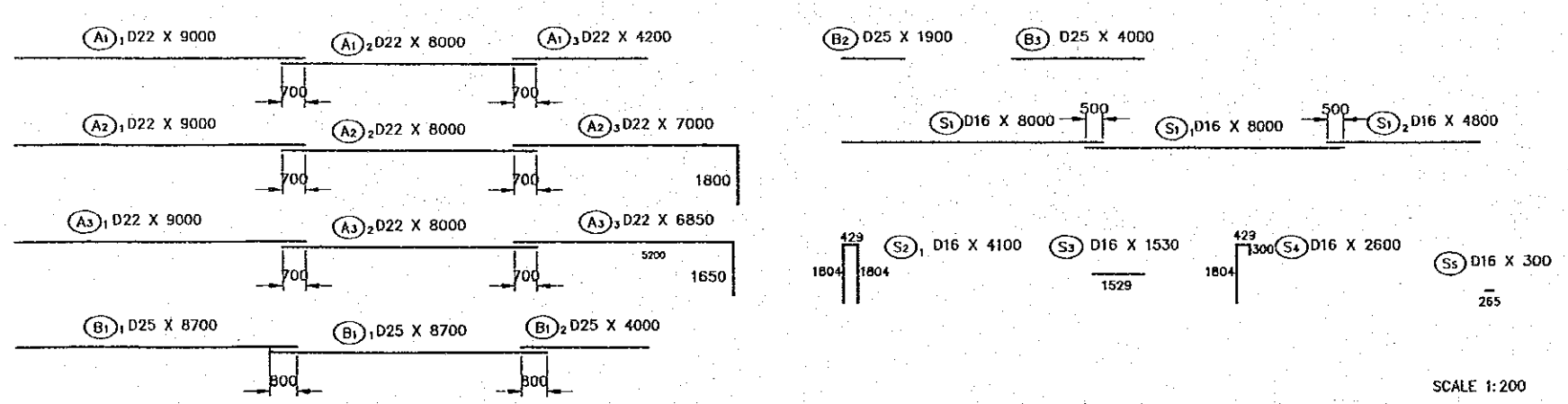
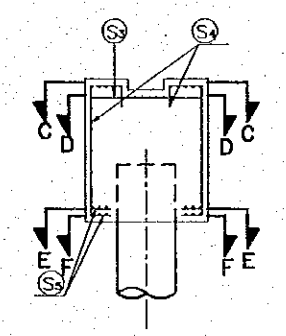
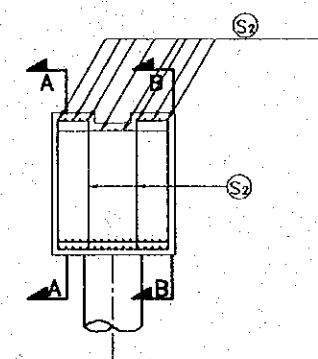
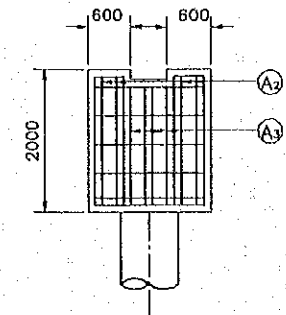
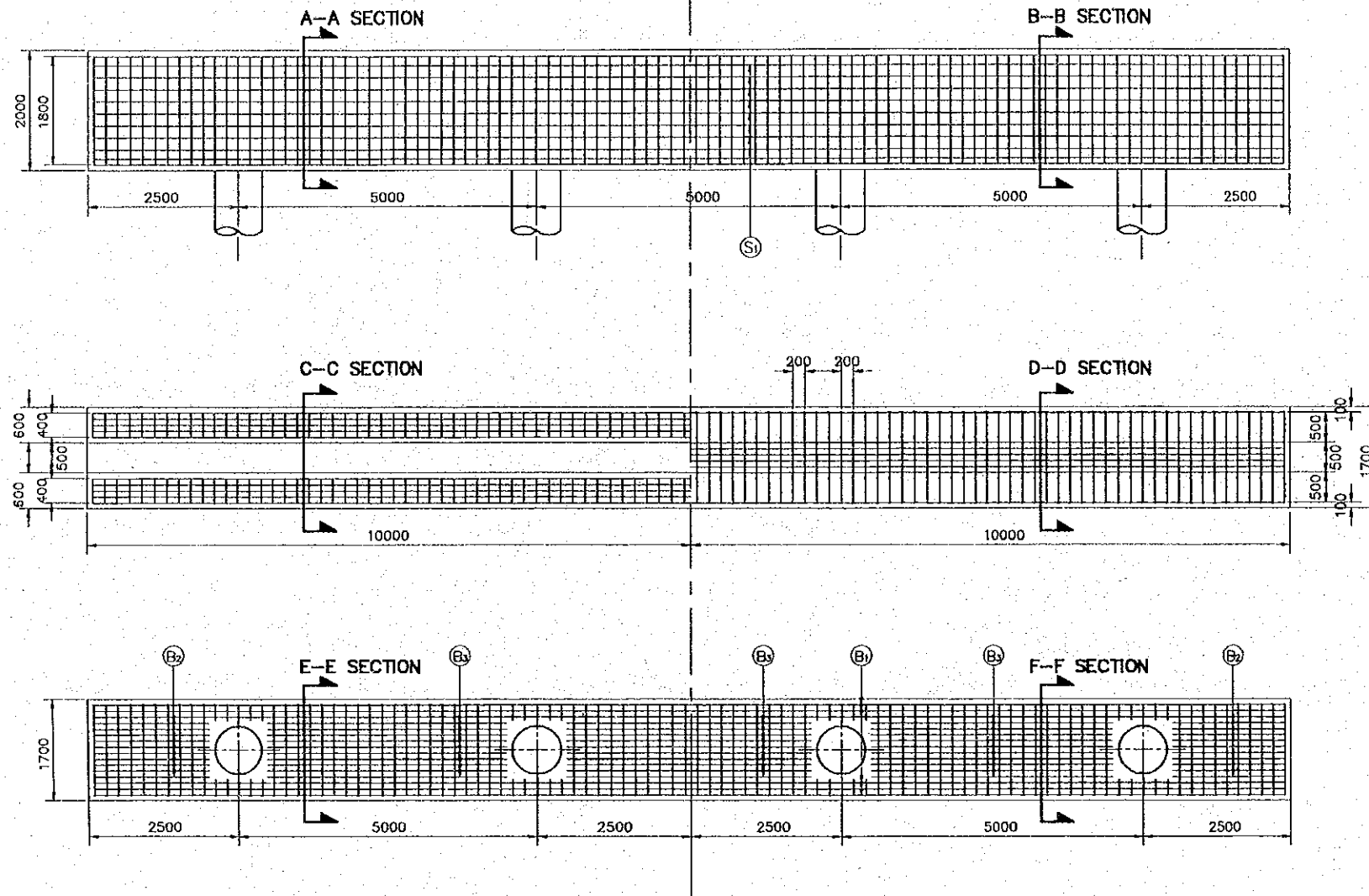
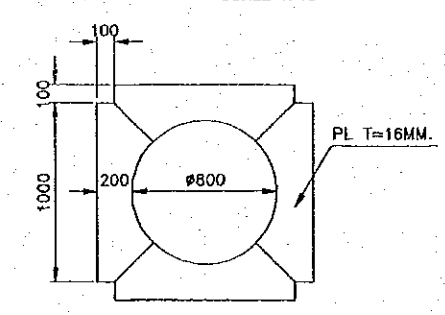


PLATE DETAIL
SCALE 1:40



NOTES:
 - THIS REINFORCEMENT SHALL BE APPLIED TO PARTICULAR SECTIONS SHALL BE PREPARED BY THE CONTRACTOR AS SHOP DRAWINGS.
 - JOINT POINTS OF REINFORCING BAR SHOULD BE TAKEN INTO ACCOUNT, AS THEY ARE NOT CONCENTRATED ON THE SMALL AREA.
 - LAPPING OF BAR SHALL BE MORE THAN 30 TIMES OF LARGER DIAMETER BAR BENDING SCHEDULE IS REFERENCE ONLY.

SCALE 1:200

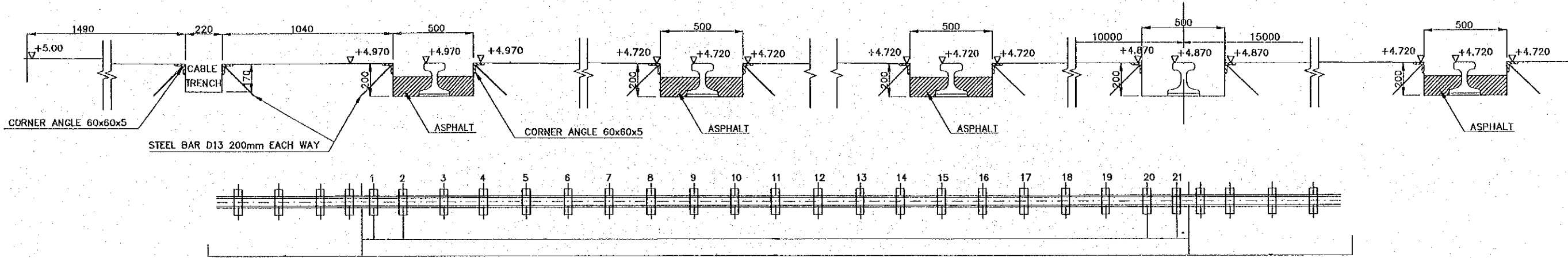
	JICA JAPAN INTERNATIONAL COOPERATION AGENCY (JICA)	CEPA COMISION EJECUTIVA PORTUARIA AUTONOMA (CEPA)	THE DETAILED DESIGN ON PORT REACTIVATION PROJECT IN LA UNION PROVINCE OF THE REPUBLIC OF EL SALVADOR NIPPON KOEI CO., LTD.	DESIGNED BY : CHECKED BY : APPROVED BY :	SECTION : QUAYWALL WORK SUB-SECTION : CONTAINER AND MULTI-PURPOSE BERTH TITLE : <h3 style="text-align: center;">REINFORCEMENT OF CRANE FOUNDATION</h3>	DATE : OCTOBER/2002 SCALE : AS INDICATED DRAWING NO. : QW-01-055
REV. NO.	DATE	COORDINATE	BY	APPROVED	DATE	

PLAN OF RAIL AND DECK ELEVATION (FOR REFERENCE)

SCALE 1:25

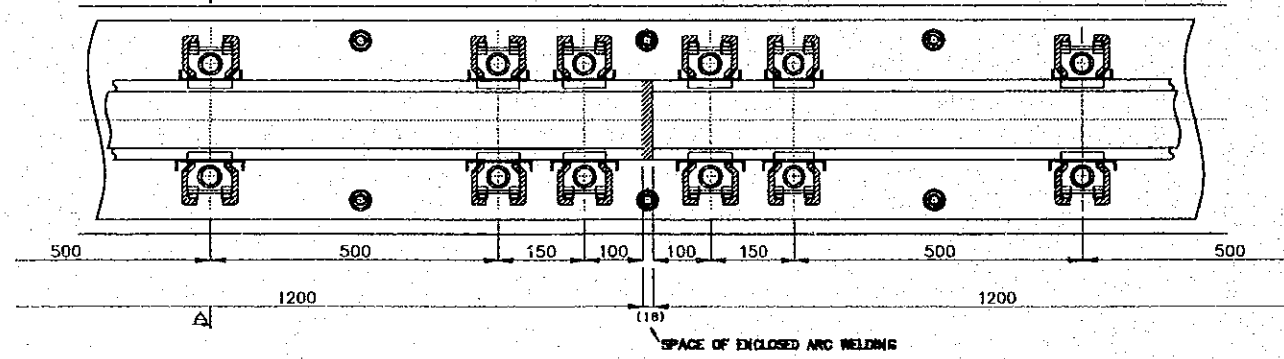
CONTAINER BERTH

MULTI-PURPOSE BERTH



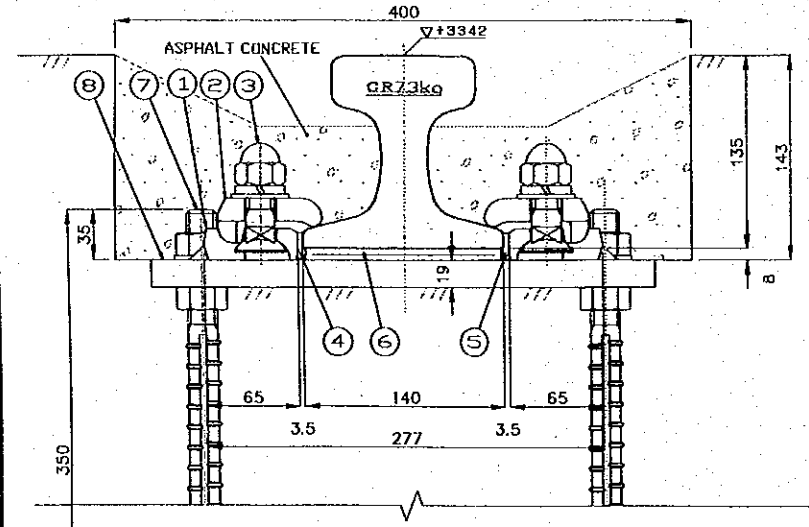
PLAN OF JOINT

SCALE 1:12.5



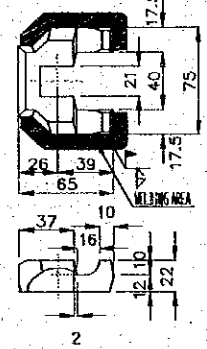
SECTION A-A

SCALE 1:5



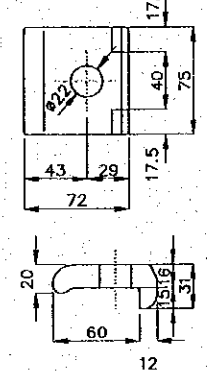
① PEDESTAL

SCALE 1:5



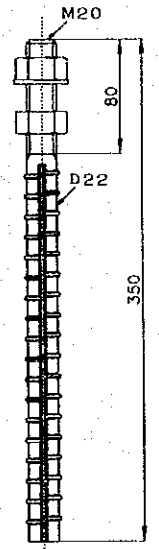
② RAIL CLIP

SCALE 1:5



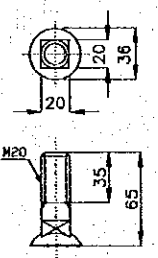
⑦ ANCHOR BOLT

SCALE 1:5



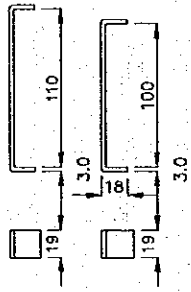
③ BOLT

SCALE 1:5



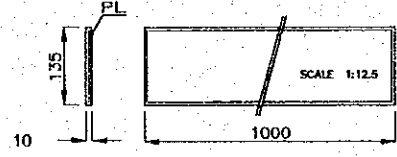
④ ⑤ SHIM

SCALE 1:5



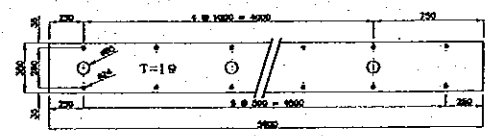
⑥ TIE PAT

SCALE 1:12.5



⑧ PLATE

SCALE 1:25



<p>JICA COMISION EJECUTIVA PORTUARIA AUTONOMA (CEPA)</p>				<p>THE DETAILED DESIGN ON PORT REACTIVATION PROJECT IN LA UNION PROVINCE OF THE REPUBLIC OF EL SALVADOR</p> <p>NIPPON KOEI CO., LTD.</p>		<p>DESIGNED BY : CHECKED BY : APPROVED BY :</p>		<p>SECTION : QUAYWALL WORK SUB-SECTION : CONTAINER AND MULTI-PURPOSE BERTH TITLE : DETAIL OF CRANE RAIL</p>		<p>DATE : OCTOBER/2002 SCALE : AS INDICATED DRAWING NO. : QW-01-056</p>	
REV. NO.	DATE	COORDINATE	BY	APPROVED	DATE						