

JAPAN INTERNATIONAL COOPERATION AGENCY (JICA)

**MINISTRY OF LOCAL ADMINISTRATION
MINISTRY OF STATE FOR ENVIRONMENTAL AFFAIRES
LATTAKIA CITY COUNCIL
HOMS CITY COUNCIL
THE SYRIAN ARAB REPUBLIC**

**THE STUDY ON
SOLID WASTE MANAGEMENT AT
LOCAL CITIES IN THE SYRIAN ARAB REPUBLIC**

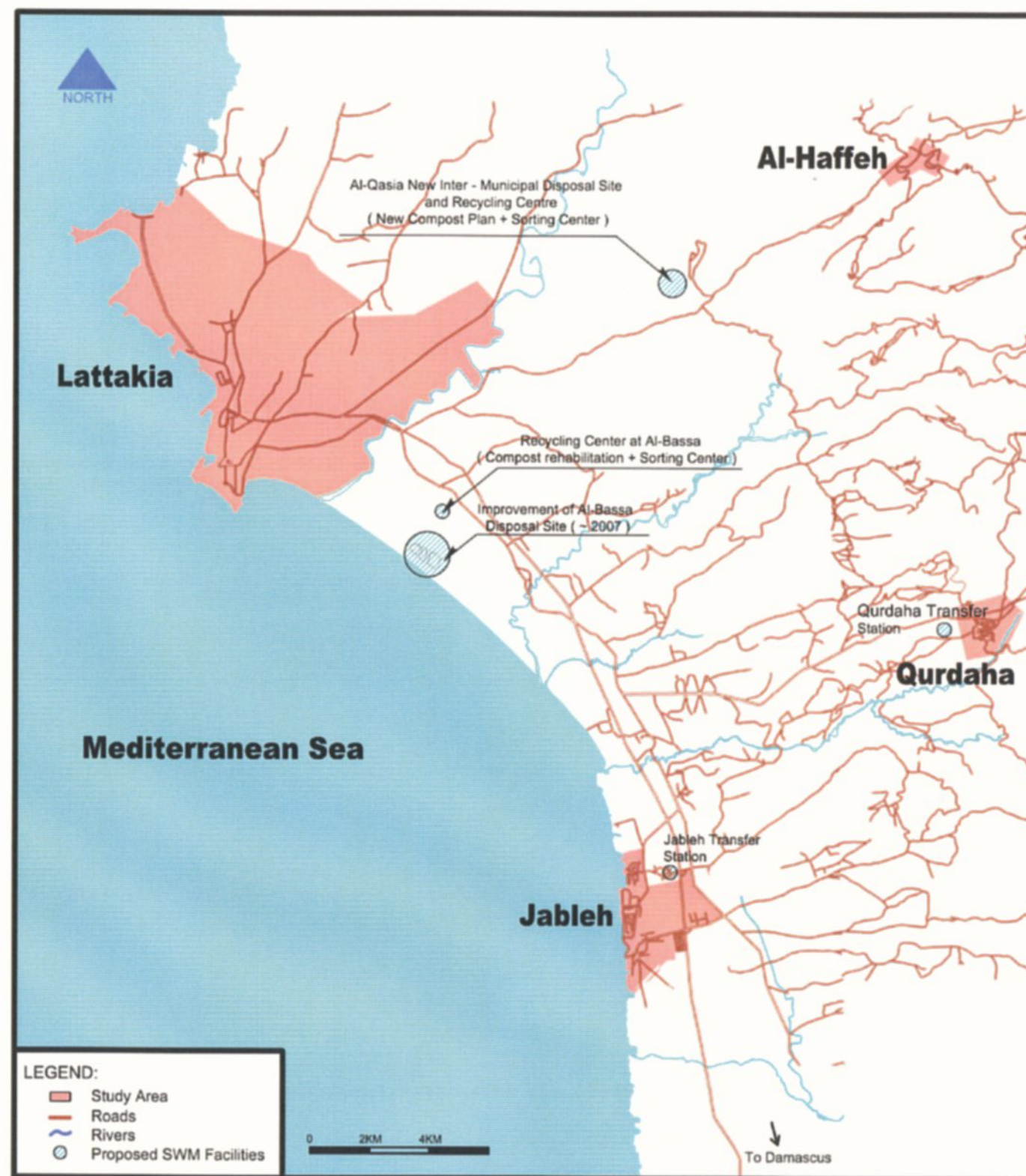
**FINAL REPORT
DATA BOOK
(DRAWINGS)**

JANUARY 2002

YACHIYO ENGINEERING CO., LTD.

LIST OF DRAWINGS

FIG. NO.	TITLE	PAGE	FIG. NO.	TITLE	PAGE
1.1	STUDY AREA OF LATTAKIA GOVERNORATE AND LOCATION OF FACILITIES	1	3.1	HOMS CLEANSING CENTER, GENERAL PLAN	22
1.2	RECYCLING CENTER IN AL BASSA, ACCESS ROAD	2	3.2	COMPOST PLANT IN HOMS, PLOT PLAN	23
1.3	RECYCLING CENTER IN AL BASSA, GENERAL LAYOUT	3	3.3	COMPOST PLANT IN HOMS, RECEPTION BUILDING 1	24
1.4	COMPOST PLANT IN AL BASSA, PROCESS FLOW	4	3.4	COMPOST PLANT IN HOMS, RECEPTION BUILDING 2	25
1.5	COMPOST PLANT IN AL BASSA, PLOT PLAN	5	3.5	COMPOST PLANT IN HOMS, RECEPTION BUILDING 3	26
1.6	COMPOST PLANT IN AL BASSA, RECEPTION BUILDING 1	6	3.6	COMPOST PLANT IN HOMS, GARAGE AND ADMINISTRATION BUILDING	27
1.7	COMPOST PLANT IN AL BASSA, RECEPTION BUILDING 2	7	3.7	TRANSFER STATION IN HOMS, LAYOUT PLAN	28
1.8	SORTING CENTER IN AL BASSA, SORTING BUILDING 1	8	3.8	TRANSFER STATION IN HOMS, LOADING PLACE	29
1.9	SORTING CENTER IN AL BASSA, SORTING BUILDING 2	9	3.9	TRANSFER STATION IN HOMS, MAIN CONTROL BUILDING	30
1.10	AL BASSA DISPOSAL SITE , OVERALL REHABILITATION PLAN	10	3.10	TRANSFER STATION IN HOMS, TRUCK SCALE BUILDING AND GUARD HOUSE	31
1.11	AL BASSA DISPOSAL SITE, REHABILITATION PLAN OF ZONE I AND II	11	3.11	TRANSFER STATION IN HOMS, REST HOUSE	32
1.12	AL BASSA DISPOSAL SITE, CROSS SECTION OF ZONE I AND II	12	3.12	DIR BAALBEH DISPOSAL SITE, REHABILITATION PLAN	33
1.13	AL BASSA DISPOSAL SITE, REHABILITATION PLAN OF ZONE III	13	3.13	DIR BAALBEH DISPOSAL SITE, CROSS SECTION	34
1.14	AL BASSA DISPOSAL SITE, CROSS SECTION OF ZONE III	14	3.14	MEDICAL WASTE TREATMENT CENTER	35
2.1	QASIA DISPOSAL SITE, LOCATION AND CONCEPTUAL PLAN	15	4.1	COLLECTION VEHICLE AND EQUIPMENT, COMPACTOR TRUCK	36
2.2	QASIA DISPOSAL SITE, LAYOUT PLAN	16	4.2	COLLECTION VEHICLE AND EQUIPMENT, DUMP TRUCK AND SPECIAL TRUCK	37
2.3	QASIA DISPOSAL SITE, CROSS SECTION	17	4.3	COLLECTION VEHICLE AND EQUIPMENT, WHEEL LOADER	38
2.4	QASIA DISPOSAL SITE, COMPOST PLANT	18	4.4	COLLECTION VEHICLE AND EQUIPMENT, ROAD SWEEPER AND TANK TRUCK	39
2.5	QASIA DISPOSAL SITE, SORTING CENTER	19			
2.6	TRANSFER STATION	20			
2.7	TRANSFER STATION, TRANSPORTATION EQUIPMENT	21			



Location of Proposed SWM Facilities for the M/P in 2010

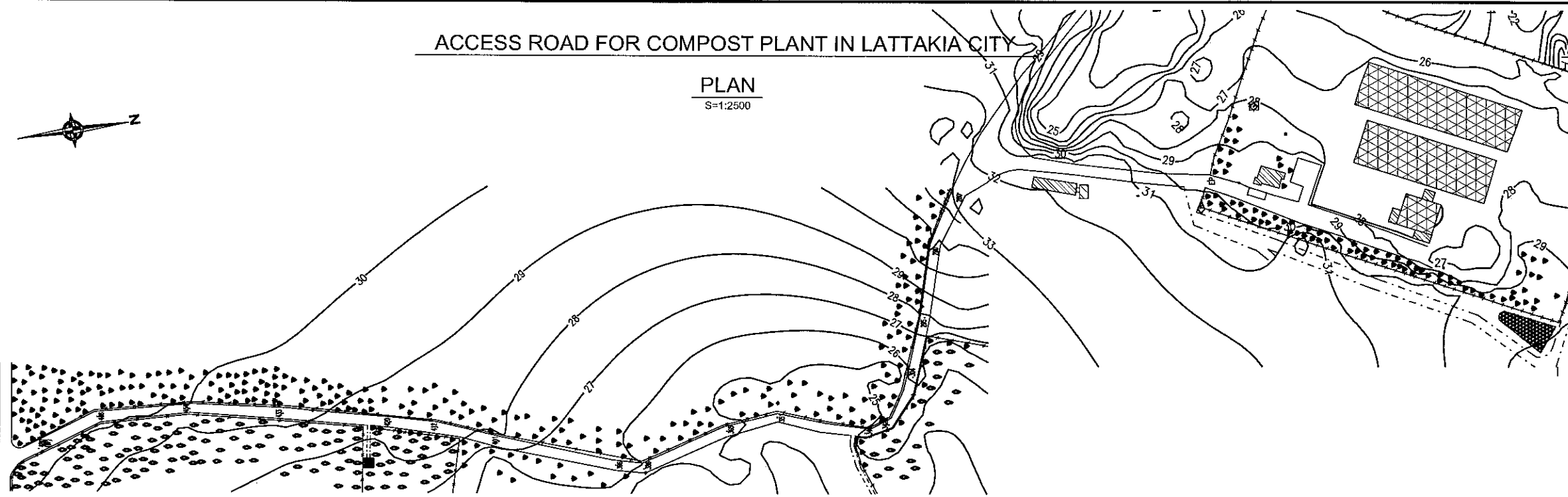
MINISTRY OF LOCAL ADMINISTRATION MINISTRY OF ENVIRONMENT LATTAKIA CITY COUNCIL HOMS CITY COUNCIL, THE SYRIAN ARAB REPUBLIC	
THE STUDY ON SOLID WASTE MANAGEMENT AT LOCAL CITIES IN THE SYRIAN ARAB REPUBLIC	
Figure 1.1 Study Area of Lattakia Governorate and Location of Facilities	
SCALE	
JAPAN INTERNATIONAL COOPERATION AGENCY	

ACCESS ROAD FOR COMPOST PLANT IN LATTAKIA CITY

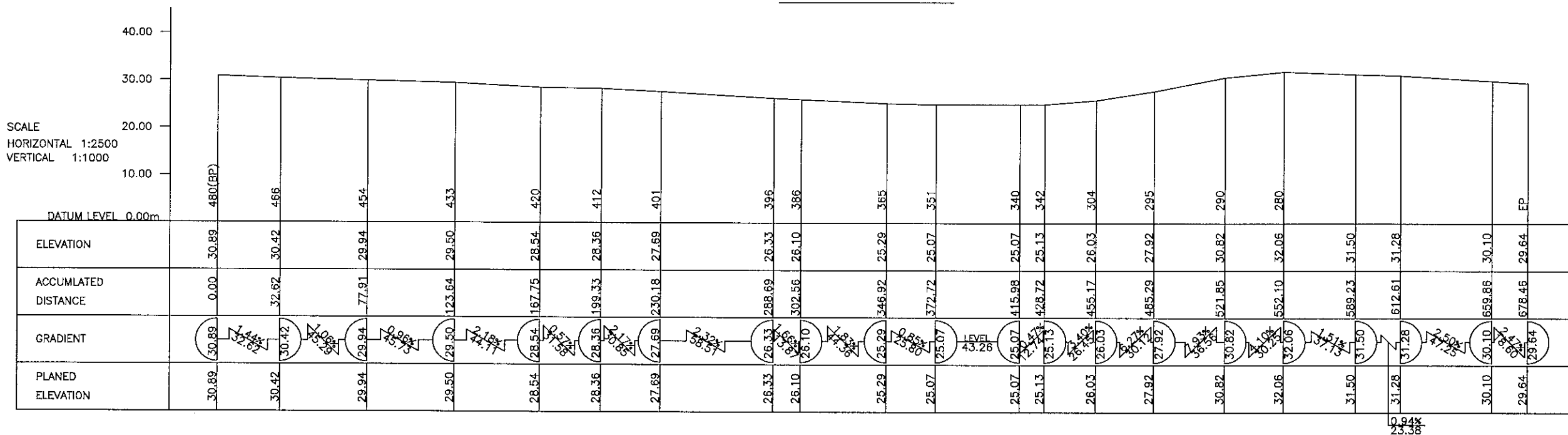
PLAN
S=1:2500



Jableh
Lattakia



LONG SECTION



0.94%
25.56

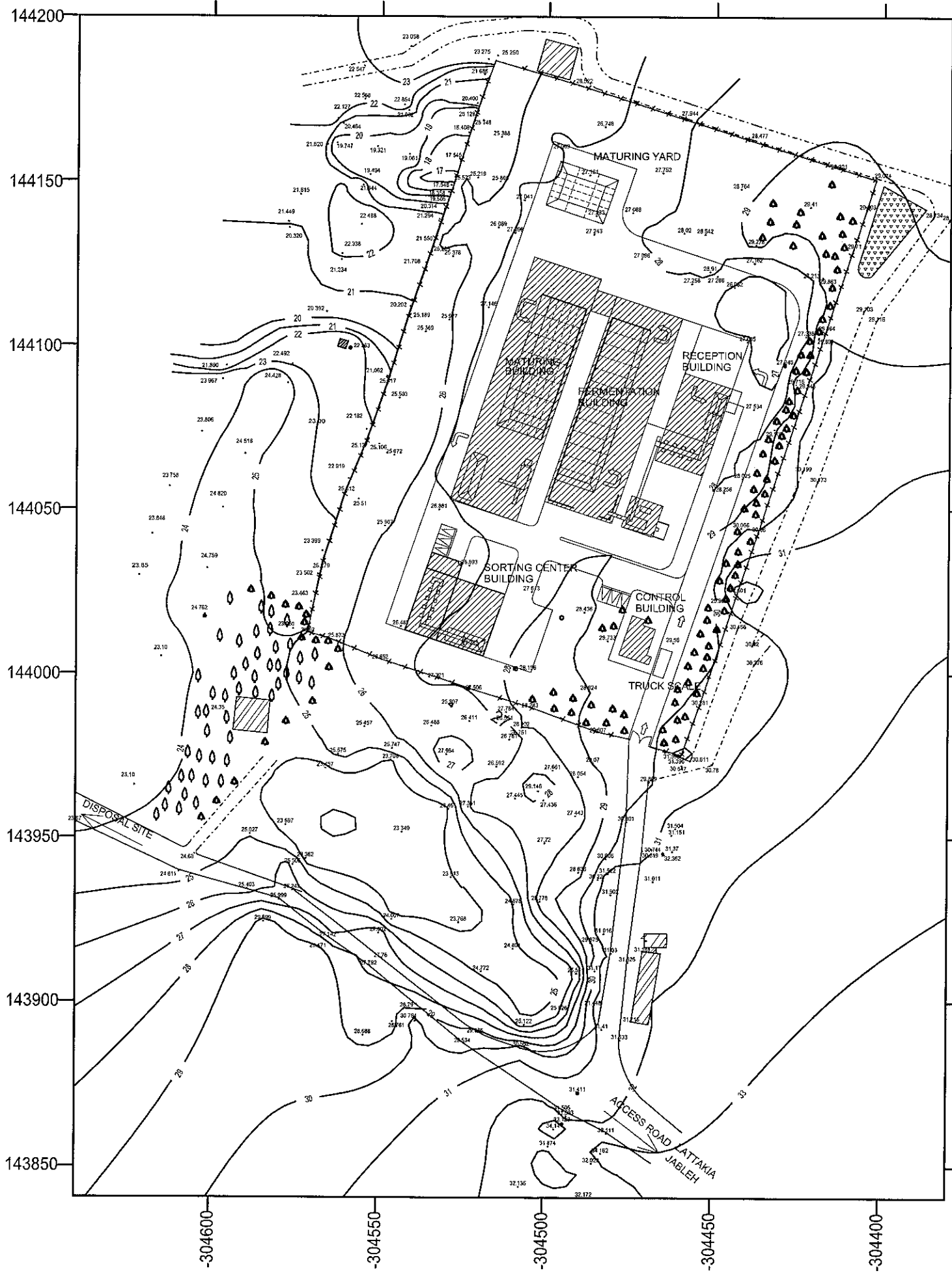
MINISTRY OF LOCAL ADMINISTRATION
MINISTRY OF ENVIRONMENT
LATTAKIA CITY COUNCIL
HOMS CITY COUNCIL, THE SYRIAN ARAB REPUBLIC

THE STUDY ON SOLID WASTE MANAGEMENT
AT LOCAL CITIES IN THE SYRIAN ARAB REPUBLIC

Figure 1.2
Recycling Center in Al-Bassa
Access Road

SCALE

JAPAN INTERNATIONAL COOPERATION AGENCY



LEGEND

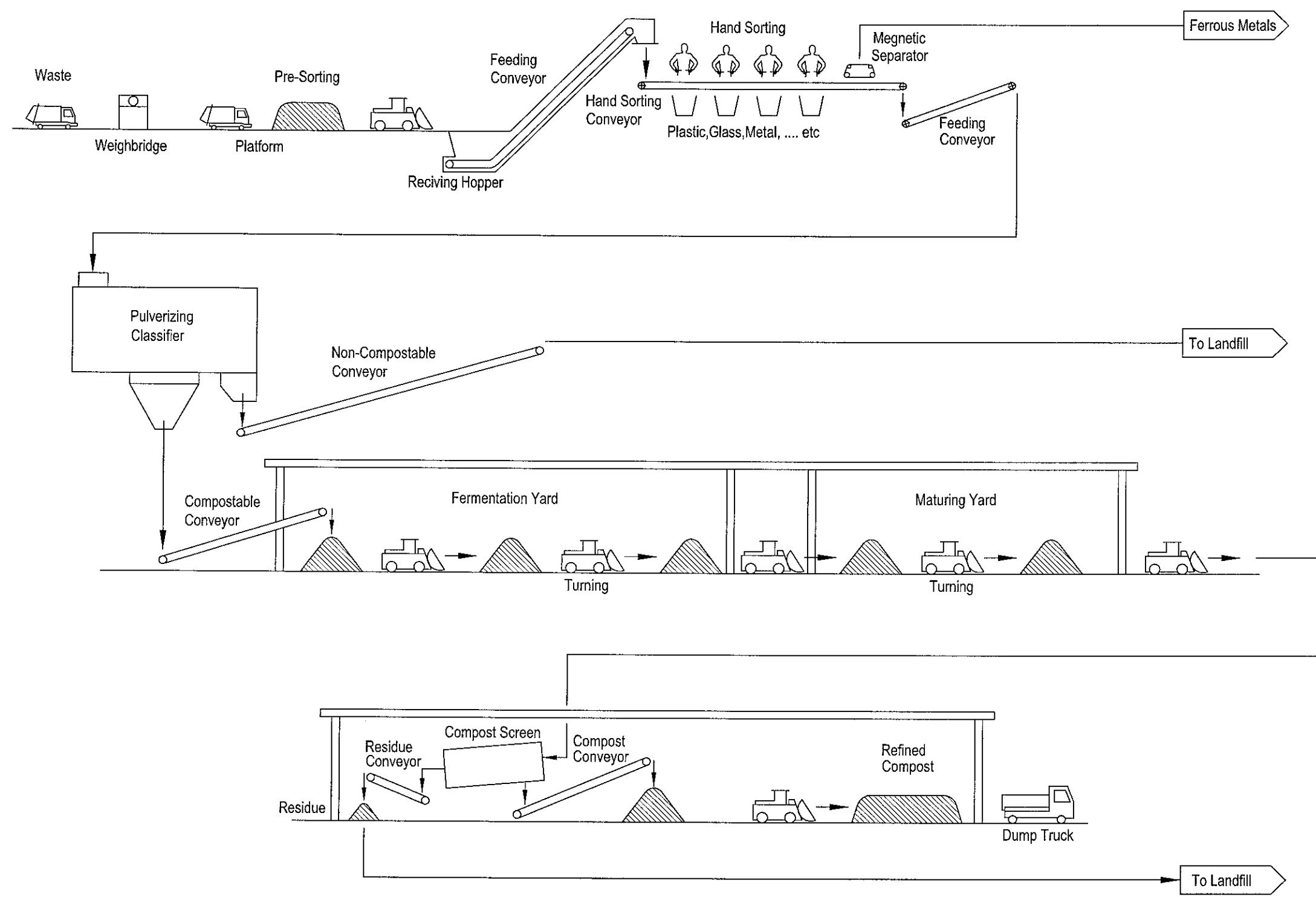
- BENCH MARK
- ◆ POLE POINT
- 26.411 M POINT HEIGHT
- CONTOUR LINE
- FENCE
- ▲ PINE
- ◊ ORANGE
- ⊙ WELL
- CONCRETE WALL
- ▨ CLIFF
- ▧ HOUSE
- ▩ COMPOST PLANT
- ▨ AGRICULTURAL LAND
- TRACK SCALE

**MINISTRY OF LOCAL ADMINISTRATION
 MINISTRY OF ENVIRONMENT
 LATTAKIA CITY COUNCIL
 HOMS CITY COUNCIL, THE SYRIAN ARAB REPUBLIC**

**THE STUDY ON SOLID WASTE MANAGEMENT
 AT LOCAL CITIES IN THE SYRIAN ARAB REPUBLIC**

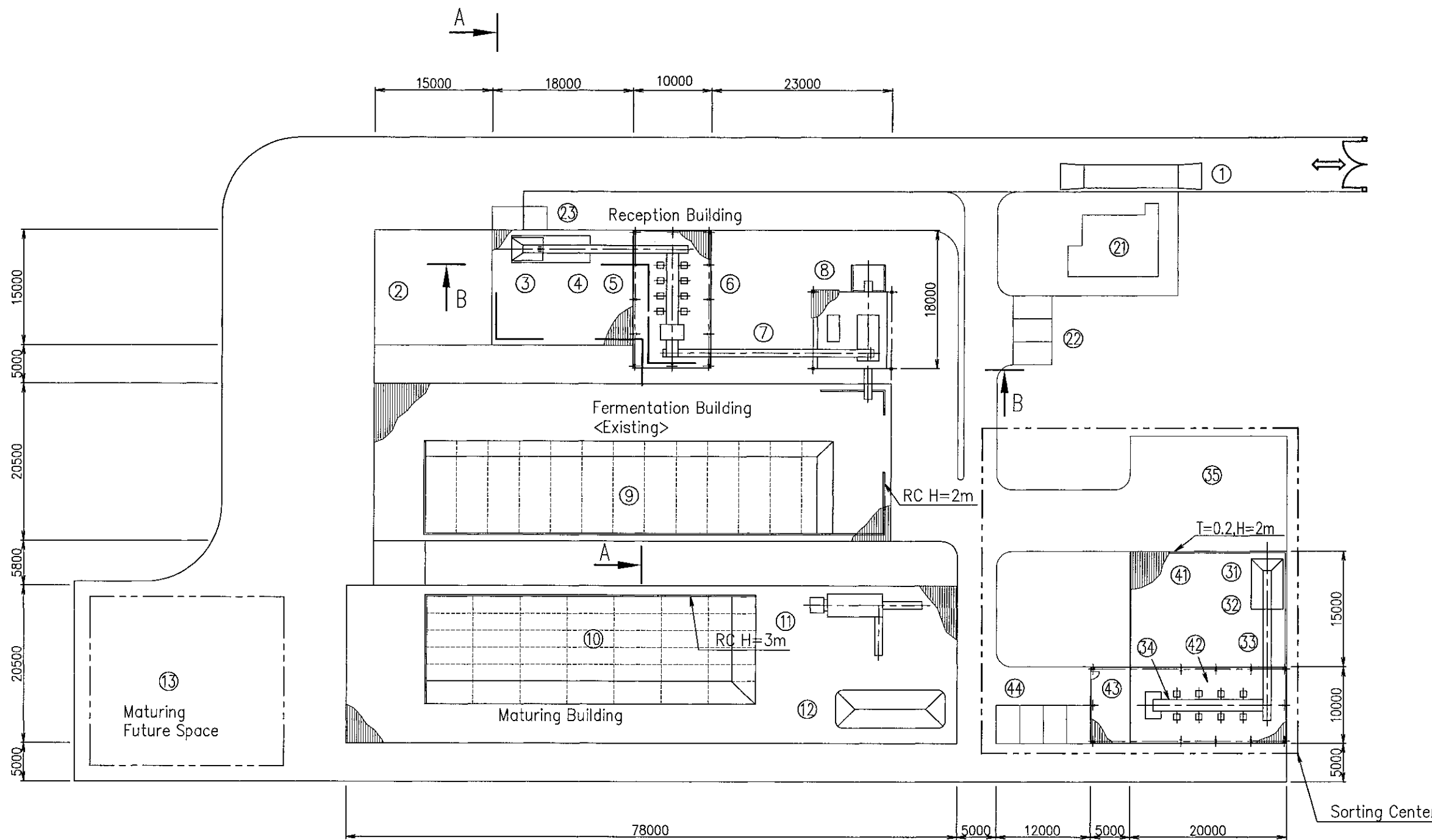
Figure 1.3
 Recycling Center in Al-Bassa
 General Layout

SCALE 1/1500
JAPAN INTERNATIONAL COOPERATION AGENCY

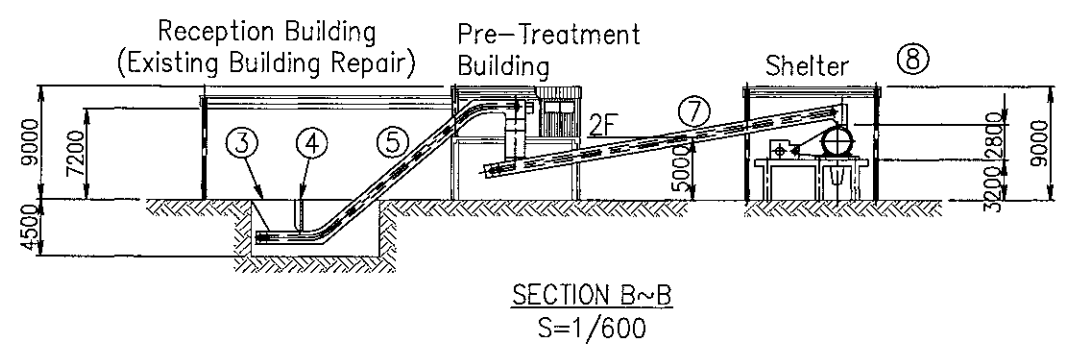
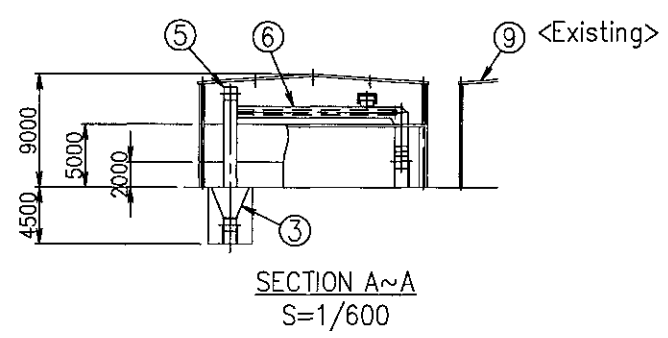


System Flow of Composting

MINISTRY OF LOCAL ADMINISTRATION
MINISTRY OF ENVIRONMENT
LATTAKIA CITY COUNCIL
HOMS CITY COUNCIL, THE SYRIAN ARAB REPUBLIC
THE STUDY ON SOLID WASTE MANAGEMENT
AT LOCAL CITIES IN THE SYRIAN ARAB REPUBLIC
 Figure 1.4
 Compost Plant in Al-Bassa
 Process Flow
 SCALE
JAPAN INTERNATIONAL COOPERATION AGENCY



- ① Truck Scale
- ② Pre-Sorting Area
- ③ Waste Hopper
- ④ Bag Breaker
- ⑤ Waste Feeding Conveyor
- ⑥ Hand Sorting Area
- ⑦ Compostable Waste Conveyor
- ⑧ Pulverizing Classifier
- ⑨ Fermentation Yard
- ⑩ Maturing Yard
- ⑪ Compost Screen
- ⑫ Compost Stock Yard
- ⑬ Maturing Spare Space
- ⑭ Administration Building
- ⑮ Parking Area
- ⑯ Transformer House
- ⑰ Waste Hopper
- ⑱ Bag Breaker
- ⑲ Waste Feeding Conveyor
- ⑳ Hand Sorting Area
- ㉑ Stock Yard
- ㉒ Reception Building
- ㉓ Pre-Treatment Building
- ㉔ Control Office
- ㉕ Parking Area



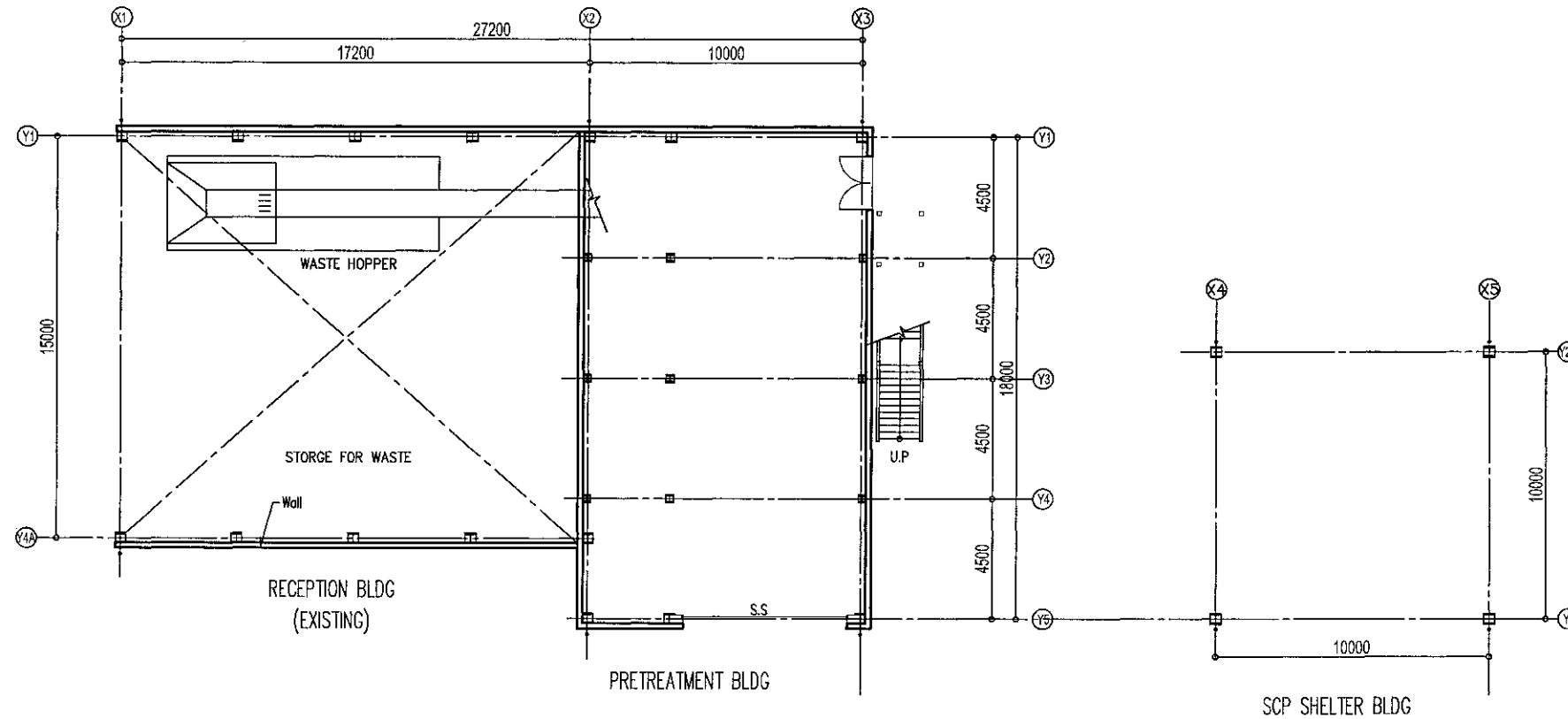
MINISTRY OF LOCAL ADMINISTRATION
MINISTRY OF ENVIRONMENT
LATTAKIA CITY COUNCIL
HOMS CITY COUNCIL, THE SYRIAN ARAB REPUBLIC

THE STUDY ON SOLID WASTE MANAGEMENT
AT LOCAL CITIES IN THE SYRIAN ARAB REPUBLIC

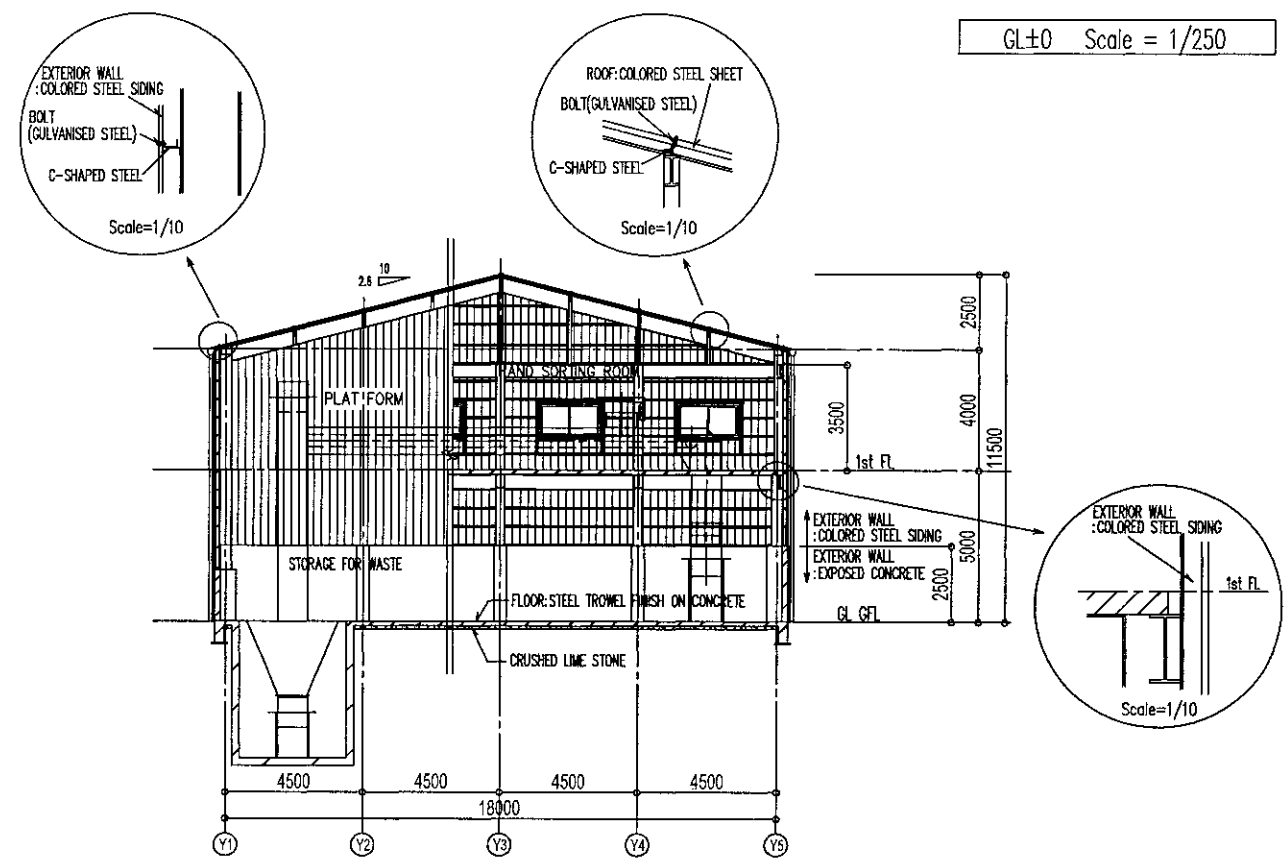
Figure 1.5
 Compost Plant Plot Plan

SCALE	1/600
-------	-------

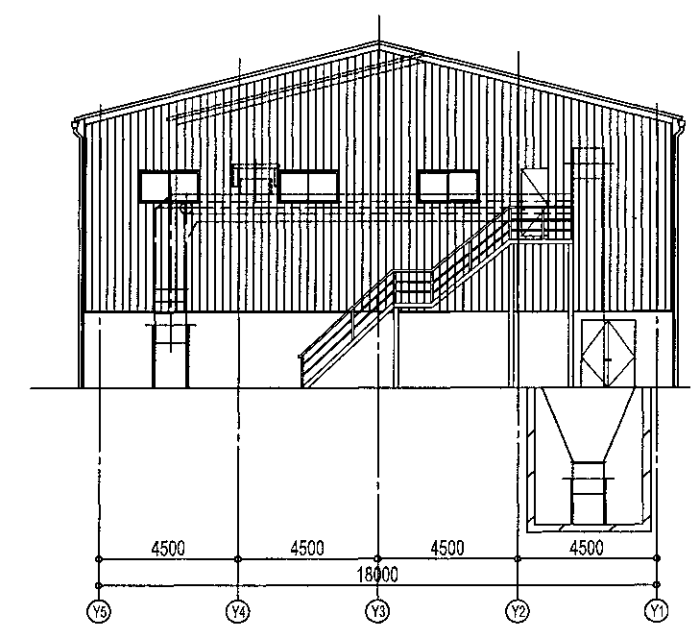
JAPAN INTERNATIONAL COOPERATION AGENCY



GROUND FLOOR PLAN
GL±0 Scale = 1/250



SECTION
Scale = 1/250



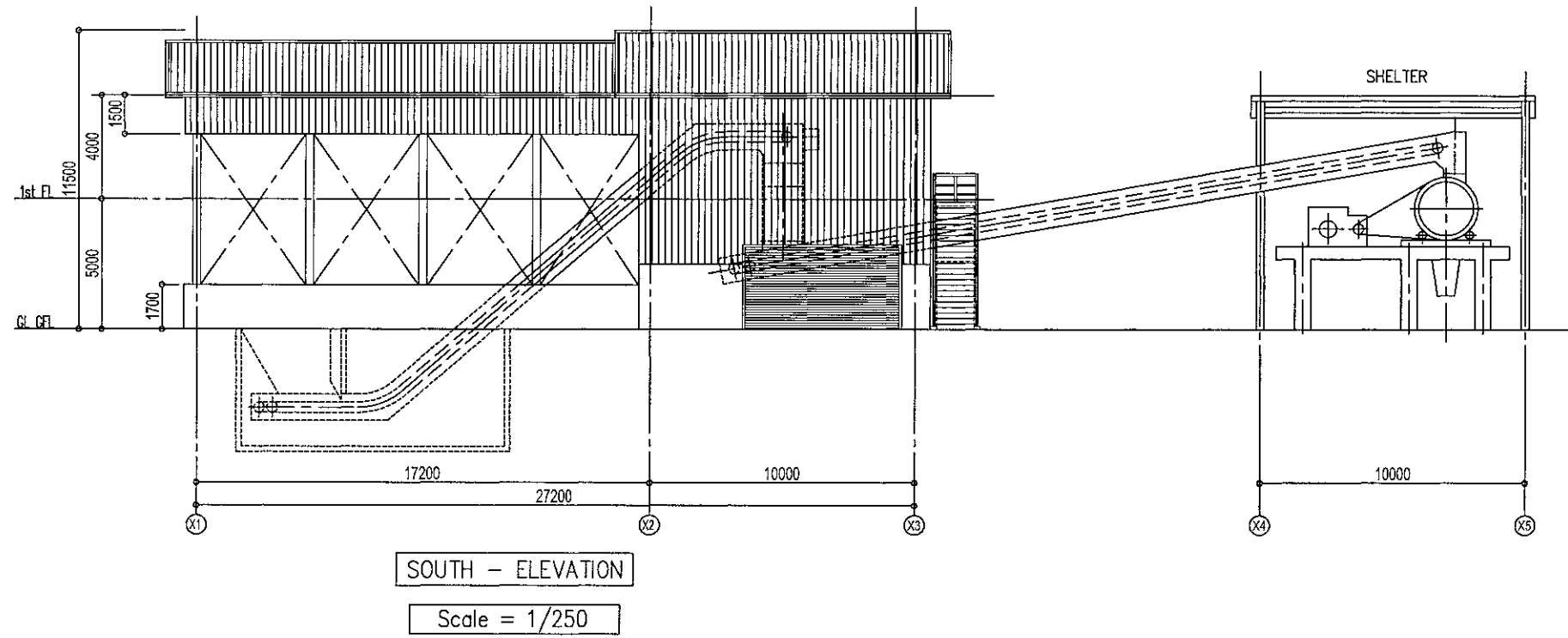
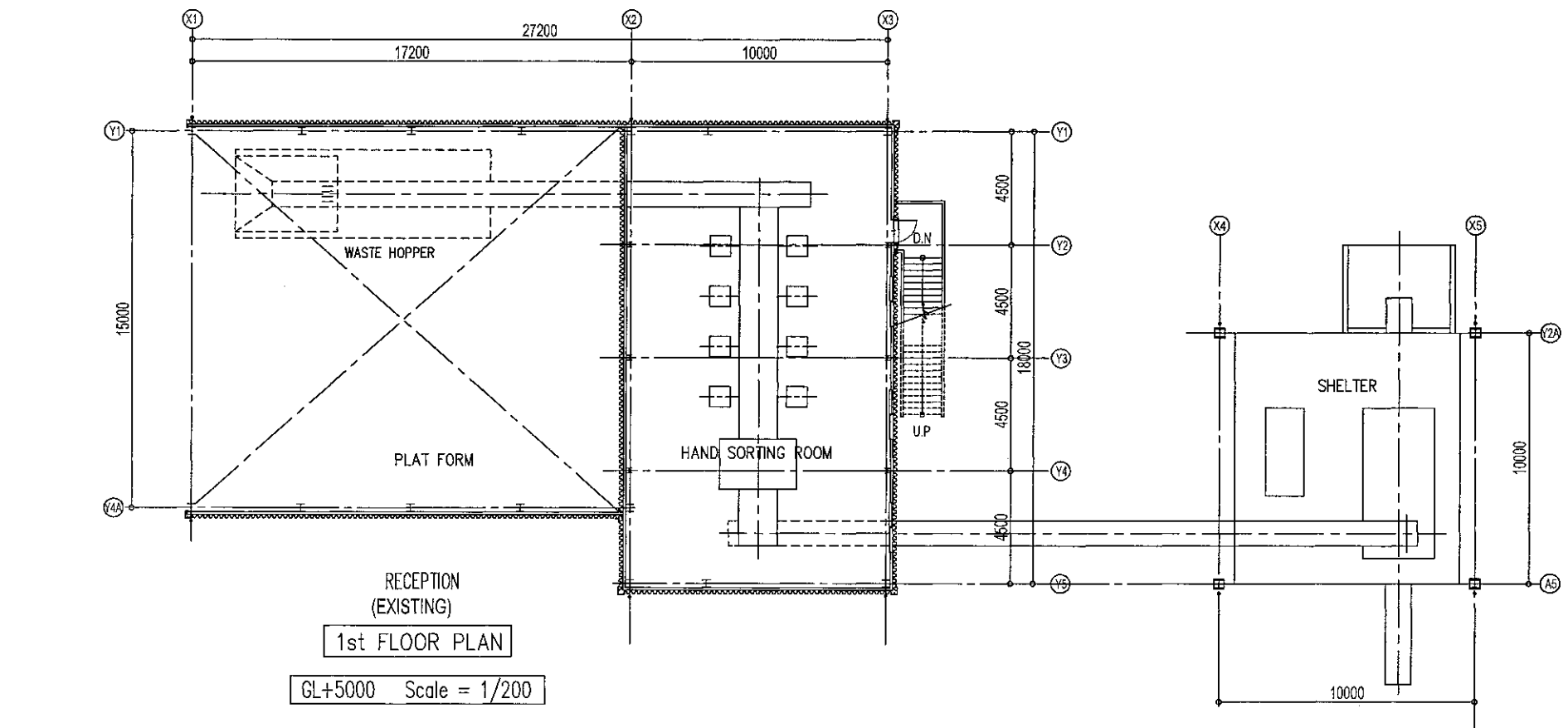
EAST - ELEVATION
Scale = 1/250

MINISTRY OF LOCAL ADMINISTRATION
MINISTRY OF ENVIRONMENT
LATTAKIA CITY COUNCIL
HOMS CITY COUNCIL, THE SYRIAN ARAB REPUBLIC

THE STUDY ON SOLID WASTE MANAGEMENT
AT LOCAL CITIES IN THE SYRIAN ARAB REPUBLIC

Figure 1.6
Compost Plant of Al-Bassa (25t/d)
Reception Building-1

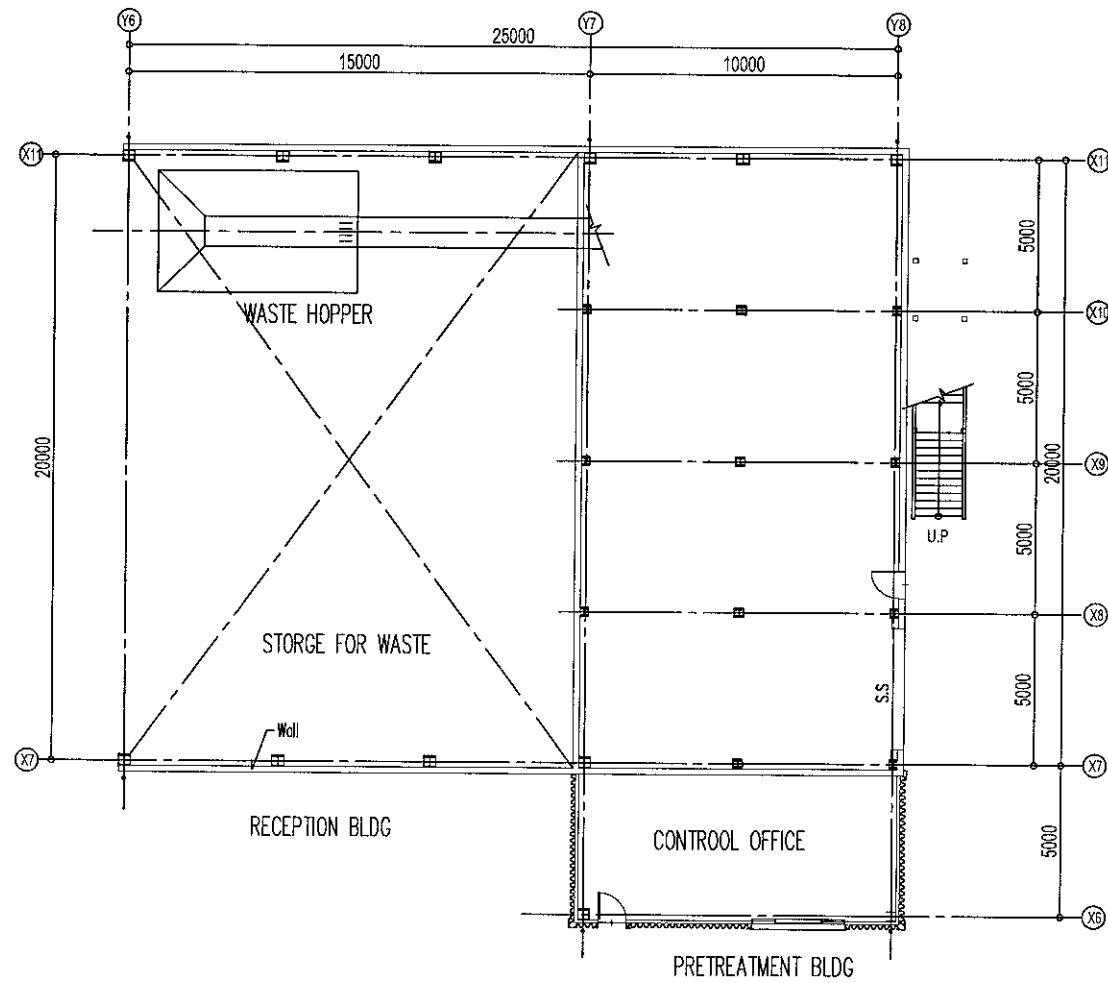
SCALE	1/250
JAPAN INTERNATIONAL COOPERATION AGENCY	



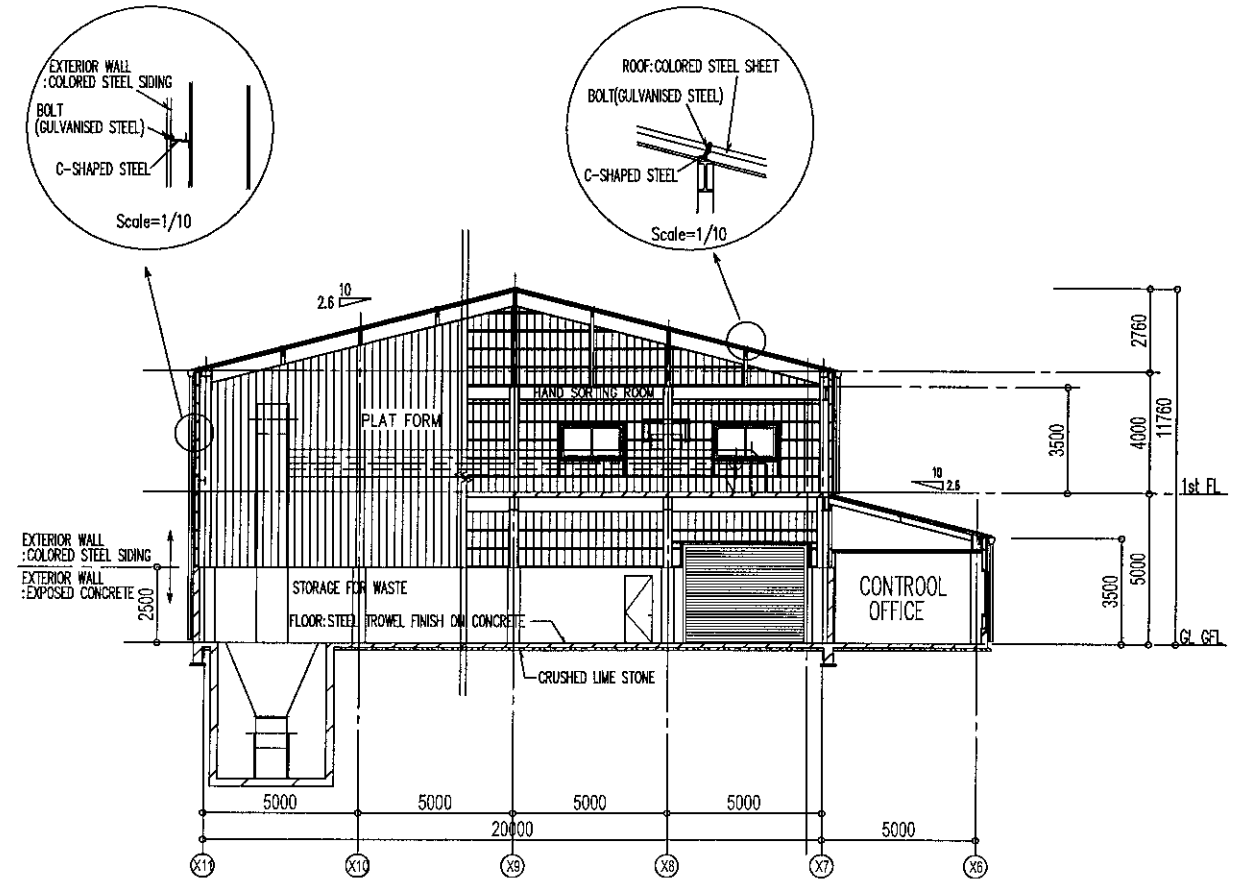
MINISTRY OF LOCAL ADMINISTRATION
 MINISTRY OF ENVIRONMENT
 LATTAKIA CITY COUNCIL
 HOMS CITY COUNCIL, THE SYRIAN ARAB REPUBLIC
 THE STUDY ON SOLID WASTE MANAGEMENT
 AT LOCAL CITIES IN THE SYRIAN ARAB REPUBLIC

Figure 1.7
 Compost Plant (25 t/d) in Al-Bassa
 Reception Building-2

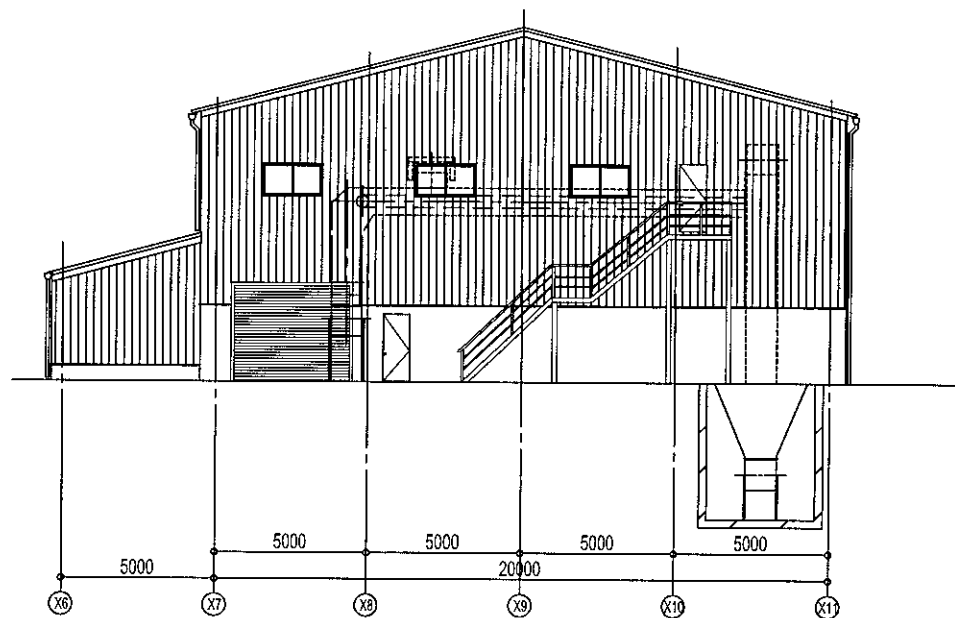
SCALE	1/250
JAPAN INTERNATIONAL COOPERATION AGENCY	



GROUND FLOOR PLAN
GL±0 Scale = 1/250



SECTION
Scale = 1/250



ELEVATION
Scale = 1/250

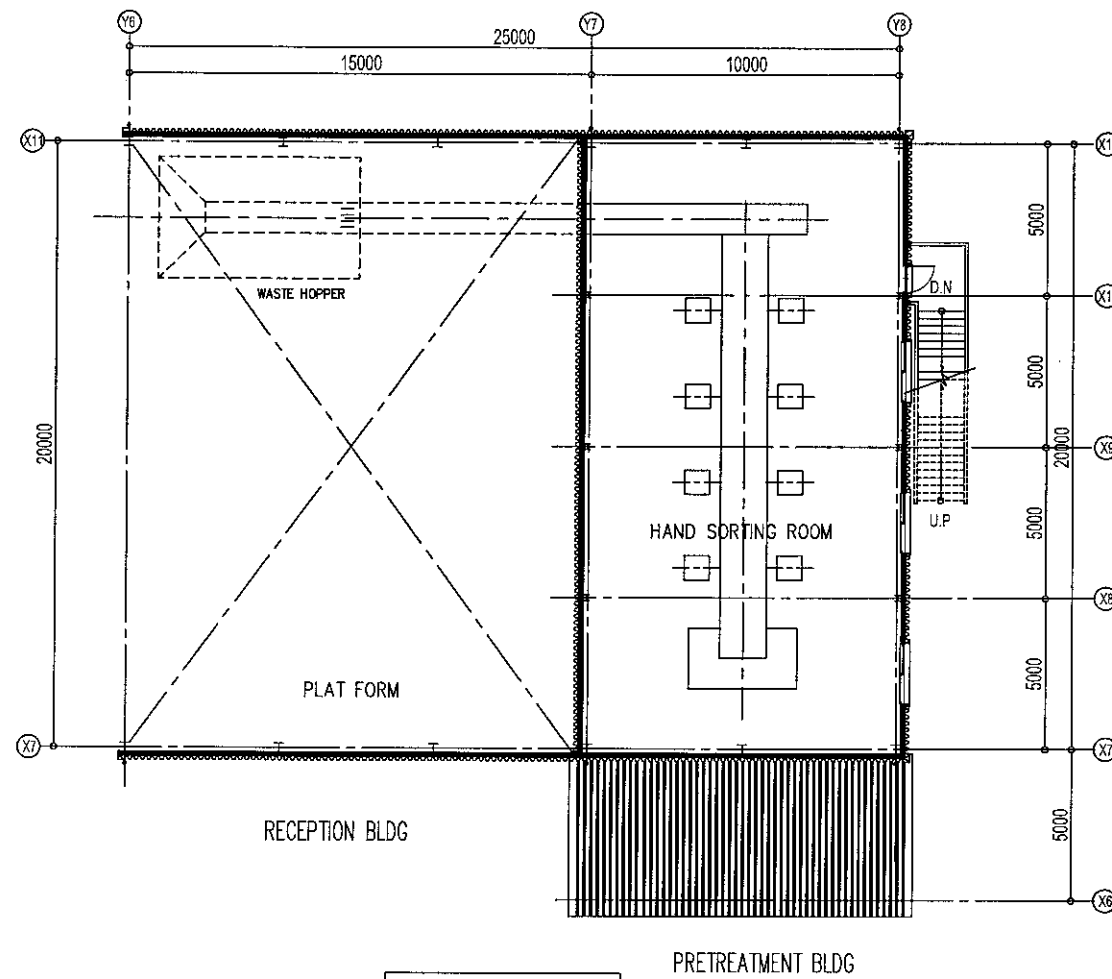
MINISTRY OF LOCAL ADMINISTRATION
MINISTRY OF ENVIRONMENT
LATTAKIA CITY COUNCIL
HOMS CITY COUNCIL, THE SYRIAN ARAB REPUBLIC

THE STUDY ON SOLID WASTE MANAGEMENT
AT LOCAL CITIES IN THE SYRIAN ARAB REPUBLIC

Figure 1.8
Sorting Center in Al- Bassa
Sorting Building - 1

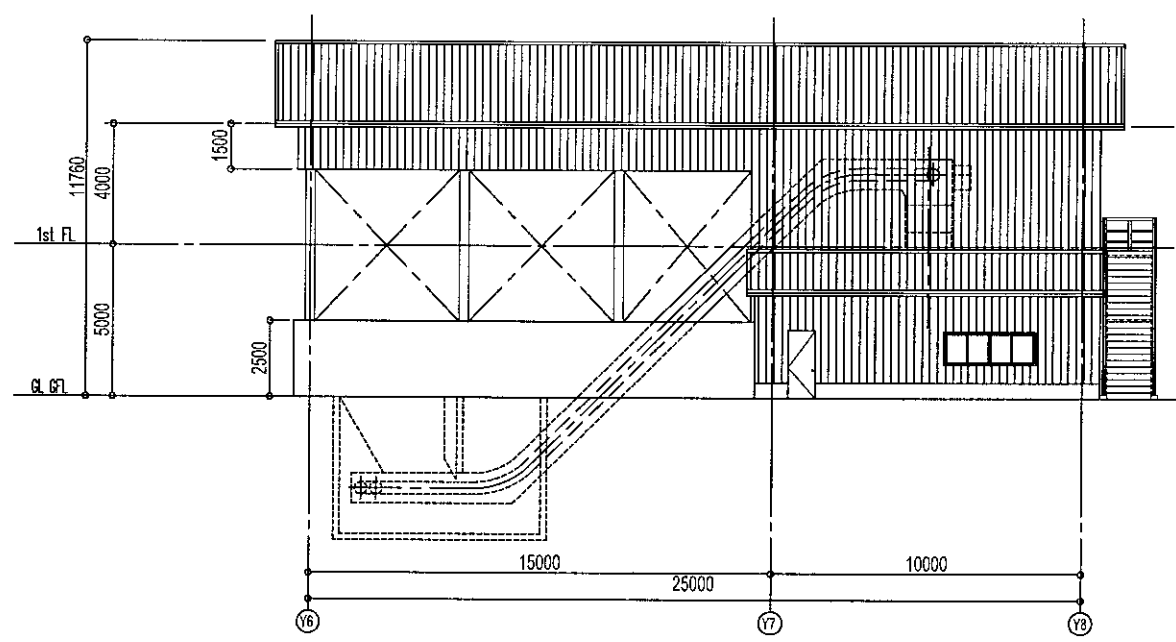
SCALE	1/250
-------	-------

JAPAN INTERNATIONAL COOPERATION AGENCY



1st FLOOR PLAN

GL+5000 Scale = 1/250



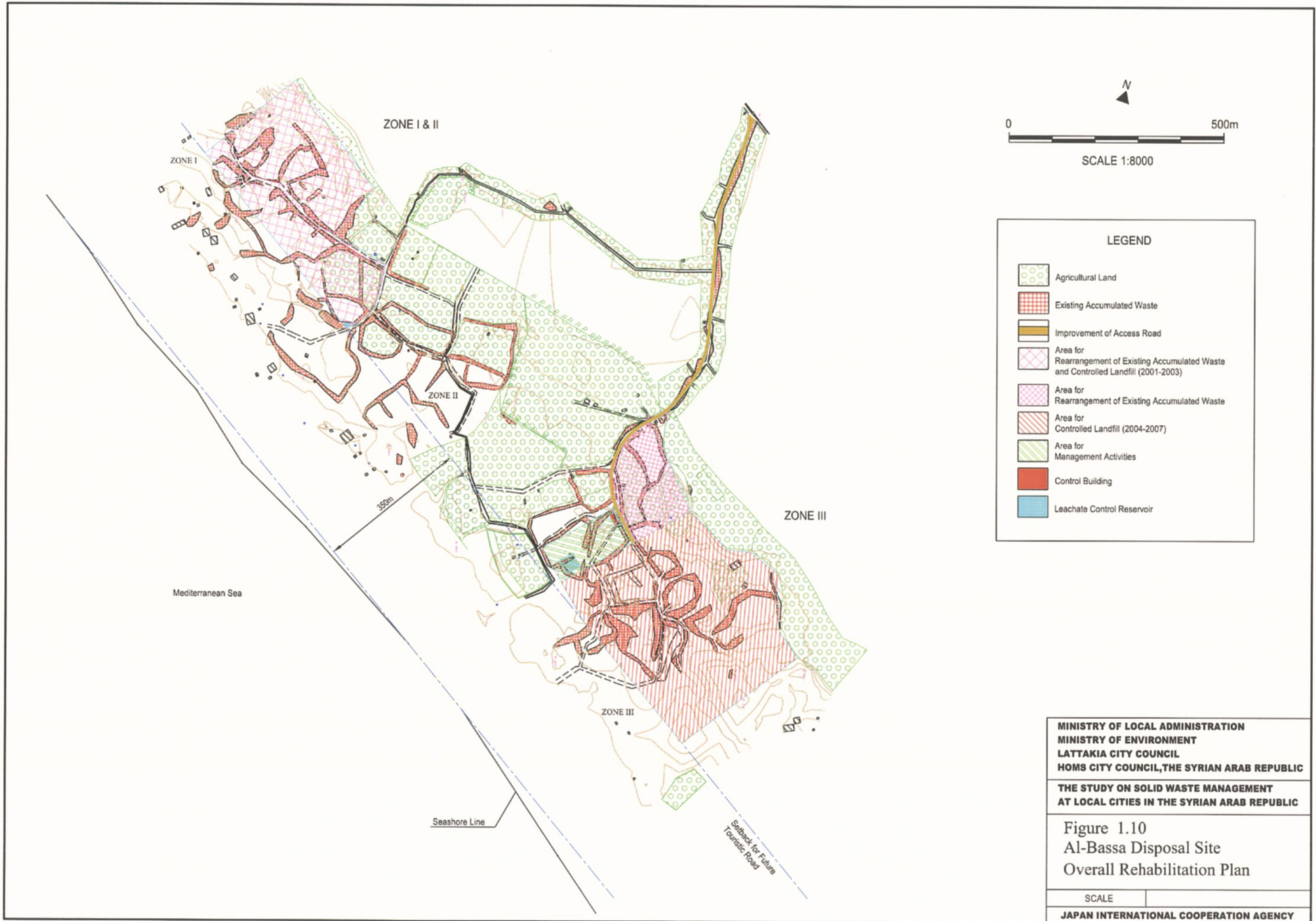
ELEVATION

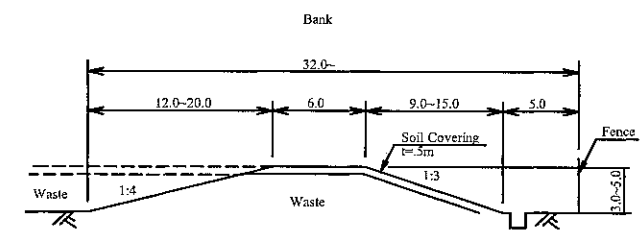
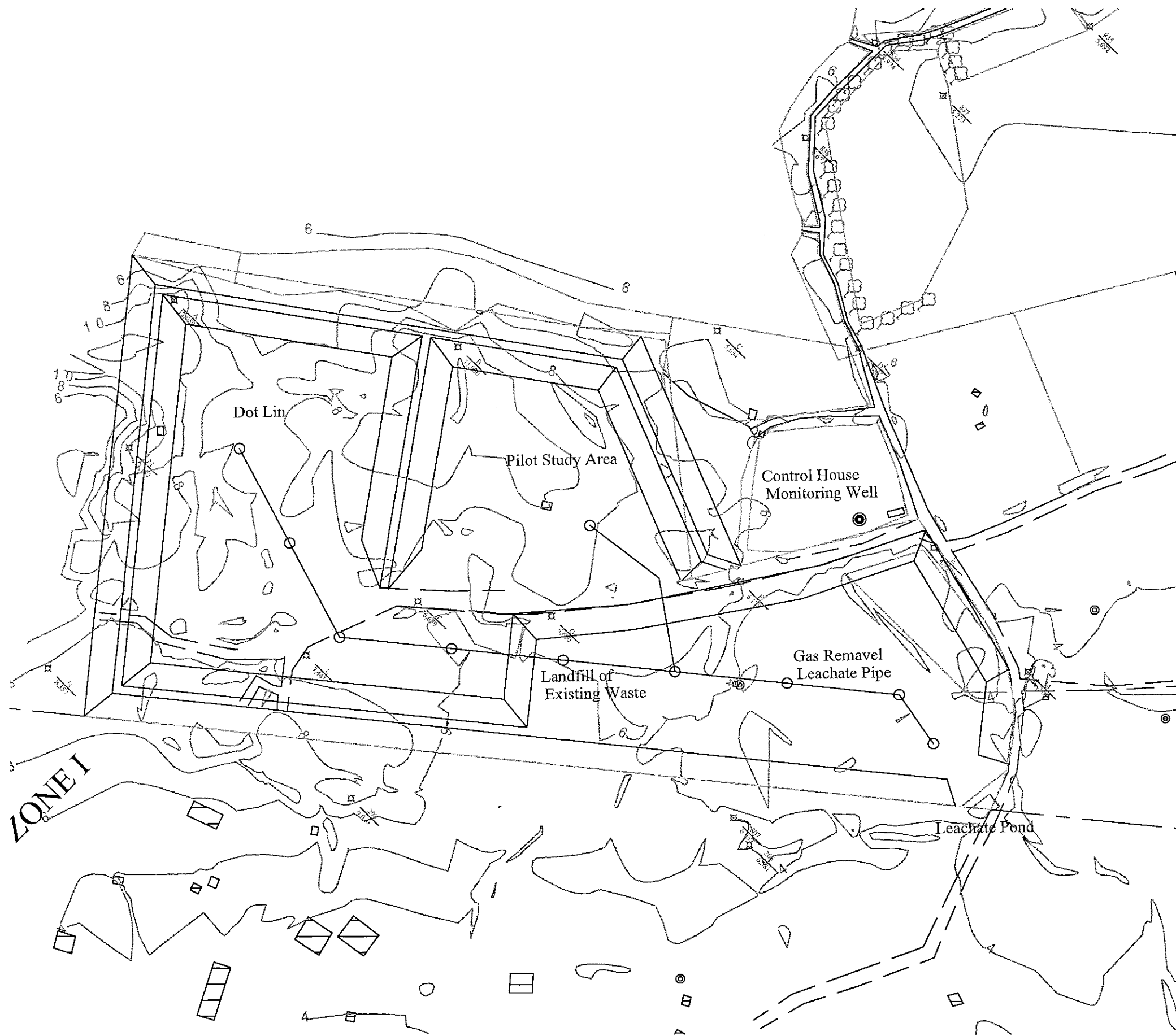
Scale = 1/250

MINISTRY OF LOCAL ADMINISTRATION
 MINISTRY OF ENVIRONMENT
 LATAKIA CITY COUNCIL
 HOMS CITY COUNCIL, THE SYRIAN ARAB REPUBLIC
 THE STUDY ON SOLID WASTE MANAGEMENT
 AT LOCAL CITIES IN THE SYRIAN ARAB REPUBLIC

Figure 1.9
 Sorting Center in Al-Bassa
 Sorting Building - 2

SCALE	1/250
JAPAN INTERNATIONAL COOPERATION AGENCY	



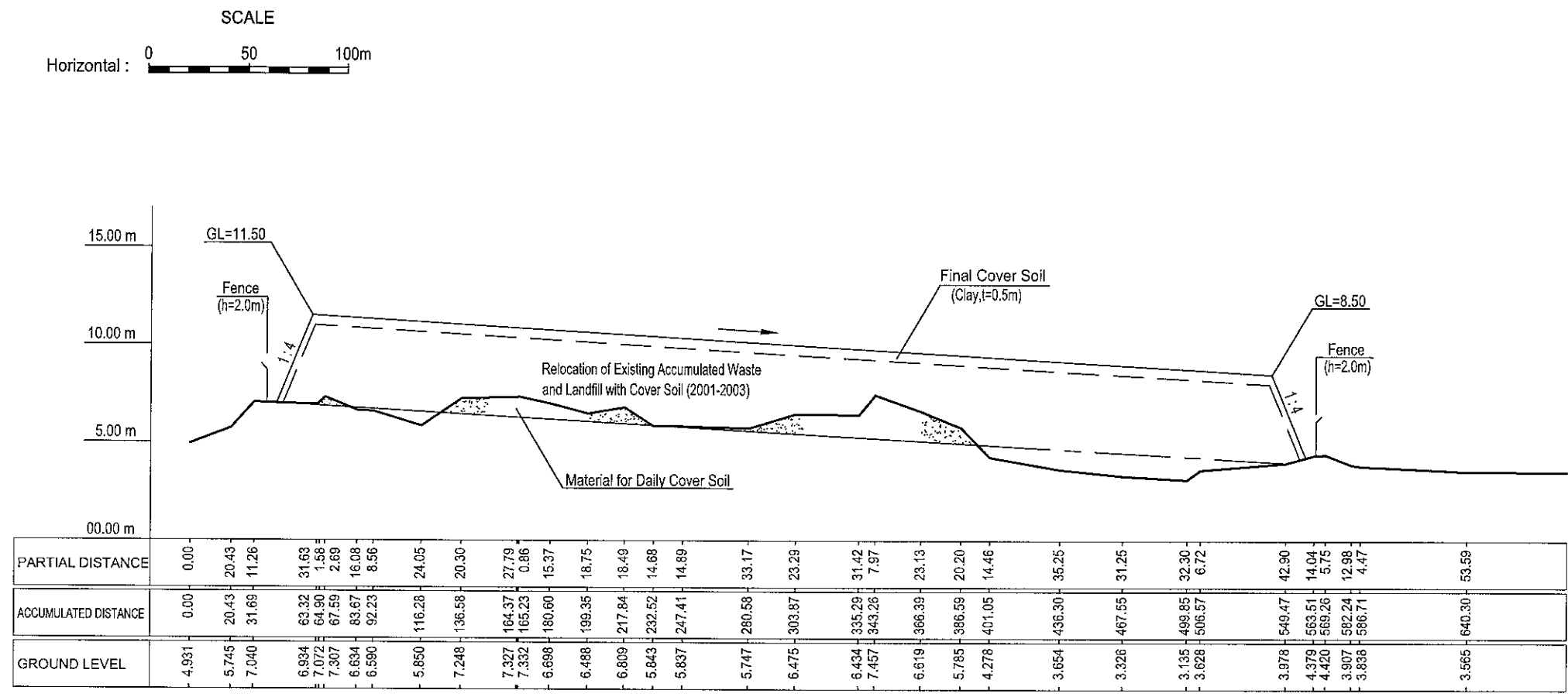


MINISTRY OF LOCAL ADMINISTRATION
MINISTRY OF ENVIRONMENT
LATTAKIA CITY COUNCIL
HOMS CITY COUNCIL, THE SYRIAN ARAB REPUBLIC

THE STUDY ON SOLID WASTE MANAGEMENT
AT LOCAL CITIES IN THE SYRIAN ARAB REPUBLIC

Figure 1.11
 Al-Bassa Disposal Site
 Rehabilitation Plan of Zone I and II

SCALE
JAPAN INTERNATIONAL COOPERATION AGENCY



Typical Longitudinal Cross Section (A - A) of the Rehabilitation in Zone I & II

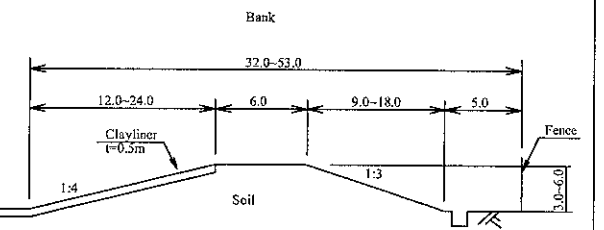
MINISTRY OF LOCAL ADMINISTRATION
 MINISTRY OF ENVIRONMENT
 LATTAKIA CITY COUNCIL
 HOMS CITY COUNCIL, THE SYRIAN ARAB REPUBLIC

THE STUDY ON SOLID WASTE MANAGEMENT
 AT LOCAL CITIES IN THE SYRIAN ARAB REPUBLIC

Figure 1.12
 Al-Bassa Disposal Site
 Cross Section of Zone I and II

SCALE

JAPAN INTERNATIONAL COOPERATION AGENCY

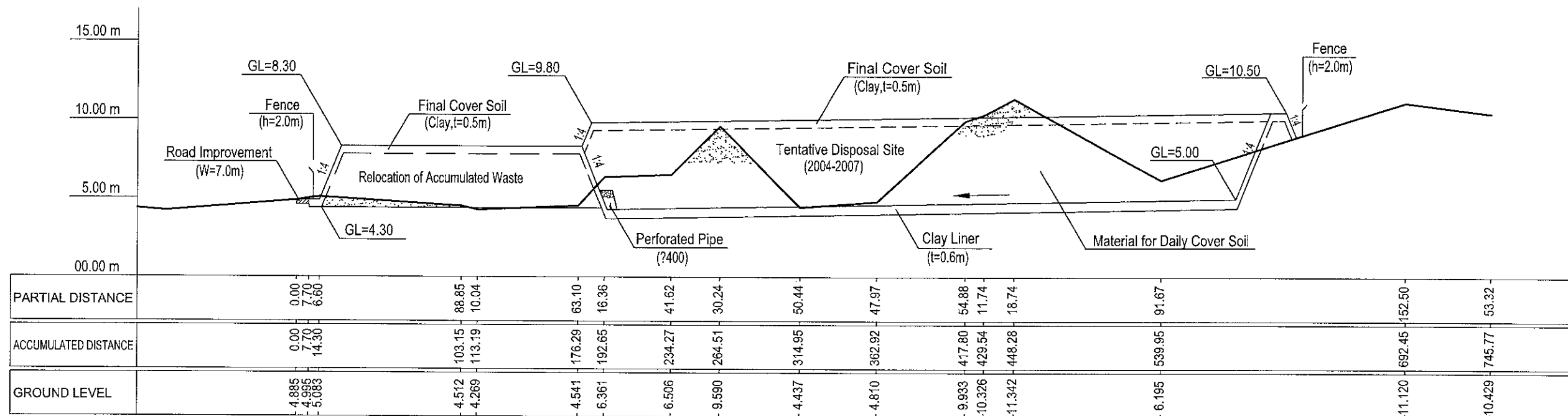
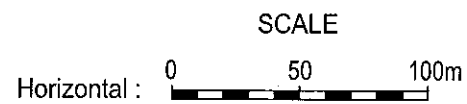


MINISTRY OF LOCAL ADMINISTRATION
 MINISTRY OF ENVIRONMENT
 LATTAKIA CITY COUNCIL
 HOMS CITY COUNCIL, THE SYRIAN ARAB REPUBLIC
 THE STUDY ON SOLID WASTE MANAGEMENT
 AT LOCAL CITIES IN THE SYRIAN ARAB REPUBLIC

Figure 1.13
 Al-Bassa Disposal Site
 Rehabilitation Plan of Zone III

SCALE

JAPAN INTERNATIONAL COOPERATION AGENCY



Typical Longitudinal Cross Section (B - B) of the Rehabilitation in Zone III

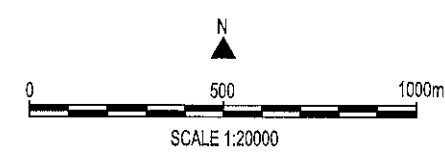
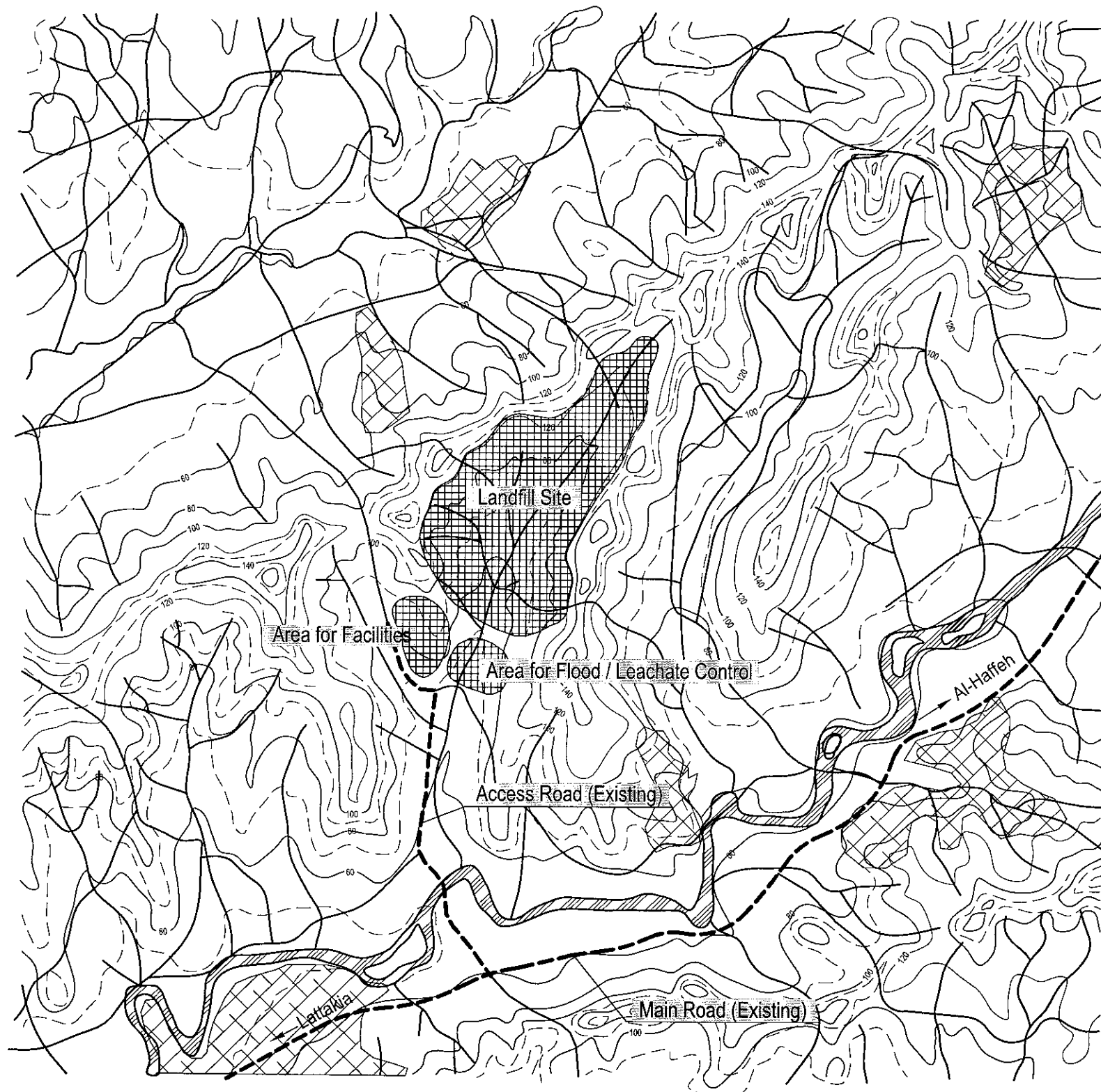
MINISTRY OF LOCAL ADMINISTRATION
 MINISTRY OF ENVIRONMENT
 LATTAKIA CITY COUNCIL
 HOMS CITY COUNCIL, THE SYRIAN ARAB REPUBLIC

THE STUDY ON SOLID WASTE MANAGEMENT
 AT LOCAL CITIES IN THE SYRIAN ARAB REPUBLIC

Figure 1.14
 Al-Bassa Disposal Site
 Cross Section of Zone III

SCALE

JAPAN INTERNATIONAL COOPERATION AGENCY

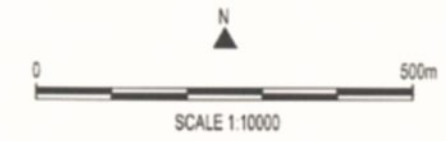
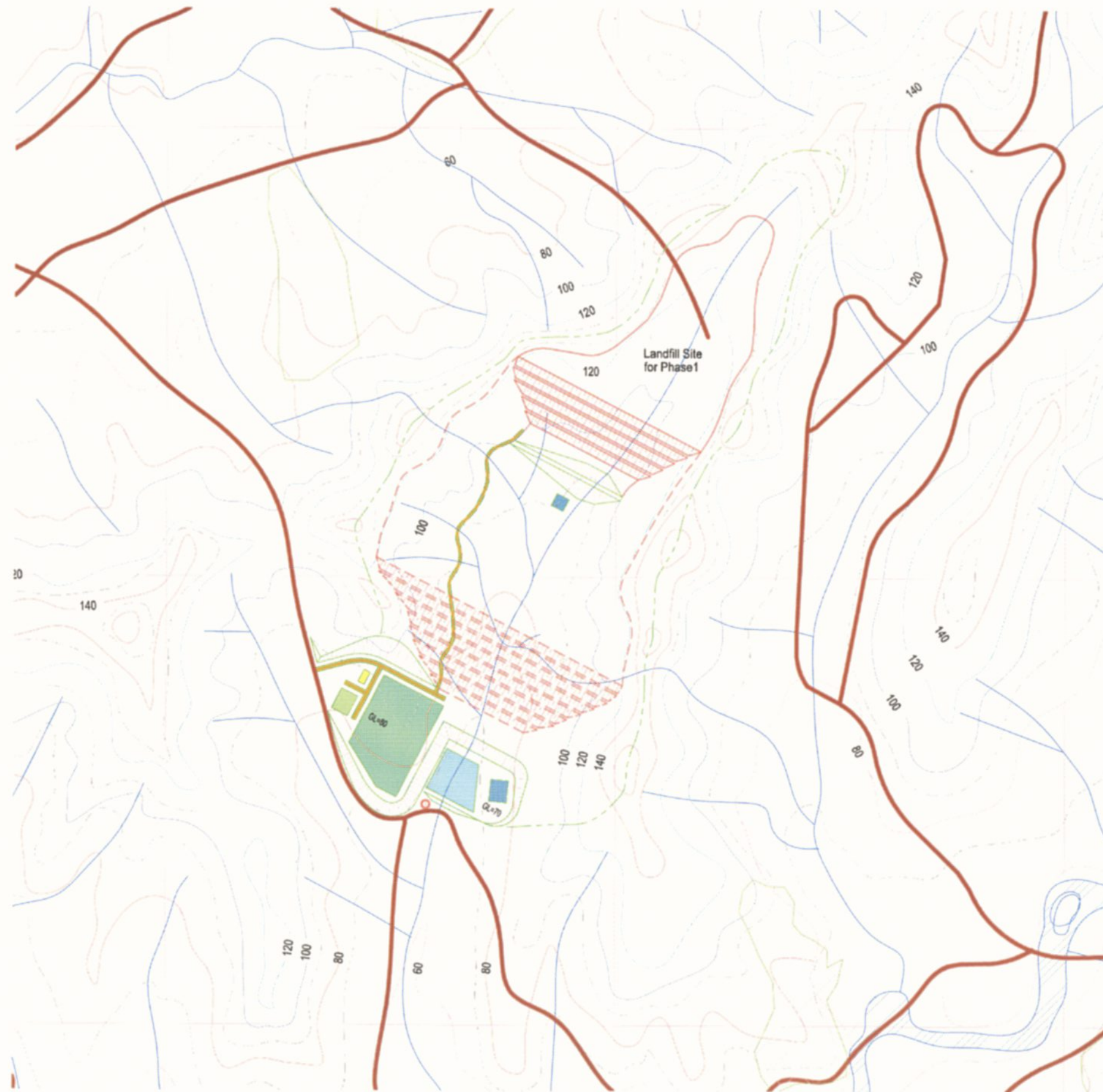


MINISTRY OF LOCAL ADMINISTRATION
MINISTRY OF ENVIRONMENT
LATTAKIA CITY COUNCIL
HOMS CITY COUNCIL, THE SYRIAN ARAB REPUBLIC

THE STUDY ON SOLID WASTE MANAGEMENT
AT LOCAL CITIES IN THE SYRIAN ARAB REPUBLIC

Figure 2.1
 Qasia Disposal Site
 Location and Conceptual Plan

SCALE	1:20000
JAPAN INTERNATIONAL COOPERATION AGENCY	



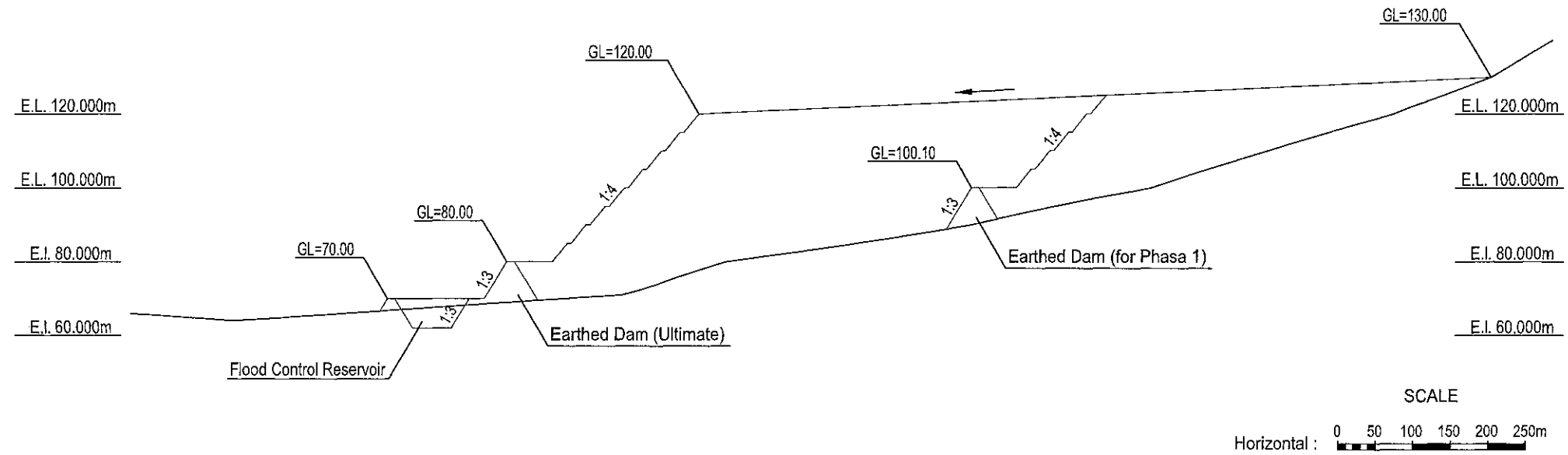
LEGEND	
	Road (Existing)
	Waterway (Existing)
	Catchment Boundary
	Road (Asphalt)
	Operation Road (Gravel)
	Slope (Cut / Bank)
	Slope of Landfill (Phase1)
	Slope of Landfill (Final)
	Compost Plant
	Sorting Center
	Main Control Building
	Flood Control Reservoir
	Leachate Control Reservoir (Tentative)
	Leachate Control Reservoir (Ultimate)
	Groundwater Monitoring Well

MINISTRY OF LOCAL ADMINISTRATION
 MINISTRY OF ENVIRONMENT
 LATTAKIA CITY COUNCIL
 HOMS CITY COUNCIL, THE SYRIAN ARAB REPUBLIC

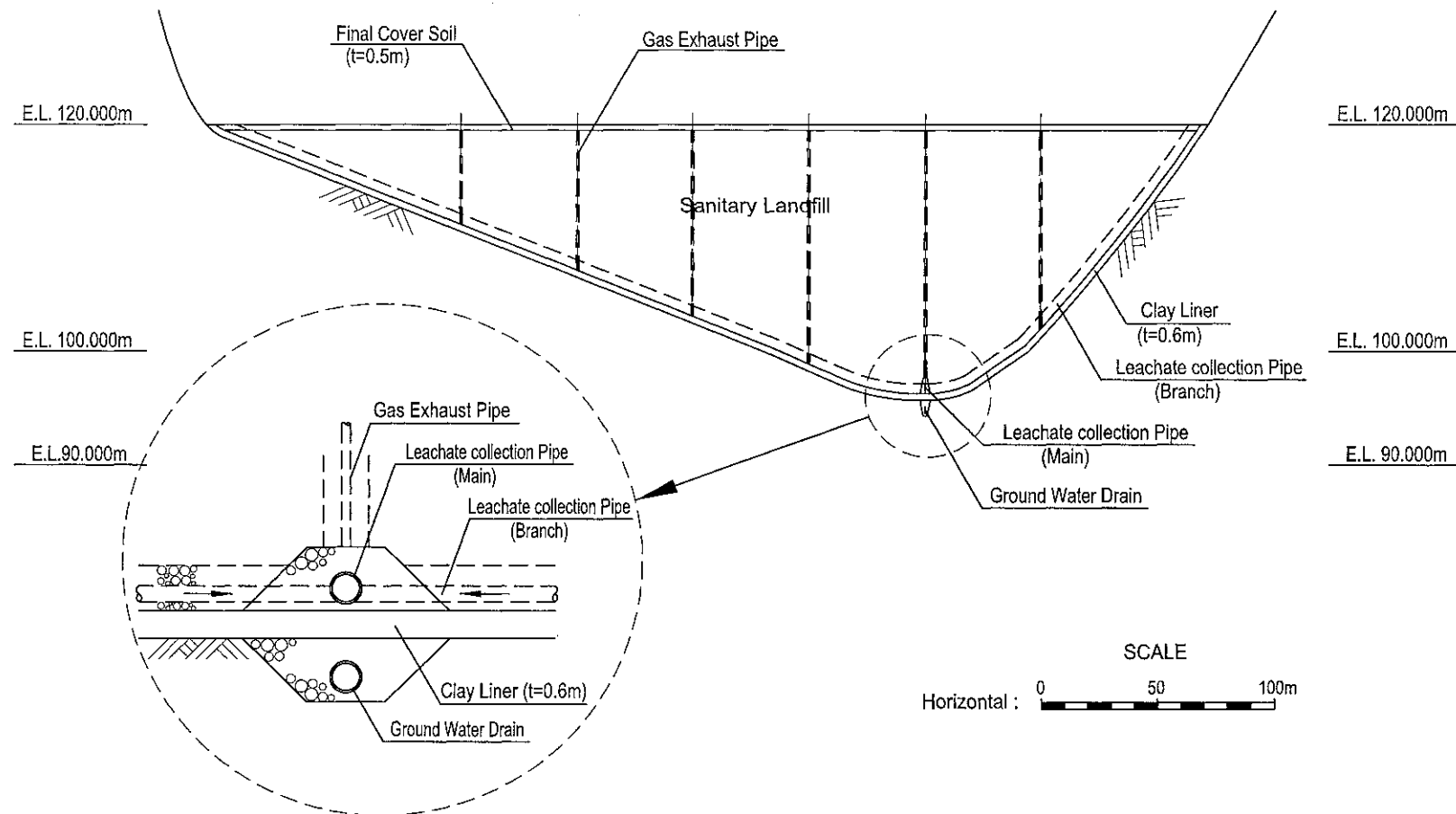
THE STUDY ON SOLID WASTE MANAGEMENT
 AT LOCAL CITIES IN THE SYRIAN ARAB REPUBLIC

Figure 2.2
 Qasia Disposal Site
 Layout Plan

SCALE	1 : 10000
JAPAN INTERNATIONAL COOPERATION AGENCY	



Typical Longitudinal Cross Section (A - A) of Qasia Inter-municipal the Disposal Site



Cross Section (B - B) of Landfill Site for Phase I of Qasia Inter-municipal Disposal Site

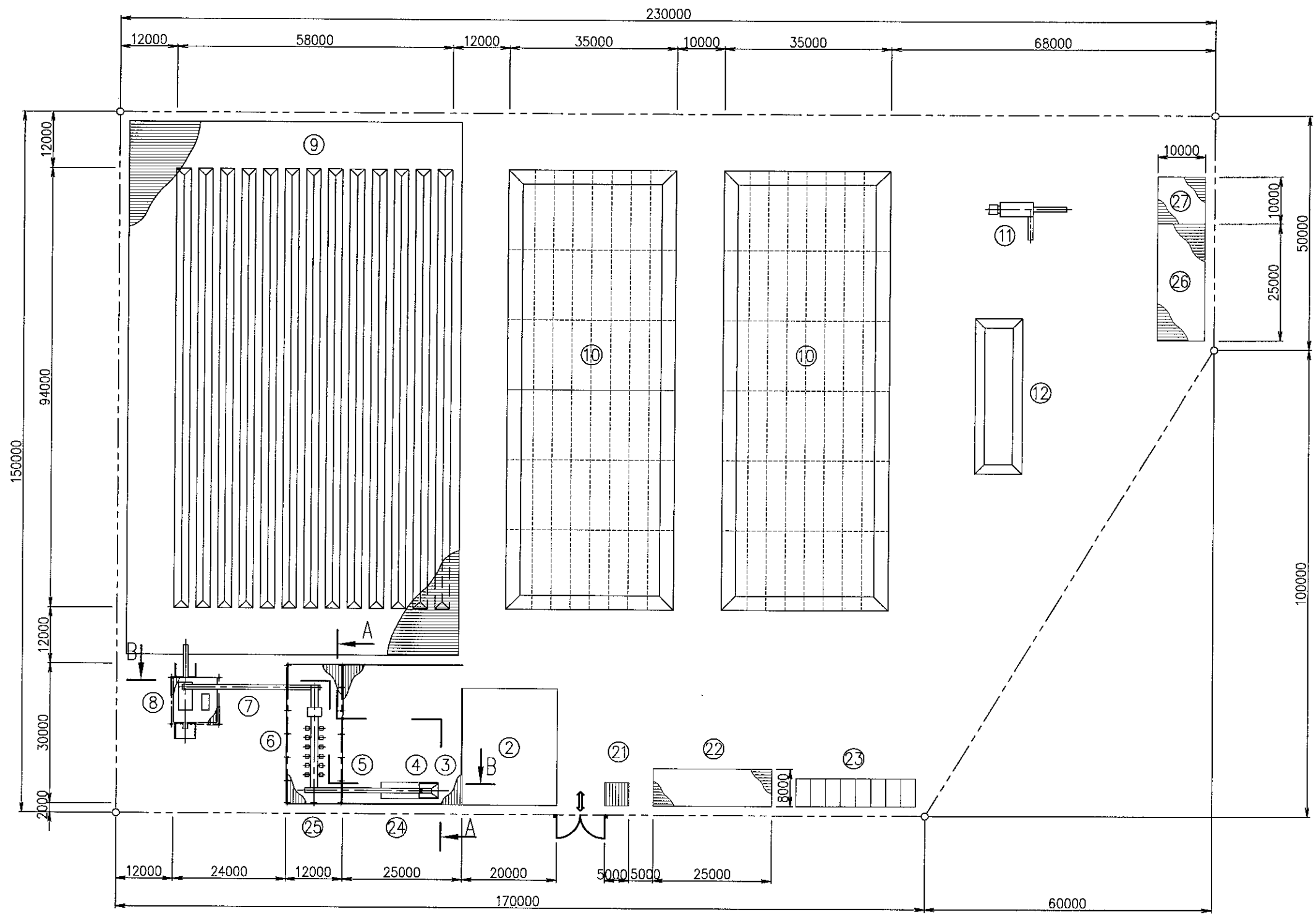
MINISTRY OF LOCAL ADMINISTRATION
 MINISTRY OF ENVIRONMENT
 LATTAKIA CITY COUNCIL
 HOMS CITY COUNCIL, THE SYRIAN ARAB REPUBLIC

THE STUDY ON SOLID WASTE MANAGEMENT
 AT LOCAL CITIES IN THE SYRIAN ARAB REPUBLIC

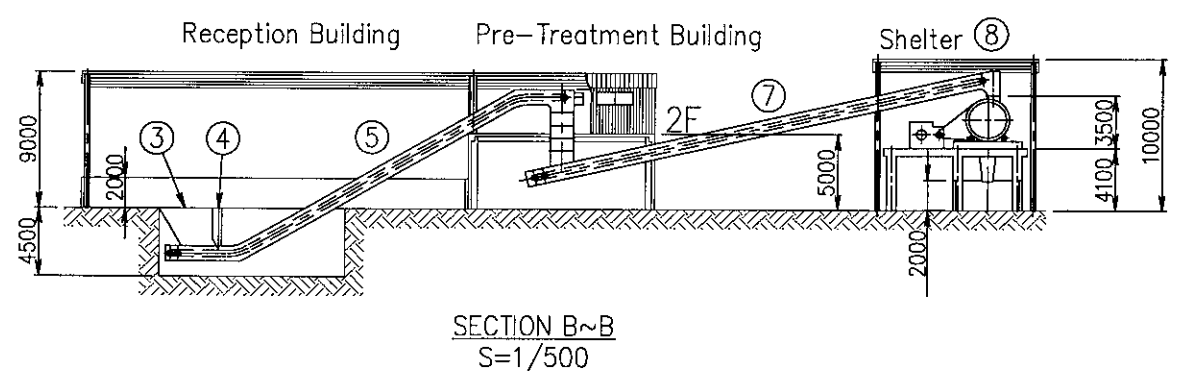
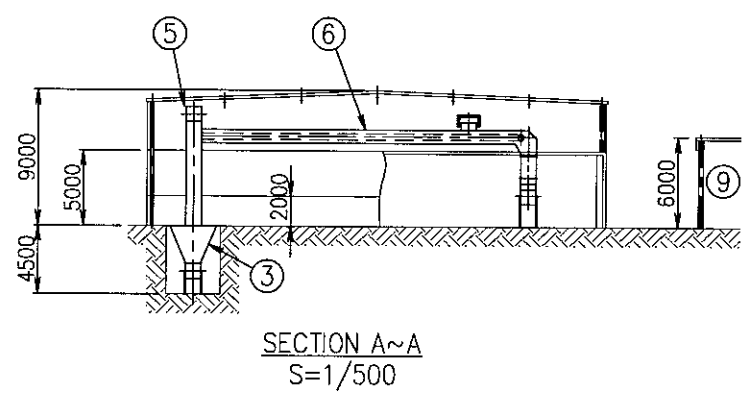
Figure 2.3
 Qasia Inter-municipal
 Disposal Site, Cross Sections

SCALE

JAPAN INTERNATIONAL COOPERATION AGENCY



- ① Truck Scale (*)
 - ② Storage Area
 - ③ Waste Hopper
 - ④ Bag Breaker
 - ⑤ Waste Feeding Conveyor
 - ⑥ Hand Sorting Area
 - ⑦ Compostable Waste Conveyor
 - ⑧ Pulverizing Classifier
 - ⑨ Fermentation Yard
 - ⑩ Maturing Yard
 - ⑪ Compost Screen
 - ⑫ Compost Stock Yard
 - ⑰ Guard House
 - ⑱ Administration Building
 - ⑲ Parking Area
 - ⑳ Reception Building
 - ㉑ Pre-Treatment Building
 - ㉒ Garage
 - ㉓ Shower Room
- (*) Truck scale is installed at the entrance of new recycling center in Qasia



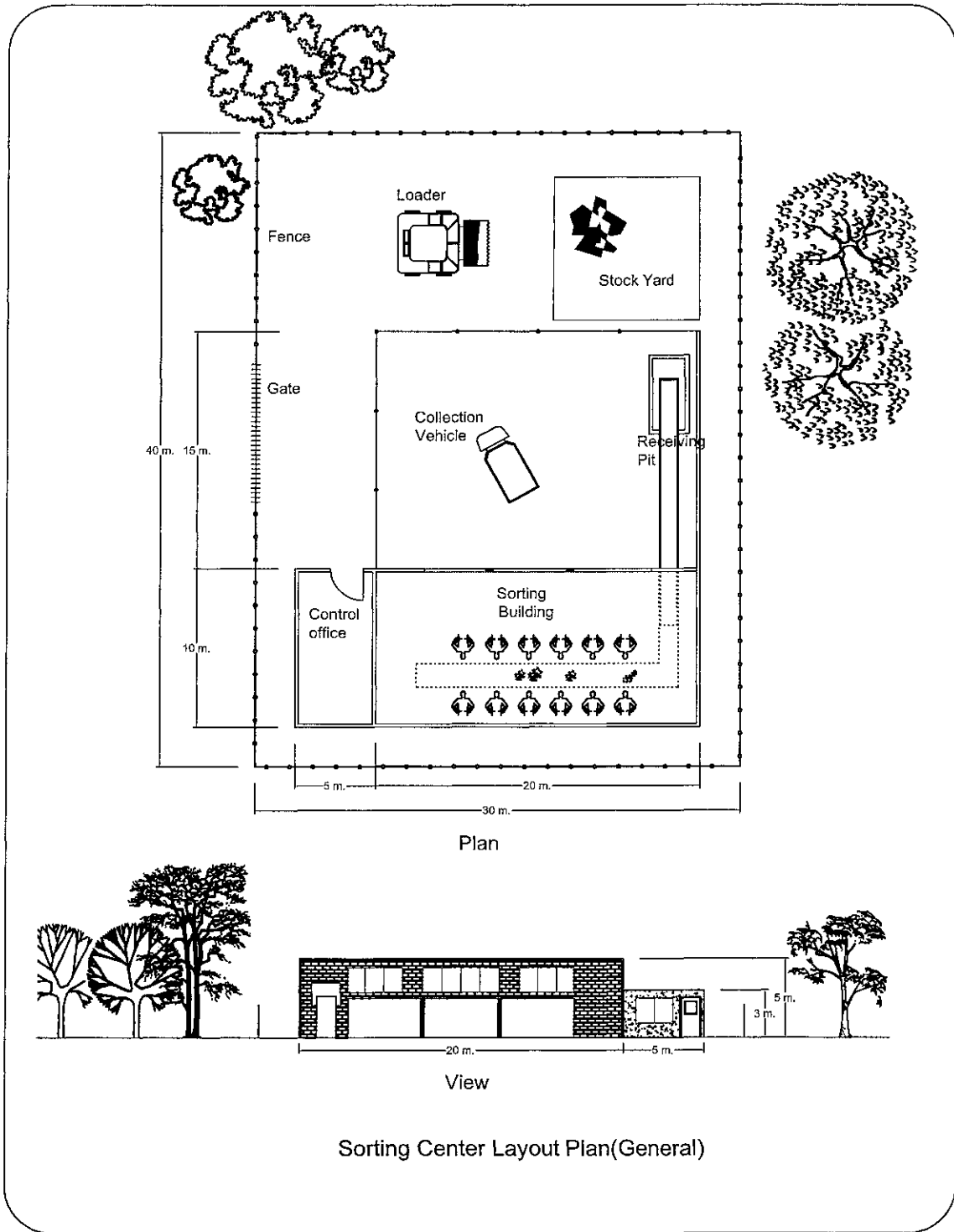
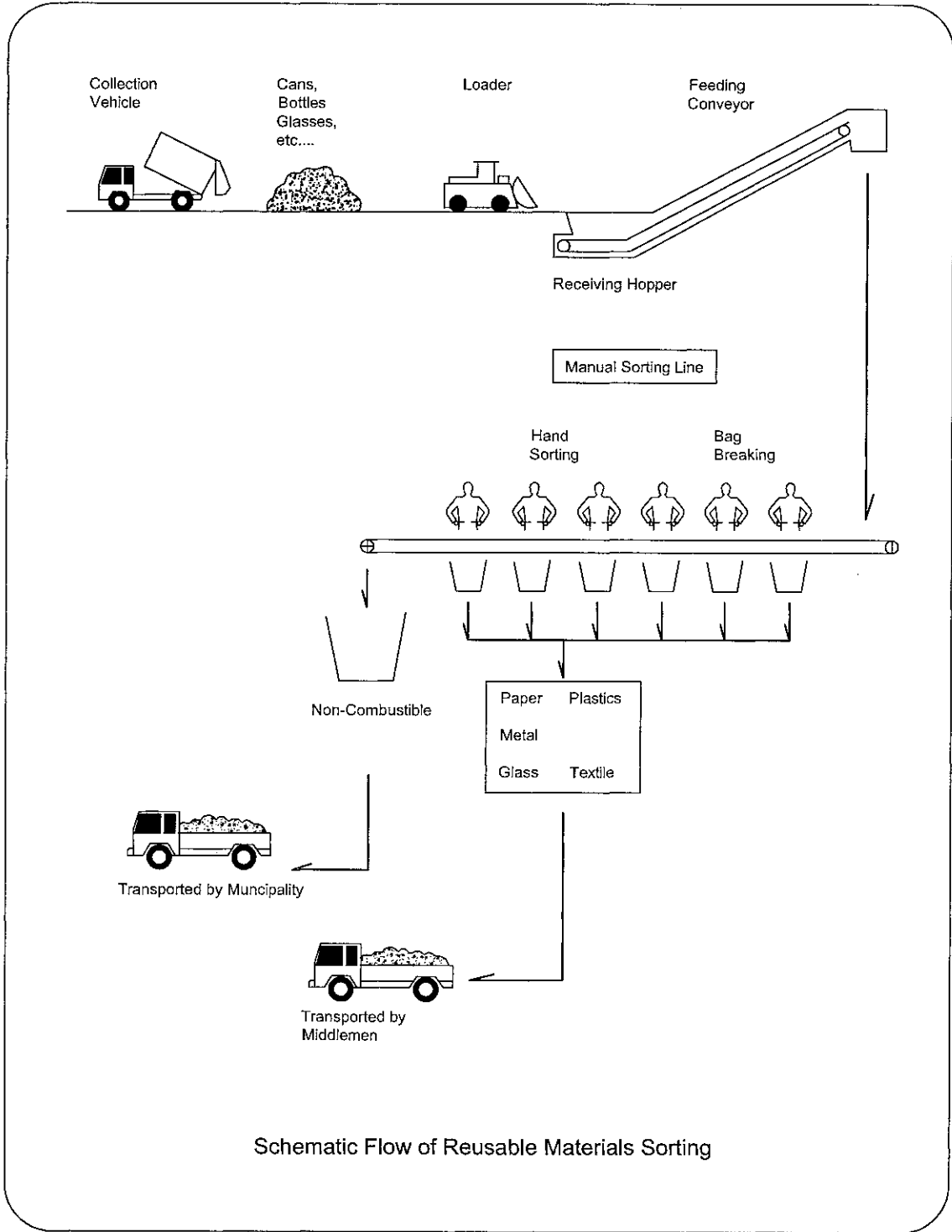
MINISTRY OF LOCAL ADMINISTRATION
MINISTRY OF ENVIRONMENT
LATTAKIA CITY COUNCIL
HOMS CITY COUNCIL, THE SYRIAN ARAB REPUBLIC

THE STUDY ON SOLID WASTE MANAGEMENT
AT LOCAL CITIES IN THE SYRIAN ARAB REPUBLIC

Figure 2.4
 Qasia Disposal Site
 Compost Plant (150 t/d)

SCALE	1/1000, 1/500
-------	---------------

JAPAN INTERNATIONAL COOPERATION AGENCY



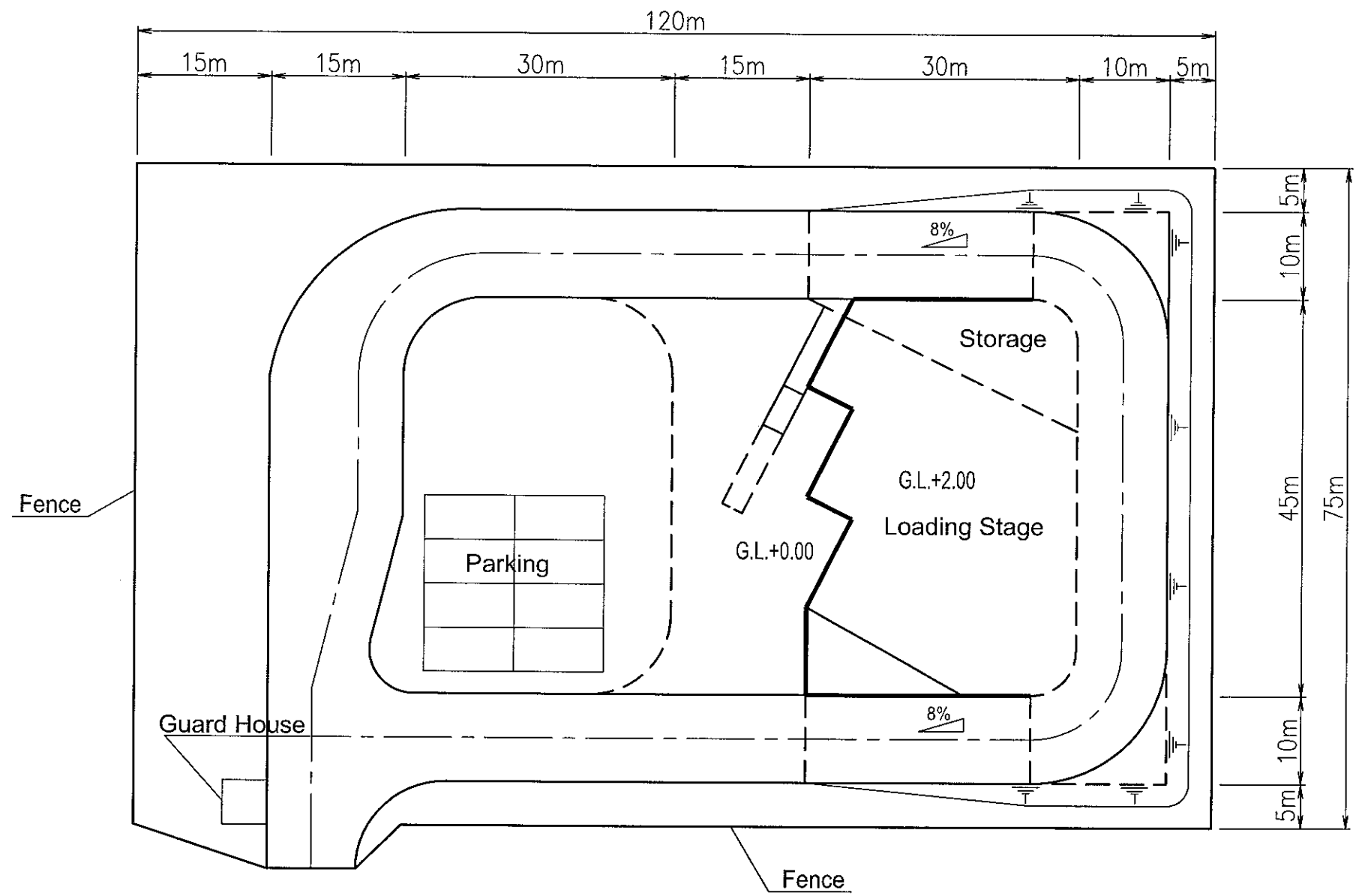
MINISTRY OF LOCAL ADMINISTRATION
 MINISTRY OF ENVIRONMENT
 LATTAKIA CITY COUNCIL
 HOMS CITY COUNCIL, THE SYRIAN ARAB REPUBLIC

THE STUDY ON SOLID WASTE MANAGEMENT
 AT LOCAL CITIES IN THE SYRIAN ARAB REPUBLIC

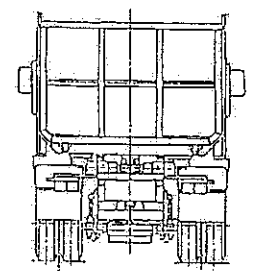
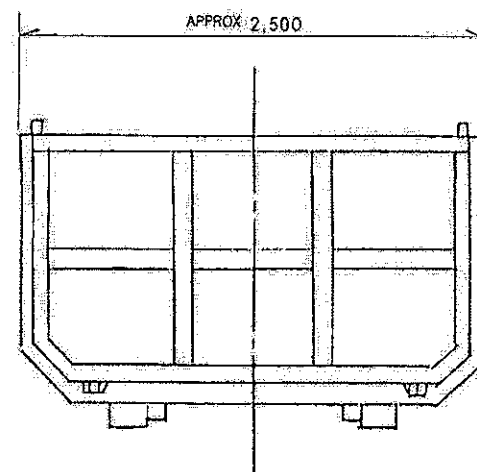
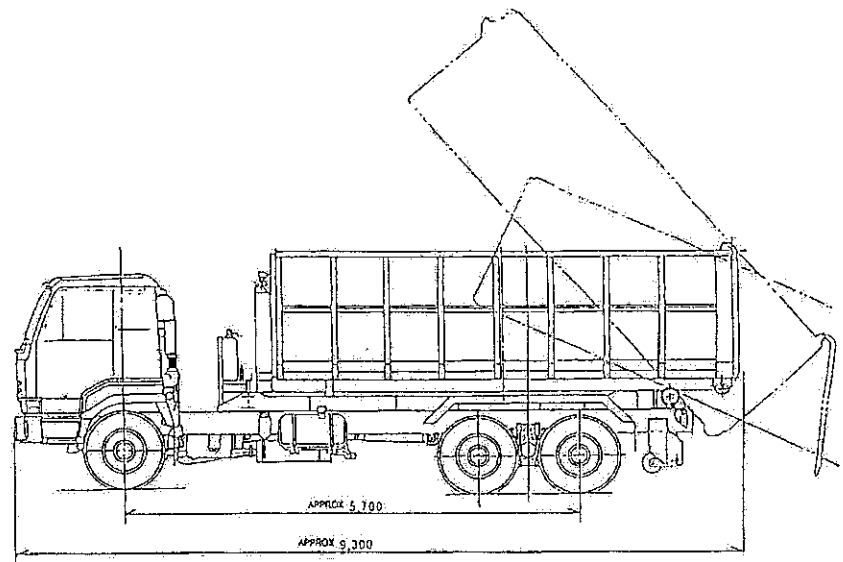
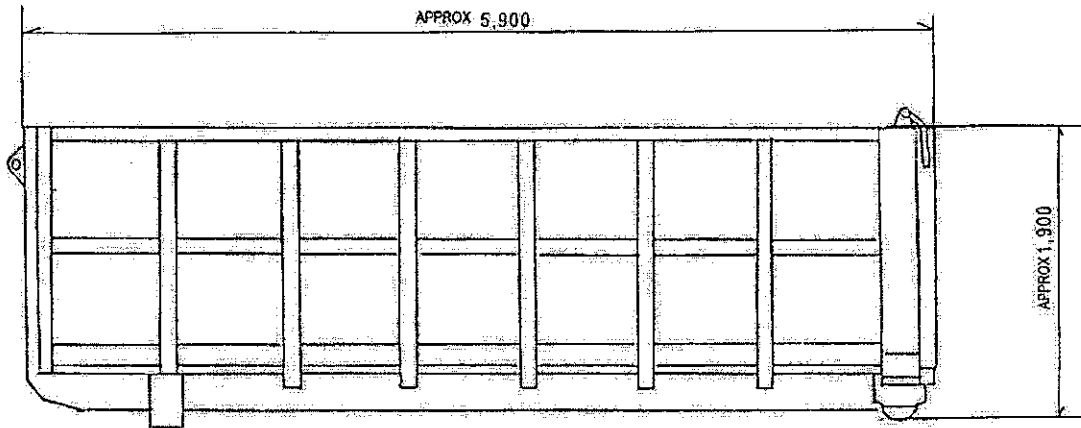
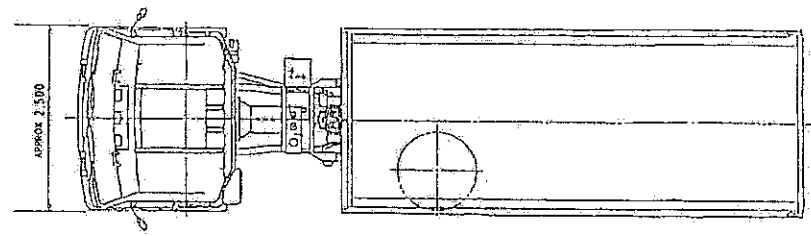
Figure 2.5
 Qasia Disposal Site
 Sorting Center

SCALE

JAPAN INTERNATIONAL COOPERATION AGENCY



MINISTRY OF LOCAL ADMINISTRATION MINISTRY OF ENVIRONMENT LATTAKIA CITY COUNCIL HOMS CITY COUNCIL, THE SYRIAN ARAB REPUBLIC	
THE STUDY ON SOLID WASTE MANAGEMENT AT LOCAL CITIES IN THE SYRIAN ARAB REPUBLIC	
Figure 2.6 Transfer Station	
SCALE	
JAPAN INTERNATIONAL COOPERATION AGENCY	



Container Truck

20 m³ Container

MINISTRY OF LOCAL ADMINISTRATION
 MINISTRY OF ENVIRONMENT
 LATTAKIA CITY COUNCIL
 HOMS CITY COUNCIL, THE SYRIAN ARAB REPUBLIC

THE STUDY ON SOLID WASTE MANAGEMENT
 AT LOCAL CITIES IN THE SYRIAN ARAB REPUBLIC

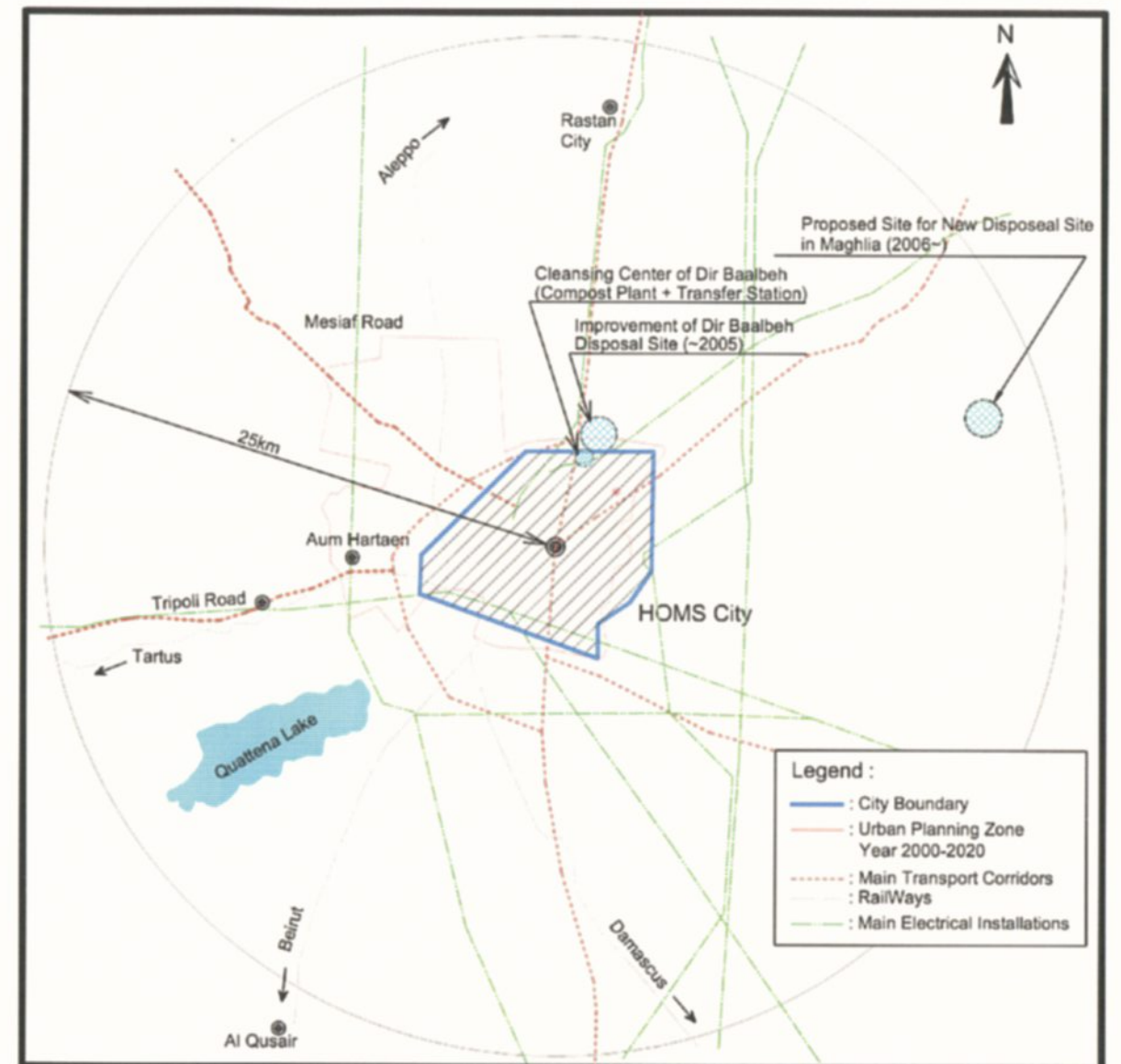
Figure 2.7
 Transfer Station,
 Transportation Equipment
 Container Truck and 20m³ Container

SCALE

JAPAN INTERNATIONAL COOPERATION AGENCY

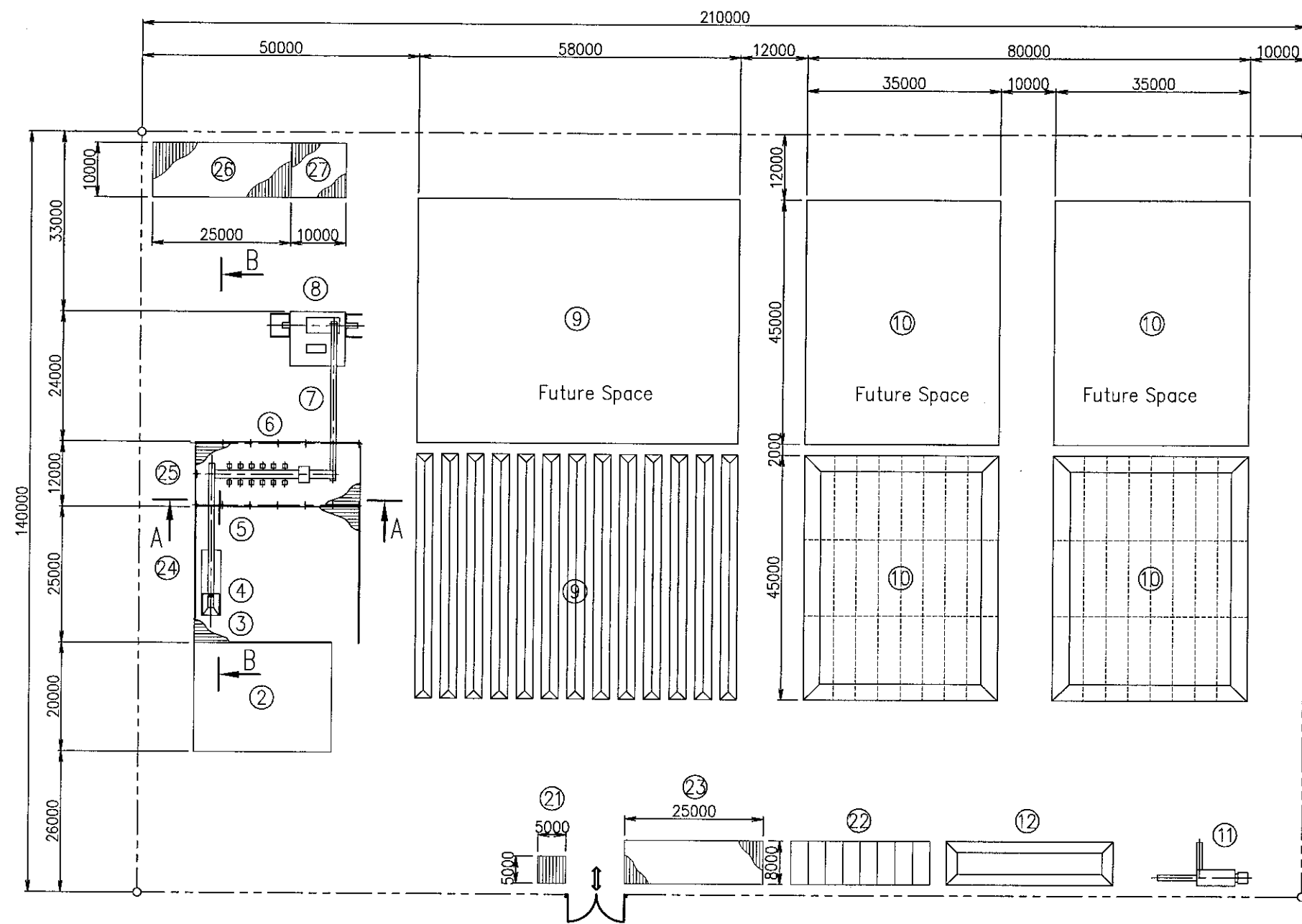


Layout Plan of Homs Cleansing Center



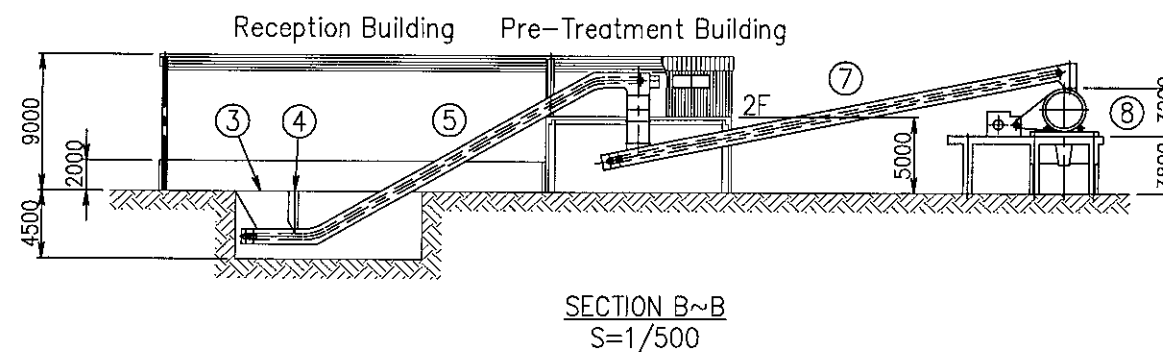
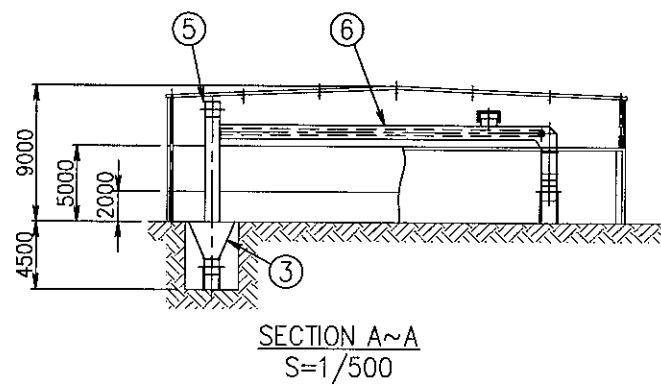
Location of Proposed SWM Facilities in Homs

MINISTRY OF LOCAL ADMINISTRATION MINISTRY OF ENVIRONMENT LATTAKIA CITY COUNCIL HOMS CITY COUNCIL, THE SYRIAN ARAB REPUBLIC	
THE STUDY ON SOLID WASTE MANAGEMENT AT LOCAL CITIES IN THE SYRIAN ARAB REPUBLIC	
Figure 3.1 Homs Cleansing Center General Plan	
SCALE	
JAPAN INTERNATIONAL COOPERATION AGENCY	



- ① Truck Scale (*)
- ② Storage Area
- ③ Waste Hopper
- ④ Bag Breaker
- ⑤ Waste Feeding Conveyor
- ⑥ Reception Building
- ⑦ Compostable Waste Conveyor
- ⑧ Pulverizing Classifier
- ⑨ Fermentation Yard
- ⑩ Maturing Yard
- ⑪ Compost Screen
- ⑫ Compost Stock Yard
- ⑰ Guard House
- ⑱ Parking Area
- ⑲ Administration Building
- ⑳ Reception Building
- ㉑ Pre-Treatment Building
- ㉒ Garage
- ㉓ Shower Room

(*) Truck scale is installed at the entrance of the cleansing center



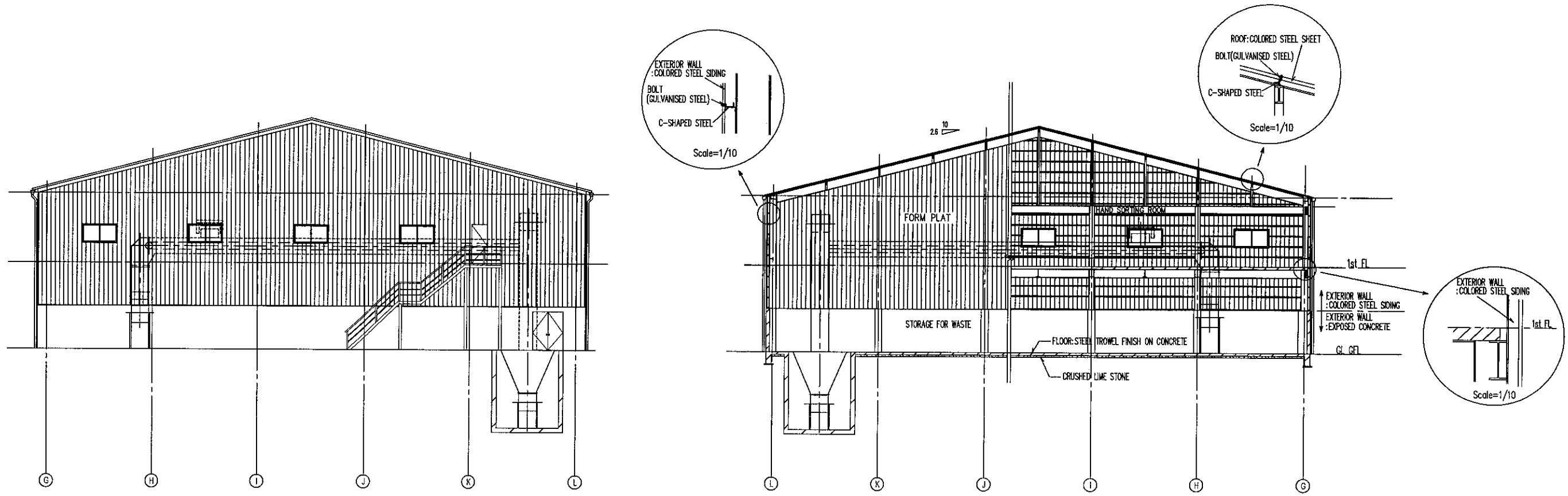
MINISTRY OF LOCAL ADMINISTRATION
MINISTRY OF ENVIRONMENT
LATTAKIA CITY COUNCIL
HOMS CITY COUNCIL, THE SYRIAN ARAB REPUBLIC

THE STUDY ON SOLID WASTE MANAGEMENT
AT LOCAL CITIES IN THE SYRIAN ARAB REPUBLIC

Figure 3.2
Compost Plant in Homs (50 t/d)
Plot Plan

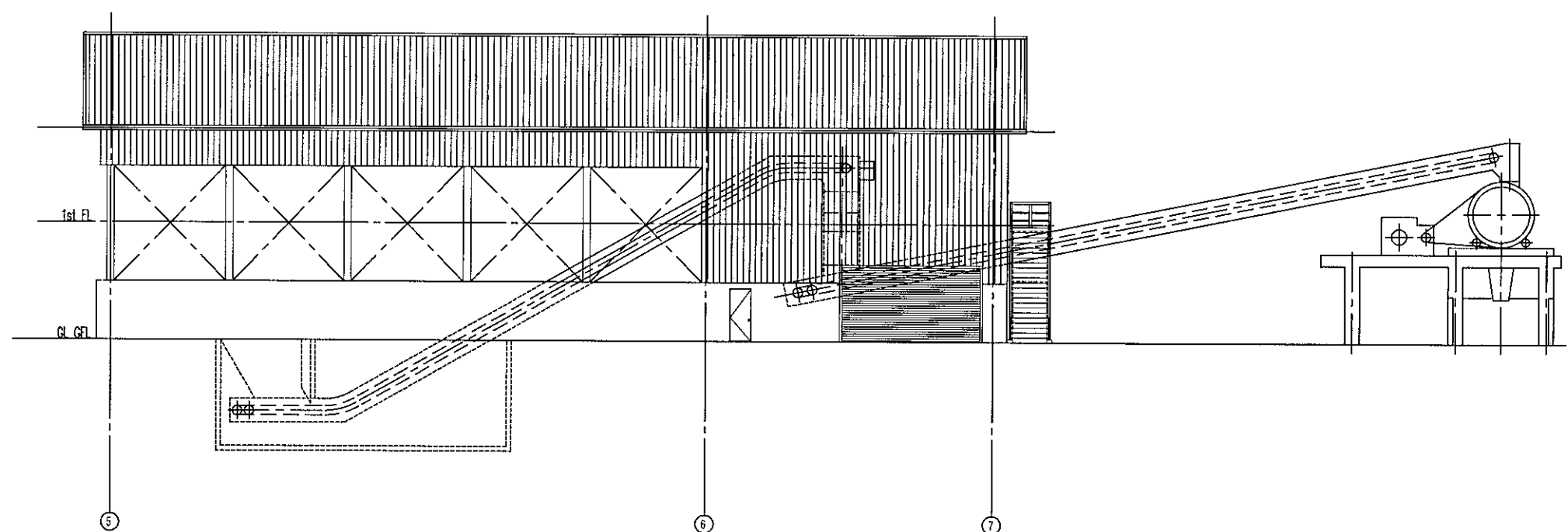
SCALE 1/1000, 1/500

JAPAN INTERNATIONAL COOPERATION AGENCY



EAST - ELEVATION
Scale = 1/250

SECTION
Scale = 1/250



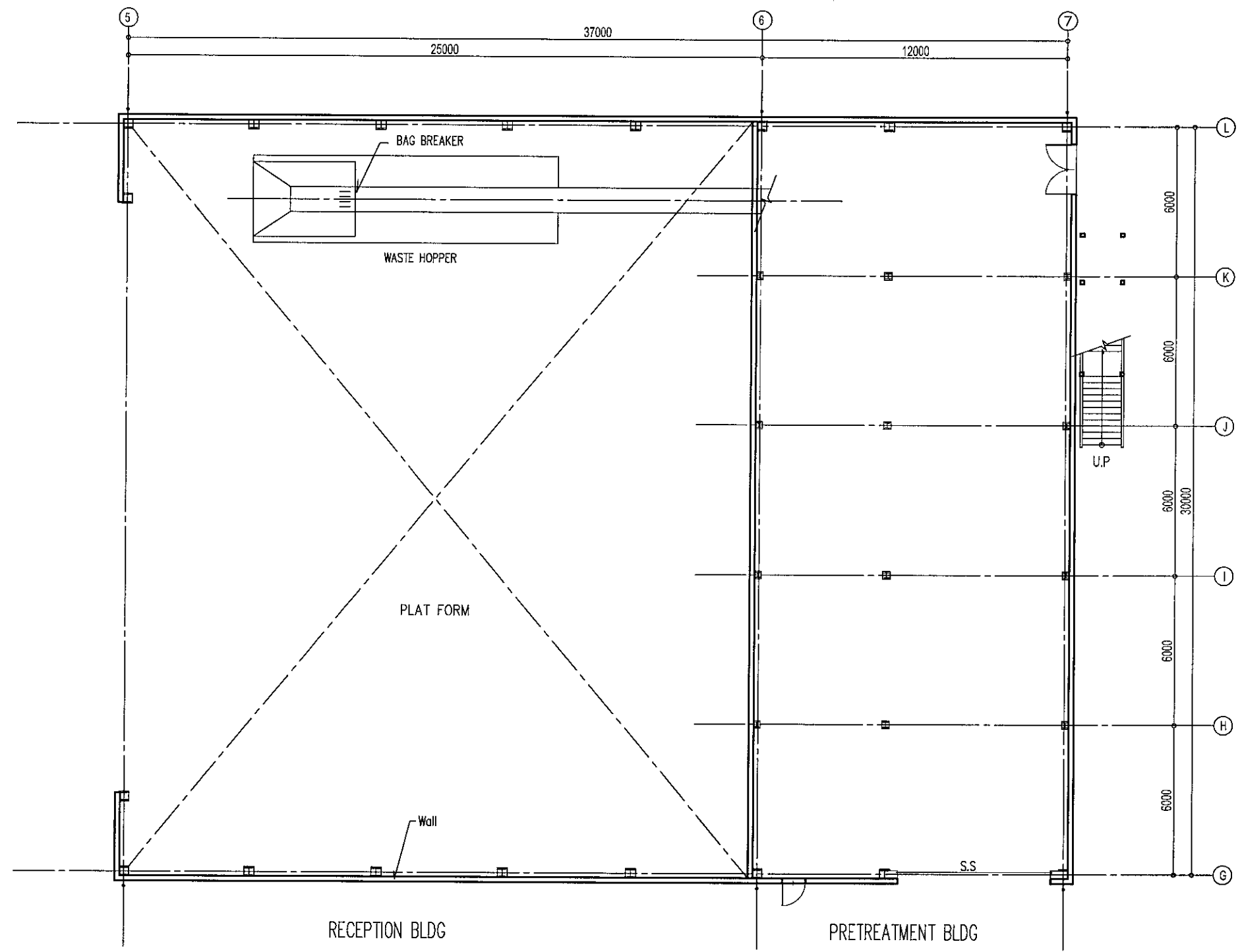
SOUTH - ELEVATION
Scale = 1/250

MINISTRY OF LOCAL ADMINISTRATION
MINISTRY OF ENVIRONMENT
LATTAKIA CITY COUNCIL
HOMS CITY COUNCIL, THE SYRIAN ARAB REPUBLIC

THE STUDY ON SOLID WASTE MANAGEMENT
AT LOCAL CITIES IN THE SYRIAN ARAB REPUBLIC

Figure 3.3
Compost Plant in Homs
Reception Building-1

SCALE	1/250
JAPAN INTERNATIONAL COOPERATION AGENCY	



GROUND FLOOR PLAN

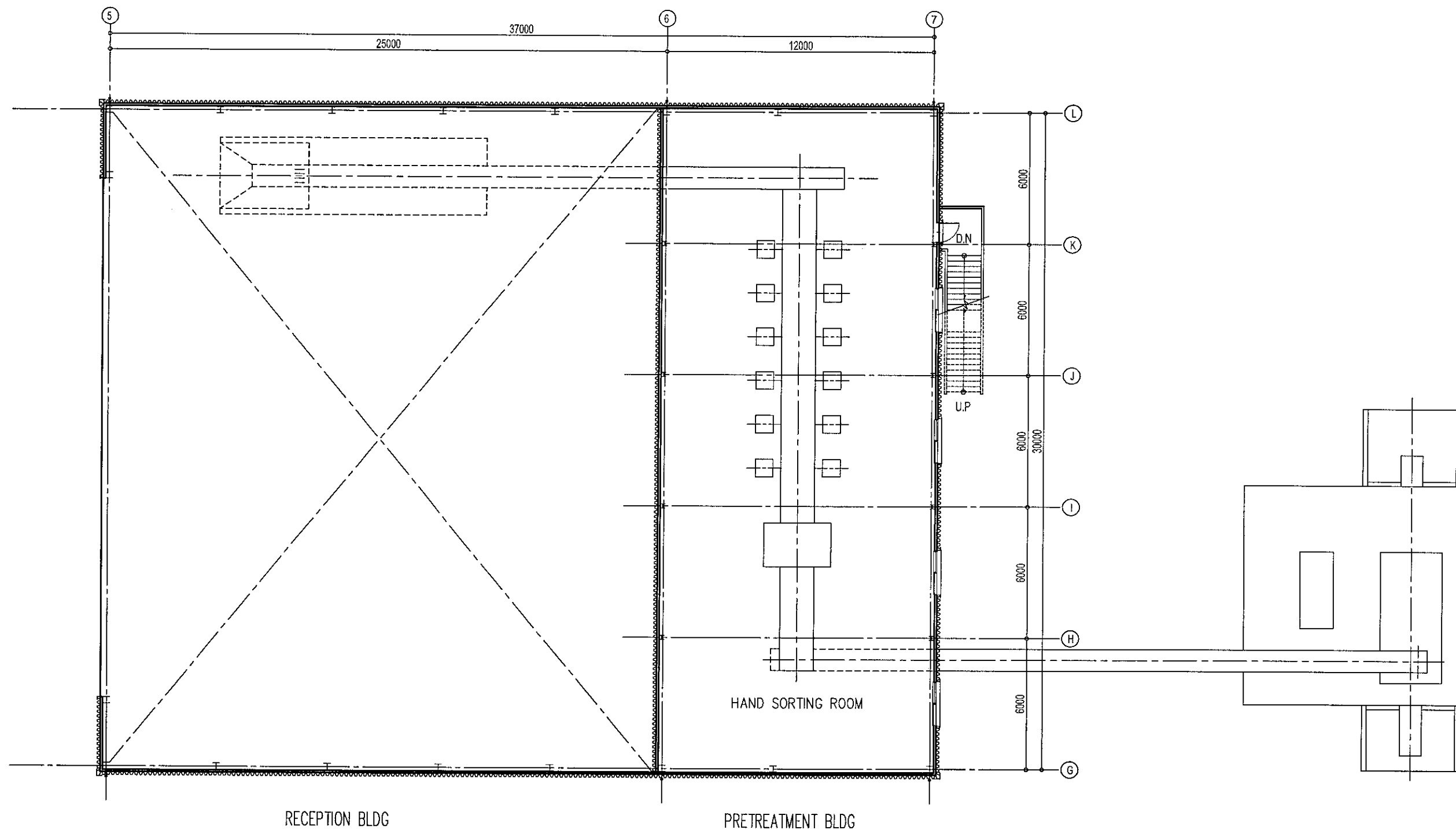
GL±0 Scale = 1/200

MINISTRY OF LOCAL ADMINISTRATION
 MINISTRY OF ENVIRONMENT
 LATTAKIA CITY COUNCIL
 HOMS CITY COUNCIL, THE SYRIAN ARAB REPUBLIC

THE STUDY ON SOLID WASTE MANAGEMENT
 AT LOCAL CITIES IN THE SYRIAN ARAB REPUBLIC

Figure 3.4
 Compost PLant in Homs
 Reception Building-2

SCALE	1/200
JAPAN INTERNATIONAL COOPERATION AGENCY	



RECEPTION BLDG

PRETREATMENT BLDG

1st FLOOR PLAN

GL+5000 Scale = 1/200

HAND SORTING ROOM

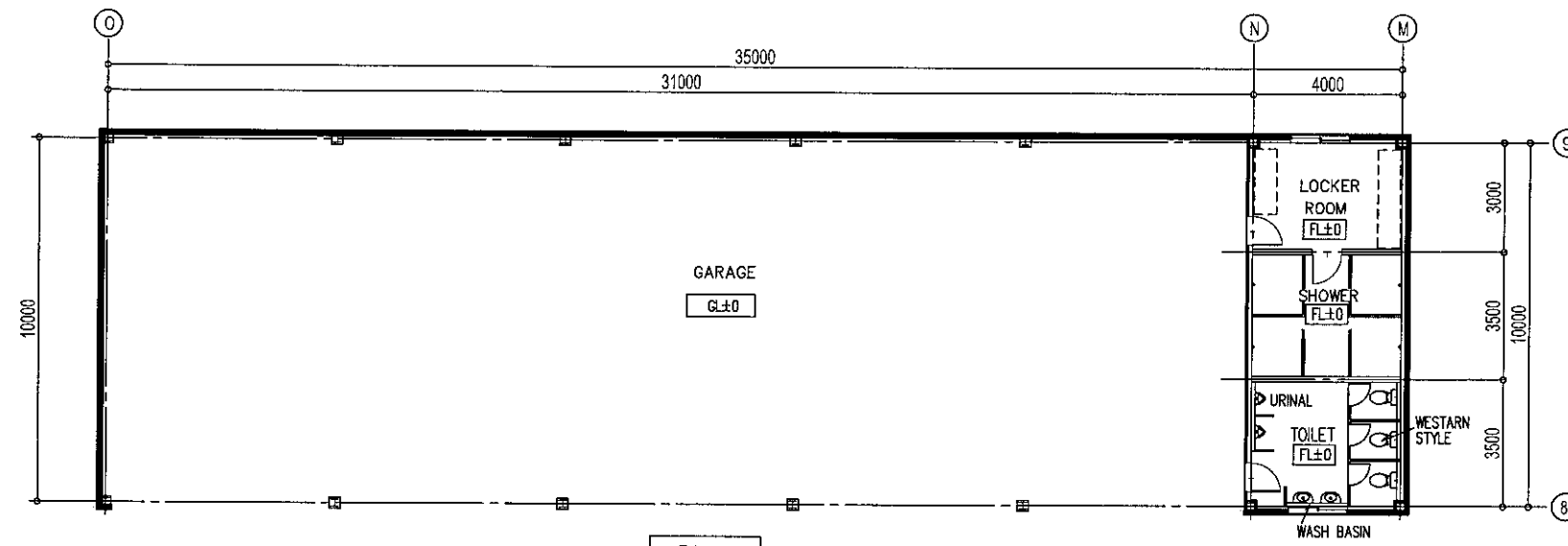
MINISTRY OF LOCAL ADMINISTRATION
 MINISTRY OF ENVIRONMENT
 LATTAKIA CITY COUNCIL
 HOMS CITY COUNCIL, THE SYRIAN ARAB REPUBLIC

THE STUDY ON SOLID WASTE MANAGEMENT
 AT LOCAL CITIES IN THE SYRIAN ARAB REPUBLIC

Figure 3.5
 Compost PLant in Homs
 Reception Building-3

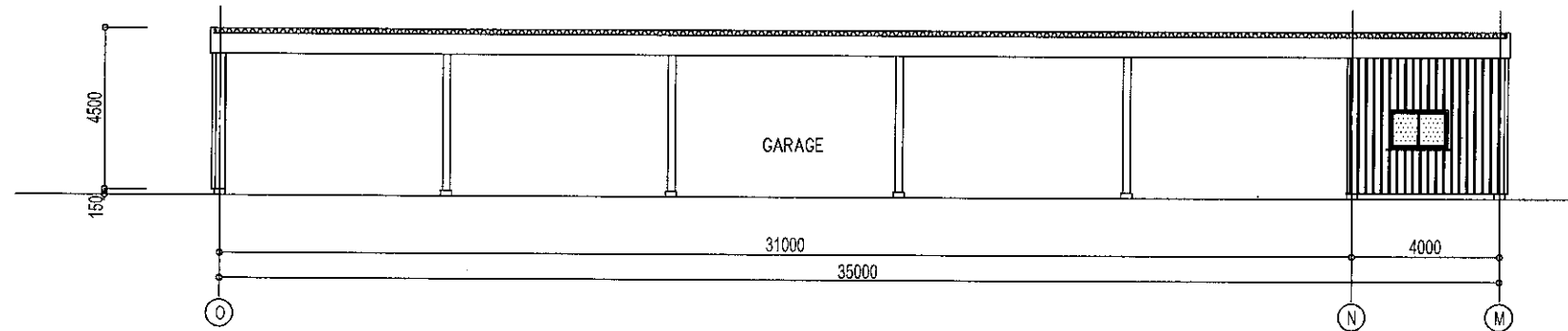
SCALE 1/200

JAPAN INTERNATIONAL COOPERATION AGENCY



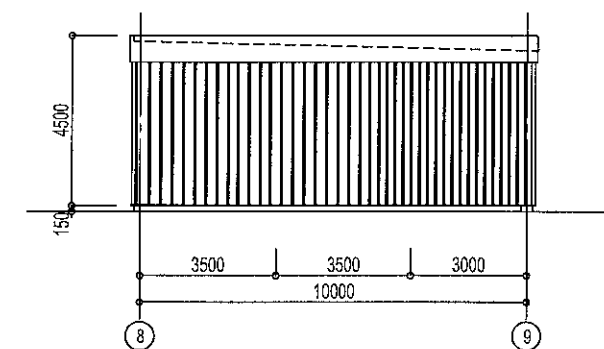
PLAN

GL+150 Scale = 1/200



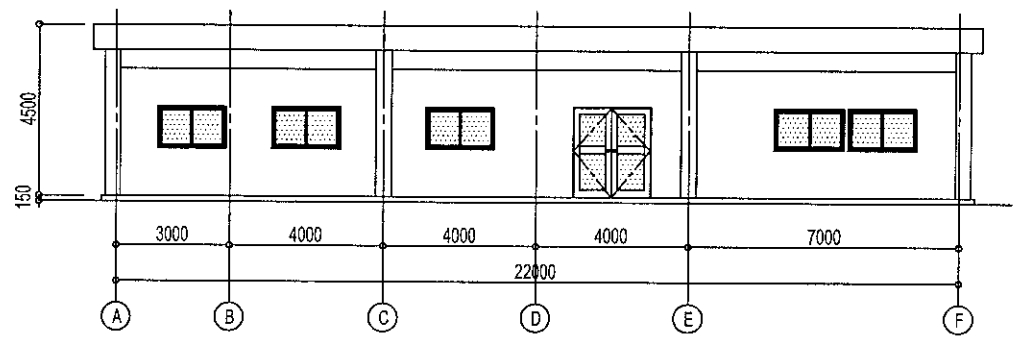
ELEVATION

Scale = 1/200



ELEVATION

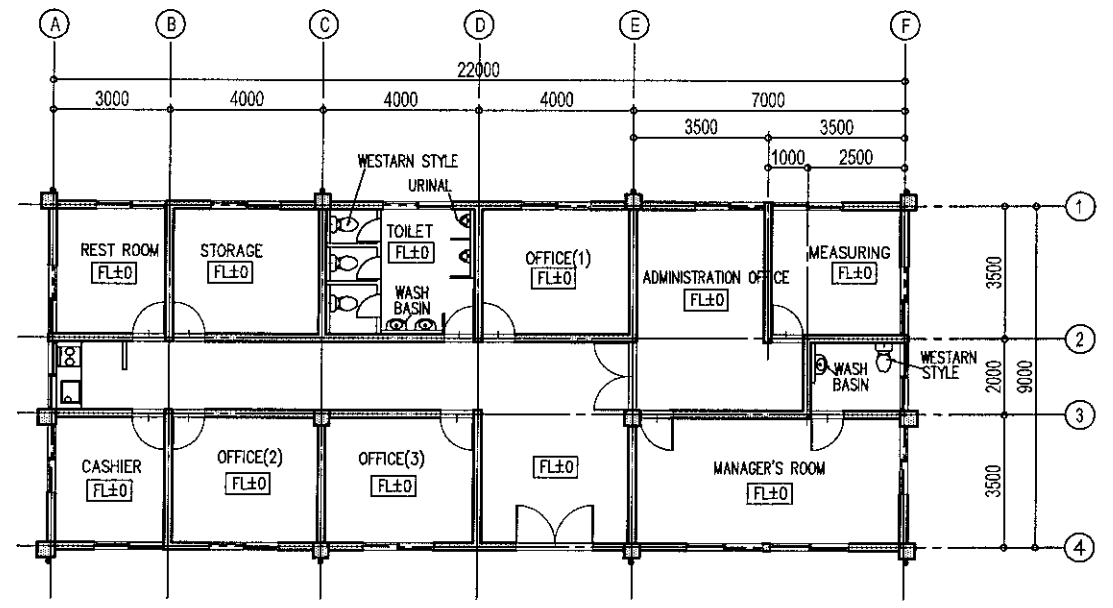
Scale = 1/200



ELEVATION

Scale = 1/200

ADMINISTRATION BUILDING



PLAN

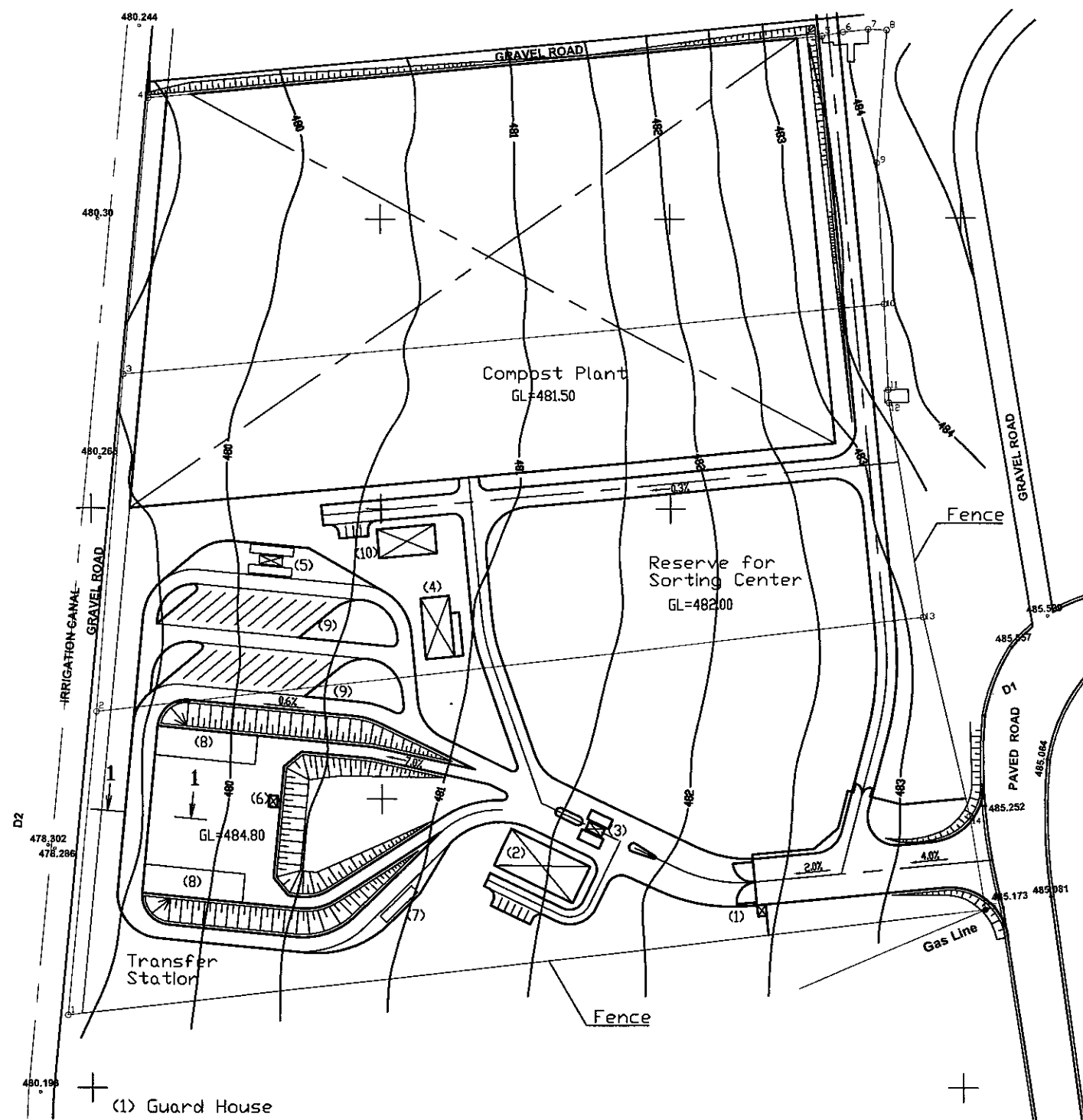
GL+150 Scale = 1/200

MINISTRY OF LOCAL ADMINISTRATION
 MINISTRY OF ENVIRONMENT
 LATTAKIA CITY COUNCIL
 HOMS CITY COUNCIL, THE SYRIAN ARAB REPUBLIC

THE STUDY ON SOLID WASTE MANAGEMENT
 AT LOCAL CITIES IN THE SYRIAN ARAB REPUBLIC

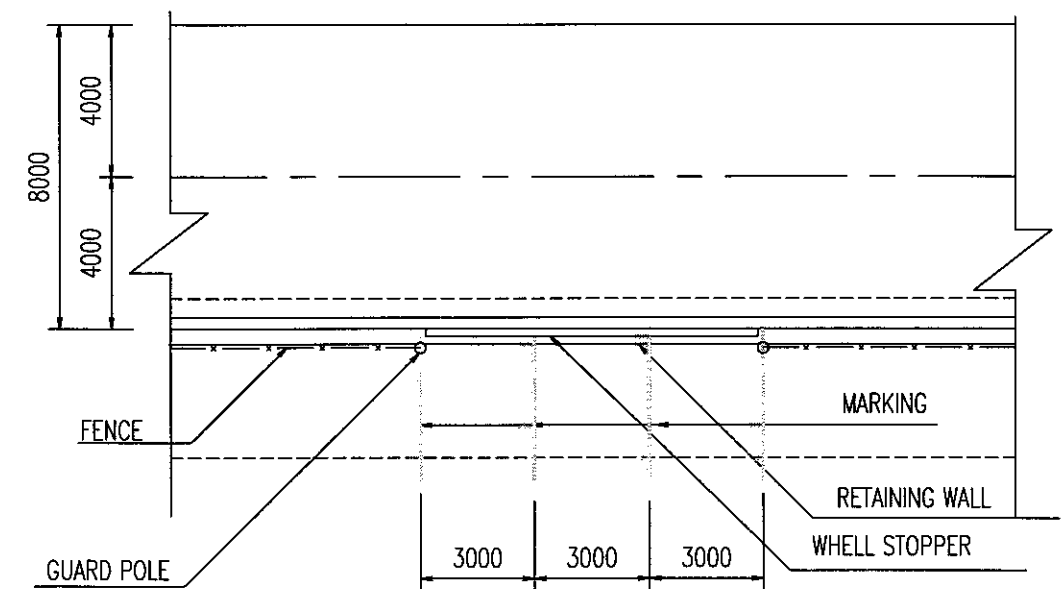
Figure 3.6
 Compost Plant in Homs
 Garage & Administration Building

SCALE	1/200
JAPAN INTERNATIONAL COOPERATION AGENCY	

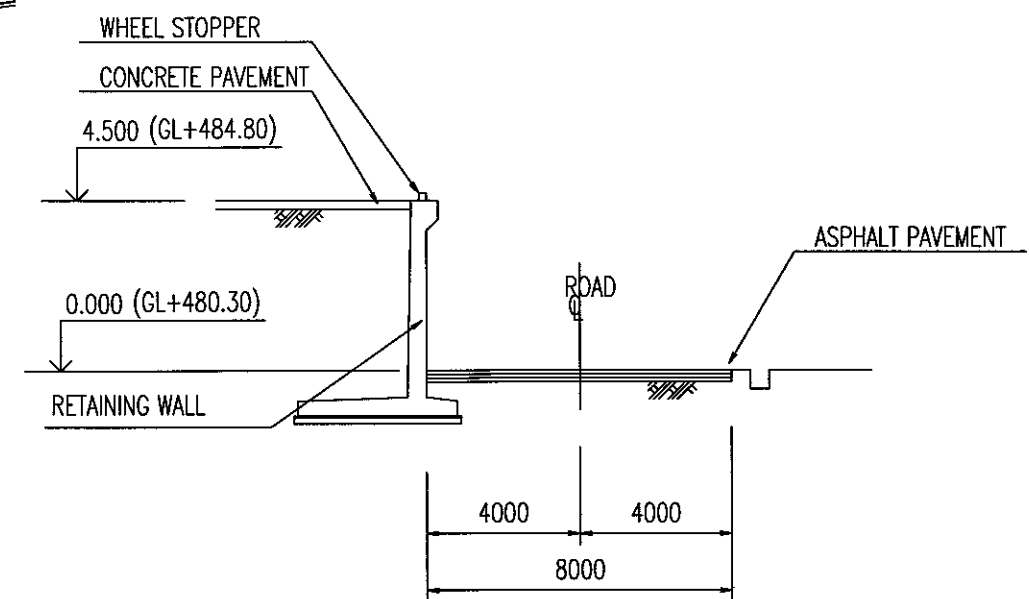


- (1) Guard House
- (2) Main Control Building
- (3) Truck Scale
- (4) Workers' Rest House
- (5) Fuel Station
- (6) Control Building
- (7) Car Washing
- (8) Waste Storage Yard
- (9) Parking for Transfer Vehicle
- (10) Medical Waste Treatment Center

PLAN



LOADING AREA



SECTION 1-1

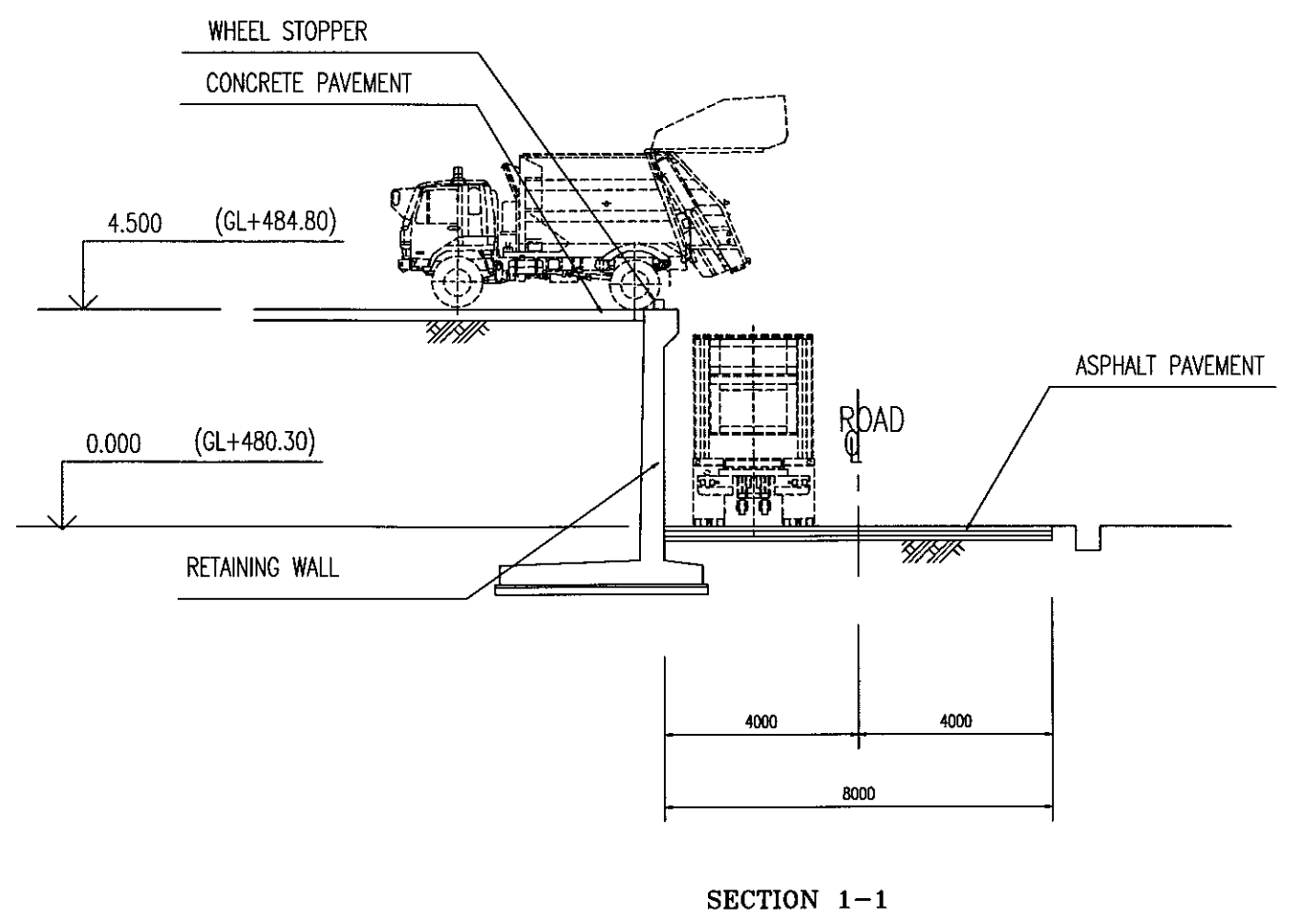
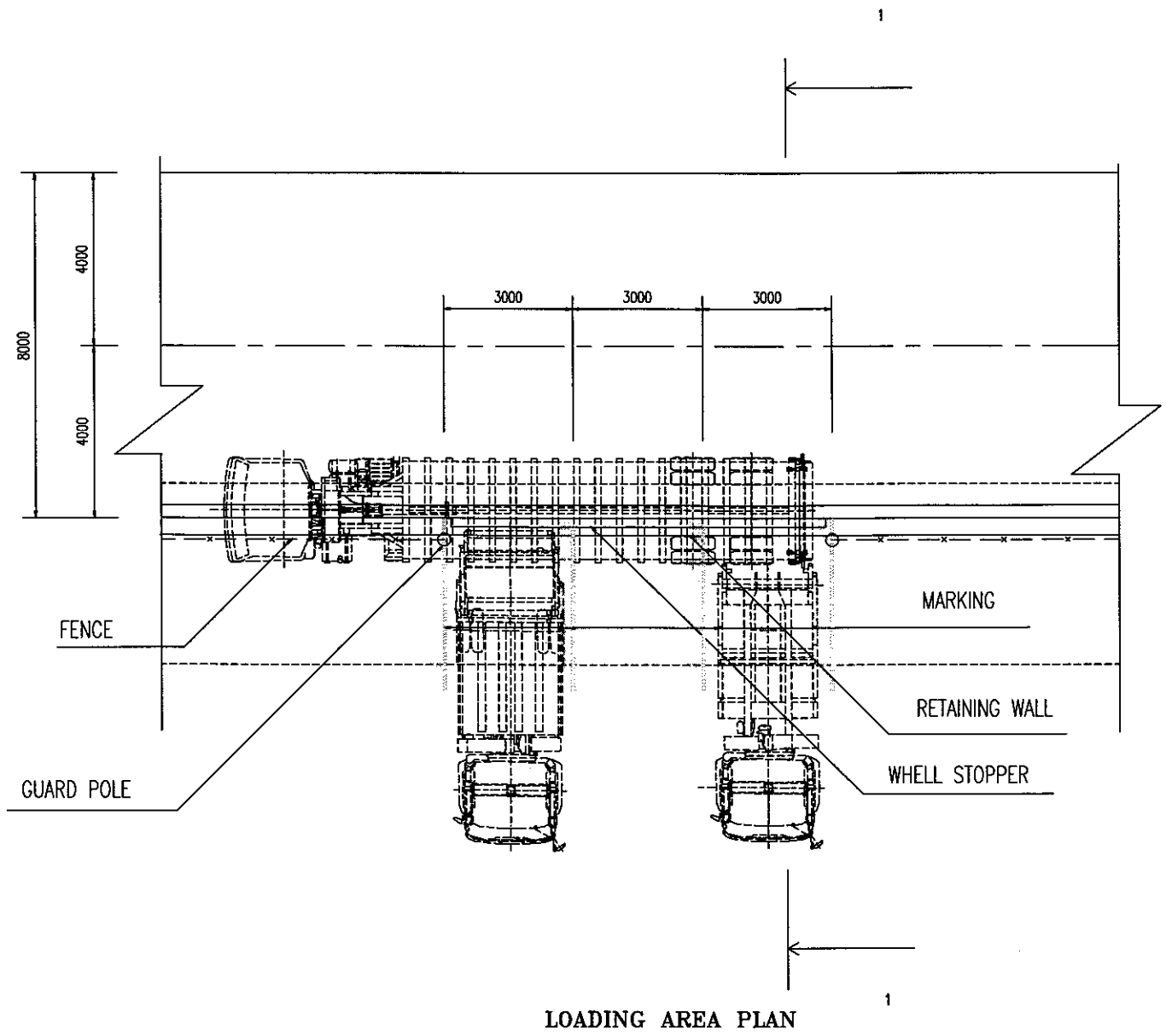
MINISTRY OF LOCAL ADMINISTRATION
 MINISTRY OF ENVIRONMENT
 LATTAKIA CITY COUNCIL
 HOMS CITY COUNCIL, THE SYRIAN ARAB REPUBLIC

THE STUDY ON SOLID WASTE MANAGEMENT
 AT LOCAL CITIES IN THE SYRIAN ARAB REPUBLIC

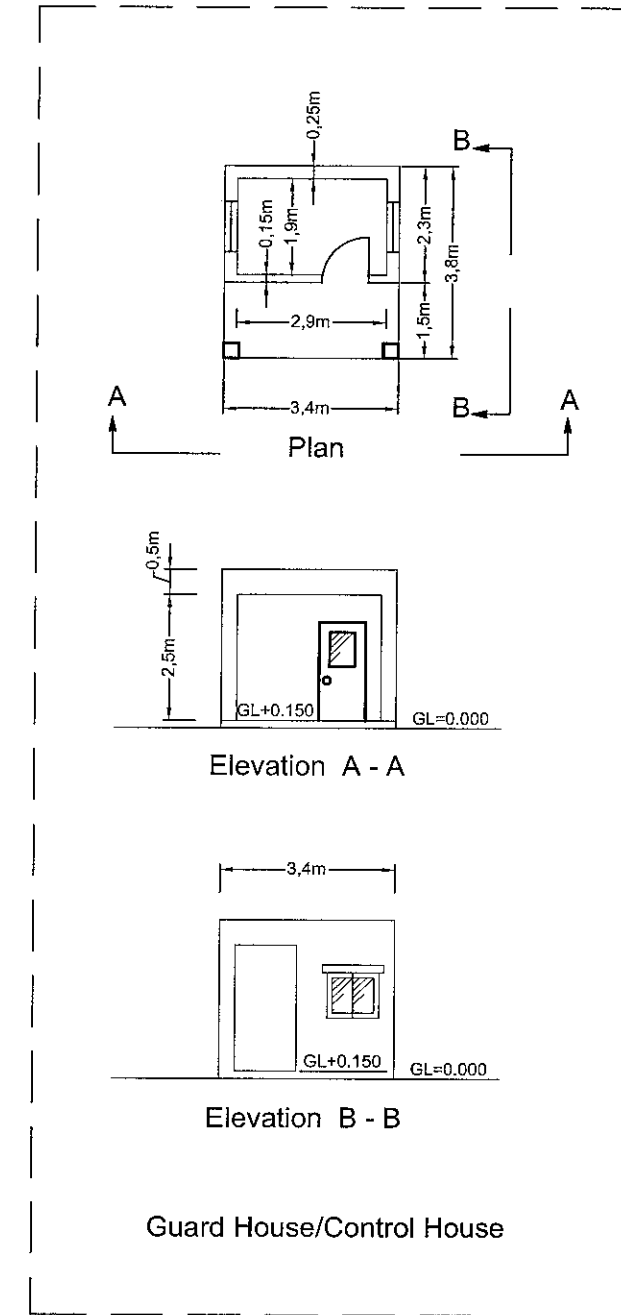
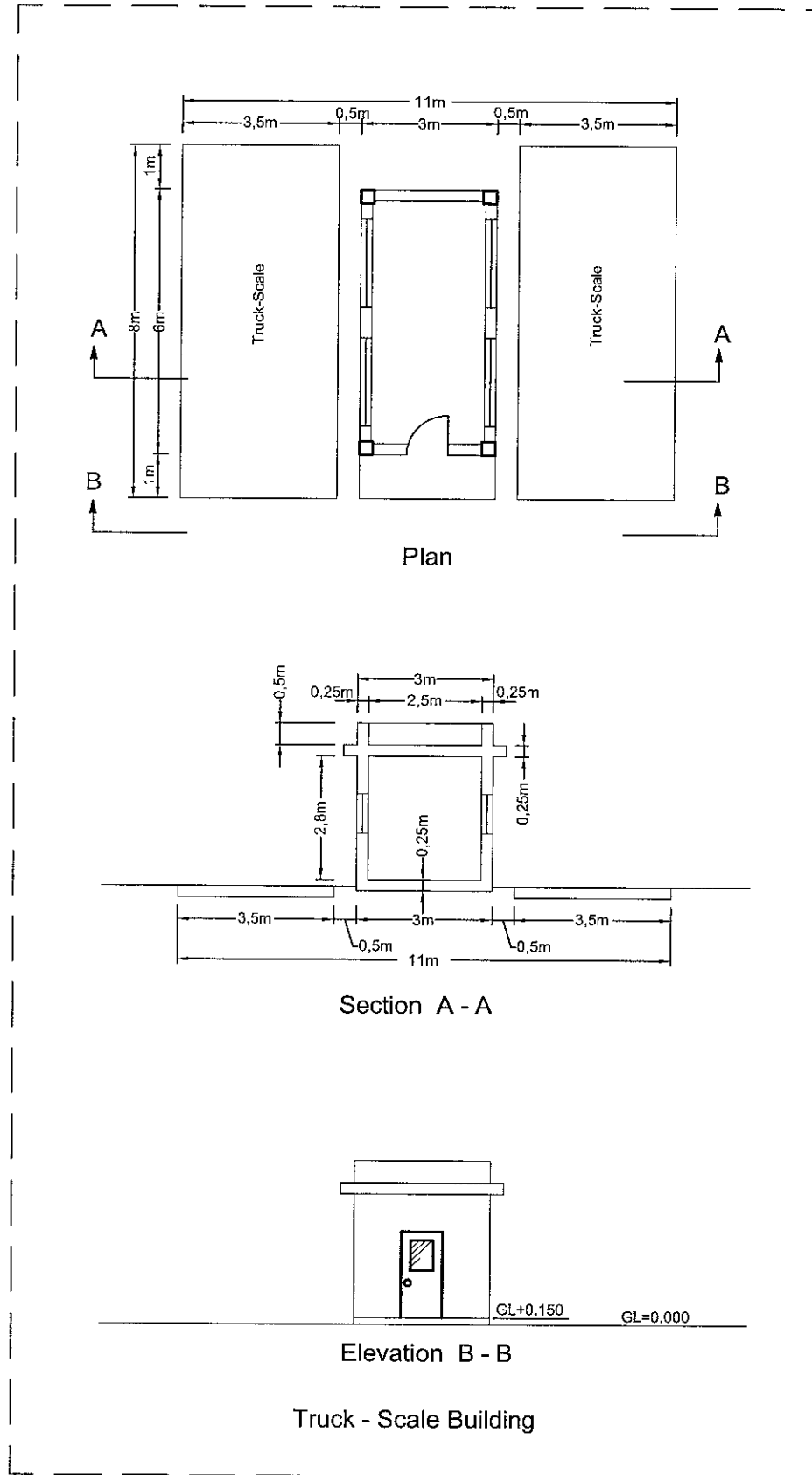
Figure 3.7
 Transfer Station in Homs,
 Layout Plan

SCALE 1 : 200

JAPAN INTERNATIONAL COOPERATION AGENCY



MINISTRY OF LOCAL ADMINISTRATION
 MINISTRY OF ENVIRONMENT
 LATTAKIA CITY COUNCIL
 HOMS CITY COUNCIL, THE SYRIAN ARAB REPUBLIC
 THE STUDY ON SOLID WASTE MANAGEMENT
 AT LOCAL CITIES IN THE SYRIAN ARAB REPUBLIC
 Figure 3.8
 Transfer Station in Homs,
 Loading Place
 SCALE 1 : 150
 JAPAN INTERNATIONAL COOPERATION AGENCY

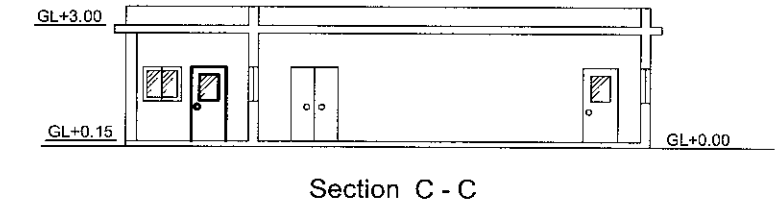
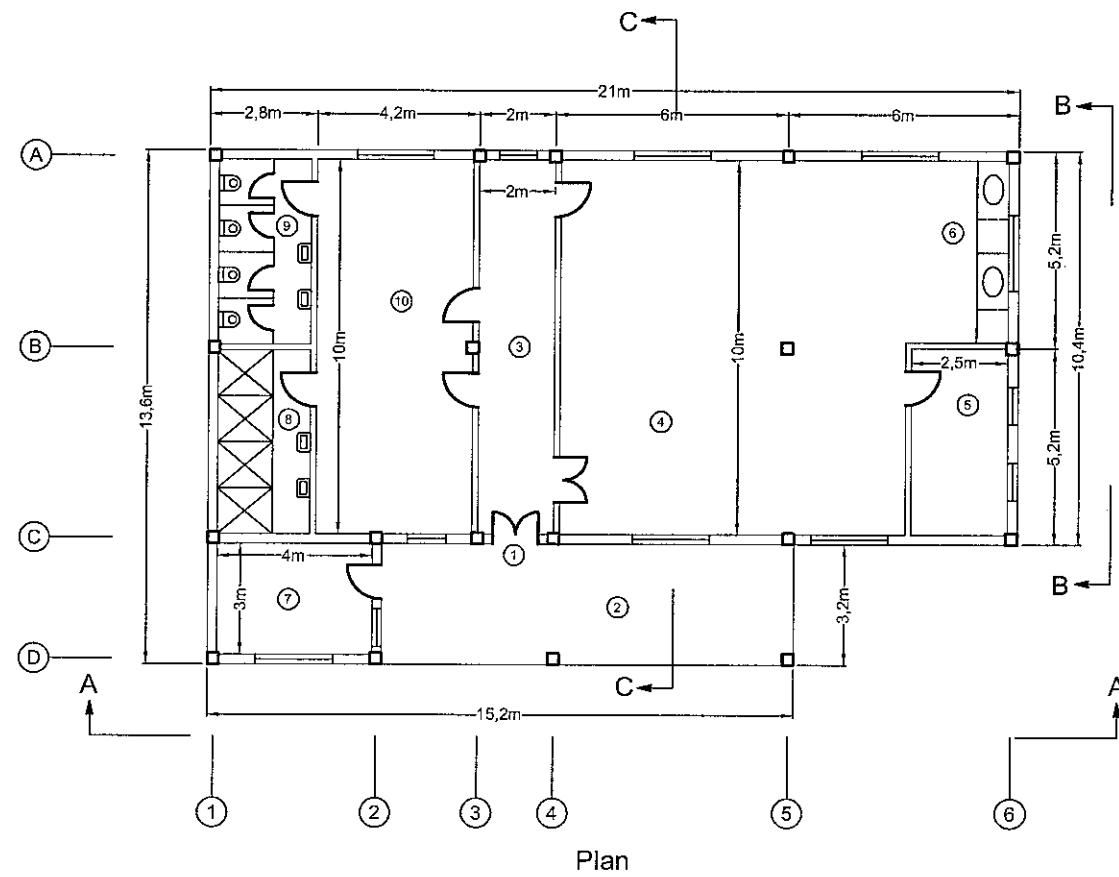


MINISTRY OF LOCAL ADMINISTRATION
 MINISTRY OF ENVIRONMENT
 LATTAKIA CITY COUNCIL
 HOMS CITY COUNCIL, THE SYRIAN ARAB REPUBLIC

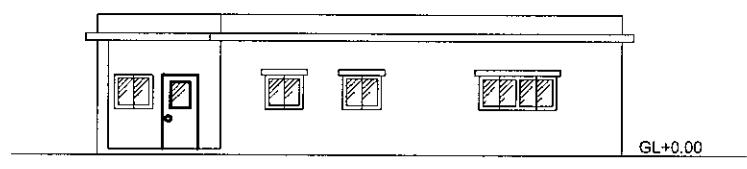
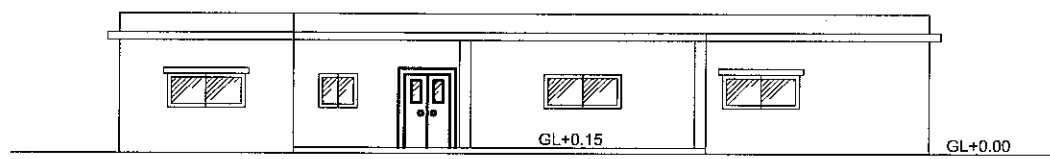
THE STUDY ON SOLID WASTE MANAGEMENT
 AT LOCAL CITIES IN THE SYRIAN ARAB REPUBLIC

Figure 3.10
 Transfer Station in Homs,
 Truck-Scale Building &
 Guard House

SCALE 1/150
 JAPAN INTERNATIONAL COOPERATION AGENCY



- 1 Entrance
- 2 Porch
- 3 Corridor
- 4 Dining Room
- 5 Store
- 6 Kitchen
- 7 Office
- 8 Shower
- 9 Toilet
- 10 Locker Room

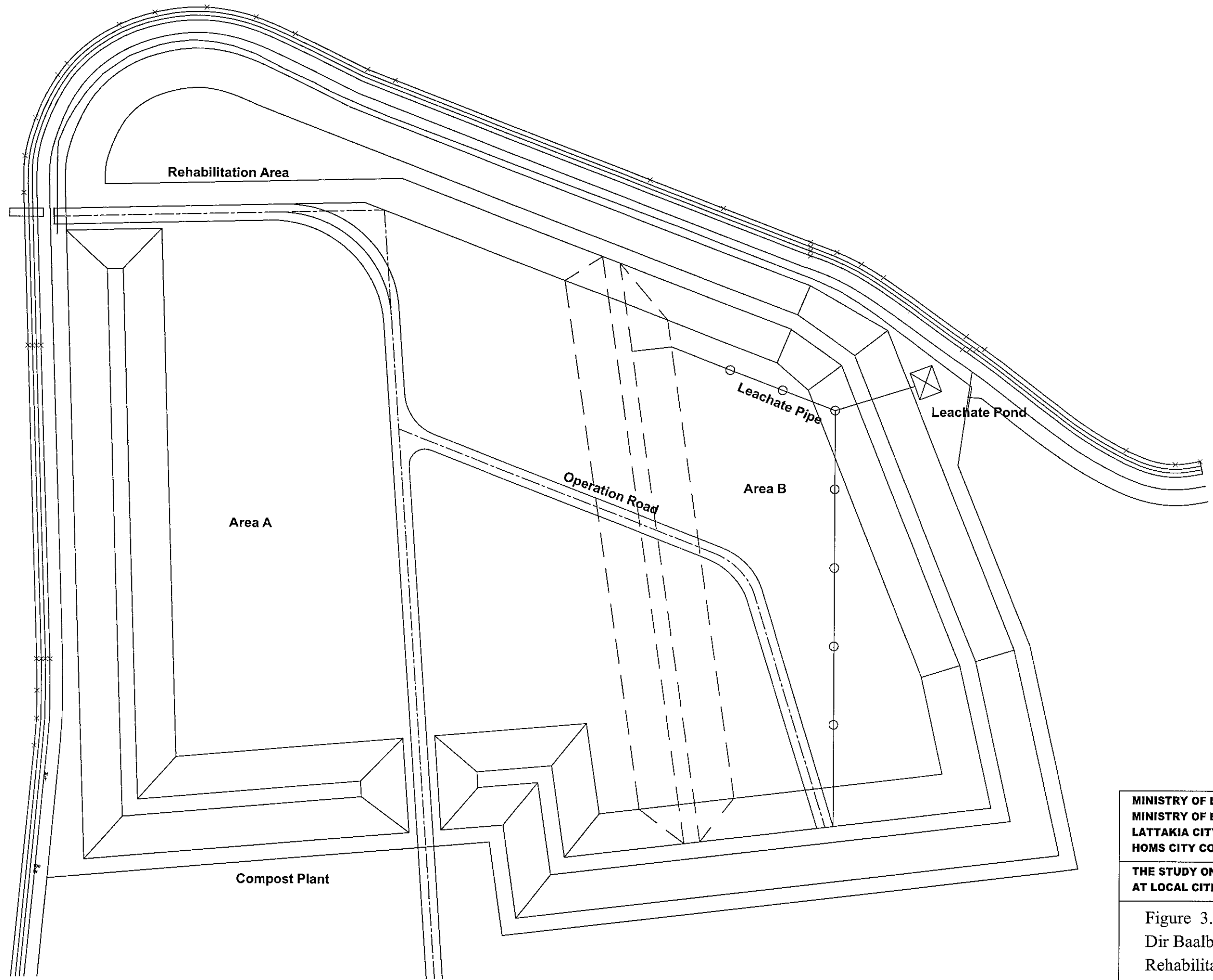


MINISTRY OF LOCAL ADMINISTRATION
MINISTRY OF ENVIRONMENT
LATTAKIA CITY COUNCIL
HOMS CITY COUNCIL, THE SYRIAN ARAB REPUBLIC

THE STUDY ON SOLID WASTE MANAGEMENT
AT LOCAL CITIES IN THE SYRIAN ARAB REPUBLIC

Figure 3.11
 Transfer Station in Homs
 and Rest House

SCALE	1/200
JAPAN INTERNATIONAL COOPERATION AGENCY	



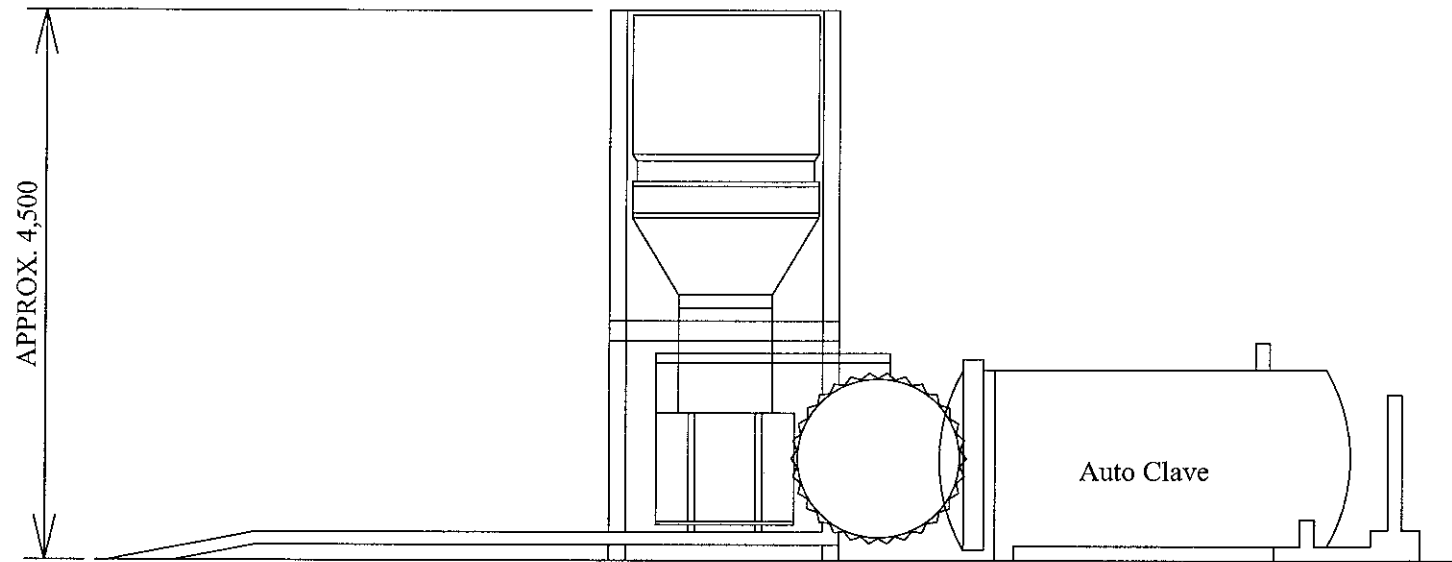
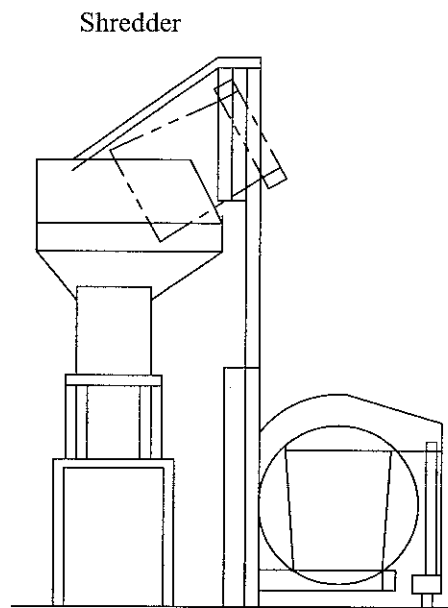
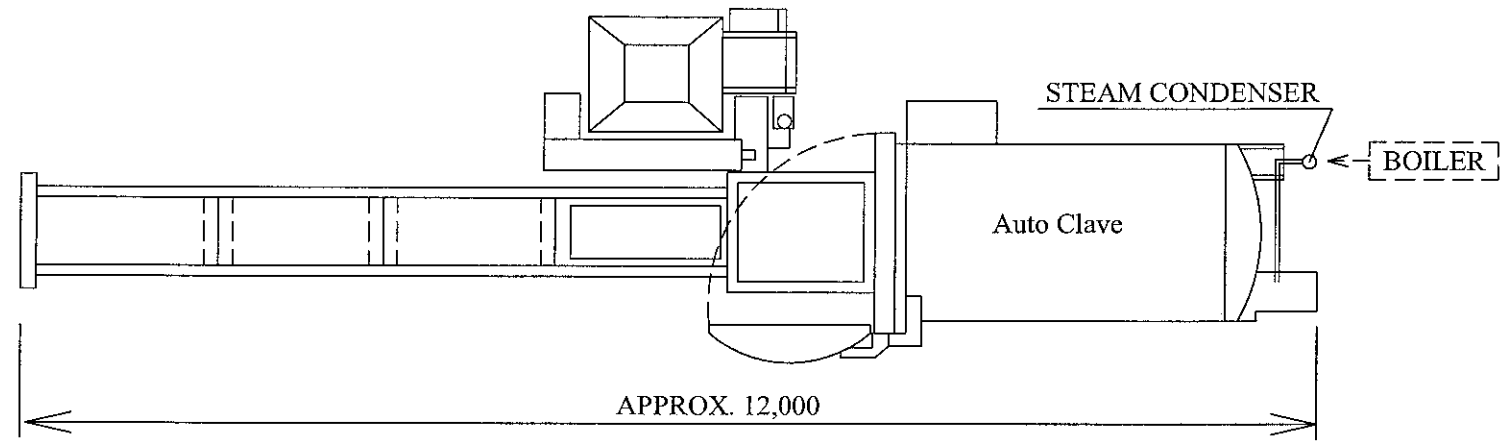
MINISTRY OF LOCAL ADMINISTRATION
 MINISTRY OF ENVIRONMENT
 LATTAKIA CITY COUNCIL
 HOMS CITY COUNCIL, THE SYRIAN ARAB REPUBLIC

THE STUDY ON SOLID WASTE MANAGEMENT
 AT LOCAL CITIES IN THE SYRIAN ARAB REPUBLIC

Figure 3.12
 Dir Baalbeh Disposal Site
 Rehabilitation Plan

SCALE

JAPAN INTERNATIONAL COOPERATION AGENCY



Treatment Facility

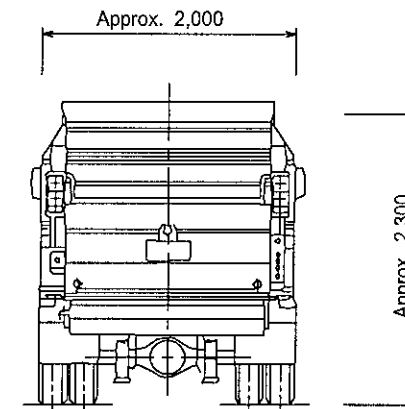
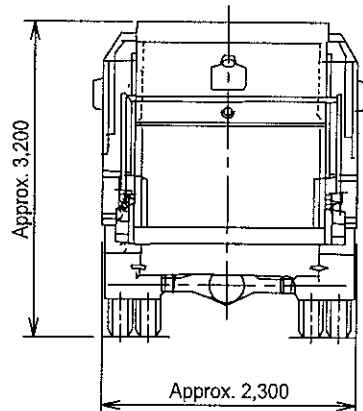
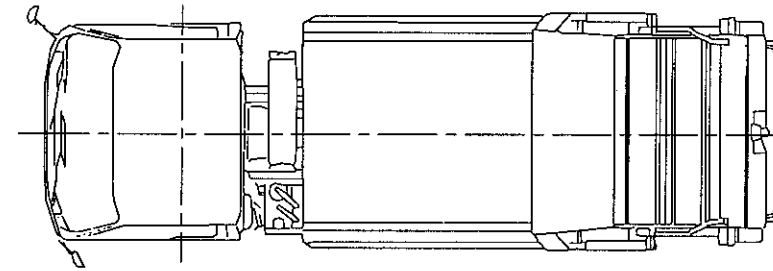
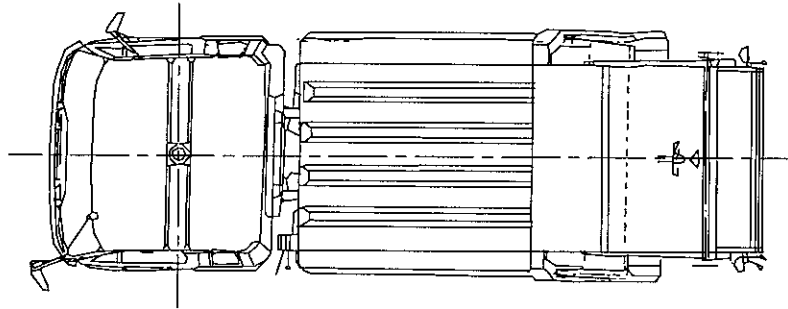
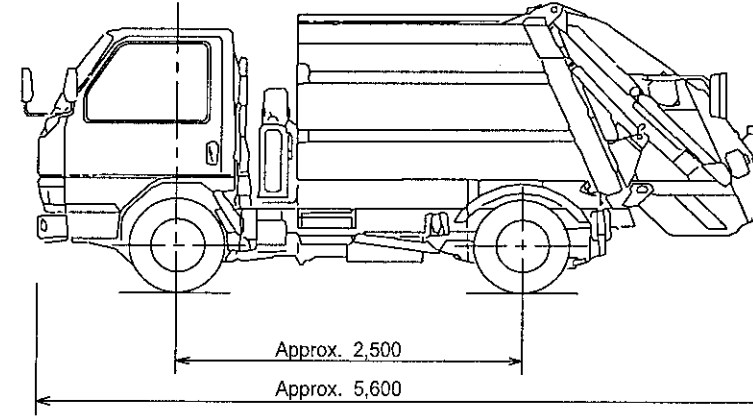
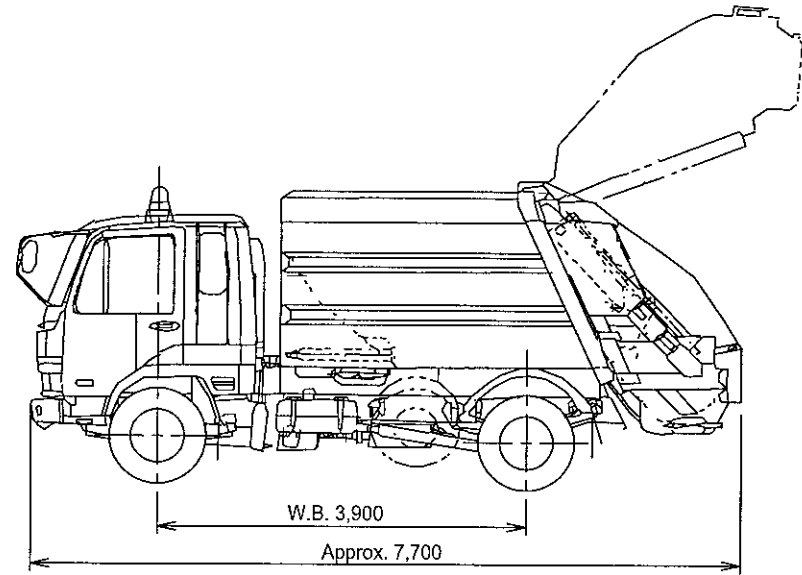
MINISTRY OF LOCAL ADMINISTRATION
 MINISTRY OF ENVIRONMENT
 LATTAKIA CITY COUNCIL
 HOMS CITY COUNCIL, THE SYRIAN ARAB REPUBLIC

THE STUDY ON SOLID WASTE MANAGEMENT
 AT LOCAL CITIES IN THE SYRIAN ARAB REPUBLIC

Figure 3.14
 Medical Waste Treatment Center

SCALE

JAPAN INTERNATIONAL COOPERATION AGENCY



Compactor Truck 8 m³

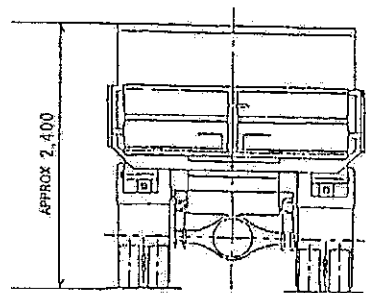
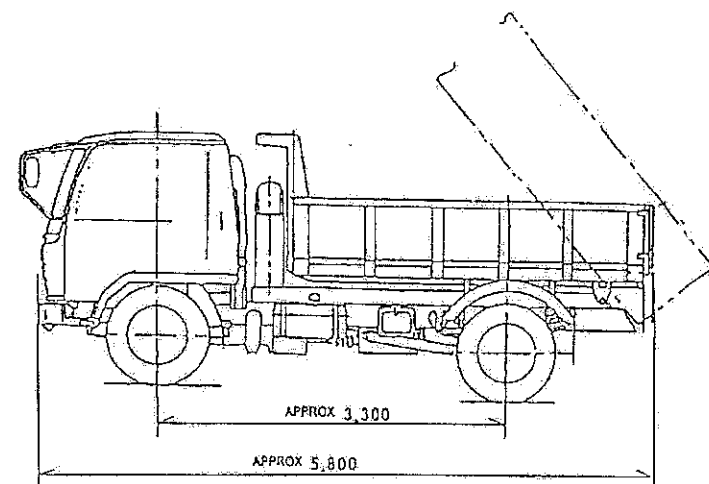
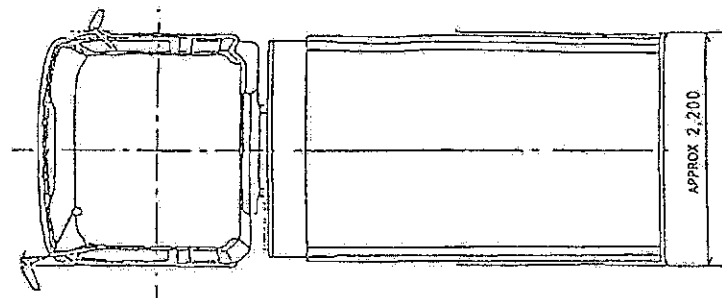
Compactor Truck 4 m³

MINISTRY OF LOCAL ADMINISTRATION
MINISTRY OF ENVIRONMENT
LATTAKIA CITY COUNCIL
HOMS CITY COUNCIL, THE SYRIAN ARAB REPUBLIC
THE STUDY ON SOLID WASTE MANAGEMENT
AT LOCAL CITIES IN THE SYRIAN ARAB REPUBLIC

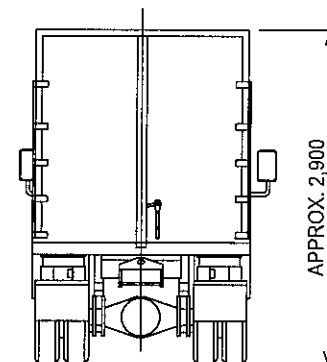
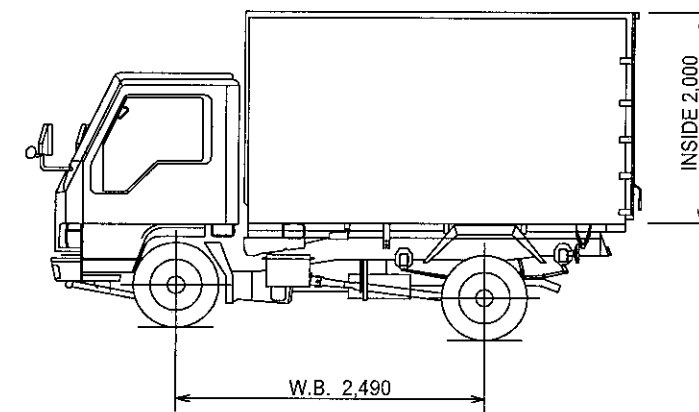
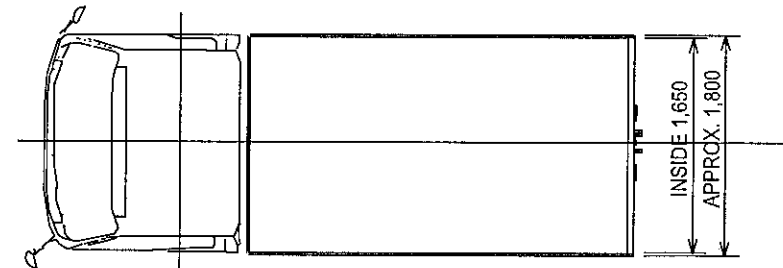
Figure 4.1
Collection Vehicle and Equipment
Compactor Truck 1

SCALE

JAPAN INTERNATIONAL COOPERATION AGENCY



Dump Truck 6 m³



Dedicated Collection Vehicle for Medical Waste

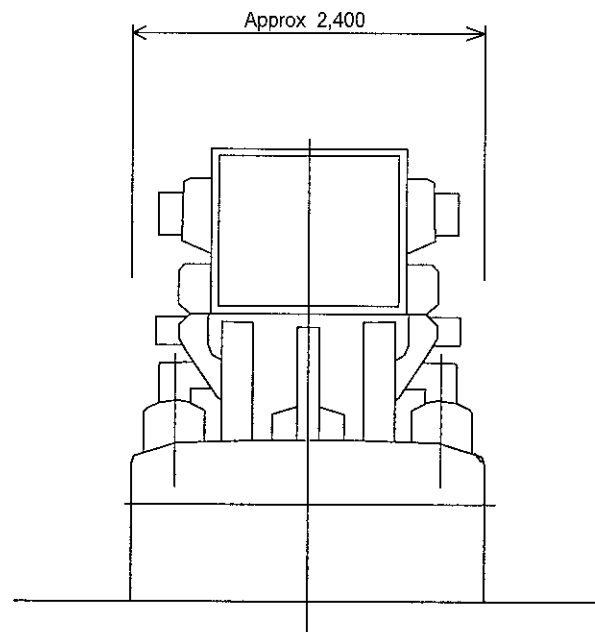
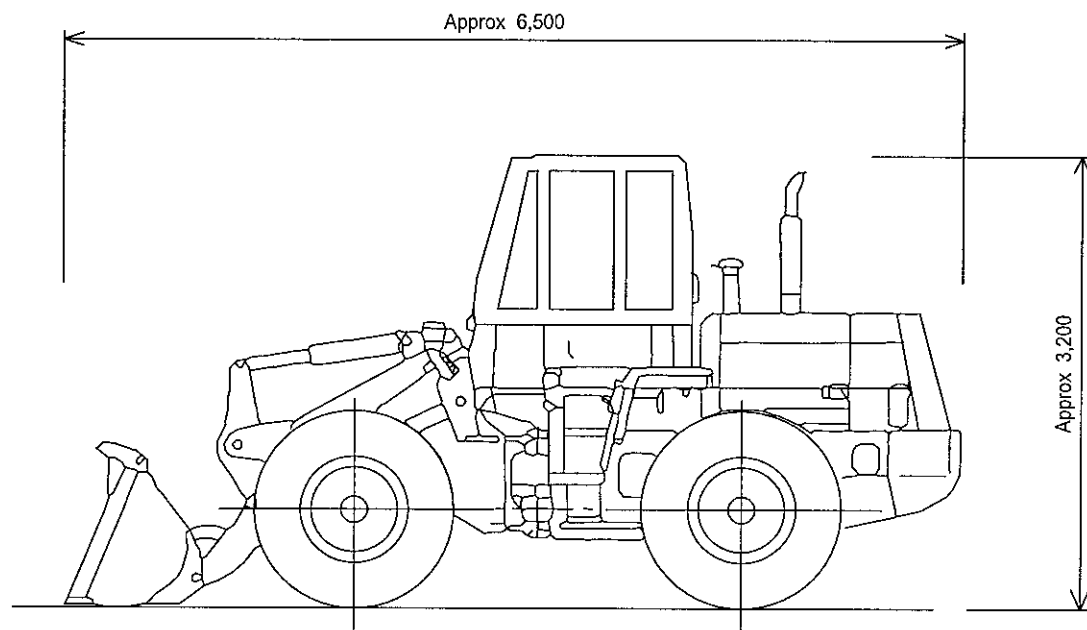
MINISTRY OF LOCAL ADMINISTRATION
 MINISTRY OF ENVIRONMENT
 LATTAKIA CITY COUNCIL
 HOMS CITY COUNCIL, THE SYRIAN ARAB REPUBLIC

THE STUDY ON SOLID WASTE MANAGEMENT
 AT LOCAL CITIES IN THE SYRIAN ARAB REPUBLIC

Figure 4.2
 Collection Vehicle and Equipment
 Dump Truck and Special Truck

SCALE

JAPAN INTERNATIONAL COOPERATION AGENCY



Wheel Loader 1.5 m³

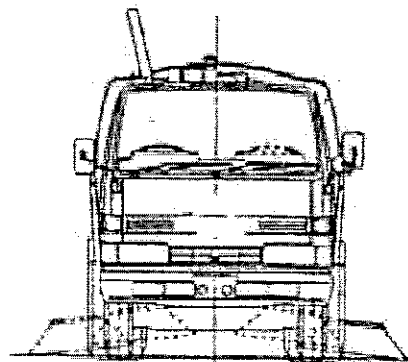
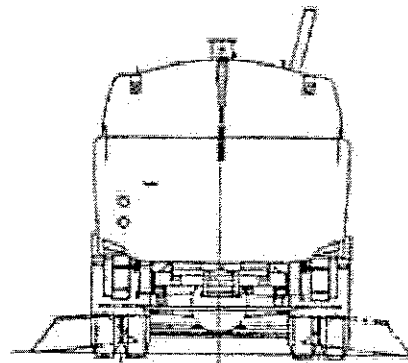
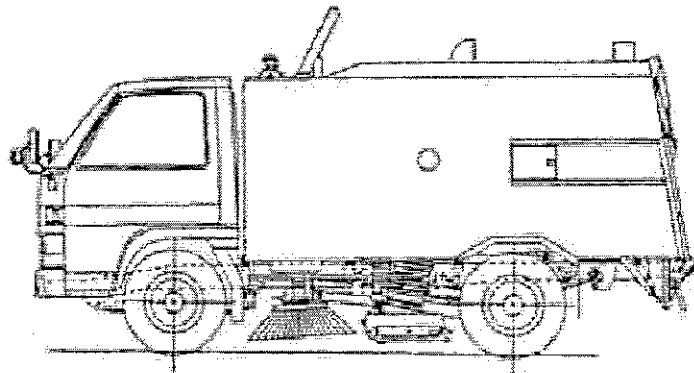
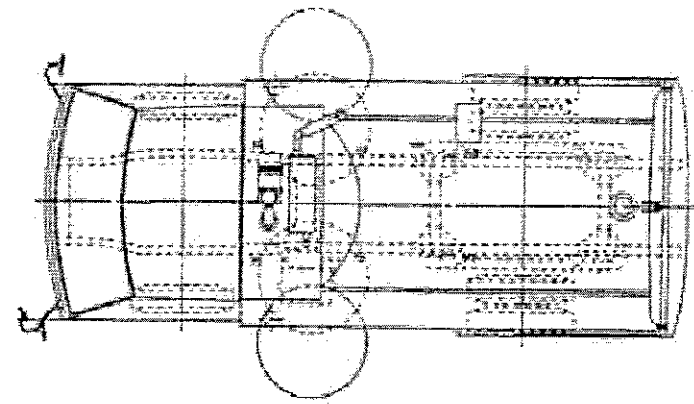
MINISTRY OF LOCAL ADMINISTRATION
 MINISTRY OF ENVIRONMENT
 LATTAKIA CITY COUNCIL
 HOMS CITY COUNCIL, THE SYRIAN ARAB REPUBLIC

THE STUDY ON SOLID WASTE MANAGEMENT
 AT LOCAL CITIES IN THE SYRIAN ARAB REPUBLIC

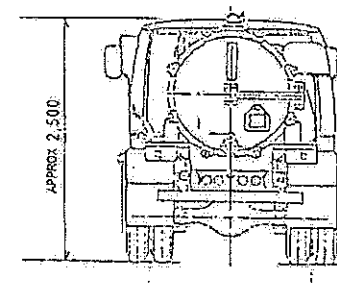
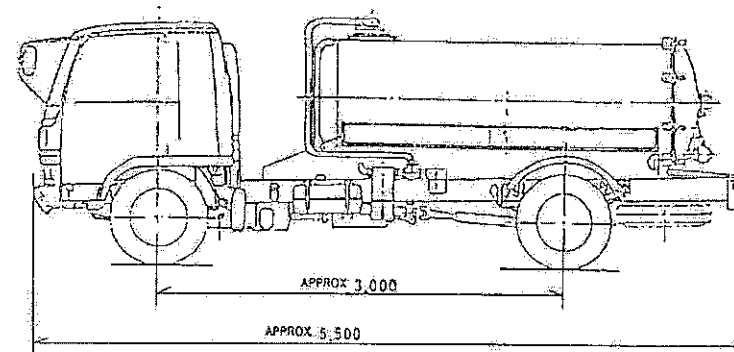
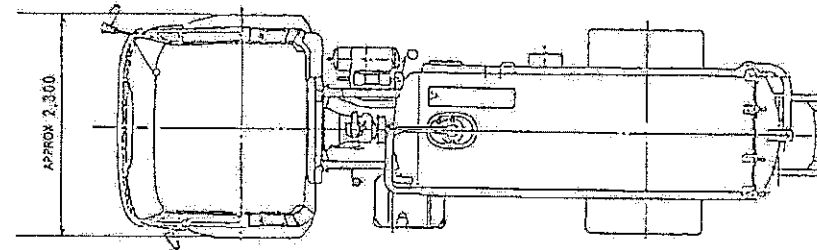
Figure 4.3
 Collection Vehicle and Equipment
 Vacuum Tank Truck
 and Wheel Loader

SCALE

JAPAN INTERNATIONAL COOPERATION AGENCY



Road Sweeper 3 m³



Tank Truck

MINISTRY OF LOCAL ADMINISTRATION
 MINISTRY OF ENVIRONMENT
 LATTAKIA CITY COUNCIL
 HOMS CITY COUNCIL, THE SYRIAN ARAB REPUBLIC

THE STUDY ON SOLID WASTE MANAGEMENT
 AT LOCAL CITIES IN THE SYRIAN ARAB REPUBLIC

Figure 4.4
 Collection Vehicle and Equipment
 Road Sweeper and Tank Truck

SCALE

JAPAN INTERNATIONAL COOPERATION AGENCY