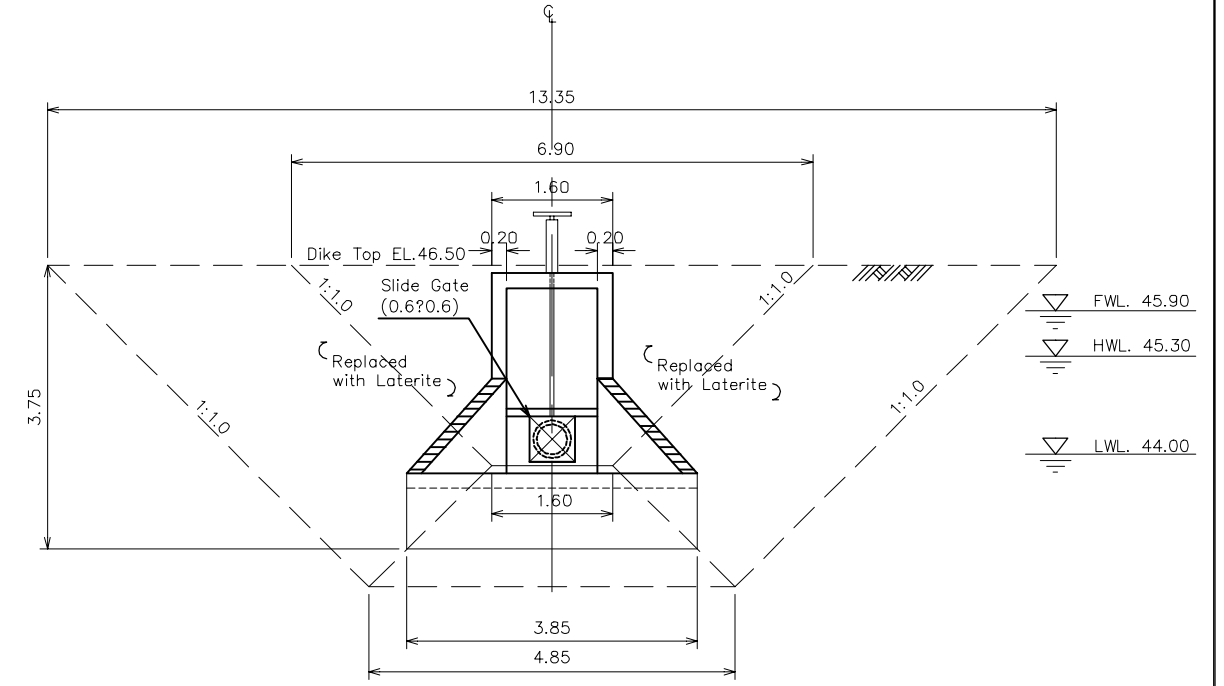
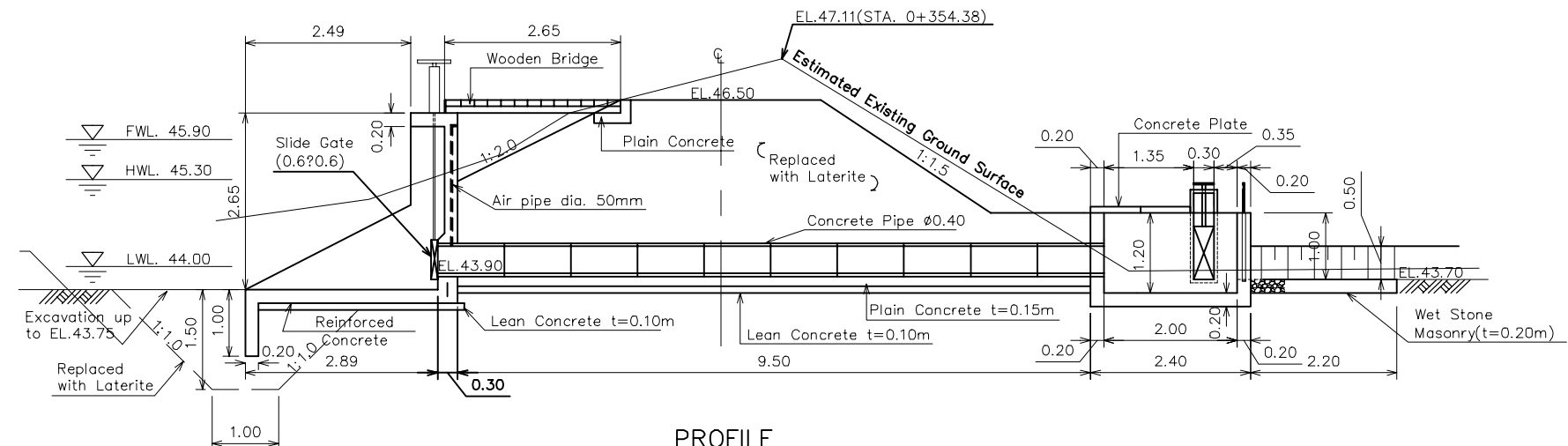


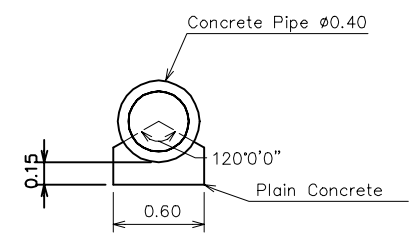
PLAN
SCALE 1:100



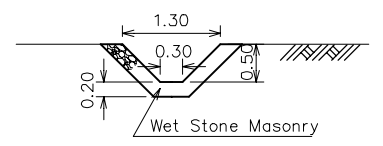
SECTION A-A
SCALE 1:50



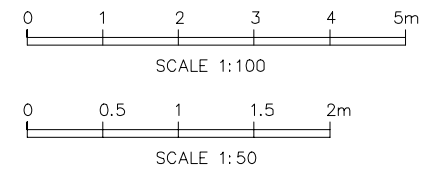
PROFILE
SCALE 1:100



SECTION B-B
SCALE 1:50

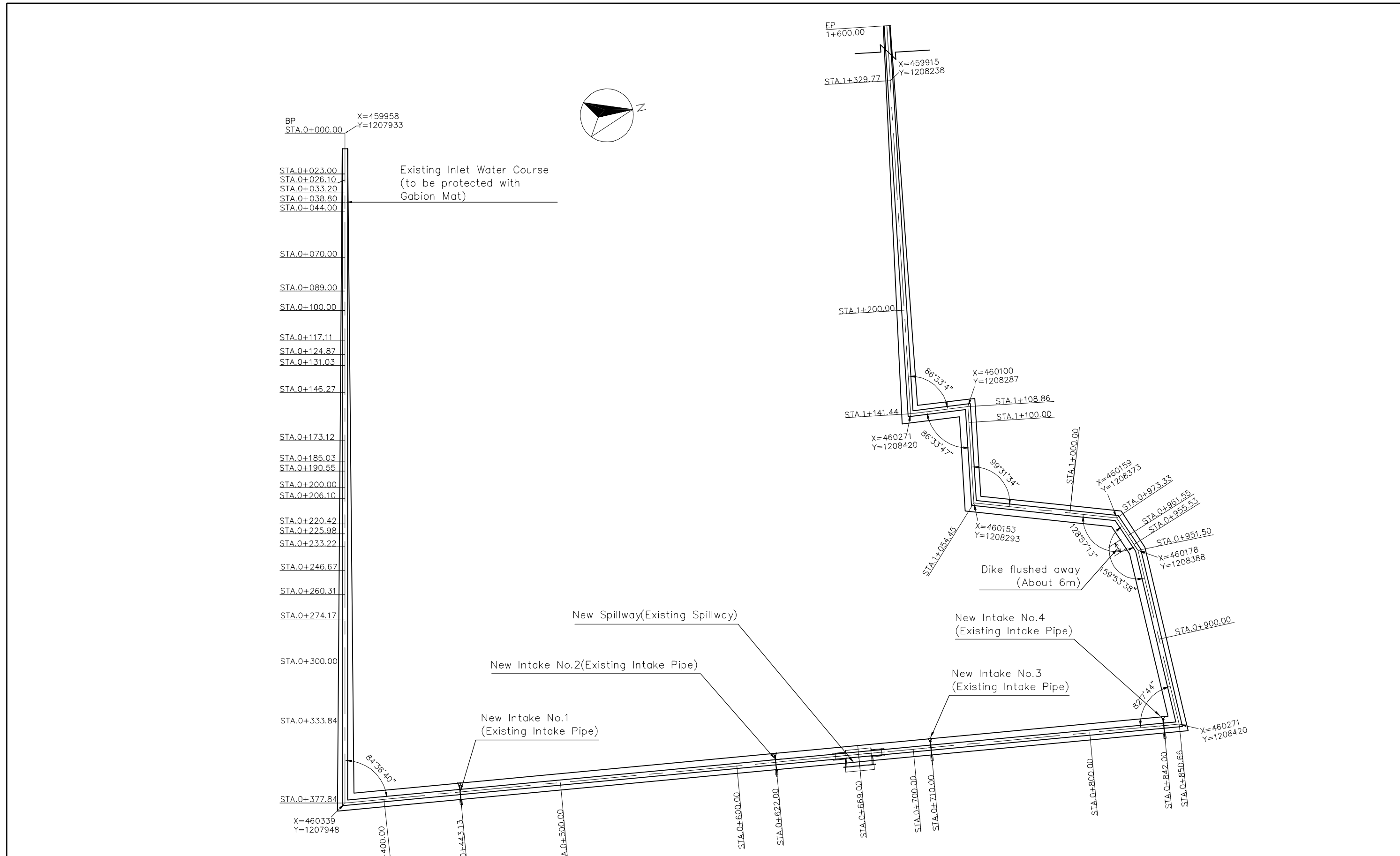


SECTION C-C
SCALE 1:50

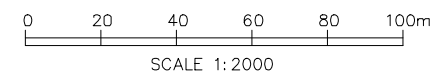


Note ; Two Intake Structures will be constructed at STA.0+140.38 and 0+358.38. The dimenitions of both structures are the same.

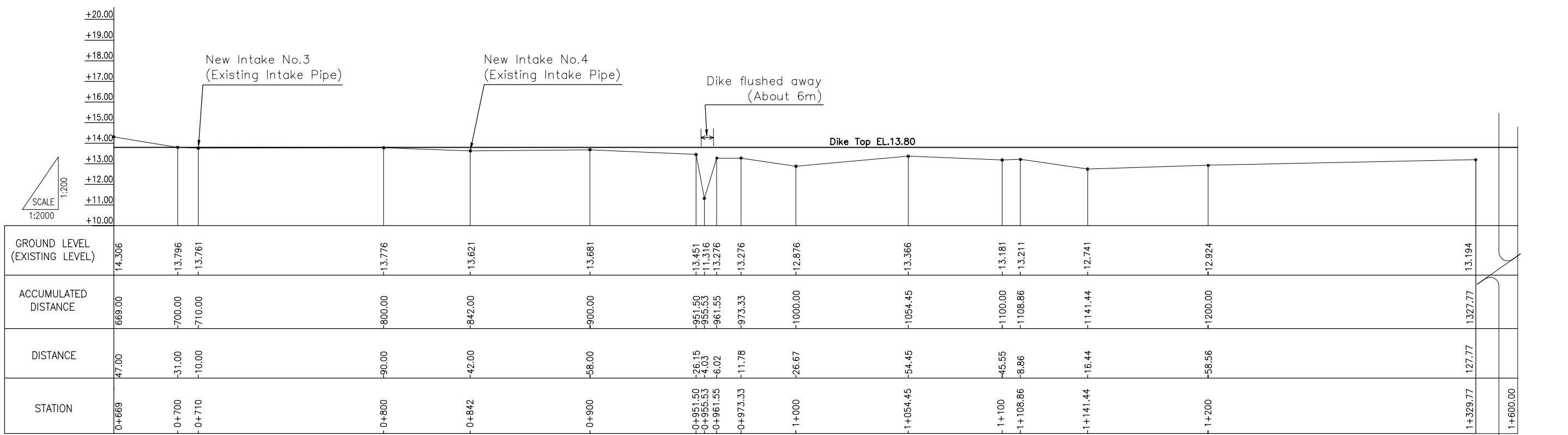
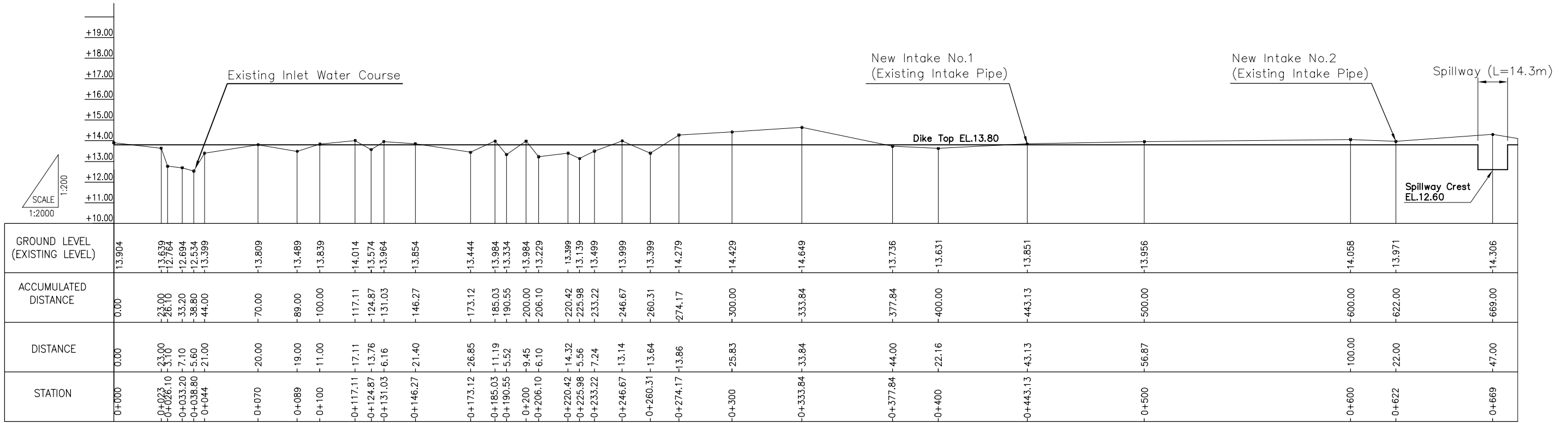
Japan International Cooperation Agency (JICA)	THE STUDY ON THE REHABILITATION AND RECONSTRUCTION OF AGRICULTURAL PRODUCTION SYSTEM IN THE SLAKOU RIVER BASIN	Title of Drawing	DATE Jan. 2002
	THE KINGDOM OF CAMBODIA	Small Reservoir Rehabilitation Plan Ang 160 Reservoir; Intake	DRAWING NO. 54 of 62



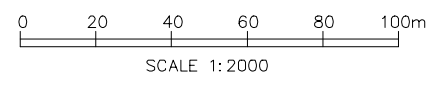
PLAN



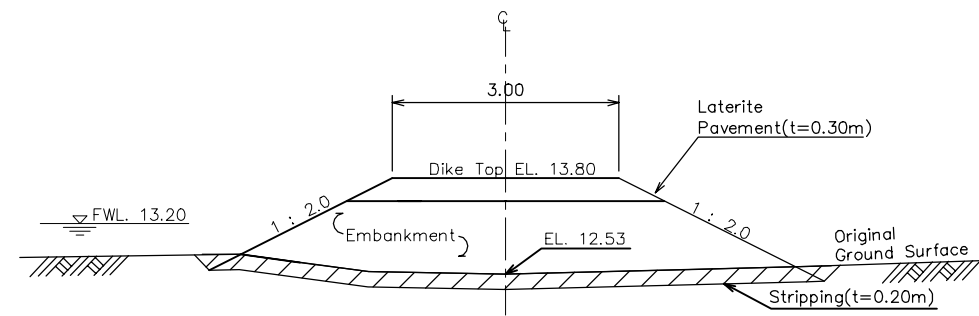
Japan International Cooperation Agency (JICA)	THE STUDY ON THE REHABILITATION AND RECONSTRUCTION OF AGRICULTURAL PRODUCTION SYSTEM IN THE SLAKOU RIVER BASIN	Title of Drawing Small Reservoir Rehabilitation Plan Kim Sei Reservoir;	DATE Jan. 2002
	THE KINGDOM OF CAMBODIA	Plan	DRAWING NO. 55 of 62



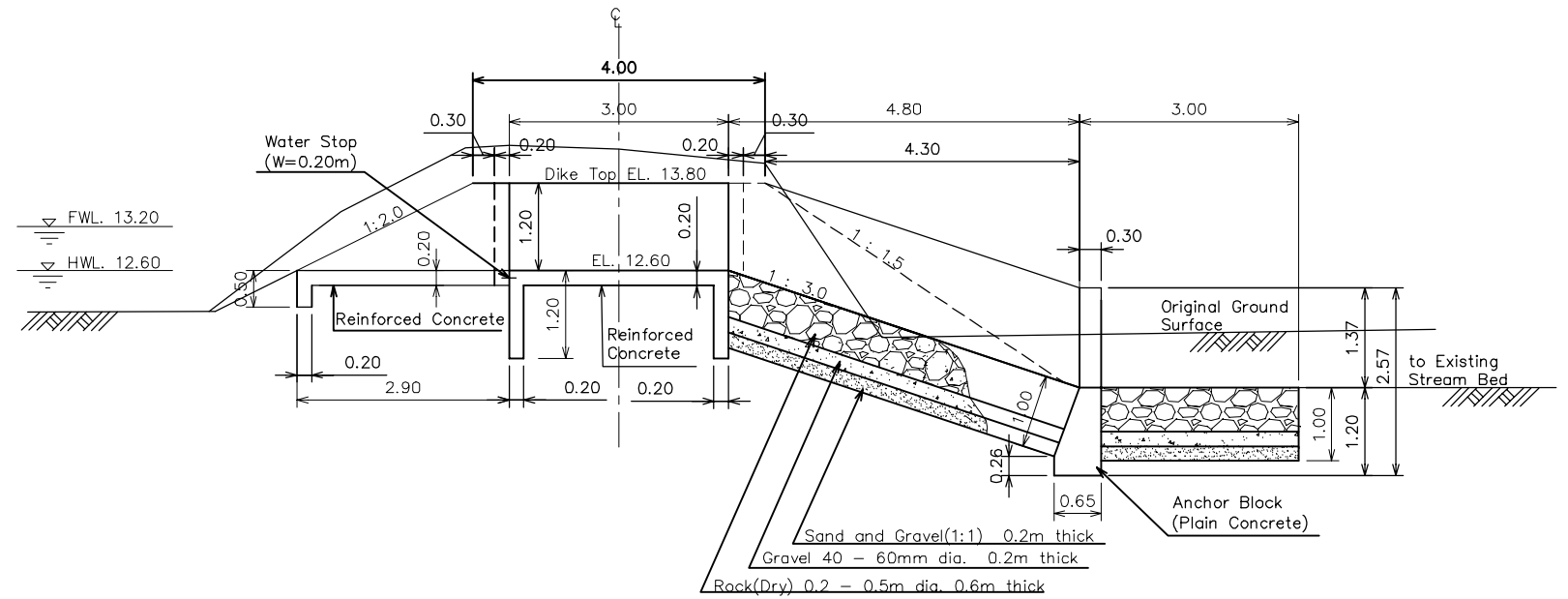
PLAN



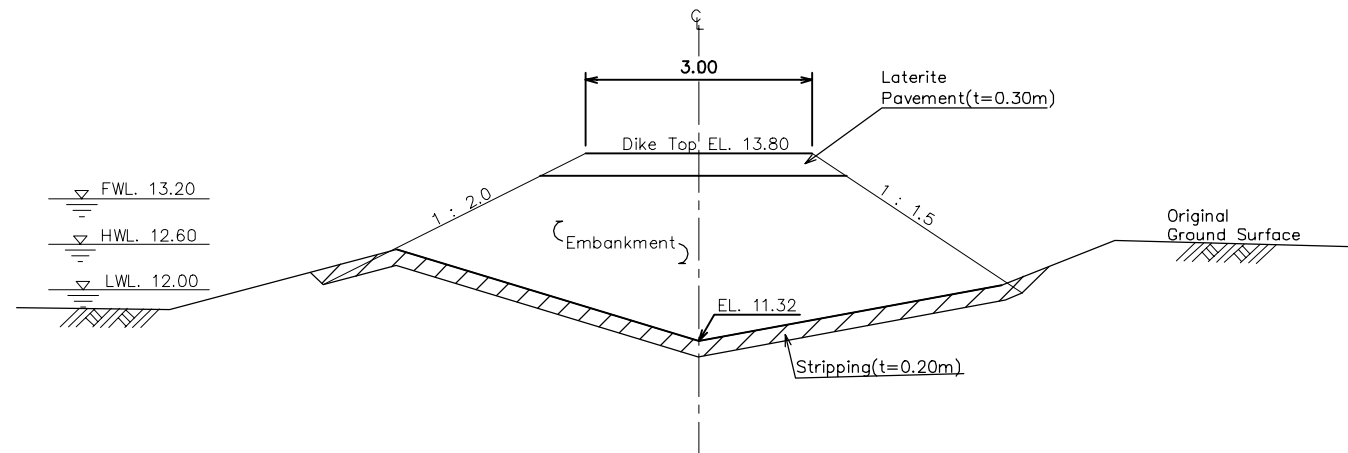
Japan International Cooperation Agency (JICA)	THE STUDY ON THE REHABILITATION AND RECONSTRUCTION OF AGRICULTURAL PRODUCTION SYSTEM IN THE SLAKOU RIVER BASIN	Title of Drawing	DATE Jan. 2002
	THE KINGDOM OF CAMBODIA	Small Reservoir Rehabilitation Plan Kim Sei Reservoir; Profile	DRAWING NO. 56 of 62



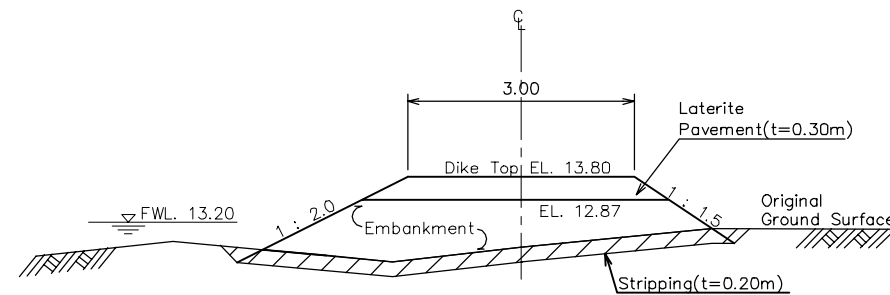
CROSS SECTION (STA.0+038.80)
SCALE 1:100



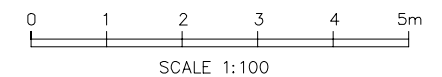
CROSS SECTION OF NEW SPILLWAY
(STA.0+669.00)
SCALE 1:100



CROSS SECTION (STA.0+955.53)
SCALE 1:100

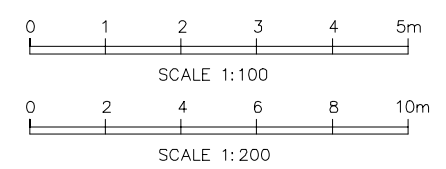
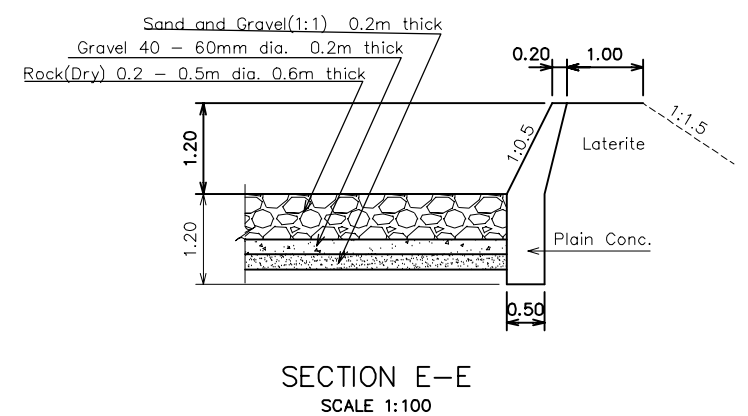
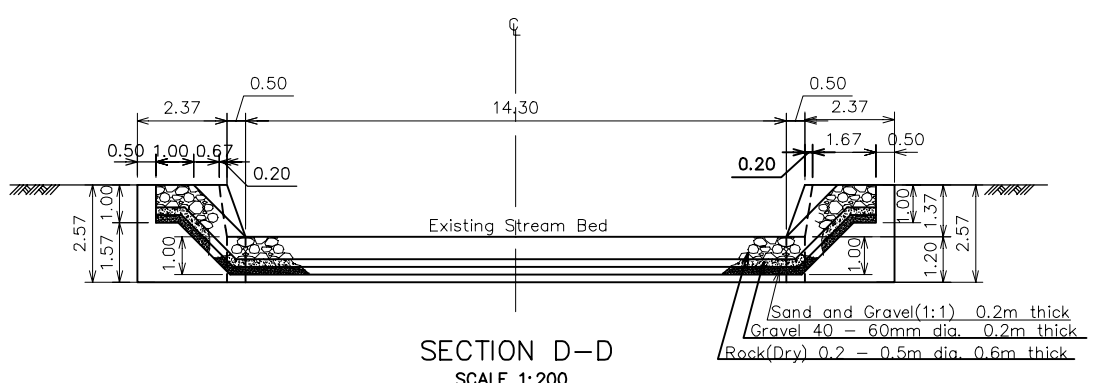
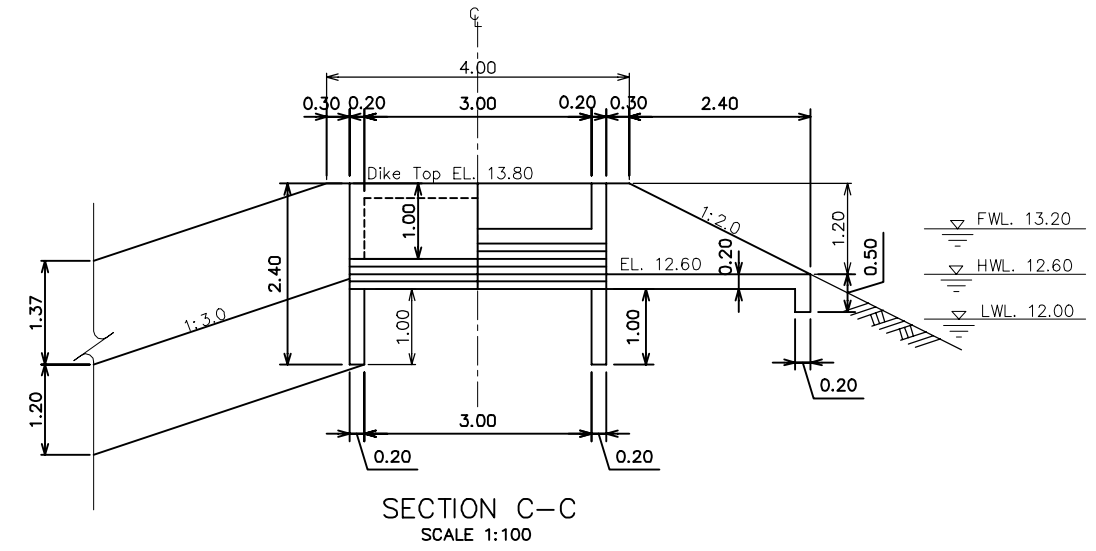
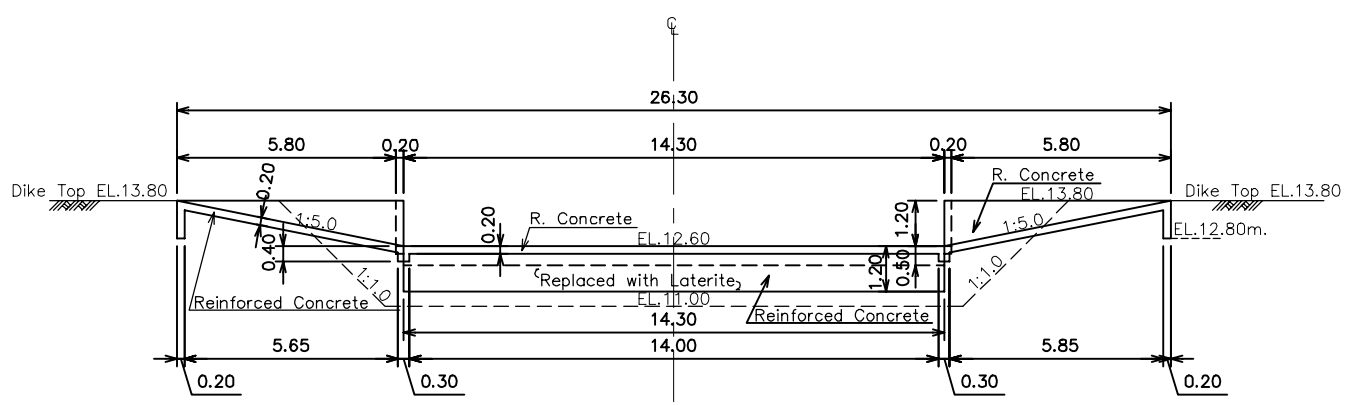
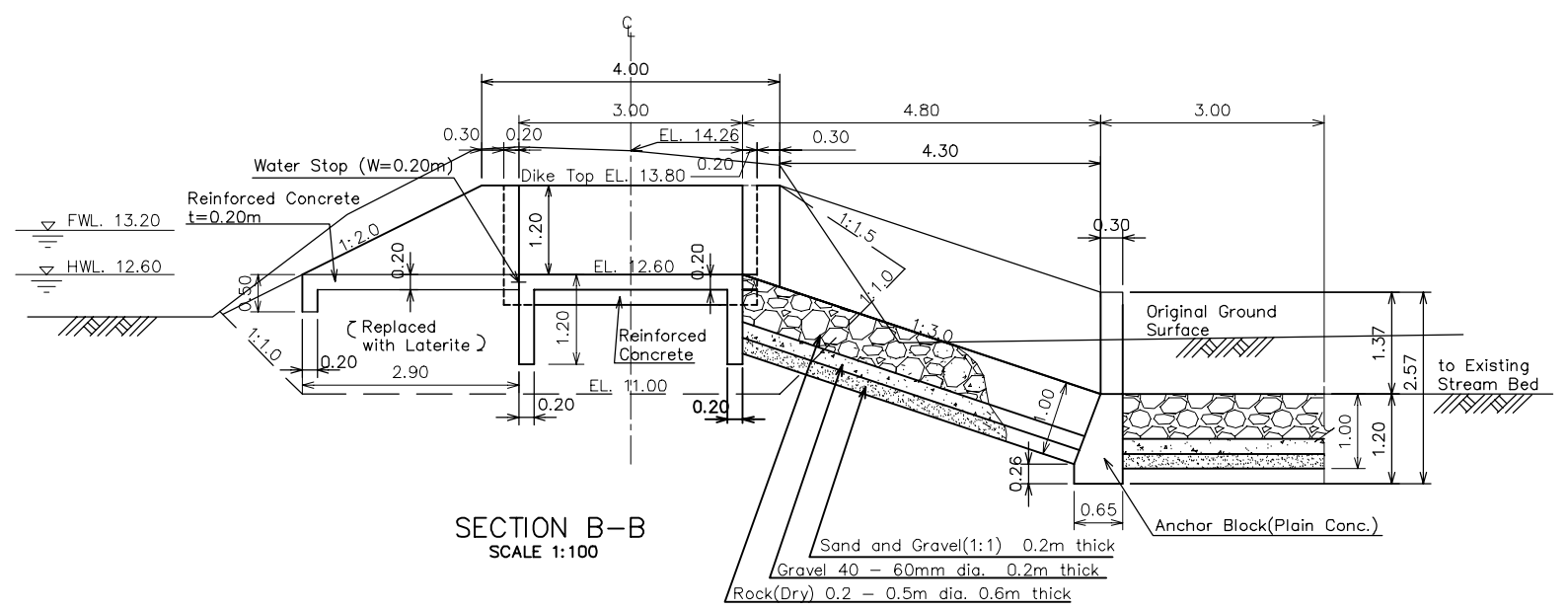
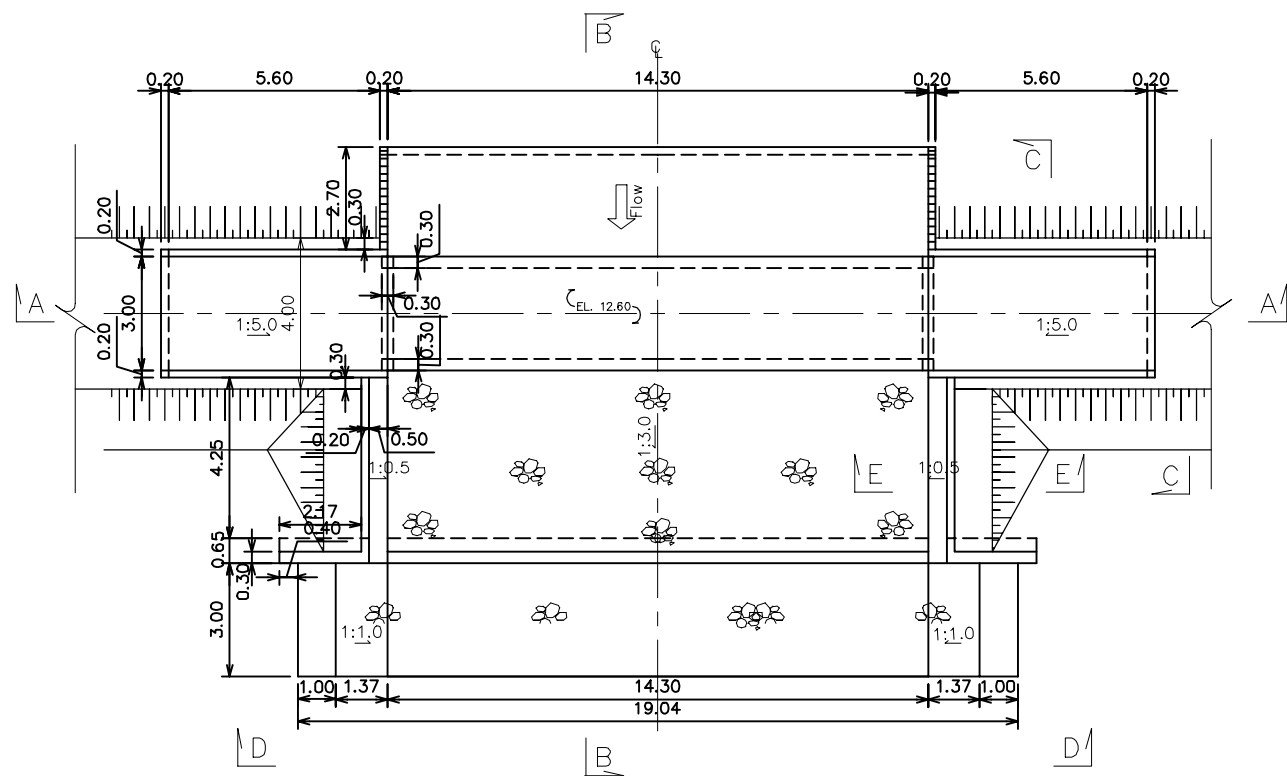


CROSS SECTION (STA.1+000.00)
SCALE 1:100

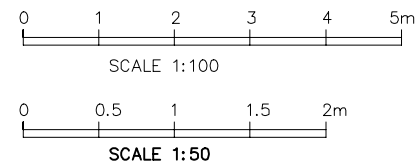
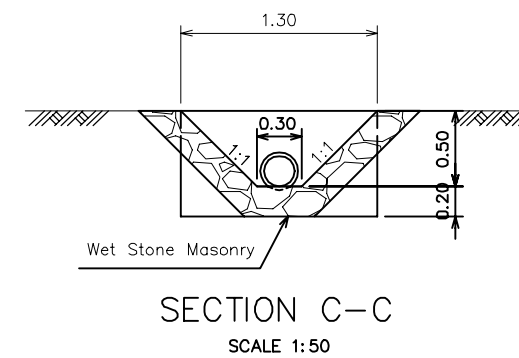
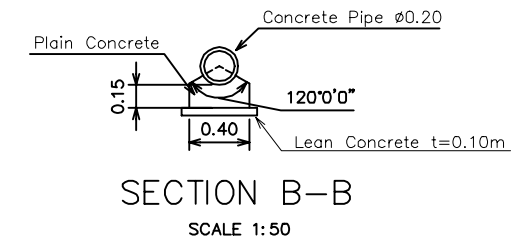
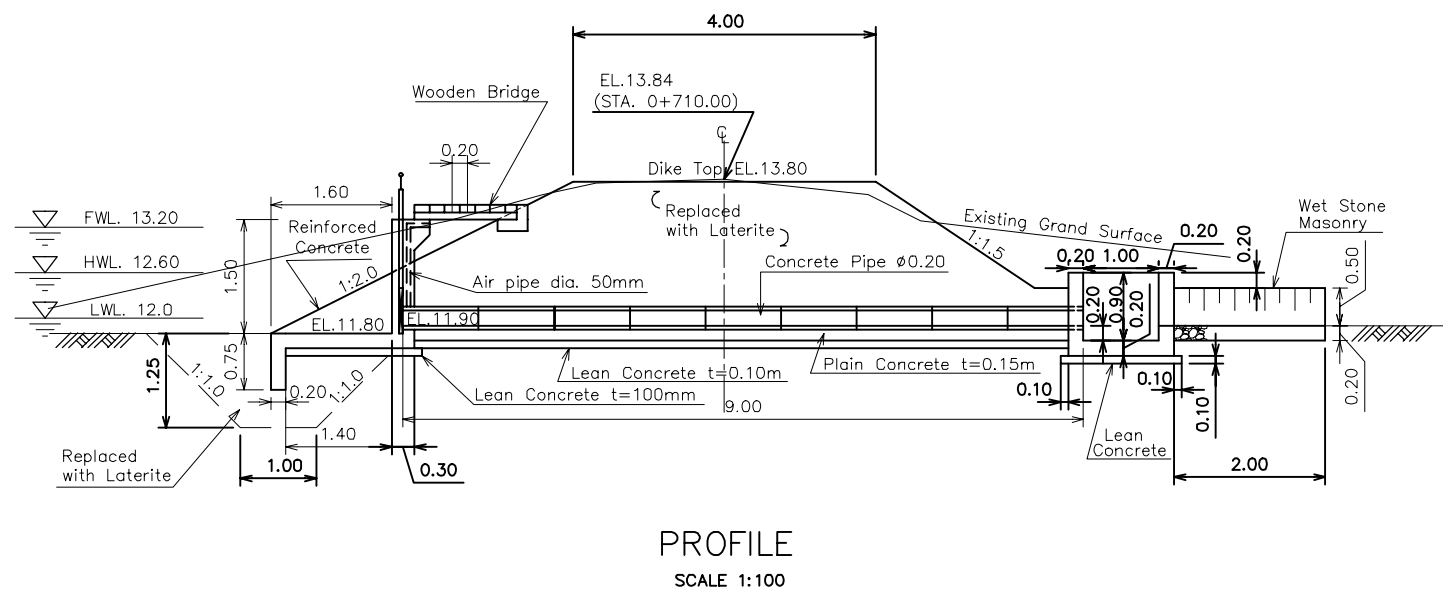
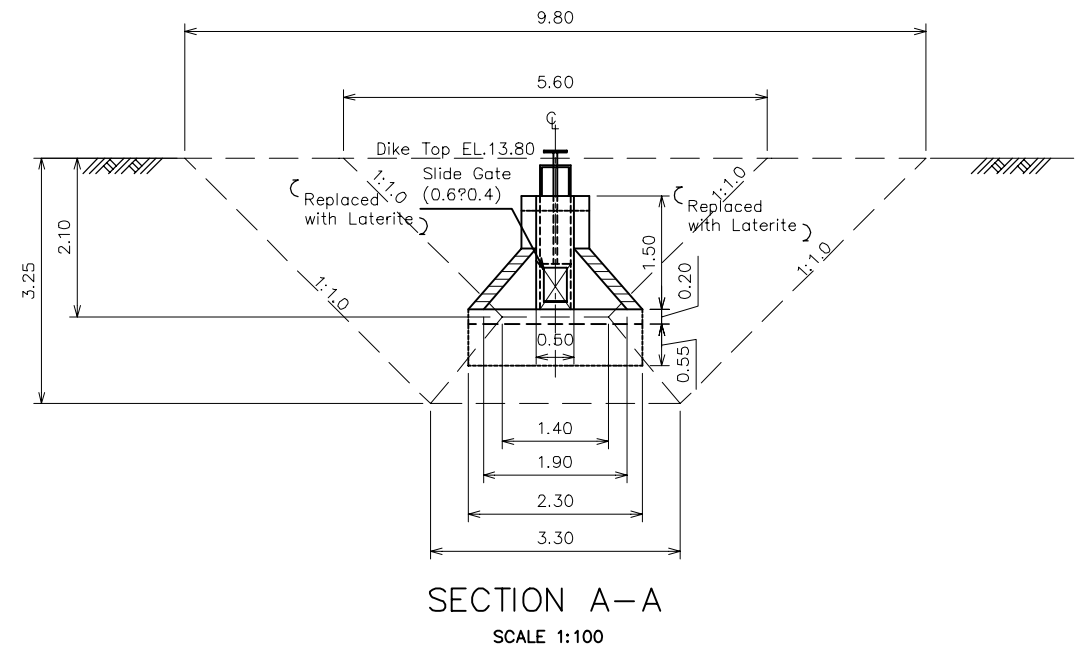
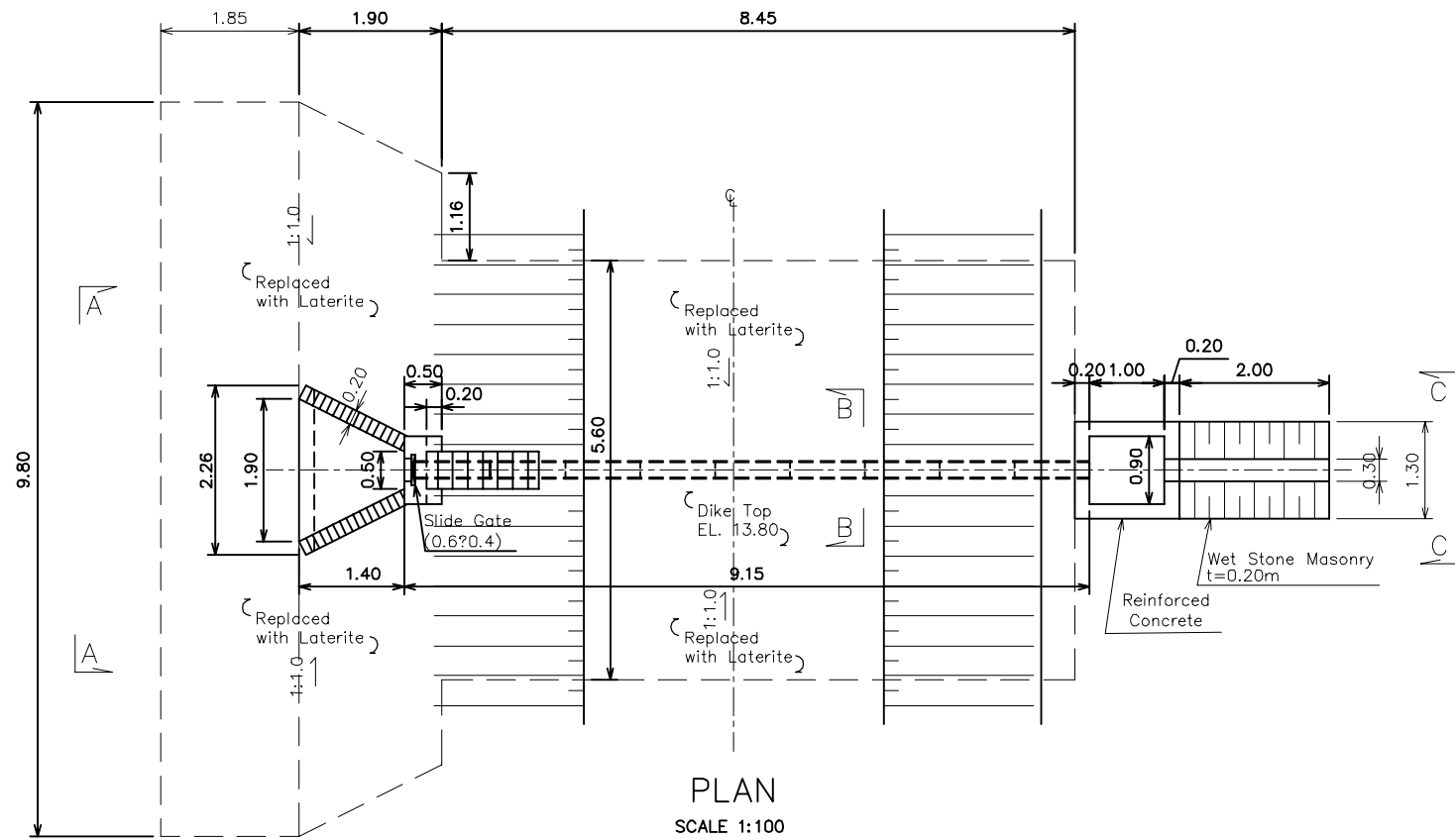


Note; From STA.0+000.00 to 0+377.84, Dike Top Width is 3.00m.
From STA.0+377.84 to 0+850.66, Dike Top Width is 4.00m.
From STA.0+850.66 to 1+600.00, Dike Top Width is 3.00m.

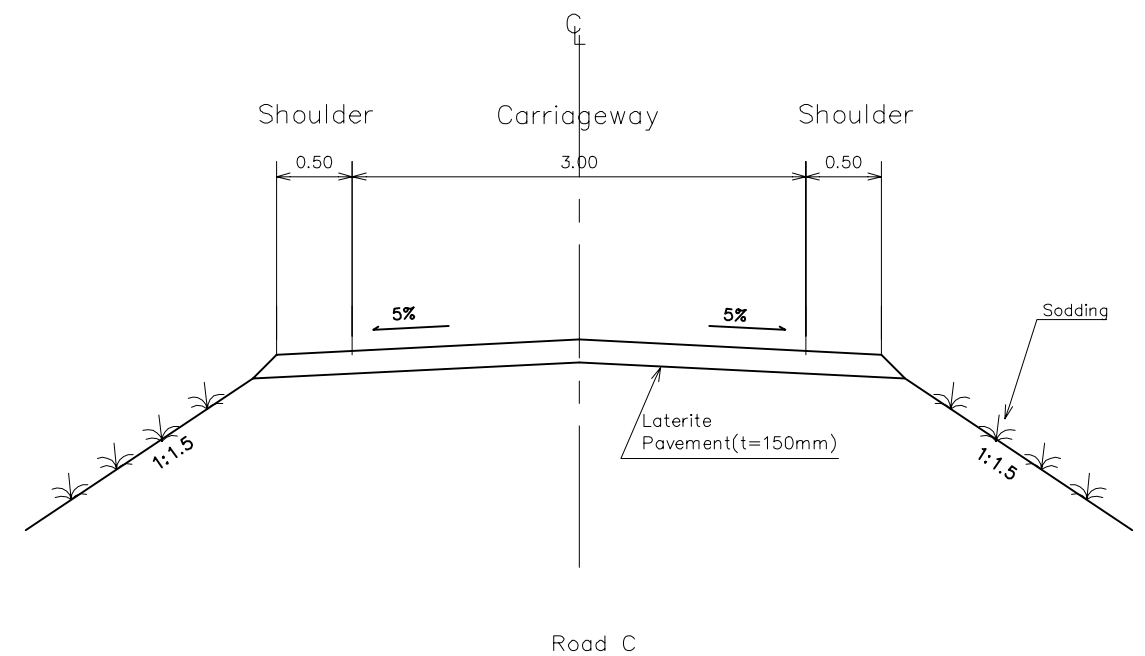
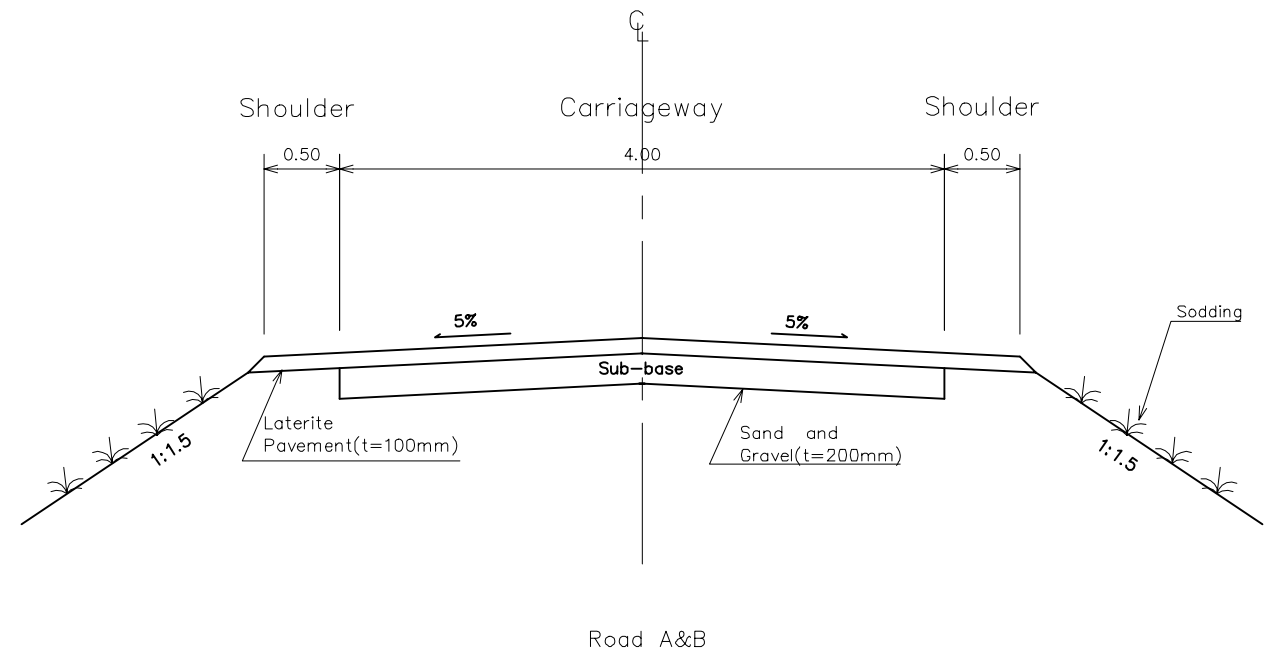
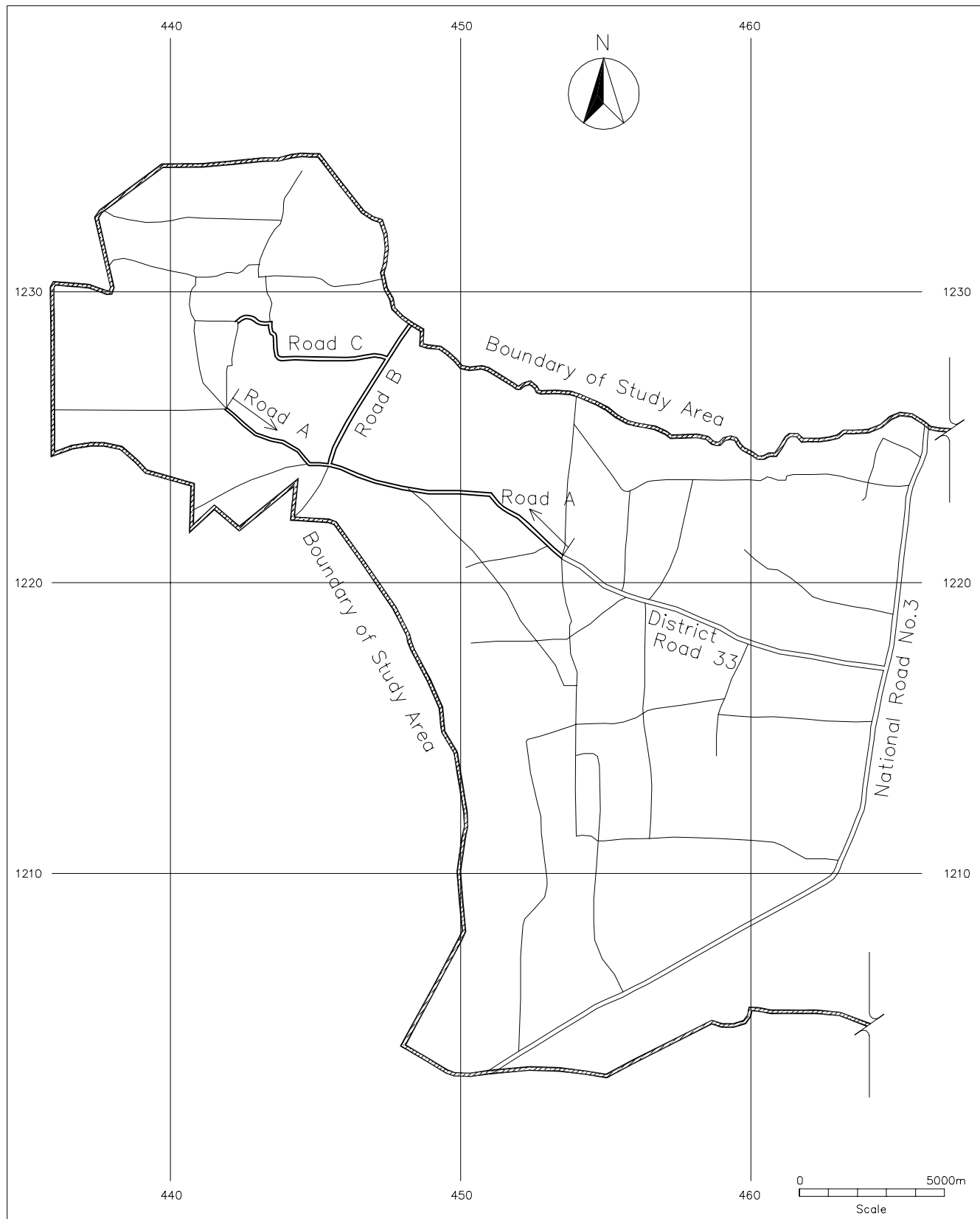
Japan International Cooperation Agency (JICA)	THE STUDY ON THE REHABILITATION AND RECONSTRUCTION OF AGRICULTURAL PRODUCTION SYSTEM IN THE SLAKOU RIVER BASIN	Title of Drawing Small Reservoir Rehabilitation Plan Kim Sei Reservoir;	DATE Jan. 2002
	THE KINGDOM OF CAMBODIA	Typical Cross Sections	DRAWING NO. 57 of 62



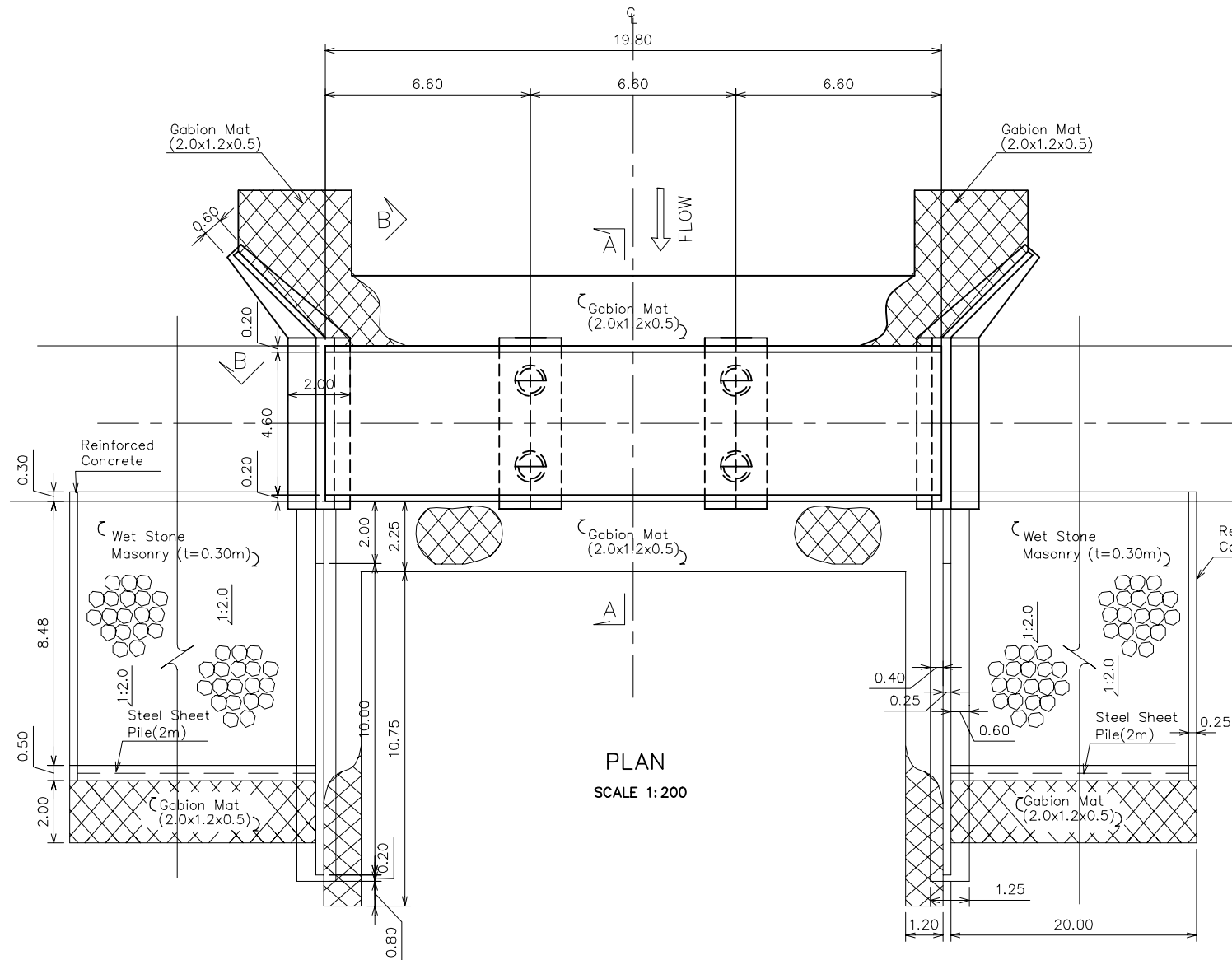
Japan International Cooperation Agency (JICA)	THE STUDY ON THE REHABILITATION AND RECONSTRUCTION OF AGRICULTURAL PRODUCTION SYSTEM IN THE SLAKOU RIVER BASIN	Title of Drawing Small Reservoir Rehabilitation Plan Kim Sei Reservoir;	DATE Jan. 2002
	THE KINGDOM OF CAMBODIA	Spillway	DRAWING NO. 58 of 62



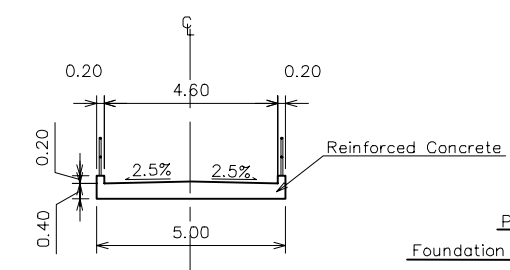
Japan International Cooperation Agency (JICA)	THE STUDY ON THE REHABILITATION AND RECONSTRUCTION OF AGRICULTURAL PRODUCTION SYSTEM IN THE SLAKOU RIVER BASIN	Title of Drawing Small Reservoir Rehabilitation Plan Kim Sei Reservoir;	DATE Jan. 2002
	THE KINGDOM OF CAMBODIA	Intake	DRAWING NO. 59 of 62



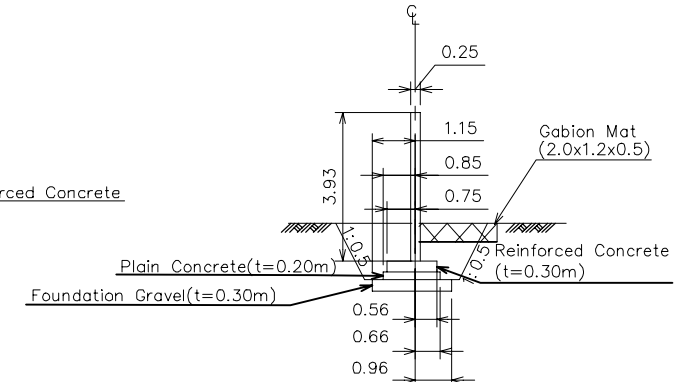
Japan International Cooperation Agency (JICA)	THE STUDY ON THE REHABILITATION AND RECONSTRUCTION OF AGRICULTURAL PRODUCTION SYSTEM IN THE SLAKOU RIVER BASIN	Title of Drawing Rural Road Improvement Program Cross Sections	DATE Jan. 2002
	THE KINGDOM OF CAMBODIA		DRAWING NO. 60 of 62



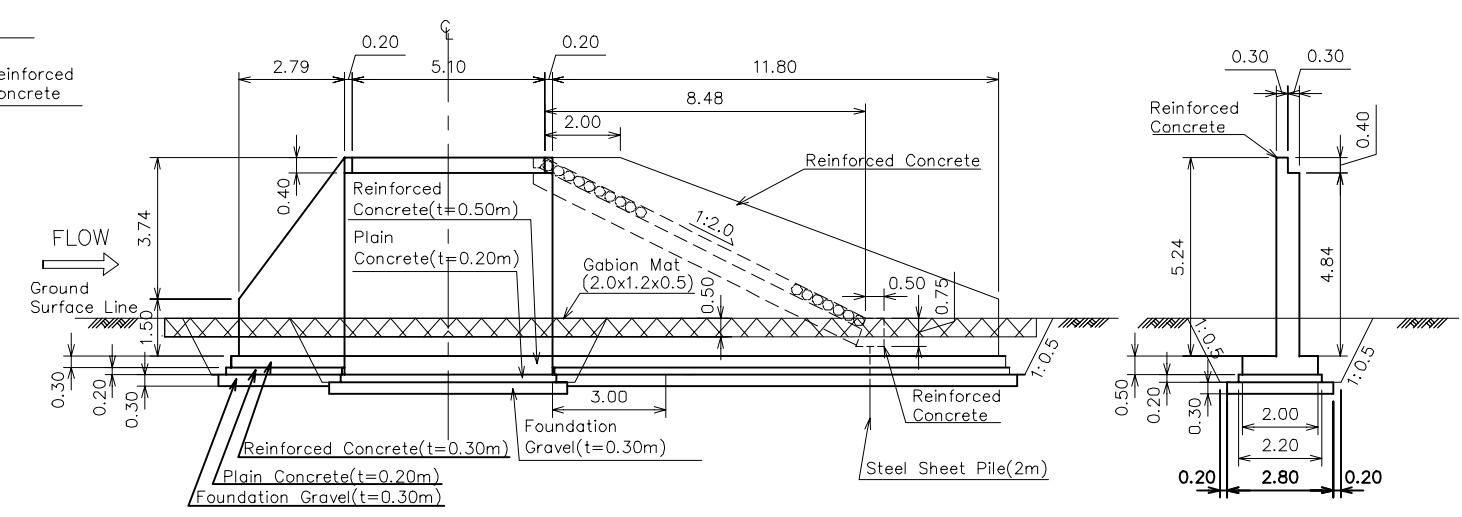
PLAN
SCALE 1:200



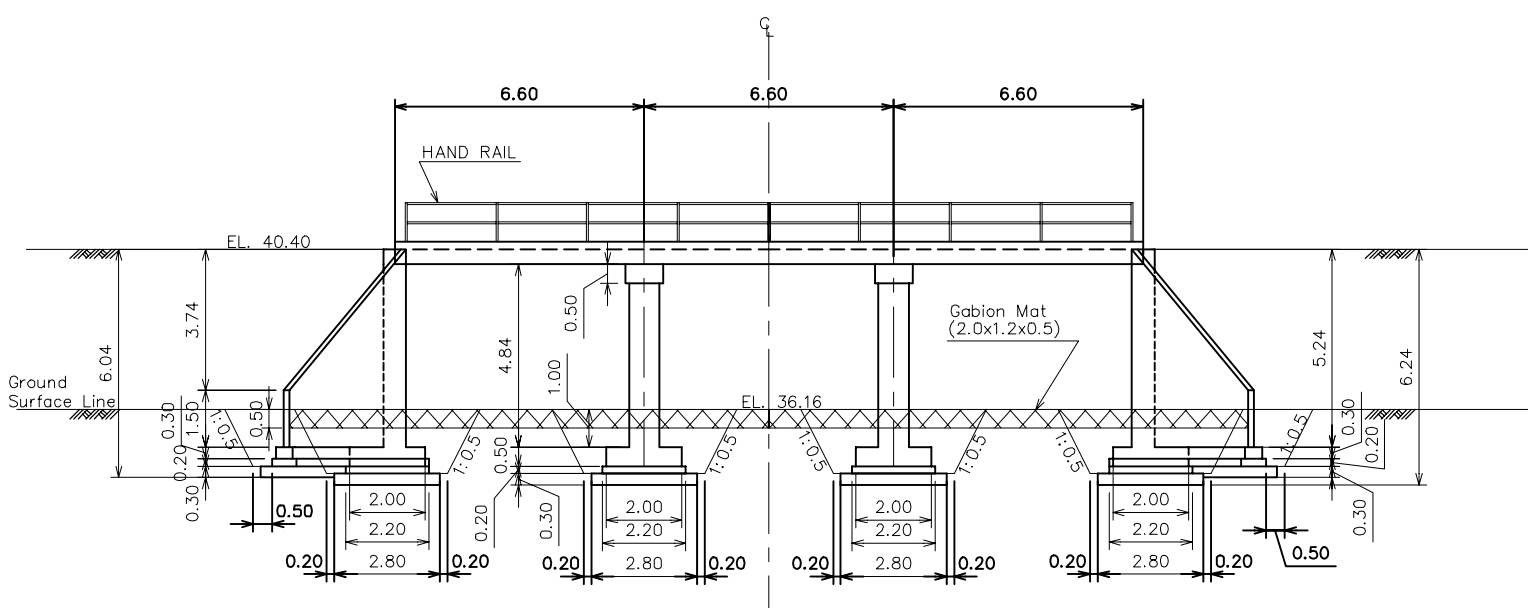
SECTION A-A
SCALE 1:200



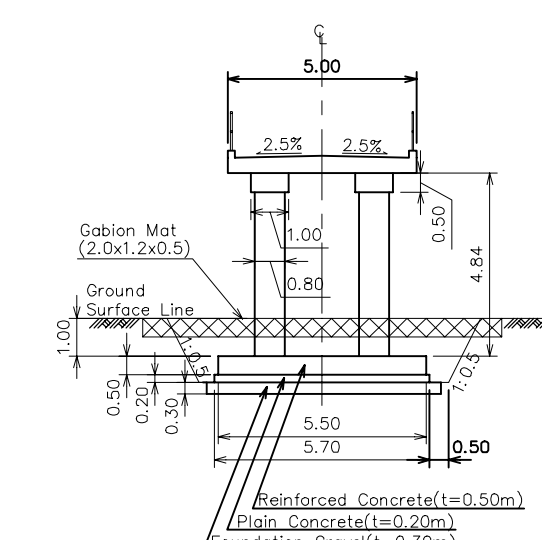
SECTION B-B(WING)
SCALE 1:200



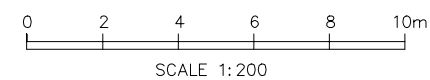
ABUTMENT
SCALE 1:200



PROFILE(UPSTREAM)
SCALE 1:200

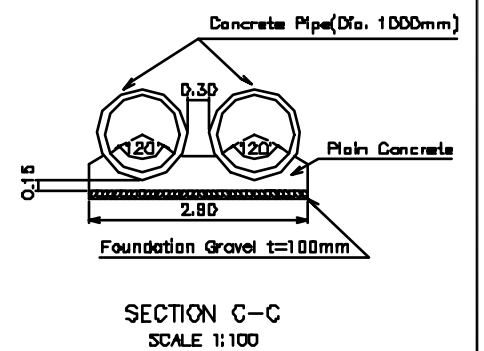
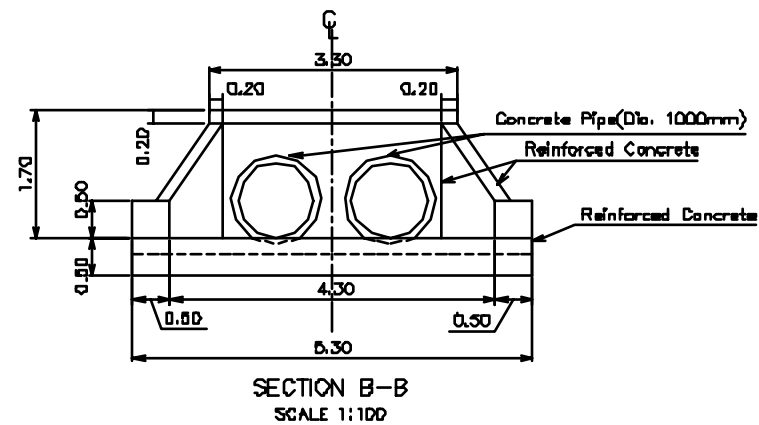
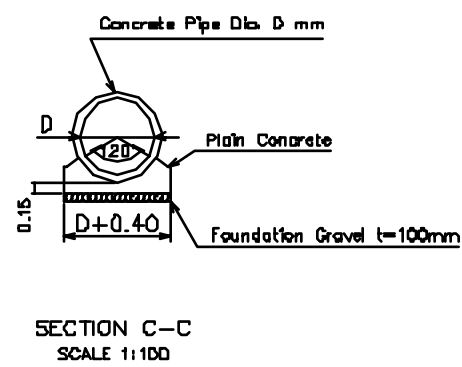
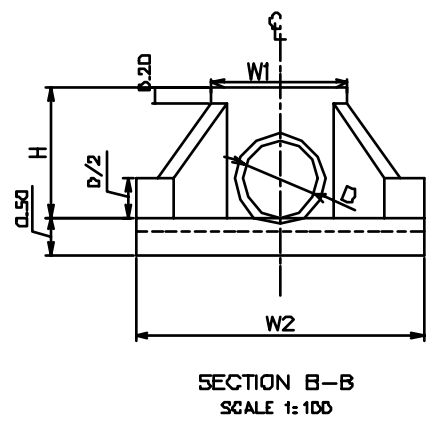
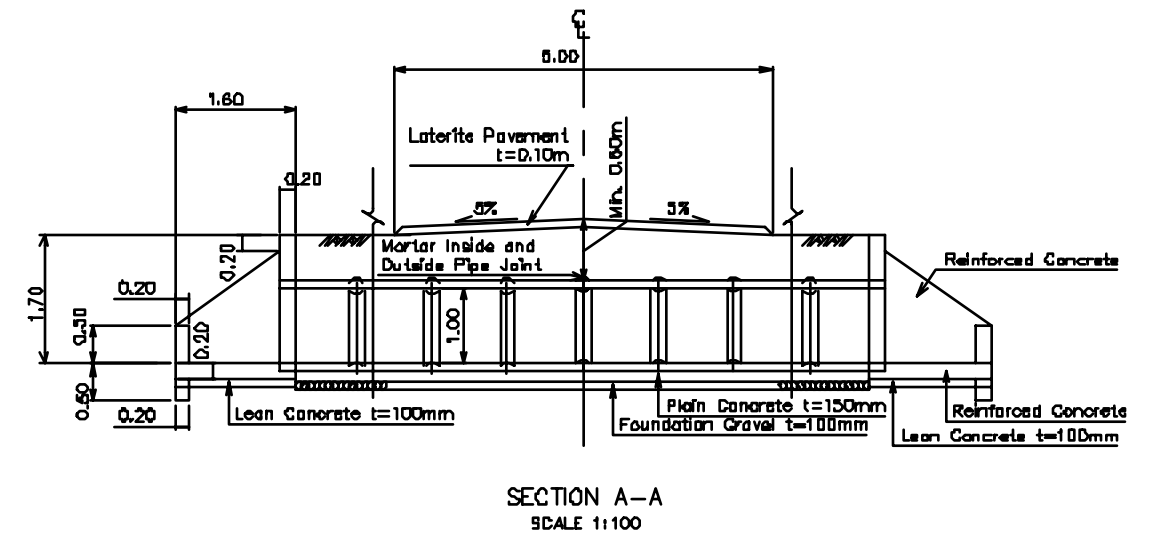
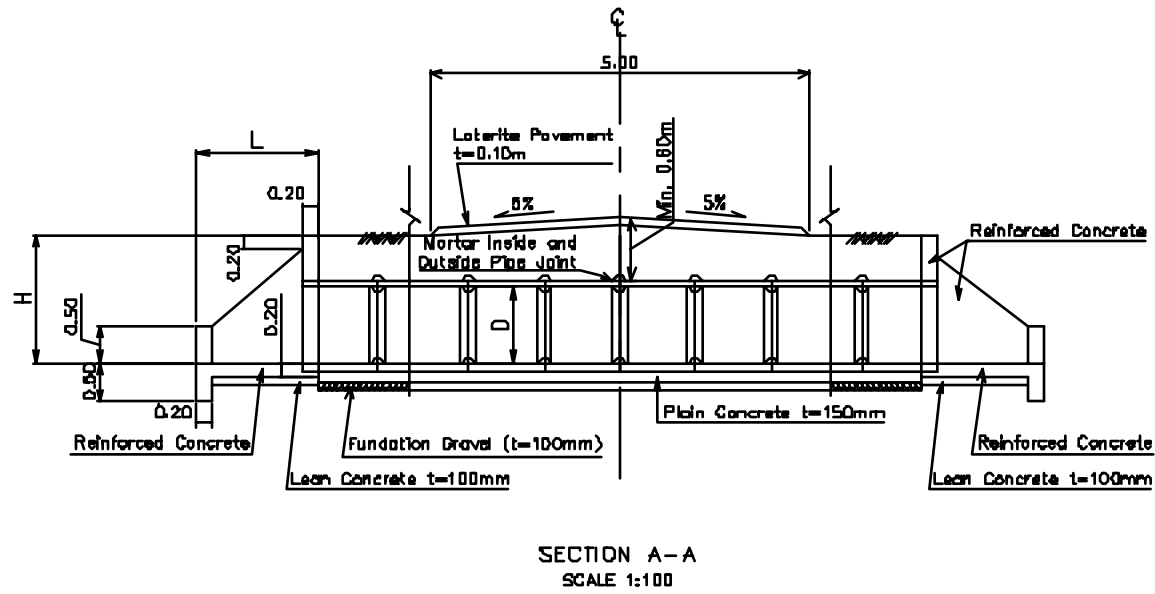
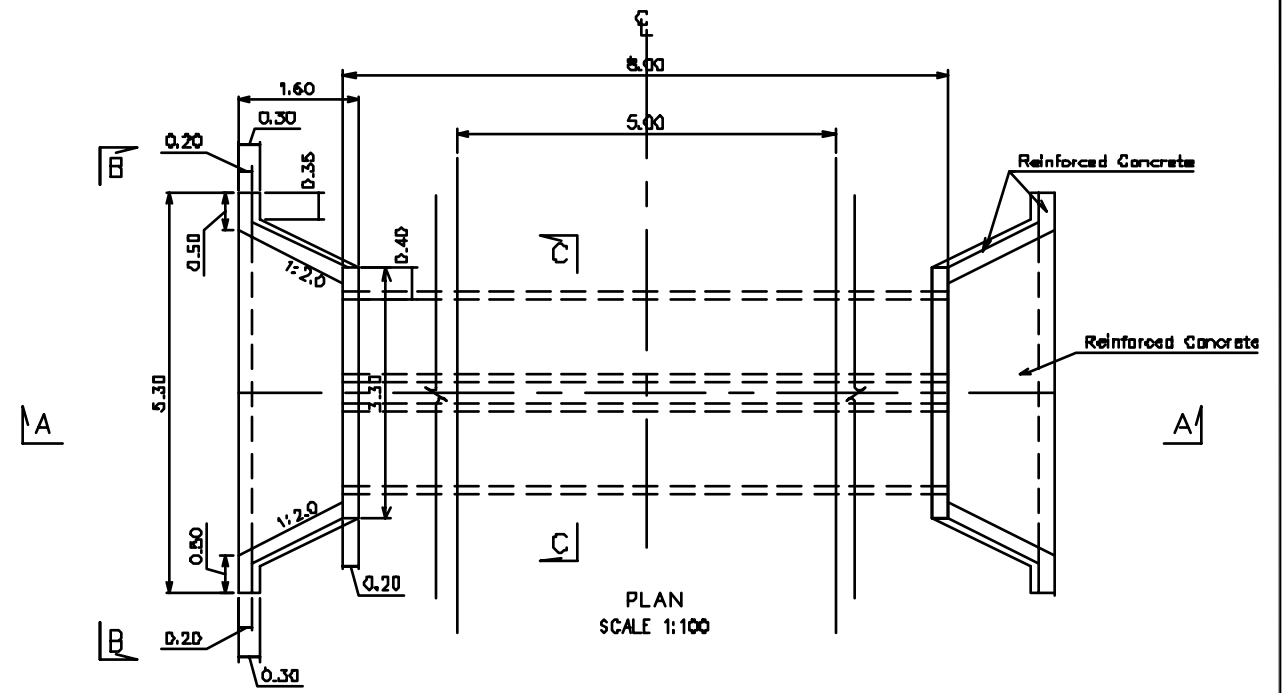
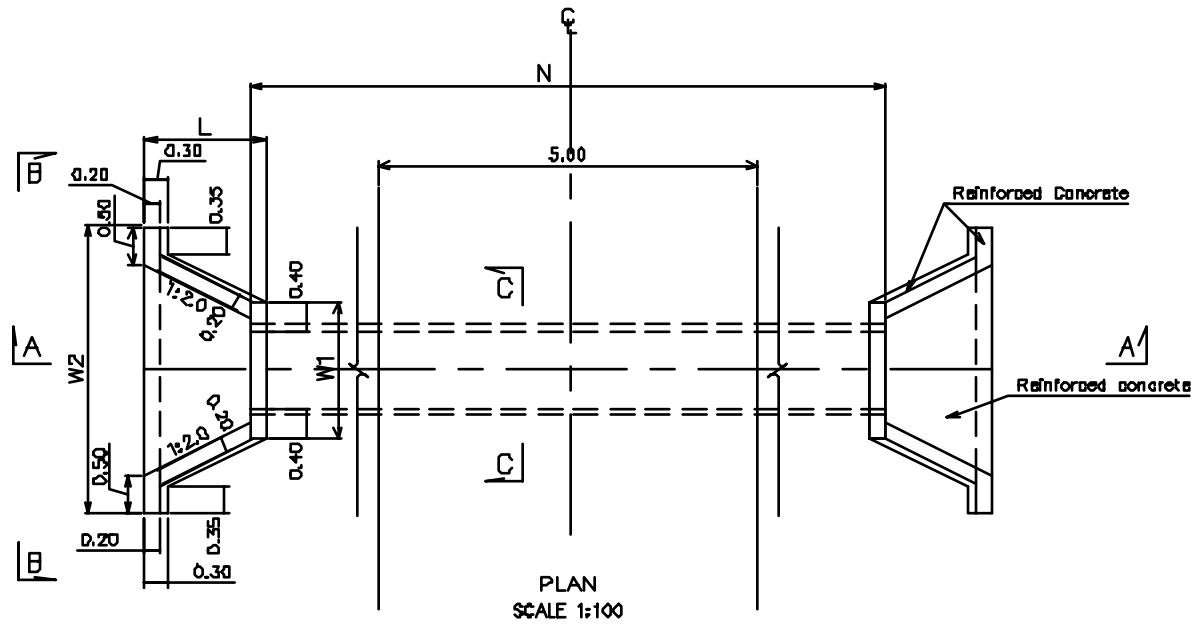


PIER
SCALE 1:200



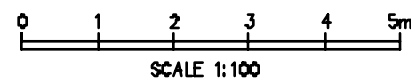
SCALE 1:200

Japan International Cooperation Agency (JICA)	THE STUDY ON THE REHABILITATION AND RECONSTRUCTION OF AGRICULTURAL PRODUCTION SYSTEM IN THE SLAKOU RIVER BASIN	Title of Drawing Rural Road Improvement Program	DATE Jan. 2002
	THE KINGDOM OF CAMBODIA	Krouch Bridge	DRAWING NO. 61 of 62



For Single Pipe Culvert

D (m)	H (m)	L (m)	W1 (m)	W2 (m)	N (m)
0.60	1.30	1.00	1.40	2.80	12
0.80	1.50	1.20	1.60	3.20	10
1.00	1.70	1.80	1.80	3.80	8



Note: Concrete Pipe of Dia. 1,000mm will be applied to Double Pipe Culvert.

Japan International Cooperation Agency JICA	THE STUDY ON THE REHABILITATION AND RECONSTRUCTION OF AGRICULTURAL PRODUCTION SYSTEM IN THE SLAKOU RIVER BASIN	Title of Drawing Rural Road Improvement Program	DATE Jan. 2002
	THE NATIONAL GOVERNMENT OF CAMBODIA		Pipe Culvert