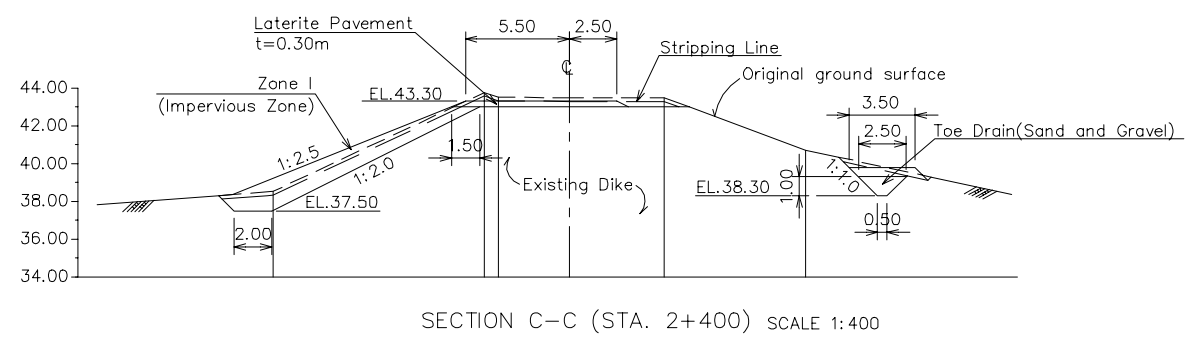
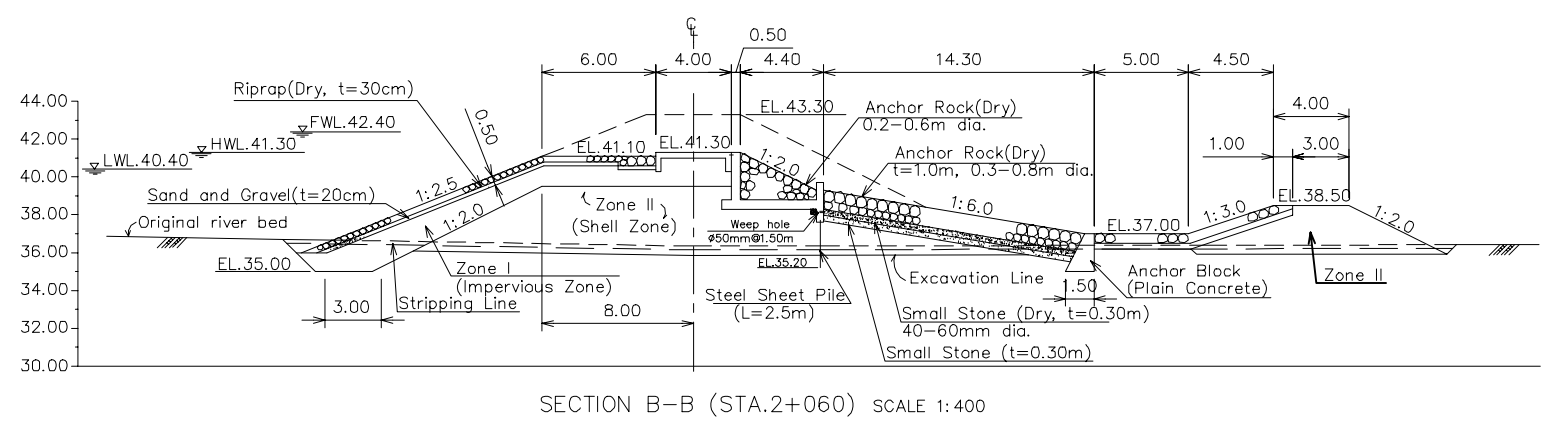
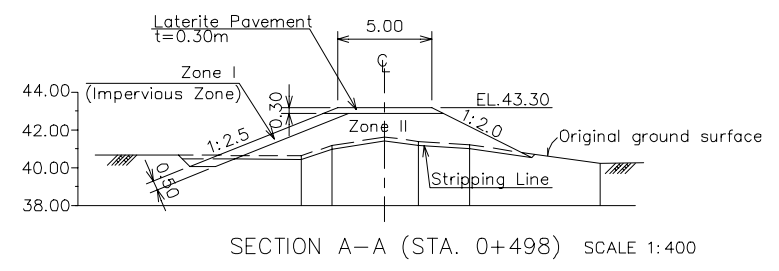
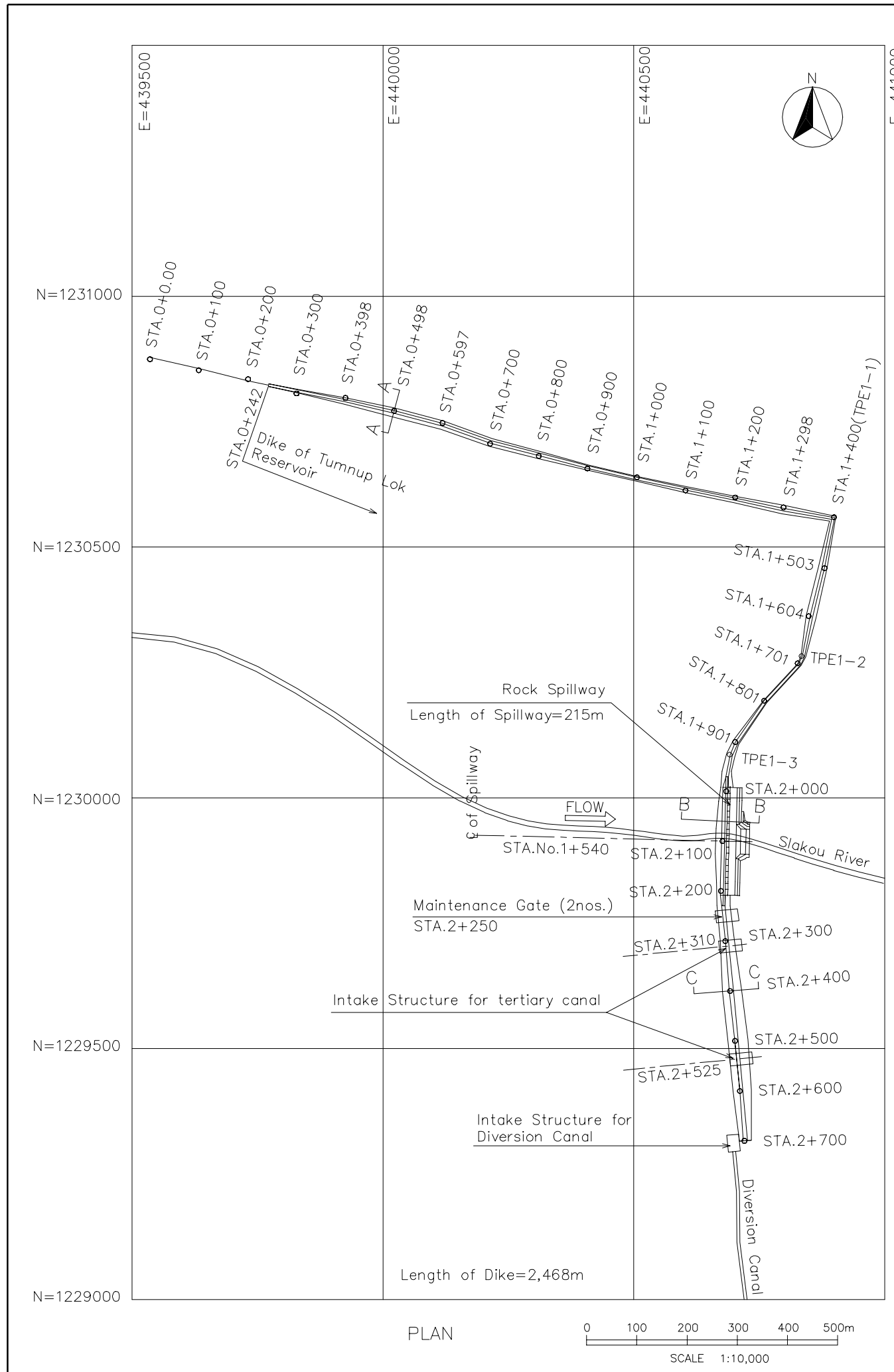


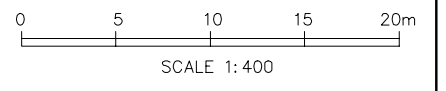
Legend of Structures

Rs: Reservoir	Ig: Intake Gate	Dv: Diversion	Ot: Off-take (1 outlet)
Of: Off-take (2 outlets)	Do: Diversion with Off-take	Dr: Drop	Bf: Foot Bridge
Br: Road Bridge (Box Culvert)	Br: Road Bridge (Pipe Culvert)	Sp: Siphon	

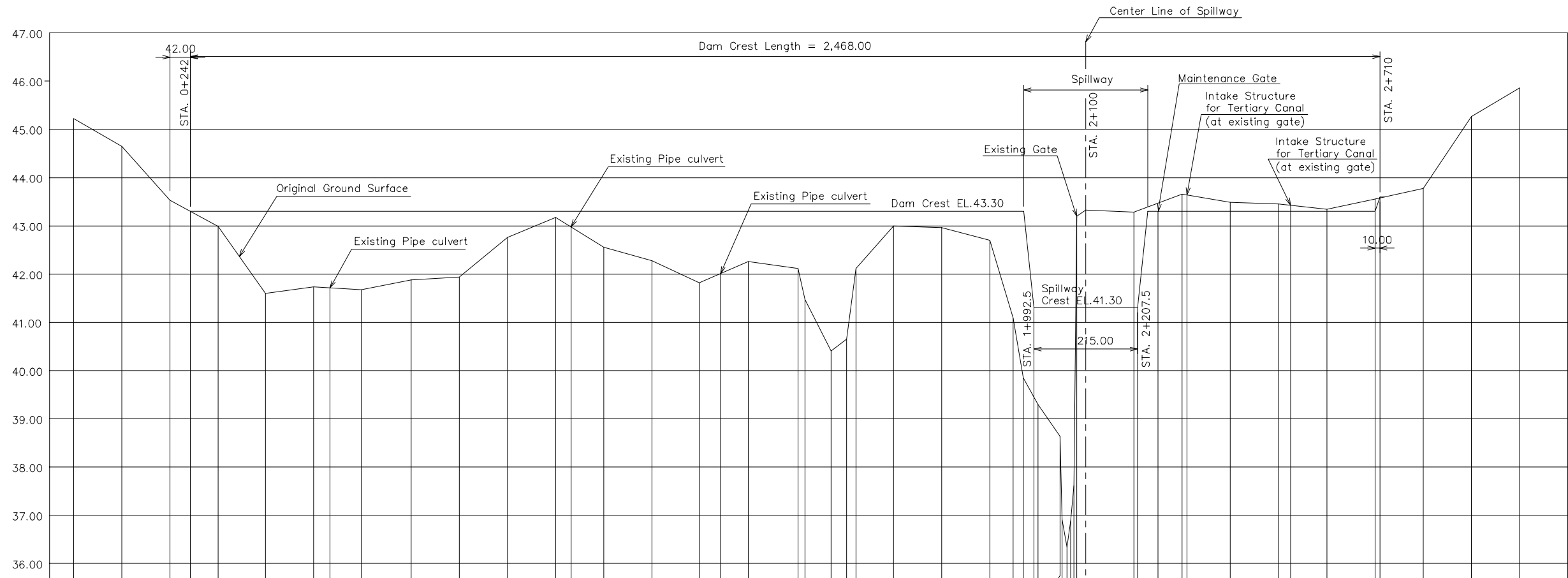
Japan International Cooperation Agency (JICA)	THE STUDY ON THE REHABILITATION AND RECONSTRUCTION OF AGRICULTURAL PRODUCTION SYSTEM IN THE SLAKOU RIVER BASIN	Title of Drawing Upper Slakou River Irrigation Reconstruction Plan	DATE Jan. 2002
	THE KINGDOM OF CAMBODIA	Location Map of Canal Structures	DRAWING NO. 6/62



Note ; Zone I (Impervious Zone); Mixed Soil Material of Laterite, Clayey Gravel and Excavated Soil at Reservoir Area  
 Zone II (Shell Zone); Excavated Soil at Reservoir Area (CL, SC, SM)

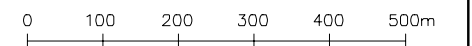


Japan International Cooperation Agency (JICA)	THE STUDY ON THE REHABILITATION AND RECONSTRUCTION OF AGRICULTURAL PRODUCTION SYSTEM IN THE SLAKOU RIVER BASIN	Title of Drawing Upper Slakou River Irrigation Reconstruction Plan Tumnap Lok Reservoir;	DATE Jan. 2002
	THE KINGDOM OF CAMBODIA	General Plan	DRAWING NO. 7 of 62

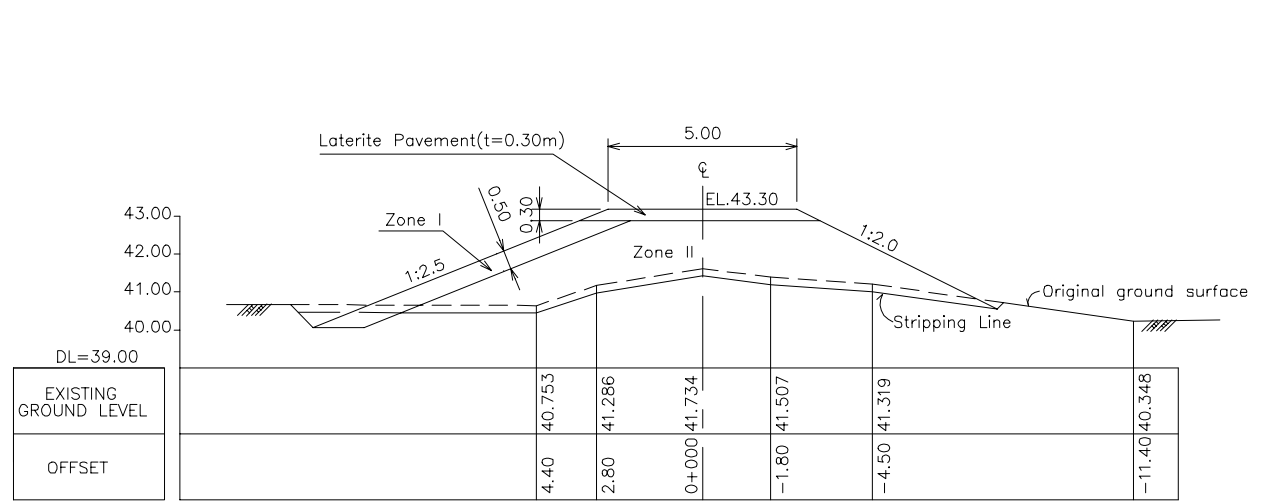


STATION No.	DISTANCE (m)	ACCUMULATED DISTANCE (m)	ELEVATION at CREST of DIKE(m)	EXISTING GROUND LEVEL(m)
CRE1-0	0+000	0.0		45.224
CRE1-1	0+100	100.0		44.646
CRE1-2	0+200	200.0		43.527
CRE1-3	0+242	242.0	43.3	
CRE1-4	0+300	300.0	43.3	42.991
CRE1-5	0+398	398.0	43.3	41.602
CRE1-6	0+498	498.0	43.3	41.734
CRE1-7	0+532	532.0	43.3	41.676
CRE1-8	0+597	597.0	43.3	41.879
CRE1-9	0+700	700.0	43.3	41.942
CRE1-10	0+800	800.0	43.3	42.760
CRE1-11	0+900	900.0	43.3	43.178
CRE1-12	1+000	1000.0	43.3	42.559
CRE1-13	1+032	1032.0	43.3	42.273
CRE1-14	1+100	1100.0	43.3	41.818
CRE1-15	1+140	1140.0	43.3	42.259
CRE1-16	1+200	1200.0	43.3	42.112
CRE1-17	1+298	1298.0	43.3	41.472
CRE1-18	1+342	1342.0	43.3	40.405
CRE1-19	1+400	1400.0	43.3	40.651
CRE1-20	1+503	1503.0	43.3	42.112
CRE1-21	1+517	1517.0	43.3	42.995
CRE1-22	1+572	1572.0	43.3	42.962
CRE1-23	1+604	1604.0	43.3	42.699
CRE1-24	1+627	1627.0	43.3	41.090
CRE1-25	1+701	1701.0	43.3	39.850
CRE1-26	1+801	1801.0	43.3	39.295
CRE1-27	1+901	1901.0	43.3	39.295
CRE1-28	1+949	1949.0	43.3	39.295
CRE1-29	1+975	1975.0	43.3	39.295
CRE1-30	1+992.5	1992.5	43.3	39.295
CRE1-31	2+000	2000.0	41.3	41.97
CRE1-32	2+000	2000.0	41.3	43.323
CRE1-33	2+100	2100.0	41.3	43.287
CRE1-34	2+200	2200.0	41.3	43.287
CRE1-35	2+207.5	2207.5	41.3	43.287
CRE1-36	2+250	2250.0	43.3	43.3
CRE1-37	2+250	2250.0	43.3	43.3
CRE1-38	2+300	2300.0	43.3	43.657
CRE1-39	2+310	2310.0	43.3	43.486
CRE1-40	2+400	2400.0	43.3	43.453
CRE1-41	2+500	2500.0	43.3	43.342
CRE1-42	2+525	2525.0	43.3	43.556
CRE1-43	2+600	2600.0	43.3	43.777
CRE1-44	2+700	2700.0	43.3	45.266
CRE1-45	2+710	2710.0	43.3	45.860
CRE1-46	2+800	2800.0		
CRE1-47	2+900	2900.0		
CRE1-48	3+000	3000.0		

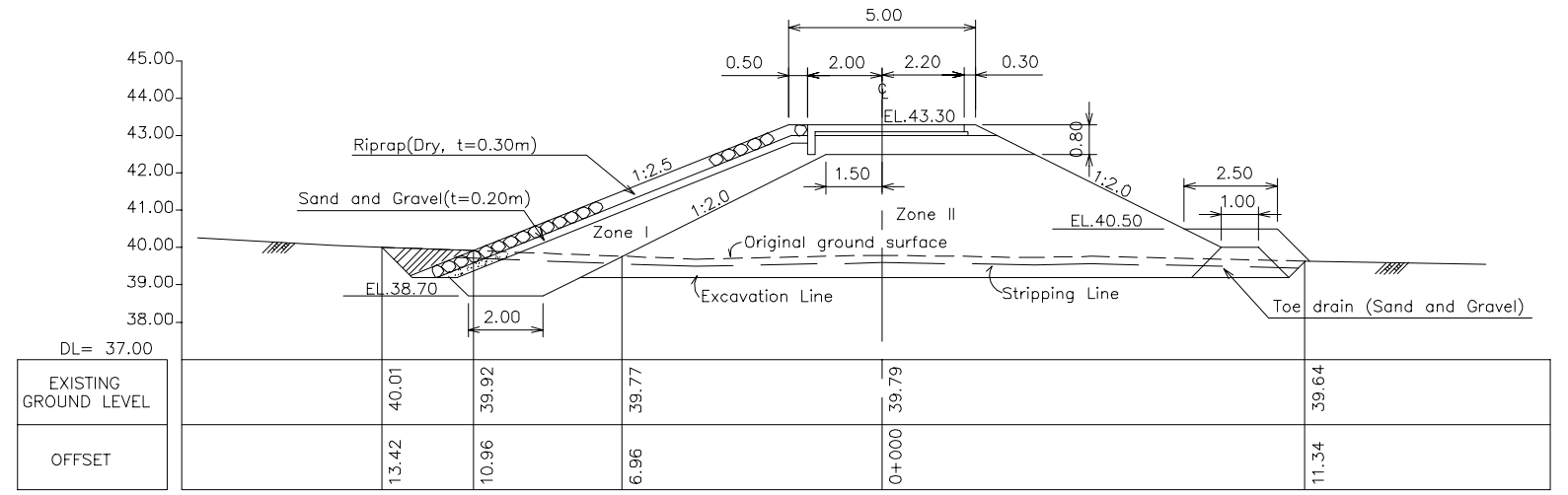
V=1/100 H=1/10,000



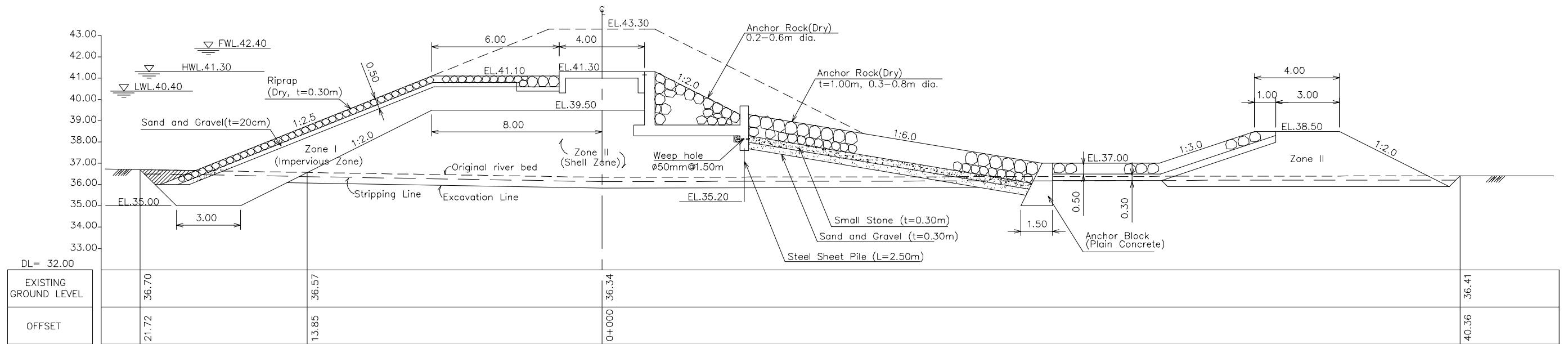
Japan International Cooperation Agency (JICA)	THE STUDY ON THE REHABILITATION AND RECONSTRUCTION OF AGRICULTURAL PRODUCTION SYSTEM IN THE SLAKOU RIVER BASIN	Title of Drawing	DATE Jan. 2002
	THE KINGDOM OF CAMBODIA	Upper Slakou River Irrigation Reconstruction Plan Turnup Lok Reservoir; <b>Profile of Dike</b>	DRAWING NO. 8 of 62



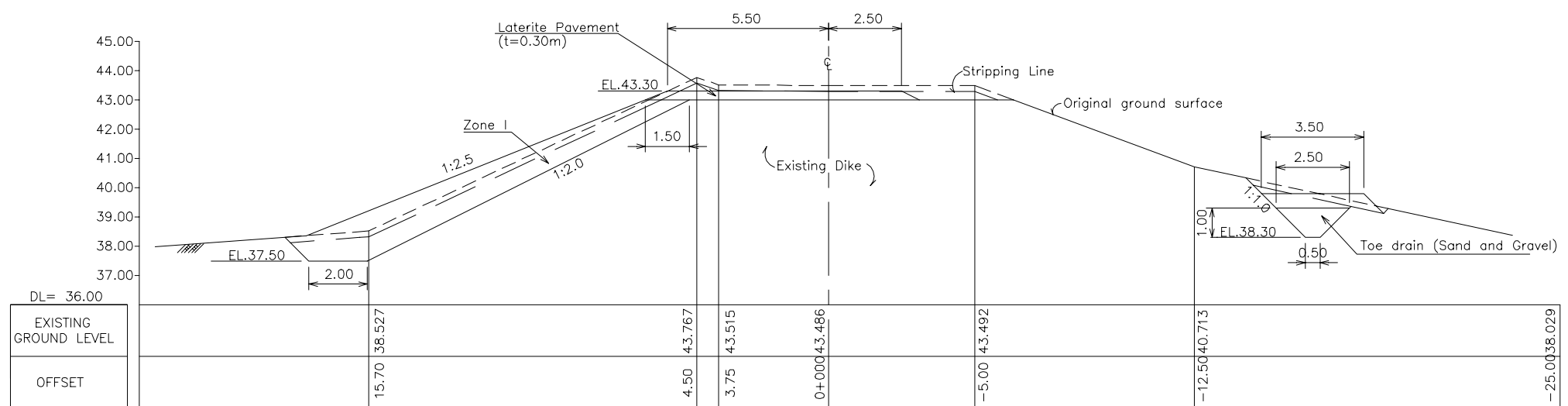
STA. 0+498



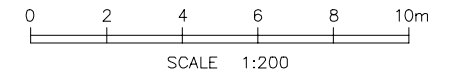
STA. 1+971.5



STA. 2+060

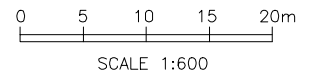
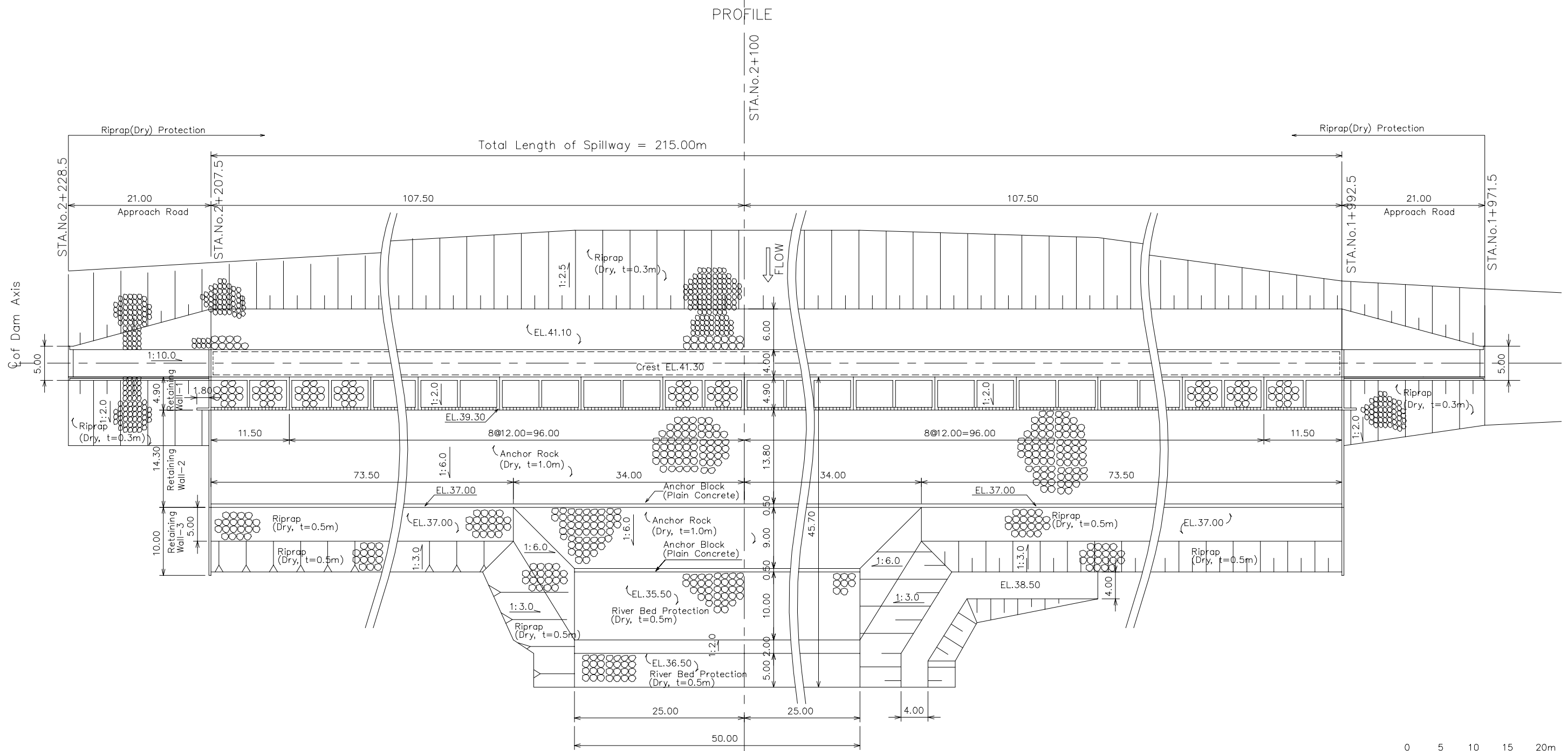
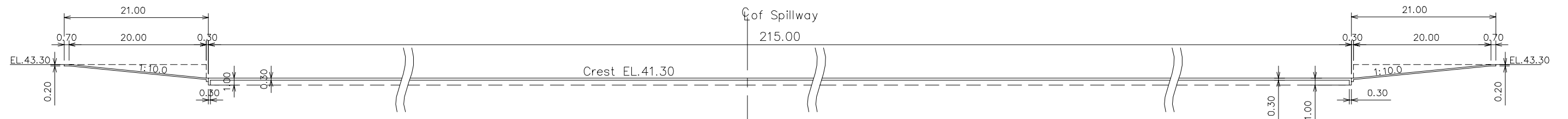


STA. 2+400

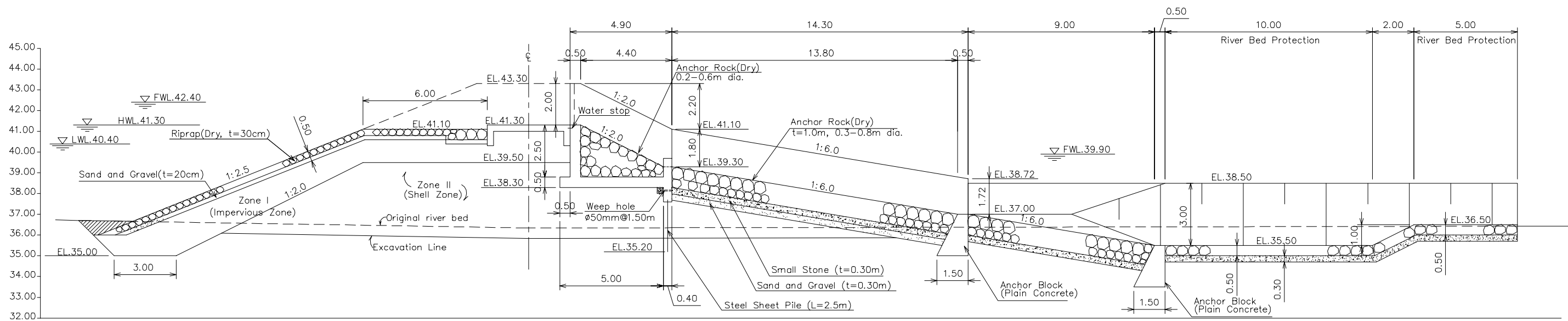


Note ; Zone I(Impervious Zone); Mixed Soil Material of Laterite, Clayey Gravel and Excavated Soil at Reservoir Area  
Zone II(Shell Zone); Excavated Soil at Reservoir Area(CL, SC, SM)

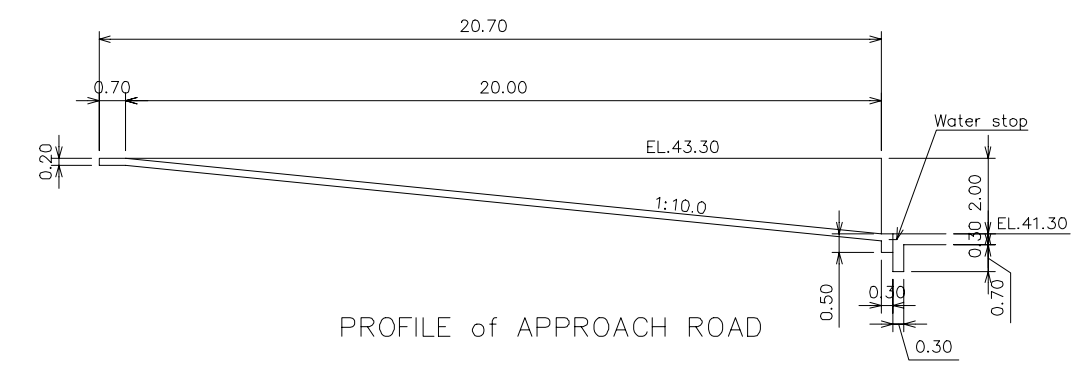
Japan International Cooperation Agency (JICA)	THE STUDY ON THE REHABILITATION AND RECONSTRUCTION OF AGRICULTURAL PRODUCTION SYSTEM IN THE SLAKOU RIVER BASIN	Title of Drawing	DATE Jan. 2002
	THE KINGDOM OF CAMBODIA	Upper Slakou River Irrigation Reconstruction Plan Tumnu Lok Reservoir; Typical Cross Sections of Dike	DRAWING NO. 9 of 62



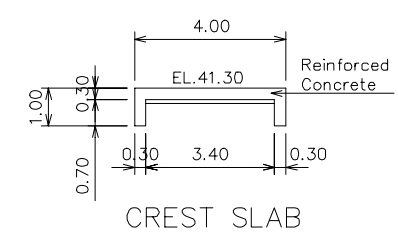
Japan International Cooperation Agency (JICA)	THE STUDY ON THE REHABILITATION AND RECONSTRUCTION OF AGRICULTURAL PRODUCTION SYSTEM IN THE SLAKOU RIVER BASIN	Title of Drawing Upper Slakou River Irrigation Reconstruction Plan Tumnupek Reservoir; <b>Plan of Spillway</b>	DATE Jan. 2002
	THE KINGDOM OF CAMBODIA		DRAWING NO. 10 of 62



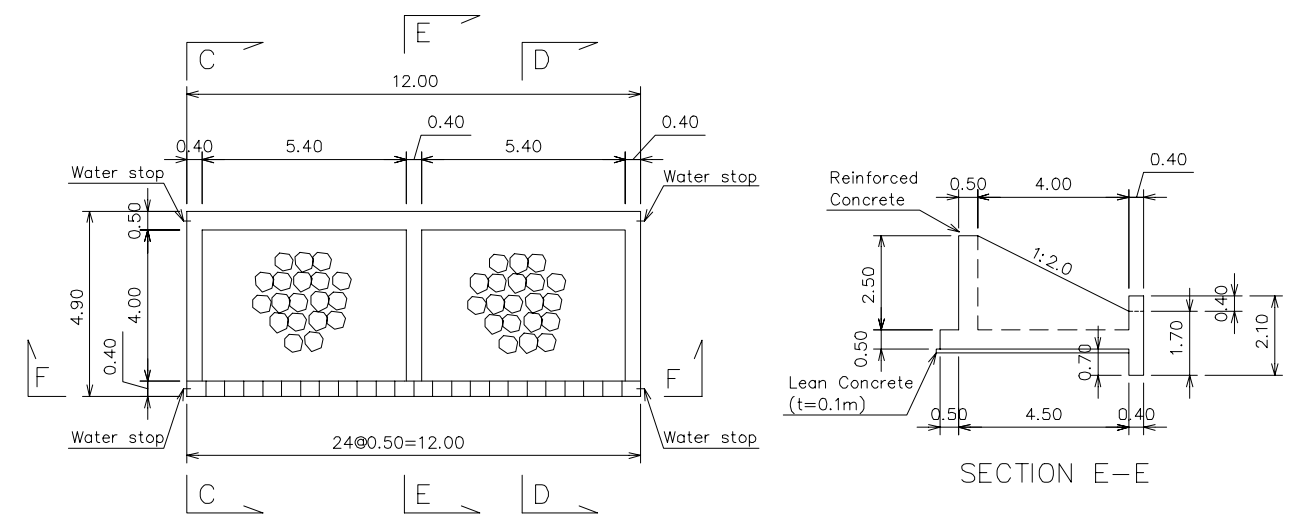
PROFILE



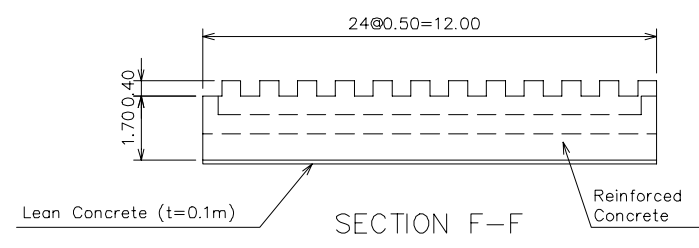
PROFILE of APPROACH ROAD



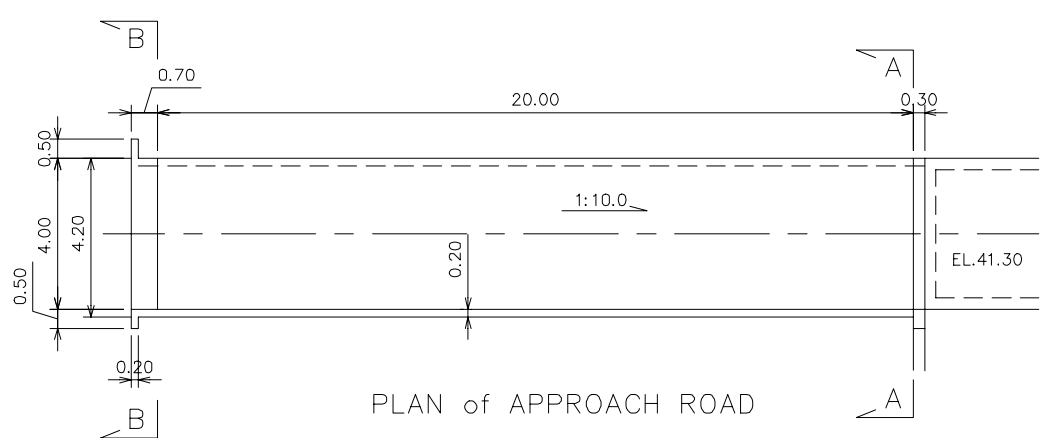
CREST SLAB



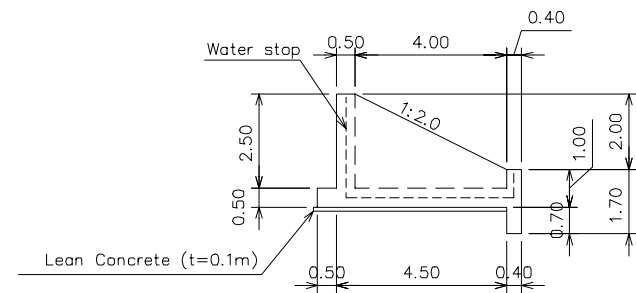
PLAN



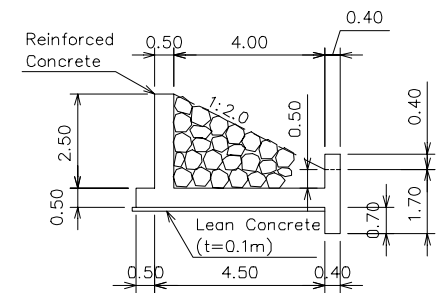
SECTION F-F



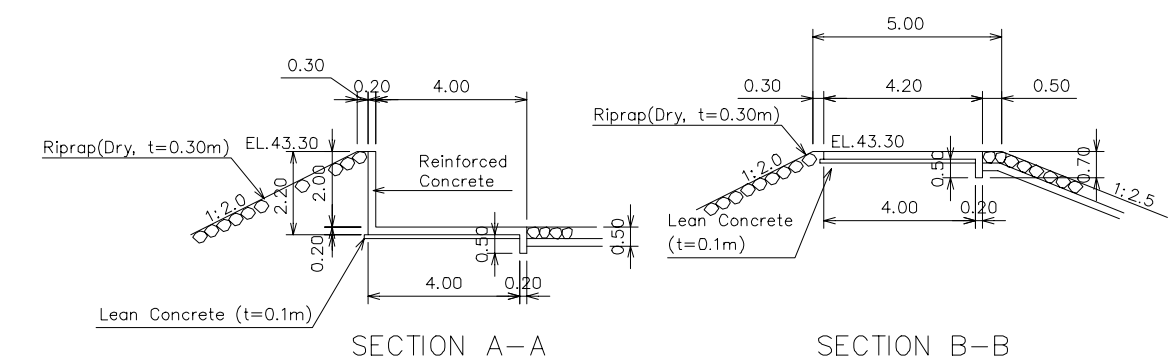
PLAN of APPROACH ROAD



SECTION C-C

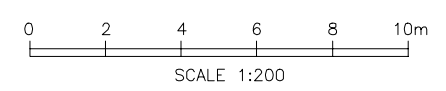


SECTION D-D



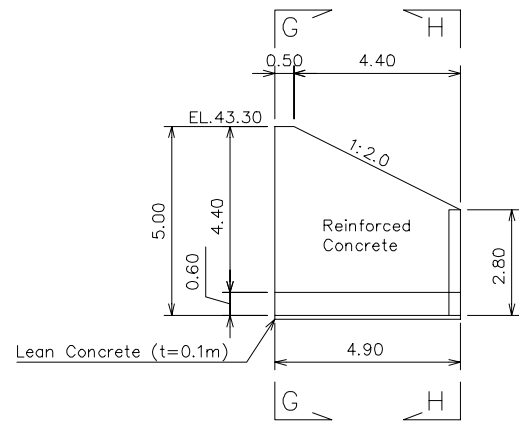
SECTION A-A

SECTION B-B

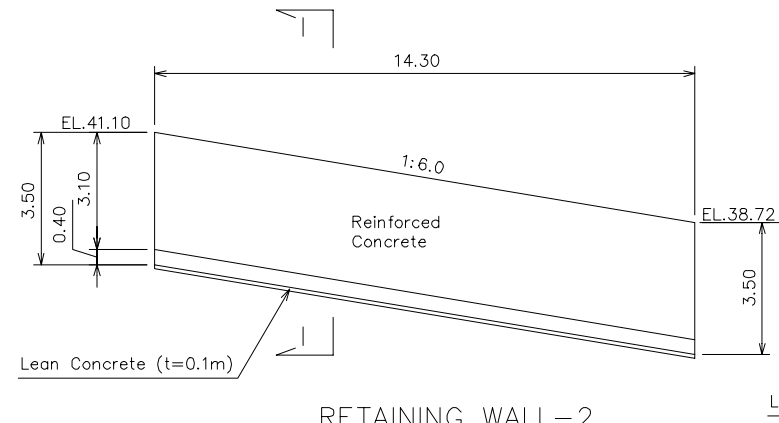


Note ; Zone I (Impervious Zone); Mixed Soil Material of Laterite, Clayey Gravel and Excavated Soil at Reservoir Area  
Zone II (Shell Zone); Excavated Soil at Reservoir Area (CL, SC, SM)

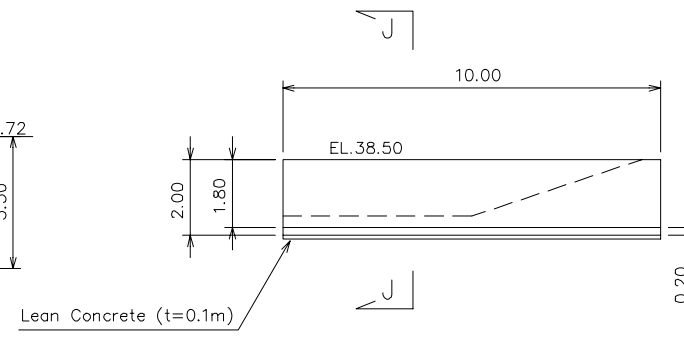
Japan International Cooperation Agency (JICA)	THE STUDY ON THE REHABILITATION AND RECONSTRUCTION OF AGRICULTURAL PRODUCTION SYSTEM IN THE SLAKOU RIVER BASIN	Title of Drawing	DATE Jan. 2002
	THE KINGDOM OF CAMBODIA	Upper Slakou River Irrigation Reconstruction Plan Turnup Lok Reservoir; Profile and Structure of Spillway(1/2)	DRAWING NO. 11 of 62



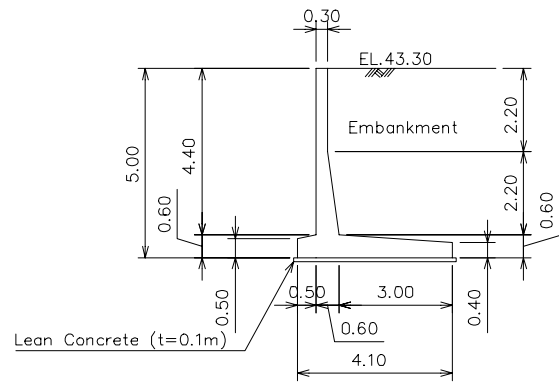
RETAINING WALL-1



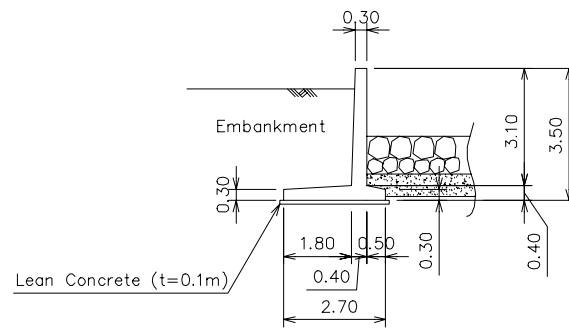
RETAINING WALL-2



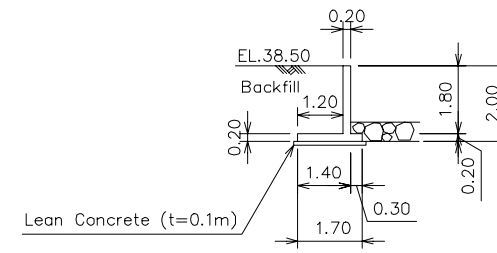
RETAINING WALL-3



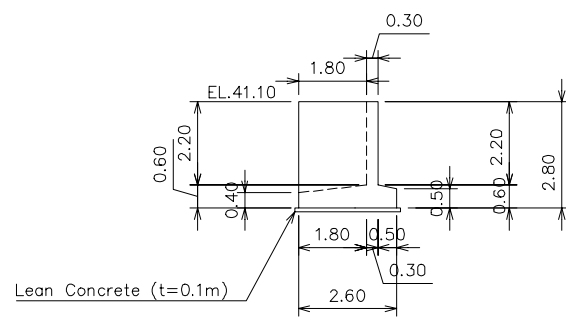
SECTION G-G



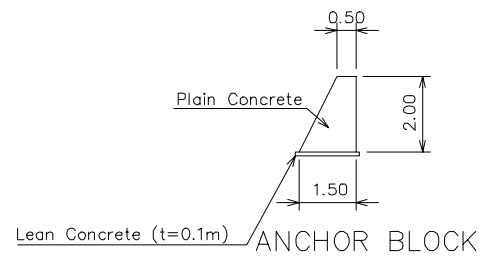
SECTION I-I



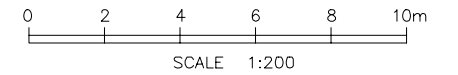
SECTION J-J



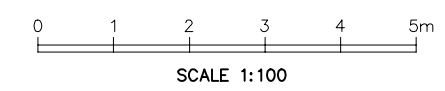
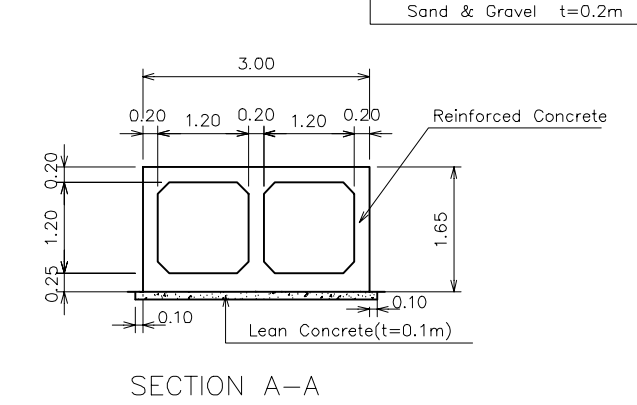
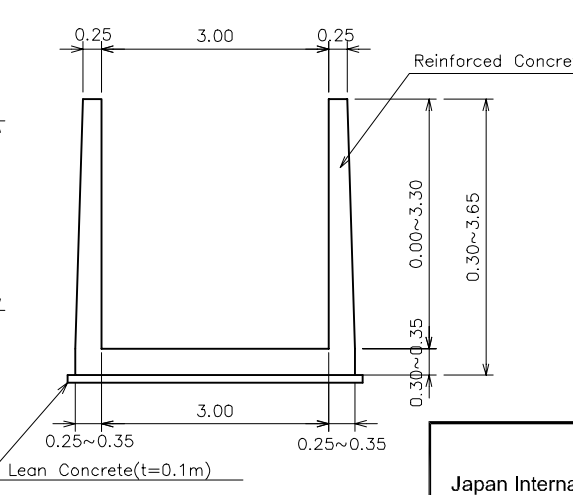
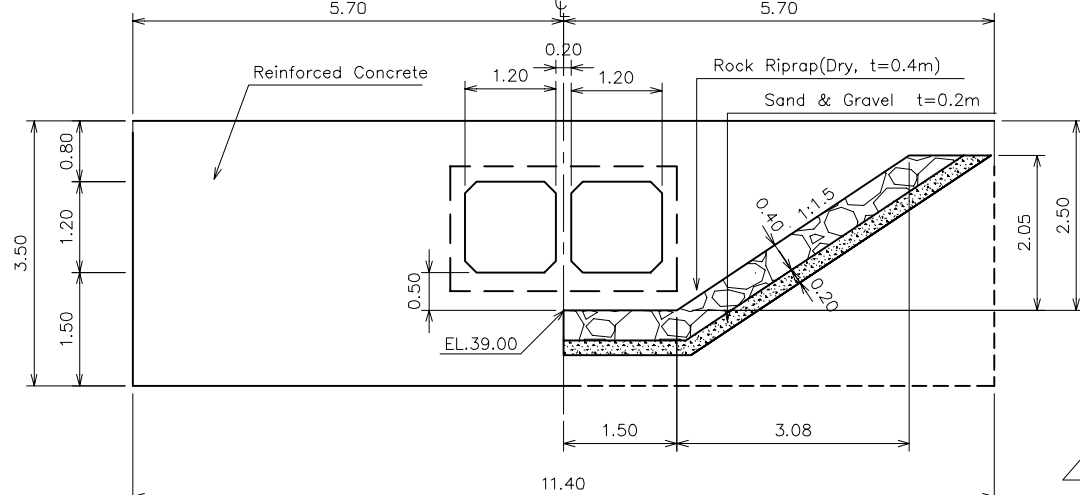
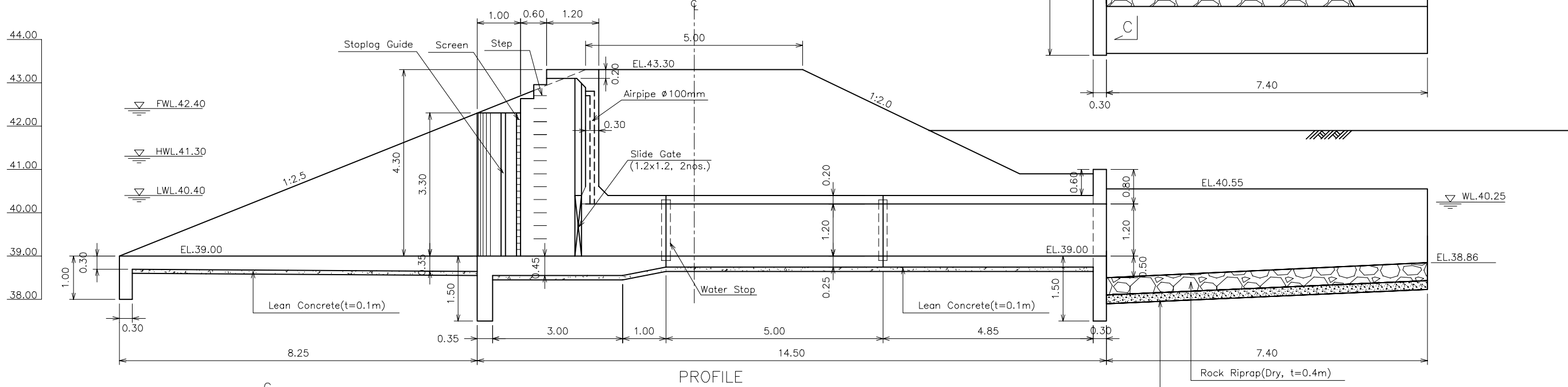
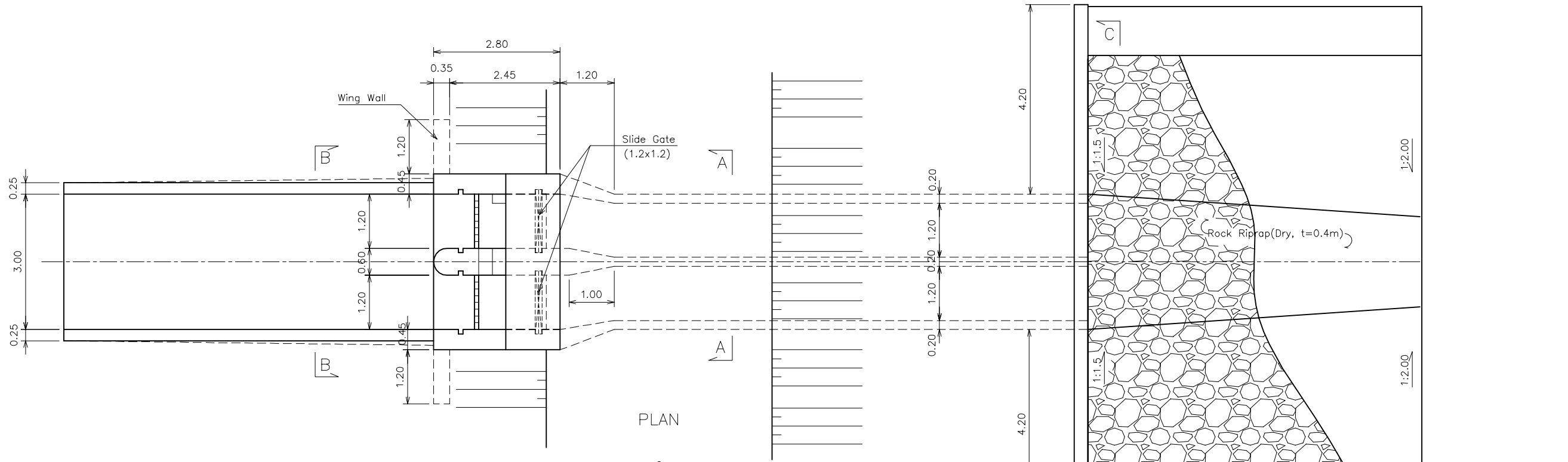
SECTION H-H



ANCHOR BLOCK

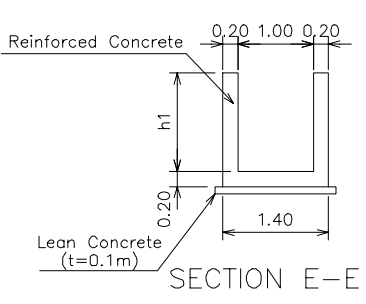
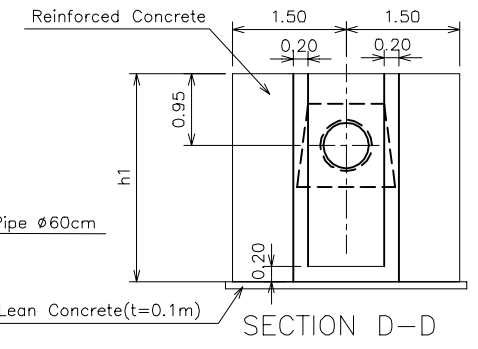
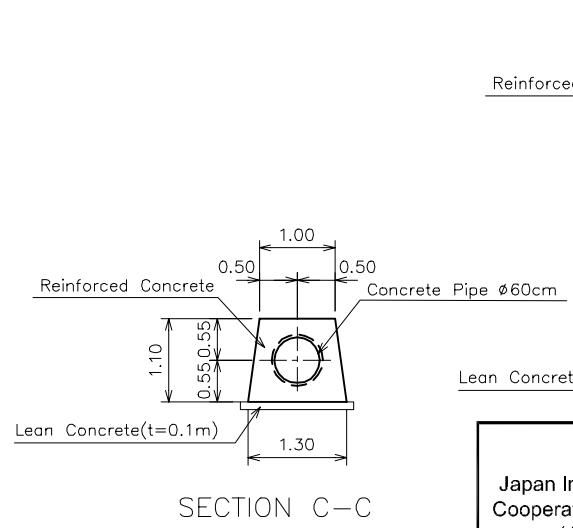
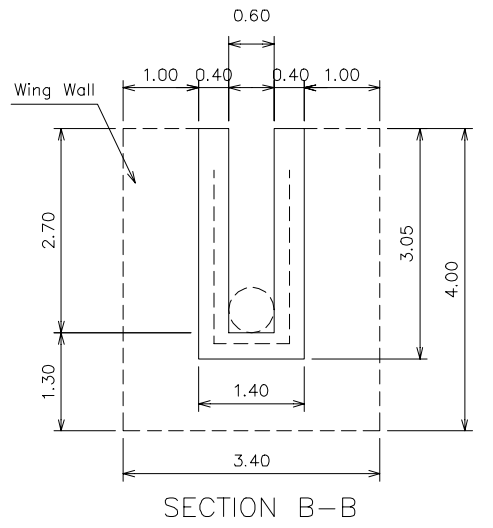
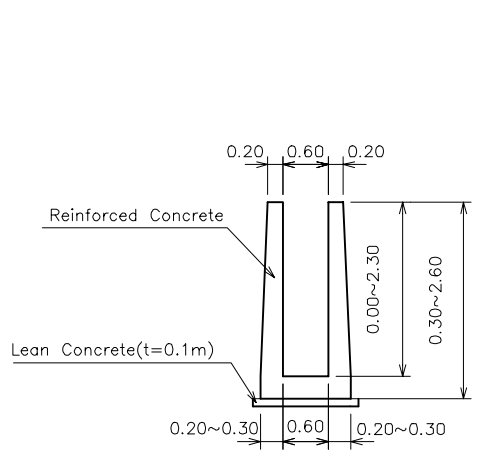
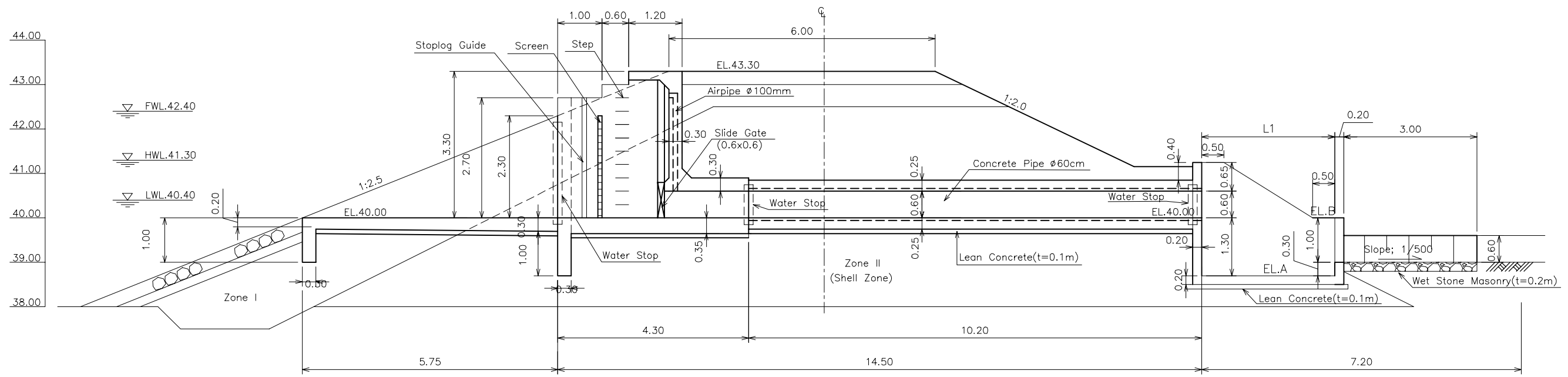
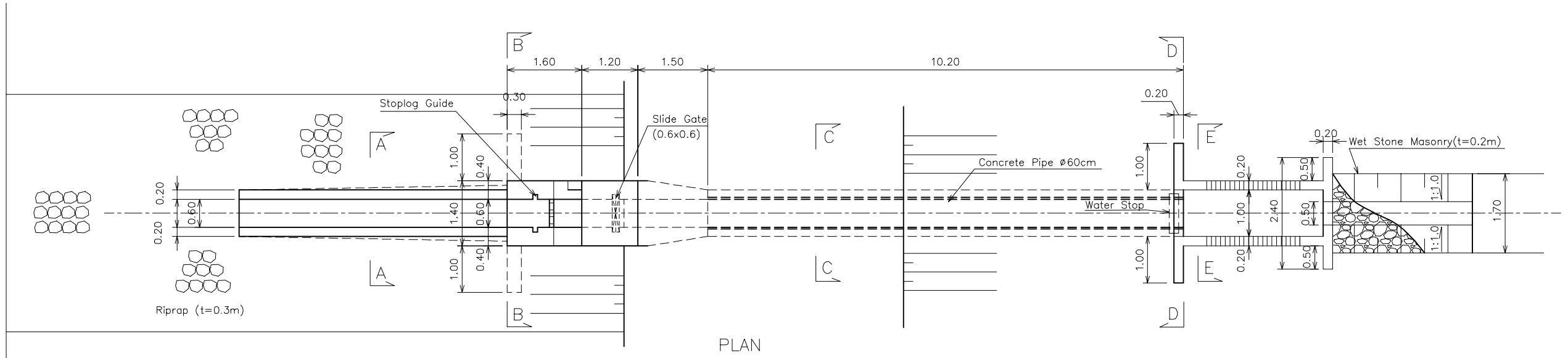


Japan International Cooperation Agency (JICA)	THE STUDY ON THE REHABILITATION AND RECONSTRUCTION OF AGRICULTURAL PRODUCTION SYSTEM IN THE SLAKOU RIVER BASIN	Title of Drawing	DATE Jan. 2002
	THE KINGDOM OF CAMBODIA	Upper Slakou River Irrigation Reconstruction Plan Tumnap Lok Reservoir; Profile and Structure of Spillway(2/2)	DRAWING NO. 12 of 62



Japan International Cooperation Agency (JICA)	THE STUDY ON THE REHABILITATION AND RECONSTRUCTION OF AGRICULTURAL PRODUCTION SYSTEM IN THE SLAKOU RIVER BASIN	Title of Drawing	DATE Jan. 2002
	THE KINGDOM OF CAMBODIA	Upper Slakou River Irrigation Reconstruction Plan Turnup Lok Reservoir; Intake Structure for Diversion Canal	DRAWING NO. 13 of 62

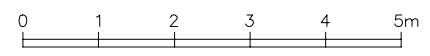




Note 1; Two intake structures for tertiary canal will be constructed at STA.2+310 and STA.2+525. The dimensions of two structures except the outlets are the same as those of the outlets are shown in Table below.

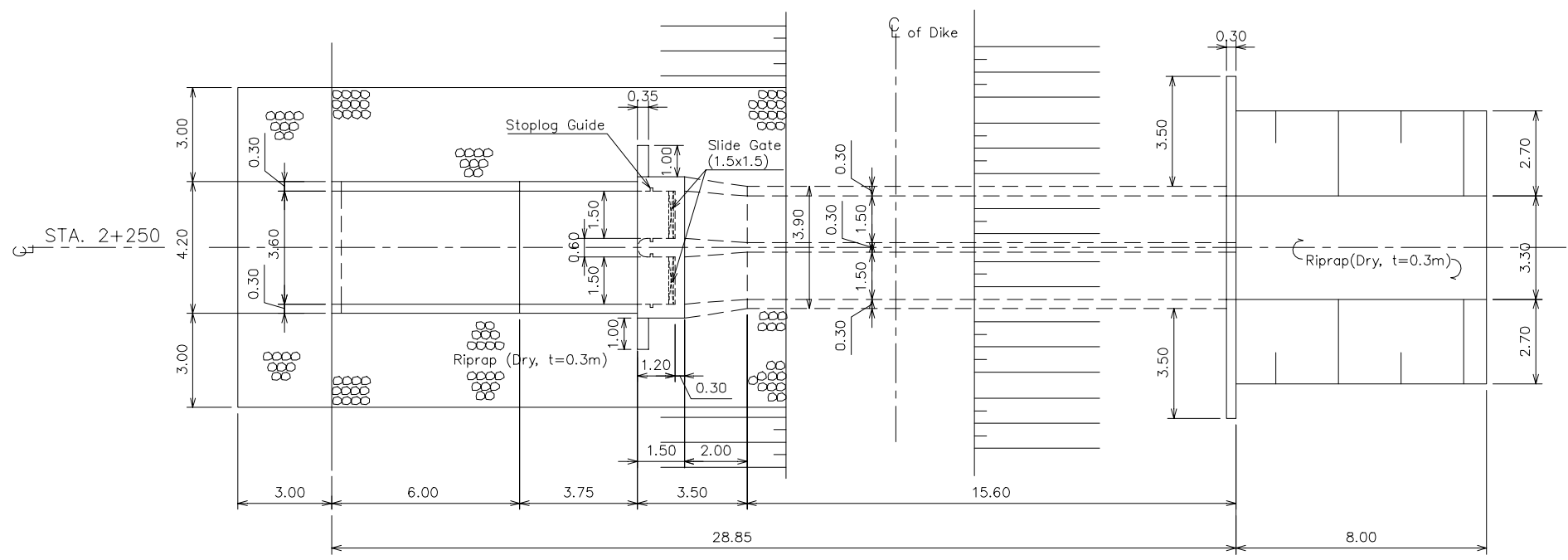
Note 2; Zone I(Impervious Zone); Mixed Soil Material of Laterite, Clayey Gravel and Excavated Soil at Reservoir Area  
 Zone II(Shell Zone); Excavated Soil at Reservoir Area (CL, SC, SM)

STA.No.	Dimension			
	L1(m)	EL.A	EL.B	h1(m)
STA. 2+310	3.00	EL.38.50	EL.40.00	1.30-2.55
STA. 2+525	4.00	EL.37.50	EL.39.00	1.30-3.55

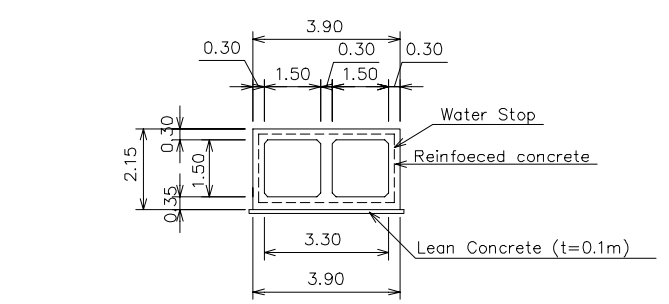


SCALE 1:100

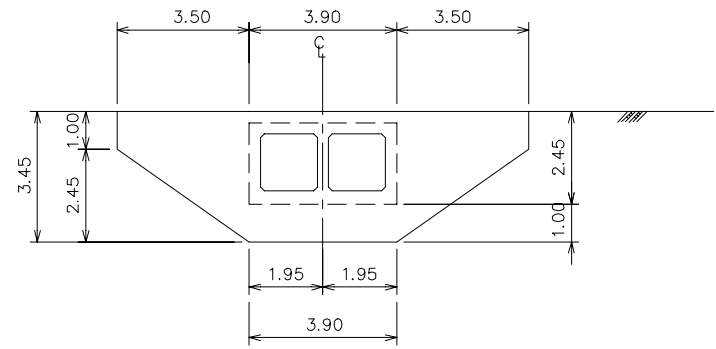
Japan International Cooperation Agency (JICA)	THE STUDY ON THE REHABILITATION AND RECONSTRUCTION OF AGRICULTURAL PRODUCTION SYSTEM IN THE SLAKOU RIVER BASIN	Title of Drawing	DATE Jan. 2002
	THE KINGDOM OF CAMBODIA	Upper Slakou River Irrigation Reconstruction Plan Turnup Lok Reservoir; Intake Structure for Tertiary Canal	DRAWING NO. 14 of 62



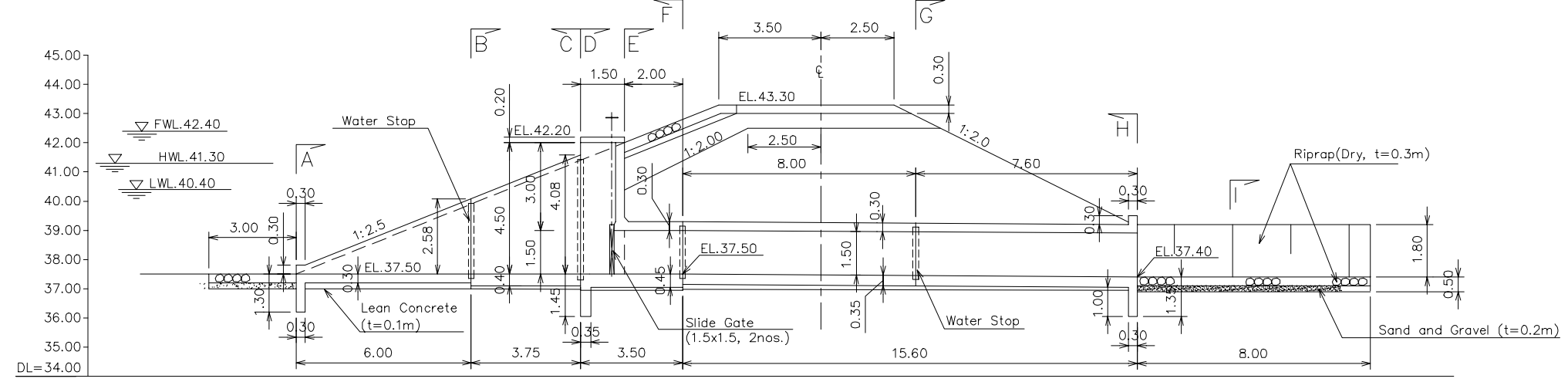
PLAN



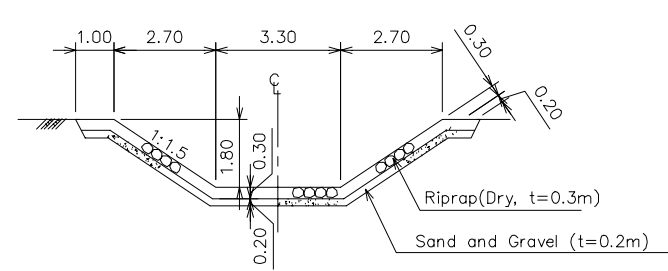
SECTION G-G



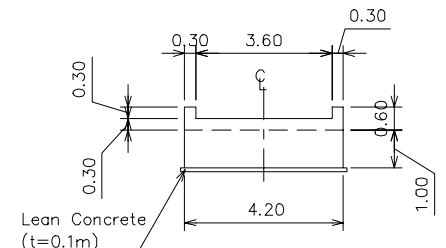
SECTION H-H



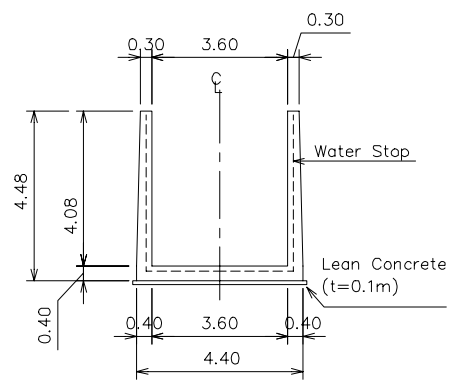
PROFILE



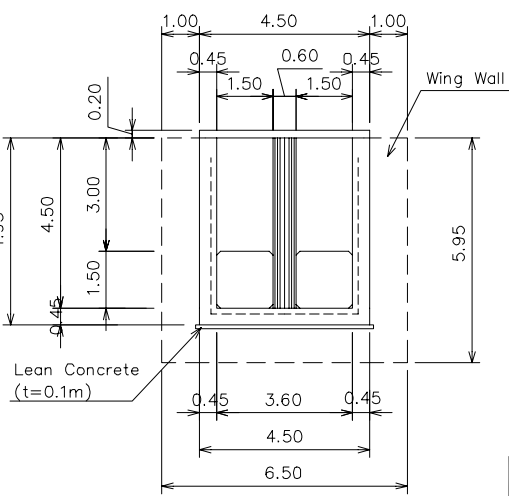
SECTION I-I



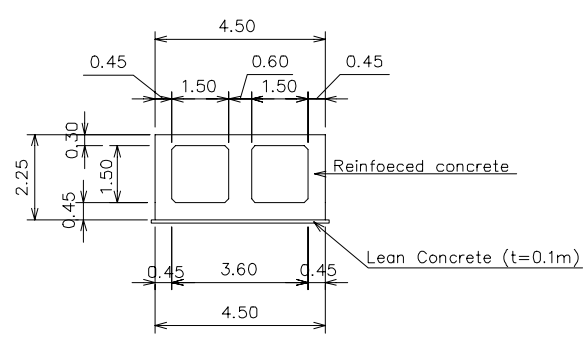
SECTION A-A



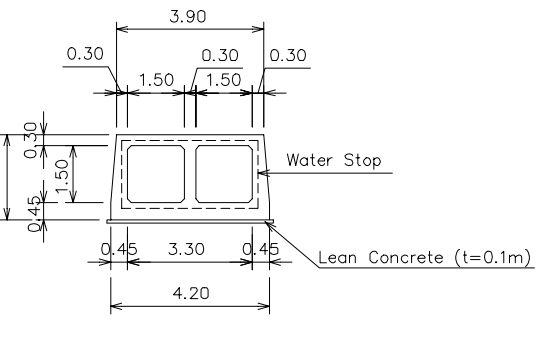
SECTION C-C



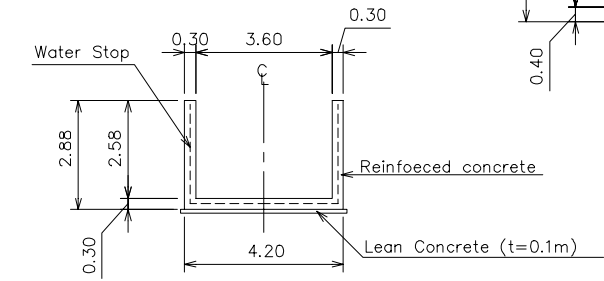
SECTION D-D



SECTION E-E



SECTION F-F

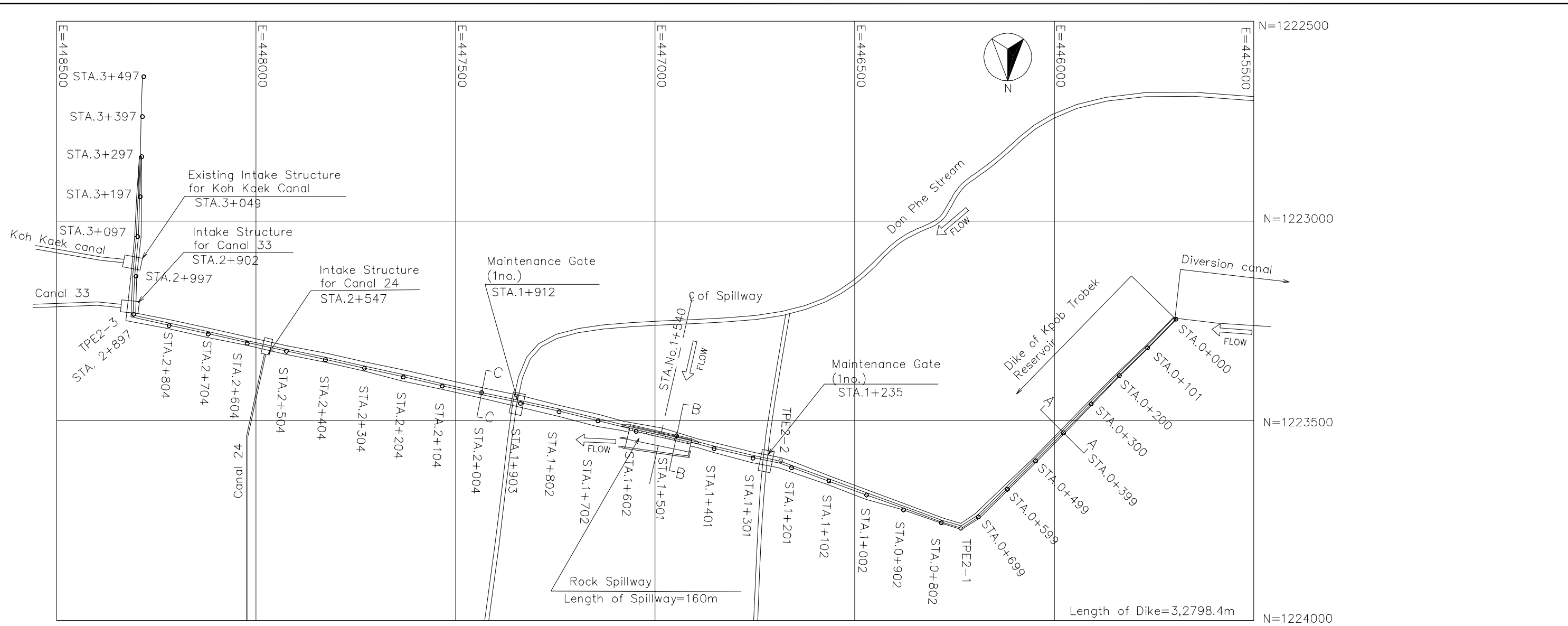


SECTION B-B

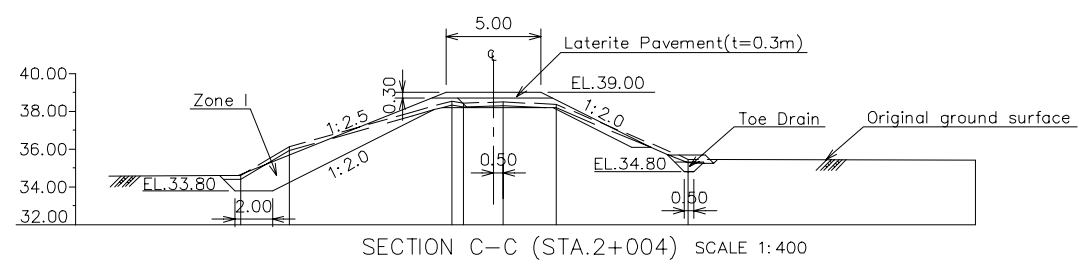
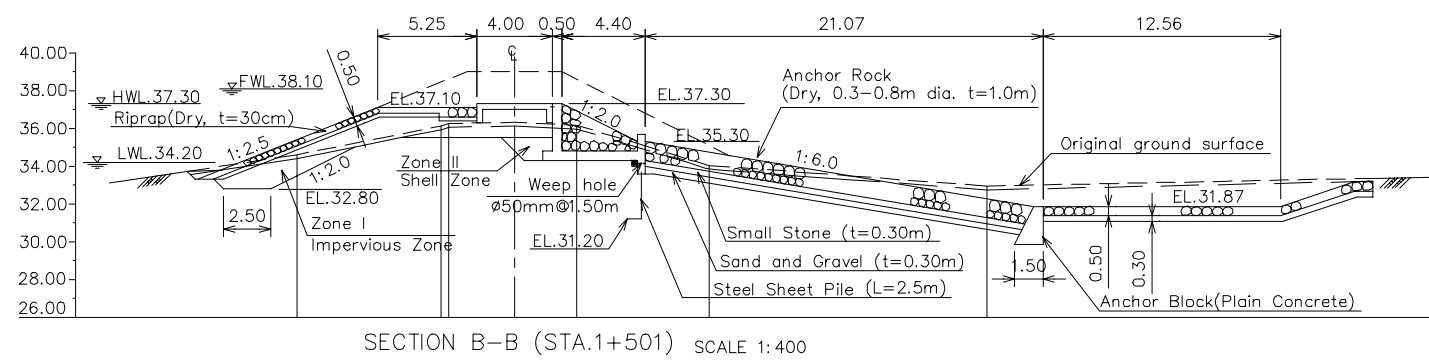
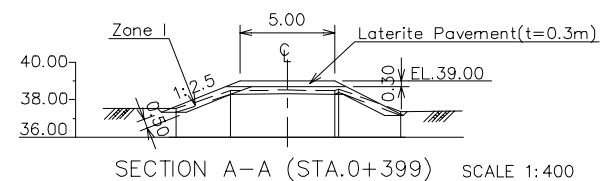


SCALE 1:200

Japan International Cooperation Agency (JICA)	THE STUDY ON THE REHABILITATION AND RECONSTRUCTION OF AGRICULTURAL PRODUCTION SYSTEM IN THE SLAKOU RIVER BASIN	Title of Drawing	DATE Jan. 2002
	THE KINGDOM OF CAMBODIA	Upper Slakou River Irrigation Reconstruction Plan Turnup Lok Reservoir; <b>Maintenance Gate</b>	DRAWING NO. 15 of 62



PLAN  
 SCALE 1:10,000



SCALE 1:400

Note ; Zone I (Impervious Zone); Mixed Soil Material of Laterite, Clayey Gravel and Excavated Soil at Reservoir Area  
 Zone II (Shell Zone); Excavated Soil at Reservoir Area (CL, SC, SM)

Japan International Cooperation Agency (JICA)	THE STUDY ON THE REHABILITATION AND RECONSTRUCTION OF AGRICULTURAL PRODUCTION SYSTEM IN THE SLAKOU RIVER BASIN	Title of Drawing Upper Slakou River Irrigation Reconstruction Plan Kpob Trobek Reservoir;	DATE Jan. 2002
	THE KINGDOM OF CAMBODIA	<b>General Plan</b>	DRAWING NO. 16 of 62