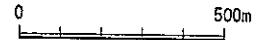
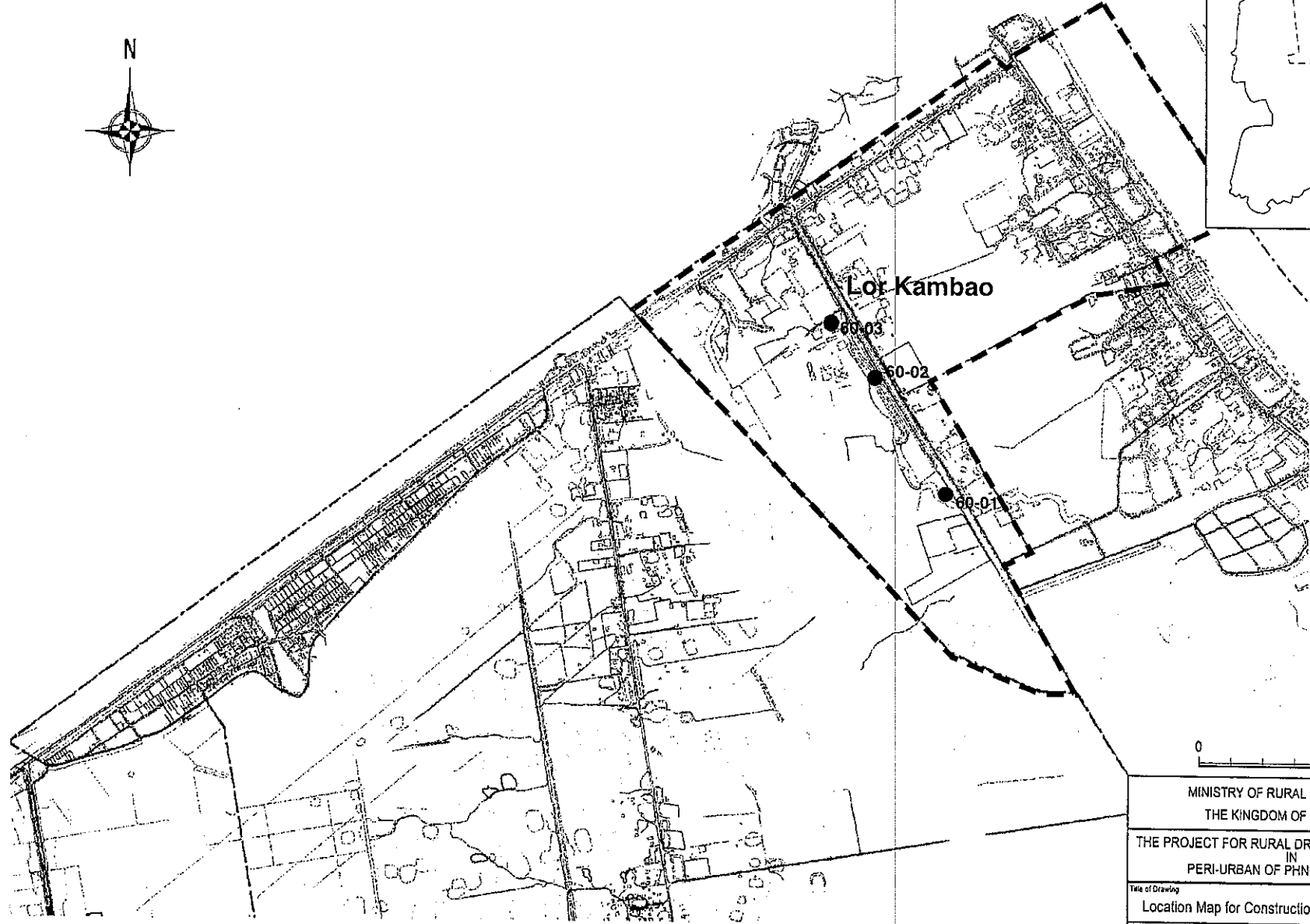


PHNOM PENH



MINISTRY OF RURAL DEVELOPMENT  
THE KINGDOM OF CAMBODIA

THE PROJECT FOR RURAL DRINKING WATER SUPPLY  
IN  
PERI-URBAN OF PHNOM PENH CITY

Title of Drawing  
Location Map for Construction of New Wells (20/20)

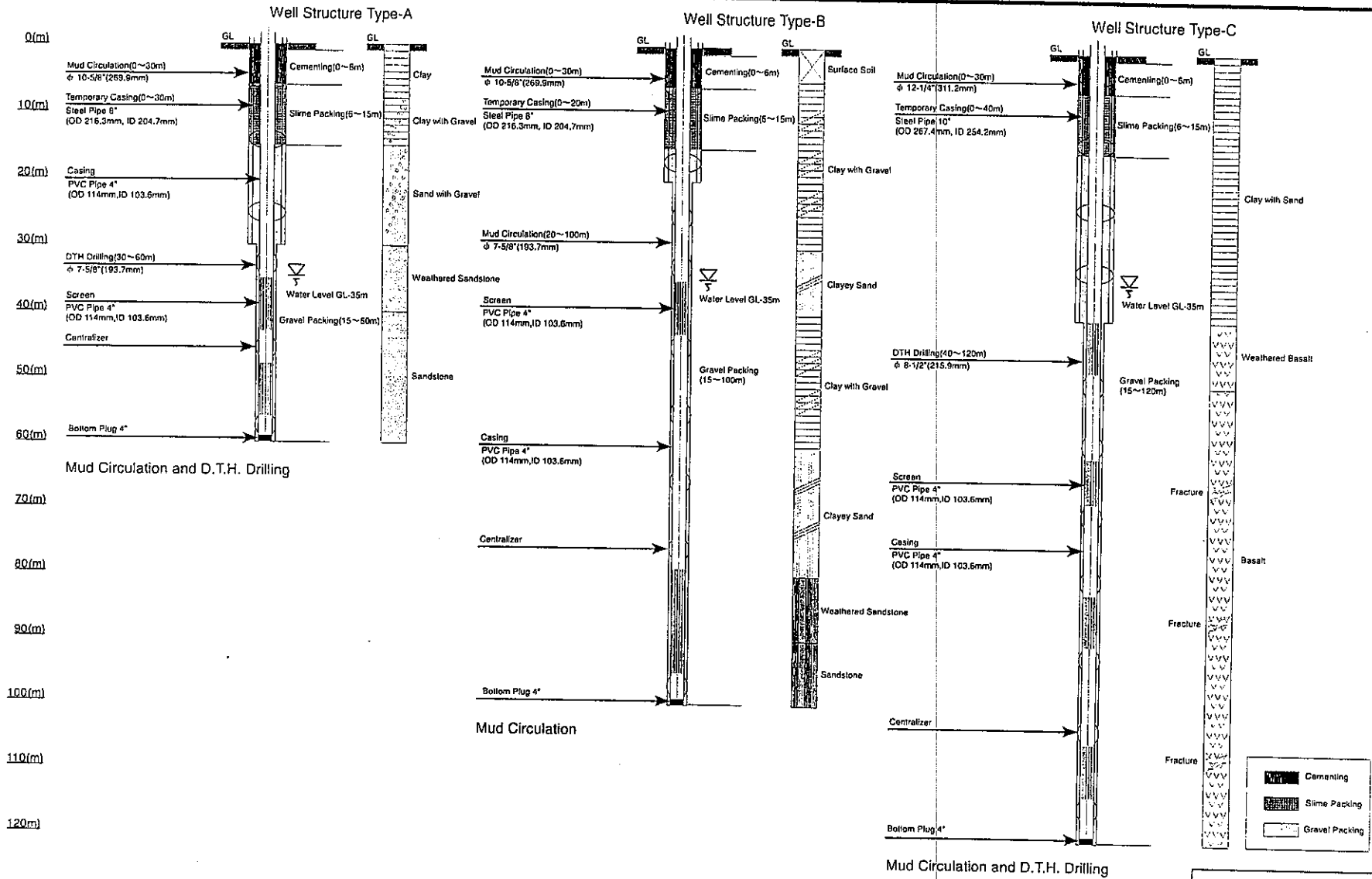


Scale

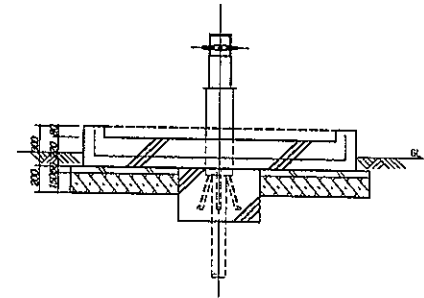
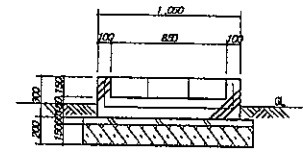
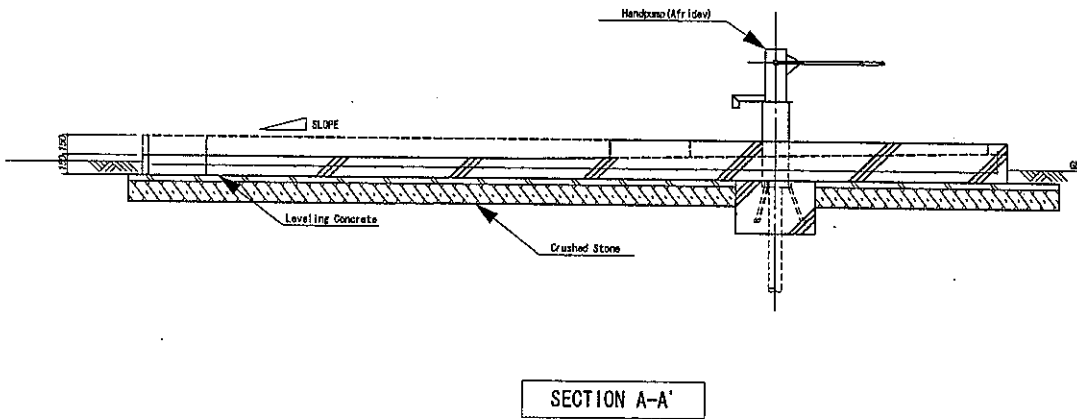
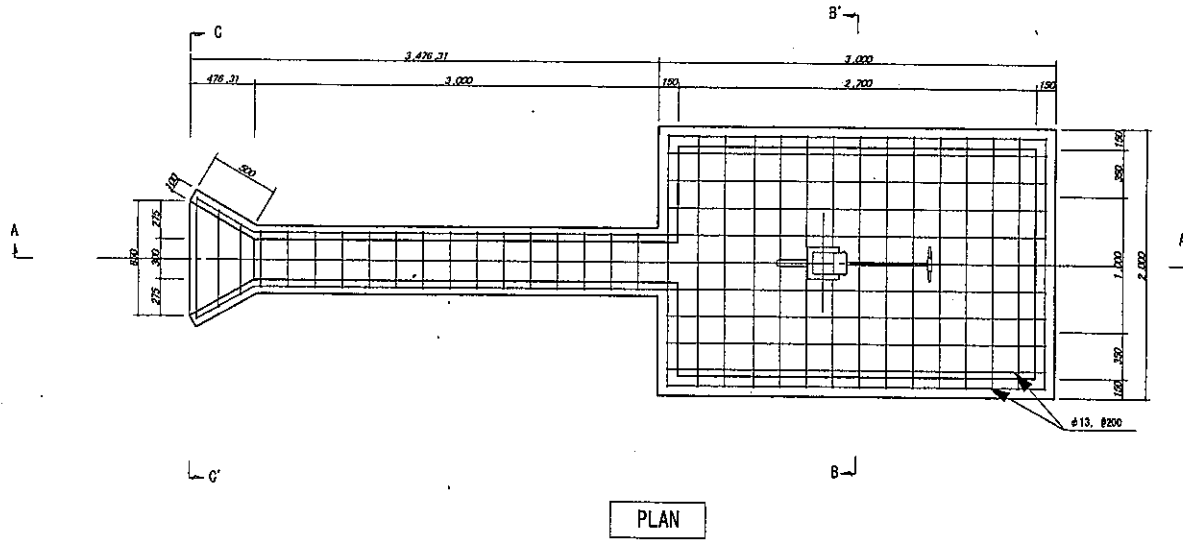
Drawing No.:

21

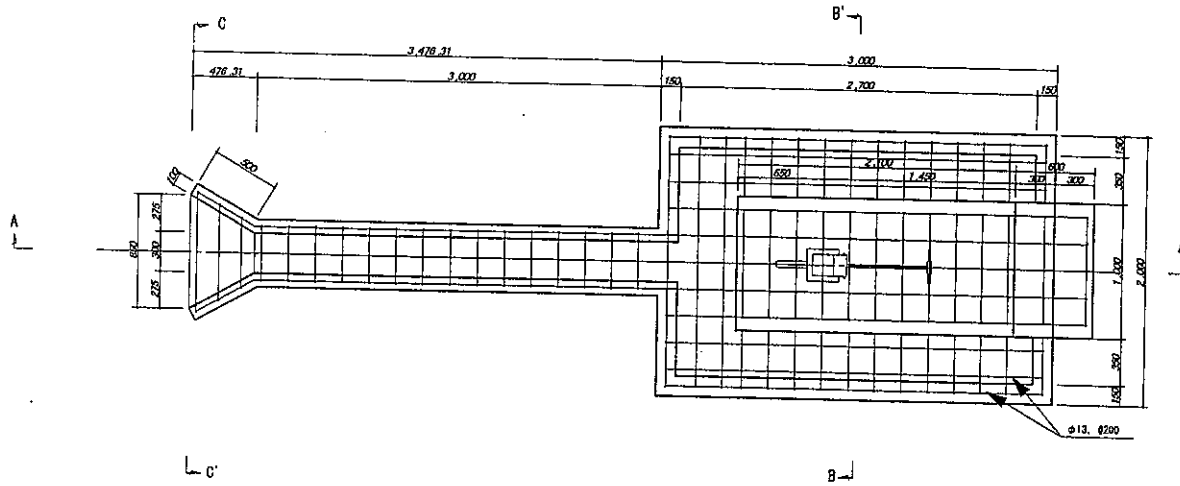
PACIFIC  
CONSULTANTS  
INTERNATIONAL  
TOKYO, JAPAN



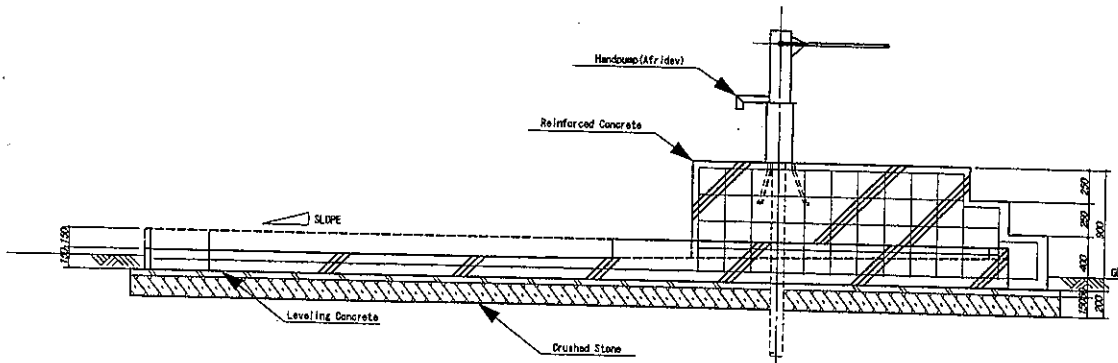
MINISTRY OF RURAL DEVELOPMENT THE KINGDOM OF CAMBODIA		
THE PROJECT FOR RURAL DRINKING WATER SUPPLY IN PERI-URBAN OF PHNOM PENH CITY		
Title of Drawing Standard Well Structure		
 PACIFIC CONSULTANTS INTERNATIONAL TOKYO, JAPAN	Scale	Drawing No.:
		22



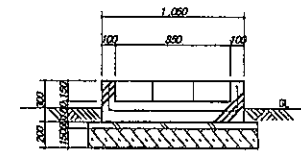
MINISTRY OF RURAL DEVELOPMENT THE KINGDOM OF CAMBODIA		
THE PROJECT FOR RURAL DRINKING WATER SUPPLY IN PERI-URBAN OF PHNOM PENH CITY		
Title of Drawing Hand Pump Platform / Standard Type		
 PACIFIC CONSULTANTS INTERNATIONAL TOKYO, JAPAN	Scale 1/40	Drawing No. 23



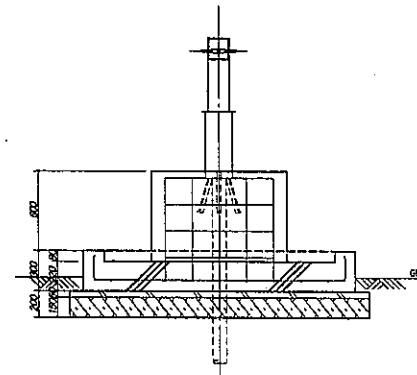
PLAN




SECTION A-A'

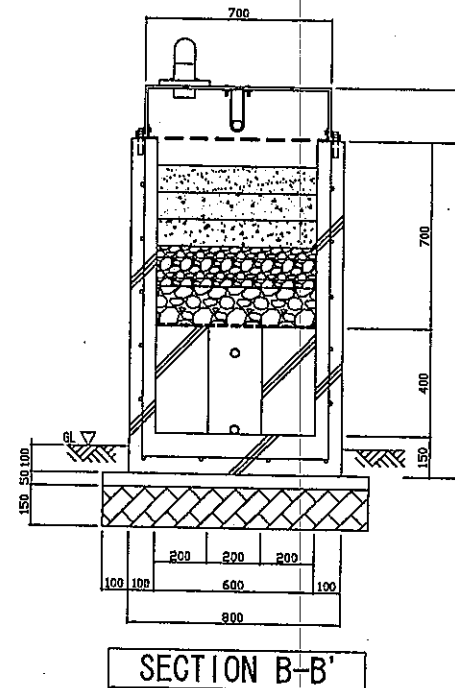
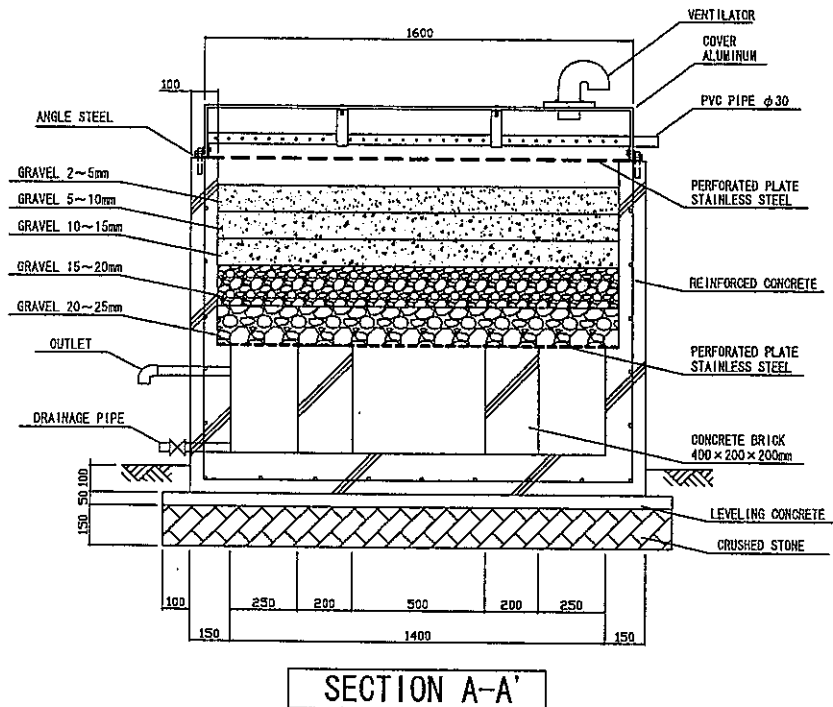
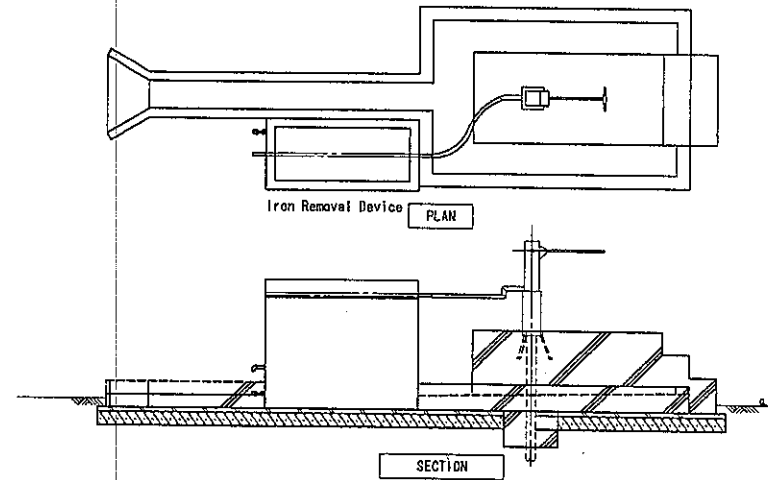
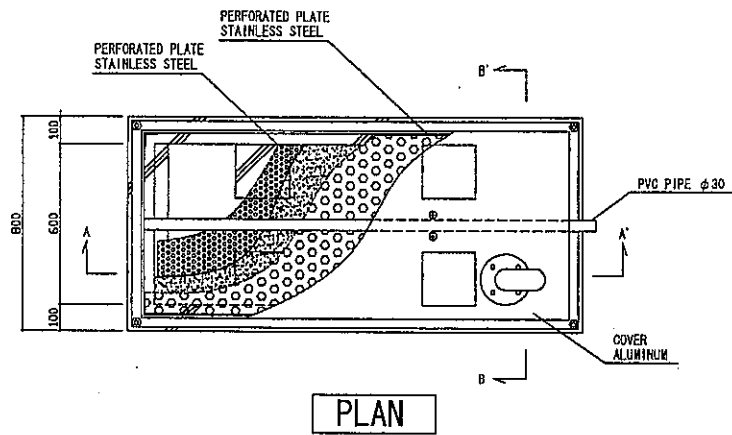



SECTION C-C'



SECTION B-B'

MINISTRY OF RURAL DEVELOPMENT THE KINGDOM OF CAMBODIA		
THE PROJECT FOR RURAL DRINKING WATER SUPPLY IN PERI-URBAN OF PHNOM PENH CITY		
Title of Drawing Hand Pump Platform / Flood Area Type		
 PACIFIC CONSULTANTS INTERNATIONAL TOKYO, JAPAN	Scale 1/40	Drawing No. 24



MINISTRY OF RURAL DEVELOPMENT THE KINGDOM OF CAMBODIA		
THE PROJECT FOR RURAL DRINKING WATER SUPPLY IN PERI-URBAN OF PHNOM PENH CITY		
Title of Drawing Iron Removal Device		
 PACIFIC CONSULTANTS INTERNATIONAL TOKYO, JAPAN	Scale 1/20	Drawing No. 25

***Annex 11***  
***References***

## Annex 11: References

No.	Title	Page No.	Issued by
1	General Population Census of Cambodia 1998, Final Census Results	299	National Institute of Statistics, Ministry of Planning
2	General Population Census of Cambodia 1998, Census Tables at National Level Cambodia	744	National Institute of Statistics, Ministry of Planning
3	General Population Census of Cambodia 1998, Village Gazetteer	343	National Institute of Statistics, Ministry of Planning
4	Plan of Operations, 1996-2000 A Programme for Children and Women in Cambodia	137	UNICEF
5	Towards a Better Future, An Analysis of the Situation of Children and Women in Cambodia	188	UNICEF
6	Investing in Children, MASTER PLAN OF OPERATIONS of Royal Government of Cambodia/UNICEF, Country Programme of Cooperation 2001 - 2005	172	UNICEF
7	UNICEF Follow-up SURVEY OF HOUSE HOLDS IN CASD VILLAGES MAY-JUNE 2000	132	UNICEF
8	Phnom Penh Water Supply Autonomous, Reports of the Result for 2000	44	Phnom Penh Water Supply Authority
9	Report on Water Supply to the Poor in Phnom Penh for the First Six Months of Year 2001, August 2001	59	Phnom Penh Water Supply Authority
10	The Study on Groundwater Development in Southern Cambodia, Draft Final Report (I), Summary Report, July 1999	100	JICA
11	The Study on Groundwater Development in Southern Cambodia, Draft Final Report (II), Main Report, September 1999	246	JICA
12	The Study on Groundwater Development in Southern Cambodia, Draft Final Report (I), Supporting Report (2/2), July 1999	482	JICA
13	The Study on Groundwater Development in Southern Cambodia, Draft Final Report (II), Supporting Report (2/2), September 1999	478	JICA
14	Russei Keo District Map, 1:15,000	1	Phnom Penh Cadastre Office
15	Mean Chey District Map, 1:15,000	1	Phnom Penh Cadastre Office
16	Dangkao District Map, 1:15,000	1	Phnom Penh Cadastre Office
17	Organization Chart - Government of Cambodia	1	DRWS
18	Organization Chart of DRWS	1	DRWS
19	Five Years Plan for Rural Water Supply Program, 2001 - 2005	1	DRWS
20	Aerial Photographs of Peri-Urban Area	60	Cambodia National Mekong Committee
21	National Health Statistics Report	53	Ministry of Health
22	Second Five Year Socioeconomic Development Plan 2001-2005	253	Ministry of Planning