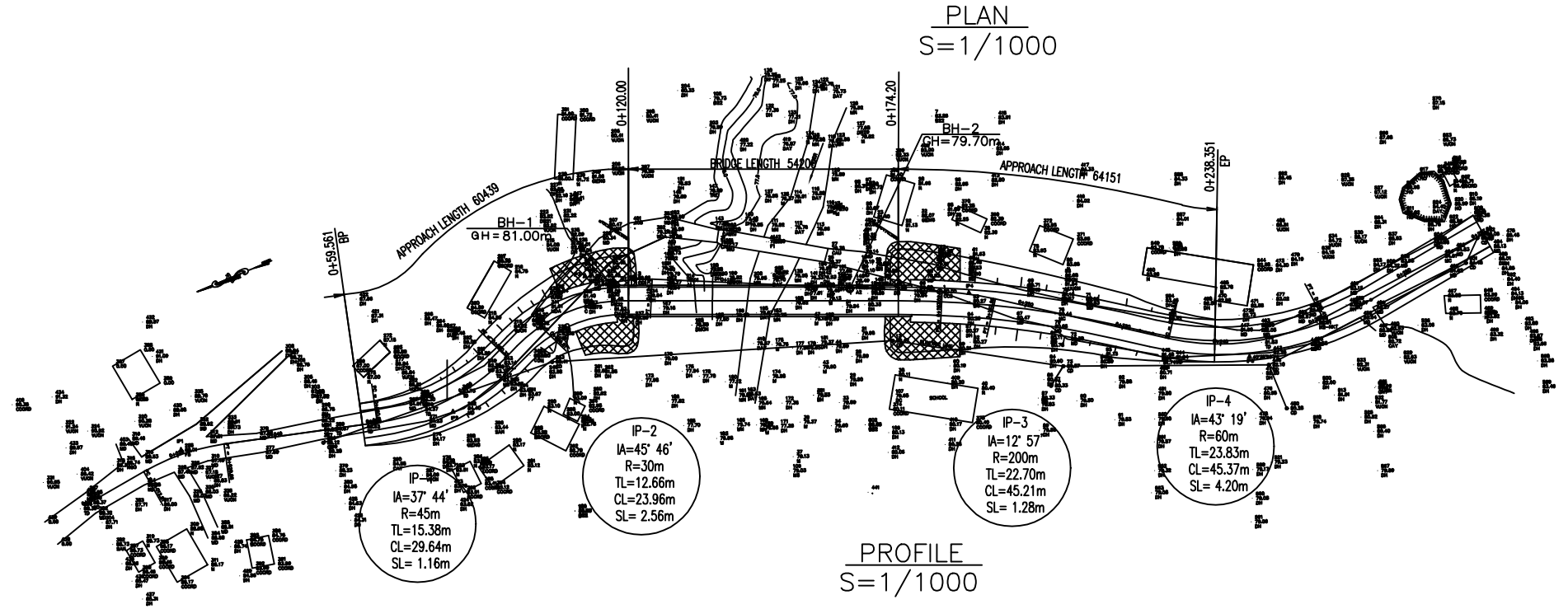


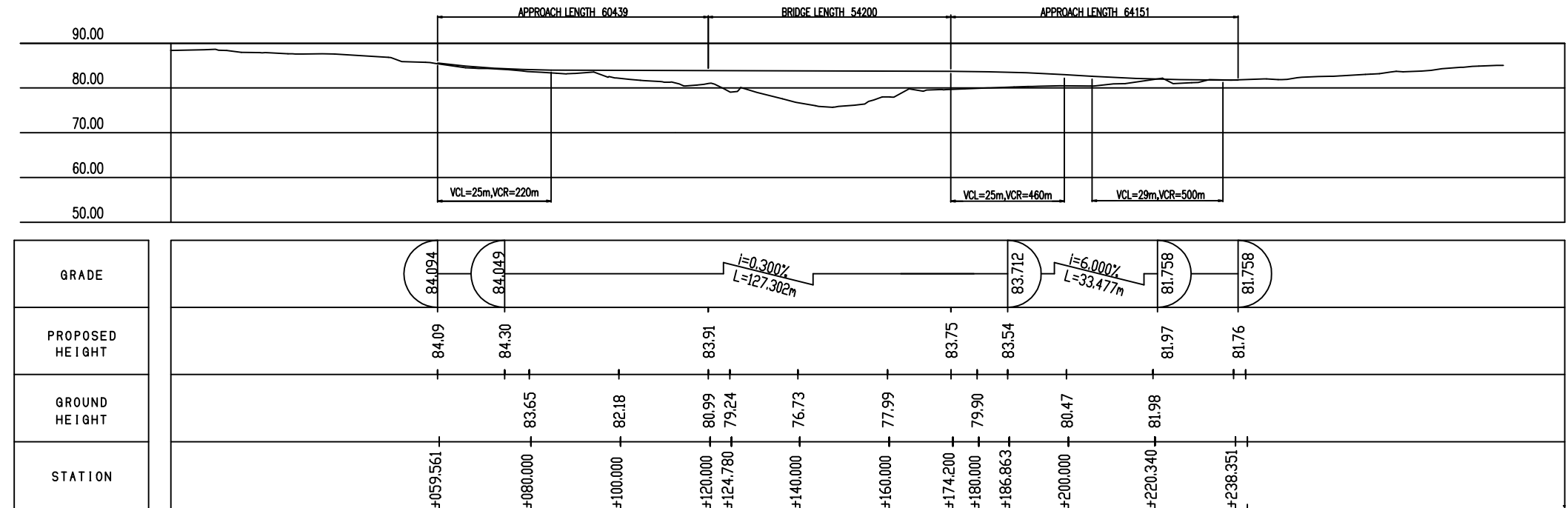
THE GOVERNMENT OF SOCIALIST REPUBLIC OF VIETNAM PROJECTS MANAGEMENT UNIT NO.18, MINISTRY OF TRANSPORTS			
PROJECT	THE PROJECT FOR RECONSTRUCTION OF BRIDGES IN THE CENTRAL AREA OF VIETNAM		
CONSULTANT	CONSORTIUM OF PACIFIC CONSULTANTS INTERNATIONAL AND ORIGINAL CONSULTANTS		
DESIGNED BY	CHECKED BY	APPROVED BY	
NAME	Y.FURUKAWA	H.HO	DZUNG
SIGNATURE			
DATE			

BR.NO.22 PA NHO
GENERAL VIEW OF THE SITE

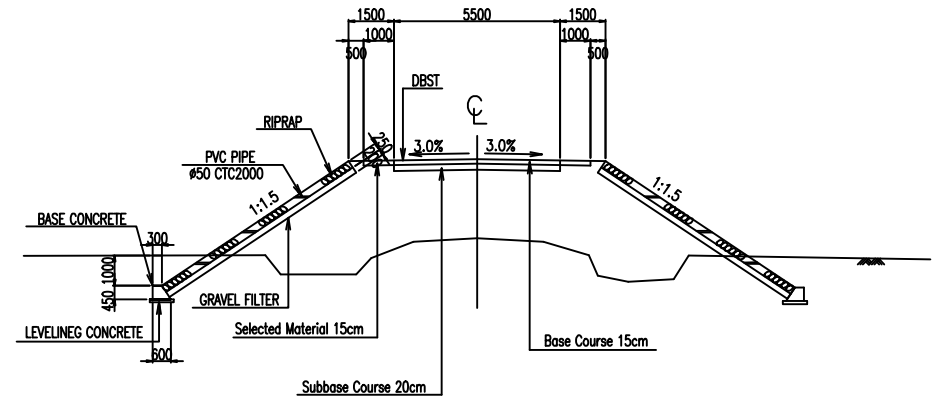
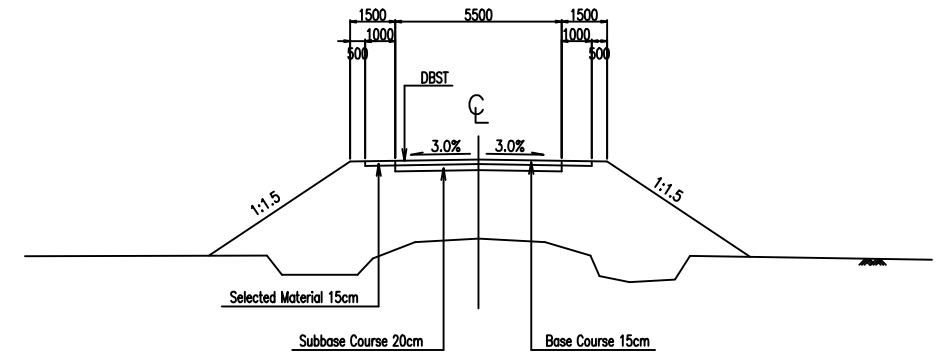
SECTION	SCALE	DRAWING NO.	SHEET NO.
	1/200, 1/1000	B-22-	1 OF 1
DRAWING TITLE	ROAD PLANNING (BR.NO.22 PA NHO)		
REV. NO.	DATE	DESCRIPTION	SIGNATURE



PROFILE
S=1/1000



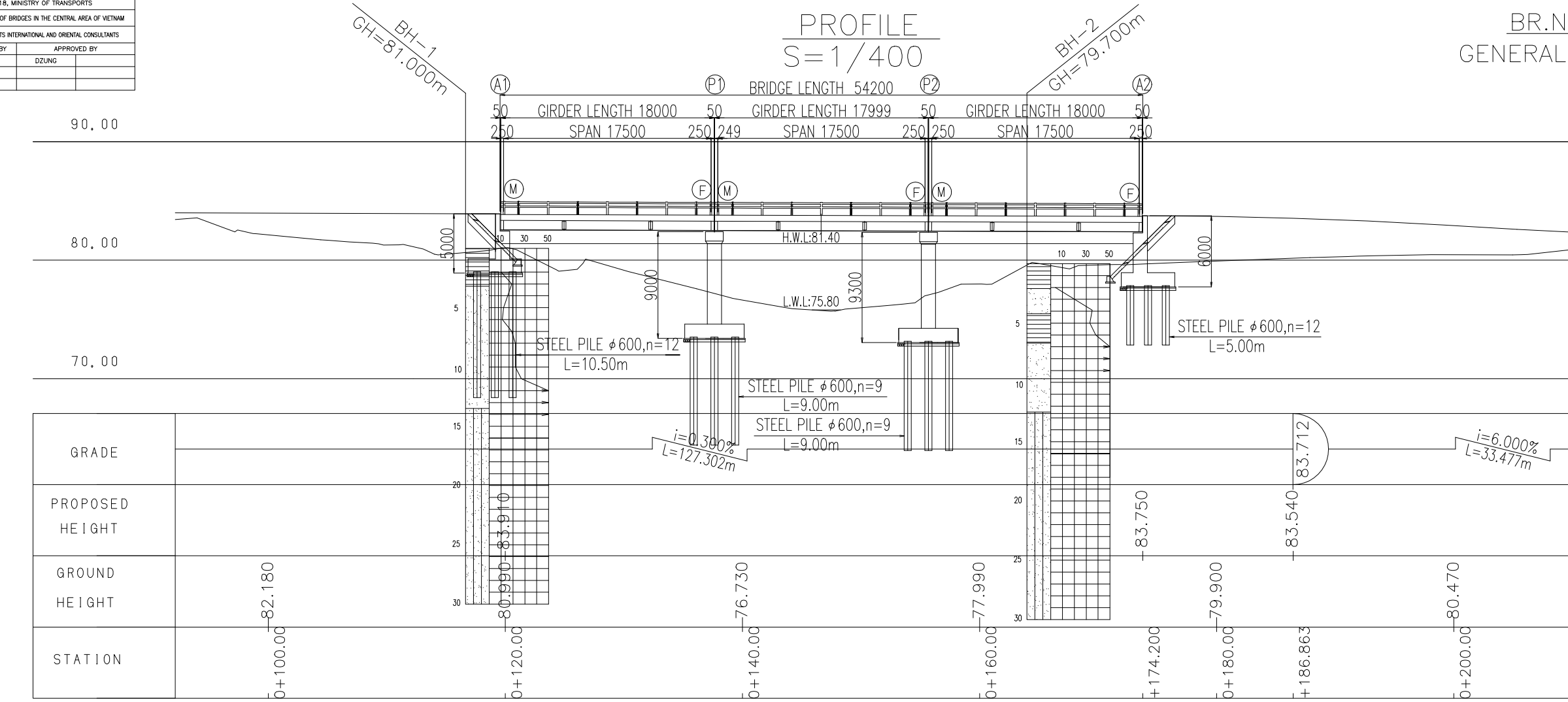
TYPICAL CROSS SECTION OF APPROACH ROAD
S=1/200



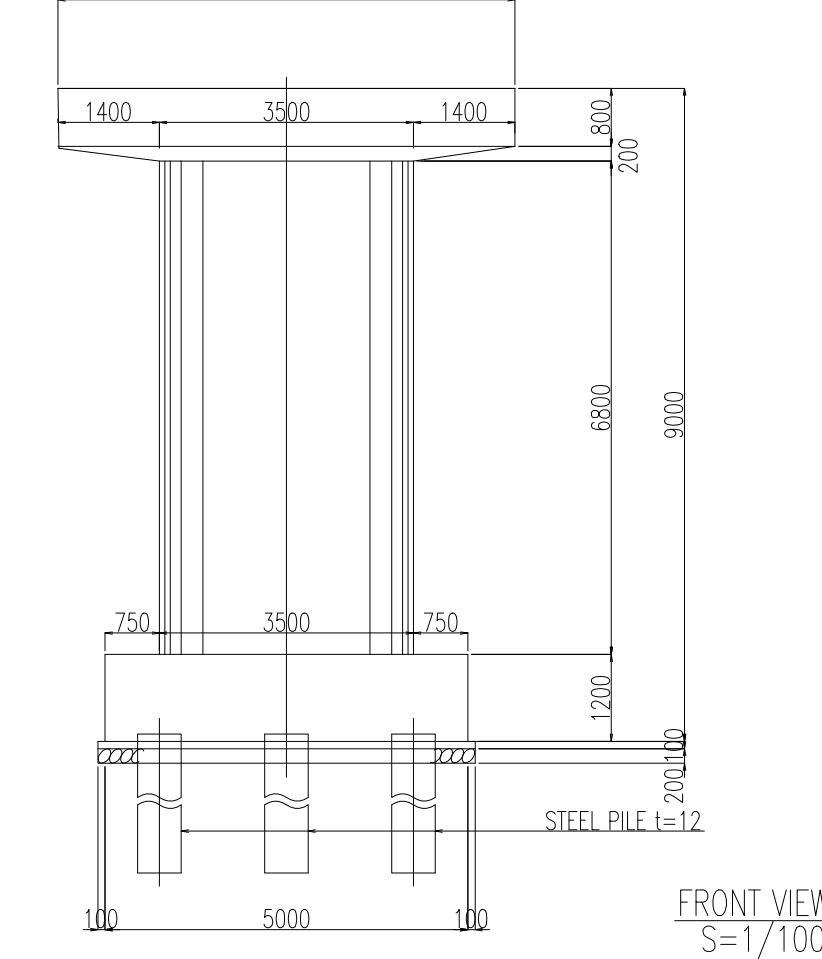
THE GOVERNMENT OF SOCIALIST REPUBLIC OF VIETNAM PROJECTS MANAGEMENT UNIT NO.18, MINISTRY OF TRANSPORTS			
PROJECT	THE PROJECT FOR RECONSTRUCTION OF BRIDGES IN THE CENTRAL AREA OF VIETNAM		
CONSULTANT	CONSORTIUM OF PACIFIC CONSULTANTS INTERNATIONAL AND OTHER CONSULTANTS		
DESIGNED BY	CHECKED BY	APPROVED BY	
Y.FURUKAWA	H.ENDO	D.ZUNG	
SIGNATURE			
DATE			

PROFILE
S=1/400

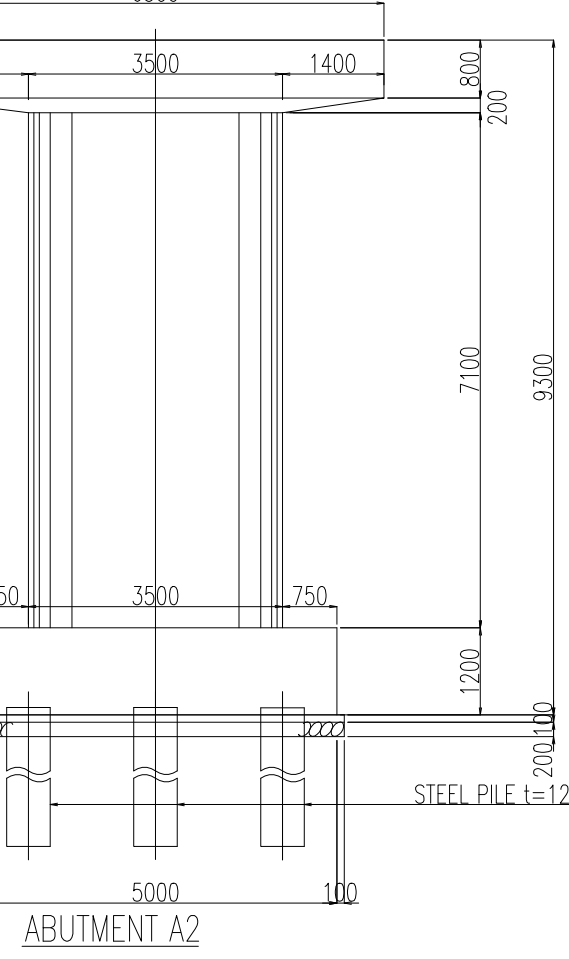
BR.NO.22 PA NHO
GENERAL VIEW OF THE BRIDGE



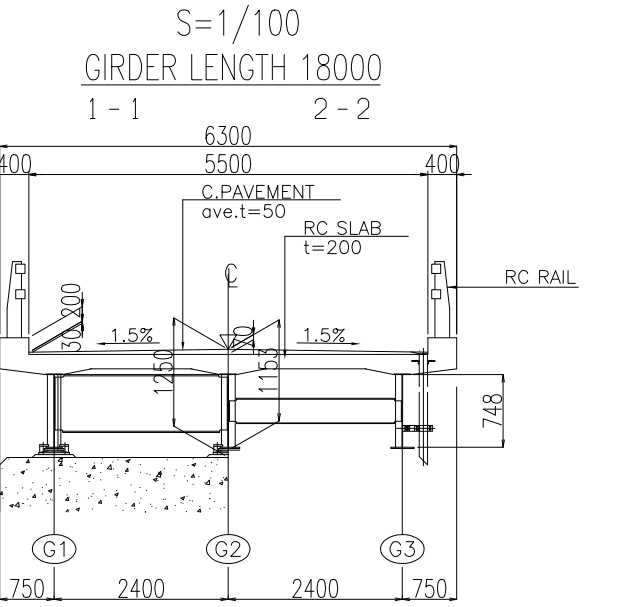
PIER P1
FRONT VIEW
S=1/100



PIER P2
FRONT VIEW
S=1/100

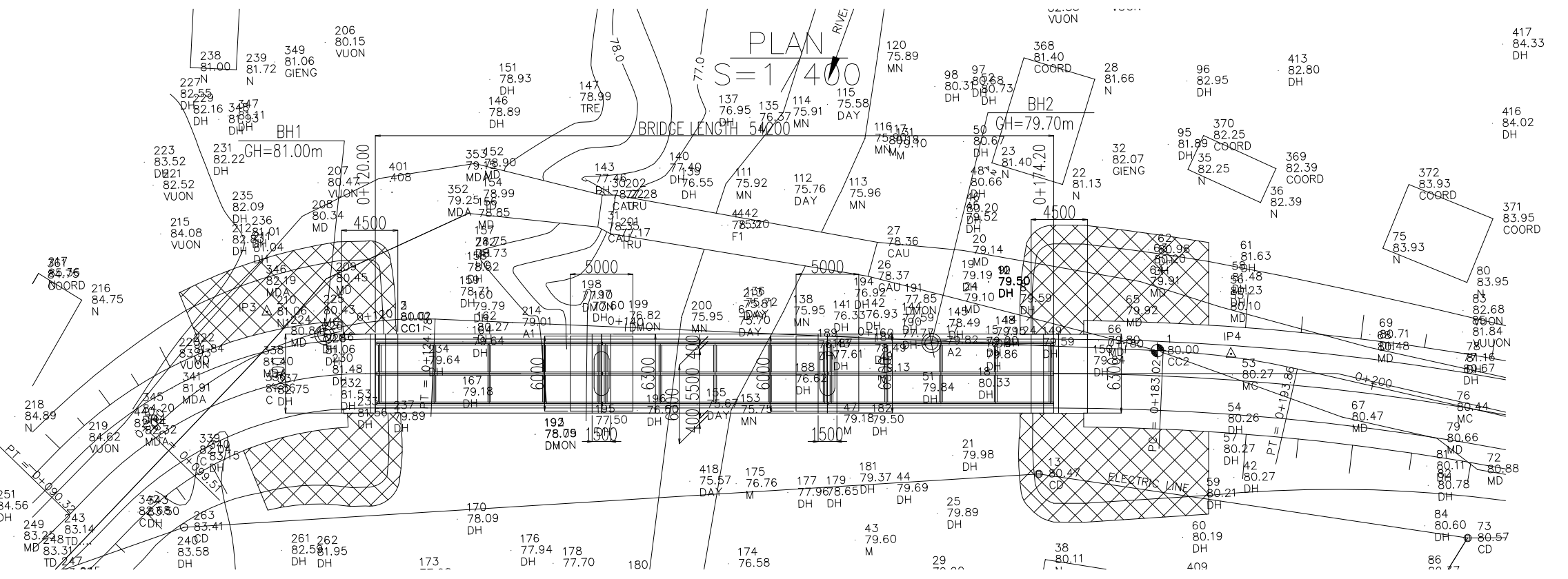


CROSS SECTION FOR PC GIRDER

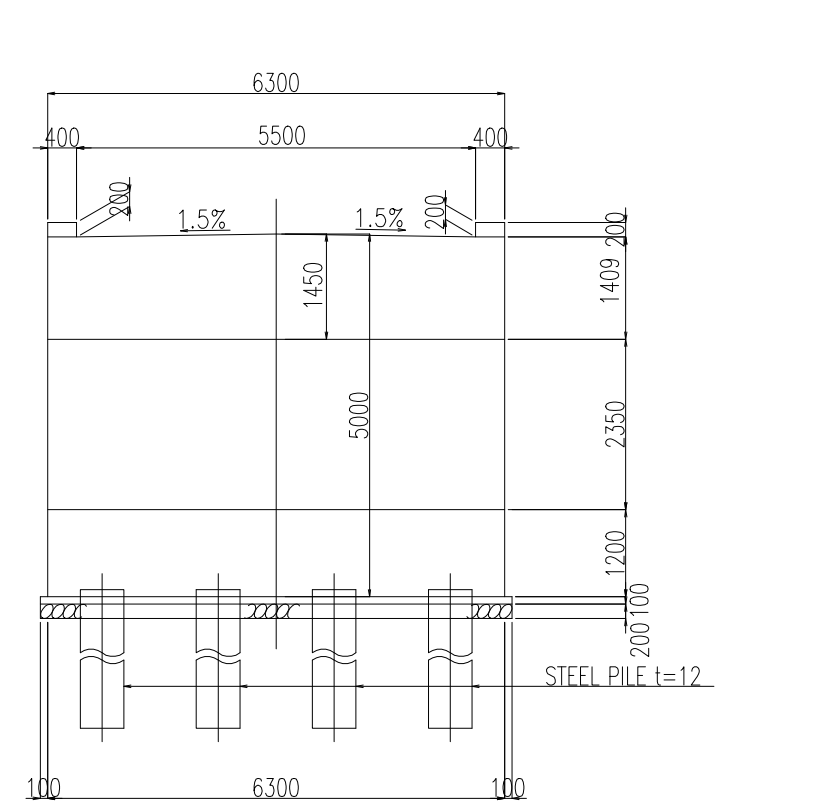


DESIGN CRITERIA

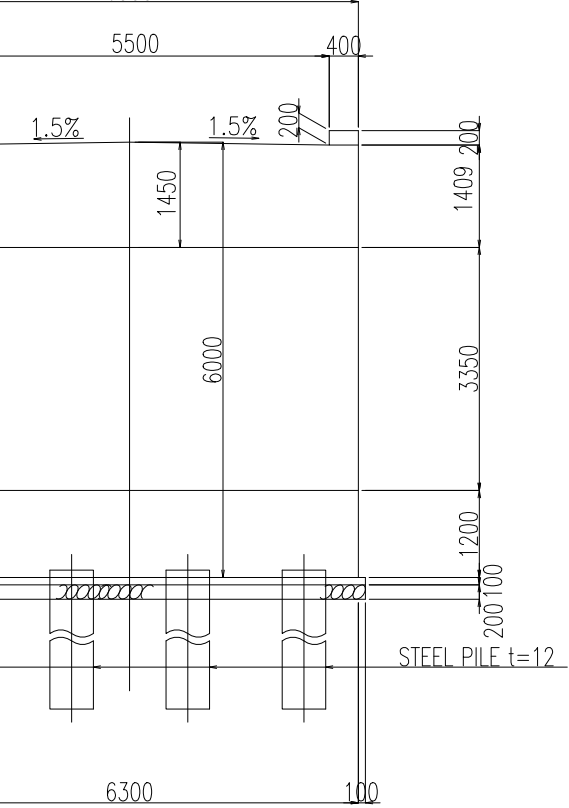
General Condition		
Design Live Load	H13.X60	
Design Speed	V=25km/h	
Bridge Length(Span Length)	54.20m(17.50m+17.5m)	
Free Board	1.0m	
Longitudinal Gradient	0.3%	
Cross-fall of Carriage way	1.50%	
Super Structure Type	Steel	
Sub Structure Type	Abutment	Reinforced Concrete
	Pier	Reinforced Concrete
Foundation Type	Abutment	Steel Pile # 600
	Pier	Steel Pile # 600
Material Strength		
Super Structure Type	Girder	SM490Y
	Cross Beam	SM490Y
Surface	Slab	σ28=30N/mm²
	Curb,Handrail	σ28=21N/mm²
Sub Structure Type	Pier	σ28=21N/mm²
	Reinforcing Steel	SD295(py=295N/mm²)



ABUTMENT A1
FRONT VIEW
S=1/100



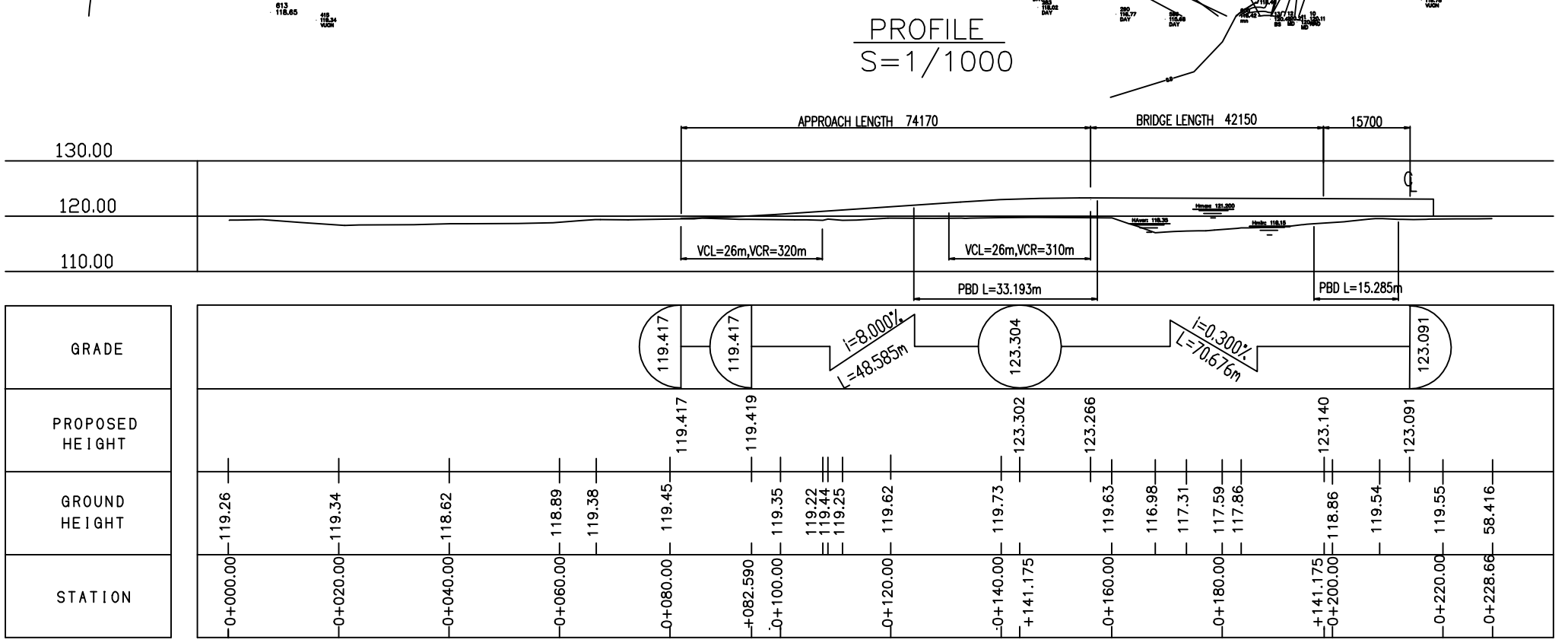
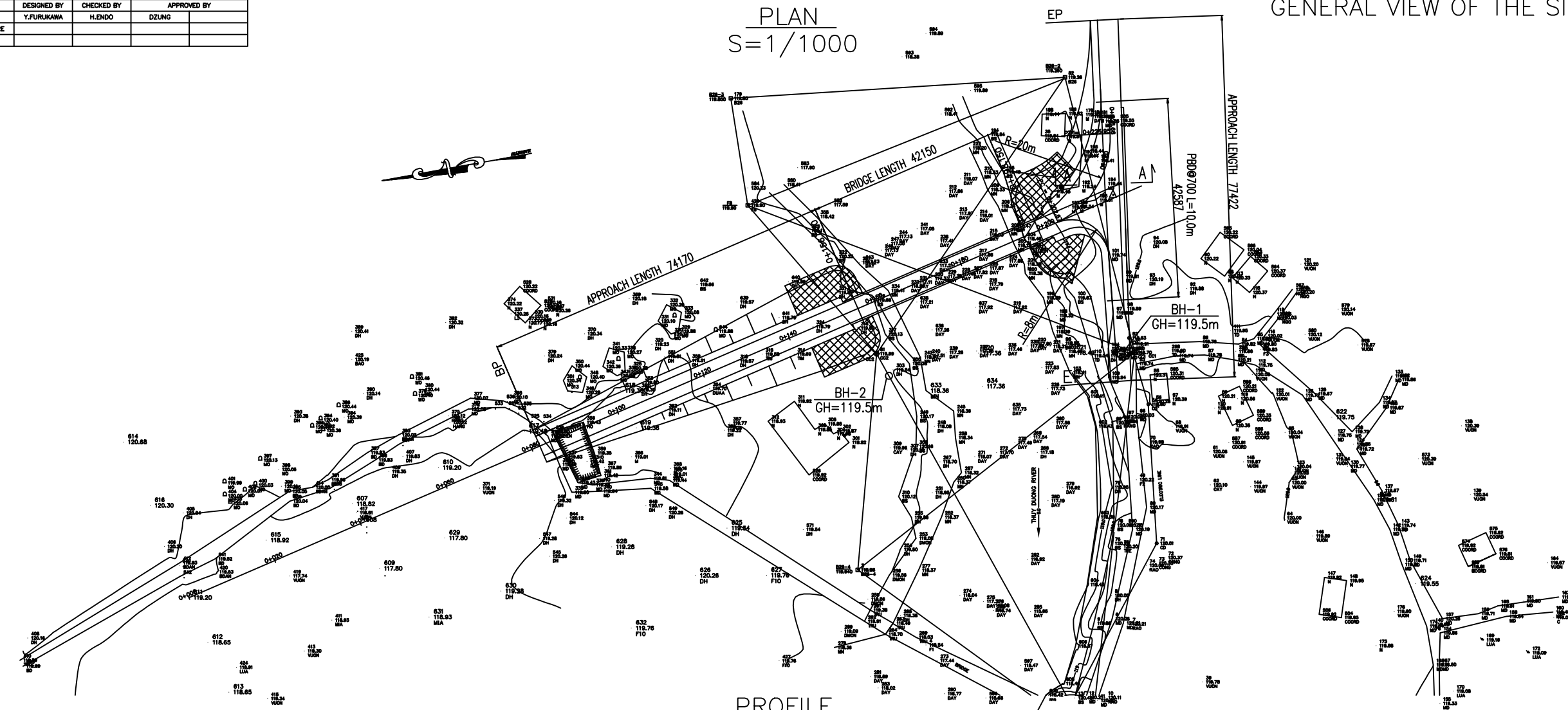
ABUTMENT A2
FRONT VIEW
S=1/100



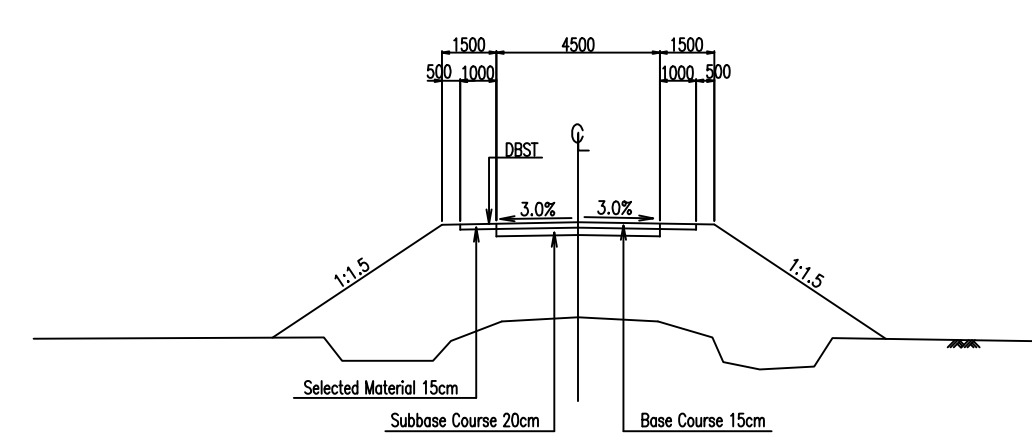
THE GOVERNMENT OF SOCIALIST REPUBLIC OF VIETNAM PROJECTS MANAGEMENT UNIT NO.18, MINISTRY OF TRANSPORTS			
PROJECT	THE PROJECT FOR RECONSTRUCTION OF BRIDGES IN THE CENTRAL AREA OF VIETNAM		
CONSULTANT	CONSORTIUM OF PACIFIC CONSULTANTS INTERNATIONAL AND ORIENTAL CONSULTANTS		
DESIGNED BY	Y.FURUKAWA	CHECKED BY	H.ENDO
APPROVED BY			D.ZUNG
NAME			
SIGNATURE			
DATE			

BR.NO.26 KHE DUONG
GENERAL VIEW OF THE SITE

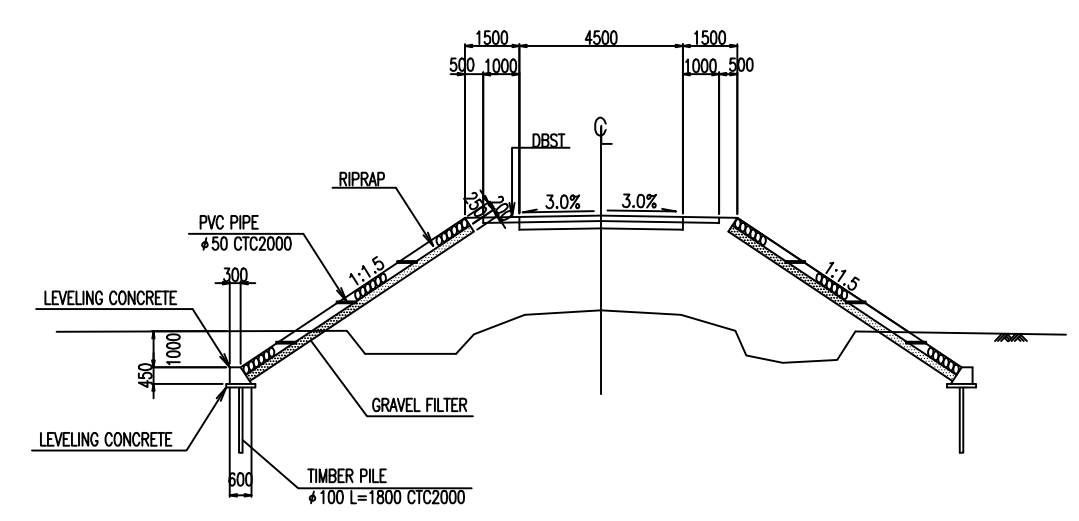
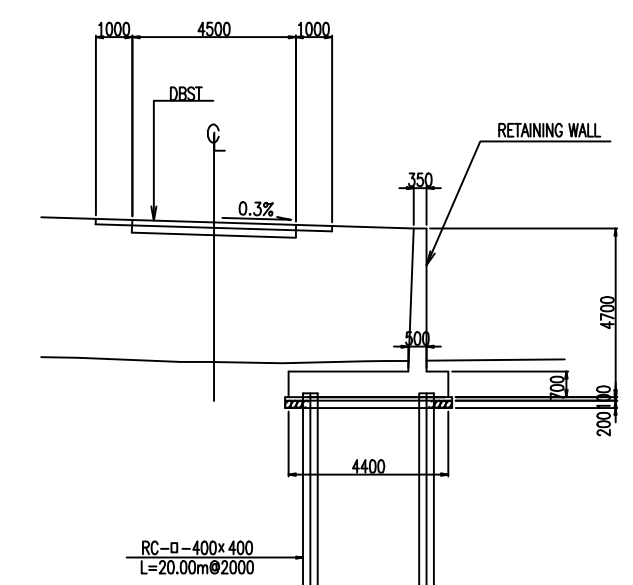
SECTION	SCALE	DRAWING NO.	SHEET NO.
	1/200, 1/1000	B/26	1 OF 1
DRAWING TITLE	ROAD PLANNING (BR.NO.26 KHE DUONG)		
REV.NO.	DATE	DESCRIPTION	SIGNATURE



TYPICAL CROSS SECTION OF APPROACH ROAD
S=1/200

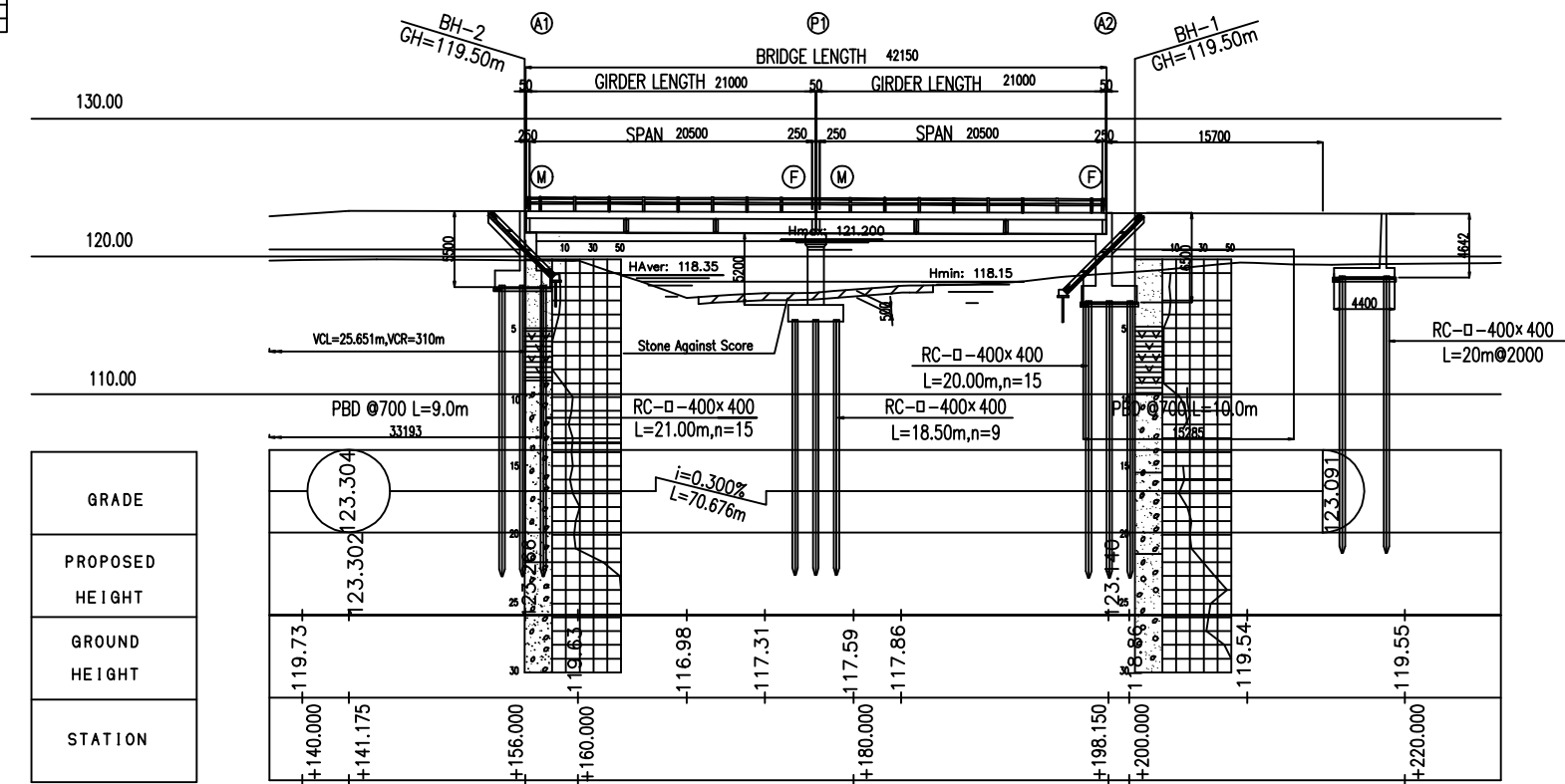


A - A
S=1/200



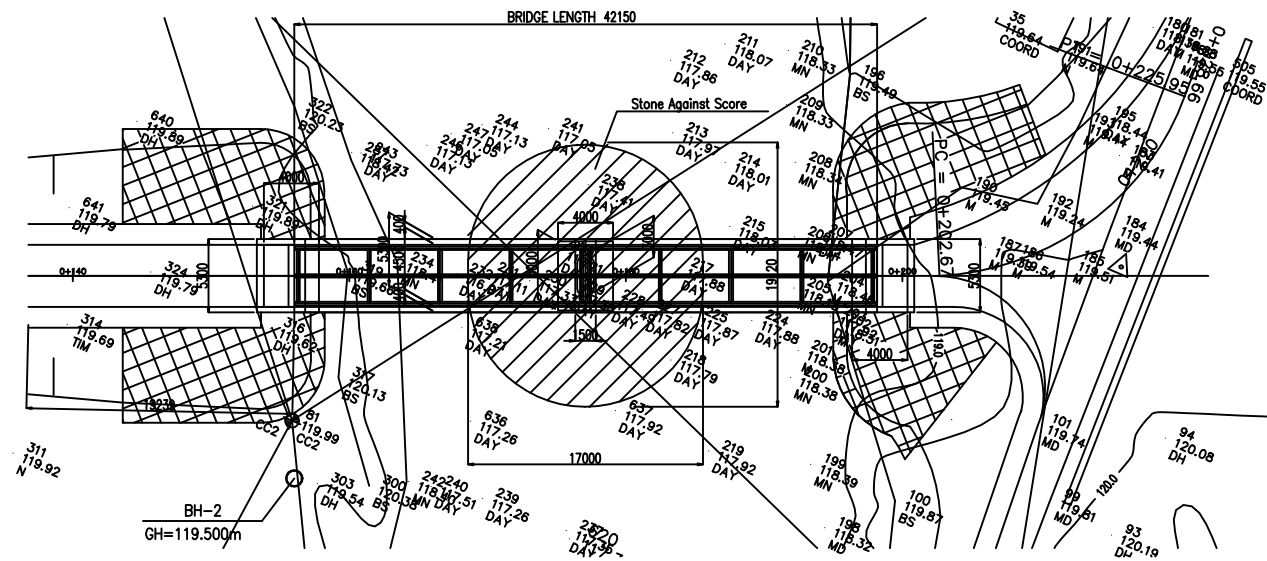
THE GOVERNMENT OF SOCIALIST REPUBLIC OF VIETNAM PROJECTS MANAGEMENT UNIT NO.18, MINISTRY OF TRANSPORTS			
PROJECT	THE PROJECT FOR RECONSTRUCTION OF BRIDGES IN THE CENTRAL AREA OF VIETNAM		
CONSULTANT	CONSORTIUM OF PACIFIC CONSULTANTS INTERNATIONAL AND ORIGINAL CONSULTANTS		
DESIGNED BY	CHECKED BY	APPROVED BY	
NAME	Y.FUJIKAWA	H.BENDO	D.DANG
SIGNATURE			
DATE			

PROFILE
S=1/400



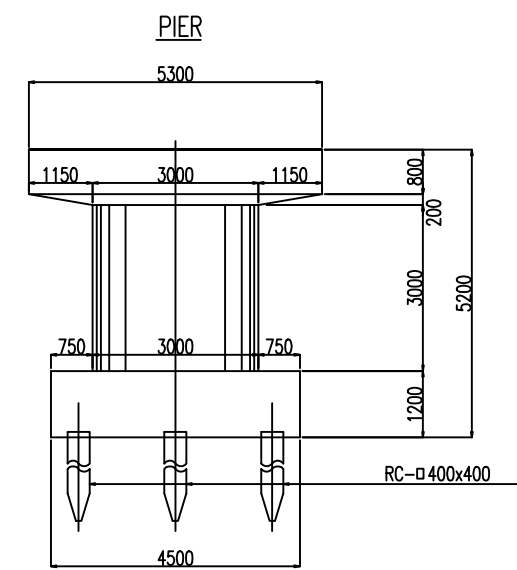
GRADE	
PROPOSED HEIGHT	
GROUND HEIGHT	
STATION	

PLAN
S=1/400

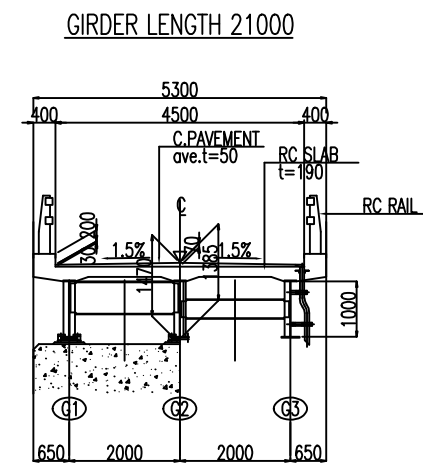


BR.NO.26 KHE DUONG
GENERAL VIEW OF THE BRIDGE

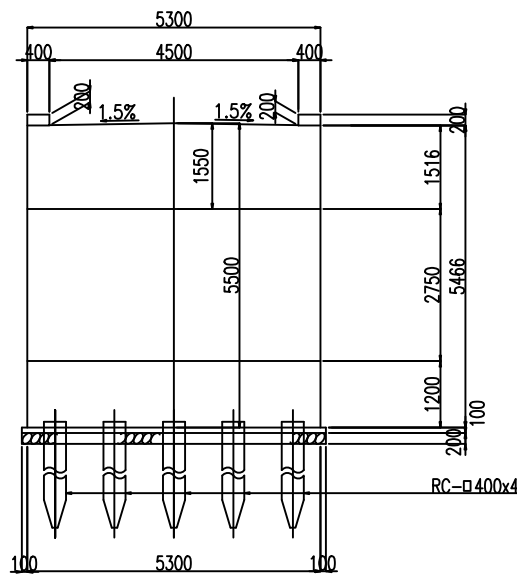
FRONT VIEW
S=1/100



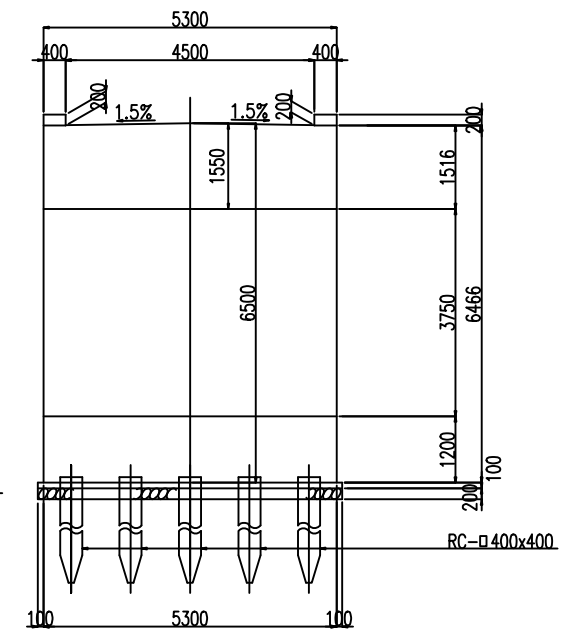
CROSS SECTION FOR STEEL GIRDER
S=1/100



FRONT VIEW
S=1/100



ABUTMENT A2



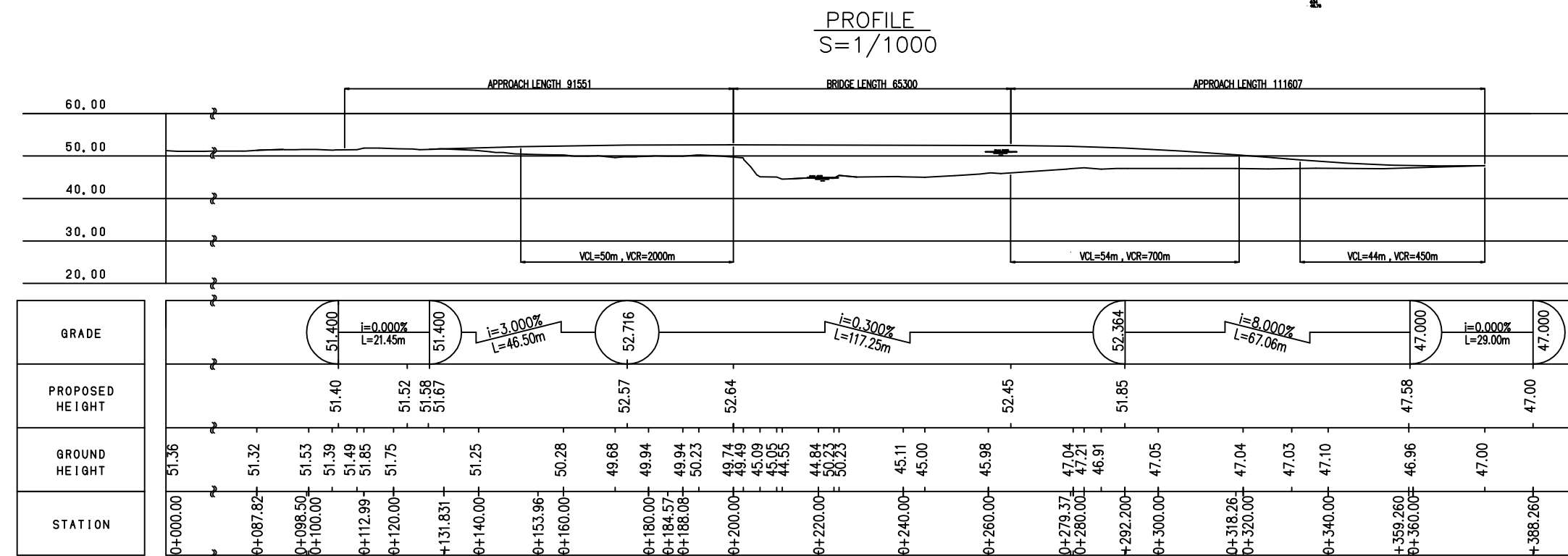
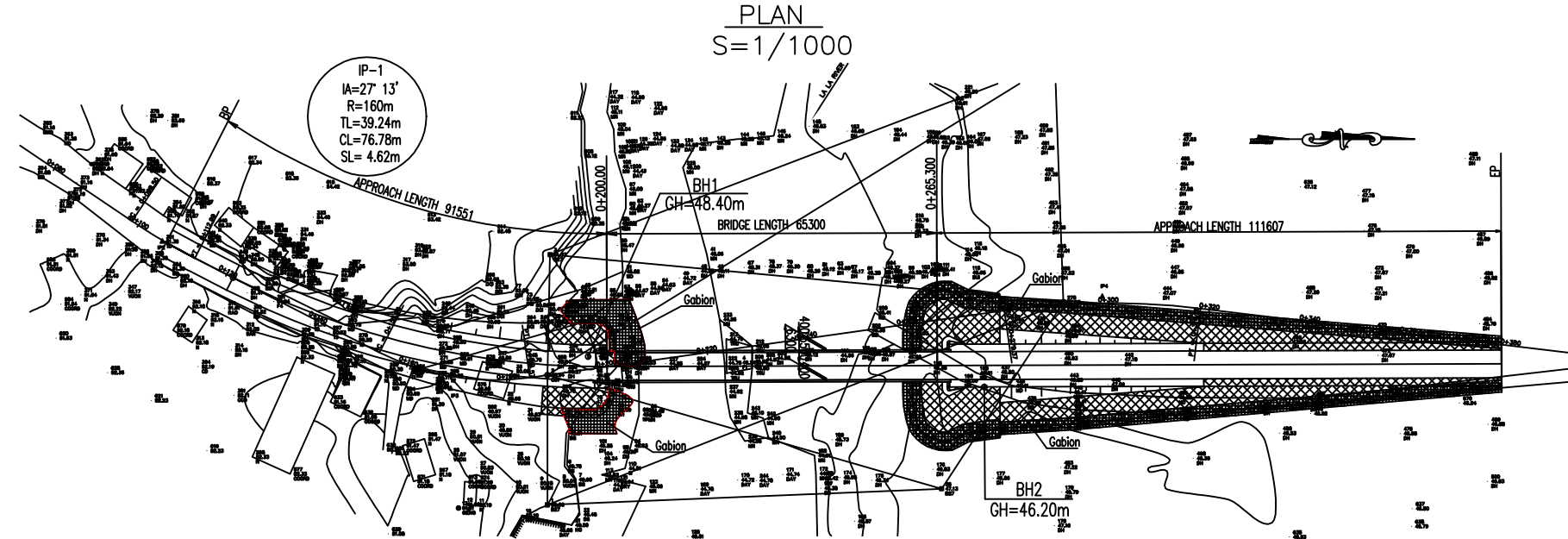
DESIGN CRITERIA

General Condition		
Design Live Load	H13.X60	
Design Speed	V=25km/h	
Bridge Length(Span Length)	42.15m(20.50m+20.50m)	
Free Board	0.5m	
Longitudinal Gradient	0.3%	
Cross-fall of Carriage way	1.50%	
Super Structure Type	Steel	
Sub Structure Type	Abutment	Reinforced Concrete
	Pier	Reinforced Concrete
Foundation Type	Abutment	Rc Pile 400x400
	Pier	Rc Pile 400x400
Material Strength		
Super Structure Type	Girder	SM490Y
	Cross Beam	SM490Y
	Slab	#28=30N/mm ²
Surface	Curb,Handrail	#28=21N/mm ²
Sub Structure Type		#28=21N/mm ²
Reinforcing Steel		SD295(py=295N/mm ²)

THE GOVERNMENT OF SOCIALIST REPUBLIC OF VIETNAM PROJECTS MANAGEMENT UNIT NO.16, MINISTRY OF TRANSPORTS			
PROJECT	THE PROJECT FOR RECONSTRUCTION OF BRIDGES IN THE CENTRAL AREA OF VIETNAM		
CONSULTANT	CONSORCIUM OF PACIFIC CONSULTANTS INTERNATIONAL AND CENTRAL CONSULTANTS		
DESIGNED BY	CHECKED BY	APPROVED BY	
NAME	Y.PHUKHUA	LENGO	COANG
SIGNATURE			
DATE			

BR.NO.27 HOI DUONG
GENERAL VIEW OF THE SITE

SECTION	SCALE	DRAWING NO.	SHEET NO.
	1/200, 1/1000	B27-	1 OF 1
DRAWING TITLE	ROAD PLANNING (BR.NO.27 HOI DUONG)		
REV. NO.	DATE	DESCRIPTION	SIGNATURE



TYPICAL CROSS SECTION OF APPROACH ROAD
S=1/200

