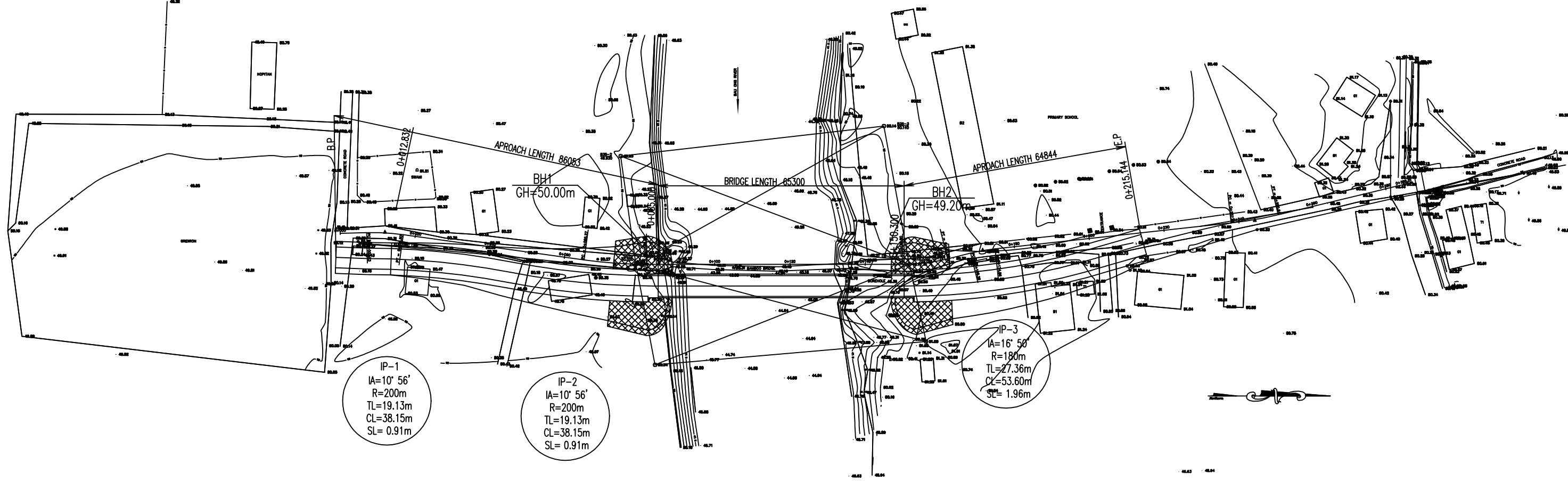


THE GOVERNMENT OF SOCIALIST REPUBLIC OF VIETNAM PROJECTS MANAGEMENT UNIT NO.18, MINISTRY OF TRANSPORTS			
PROJECT	THE PROJECT FOR RECONSTRUCTION OF BRIDGES IN THE CENTRAL AREA OF VIETNAM		
CONSULTANT	CONSORTIUM OF PACIFIC CONSULTANTS INTERNATIONAL AND OREKON CONSULTANTS		
DESIGNED BY	CHECKED BY	APPROVED BY	
NAME Y.FURUKAWA	HLENGO	DZUNG	
SIGNATURE			
DATE			

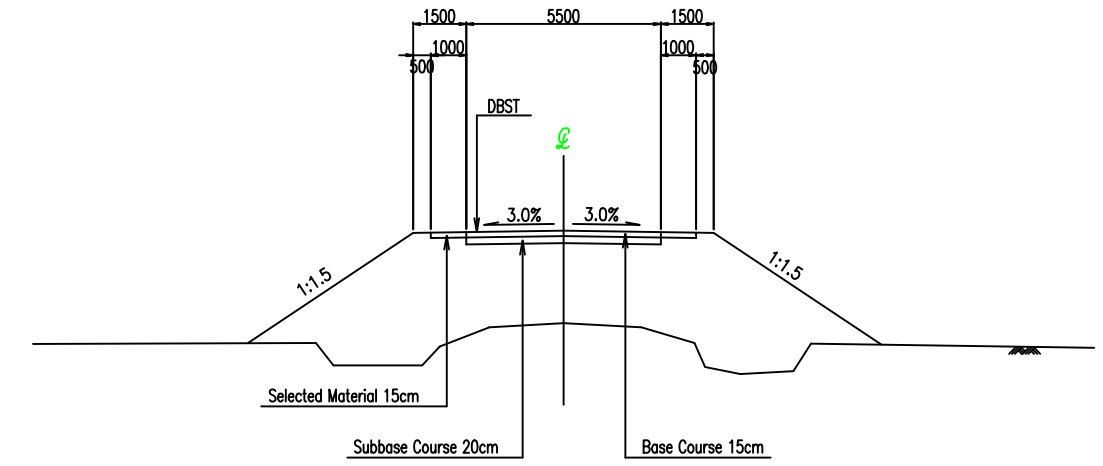
BR.NO.35 DAI LOI
GENERAL VIEW OF THE SITE

PLAN
S=1/1000

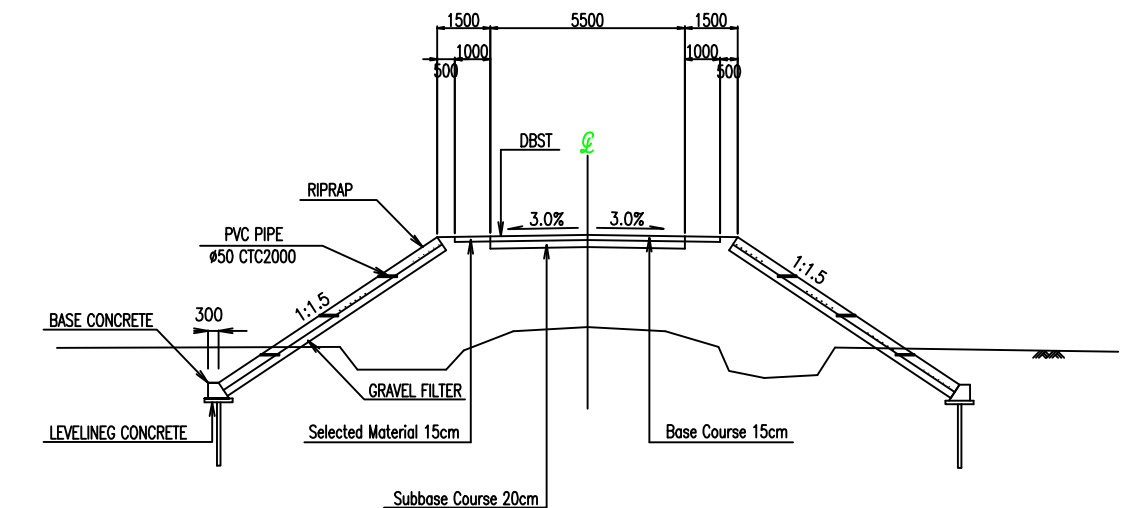
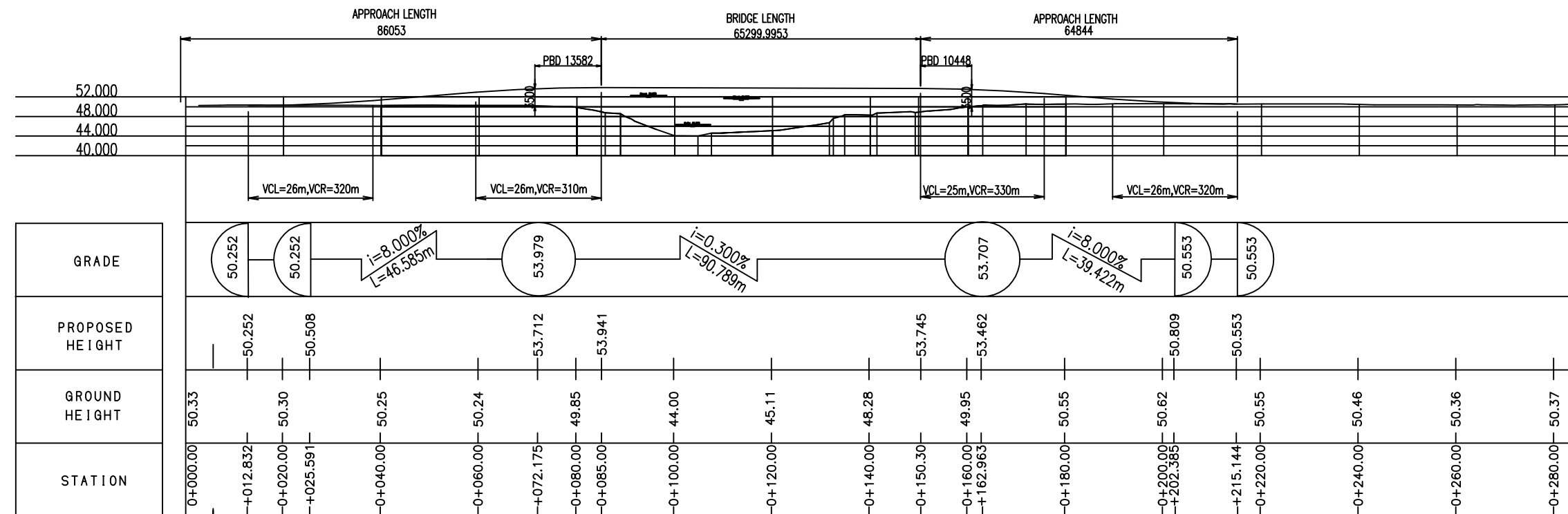
SECTION	SCALE	DRAWING NO.	SHEET NO.
	1/200,1/1000	B-35	1 OF 1
DRAWING TITLE	ROAD PLANNING (BR.NO.35 DAI LOI)		
REV. NO.	DATE	DESCRIPTION	SIGNATURE



TYPICAL CROSS SECTION OF APPROACH ROAD
S=1/200



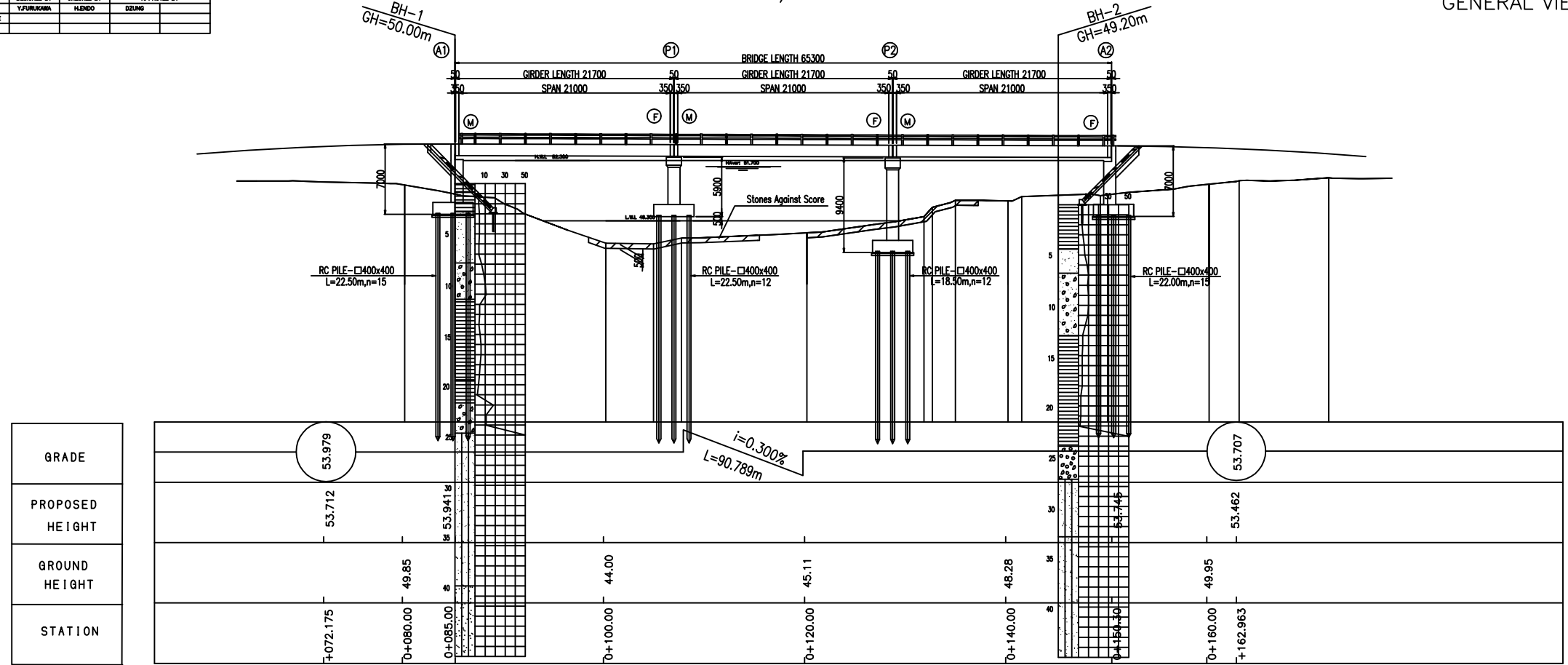
PROFILE
S=1/1000



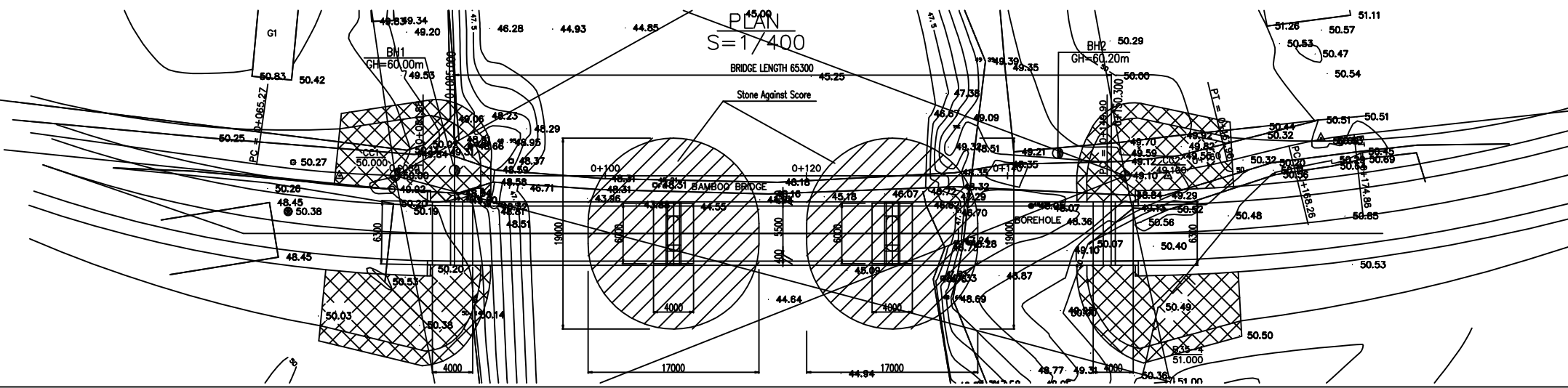
THE GOVERNMENT OF SOCIALIST REPUBLIC OF VIETNAM PROJECTS MANAGEMENT UNIT NO.18, MINISTRY OF TRANSPORTS			
PROJECT	THE PROJECT FOR RECONSTRUCTION OF BRIDGES IN THE CENTRAL AREA OF VIETNAM		
CONSULTANT	CONSORTIUM OF PACIFIC CONSULTANTS INTERNATIONAL AND ORIGINAL CONSULTANTS		
DESIGNED BY	CHECKED BY	APPROVED BY	
NAME	YU. V. KAVYUKIN	NAME	NGUYEN QUANG DINH
SIGNATURE		SIGNATURE	
DATE		DATE	

PROFILE
S=1/400

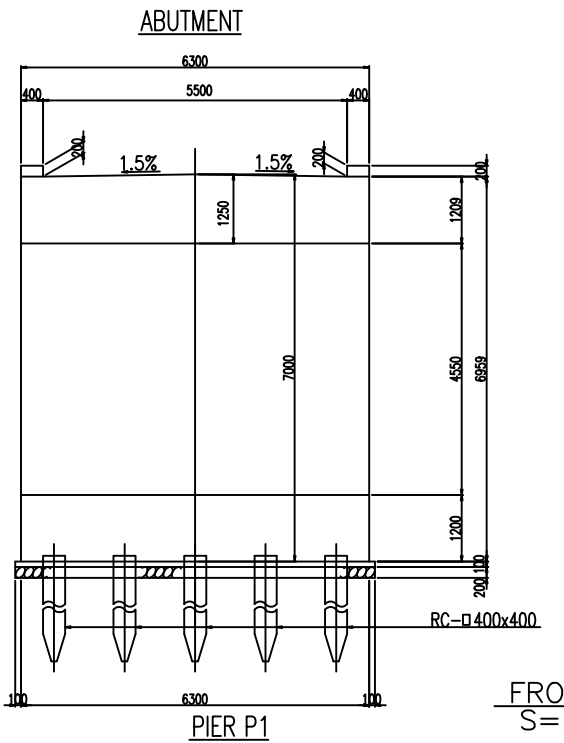
BR.NO.35 DAI LOI
GENERAL VIEW OF THE BRIDGE



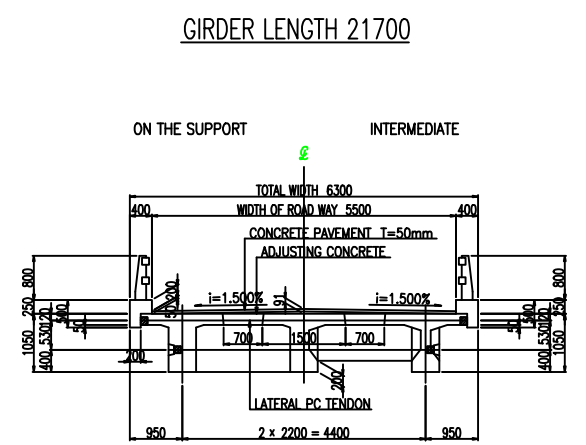
PLAN
S=1/400



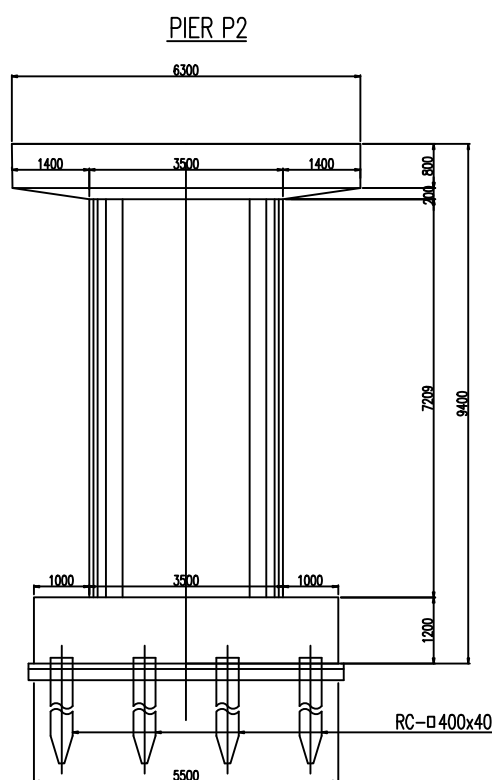
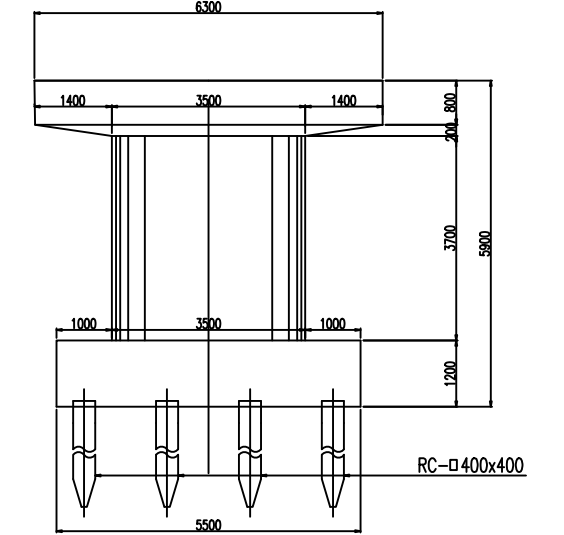
FRONT VIEW
S=1/100



CROSS SECTION FOR PC GIRDER
S=1/100



FRONT VIEW
S=1/100



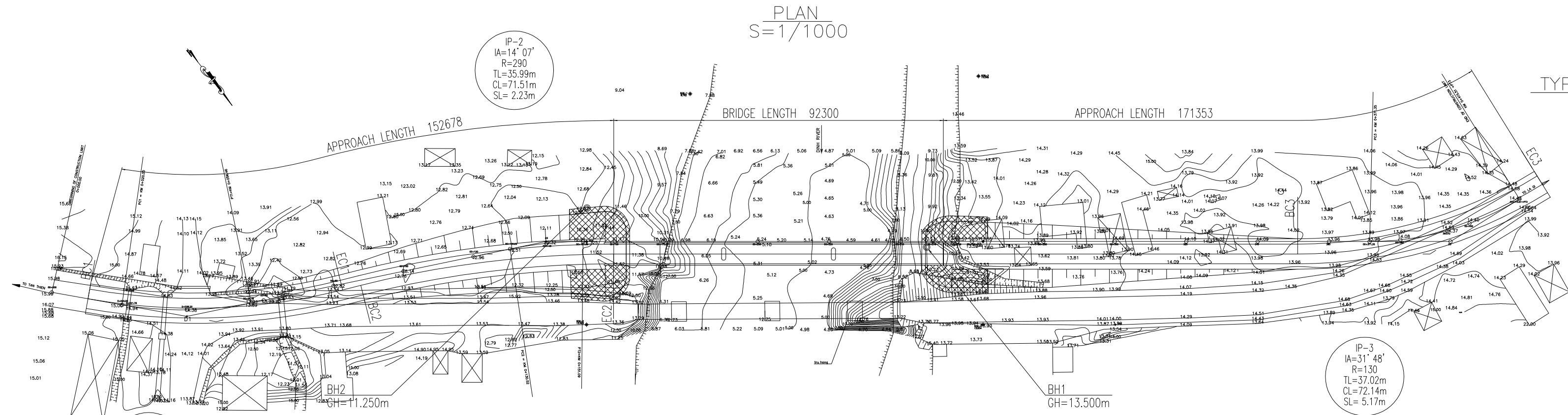
DESIGN CRITERIA

General Condition		
Design Live Load	H13.X60	
Design Speed	V=25km/h	
Bridge Length(Span Length)	65.30m(21.00m+21.00m+21.00m)	
Free Board	0.5m	
Longitudinal Gradient	0.3%	
Cross-fall of Carriage way	1.50%	
Super Structure Type	Prestressed Concrete	
Sub Structure Type	Abutment	Reinforced Concrete
	Pier	Reinforced Concrete
Foundation Type	Abutment	Rc Pile D400x400
	Pier	Rc Pile D400x400
Material Strength		
Super Structure Type	Girder	$\sigma = 28 = 35N/mm^2$
	Cross Beam	$\sigma = 28 = 30N/mm^2$
	Slab	$\sigma = 28 = 30N/mm^2$
Surface	Curb, Handrail	$\sigma = 28 = 21N/mm^2$
Sub Structure Type		$\sigma = 28 = 21N/mm^2$
Reinforcing Steel		SD295($\sigma_y = 295N/mm^2$)

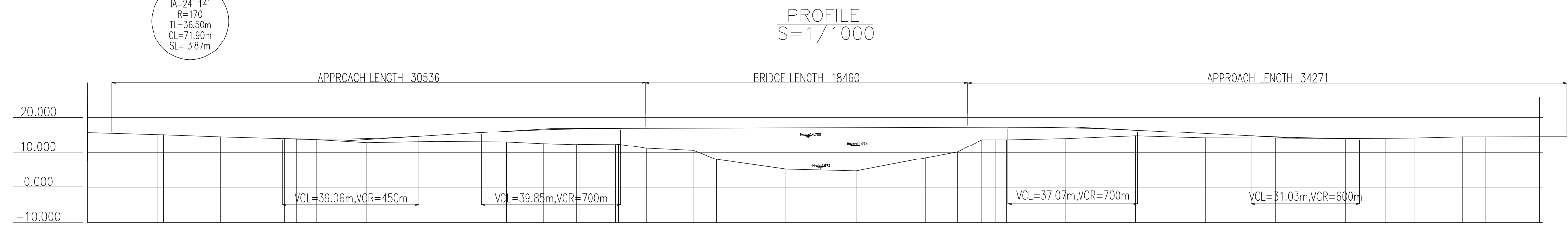
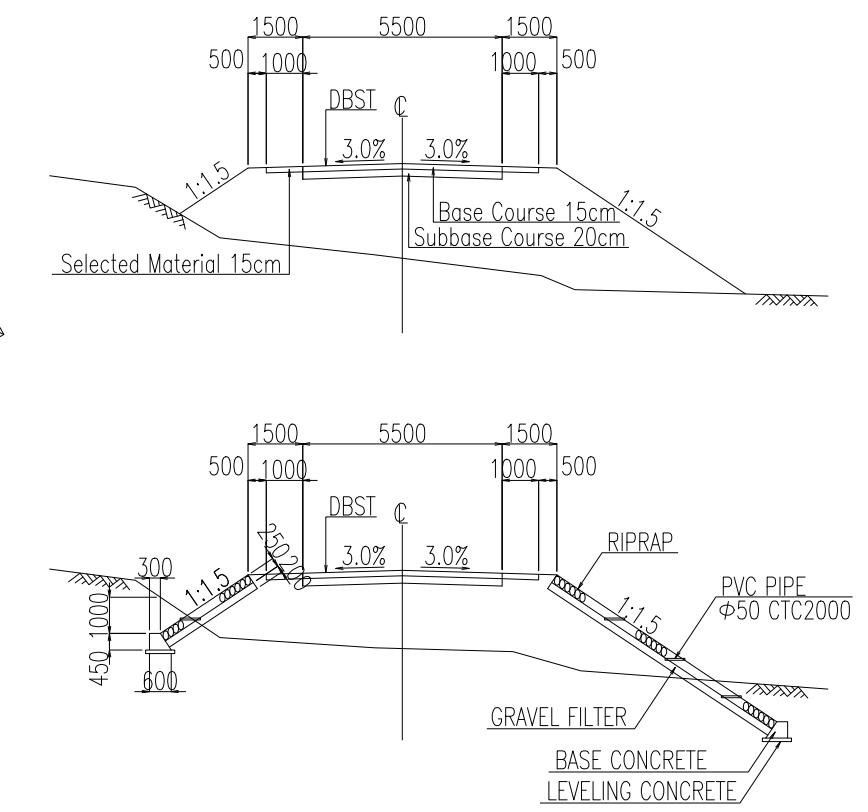
THE GOVERNMENT OF SOCIALIST REPUBLIC OF VIETNAM PROJECTS MANAGEMENT UNIT NO.18, MINISTRY OF TRANSPORTS			
PROJECT	THE PROJECT FOR RECONSTRUCTION OF BRIDGES IN THE CENTRAL AREA OF VIETNAM		
CONSULTANT	CONSORTIUM OF PACIFIC CONSULTANTS INTERNATIONAL AND ORIENTAL CONSULTANTS		
DESIGNED BY	CHECKED BY	APPROVED BY	
NAME	Y.FURUKAWA	H.ENDO	DEZUNG
SIGNATURE			
DATE			

BR.NO.36 DA DUNG BRIDGE
GENERAL VIEW OF THE SITE

SECTION	SCALE	DRAWING NO.	SHEET NO.
	1/200, 1/1000	C-1	1 OF 1
DRAWING TITLE	ROAD PLANNING (BR.NO.36 DA DUNG BRIDGE)		
REV. NO.	DATE	DESCRIPTION	SIGNATURE



TYPICAL CROSS SECTION OF APPROACH ROAD
S=1/200



GRADE	PROPOSED HEIGHT	GROUND HEIGHT	STATION
13.906	13.906	15.59	0+000.00
13.223	13.554	14.99	0+020.99
		14.38	0+038.23
		13.89	0+055.864
		13.79	0+056.46
		13.63	0+060.00
		12.82	0+065.50
		13.14	0+072.776
		12.96	0+080.00
		12.51	0+100.00
		12.32	0+120.00
		12.32	0+130.52
		11.17	0+132.700
		10.57	0+148.88
		8.01	0+152.88
		5.24	0+159.700
		4.76	0+160.00
		8.50	0+173.55
		10.11	0+180.00
		13.57	0+200.00
		13.57	0+249.00
		13.55	0+252.000
		13.90	0+256.00
		14.69	0+260.00
		14.10	0+263.10
		14.10	0+280.00
		14.09	0+282.000
		13.96	0+300.00
		13.98	0+320.00
		14.08	0+340.00
		14.37	0+346.369
		14.40	0+360.00
		14.40	0+364.064
		14.40	0+371.35
		14.42	0+380.00
		14.42	0+393.43
		14.42	0+400.00
		14.42	0+415.51

THE GOVERNMENT OF SOCIALIST REPUBLIC OF VIETNAM PROJECTS MANAGEMENT UNIT NO.18, MINISTRY OF TRANSPORTS			
PROJECT THE PROJECT FOR RECONSTRUCTION OF BRIDGES IN THE GENERAL AREA OF VIETNAM			
CONSULTANT CONSORTIUM OF PACIFIC CONSULTANTS INTERNATIONAL AND ORIENTAL CONSULTANTS			
DESIGNED BY	CHECKED BY	APPROVED BY	
Y.FURUKAWA	H.ENDO	D.DUNG	
SIGNATURE			
DATE			

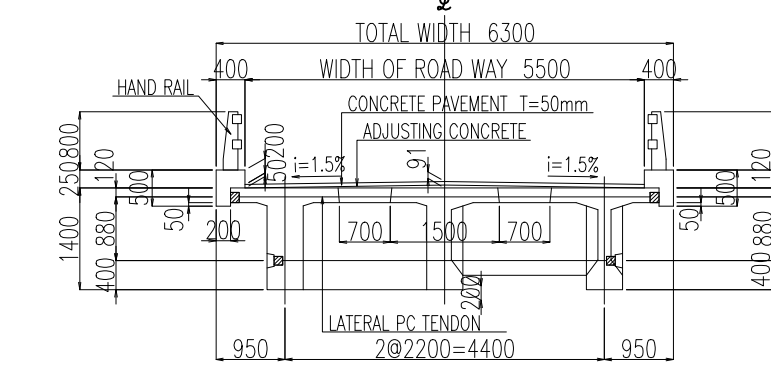
PROFILE
S=1/400

BR.NO.36 DA DUNG BRIDGE
GENERAL VIEW OF THE BRIDGE

CROSS SECTION
S=1/100

GIRDER LENGTH 30700

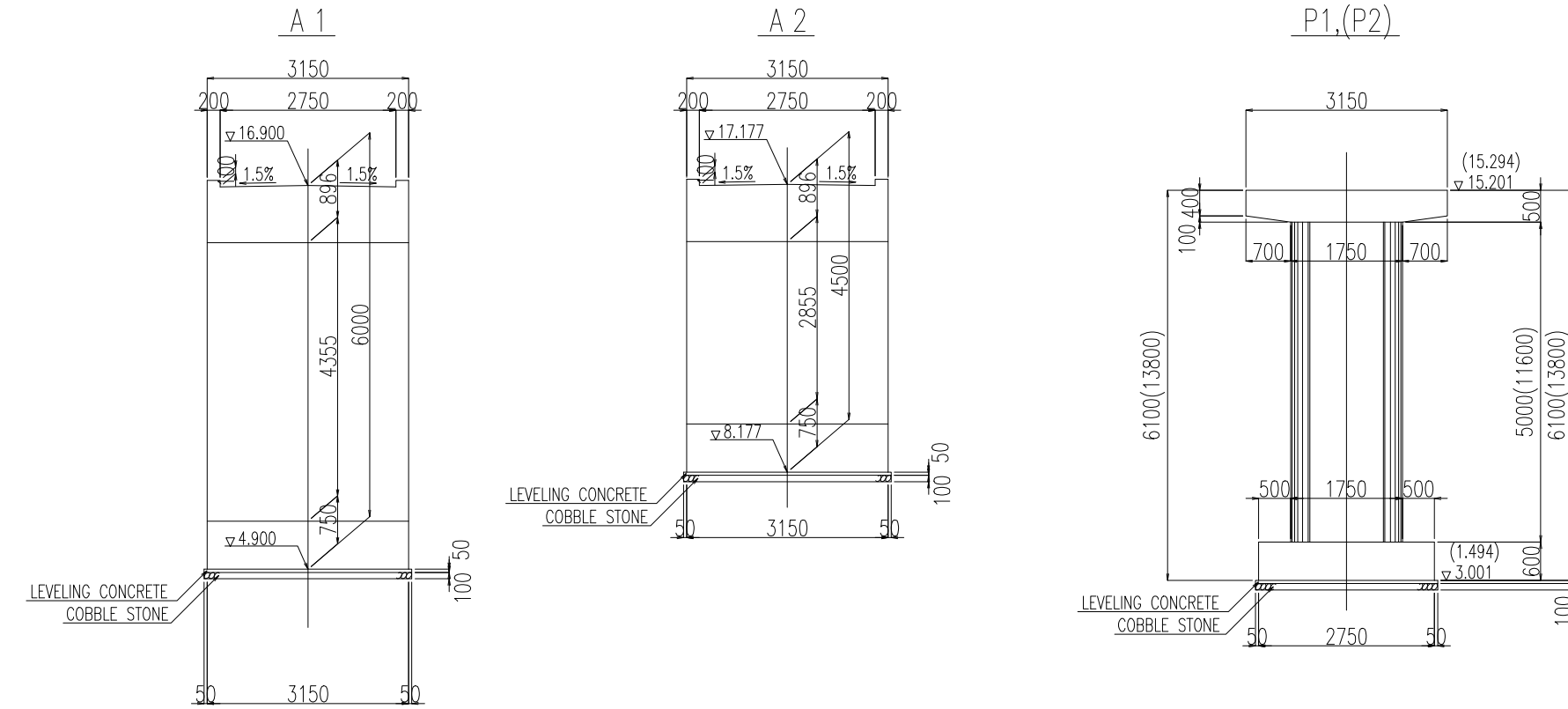
ON THE SUPPORT INTERMEDIATE



FRONT VIEW
S=1/200

ABUTMENT

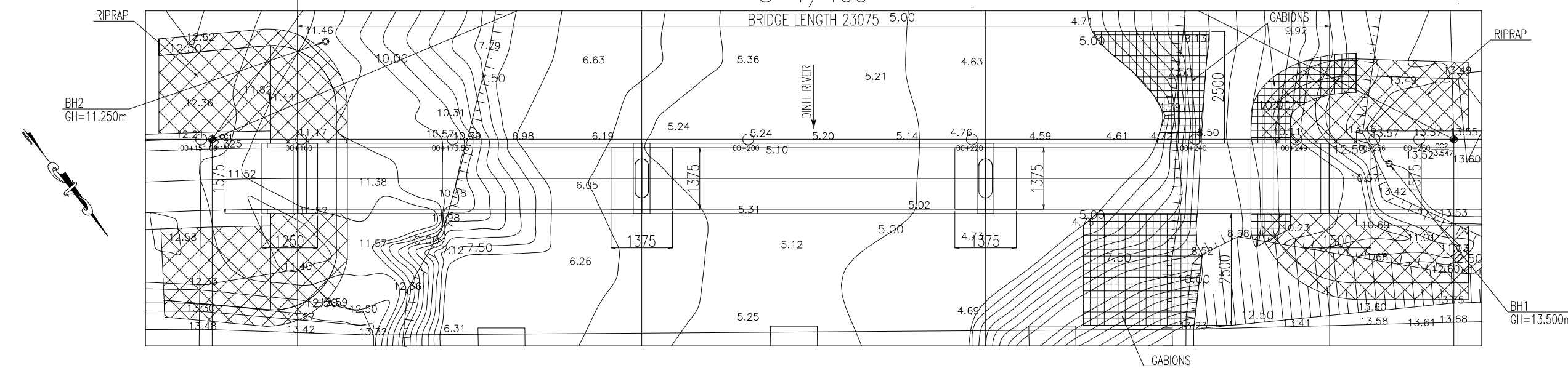
PIER



DATUM ELEV: -5.00

GRADE	i=0.300% L=27.000m		i=0.300% L=49.550m		i=0.300% L=30.000m	
PROPOSED HEIGHT	16.900	16.992	17.085	17.177		
GROUND HEIGHT	12.32	12.21 12.32	10.57 8.01	5.24	4.76 8.50	10.11 13.57 13.55
STATION	0+140.80	0+151.09 0+152.06	0+159.700 0+160.000	0+173.55 0+180.00	0+190.475 0+200.000	0+220.00 0+221.225 0+240.00 0+249.00 0+252.000 0+256.00 0+260.00 0+263.10

PLAN
S=1/400



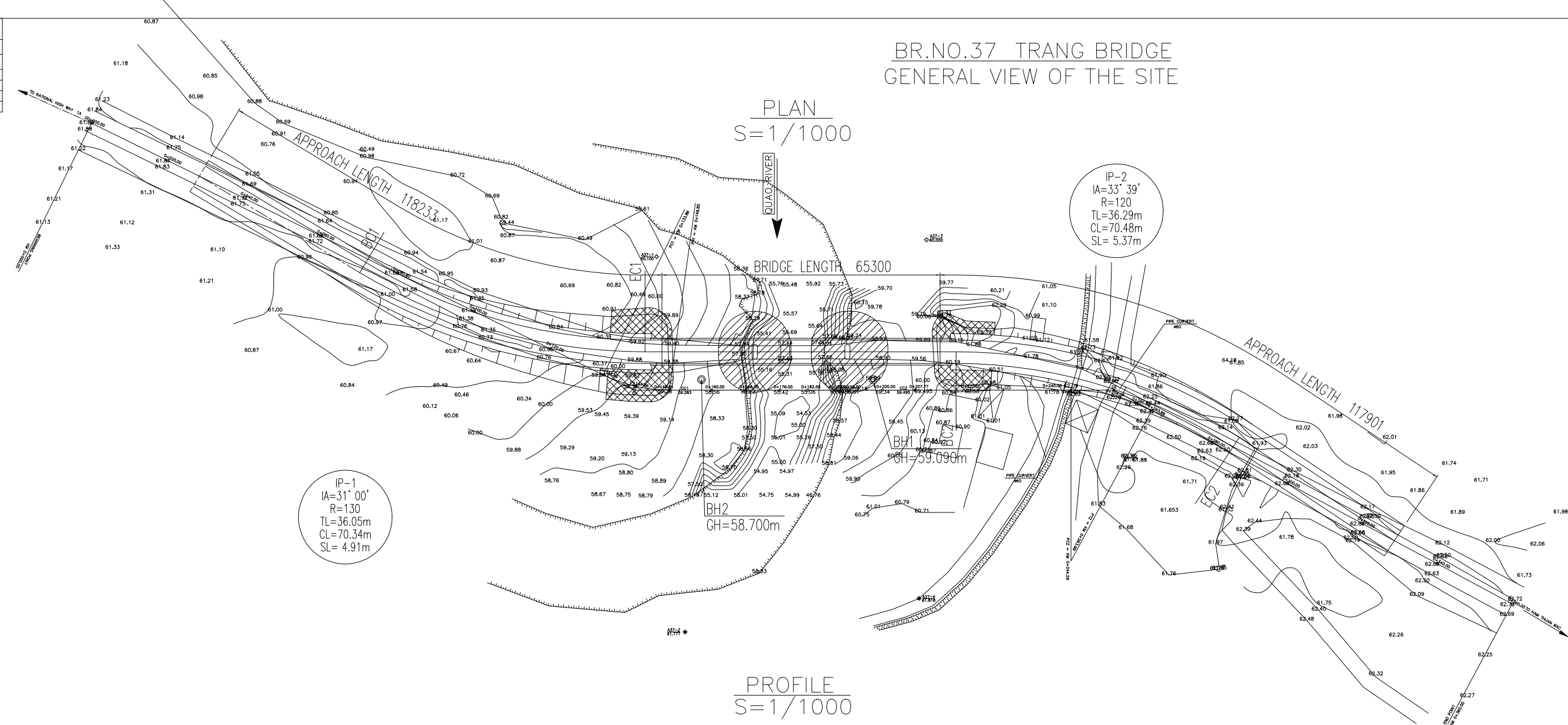
DESIGN CRITERIA

General Condition	
Design Live Load	H13,X60
Design Speed	V=40km/h
Bridge Length(Span Length)	92.30m(30.00m+30.00m+30.00m)
Freeboard	0.5m
Longitudinal Gradient	0.30 %
Cross-fall of Carriage way	1.50 %
Super Structure Type	Prestressed Concrete
Sub Structure Type	Abutment Reinforced Concrete Pier Reinforced Concrete
Foundation Type	Abutment A1:Rc Pile □400x400 A2:Spread foundation Pier P1:Spread foundation P2:Spread foundation
Material Strength	
Super Structure Type	Girder $\sigma_{28}=35N/mm^2$ Cross Beam $\sigma_{28}=30N/mm^2$ Slab $\sigma_{28}=30N/mm^2$
Surface	Curb,Handrail $\sigma_{28}=21N/mm^2$
Sub Structure Type	$\sigma_{28}=21N/mm^2$
Reinforcing Steel	SD295($\rho_y=295N/mm^2$)

THE GOVERNMENT OF SOCIALIST REPUBLIC OF VIETNAM PROJECTS MANAGEMENT UNIT NO.18, MINISTRY OF TRANSPORTS			
PROJECT	THE PROJECT FOR RECONSTRUCTION OF BRIDGES IN THE CENTRAL AREA OF VIETNAM		
CONSULTANT	CONSORTIUM OF PACIFIC CONSULTANTS INTERNATIONAL AND ORIENTAL CONSULTANTS		
DESIGNED BY	CHECKED BY	APPROVED BY	
NAME	Y.FURUKAWA	H.ENDO	D.ZUNG
SIGNATURE			
DATE			

BR.NO.37 TRANG BRIDGE
GENERAL VIEW OF THE SITE

SECTION	SCALE	DRAWING NO.	SHEET NO.
	1/200, 1/1000	C-1	1 OF 1
DRAWING TITLE	ROAD PLANNING (BR.NO.37 TRANG BRIDGE)		
REV. NO.	DATE	DESCRIPTION	SIGNATURE



TYPICAL CROSS SECTION OF APPROACH ROAD
S=1/200

