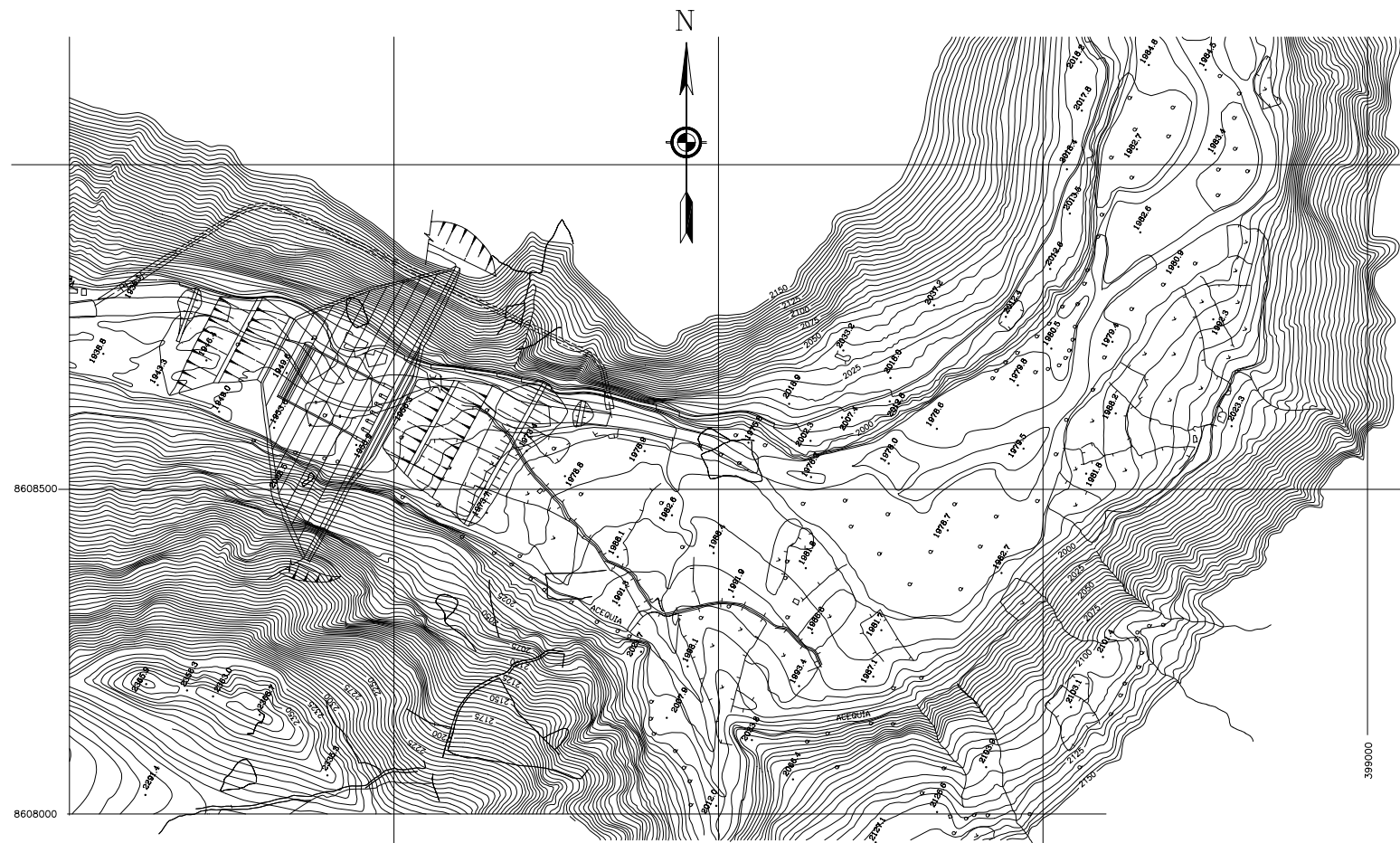
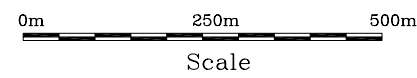
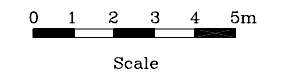
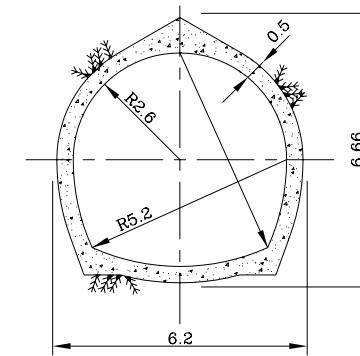


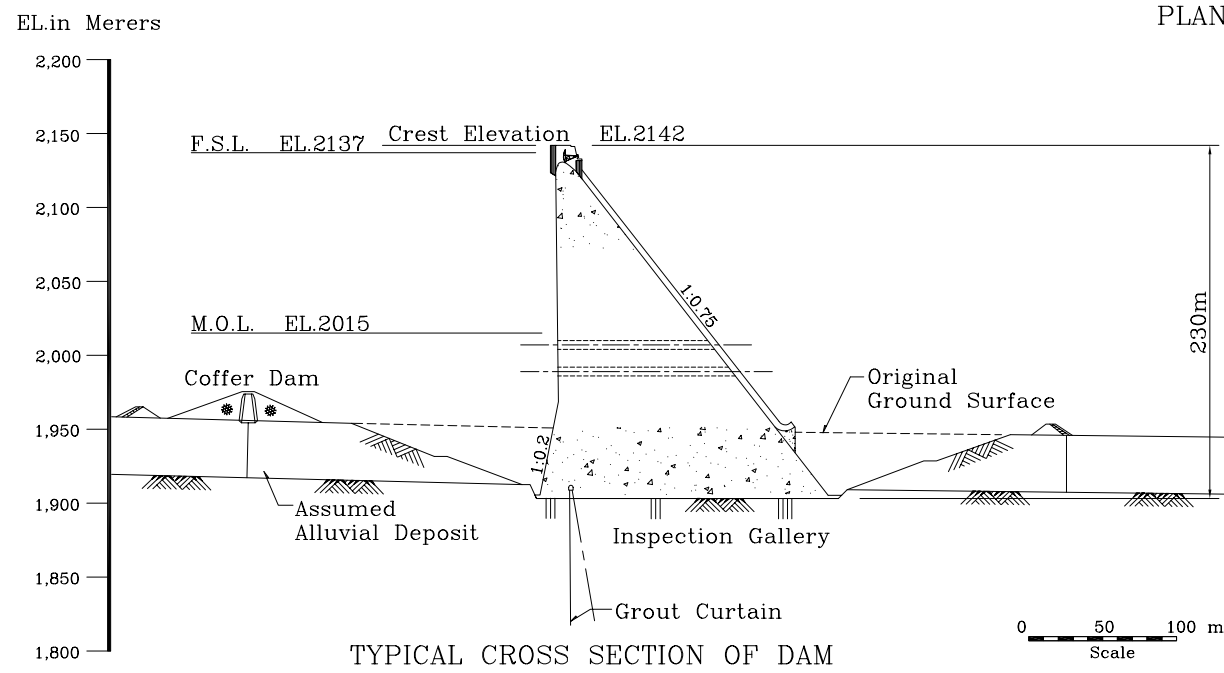
KEY MAP



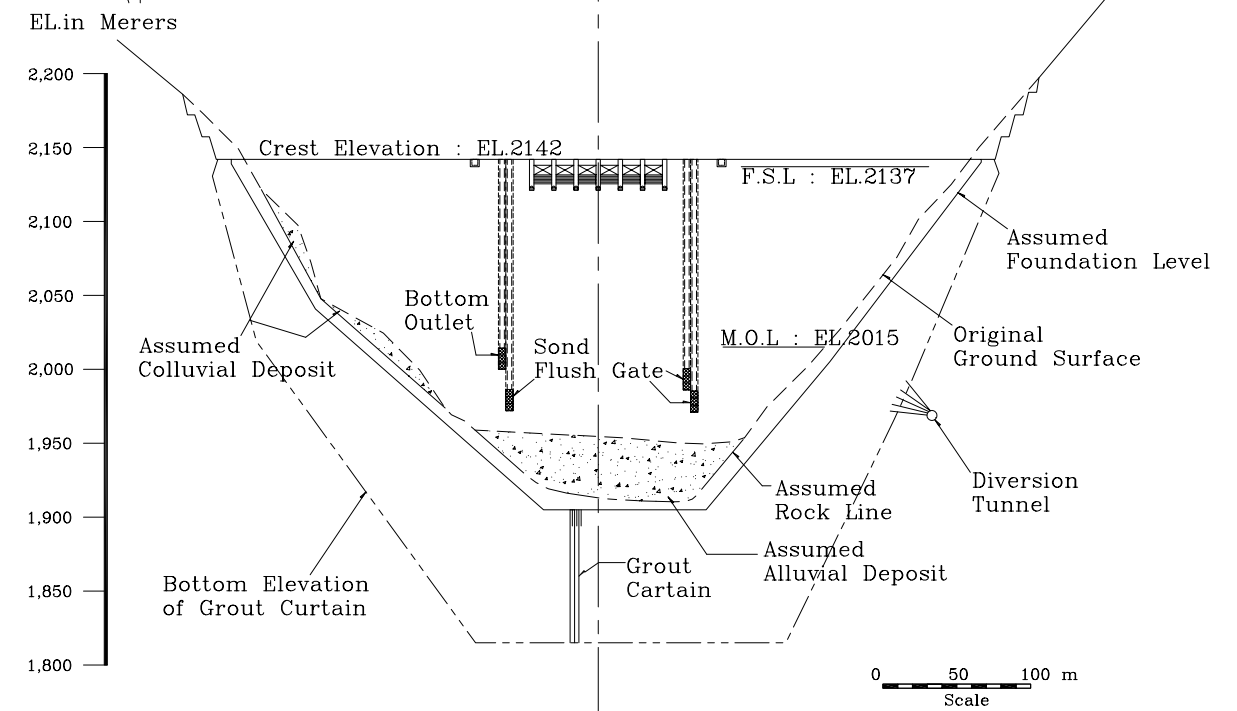
PLAN



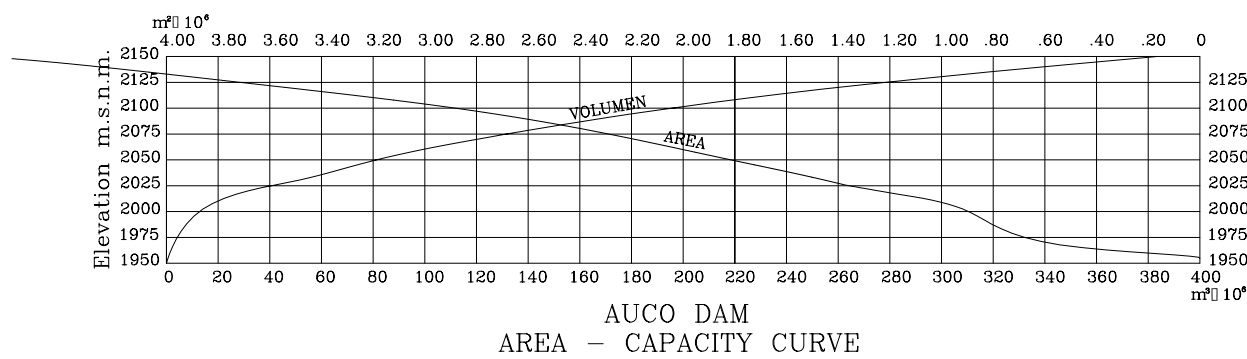
TYPICAL SECTION OF DIVERSION TUNNEL



TYPICAL CROSS SECTION OF DAM



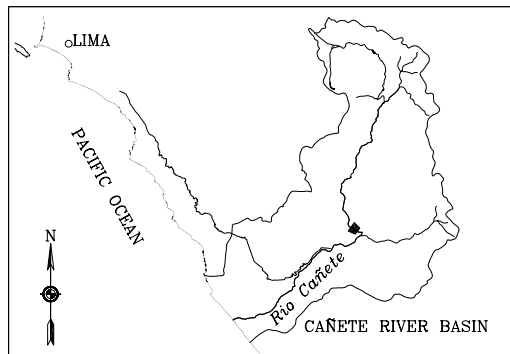
UPSTREAM ELEVATION



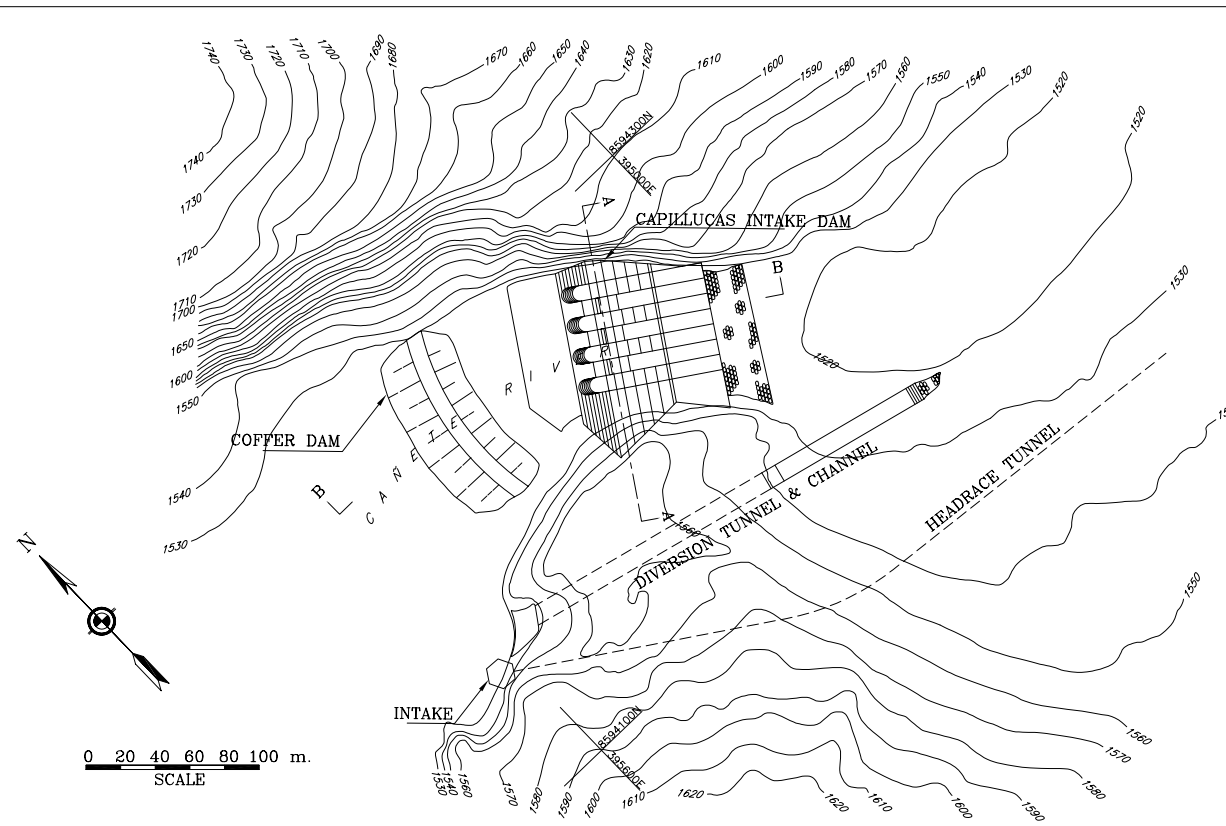
STUDY ON INTEGRATED WATER RESOURCES DEVELOPMENT
THE CAÑETE RIVER BASIN IN THE REPUBLIC OF PERU
JAPAN INTERNATIONAL COOPERATION AGENCY

Figure 5.1.4

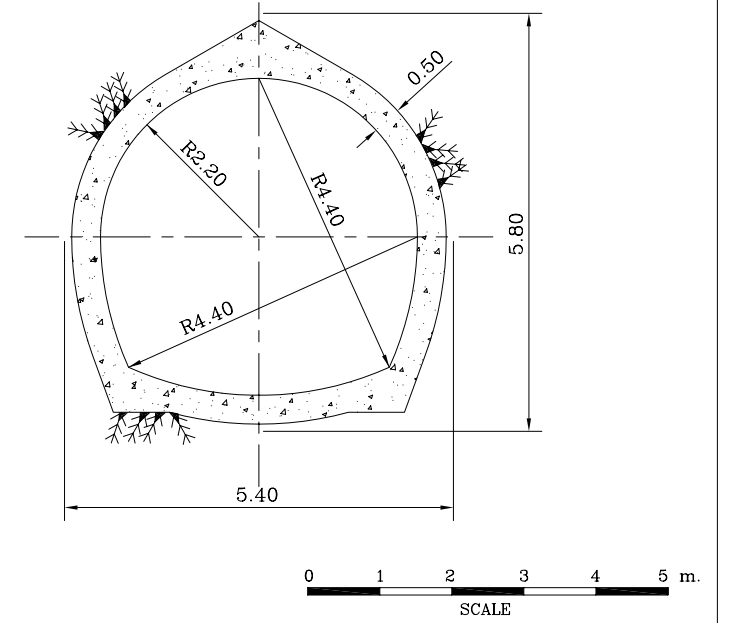
AUCO DAM
(RCC DAM)



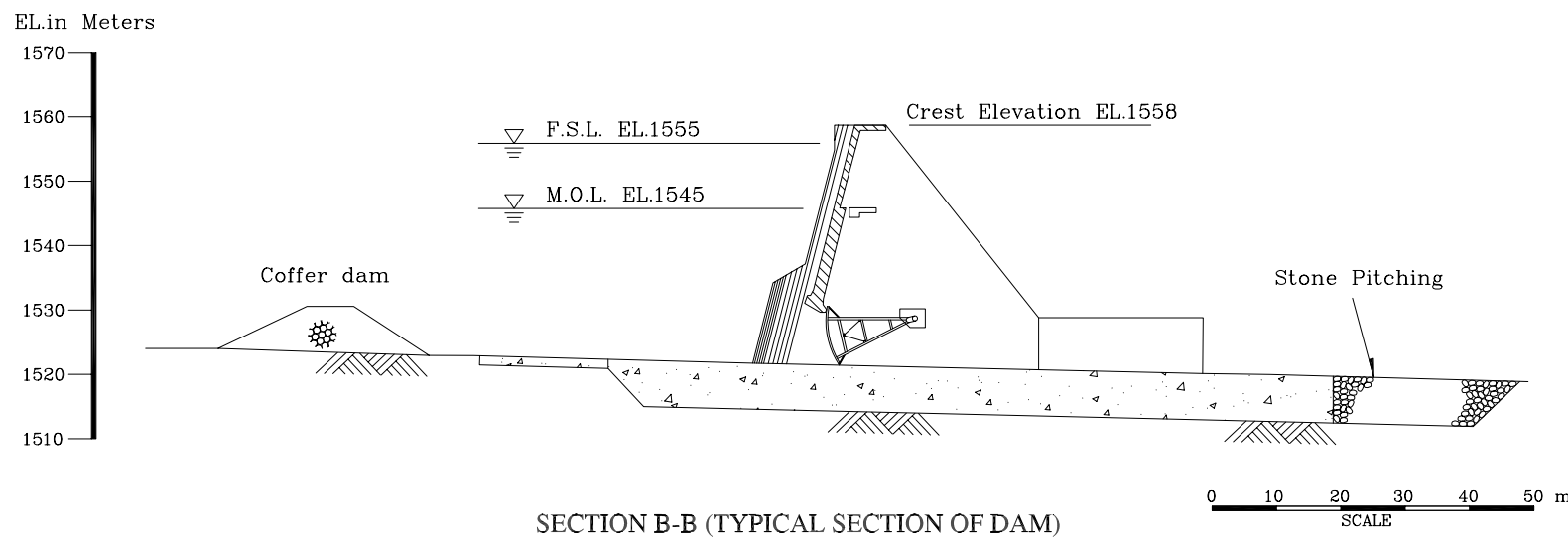
KEY MAP



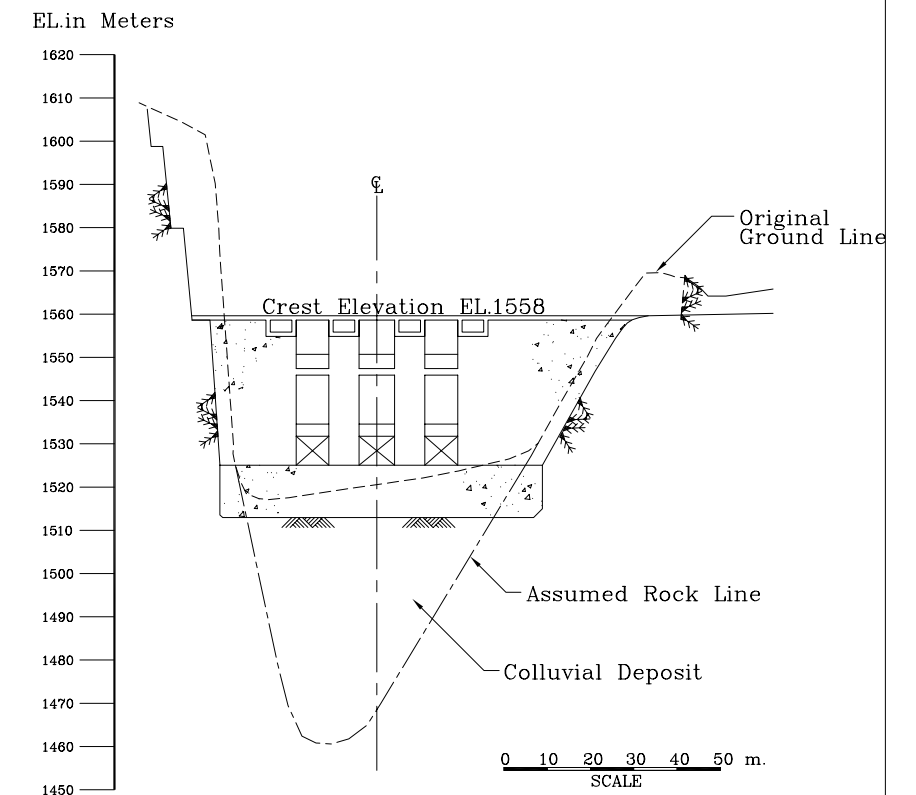
PLAN



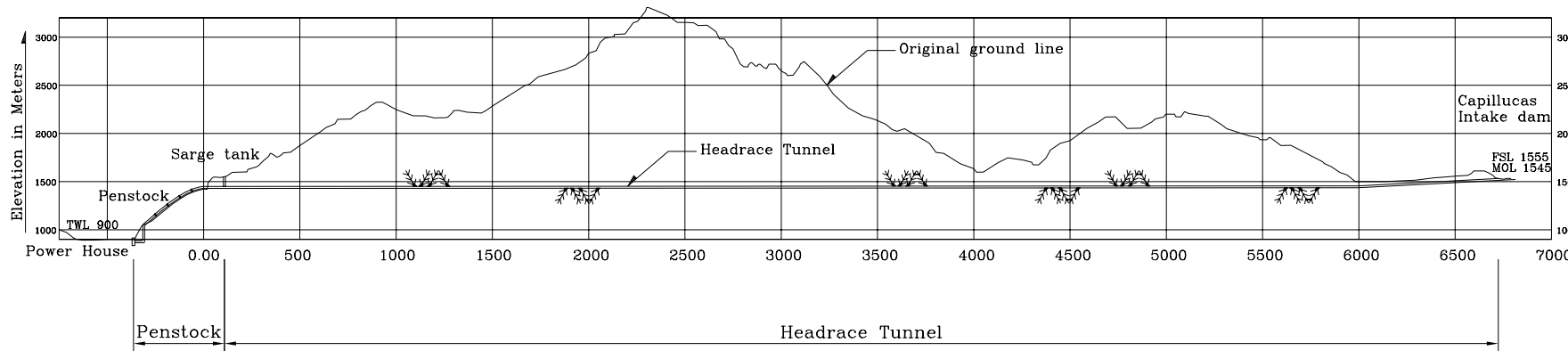
TYPICAL SECTION OF HEADRACE TUNNEL



SECTION B-B (TYPICAL SECTION OF DAM)



SECTION A-A (TYPICAL PROFILE OF DAM)



PROFILE OF WATERWAY

Note:
 1) Original Design Prepared by ARPL TECHNOLOGIA INDUSTRIAL S.A, 1998
 2) For Route of water way, see Figure 5.1.1