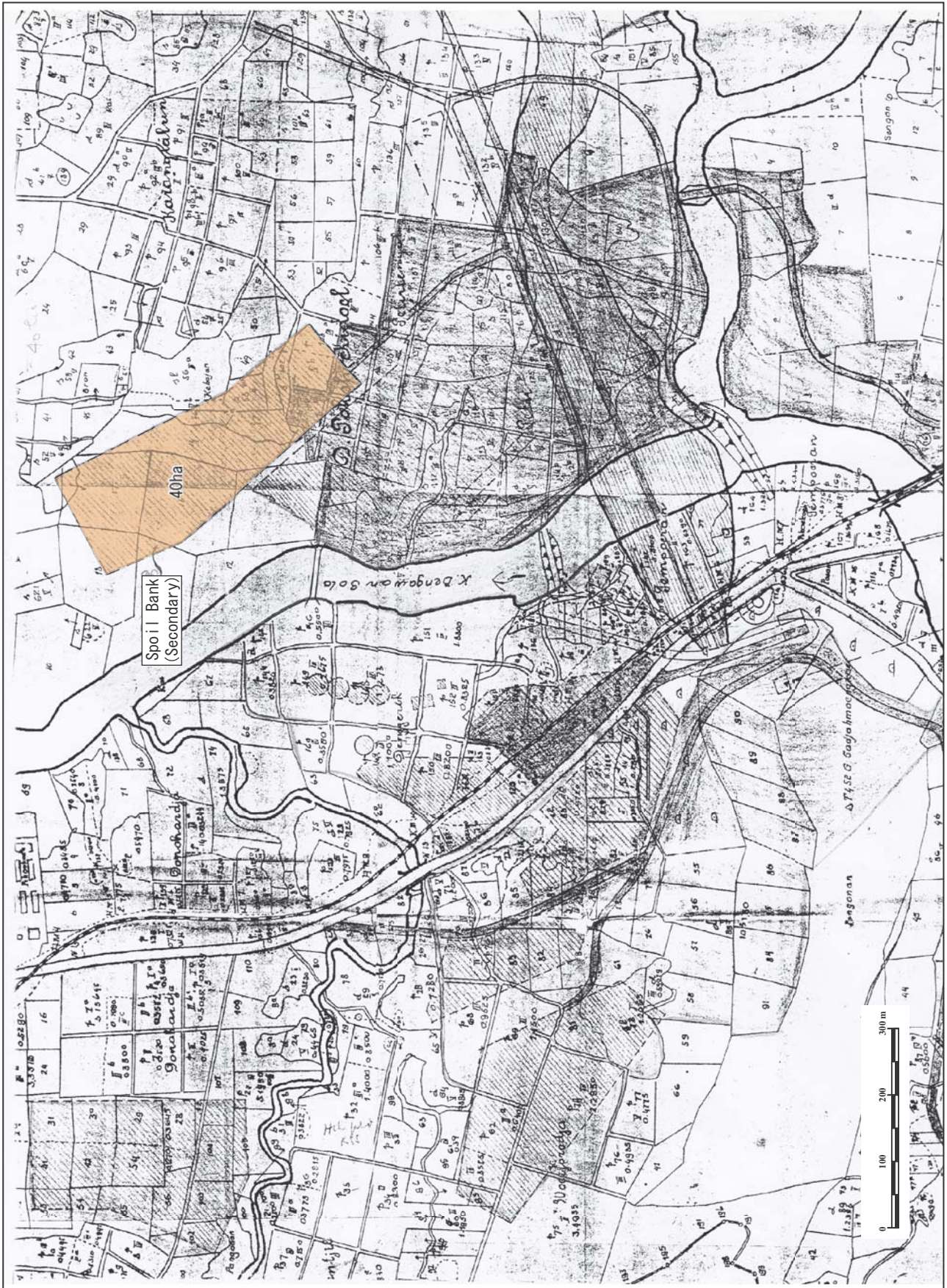


BASIC DESIGN STUDY ON URGENT COUNTERMEASURES FOR SEDIMENTATION IN WOGOGIRI MULTIPURPOSE DAM RESERVOIR IN THE REPUBLIC OF INDONESIA

JAPAN INTERNATIONAL COOPERATION AGENCY

Fig. 2.2.2

Locations of Spoil Bank (1/2)

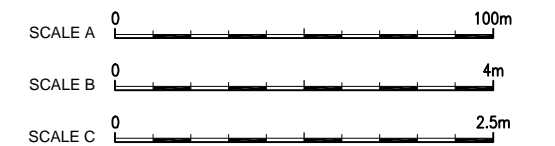
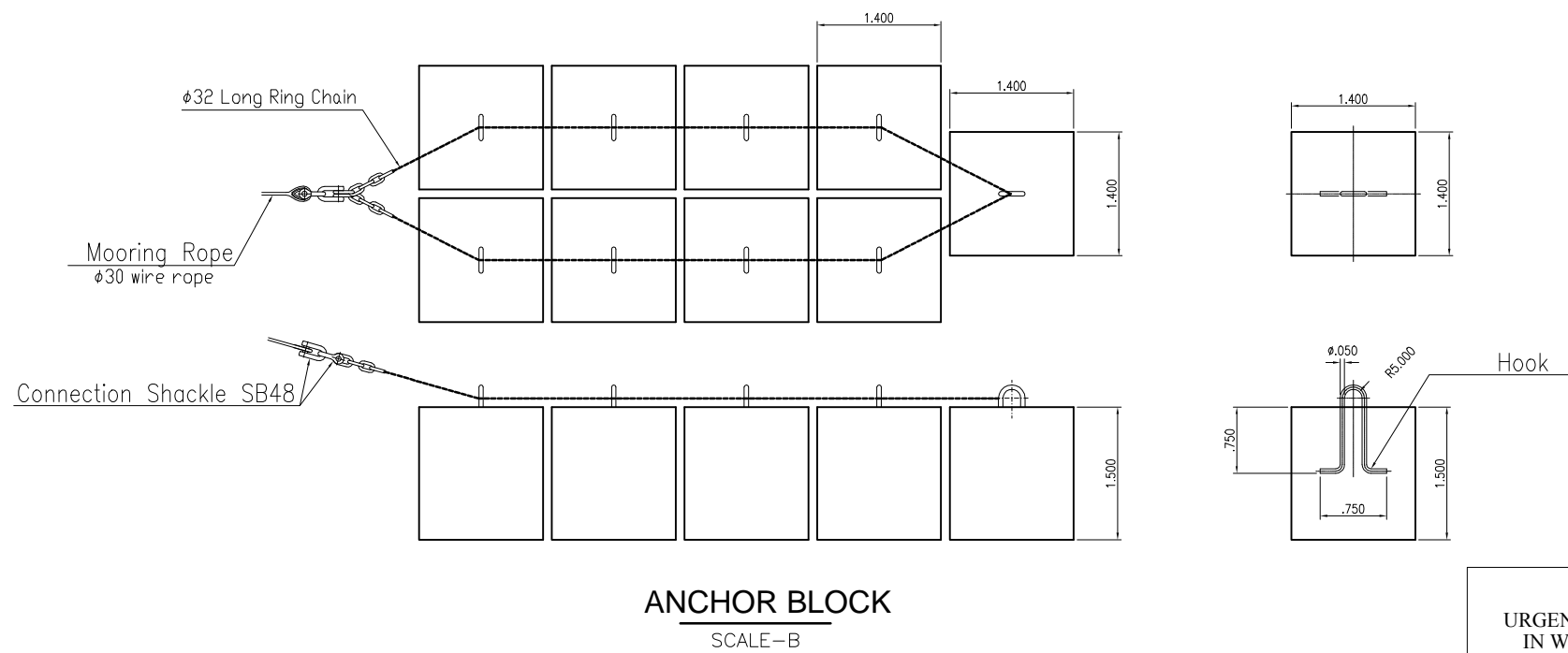
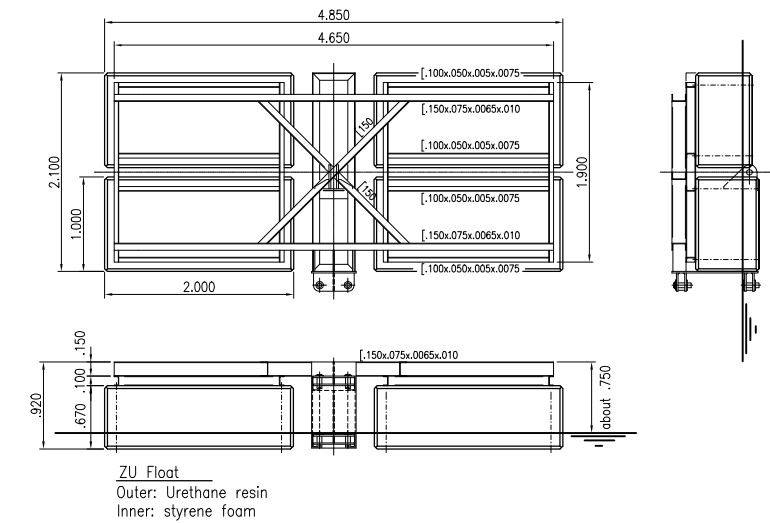
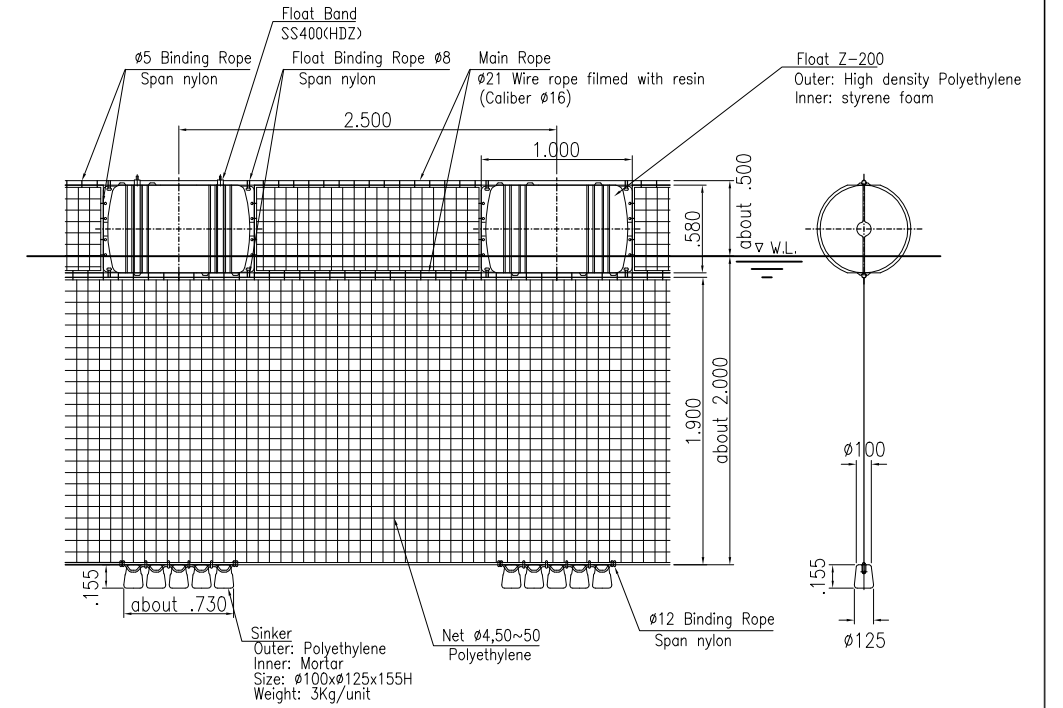
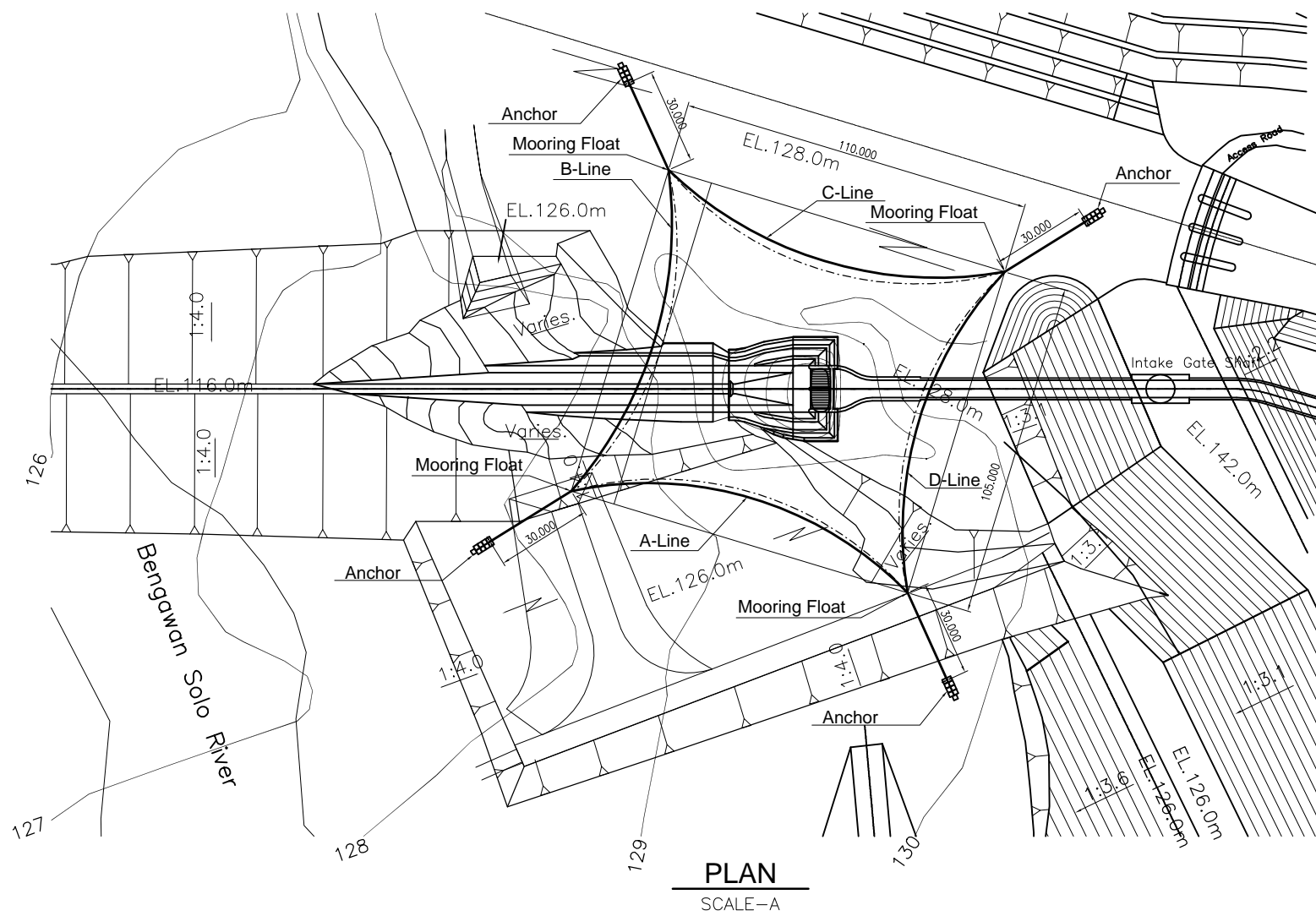


BASIC DESIGN STUDY ON
 URGENT COUNTERMEASURES FOR SEDIMENTATION
 IN WONOGIRI MULTIPURPOSE DAM RESERVOIR
 IN THE REPUBLIC OF INDONESIA

JAPAN INTERNATIONAL COOPERATION AGENCY

Fig. 2.2.2

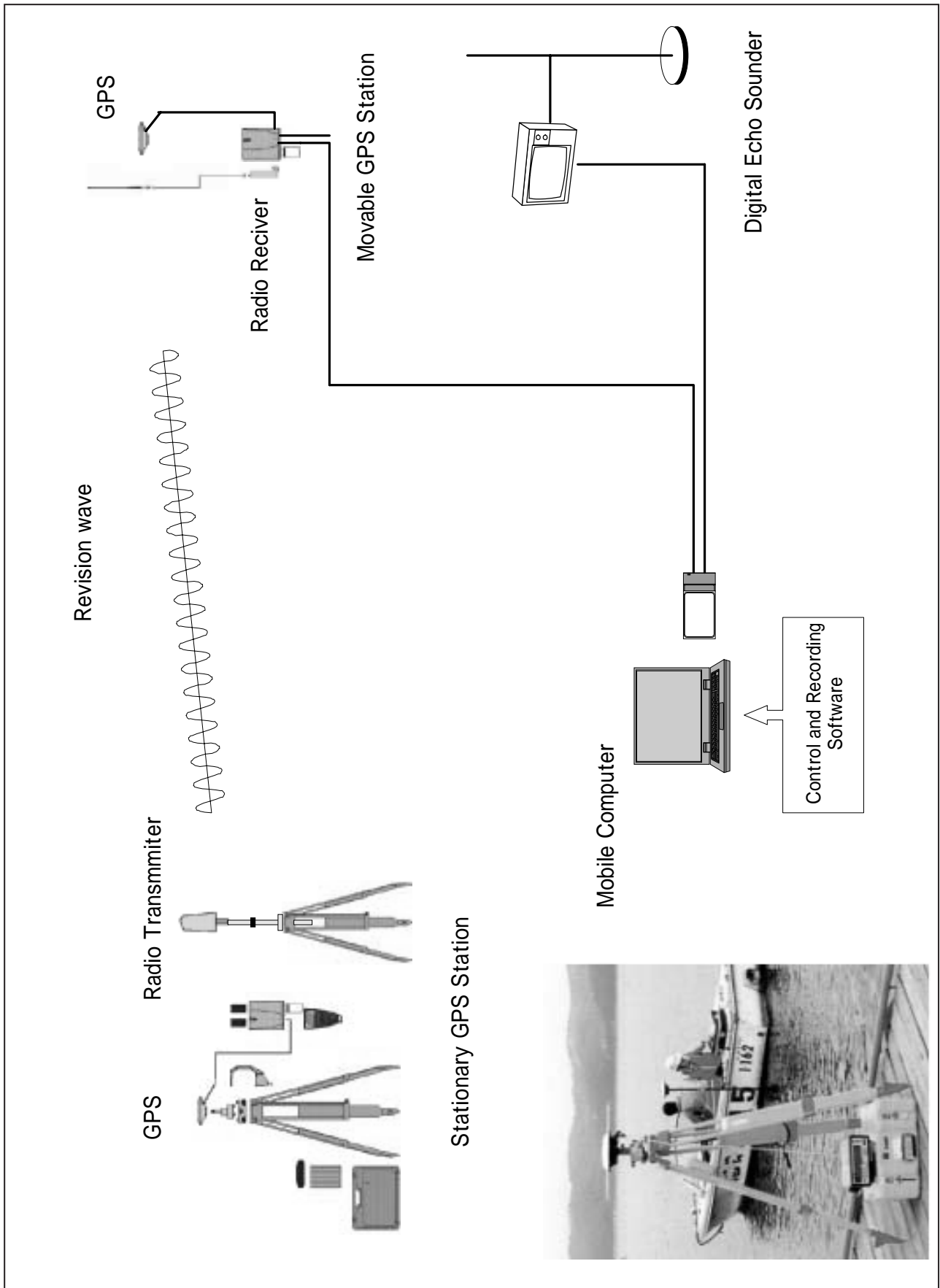
Locations of Spoil Bank (2/2)



THE BASIC DESIGN STUDY ON
URGENT COUNTERMEASURES FOR SEDIMENTATION
IN WONOGIRI MULTIPURPOSE DAM RESERVOIR
IN THE REPUBLIC OF INDONESIA

JAPAN INTERNATIONAL COOPERATION AGENCY

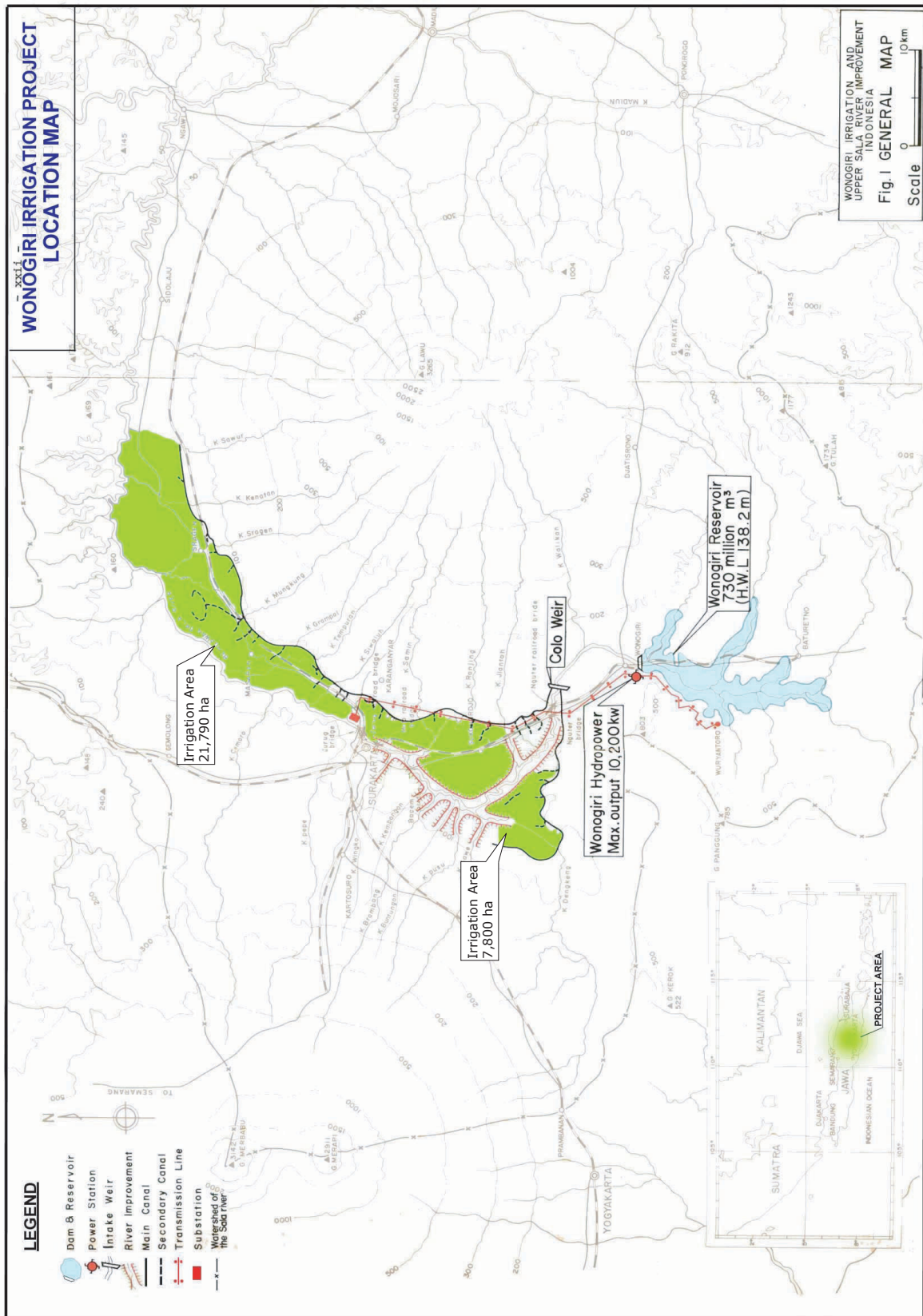
Fig. 2.2.3
Layout of Floating Log Boom



BASIC DESIGN STUDY ON
 URGENT COUNTERMEASURES FOR SEDIMENTATION
 IN WONOGIRI MULTIPURPOSE DAM RESERVOIR
 IN THE REPUBLIC OF INDONESIA

JAPAN INTERNATIONAL COOPERATION AGENCY

Fig. 2.2.4
 Digital Echo Sounding System with GPS



BASIC DESIGN STUDY ON
 URGENT COUNTERMEASURES FOR SEDIMENTATION
 IN WONOGIRI MULTIPURPOSE DAM RESERVOIR
 IN THE REPUBLIC OF INDONESIA

JAPAN INTERNATIONAL COOPERATION AGENCY

Fig. 3.1.1

Locations of Wonogiri Irrigation System

*Basic Design Study Report
on the Project
for Urgent Countermeasures
for Sedimentation
in Wonogiri Multipurpose Dam Reservoir
in the Republic of Indonesia*

Appendices

1 Member List of the Study Team

- (1) Team Leader : **Junji YOKOKURA**
Senior Assistant to the Managing Director, Grant Aid Management Department, JICA
- (2) Project Coordinator : **Tomoyuki NAITO**
Staff, Third Project Management Division, Grant Aid Management Department, JICA
- (3) Technical Advisor : **Josuke KASHIWAI**
Principal researcher for Dam Hydraulic Engineering, Public Works Research Institute, Independent Administrative Institution.
- (4) Chief Consultant / Sabo Planning : **Motoyoshi KAWASHIMA**
Nippon Koei Co., LTD.
- (5) Structure Planning : **Yasuhiro AZUMA**
Nippon Koei Co., LTD.
- (6) Sediment Removal System Planning : **Tsutomu YAMAMOTO**
Nippon Koei Co., LTD.
- (7) Natural Condition Survey : **Mitsuru MIYAZAKI**
Nippon Koei Co., LTD.
- (8) Construction Planning /Cost Estimating : **Kouzo YAMADA**
Nippon Koei Co., LTD.

2 Study Schedule

Field Work

No.	Date	Day	Movement	Lodging	Activities
1	Aug. 13	Mon	Messrs. Azuma, Yamamoto, iyazaki, Yamada Tokyo - Jakarta	Jakarta	Movement
2	Aug. 14	Tue	Messrs. Azuma, Yamamoto, Miyazaki, Yamada Jakarta – Solo	Solo	Courtesy call to the JICA Office
3	Aug. 15	Wed		Solo	Site survey
4	Aug. 16	Thu		Solo	Site survey
5	Aug. 17	Fri		Solo	Site survey
6	Aug. 18	Sat	Mr. Kawashima: Tokyo - Jakarta	Jakarta/ Solo	Site survey
7	Aug. 19	Sun	Mr. Kawashima: Jakarta - Solo	Solo	Site survey
8	Aug. 20	Mon		Solo	Site survey
9	Aug. 21	Tue		Solo	Site survey
10	Aug. 22	Wed		Solo	Site survey
11	Aug. 23	Thu		Solo	Site survey
12	Aug. 24	Fri		Solo	Site survey
13	Aug. 25	Sat		Solo	Site survey
14	Aug. 26	Sun	Messrs. Yokokua, Kashiwai: Tokyo – Jakarta Messrs. Kawashima, Azuma: Solo – Jakarta	Jakarta/ Solo	Movement/ Site survey
15	Aug. 27	Mon	Messrs. Yokokura, Naitou, Kashiwai, Kawashima, Azuma: Jakarta - Solo	Solo	Courtesy call to Embassy of Japan, JICA Office and MHRI/ Site survey
16	Aug. 28	Tue		Solo	Courtesy call and discussion with PBS
17	Aug. 29	Wed		Solo	Courtesy call bupati of Kab. Wonogiri/ Site survey
18	Aug. 30	Thu		Solo	Meeting with PBS, PLN, irrigation sector and forestry sector/ Site survey
19	Aug. 31	Fri		Solo	Meeting with PBS/ Site survey
20	Sep. 1	Sat	Messrs. Yokokura, Naitou, Kashiwai: Solo – Jakarta Mr. Kashiwai: Jakarta -	Jakarta/ Solo	Movement/ Site survey
21	Sep. 2	Sun	Mr. Kashiwai: - Tokyo Messrs. Kawashima, Azuma: Solo - Jakarta	Jakarta/ Solo	Movement/ Site survey
22	Sep. 3	Mon		Jakarta/ Solo	Meeting with MHRI/ Report to JICA Office/ Site survey
23	Sep. 4	Tue	Messrs. Kawashima, Azuma: Jakarta – Solo Messrs. Yokokura, Naitou: Jakarta -	Solo	Signing on the M/D/ Report to the Embassy of Japan Movement/ Site survey
24	Sep. 5	Wed	Messrs. Yokokura, Naitou: - Tokyo	Solo	Site survey
25	Sep. 6	Thu		Solo	Site survey
26	Sep. 7	Fri		Solo	Site survey
27	Sep. 8	Sat		Solo	Site survey
28	Sep. 9	Sun		Solo	Site survey
29	Sep. 10	Mon		Solo	Site survey

30	Sep. 11	Tue		Solo	Site survey
31	Sep. 12	Wed		Solo	Site survey
32	Sep. 13	Thu		Solo	Site survey
33	Sep. 14	Fri	Mr. Yamamoto: Solo – Jakarta -	Solo	Site survey/ Movement
34	Sep. 15	Sat	Mr. Yamamoto: - Tokyo Mr. Yamada: Solo – Jakarta -	Solo	Site survey/ Movement
35	Sep. 16	Sun	Mr. Yamada: - Tokyo	Solo	Site survey
36	Sep. 17	Mon		Solo	Site survey
37	Sep. 18	Tue		Solo	Site survey
38	Sep. 19	Wed	Messrs. Kawashima, Azuma: Solo - Jakarta	Jakarta/ Solo	Movement/ Site survey
39	Sep. 20	Thu	Messrs. Kawashima, Azuma: Jakarta -	Solo	Report to JICA Office
40	Sep. 21	Fri	Messrs. Kawashima, Azuma: - Tokyo	Solo	Site survey
41	Sep. 22	Sat		Solo	Site survey
42	Sep. 23	Sun		Solo	Site survey
43	Sep. 24	Mon		Solo	Site survey
44	Sep. 25	Tue	Mr. Miyazaki: Solo – Jakarta -		Site survey/ Movement
45	Sep. 26	Wed	Mr. Miyazaki: - Tokyo		

Explanation of Draft Final Report

No.	Date	Day	Movement	Lodging	Activities
1	Oct. 28	Sun	Messrs. Naitou, Kawashima, Azuma: Tokyo – Jakarta	Jakarta	
2	Oct. 29	Mon	Messrs. Naitou, Kawashima, Azuma: Jakarta – Solo	Solo	Courtesy call to Embassy of Japan, JICA Office and MHRI/ Movement
3	Oct. 30	Tue		Solo	Meeting with PBS/ Site survey
4	Oct. 31	Wed	Messrs. Naitou, Kawashima, Azuma: Solo – Jakarta	Jakarta	Meeting with PBS
5	Nov. 1	Thu		Jakarta	Report and discussion with MHRI
6	Nov. 2	Fri		Jakarta	Signing on the M/D/ Report to the Embassy of Japan, JICA Office and JBIC
7	Nov. 3	Sat	Mr. Naitou shifts other project Messrs. Kawashima, Azuma: Jakarta - Solo	Solo	Site Survey
8	Nov. 4	Sun		Solo	Site Survey
9	Nov. 5	Mon		Solo	Explanation to PBS
10	Nov. 6	Tue	Messrs. Kawashima, Azuma: Solo – Jakarta -		Report to JICA Office
11	Nov. 7	Wed	Messrs. Kawashima, Azuma: - Tokyo		

3 List of Parties concerned in the Recipient Country

Project Bengawan Solo

(Proyek Induk Pengembangan Wilayah Sungai Bengawan Solo)

Mr. Sutioso Budirahorjo	General Manager
Mr. Grait Sutadi	Manager for Planning
Mr. Hetomo	Manager for Water Conservation Project of Solo River Basin
Mr. Eko Subekti	Manager for Construction

Ministry of Human Settlement and Regional Infrastructure, Directorate General of Water Resources Development

(Departmen Pemukiman dan Prasarana Wilayah, Directorate Jenderal Pengairan)

Mr. Adi Sarwoko	Secretary of Directorate General of Water Resources
Mr. Ir. Hari. Sidharata Dip. He.	Acting Director General (at November)
Mr. Iwan Nursyirwan	Acting Director General (at September)
Mr. Moch Basuki Hadimuljono	Directorate of Water Resources in Central Region
Mr. Hoedijatmoko	Senior Staff
Ms. Muryadi	Senior Staff
Mr. M. Rizal	Senior Staff
Mr. Fumihiko Ishizaka	JICA Expert
Mr. Kazunori Fujisawa	JICA Expert

National Development Planning Agency

(Badan Perencanaan Pembangunan Nasional)

Mr. Hisao Tanimoto	JICA Expert
--------------------	-------------

Regional Development Planning Agency of Central Java Province Kabupaten Wonogiri Office

(Badan Perencanaan Pembangunan Daerah Propinsi Daerah Tingkat I)

Mr. Arso Utoro	Chief of Infrastructure
----------------	-------------------------

Kabupaten Wonogiri Office

Mr. Begug Poernomosidi	Bupati
------------------------	--------

Environment, Forestry and Mining Service of Wonogiri Regency

(Dinas Lingkungan Hidup, Kehutanan dan Pertambangan Kabupaten Wonogiri)

Mr. Sri Jarwadi	Head
-----------------	------

Office of Land Rehabilitation and Soil Conservation for Bengawan Solo River basin, Ministry of Forestry

(Balai Rehabilitasi Lahan dan Konservasi Tanah)

Mr. Kukuh Sutoto Head

Mr. Supriyanto Senior Staff

Watershed Management Technology Center of Surakarta

(Balai Teknologi Pengolahan Daerah Aliran Sungai)

Mr. Nugroho Priyono Head

Mr. Sukresno Senior Staff

Regional Office of Water Resources Management for Upper Solo Basin of Central Java Province

(Balai Pengelolaan Sumber Daya Air)

Mr. Sudaryoso Staff

National Electric Company (PLN)

Mr. Moch Sarmo Senior Staff

Jasa Tirta Public Corporation (Perum Jasa Tirta I)

Mr. Widyo Parwanto Senior Staff

Embassy of Japan

Mr. Shinichi Kusano First Secretary

Japan Bank International Cooperation Indonesia Office

Mr. Shigeo Nakagawa Assistant Resident Representative

Japan International Cooperation Agency Indonesia Office

Mr. Michio Kanda Resident Representative

Mr. Makoto Inaba Deputy Resident Representative

Mr. Yuji Otake Deputy Resident Representative

Mr. Hirofumi Hoshi Assistant Resident Representative