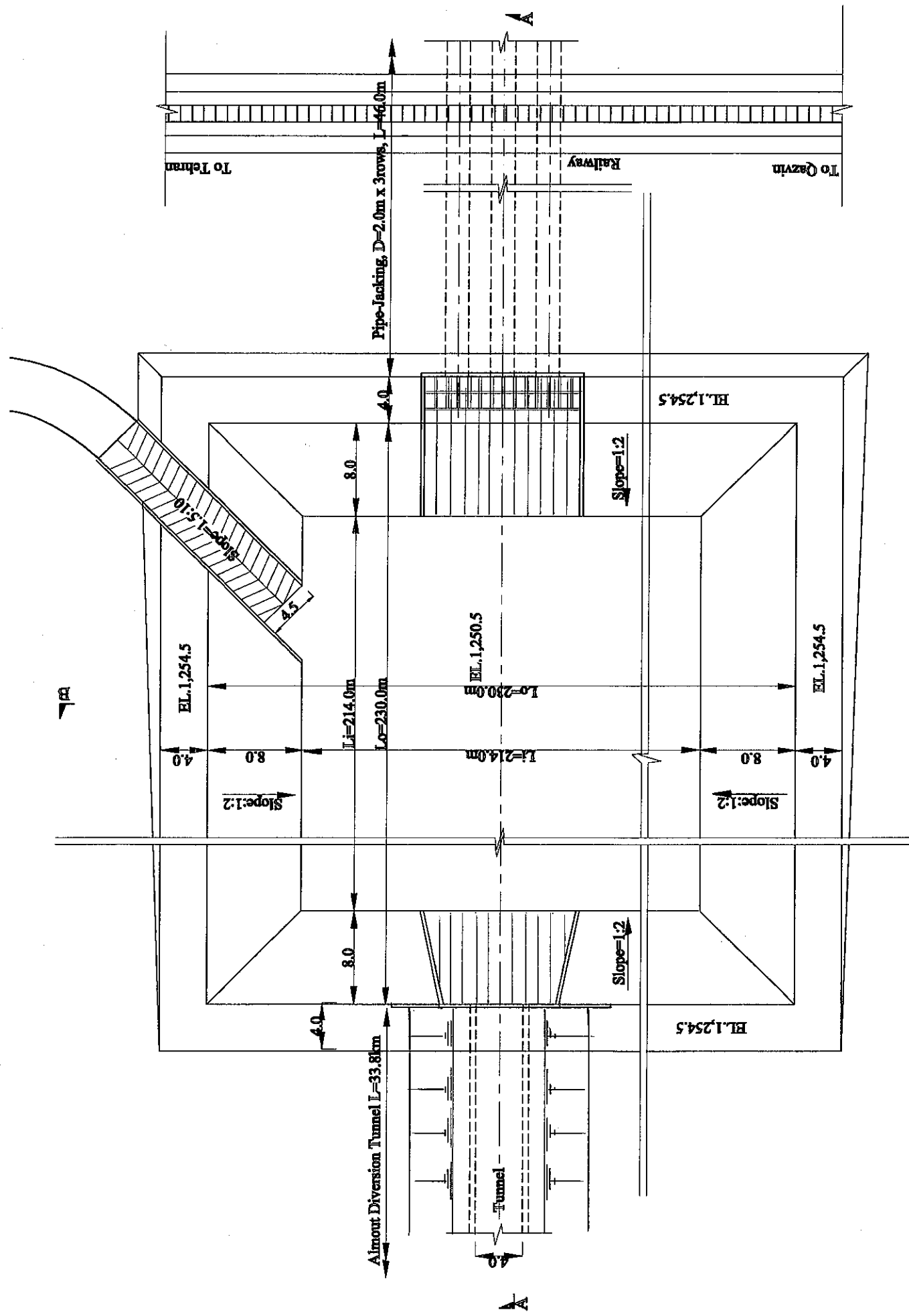
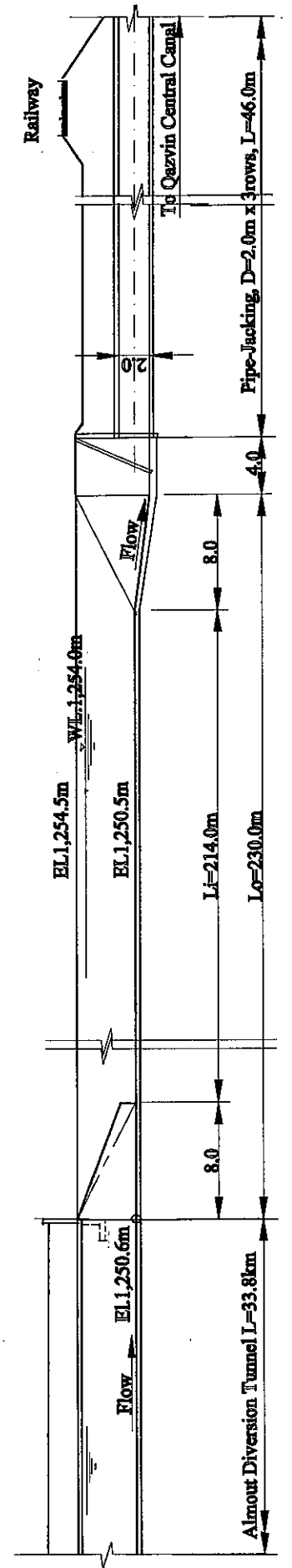


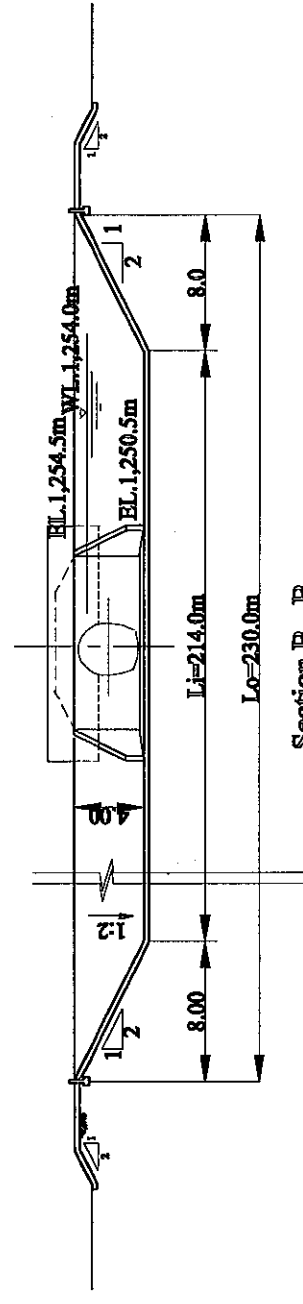
8.4.2.5



Plan



Section A - A



Section B - B

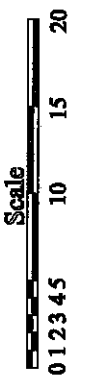
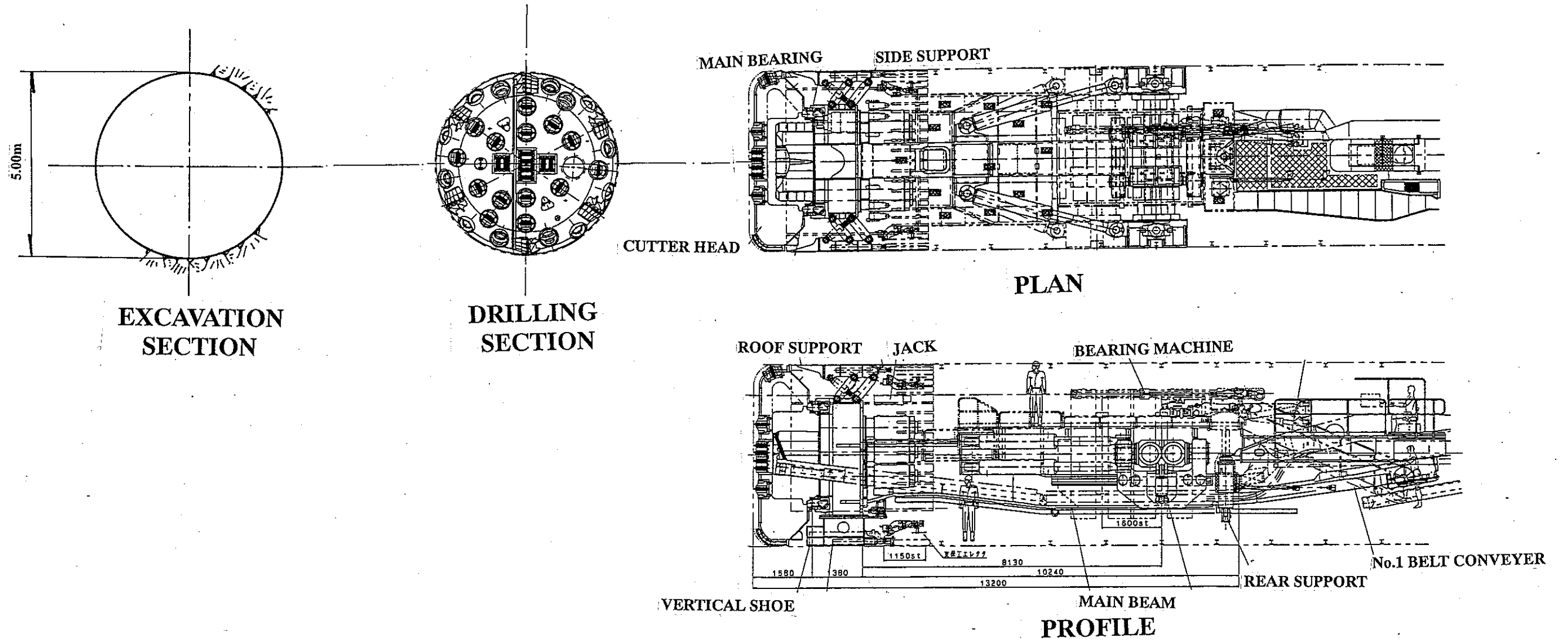
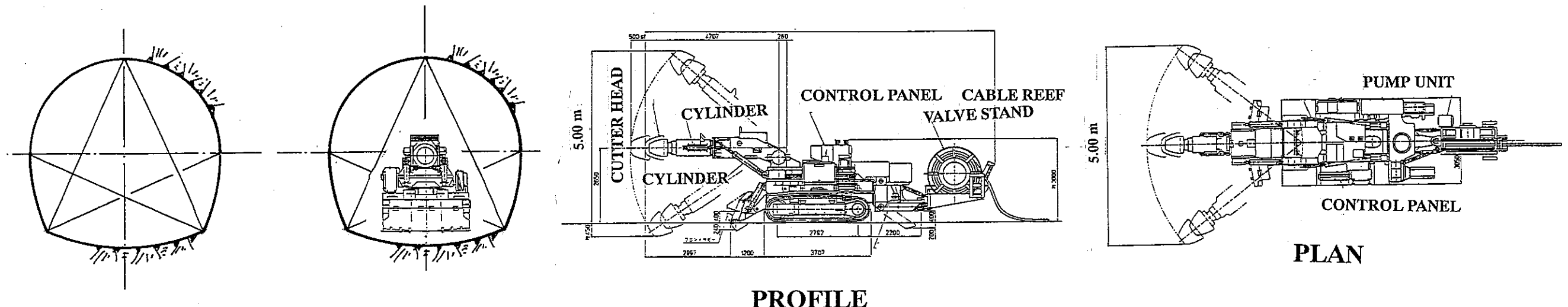


Figure 8.4.2.5 Regulating Pond

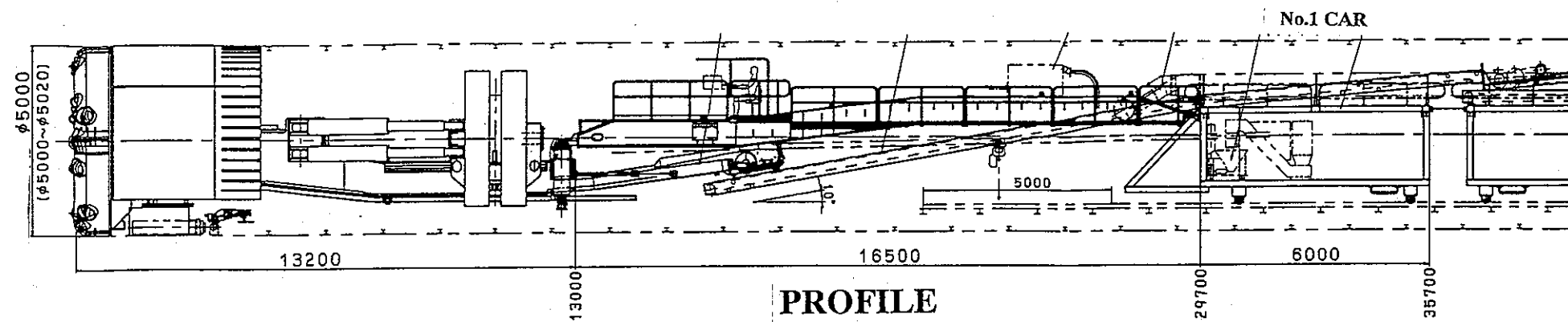


**TUNNEL BORING MACHINE ( SHIELD TYPE)**



**TUNNEL BORING MACHINE ( PARTIAL FACE MACHINE)**

Figure 8.5.2.1 Tunnel Boring Machine (1/2) (For Reference)



**TUNNEL BORING MACHINE ARRANGEMENT**

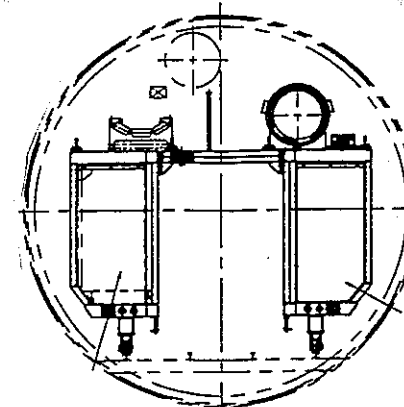
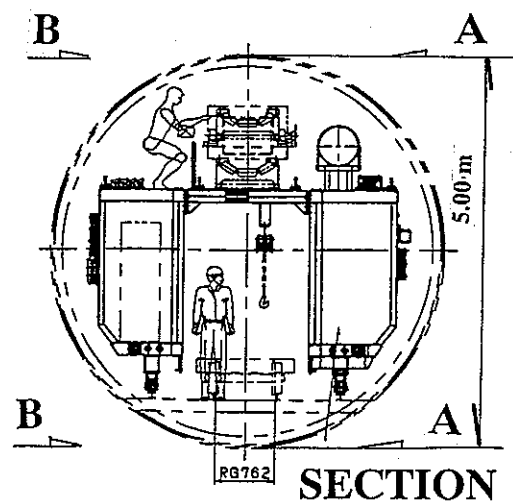
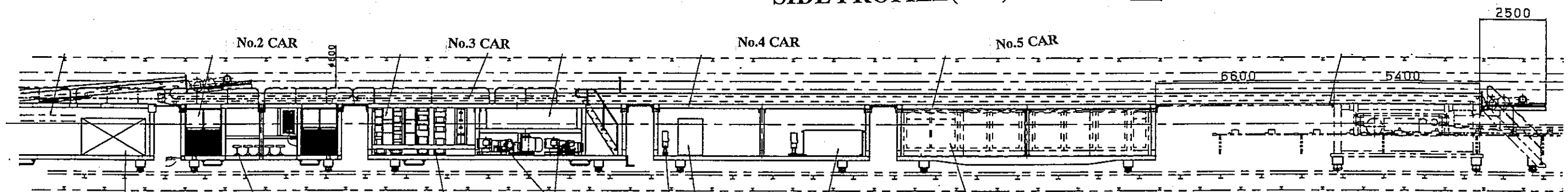
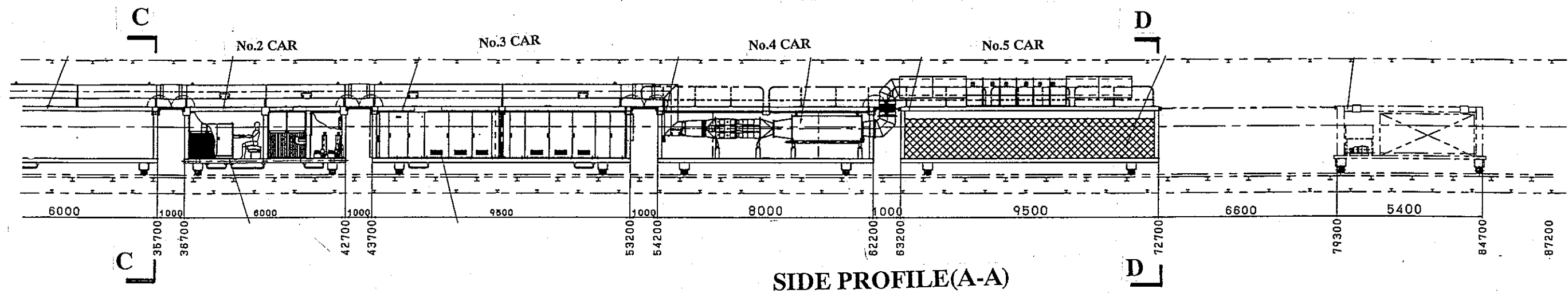
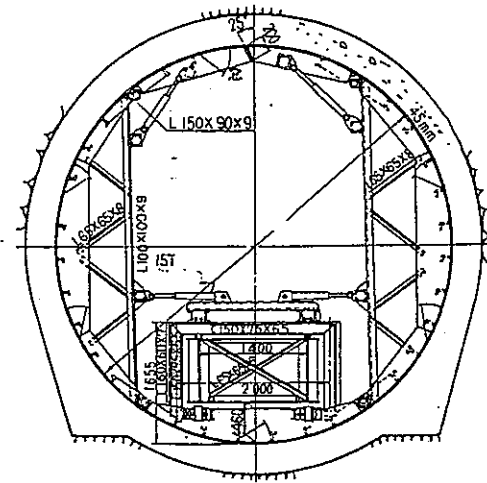
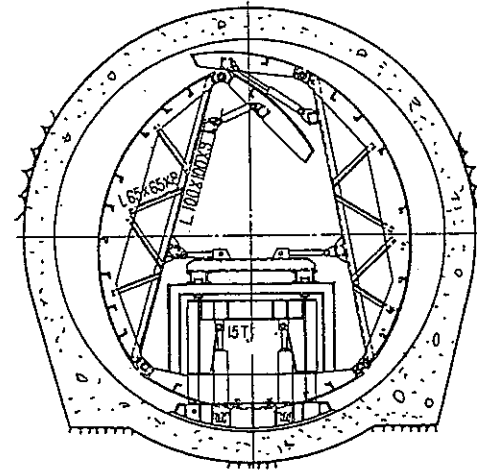


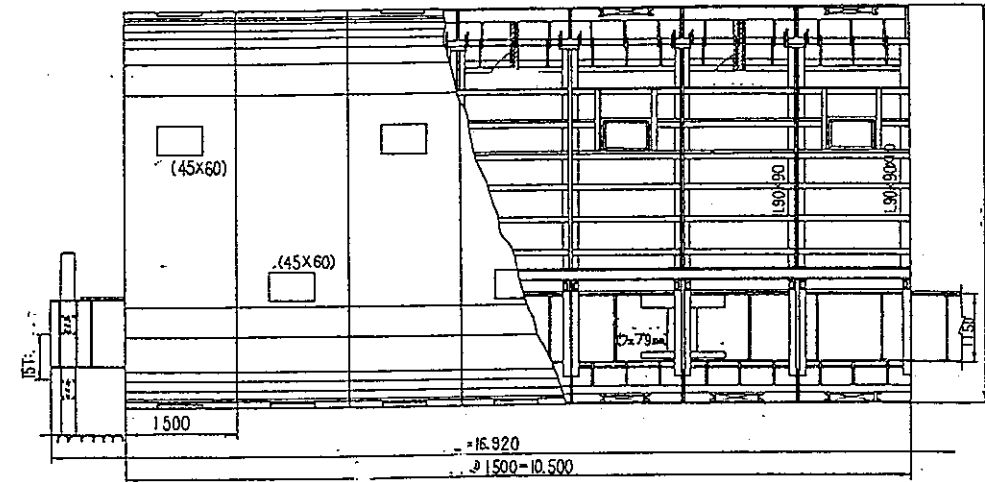
Figure 8.5.2.2 Tunnel Boring Machine (2/2) (For Reference)



SECTION FOR CONCRETING

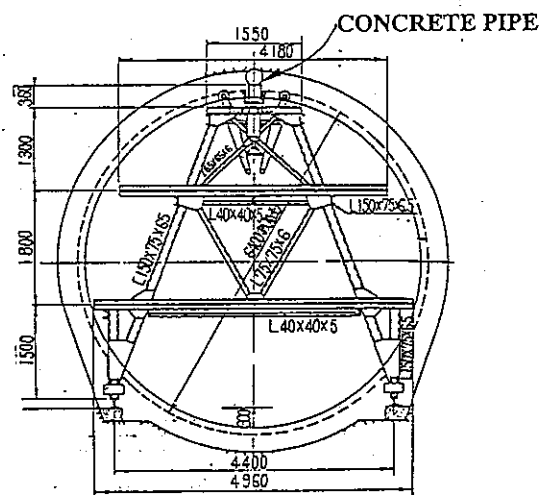


SECTION FOR SHIFTING



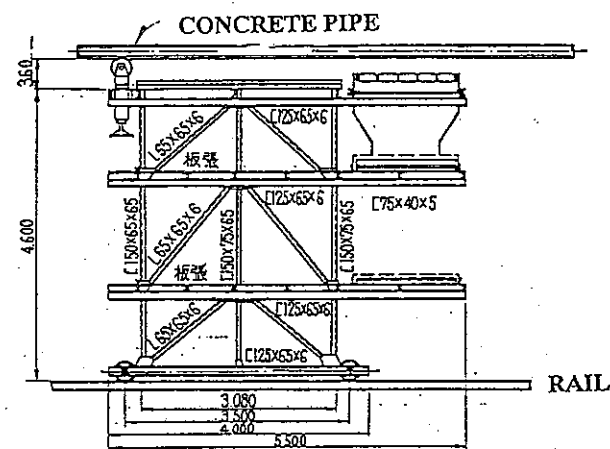
PROFILE

TUNNEL STEEL FORMWORK



SECTION

REINFORCING BAR STAND



PROFILE

Figure 8.5.2.3 Tunnel Steel Foam