

Figure 8.4.1.2 Location of Borrow Areas
Scale 1 : 50,000

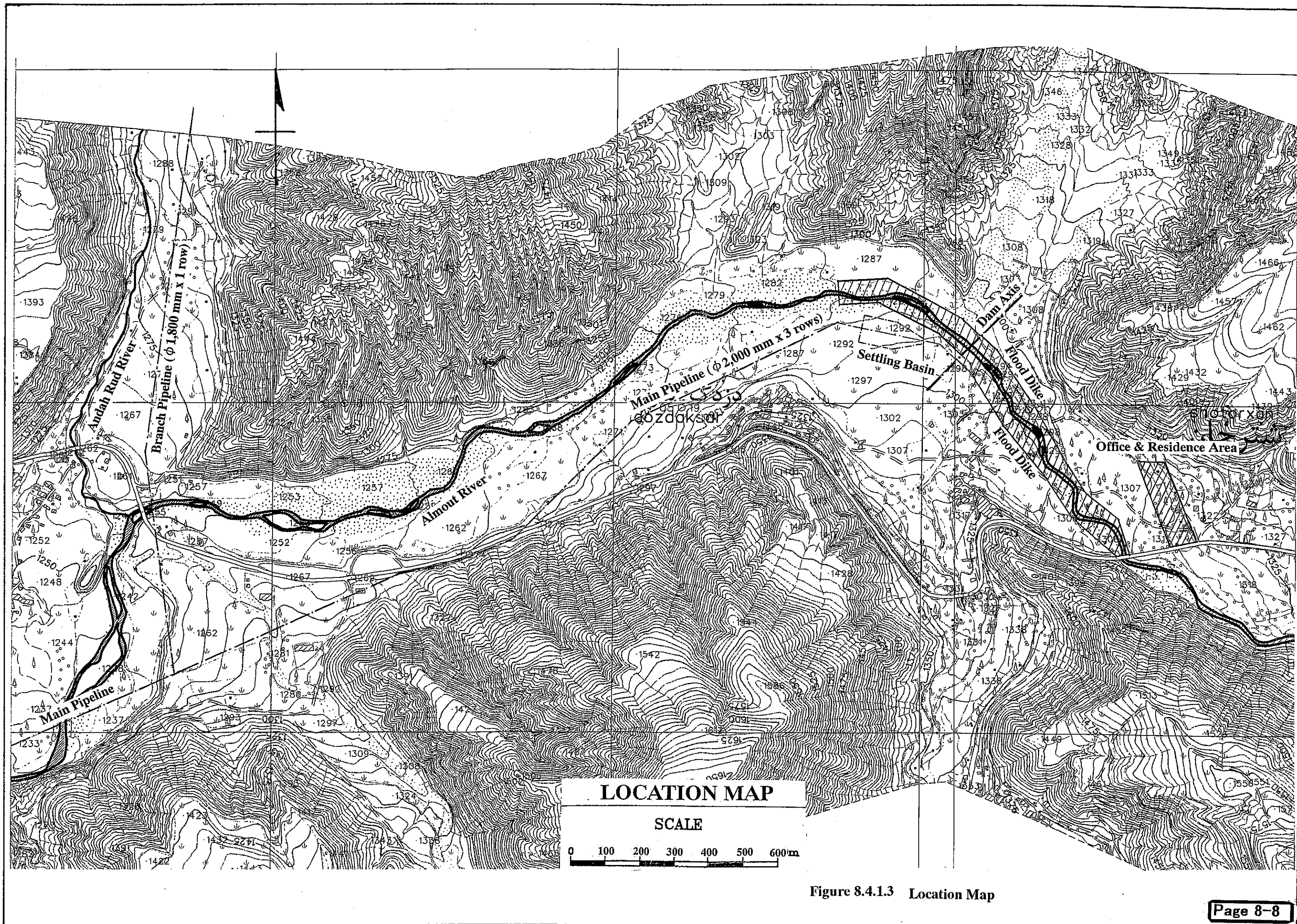
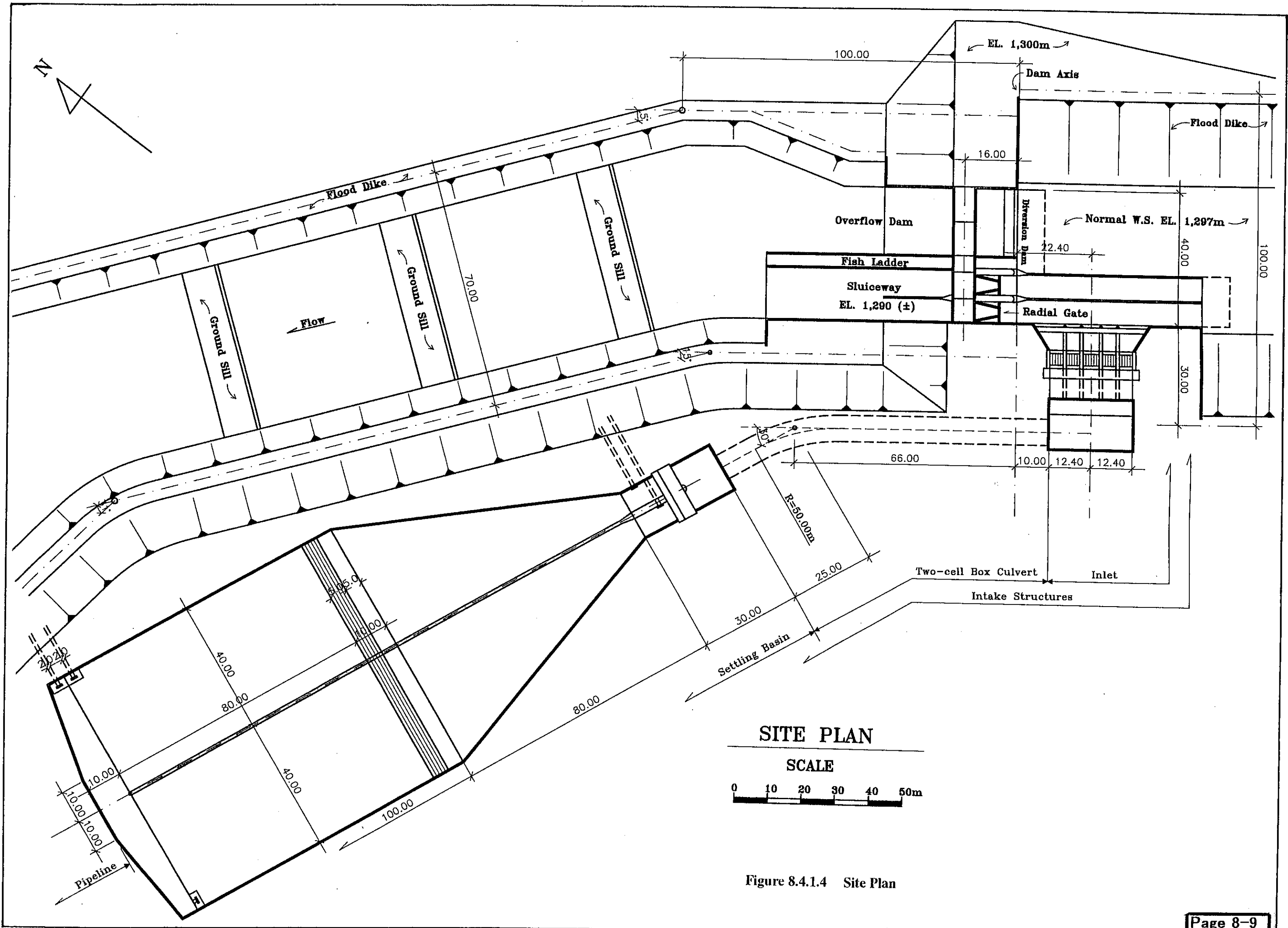


Figure 8.4.1.3 Location Map



SITE PLAN
SCALE
 0 10 20 30 40 50m

Figure 8.4.1.4 Site Plan

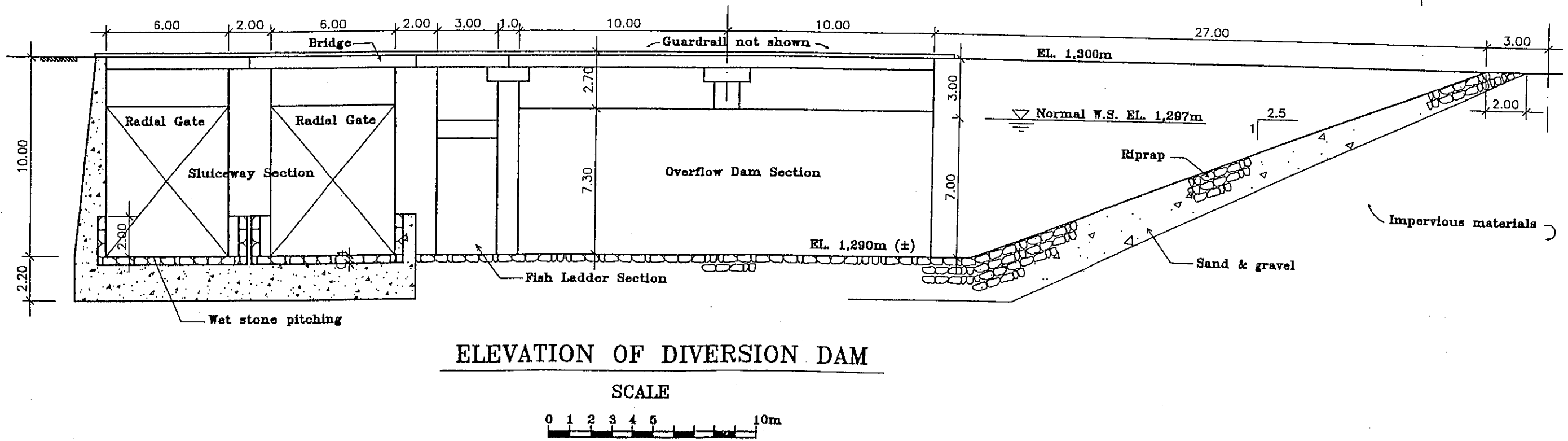
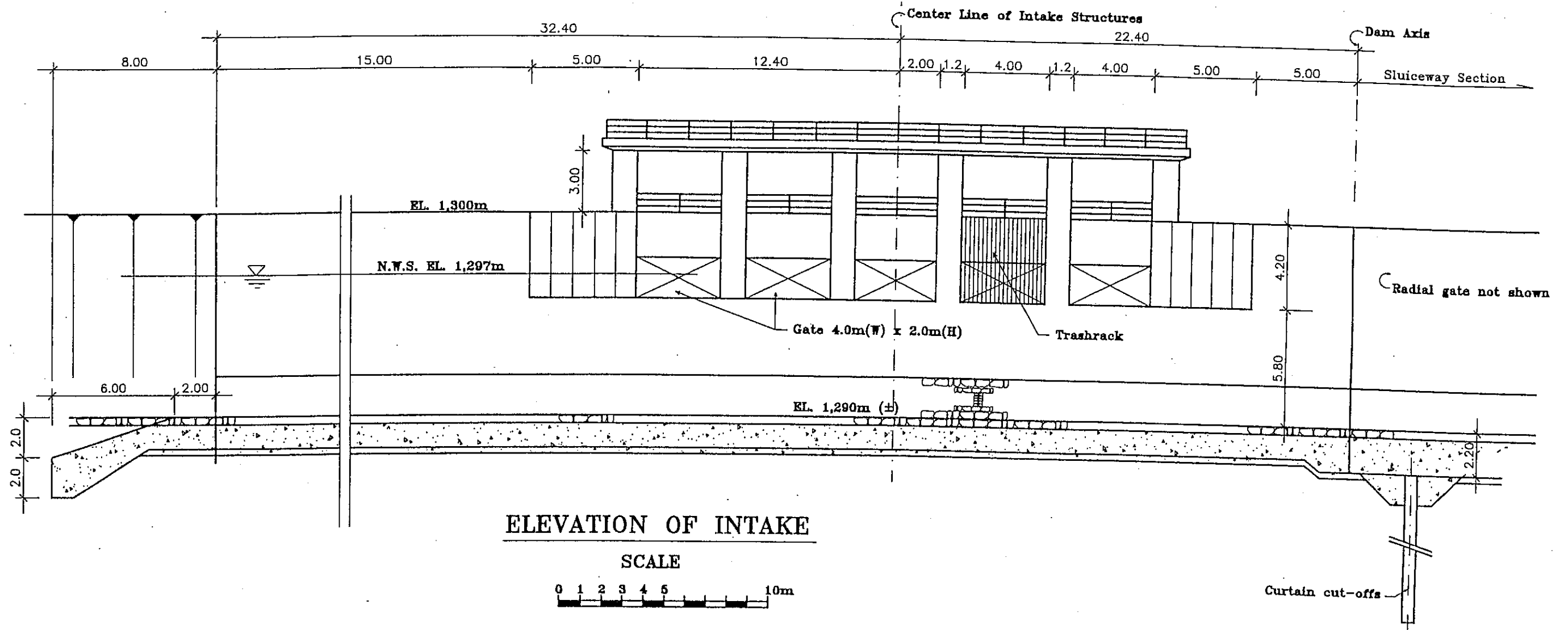


Figure 8.4.1.5 Elevation of Diversion Dam and Intake

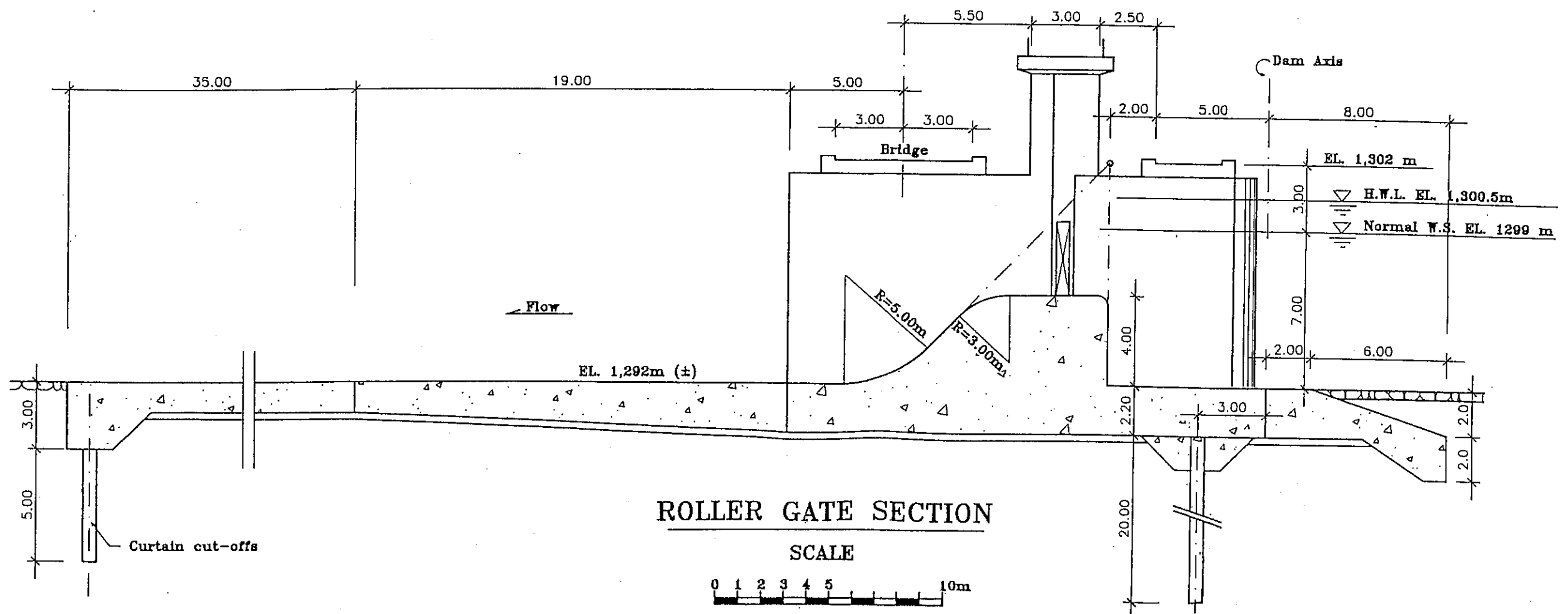
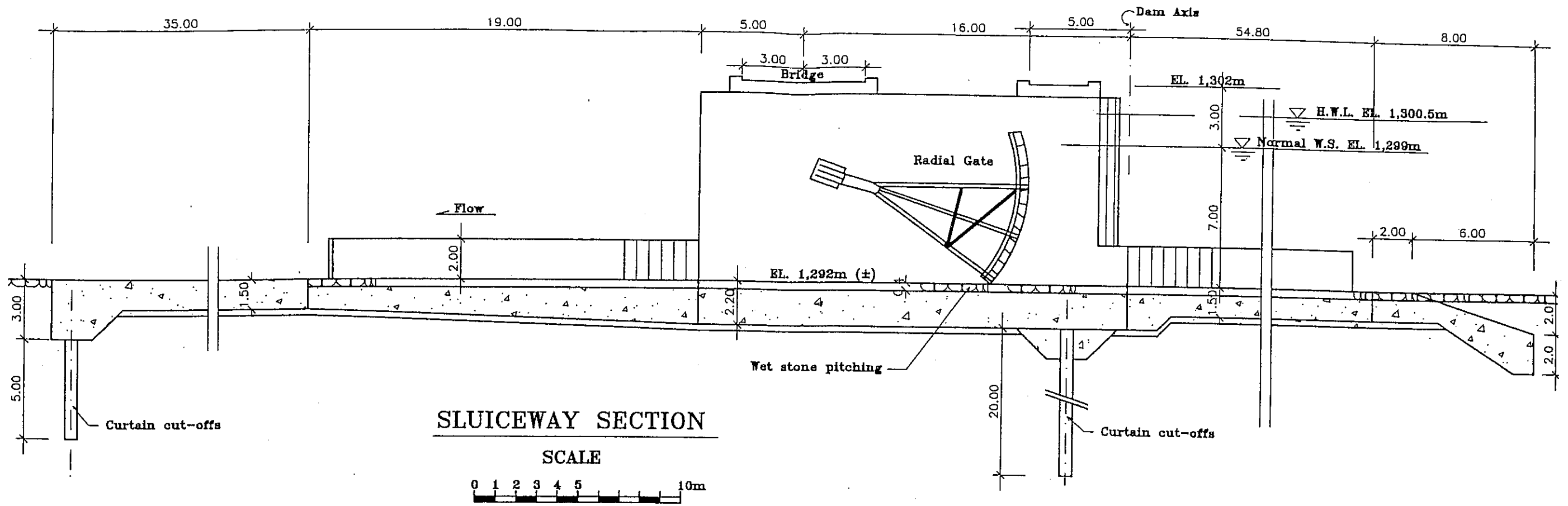


Figure 8.4.1.6 Sluiceway Section and Roller Gate Section

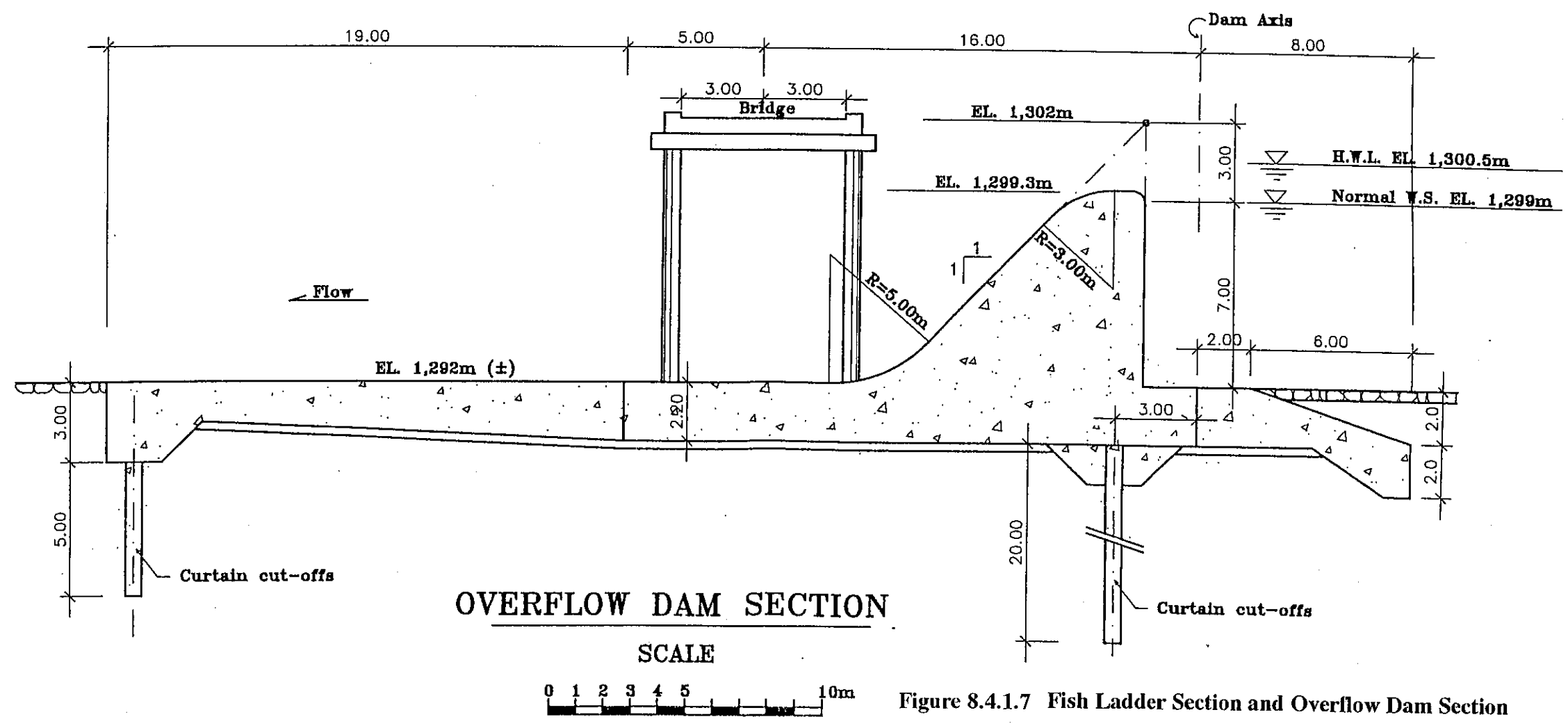
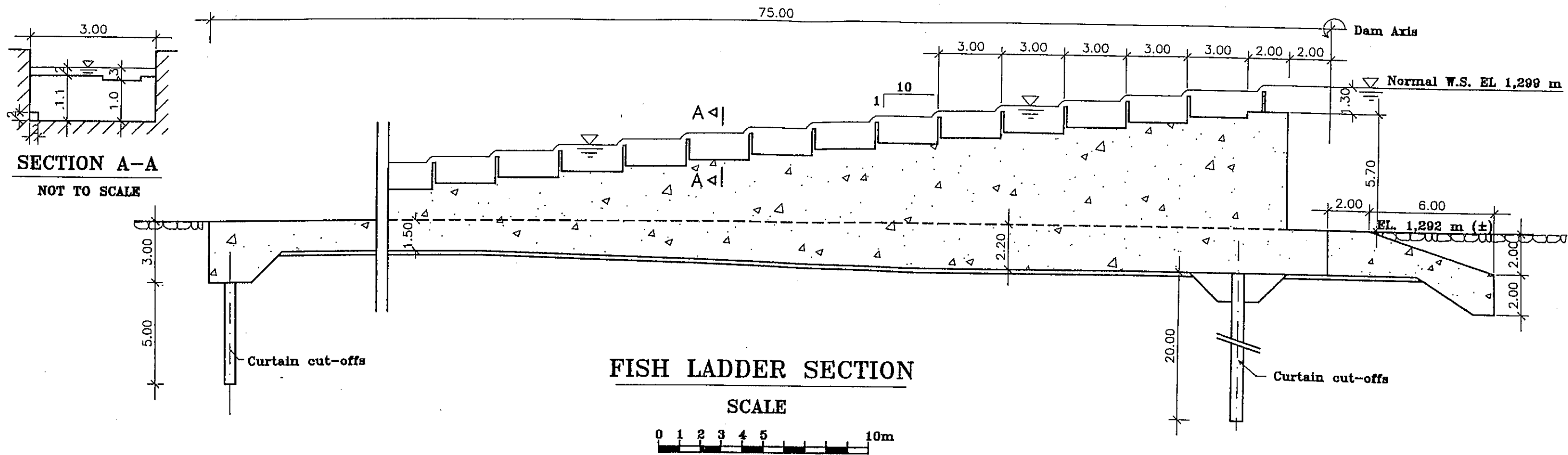
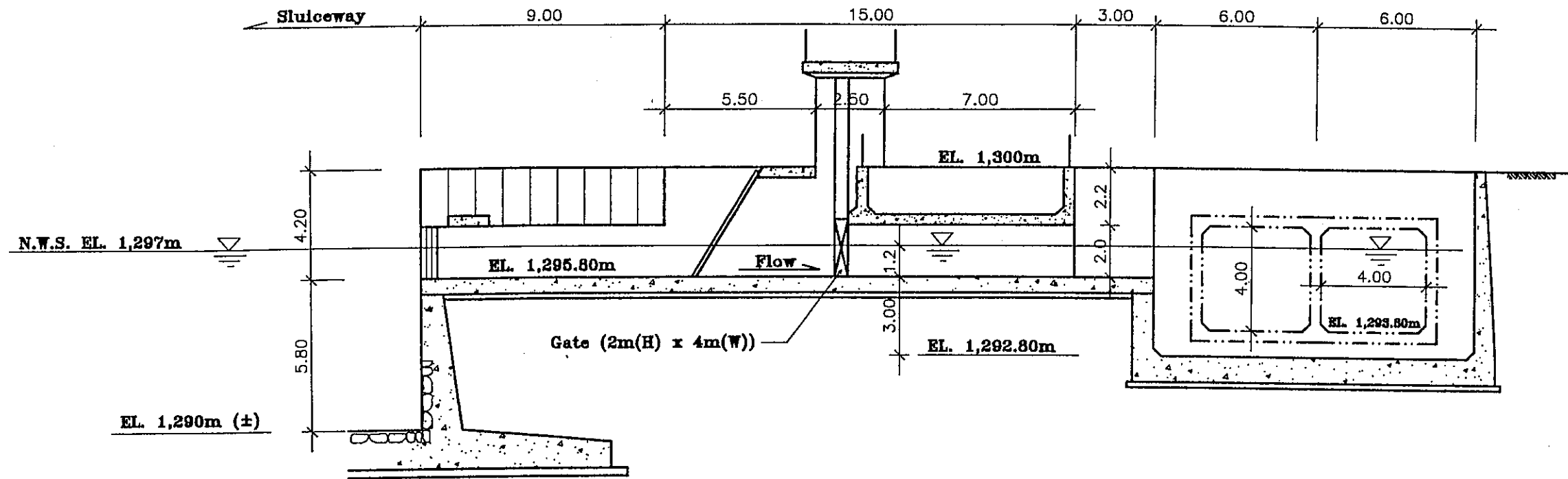
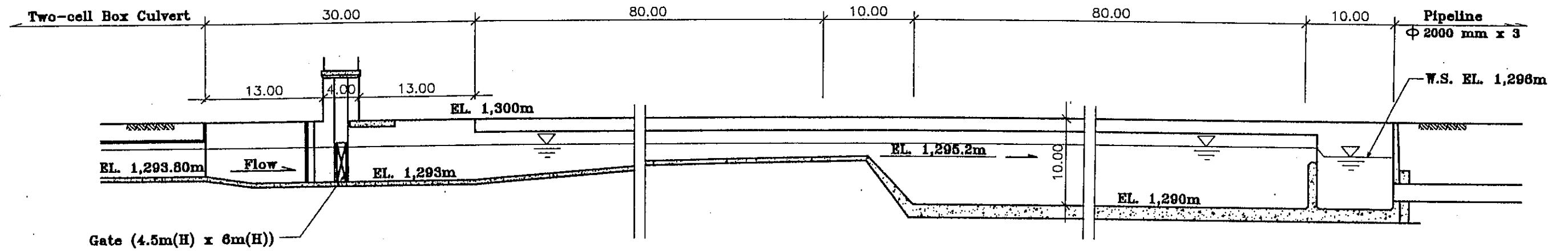


Figure 8.4.1.7 Fish Ladder Section and Overflow Dam Section



PROFILE OF INLET

SCALE



PROFILE OF SETTLING BASIN

SCALE



Figure 8.4.1.8 Profiles of Intake and Settling Basin

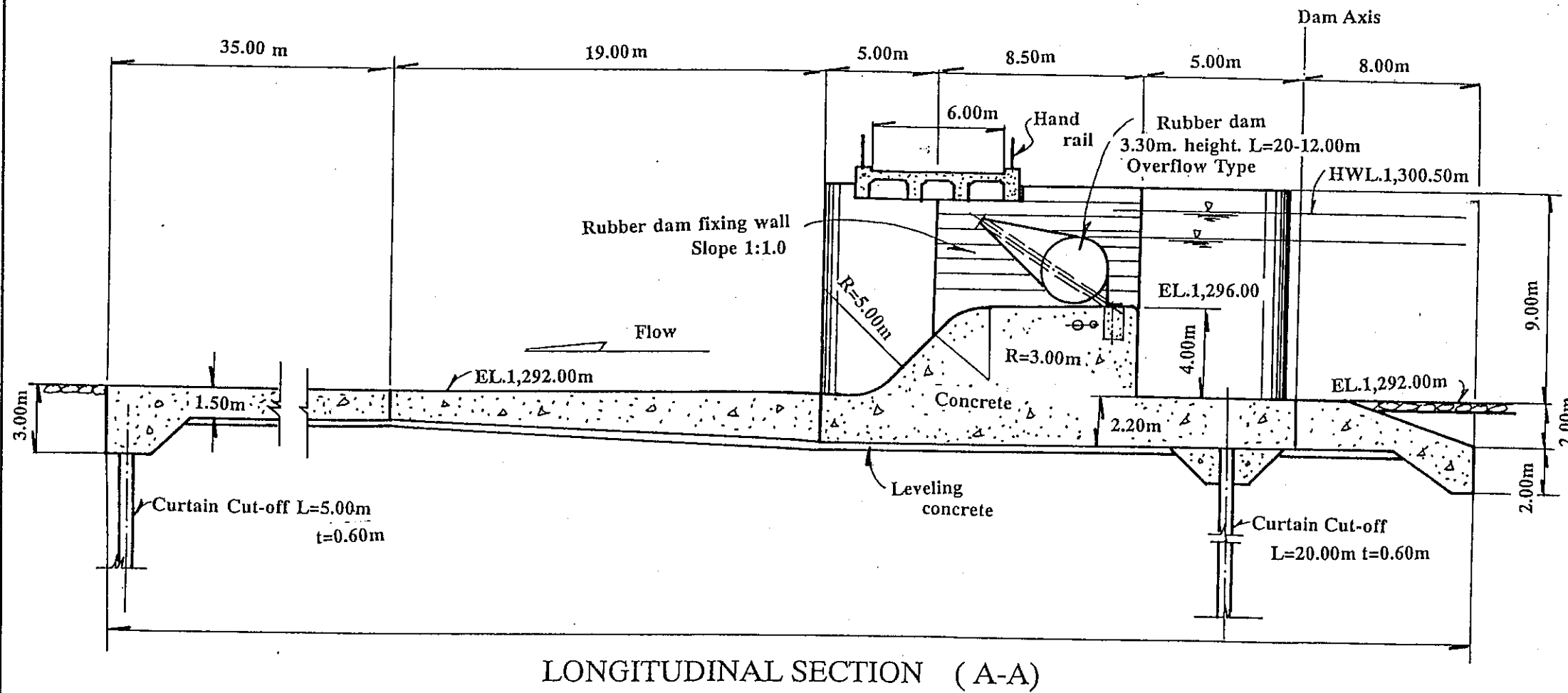
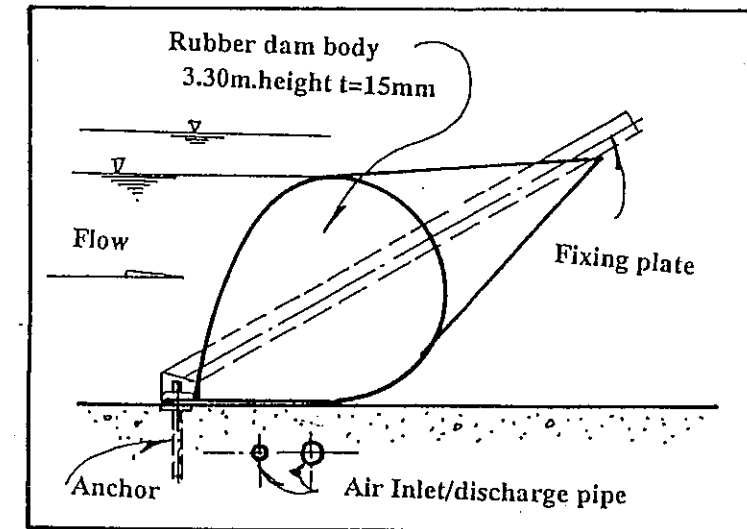
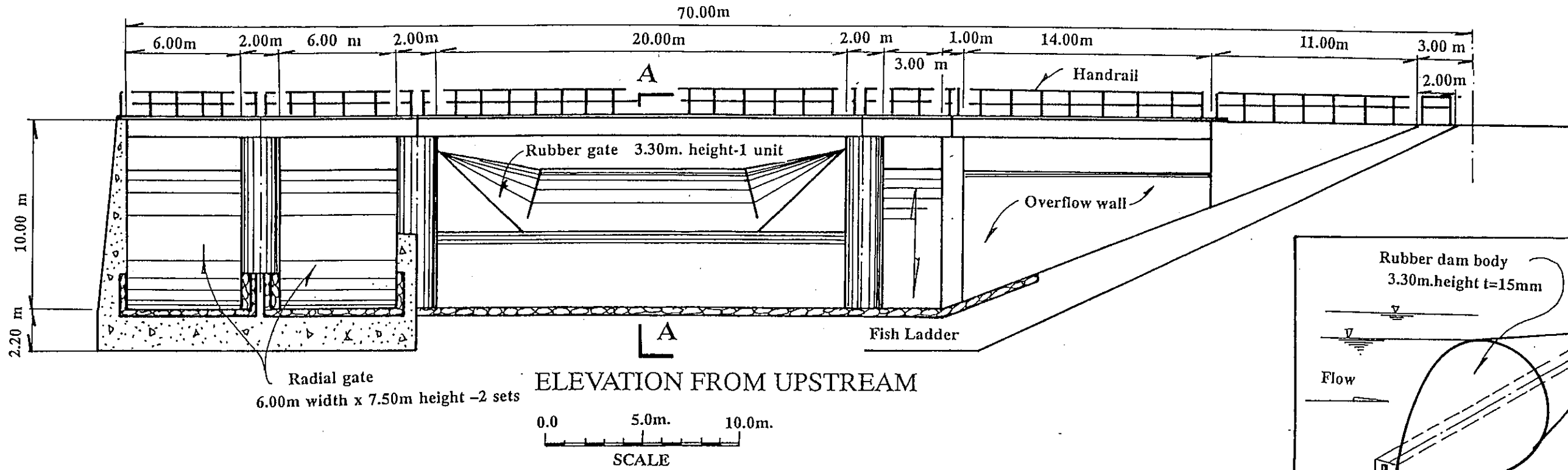


Figure 8.4.1.9 Alternative Spillway Plan (Rubber Dam Plan)

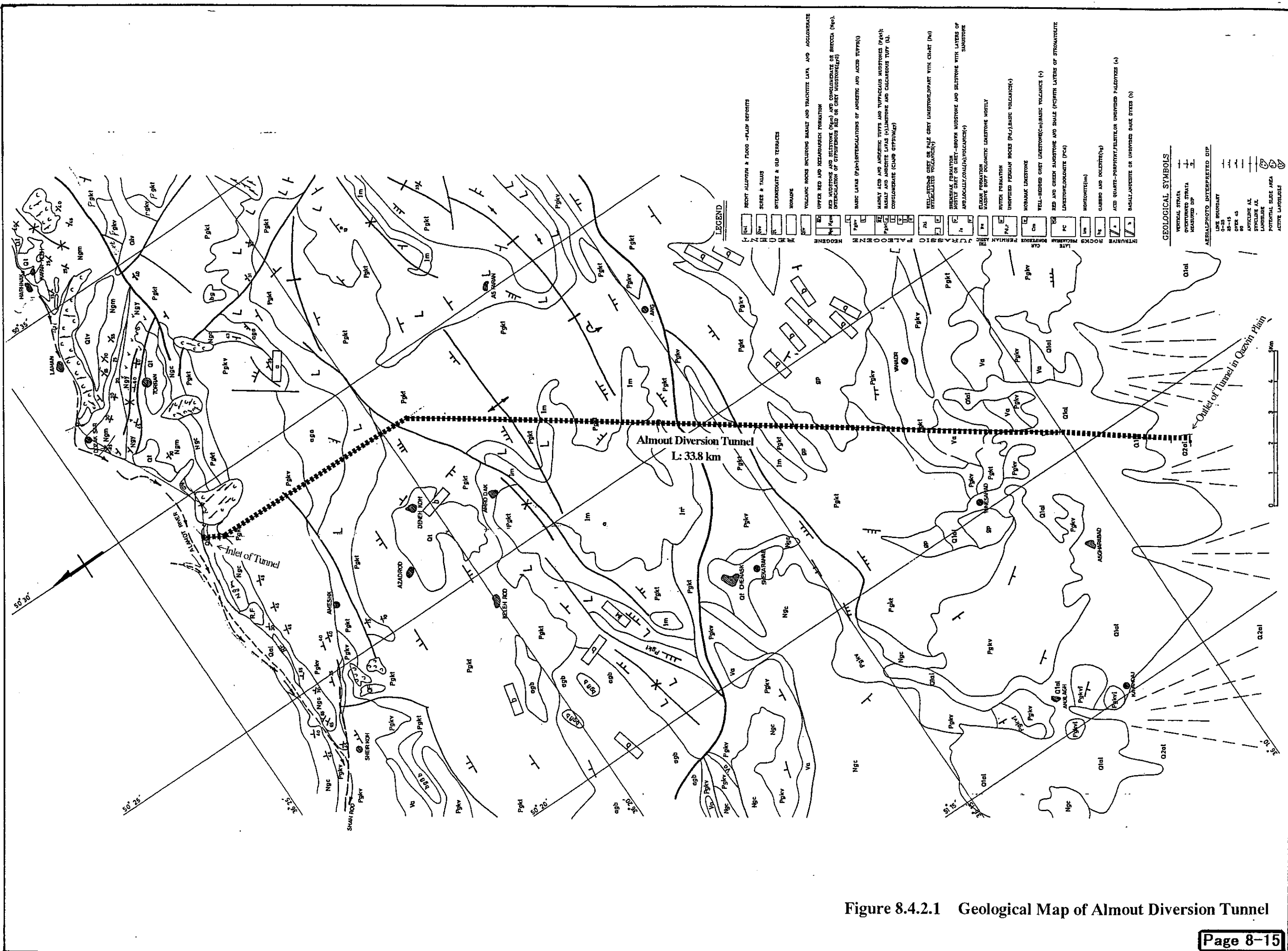


Figure 8.4.2.1 Geological Map of Almut Diversion Tunnel