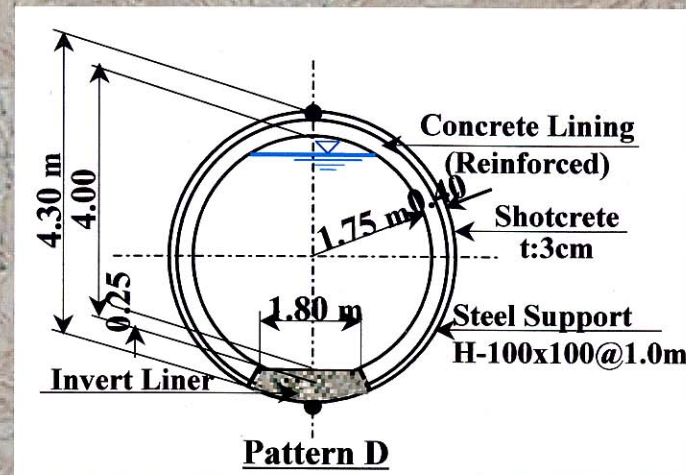
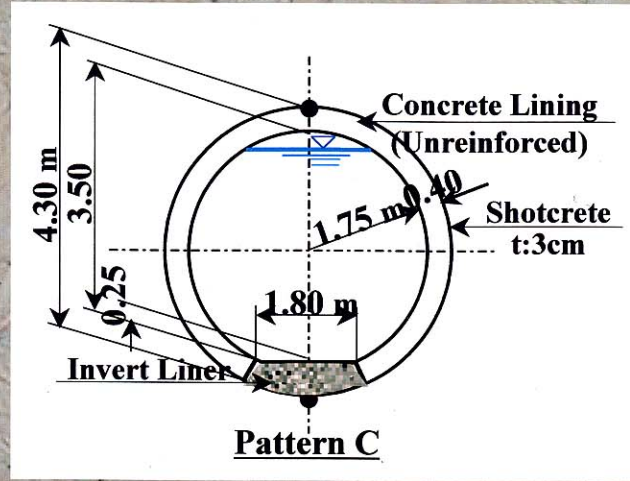
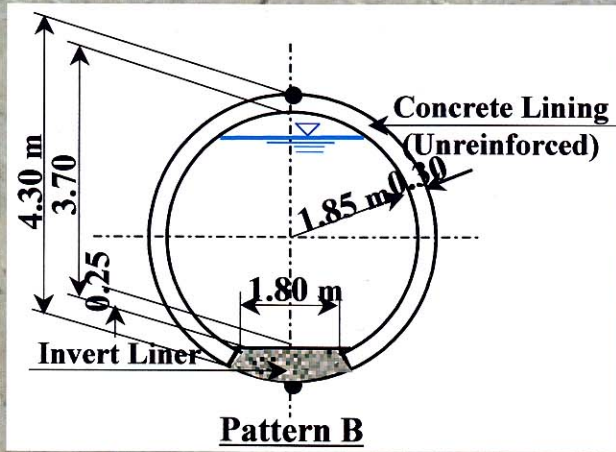


Chapter 6. Water Resources and Water Conveyance Development Project		
No.	Title of Drawings/Figures/Tables	Page
6.1.2.1	Karaj Water Development	6-1
6.1.3.1	Taleghan Water Development	6-2
6.3.1	Existing North Qazvin Irrigation Project	6-3
6.3.2	Existing Karaj Irrigation Project	6-4
6.3.3	Existing Kordan Irrigation Project	6-5

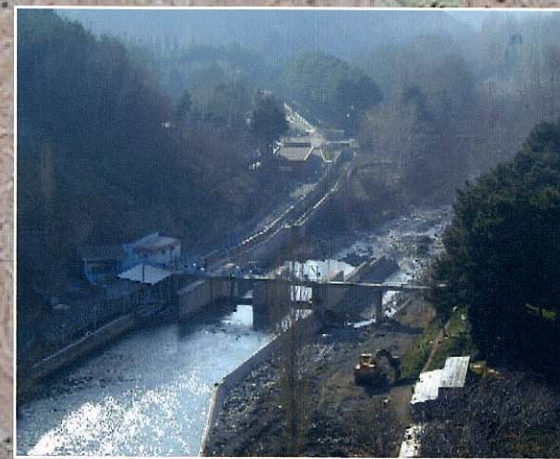
Figure 6.1.2.1 Karaj Water Development

To No.6 W.T.P



Karaj Diversion Tunnel
 $Q_{max}: 12 \text{ m}^3/\text{sec}$, D: 3.5 m, L: 23 km

Pipeline
 $Q_{max}: 12 \text{ m}^3/\text{sec}$



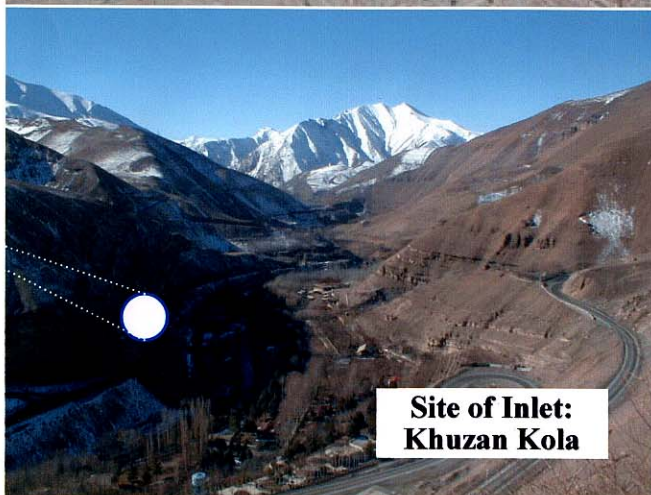
Karaj Dam

Site of Inlet:
Khuzan Kola

Bileghan Diversion Dam

To No.2 W.T.P
 D: 2 m x 2, $Q_{max}: 10 \text{ m}^3/\text{sec}$

To No.1 W.T.P
 D: 1 m x 2, $Q_{max}: 3 \text{ m}^3/\text{sec}$

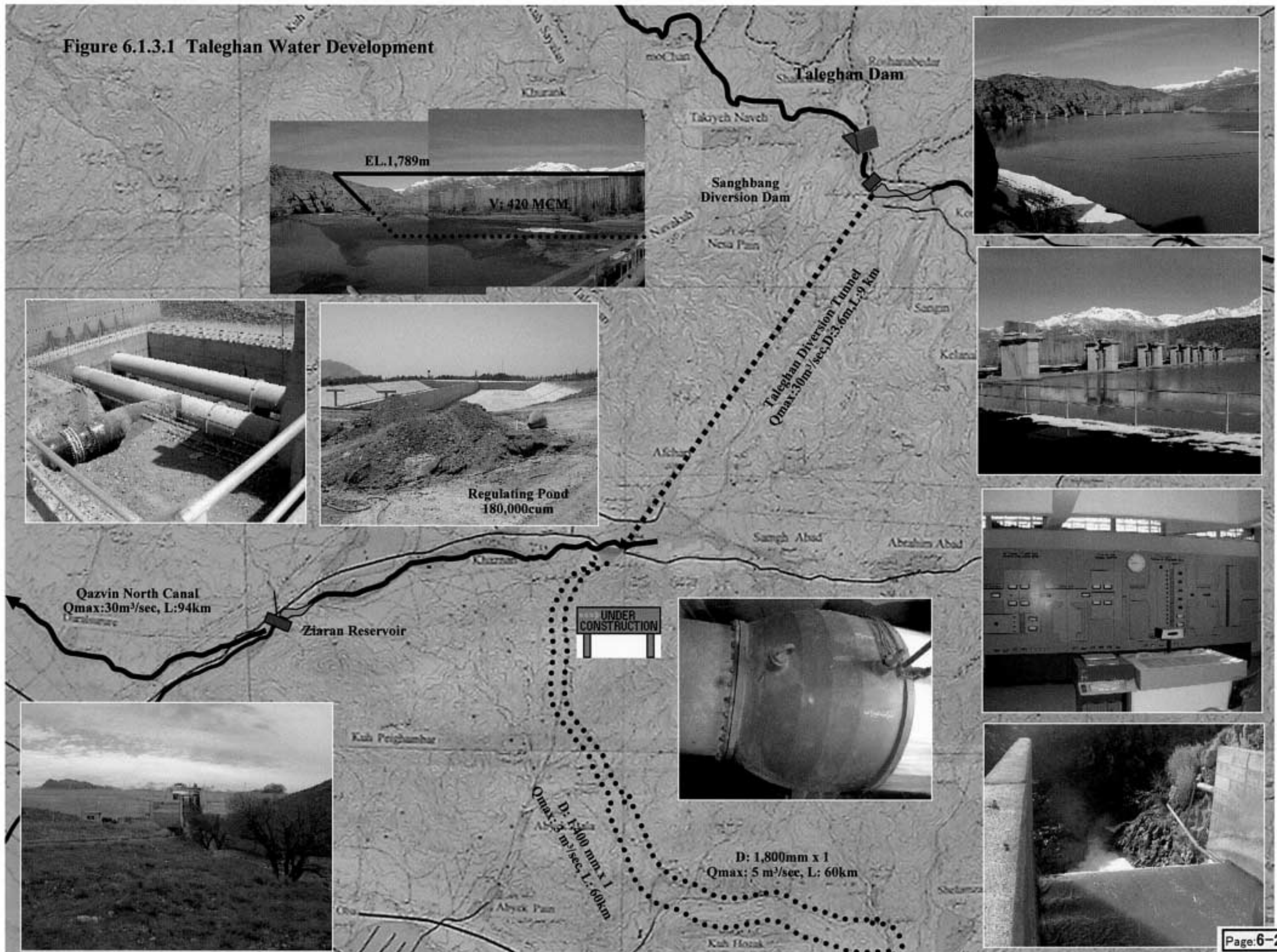


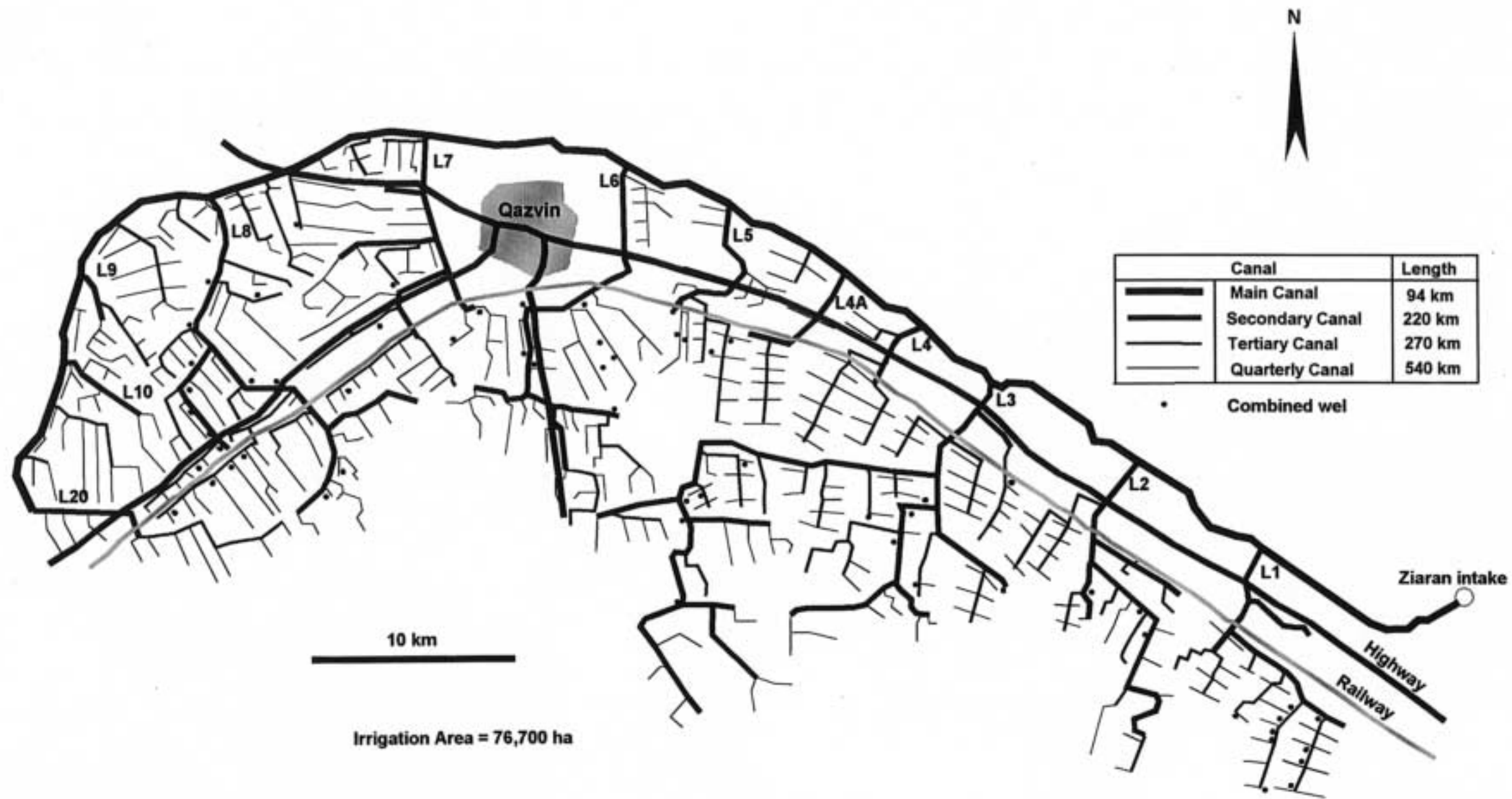
Site of Inlet:
Khuzan Kola



D: 1.8m, $Q_{max}: 5.0 \text{ m}^3/\text{sec}$, L: 60km

Figure 6.1.3.1 Taleghan Water Development





Inventory of Qazvin North Canal Network

Canal network	Quantity	Remarks
Irrigation area	76,700 ha	
Number of farm household	10,172	
Main canal	94 km	30 - 3 m ³ /s
Secondary canal	220 km	7.4 - 0.6 m ³ /s, 12 canals
Tertiary and Quarterly Canal	810 km	
Appurtenant facilities	Regulator, Check , Turn-out (269) Bridge, Drop, Others (1,041)	
Number of combined well	63	

Source : Inventory Survey (2000)

Figure 6.3.1 Existing North Qazvin Irrigation Project